



- GB ENGLISH
- FR FRANÇAIS
- DE DEUTSCH
- IT ITALIANO
- ES ESPAÑOL

OPERATOR'S MANUAL MANUEL D'UTILISATION BEDIENUNGSANLEITUNG MANUALE PER L'OPERATORE MANUAL DE INSTRUCCIONES DPB-600

WARNING



READ THE INSTRUCTIONS CAREFULLY AND FOLLOW THE RULES FOR SAFE OPERATION. FAILURE TO DO SO COULD RESULT IN SERIOUS INJURY.

AVERTISSEMENT



LIRE ATTENTIVEMENT LES INSTRUCTIONS ET SUIVRE LES RÈGLES DE SÉCURITÉ. LE NON-RESPECT DES RÈGLES DE SÉCURITÉ ENTRAÎNE UN RISQUE DE BLESSURE GRAVE.

WARNUNG



LESEN SIE DIE BEDIENUNGSANLEITUNG SORGFÄLTIG DURCH, UND BEFOLGEN SIE DIE SICHERHEITSGESAMEN. ANDERNFALLS BESTEHT DAS RISIKO SCHWERER VERLETZUNGEN.

AVVERTENZA



LEGGERE E SEGUIRE ATTENTAMENTE LE ISTRUZIONI PER LAVORARE IN CONDIZIONI DI MASSIMA SICUREZZA. LA MANCATA OSSERVANZA DELLE ISTRUZIONI POTREBBE PROVOCARE LESIONI GRAVI.

ADVERTENCIA



LEA ATENTAMENTE LAS INSTRUCCIONES Y SIGA LAS INDICACIONES PARA UN FUNCIONAMIENTO SEGURO. DE NO HACERLO, PODRÍA SUFRIR LESIONES GRAVES.





GB ENGLISH
(Original instructions)

OPERATOR'S MANUAL

RECHARGEABLE POWER BLOWER

DPB-600



WARNING

READ THE INSTRUCTIONS CAREFULLY AND FOLLOW THE
RULES FOR SAFE OPERATION.
FAILURE TO DO SO COULD RESULT IN SERIOUS INJURY.

Important information

Please ensure that you read the operator's manual before using your product.

○ Intended use of this product

- ♦ ECHO Rechargeable Power Blower are designed for blowing away dust of various sorts, including fallen leaves.
- ♦ Do not use this tool for anything other than its intended purpose.

○ Users of the product

- ♦ You should not use this product until you have read the operator's manual carefully and fully understand its content.
- ♦ This product should not be used by anyone who has failed to read the operator's manual properly, is suffering from a cold, tiredness or otherwise in poor physical condition, or children.
- ♦ Keep in mind that the operator or user is responsible for accidents or hazards occurring to other people or their property.

○ About your operator's manual

- ♦ This manual contains necessary information about the operation and maintenance of your product. Please read it carefully and understand its contents.
- ♦ Always keep your manual in a place where it is readily accessible.
- ♦ If you have lost your manual or it is damaged and no longer readable, please purchase a new one from your ECHO DEALER.
- ♦ The units used in this manual are SI units (International System of Units). Figures in parentheses are reference values, and there may be a slight conversion error in some cases.

○ Loaning or assigning your product

- ♦ When loaning the product described in this manual to another party, ensure that the person borrowing and working with the product receives the operator's manual along with the product. If you assign your product to another party, please enclose the operator's manual with the product when handing it over.

○ Enquiries

- ♦ Please contact your ECHO DEALER for requests regarding information about your product, the purchase of consumables, repairs, and other such enquiries.

○ Notices

- ♦ The content of this manual may be changed without notice for the purpose of upgrades to the product. Some of the illustrations used may differ from the product itself in order to make the explanations clearer.
- ♦ This product requires the assembly of some parts.
- ♦ Please consult your ECHO DEALER if anything is unclear or of concern.

Manufacturer

YAMABIKO CORPORATION

7-2 SUEHIROCHO 1-CHOME, OHME, TOKYO 198-8760, JAPAN

Authorized Representative in Europe

Atlantic Bridge Limited

Atlantic House, PO Box 4800, Earley, Reading RG5 4GB, United Kingdom

Contents

For safe use of your product.....	4
Warning notices	4
Other indicators	4
Symbols.....	4
Location in which the safety decal is attached.....	5
Handling the product	6
Packing list.....	12
Description.....	13
Before you start	14
Assembly	14
Starting and Stopping	18
Starting the unit	18
Stopping the unit.....	18
Operation	19
Operating blower	19
Maintenance and care	21
Servicing guidelines.....	21
Maintenance and care	21
Troubleshooting table	22
Storage	23
Disposal.....	24
Specifications.....	25
Declaration of conformity	26

For safe use of your product

Be careful to read this section before using your product.




○ The precautions described in this section contain important safety information. Please observe them carefully.

○ You must also read the precautions that appear in the body of the manual itself.

Text following a [diamond mark] mark describes the potential consequences of failing to observe the precaution.


Warning notices

Situations where there is a risk of physical injury to the operator and other people are indicated in this manual and on the product itself by the following warning notices. Always read and observe them carefully in order to ensure safe operation.

 DANGER	 WARNING	 CAUTION
This symbol accompanied by the word " DANGER " calls attention to an act or a condition which will lead to serious personal injury or death of operators and bystanders.	This symbol accompanied by the word " WARNING " calls attention to an act or a condition which can lead to serious personal injury or death of operators and bystanders.	" CAUTION " indicates a potentially hazardous situation which, if not avoided, may result in minor or moderate injury.











Other indicators

As well as warning notices, this manual uses the following explanatory symbols:





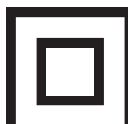

	Circle and slash symbol means whatever is shown is prohibited.	NOTE	IMPORTANT
		This enclosed message provides tips for use, care and maintenance of the product.	Framed text featuring the word " IMPORTANT " contains important information about the use, checking, maintenance and storage of the product described in this manual.

Symbols

In this manual and on the product itself, a series of explanatory symbols is used. Please make sure that you fully understand what each symbol means.

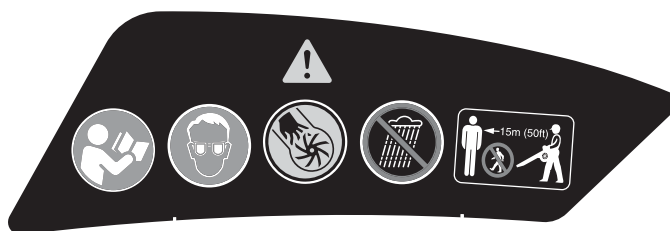
Symbol form/shape	Symbol description/application	Symbol form/shape	Symbol description/application
	Carefully read the operator's manual		Wear eye protection
	Safety / Alert		Finger severing
	Beware of electric shocks		Beware of high-temperature areas
	Stop		Slow speed
	Never use in the rain or at damp locations		Fast speed

For safe use of your product

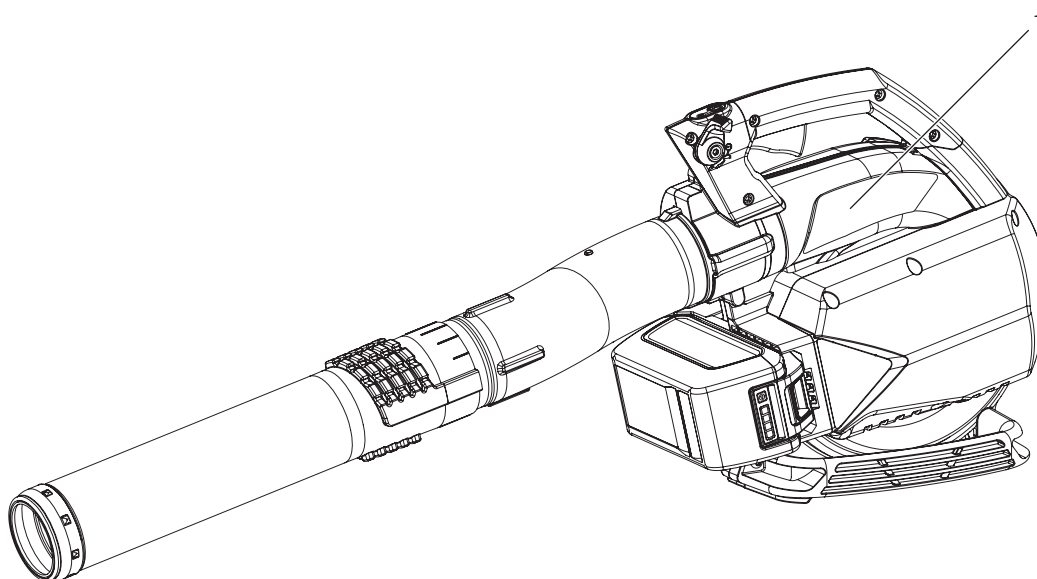
Symbol form/shape	Symbol description/applica- tion	Symbol form/shape	Symbol description/applica- tion
	Keep bystanders away 15 m		Environmental protection!
	Guaranteed sound power level		Volts
	Class II tool		Direct current

Location in which the safety decal is attached

- The safety decal shown below has been attached to the product described in this manual. Ensure that you understand what the decal means before using your product.
- If the decal becomes illegible due to wear and tear, damage, or peels off, please purchase a replacement decal from your dealer and attach it in the location shown in the illustration below. Ensure that the decal is readable at all times.



1. Safety decal (Part number X505008910)



For safe use of your product

Handling the product General Power Tool Safety Warnings

WARNING

Read all safety warnings and all instructions.

Failure to follow the warnings and instructions may result in electric shock, fire and/or serious injury.

Save all warnings and instructions for future reference.

The term "power tool" in the warnings refers to your mains-operated (corded) power tool or battery-operated (cordless) power tool.

Work area safety

- **Keep work area clean and well lit.**
- ◆ Cluttered or dark areas invite accidents.
- **Do not operate power tools in explosive atmospheres, such as in the presence of flammable liquids, gases or dust.**
- ◆ Power tools create sparks which may ignite the dust or fumes.
- **Keep children and bystanders away while operating a power tool.**
- ◆ Distractions can cause you to lose control.

Electrical safety

- **Power tool plugs must match the outlet. Never modify the plug in any way. Do not use any adapter plugs with earthed (grounded) power tools.**
- ◆ Unmodified plugs and matching outlets will reduce risk of electric shock.
- **Avoid body contact with earthed or grounded surfaces such as pipes, radiators, ranges and refrigerators.**
- ◆ There is an increased risk of electric shock if your body is earthed or grounded.
- **Do not expose power tools to rain or wet conditions.**
- ◆ Water entering a power tool will increase the risk of electric shock.
- **Do not abuse the cord. Never use the cord for carrying, pulling or unplugging the power tool. Keep cord away from heat, oil, sharp edges or moving parts.**
- ◆ Damaged or entangled cords increase the risk of electric shock.
- **When operating a power tool outdoors, use an extension cord suitable for outdoor use.**
- ◆ Use of a cord suitable for outdoor use reduces the risk of electric shock.
- **If operating a power tool in a damp location is unavoidable, use a ground fault circuit interrupter (GFCI) protected supply.**
- ◆ Use of an GFCI reduces the risk of electric shock.

Personal safety

- **Stay alert, watch what you are doing and use common sense when operating a power tool. Do not use a power tool while you are tired or under the influence of drugs, alcohol or medication.**
- ◆ A moment of inattention while operating power tools may result in serious personal injury.
- **Use personal protective equipment. Always wear eye protection.**
- ◆ Protective equipment such as dust mask, non-skid safety shoes, hard hat, or hearing protection used for appropriate conditions will reduce personal injuries.
- **Prevent unintentional starting. Ensure the switch is in the off-position before connecting to power source and/or battery pack, picking up or carrying the tool.**
- ◆ Carrying power tools with your finger on the switch or energising power tools that have the switch on invites accidents.
- **Remove any adjusting key or wrench before turning the power tool on.**
- ◆ A wrench or a key left attached to a rotating part of the power tool may result in personal injury.
- **Do not overreach. Keep proper footing and balance at all times.**
- ◆ This enables better control of the power tool in unexpected situations.
- **Dress properly. Do not wear loose clothing or jewellery. Keep your hair, clothing and gloves away from moving parts.**
- ◆ Loose clothes, jewellery or long hair can be caught in moving parts.
- **If devices are provided for the connection of dust extraction and collection facilities, ensure these are connected and properly used.**
- ◆ Use of dust collection can reduce dust-related hazards.

The vibration emission during actual use of the power tool can differ from the declared total value depending on the ways in which the tool is used; and of the need to identify safety measures to protect the operator that are based on an estimation of exposure in the actual conditions of use (taking account of all parts of the operating cycle such as the times when the tool is switched off and when it is running idle in addition to the trigger time).

For safe use of your product

WARNING

Power tool use and care

- **Do not force the power tool. Use the correct power tool for your application.**
- ◆ The correct power tool will do the job better and safer at the rate for which it was designed.
- **Do not use the power tool if the switch does not turn it on and off.**
- ◆ Any power tool that cannot be controlled with the switch is dangerous and must be repaired.
- **Disconnect the plug from the power source and/or the battery pack from the power tool before making any adjustments, changing accessories, or storing power tools.**
- ◆ Such preventive safety measures reduce the risk of starting the power tool accidentally.
- **Store idle power tools out of the reach of children and do not allow persons unfamiliar with the power tool or these instructions to operate the power tool.**
- ◆ Power tools are dangerous in the hands of untrained users.
- **Maintain power tools. Check for misalignment or binding of moving parts, breakage of parts and any other condition that may affect the power tool's operation. If damaged, have the power tool repaired before use.**
- ◆ Many accidents are caused by poorly maintained power tools.
- **Keep cutting tools sharp and clean.**
- ◆ Properly maintained cutting tools with sharp cutting edges are less likely to bind and are easier to control.
- **Use the power tool, accessories and tool bits etc. in accordance with these instructions, taking into account the working conditions and the work to be performed.**
- ◆ Use of the power tool for operations different from those intended could result in a hazardous situation.

Battery tool use and care

- **Recharge only with the charger specified by the manufacturer.**
- ◆ A charger that is suitable for one type of battery pack may create a risk of fire when used with another battery pack.
- **Use power tools only with specifically designated battery packs.**
- ◆ Use of any other battery packs may create a risk of injury and fire.
- **When battery pack is not in use, keep it away from other metal objects, like paper clips, coins, keys, nails, screws or other small metal objects, that can make a connection from one terminal to another.**
- ◆ Shorting the battery terminals together may cause burns or a fire.
- **Under abusive conditions, liquid may be ejected from the battery; avoid contact. If contact accidentally occurs, flush with water. If liquid contacts eyes, additionally seek medical help.**
- ◆ Liquid ejected from the battery may cause irritation or burns.

Service

- **Have your power tool serviced by a qualified repair person using only identical replacement parts.**
- ◆ This will ensure that the safety of the power tool is maintained.

For safe use of your product

General precautions

WARNING

Operator's manual

- Be careful to read the operator's manual properly before using your product in order to ensure correct operation.
- ◆ Failure to do so could lead to an accident or serious injury.



Do not use the product for anything other than its intended purpose

- You must not use the product for any purpose other than those described in the operator's manual.
- ◆ To do so could lead to an accident or serious injury.

Do not modify the product

- You must not modify the product.
- ◆ To do so could lead to an accident or serious injury. Any malfunction resulting from a modification to the product will not be covered by the manufacturer's warranty.

Do not use the product unless it has been checked and maintained

- You must not use the product unless it has been checked and maintained. Always ensure that the product is checked and maintained on a regular basis.
- ◆ Failure to do so could lead to an accident or serious injury.

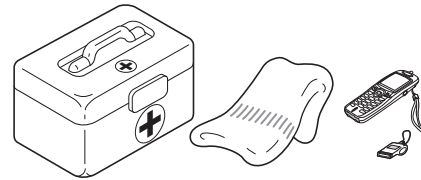
Loaning or assigning your product

- When loaning your product to another party, ensure that the person borrowing the product receives the operator's manual along with it.
- If you assign your product to another party, please enclose the operator's manual with the product when handing it over.
- ◆ Failure to do so could lead to an accident or serious injury.

Being prepared in case of an injury

In the unlikely event of an accident or injury, please ensure that you are prepared.

- First aid kit
- Towels and wipes (to stop any bleeding)
- Whistle or mobile phone (for calling outside help)
- ◆ If you are unable to perform first aid or call for outside help, the injury could worsen.



For safe use of your product

Precautions for use

WARNING

Users of the product

The product should not be used by:

- people who are tired
- people who have taken alcohol
- people who are on medication
- people who are pregnant
- people who are in poor physical condition
- people who have not read the operator's manual
- children

◆ Failure to observe these instructions could lead to an accident.

- This product generates electromagnetic fields during operation. Magnetic fields can cause pacemaker interference or pacemaker failure. To reduce health risks, we recommend that pacemaker users consult their physician and the pacemaker manufacturer before operating this product.



Environment of use and operation

- Do not use the product

- ◆ in damp or wet locations.
- ◆ in the rain.
- ◆ under poor weather conditions.

◆ To do so could lead to an accident or serious injury.

- Do not use the product in places where there is no sure foothold, such as on steep slopes or after rainfall, as such places are slippery and dangerous.

- Do not operate the product at night or in dark places with poor visibility.

◆ A serious injury could result if you fall or slip, or fail to operate the product correctly.



The area within a 15 m radius is a danger zone

The area within a 15 m radius of the product is a danger zone. Be careful to observe the following precautions while working with the product.

- Do not allow children and other people or pets to enter the danger zone.
- If another person enters the danger zone, turn off the unit to stop.
- When approaching the operator, signal to him by, for example, throwing twigs from outside the danger zone, and then check that unit has been turned off.
- If more than one person is working with the product, identify the way in which you will signal to each other and work at least 15 m apart.

◆ Thrown objects could cause serious injury to the operator or bystanders.

Using the product

When using the product, pay special attention to observe the following precautions.

- Do not point the blower pipe at people or pets.
- Do not use the product in places where there is no sure foothold.
- Hold the handle tightly.
- Avoid using the product late at night or early in the morning so that the neighbors will not be disturbed by noise.

◆ Failure to observe these instructions could lead to an accident or injury.

Turn off the unit when moving around

When moving around in the situations described below, turn off the unit and move.

- Moving to the place where you are working.
- Moving to another area while you are working.
- Leaving the place where you have been working.
- ◆ Failure to observe these precautions could cause burns or serious injury.
- When transporting the product by car, remove the battery, and secure it firmly in place to prevent it from moving around.

Be careful not to get caught in the fan

- Be careful not to get your hair caught in the fan.

◆ The wind suction from the fan could make your hand and anything being caught in the fan, resulting in a serious injury.

Vibration and cold

It is believed that a condition called Raynaud's Phenomenon which affects the fingers of certain individuals may be brought about by exposure to vibration and cold. Exposure to vibration and cold may cause tingling and burning, followed by loss of colour and numbness in the fingers. The following precautions are strongly recommended because the minimum exposure which might trigger the ailment is unknown.

- Keep your body warm, especially the head and neck, feet and ankles, and hands and wrists.
- Maintain good blood circulation by performing vigorous arm exercises during frequent work breaks, and also by not smoking.
- Limit the number of hours of operation.
Try to fill each day with jobs where operating the blower or other hand-held power equipment is not required.
- If you experience discomfort redness and swelling of the fingers, followed by whitening and loss of feeling, consult your physician before exposing yourself further to cold and vibration.

◆ Failure to observe these instructions could result in damage to your health.

For safe use of your product

WARNING

Repetitive stress injuries

It is believed that over-using the muscles and tendons of the fingers, hands, arms and shoulders may cause soreness, swelling, numbness, weakness and extreme pain to the areas just mentioned. Certain repetitive hand activities may put you at a high risk for developing a repetitive stress injury (RSI).

To reduce the risk of RSI, do the following:

- Avoid using your wrist in a bent, extended or twisted position.
- Take periodic breaks to minimize repetition and rest your hands. Reduce the speed and force in which you do the repetitive movement.
- Do exercises to strengthen hand and arm muscles.
- See a doctor if you feel tingling, numbness or pain in your fingers, hands, wrists or arms. The sooner RSI is diagnosed, the more likely permanent nerve and muscle damage can be prevented.
- ◆ Failure to observe these instructions could result in damage to your health.

Instructions to disconnect the battery

- Whenever the machine is left by the user.
- Before clearing a blockage.
- Before checking, cleaning or working on the machine.
- After striking a foreign object to inspect the machine for damage.
- If the machine starts to vibrate abnormally, for immediately check.
- ◆ An accident could occur if the product starts unexpectedly.

Turn off the unit immediately if anything goes wrong

- Turn off the unit immediately if the product suddenly starts to emit abnormal sounds or vibrate abnormally. The product cannot be used when it suffers from abnormal vibration or sounds.
Contact your ECHO DEALER for repair.
- ◆ Continuing to use parts when they are damaged could lead to an accident or serious injury.

Turn off the unit when checking or maintaining the product

Observe the following precautions when checking and maintaining your product after use:

- Turn off the unit, remove battery, and make sure all moving parts have come to a complete stop.
- ◆ An accident could occur if the product starts unexpectedly.
- Allow unit to cool before performing service.
- ◆ You could burn yourself.

For safe use of your product

Protective gear

WARNING

Wear protective gear

○ **Wear appropriate work clothes and protective gear when working with the power blower. Above all, make sure to wear safety goggles and dust mask at all times while working.**

◆ Without the protective gear, you could inhale the debris or dust blown away or get them in your eyes, which could lead to an accident or injury.

a Safety goggles: Protect the eyes

b Dust mask: Breathing protection

c Safety gloves: Protect the hands from cold and vibration

d Trim fitting clothes (long sleeves, long trousers): Protect the body

e Sturdy shoes or boots : Protect the feet

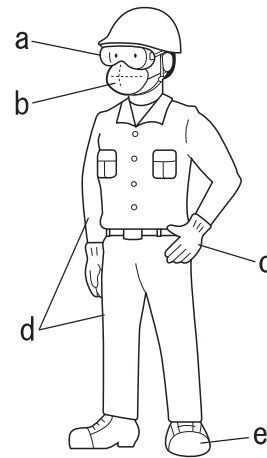
◆ Failure to observe these precautions could result in damage to your sight or hearing, or lead to a serious injury.

When necessary, please use the protective gear below.

○ **Head protection (helmet):** Protects the head

○ **Ear muffs or ear plugs:** Hearing protection

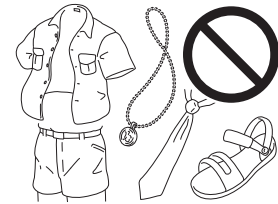
○ **Bee net:** Insect protection



Wear proper clothing

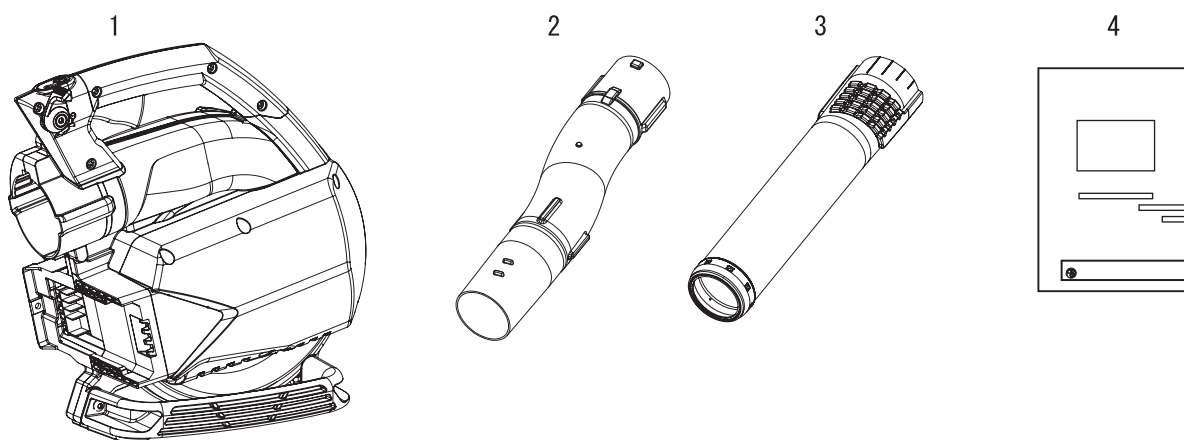
Do not wear ties, jewellery, or loose, dangling clothing which could be caught in the unit. Do not wear open toed footwear, or go bare foot or barelegged.

◆ Failure to observe these precautions could result in an accident or lead to a serious injury.

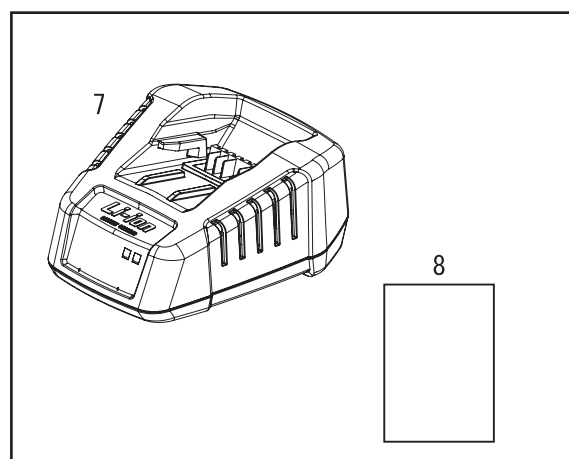
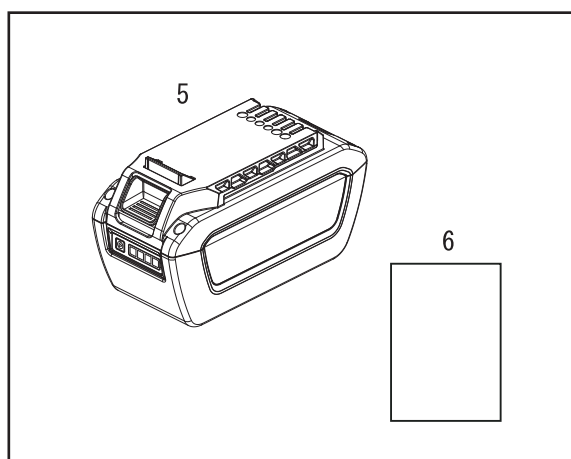


Packing list

- ♦ The following parts are packed separately in the packing box.
- ♦ When you have unpacked the box, please check the parts that it contains.
- ♦ Contact your dealer if anything is missing or broken.

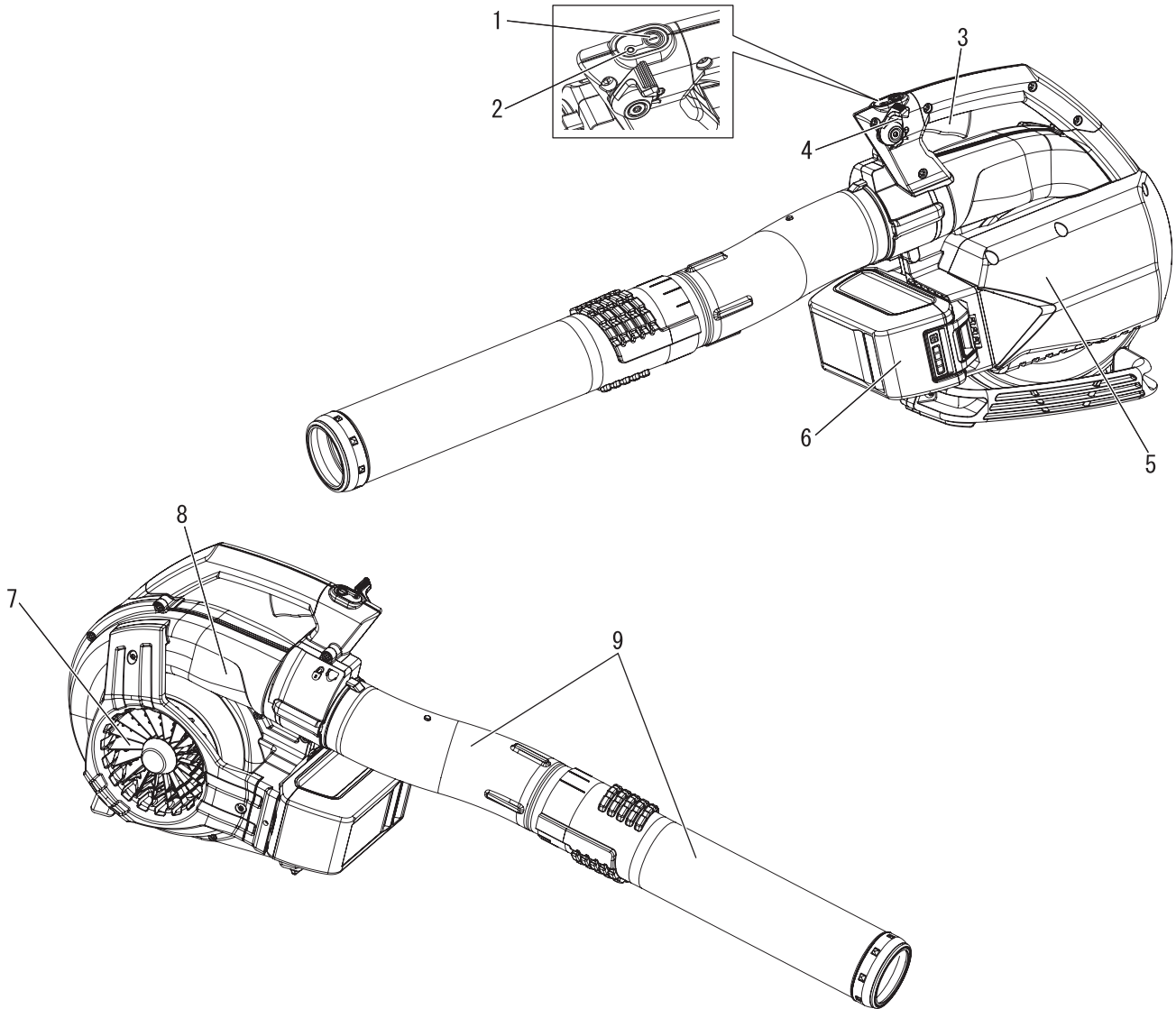


Number	Part name	Quantity
(1)	Power Head	1
(2)	Blower pipe	1
(3)	Round Straight Nozzle	1
(4)	Operator's manual	1



Number	Part name	Quantity
(5)	Battery pack	1
(6)	Operator's manual	1
(7)	Charger	1
(8)	Operator's manual	1

Description



1. **Power button** Press once to turn on power to the unit, power indicator LED illuminates. Press once more to turn power off to unit, power indicator LED turns off.
2. **Power indicator LED** Remains illuminated when power to unit is turned on. Turns off when power to unit is off.
3. **Trigger switch** Activated by the operator's finger for turning the motor on.
4. **Cruise control lever** Pull back to increase blower speed.
5. **Motor unit**

6. **Battery pack**
7. **Housing cover** Covers blower fan area.
8. **Serial number label** Lists model number and serial number of unit.
9. **Blower pipes** Exclusive positive locking system.

Before you start

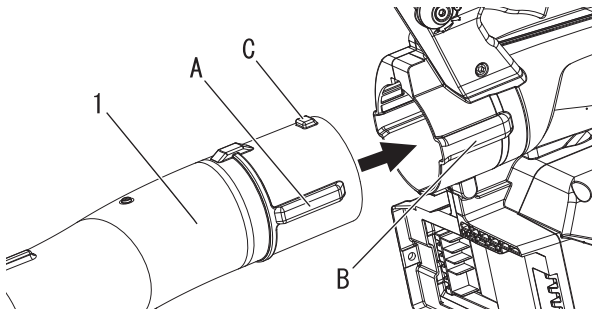
Assembly

WARNING

- Read the operator's manual carefully to ensure that you assemble the product correctly.
- Never perform maintenance or assembly procedures with unit running.
- ◆ Using a product that has been incorrectly assembled could lead to an accident or serious injury.

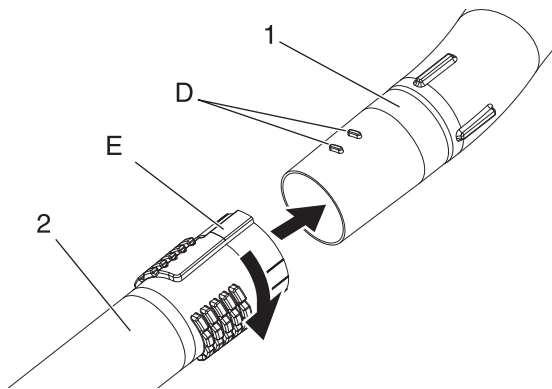


Install blower pipes



1. Blower pipe

1. Stand unit upright on blower base.
2. Align locking ribs (A) on the blower pipe with recesses (B) in fan case. Assure short locking rib (C) faces upward. Slide the blower pipe into fan case until a clicking sound is heard.



1. Blower pipe

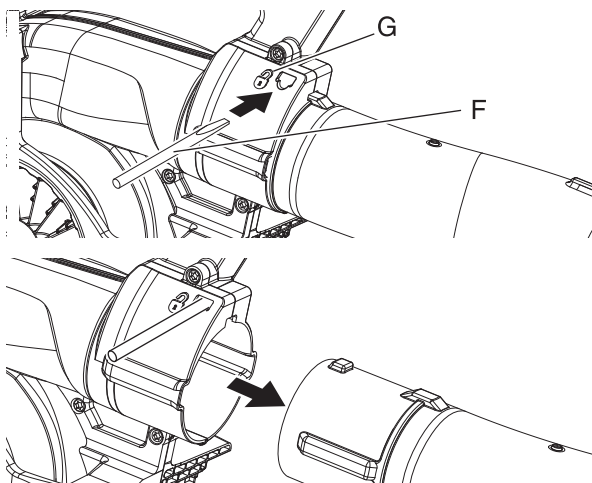
2. Round straight nozzle

3. Align tabs (D) with grooves (E) and slide the round straight nozzle over the blower pipe until there is light resistance. Do not force connection.
4. Hold the blower pipe, and turn the round straight nozzle clockwise, engaging positive locking channels until connection is firm. Do not force connection.

NOTE

Blower use will eventually loosen pipe connections. Exclusive positive locking system allows pipes to be tightened. If loosening occurs, remove the round straight nozzle and install according to instructions 3 & 4.

Remove blower pipes



1. Insert screwdriver (F) into hole located near lock symbol (G) to release pipe lock.
2. Pull pipes out of fan case.
3. Remove screwdriver.

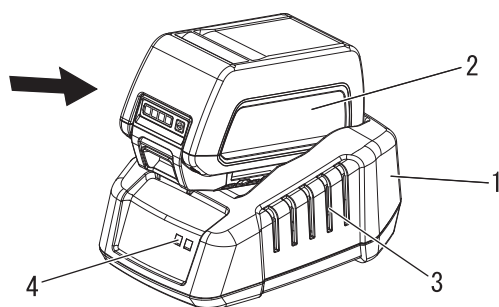
Battery charging

WARNING

- Always use battery pack LBP-560-100/LBP-560-200 and charge only with LCJQ-560 charger.
- Keep charger and battery away from damp conditions and all liquids.
- Do not operate the charger on an easily combustible surface (e.g. paper, textiles) or in an environment with a high risk of fire.
- Do not cover the charger. Covering the charger will prevent it from cooling.
- Do not operate the charger in explosive atmospheres, such as in the presence of flammable liquids, gases or dust. Chargers can produce sparks which may ignite the dust or fumes - there is a risk of explosion.
- Connect the charger only to the mains of voltage and frequency specified on the rating plate.
- Connect the charger only to an easily accessible wall outlet.
- Never insert objects in the battery pack's or charger's cooling slots.
- Do not charge or use a defective, damaged or deformed battery pack and charger.
- Do not open, damage or drop the battery pack or the charger.
- Fluid may leak from the battery if it is damaged or not used properly; avoid contact with the skin. In the event of accidental contact, wash the affected areas of the skin with plenty of water and soap. If fluid gets in the eyes, do not rub. Rinse the eyes with plenty of water for at least 15 minutes. Also seek medical assistance.
- Never bridge (short circuit) the battery pack contacts or the charger's terminals with metallic objects.
- Protect from direct sunlight, heat and open flames and never throw battery into fire; there is a risk of explosion.
- In the event of smoke or fire in the charger, disconnect it from the wall outlet immediately.
- If the connecting cord is damaged, immediately disconnect the plug from the power supply to avoid the risk of electric shock.
- Do not expose battery pack to microwaves or high pressure.
- Secure the unit against unintentional startup. Remove the battery pack from the unit before transporting or storing the unit. Do not use metal containers for transporting batteries.
- To reduce the risk of stumbling, position and mark the connecting cord in such a way that it cannot be damaged or endanger others.

NOTE

- The battery comes partially charged from the factory and needs to be fully charged before first use.
- Charge the battery when it no longer produces sufficient power to operate the unit or when battery lights indicate that the battery is low.



1. Charger
2. Battery

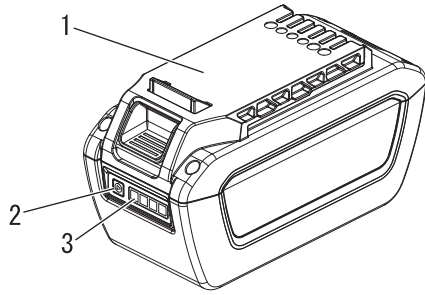
3. Cooling slots
4. Charger LED

1. Plug charger AC cord in the wall outlet.
2. Align ridges on battery with grooves on charger, and slide battery into charger.
3. During normal charging, the charger LED will blink continuously GREEN.

IMPORTANT

- If charger detects a problem, LED blinks RED. Remove battery from charger, clear obstructions from contacts and reinstall battery into charger. If battery is outside acceptable temperature range (0°C to 60°C) LED remains RED.

Before you start



- 1. Battery
- 2. Battery charge status button
- 3. LED display

4. When charging is complete, LED will remain GREEN.
 - * A fully discharged battery pack will charge in about 42 minutes. (LBP-560-100)
 - * A fully discharged battery pack will charge in about 88 minutes. (LBP-560-200)
5. Verify battery is fully charged by removing battery from charger, then pressing battery charge status button, and checking LED display.
 - ♦ One green light indicates that the battery has 0-25% charge.
 - ♦ Two green lights indicate that the battery has 25-50% charge.
 - ♦ Three green lights indicate that the battery has 50-75% charge.
 - ♦ Four green lights indicate that the battery has 75-100% charge.
6. Disconnect battery charger from power supply.

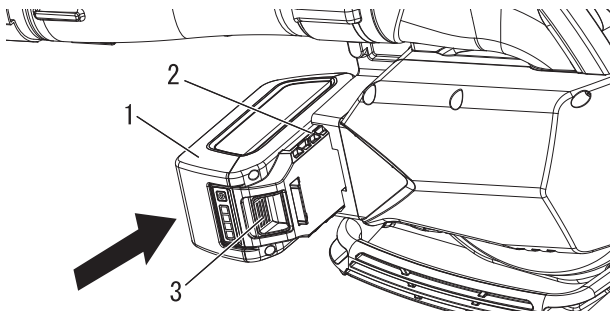
Fitting and removing the battery

WARNING

○ The power blower will operate when the battery is installed, the power indicator LED is lit. Make sure the power blower is properly positioned to prevent loss of control and possible serious injury.

NOTE

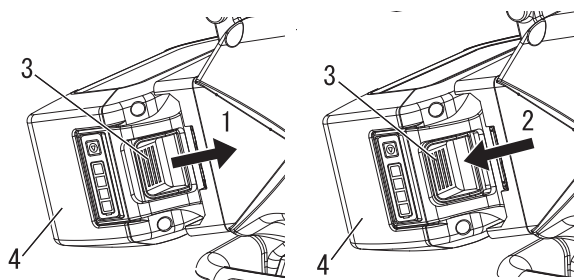
♦ The battery comes partially charged from the factory and needs to be fully charged before first use.



- 1. Battery
- 2. Ridge
- 3. Battery pack latch

Fitting the battery

1. Release trigger switch and move the cruise control lever completely forward to the stop position.
2. Make sure power to unit is turned off.
3. Align ridges on battery with groove on power blower, and insert battery until battery pack latch gets in the complete position a clicking sound is heard.



- 1. Complete position
- 2. Incomplete position
- 3. Battery pack latch
- 4. Battery pack

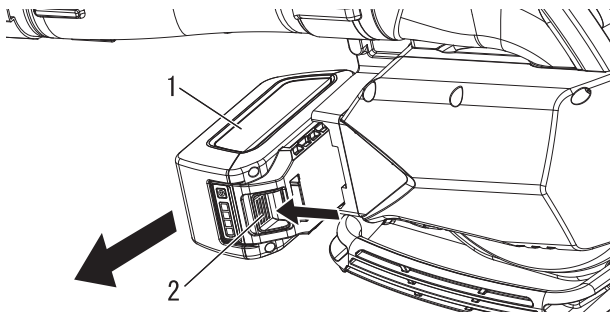
IMPORTANT

Before using the power blower, make sure that battery is set correctly with battery pack latch in the complete position.

NOTE

♦ Battery pack latch is in the complete position when battery pack latch is correctly engaged.

Before you start



1. Battery

2. Battery pack latch

Removing the battery

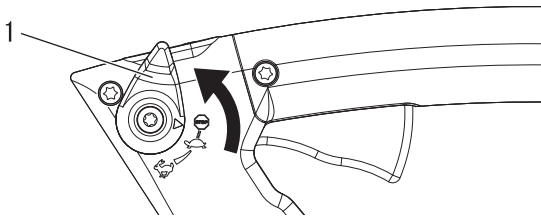
1. To remove battery, depress battery pack latch, and slide battery out of the power blower.

Starting and Stopping

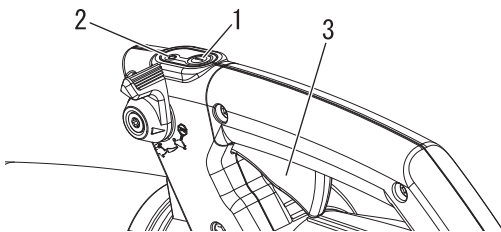
Starting the unit

WARNING

- When starting the unit, observe the precautions described from Page 4 in the section "For safe use of your product" to ensure that you operate the product correctly.
- ◆ Failure to observe the precautions could cause an accident or injury, or even lead to a fatality.



1. Cruise control lever



1. Power button 3. Trigger switch
2. Power indicator LED

1. Move cruise control lever all the way forward to stop position.
2. Push power button once to turn on power to unit.

NOTE

- ◆ Power indicator LED illuminates when power to unit is turned on.

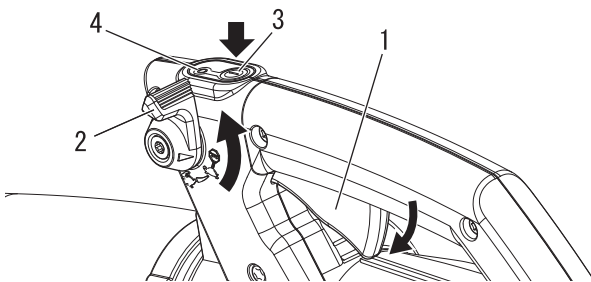
3. Depress trigger switch to increase blower speed.

IMPORTANT

When power to the unit is turned on:

- ◆ After one minute of inactivity, unit will power itself off.
- ◆ If the LED remains lit, operation is normal.
- ◆ If the LED flashes once per second, the battery needs to be charged.
- ◆ If the LED flashes four times per second, there is a fault within the product. Turn power off to unit. Remove battery. Clear debris from around fan. Install battery. Turn power on to unit. If flashing continues, have your authorized servicing dealer repair the product.

Stopping the unit



1. Trigger switch 3. Power button
2. Cruise control lever 4. Power indicator LED

1. Cruise control lever
Release trigger switch and move the cruise control lever completely forward (Stop position), and allow blower to stop.
2. Push power button to turn off power to unit.

NOTE

- ◆ Power indicator LED turns off when power to unit is turned off.

- * If the power button does not stop the blower, remove the battery to stop the power supply to blower. Have your authorized ECHO servicing dealer repair power button before using blower again. If the blower does not stop when the trigger is released and the cruise control lever is moved completely forward (Stop position), remove the battery to stop the power supply to blower. Have your authorized ECHO servicing dealer repair unit before using again.

Operating blower

WARNING

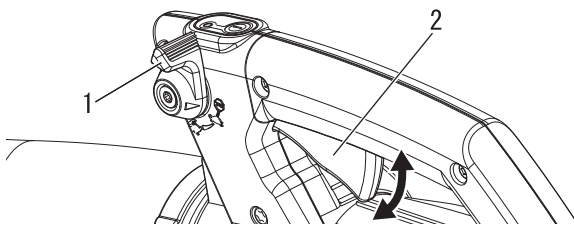
Always wear safety glasses and take all safety precautions or serious personal injury may result. Do not point the blower pipe in the direction of people or pets.

IMPORTANT

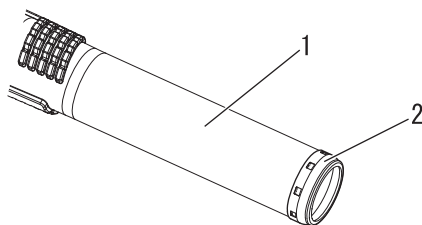
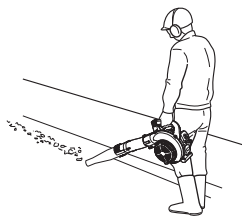
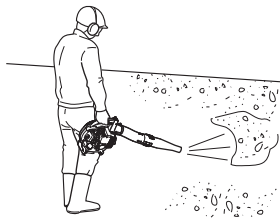
To avoid motor damage, do not block blower pipe opening. Never run the blower without the blower pipes fitted.

NOTE

Never use a higher speed setting than necessary to perform a task. Remember, the higher the speed, the louder the blower noise. Minimize dust by using blower at lower speeds. Keep debris on your property. Be Smart - be a good neighbor.



1. Cruise control lever 2. Trigger switch



1. Round straight nozzle 2. Protective metal ring

♦ Read the Safety Section carefully.

1. Use only during appropriate hours.
2. Control blower speed with trigger switch, or for continuous use, set blower speed with cruise control lever. Rotate cruise control lever forward for lower speed, back for higher speed.
3. Use lower speed to blow dry grass and leaves from walks, patios and drives.
4. Additional speed may be necessary to clean leaves from a lawn or flowerbed.
5. Higher speed may be necessary to move gravel, dirt, snow, bottles or cans from a driveway, street, parking lot or stadium.
6. When working near a house, do not blow air towards open windows. Debris could be blown into window.
7. Loosen or break up debris with a rake to make debris easier to move.
8. Dampen dusty areas before moving debris to reduce airborne dust.
9. Always stop unit using stop procedure.

CAUTION

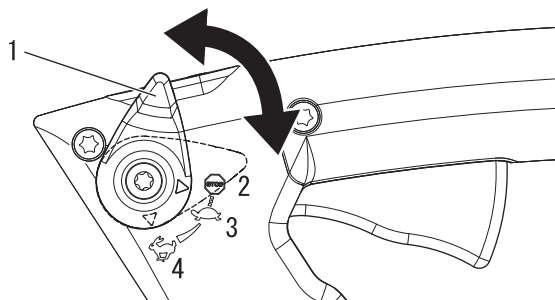
Contacting round straight nozzle tip on abrasive surfaces can create sharp cutting edges and can result in personal injury if touched. Do not scrape or drag round straight nozzle tip when operating or transporting unit. Replace round straight nozzle assembly if protective metal ring is worn, cracked or deformed.

Operation

Cruise Control

WARNING

Before connecting a battery pack to the blower, always move the cruise control lever completely forward to the stop position. Failure to ensure that it is in the stop position could result in accidental starting of the blower and serious injury. Do not lock the throttle trigger in applications where the blower may need to be suddenly stopped.



1. Cruise control lever
2. Blower stop

3. Slow speed
4. Fast speed

1. Move the cruise control lever towards the rear of the blower and into either the STOP, SLOW or FAST speed position.
2. Blower will remain running at selected speed.
3. To stop the blower, move cruise control lever completely forward (Stop position).

NOTE

If the cruise control feature is engaged during use and the battery pack is removed from the tool, disengage the cruise control feature immediately.

Maintenance and care

Servicing guidelines

Area	Maintenance	Page	Before use	Monthly
Battery	Inspect/Clean/Charge	21	•	
Housing cover	Inspect/Clean	21	•	
Screws, bolts and nuts	Inspect/Tighten/Replace	-	•	

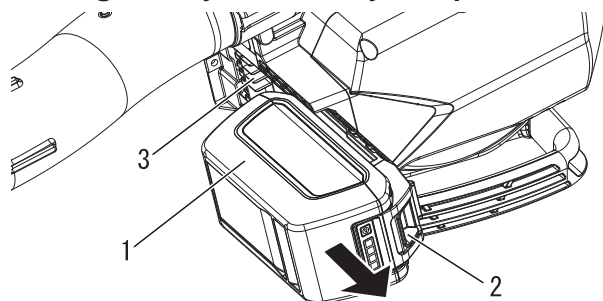
IMPORTANT

Time intervals are maximum. Actual use and your experience will determine the frequency of required maintenance.

Maintenance and care

If you have any questions or problems, please contact your ECHO DEALER.

Cleaning battery and battery compartment



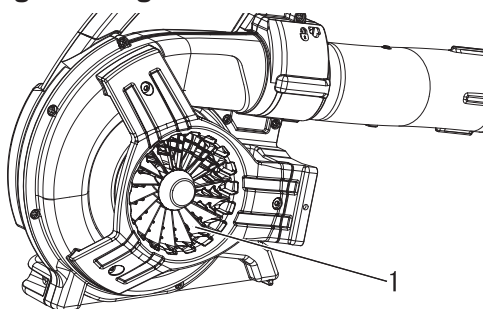
1. Battery
2. Battery pack latch
3. Battery compartment

⚠ WARNING

⊘ Risk of electric shock or fire. Do not use conducting materials to clean battery or battery compartment.

1. Release trigger switch and move the cruise control lever completely forward (Stop position), and allow blower to turn off.
2. Make sure power indicator LED is not illuminated.
3. Depress battery pack latch release slide battery pack out of blower.
4. Use compressed air or a soft bristle brush to remove debris from battery and battery compartment.

Cleaning housing cover



1. Housing cover

Remove dust of various sorts, including fallen leaves blocking the housing cover.

IMPORTANT

Do not remove the housing cover. If necessary, Please consult your dealer.

Maintenance and care

Troubleshooting table

Trouble	Cause	Solution
Red Charger light flashes or does not light up	<ul style="list-style-type: none"> ♦ Plug not connected to power outlet ♦ Battery pack not installed properly ♦ Obstructed connection ♦ Fault in the charger ♦ Fault in the battery pack 	<ul style="list-style-type: none"> ♦ Plug in the charger ♦ Check the battery pack installation ♦ Reinstall battery pack again after removing obstructions from connection ♦ Consult your ECHO dealer ♦ Consult your ECHO dealer
Unit will not turn on	<ul style="list-style-type: none"> ♦ Battery pack not installed properly 	<ul style="list-style-type: none"> ♦ Check the battery pack installation
Unit does not run when turned on	<ul style="list-style-type: none"> ♦ Battery pack discharged ♦ Battery pack outside acceptable temperature range 	<ul style="list-style-type: none"> ♦ Charge the battery pack ♦ Remove the battery pack and allow to cool
Running time is too short	<ul style="list-style-type: none"> ♦ Battery pack outside acceptable temperature range ♦ Unit electronics too hot ♦ Battery pack discharged 	<ul style="list-style-type: none"> ♦ Remove the battery pack and allow to cool ♦ Turn unit off and allow to cool ♦ Charge the battery pack
Unit runs, but doesn't blow or is weak	<ul style="list-style-type: none"> ♦ Blower pipe clogged ♦ Blower pipe loose ♦ Blower pipe damaged ♦ Air inlet clogged ♦ Fault in the fan 	<ul style="list-style-type: none"> ♦ Unclog pipe ♦ Tighten pipe ♦ Replace pipe ♦ Unclog air inlet ♦ Consult your ECHO dealer
Unit vibrates excessively	<ul style="list-style-type: none"> ♦ Fault in internal parts 	<ul style="list-style-type: none"> ♦ Consult your ECHO dealer

- ♦ Checking and maintenance requires specialist knowledge. If you are unable to check and maintain the product or deal with a fault yourself, consult your ECHO dealer. Do not attempt to dismantle the product.
- ♦ Consult your dealer in the event of a problem that is not covered in the table above, or other such concerns.
- ♦ For spare parts and consumables, please use only genuine parts and designated products and components. Using parts from other manufacturers or non-designated components may result in a malfunction.

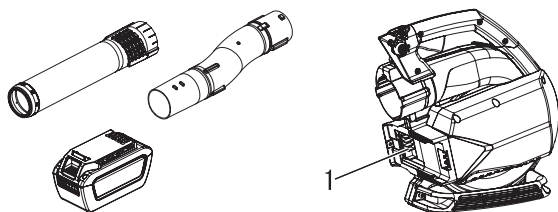
Maintenance and care

Storage

WARNING

Do not store in an enclosure where combustible fumes may accumulate.
You could cause a fire.

When storing the product for long periods of time, ensure that the following preparations for storage are carried out.



1. Battery compartment

Rechargeable Power Blower

Do not store your unit without performing protective storage maintenance which includes the following:

1. Turn power to unit off.
2. Remove battery from blower.
3. Remove accumulation of dirt and debris from exterior of unit.
4. Tighten all screws and nuts.
5. Remove blower pipe assembly from unit.
6. Cover battery compartment of blower.
7. Store unit in a dry, dust-free place.

Battery

1. Remove battery from blower.
2. Store in a dry, dust-free place, out of the reach of children.
3. Store in temperatures between -20°C (-4°F) and 60°C (140°F).
4. If battery is stored for longer than one year, charge it to approximately 40 - 60% capacity.

Battery Charger

1. Remove battery from battery charger.
2. Disconnect battery charger from power supply.
3. Store in a dry, dust-free place.

Maintenance and care

Disposal



- ♦ Major plastic parts making up the product have codes showing their materials.
The codes refer to the following materials; dispose of those plastic parts in accordance with local regulations.

Mark	Material
>PA6-GF<	Nylon 6 - Glass fiber
>PP-GF<	Polypropylene - Glass fiber
>PE-HD<	Polyethylene

- ♦ Battery contains lithium. Dispose of only at a designated collection point.
- ♦ Lithium-ion batteries must be recycled or disposed of properly.
- ♦ Please contact your ECHO dealer in case you do not know how to dispose of or recycle waste plastic parts.

Specifications

DPB-600		
Mass:		
with blower pipes, without battery	kg	3.2
with blower pipes and battery	kg	5.0
External dimensions (without blower pipes):		
Length	mm	353
Width	mm	187
Height	mm	336
Air volume:	m ³ /h	648
Max. air speed:	m/sec	72.5
Battery:		
Type		Li-Ion
Pack voltage	V	56 (rated 50.4)
Charger type		CCCV
Charger input voltage	V	AC 230 - 240
Battery Charger Lights:		Red LED – Battery is outside charging temperature range Red LED Blinking – Fault Green LED – Battery finished charging Green LED Blinking – Battery is charging normally
Charge Time:		LBP-560-100 battery: Approximately 42 minutes. LBP-560-200 battery: Approximately 88 minutes.
Sound Pressure Level: (EN 50636-2-100)	dB(A)	81.9
Sound Power Level: (EN 50636-2-100)	dB(A)	94
Uncertainty	dB(A)	3
Vibration levels: (EN 50636-2-100)	m/s ²	0.7
Uncertainty:K	m/s ²	1.5

These specifications are subject to change without notice.

- ♦ The declared vibration total value has been measured in accordance with a standard test method and may be used for comparing one tool with another.
- ♦ The declared vibration total value may also be used in a preliminary assessment of exposure.

Declaration of conformity

The undersigned manufacturer:

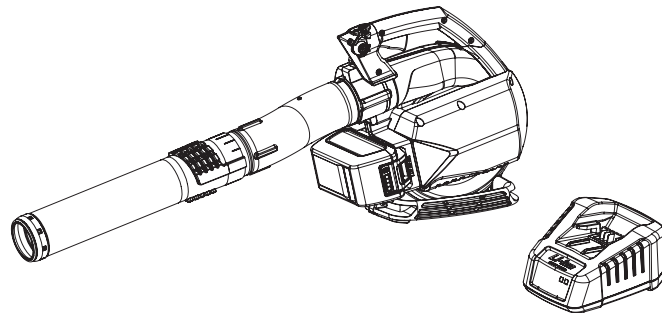
YAMABIKO CORPORATION
7-2 SUEHIROCHO 1-CHOME
OHME; TOKYO 198-8760
JAPAN

This declaration of conformity is issued under the sole responsibility of the manufacturer.

Declares that the hereunder specified new unit:

**POWER BLOWER
BATTERY CHARGER**

**Brand: ECHO
Type: DPB-600
LCJQ-560**



assembled by:

ECHO, INCORPORATED
400 Oakwood Road
Lake Zurich, Illinois 60047-1564
U.S.A.

Complies with:

- * The requirements of Directive **2006/42/EC** (use of harmonized standard **EN 60335-1: 2012, EN 50636-2-100: 2014**)
 - * The requirements of Directive **2014/30/EU** (use of harmonized standard **EN 55014-1: 2006, EN 55014-2: 1997, EN 61000-3-2: 2006, and EN 61000-3-3: 2008**)
 - * The requirements of Directive **2014/35/EU** (use of harmonized standard **EN 60335-1: 2012, EN 60335-2-29: 2004, and EN 62233: 2008**)
 - * The requirements of Directive **2000/14/EC**
- Conformity assessment procedure followed **ANNEX V**
- * The requirements of Directive **2011/65/EU** (use of harmonized standard **EN 50581: 2012**)

Measured sound power level : **94 dB(A)**

Guaranteed sound power level : **97 dB(A)**

DPB-600

Serial Number 35001001 and up

LCJQ-560

Serial Number 35001001 and up

Tokyo, July 1st, 2016

YAMABIKO CORPORATION

Masayuki Kimura

Masayuki Kimura

**General Manager
Quality Assurance Dept.**

The authorized representative in Europe who is authorized to compile the technical file.

Company: Atlantic Bridge Limited

Address: Atlantic House, PO Box 4800,

Earley, Reading RG5 4GB, United Kingdom

Mr. Philip Wicks

MEMORANDUM

YAMABIKO CORPORATION

7-2 SUEHIROCHO 1-CHOME, OHME, TOKYO 198-8760, JAPAN
PHONE: 81-428-32-6118. FAX: 81-428-32-6145.



X750-027 39 0

X750 821-010 1



FR FRANÇAIS
(Notice originale)

MANUEL D'UTILISATION

SOUFFLEUR ÉLECTRIQUE

RECHARGEABLE

DPB-600

AVERTISSEMENT



LIRE ATTENTIVEMENT LES INSTRUCTIONS ET SUIVRE LES RÈGLES DE SÉCURITÉ.
LE NON-RESPECT DES RÈGLES DE SÉCURITÉ ENTRAÎNE UN RISQUE DE BLESSURE GRAVE.



Information importante

Lire attentivement le manuel d'utilisation avant d'utiliser l'appareil pour la première fois.

○ Utilisation de l'appareil

- ♦ Les souffleurs électriques rechargeables ECHO sont conçus pour éliminer les poussières et autres déchets, y compris les feuilles mortes.
- ♦ Ne pas détourner cet outil de son utilisation normale.

○ Utilisateurs de l'appareil

- ♦ Lire attentivement ce manuel d'utilisation et assimiler les informations qu'il contient avant d'utiliser l'appareil pour la première fois.
- ♦ Toute personne n'ayant pas lu attentivement ce manuel d'utilisation, enrhumée, fatiguée ou en mauvaise condition physique ne doit pas utiliser cet appareil. Ne pas laisser un enfant manipuler l'appareil.
- ♦ L'utilisateur est tenu pour responsable en cas d'accidents ou de risques pouvant entraîner des accidents corporels ou des dommages matériels.

○ À propos du manuel d'utilisation

- ♦ Ce manuel contient les informations nécessaires à l'utilisation et à l'entretien de l'appareil. L'utilisateur doit donc le lire attentivement et assimiler les informations qu'il contient.
- ♦ Toujours conserver le manuel à portée de main.
- ♦ En cas de perte du manuel ou si ce dernier a été détérioré et n'est plus lisible, s'adresser à un REVENDEUR ECHO pour en obtenir un nouveau.
- ♦ Les unités utilisées dans ce manuel sont les unités SI (Système international d'unités). Les chiffres indiqués entre parenthèses sont des valeurs de référence. De légères erreurs de conversion peuvent survenir dans certains cas.

○ Prêt ou cession de l'appareil à un tiers

- ♦ Si l'appareil décrit dans ce manuel est prêté à un tiers, veiller à lui confier également le manuel d'utilisation fourni avec l'appareil. Si l'appareil est cédé à un tiers, transmettre le manuel d'utilisation fourni avec l'appareil lors de la vente.

○ Renseignements

- ♦ S'adresser à un REVENDEUR ECHO pour toute demande d'information concernant l'appareil, l'achat de consommables, les réparations ou pour tout autre renseignement.

○ Remarques

- ♦ Le constructeur se réserve le droit de modifier sans préavis le contenu de ce manuel en fonction des améliorations apportées au produit. Il se peut que certains des schémas de ce manuel soient différents de l'appareil. Ces différences ont pour objectif de rendre les explications plus claires.
- ♦ L'appareil nécessite le montage de certains éléments.
- ♦ En cas de doute, consulter un REVENDEUR ECHO.

Fabricant

YAMABIKO CORPORATION

7-2 SUEHIROCHO 1-CHOME, OHME, TOKYO 198-8760, JAPON

Représentant autorisé en Europe

Atlantic Bridge Limited

Atlantic House, PO Box 4800, Earley, Reading RG5 4GB, Royaume-Uni

Table des matieres

Pour utiliser l'appareil en toute sécurité.....	4
Etiquettes et symboles d'avertissement	4
Autres indications	4
Symboles.....	4
Emplacement de l'étiquette de sécurité.....	5
Manipulation de l'appareil	6
Contenu de l'emballage	12
Description.....	13
Avant de commencer.....	14
Assemblage.....	14
Démarrage et arrêt	18
Mise en marche de l'appareil.....	18
Arrêt de l'appareil.....	18
Fonctionnement	19
Fonctionnement du souffleur	19
Entretien	21
Instructions d'entretien de l'appareil	21
Entretien	21
Guide de dépannage	22
Remisage	23
Mise au rebut.....	24
Caractéristiques.....	25
Déclaration de conformité.....	26

Pour utiliser l'appareil en toute sécurité

Lire attentivement cette section avant d'utiliser l'appareil pour la première fois.

○ Les mesures de précaution décrites dans cette section contiennent des informations essentielles pour la sécurité. Les suivre scrupuleusement.

○ Il est également nécessaire de prendre connaissance des mesures de précaution exposées tout au long de ce manuel. Le texte précédé d'une puce [en forme de losange] décrit les risques encourus en cas de non-respect d'une mesure de précaution.


Étiquettes et symboles d'avertissement

Les mises en garde figurant dans le manuel et sur l'appareil signalent les situations pouvant entraîner un risque de blessure de l'utilisateur et d'autres personnes. Pour des raisons de sécurité, toujours lire et suivre attentivement les instructions qui les accompagnent.

 DANGER	 AVERTISSEMENT	 ATTENTION
Ce symbole associé au mot « DANGER » signale une action ou une situation présentant un risque de blessure corporelle grave ou d'accident mortel pour l'utilisateur et les personnes à proximité.	Ce symbole associé au mot « AVERTISSEMENT » signale une action ou une situation présentant un risque de blessure corporelle grave ou d'accident mortel pour l'utilisateur et les personnes à proximité.	« ATTENTION » signale une situation potentiellement dangereuse qui, si elle n'est pas évitée, peut entraîner une blessure légère à modérée.









Autres indications

Outre les étiquettes et les symboles d'avertissement, ce manuel contient les symboles d'explication suivants :



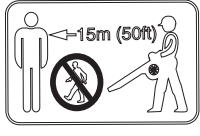



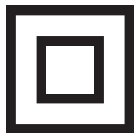

	Le cercle barré indique une interdiction.	REMARQUE	IMPORTANT
		Ce type de message fournit des conseils relatifs à l'utilisation et à l'entretien de l'appareil.	Le texte dans l'encadré où figure le mot « IMPORTANT » donne des informations importantes concernant l'utilisation, la vérification, l'entretien et le remisage de l'appareil décrit dans ce manuel.

Symboles

De nombreux symboles d'explication sont utilisés dans ce manuel et sur l'appareil lui-même. S'assurer d'avoir bien compris la signification de chacun de ces symboles.

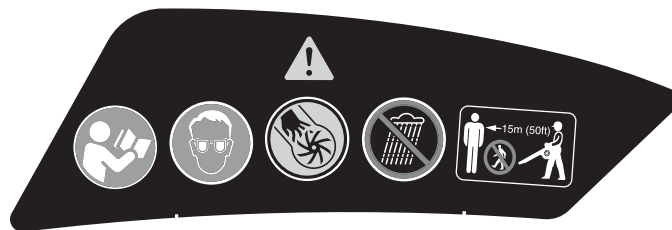
Forme des symboles	Description/application des symboles	Forme des symboles	Description/application des symboles
	Lire attentivement le manuel d'utilisation		Porter des lunettes de protection
	Alerte/sécurité		Risque de sectionnement des doigts
	Attention aux risques de choc électrique		Attention aux températures élevées
	Arrêt		Vitesse minimale

Pour utiliser l'appareil en toute sécurité

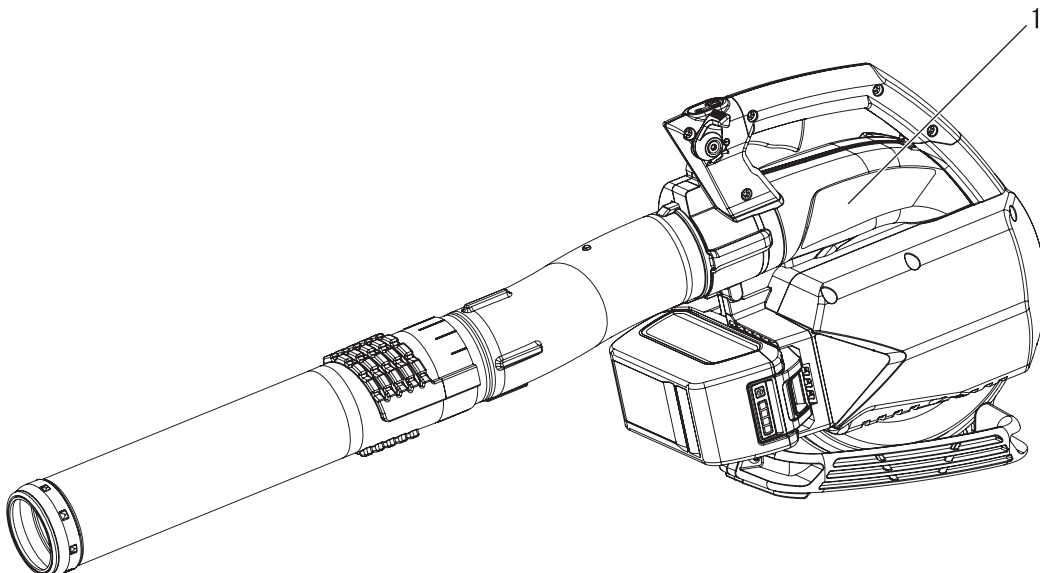
Forme des symboles	Description/application des symboles	Forme des symboles	Description/application des symboles
	Ne jamais utiliser cet appareil lorsqu'il pleut ou dans des endroits humides		Vitesse maximale
	Ne laisser personne s'approcher à moins de 15 mètres		Protection de l'environnement !
	Niveau de puissance sonore garanti		Volts
	Outil de classe II	 ou DC	Courant continu

Emplacement de l'étiquette de sécurité

- ♦ L'autocollant de sécurité ci-dessous a été apposé sur l'appareil décrit dans ce manuel. S'assurer de bien comprendre la signification de l'autocollant avant d'utiliser l'appareil.
- ♦ Si l'autocollant devient illisible avec le temps ou s'il s'est décollé ou a été déchiré, acheter un autocollant de rechange chez un revendeur et le coller à l'emplacement indiqué sur les illustrations ci-dessous. Veiller à ce que l'autocollant soit toujours lisible.



1. Etiquette de sécurité (Numéro de pièce X505008910)



Pour utiliser l'appareil en toute sécurité

Manipulation de l'appareil

Consignes générales de sécurité concernant les outils motorisés

AVERTISSEMENT

Lire l'ensemble des mises en garde et consignes de sécurité.

Négliger les mises en garde et consignes de sécurité pourrait entraîner un choc électrique, un départ de feu ou un accident corporel grave.

Conserver l'ensemble des mises en garde et consignes de sécurité pour pouvoir les consulter ultérieurement.

Le terme « outil motorisé » utilisé dans les mises en garde désigne un outil motorisé fonctionnant sur secteur (avec un cordon) ou sur batterie (sans fil).

Sécurité de la zone de travail

○ Garder la zone de travail propre et bien éclairée.

◆ Les endroits encombrés ou sombres favorisent la survenue d'accidents.

○ Ne pas utiliser des outils motorisés dans une atmosphère explosible, par exemple en présence de liquides, gaz ou poussières inflammables.

◆ Les outils motorisés créent des étincelles qui peuvent enflammer des poussières ou des vapeurs.

○ Tenir les enfants et les spectateurs à distance pendant l'utilisation d'un outil motorisé.

◆ Les distractions peuvent être à l'origine d'une perte de contrôle de l'outil.

Sécurité électrique

○ La fiche de l'outil motorisé doit correspondre à la prise secteur. Ne jamais modifier la fiche de quelque manière que ce soit. Ne pas utiliser d'adaptateurs avec les outils motorisés reliés à la terre.

◆ Les fiches non modifiées et les prises secteur correspondantes réduiront le risque de choc électrique.

○ Éviter le contact corporel avec les surfaces reliées à la terre ou à une masse telles que les tuyaux, radiateurs, cuisinières et réfrigérateurs.

◆ Le contact corporel avec une terre ou une masse représente un risque accru de choc électrique.

○ Ne pas exposer les outils motorisés à la pluie ou à l'humidité.

◆ L'eau qui pénètre dans un outil motorisé augmentera le risque de choc électrique.

○ Ne pas forcer sur le cordon. Ne jamais utiliser le cordon pour porter, tirer ou débrancher l'outil motorisé. Tenir le cordon à l'écart des sources de chaleur, des huiles, des bords tranchants ou des pièces en mouvement.

◆ Un cordon endommagé ou emmêlé augmente le risque de choc électrique.

○ Pour faire fonctionner un outil motorisé à l'extérieur, utiliser un cordon prolongateur adapté à cet usage.

◆ L'utilisation d'un cordon adapté à un usage extérieur réduit le risque de choc électrique.

○ Si un outil motorisé doit absolument être utilisé dans un endroit humide, utiliser une alimentation protégée par un disjoncteur différentiel résiduel (DDR).

◆ L'utilisation d'un DDR réduit le risque de choc électrique.

Sécurité des personnes

○ Rester alerte, regarder ce que l'on fait et faire preuve de bon sens lorsque l'on utilise un outil motorisé. Ne pas utiliser un outil motorisé lorsque l'on est fatigué ou sous l'emprise de drogues, de l'alcool ou de médicaments.

◆ Un moment d'inattention tandis que l'on utilise des outils motorisés peut entraîner un accident corporel grave.

○ Utiliser des équipements de protection individuelle. Toujours porter des lunettes de protection.

◆ Les équipements de protection tels que masque antipoussières, chaussures de sécurité antidérapantes, casque ou protections auditives utilisés à bon escient réduiront le risque d'accidents corporels.

○ Prévenir tout démarrage accidentel. S'assurer que l'interrupteur est en position d'arrêt avant de raccorder l'appareil à une source d'alimentation ou à un bloc-batterie, de le ramasser ou de le transporter.

◆ Transporter des outils motorisés en ayant le doigt sur l'interrupteur ou mettre sous tension des outils motorisés dont l'interrupteur est en position de marche favorisera la survenue d'accidents.

○ Retirer toute clé de réglage avant de mettre l'outil motorisé en marche.

◆ Une clé laissée fixée sur une pièce tournante de l'outil motorisé peut entraîner un accident corporel.

○ Ne pas tenir l'appareil à bout de bras. Veiller à avoir de bons appuis et garder l'équilibre en permanence.

◆ Ceci permet de mieux maîtriser l'outil motorisé dans des situations inattendues.

○ S'habiller de façon appropriée. Ne pas porter de vêtements amples ni de bijoux. Garder les cheveux, vêtements et gants à distance des pièces en mouvement.

◆ Les vêtements amples, bijoux ou cheveux longs peuvent se prendre dans les pièces en mouvement.

○ Si des dispositifs sont prévus pour le raccordement d'un système d'extraction et de recueil des poussières, veiller à les raccorder et à bien les utiliser.

◆ L'utilisation d'un système de dé poussiérage pourra réduire les dangers liés aux poussières.

L'émission de vibrations pendant l'utilisation proprement dite de l'outil motorisé peut être différente de la valeur totale déclarée en fonction des modes d'utilisation de l'appareil ; il est nécessaire de déterminer les mesures de sécurité à prendre pour protéger l'utilisateur sur la base de l'estimation de l'exposition dans les conditions réelles d'utilisation (en prenant en compte toutes les parties du cycle d'utilisation telles que les moments où l'appareil est éteint et les moments où il fonctionne au ralenti en plus du temps d'actionnement de la commande).

Pour utiliser l'appareil en toute sécurité

AVERTISSEMENT

Utilisation et entretien des outils motorisés

- **Ne pas forcer sur les outils motorisés. Utiliser l'outil motorisé adapté au travail à effectuer.**
- ◆ L'outil motorisé adapté fonctionnera mieux et de façon plus sûre au niveau de puissance pour lequel il a été conçu.
- **Ne pas utiliser l'outil motorisé si l'interrupteur ne permet pas de le mettre en marche et de l'arrêter.**
- ◆ Tout outil motorisé impossible à commander à l'aide de l'interrupteur est dangereux et doit être réparé.
- **Débrancher la fiche de la source d'alimentation ou retirer le bloc-batterie de l'outil motorisé avant de procéder à des réglages, de changer d'accessoire ou de remiser l'appareil.**
- ◆ Ces mesures de sécurité préventive réduisent le risque de mise en marche accidentelle des outils motorisés.
- **Remiser les outils motorisés hors de portée des enfants et ne pas autoriser les personnes non familiarisées avec l'outil ou le présent manuel à utiliser l'appareil.**
- ◆ Les outils motorisés sont dangereux entre les mains d'utilisateurs non formés.
- **Entretenir les outils motorisés. Vérifier l'absence de pièces mobiles mal alignées ou bloquées ou encore de pièces cassées. Repérer toute autre situation susceptible d'avoir une incidence sur le fonctionnement de l'outil motorisé. Si un outil motorisé est endommagé, le faire réparer avant de l'utiliser.**
- ◆ De nombreux accidents sont provoqués par des outils motorisés mal entretenus.
- **Garder les outils de coupe tranchants et propres.**
- ◆ Des outils de coupe correctement entretenus avec des arêtes tranchantes sont moins susceptibles de se coincer et sont plus faciles à maîtriser.
- **Utiliser les outils motorisés, accessoires, embouts, etc., conformément à la présente notice, en tenant compte des conditions d'utilisation et du travail à effectuer.**
- ◆ L'utilisation d'un outil motorisé pour des travaux différents de ceux prévus pourrait entraîner une situation dangereuse.

Utilisation et entretien des outils à batterie

- **Ne recharger les batteries qu'avec le chargeur préconisé par le fabricant.**
- ◆ Un chargeur adapté à un type de bloc-batterie peut créer un risque d'incendie s'il est utilisé avec un autre bloc-batterie.
- **Utiliser les outils motorisés uniquement avec les blocs-batteries spécialement prévus à cet effet.**
- ◆ L'utilisation de tout autre bloc-batterie peut créer un risque d'accident et de départ de feu.
- **Lorsque le bloc-batterie n'est pas utilisé, le tenir à l'écart des autres objets métalliques tels que trombones, pièces de monnaie, clés, clous, vis ou autres petits objets en métal qui pourraient établir une connexion entre les bornes de la batterie.**
- ◆ La mise en court-circuit des bornes de la batterie peut occasionner des brûlures ou un départ de feu.
- **En situation d'utilisation trop intensive, du liquide peut être éjecté de la batterie – éviter tout contact avec ce liquide. En cas de contact accidentel, rincer à l'eau. Si ce liquide atteint les yeux, demander par ailleurs une aide médicale.**
- ◆ Le liquide éjecté de la batterie peut occasionner une irritation ou des brûlures.

Entretien

- **Faire procéder à l'entretien des outils motorisés par un réparateur qualifié n'utilisant que des pièces de rechange identiques.**
- ◆ Ceci assurera le maintien de la sécurité des outils motorisés.

Pour utiliser l'appareil en toute sécurité

Mesures de précaution générales

AVERTISSEMENT

Manuel d'utilisation

○ Lire attentivement le manuel d'utilisation avant d'utiliser l'appareil pour la première fois afin d'éviter toute erreur d'utilisation.

◆ Le non-respect de cette mesure de précaution entraîne un risque d'accident ou de blessure grave.



Ne pas détourner l'appareil de son utilisation normale

○ Utiliser l'appareil uniquement pour les tâches décrites dans ce manuel d'utilisation.

◆ Le non-respect de cette règle de sécurité entraîne un risque d'accident ou de blessure grave.

Ne pas modifier l'appareil

○ Aucune modification ne doit être apportée à l'appareil.

◆ Le non-respect de cette règle de sécurité entraîne un risque d'accident ou de blessure grave. Tout dysfonctionnement dû à une modification de l'appareil n'est pas couvert par la garantie du fabricant.

Ne pas utiliser l'appareil avant d'avoir effectué les opérations de vérification et d'entretien nécessaires

○ Il ne faut pas utiliser l'appareil avant d'avoir effectué les opérations de vérification et d'entretien nécessaires. Veiller à ce que l'appareil soit vérifié et entretenu régulièrement.

◆ Le non-respect de cette règle de sécurité entraîne un risque d'accident ou de blessure grave.

Prêt ou cession de l'appareil à un tiers

○ Si l'appareil est prêté à un tiers, veiller à lui confier également le manuel d'utilisation fourni avec l'appareil.

○ Si l'appareil est cédé à un tiers, transmettre le manuel d'utilisation fourni avec l'appareil lors de la vente.

◆ Le non-respect de cette règle de sécurité entraîne un risque d'accident ou de blessure grave.

Savoir réagir en cas de blessure

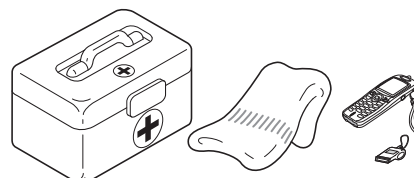
Même si les cas de blessure ou d'accident restent exceptionnels, l'utilisateur doit savoir réagir à ces situations.

○ Kit de premiers secours

○ Serviettes et lingettes (pour arrêter les saignements)

○ Sifflet ou téléphone portable (pour appeler de l'aide)

◆ Si l'utilisateur n'est pas capable de prodiguer les premiers soins ou d'appeler à l'aide, la blessure peut s'aggraver.



Pour utiliser l'appareil en toute sécurité

Précautions d'utilisation

AVERTISSEMENT

Utilisateurs de l'appareil

L'appareil ne doit pas être utilisé si :

- l'utilisateur est fatigué
- l'utilisateur a consommé de l'alcool
- l'utilisateur prend des médicaments
- la personne qui souhaite utiliser l'appareil est enceinte
- l'utilisateur est en mauvaise condition physique
- l'utilisateur n'a pas lu le manuel d'utilisation
- la personne qui souhaite utiliser l'appareil est un enfant



- ◆ Le non-respect de ces règles de sécurité constitue un risque d'accident.
- Cet appareil produit des champs électromagnétiques lorsqu'il fonctionne. Les champs magnétiques peuvent provoquer des interférences ou des pannes sur les stimulateurs cardiaques. Pour réduire les risques pour la santé, nous recommandons aux porteurs d'un stimulateur cardiaque de consulter leur médecin et le fabricant du stimulateur avant d'utiliser cet appareil.

Environnement d'utilisation et fonctionnement de l'appareil

- **Ne pas utiliser l'appareil**
 - ◆ dans des endroits humides ou mouillés ;
 - ◆ sous la pluie ;
 - ◆ en cas de mauvaises conditions météo.
- ◆ Le non-respect de cette règle de sécurité entraîne un risque d'accident ou de blessure grave.
- **Ne pas utiliser l'appareil sur une surface instable, comme un terrain en pente raide ou détrempé. Ces types de terrain sont glissants et donc dangereux.**
- **Ne pas utiliser l'appareil la nuit ou dans des endroits mal éclairés offrant de mauvaises conditions de visibilité.**
- ◆ Toute chute, glissade ou utilisation incorrecte de l'appareil constitue un risque de blessures graves pour l'utilisateur.



La zone comprise dans un rayon de 15 mètres autour de l'appareil est une zone dangereuse.

La zone comprise dans un rayon de 15 mètres autour de l'appareil est une zone dangereuse. Veiller à bien respecter les mesures de précaution suivantes lors de l'utilisation de l'appareil.

- Ne laisser personne (enfants, animaux ou autres personnes) pénétrer dans la zone dangereuse.
- Si quelqu'un pénètre dans la zone dangereuse, éteindre l'appareil pour l'arrêter.
- Lorsqu'une personne s'approche de l'utilisateur, elle doit lui signaler sa présence en lançant des brindilles, par exemple, sans entrer dans la zone dangereuse. Elle doit ensuite vérifier que l'appareil est arrêté.
- Si l'appareil est utilisé par plusieurs personnes, celles-ci doivent convenir entre elles des signaux à utiliser et travailler à plus de 15 mètres les unes des autres.
- ◆ Les objets projetés peuvent blesser gravement l'utilisateur ou les personnes présentes à proximité.

Utilisation de l'appareil

Veiller à bien respecter les mesures de précaution suivantes lors de l'utilisation de l'appareil.

- Ne pas diriger le tuyau de soufflage vers des personnes ou des animaux domestiques.
- Ne pas utiliser l'appareil sur une surface instable.
- Tenir la poignée fermement.
- Afin d'éviter toute nuisance sonore pour le voisinage, ne pas utiliser l'appareil tard le soir ou tôt le matin.
- ◆ Le non-respect de ces règles de sécurité constitue un risque d'accident ou de blessure.

Arrêter l'appareil pour se déplacer

Dans les exemples de déplacement décrits ci-dessous, commencer par arrêter l'appareil.

- Se déplacer vers le lieu de travail.
- Se déplacer vers un autre endroit tout en travaillant.
- Quitter le lieu de travail.
- ◆ Le non-respect de ces mesures de précaution constitue un risque de brûlure ou de blessure grave.
- Pour transporter l'appareil dans une voiture, retirer la batterie et s'assurer que l'appareil est bien calé pour éviter qu'il se déplace lors du trajet.

Attention à ne pas se faire prendre dans la turbine

- Veiller à ne pas avoir les cheveux happés dans la turbine.
- ◆ L'aspiration créée par la turbine risque de happer la main ou des objets quelconques vers la turbine et donc d'entraîner un accident grave.

Exposition aux vibrations et au froid

Les personnes exposées aux vibrations et au froid peuvent être victimes du phénomène de Raynaud, une affection qui touche les doigts. L'exposition à des vibrations et au froid peut provoquer une sensation de picotement et de brûlure, suivie d'une décoloration et d'un engourdissement des doigts.

Il est vivement recommandé de respecter les mesures de précaution suivantes car le seuil d'exposition minimum pouvant provoquer l'apparition de ce phénomène reste inconnu à ce jour.

- Limiter la perte de chaleur corporelle, en protégeant en priorité la tête, le cou, les pieds, les chevilles, les mains et les poignets.
- Stimuler la circulation sanguine en interrompant le travail régulièrement pour remuer énergiquement les bras, et éviter de fumer.
- Limiter le nombre d'heures d'utilisation. Essayer d'intégrer à l'emploi du temps de la journée des tâches ne nécessitant pas l'utilisation du souffleur ou d'une autre machine portative.
- En cas d'inconfort, de rougeur et de gonflement au niveau des doigts, suivis d'un blanchissement et d'une perte de sensibilité, consulter un médecin avant de s'exposer à nouveau au froid et aux vibrations.
- ◆ Le non-respect de ces instructions peut être dangereux pour la santé.

Pour utiliser l'appareil en toute sécurité

AVERTISSEMENT

Lésions attribuables au travail répétitif

Une trop grande sollicitation des muscles et des tendons des doigts, des mains, des bras et des épaules peut entraîner l'apparition d'inflammations, de gonflements, d'engourdissements, d'une sensation de faiblesse ou d'une douleur aiguë dans ces parties du corps. L'apparition de lésions attribuables au travail répétitif (LATR) est très fréquente chez les personnes pratiquant certaines activités manuelles répétitives.

Pour réduire le risque d'apparition de LATR, respecter les mesures de précaution suivantes :

- Éviter de plier, d'étirer ou de tordre le poignet pendant le travail.
- Faire des pauses régulières pour réduire l'effet répétitif et pour reposer ses mains. Effectuer le mouvement répétitif plus lentement et en faisant moins d'effort.
- Faire des exercices de musculation des mains et des bras.
- En cas de picotements, d'engourdissement ou de douleur dans les doigts, les mains, les poignets ou les bras, consulter un médecin. Plus les LATR sont diagnostiquées précocement, plus les chances d'empêcher les lésions nerveuses et musculaires irréversibles sont grandes.
- ◆ Le non-respect de ces instructions peut être dangereux pour la santé.

Quand débrancher la batterie

- Dès que l'utilisateur doit laisser l'appareil sans surveillance.
- Avant d'éliminer un blocage.
- Avant de vérifier ou de nettoyer l'appareil ou de travailler dessus.
- Après un choc avec un objet afin de contrôler l'état de l'appareil.
- Si l'appareil commence à vibrer de manière anormale, pour le vérifier immédiatement.
- ◆ Il existe un risque d'accident en cas de démarrage intempestif de l'appareil.

Arrêter immédiatement l'appareil en cas d'anomalie.

- Arrêter immédiatement l'appareil s'il se met à vibrer soudainement ou émet des bruits anormaux. Ne pas utiliser l'appareil en cas de vibrations ou de sons anormaux.
S'adresser à un REVENDEUR ECHO pour faire effectuer les réparations nécessaires.
- ◆ L'utilisation prolongée de pièces endommagées entraîne un risque d'accident ou de blessure grave.

Arrêter l'appareil avant de procéder à des vérifications ou à l'entretien de celui-ci.

Respecter les mesures de précaution suivantes lors de la vérification et de l'entretien de l'appareil après utilisation :

- Arrêter l'appareil, retirer la batterie et s'assurer que toutes les pièces mobiles se sont complètement immobilisées.
- ◆ Il existe un risque d'accident en cas de démarrage intempestif de l'appareil.
- Laisser l'appareil refroidir avant d'intervenir dessus.
- ◆ Il existe un risque de brûlure.

Pour utiliser l'appareil en toute sécurité

Equipement de protection

AVERTISSEMENT

Port d'équipements de protection

○ **Toujours porter des vêtements et des équipements de protection adaptés pour utiliser le souffleur. Veiller surtout à toujours porter des lunettes de sécurité et un masque antipoussières lorsque l'on travaille avec l'appareil.**

◆ Sans ces équipements de protection, il existe un risque d'inhaler les débris ou la poussière soufflés par l'appareil. Ces corps étrangers peuvent également être projetés vers les yeux, entraînant ainsi un risque d'accident ou de blessure.

a Lunettes de sécurité : protègent les yeux.

b Masque antipoussières : protection respiratoire.

c Gants de sécurité : protègent les mains contre le froid et les vibrations.

d Vêtements bien ajustés (manches longues, pantalons longs) : protègent le corps.

e Chaussures ou bottes robustes : protègent les pieds.

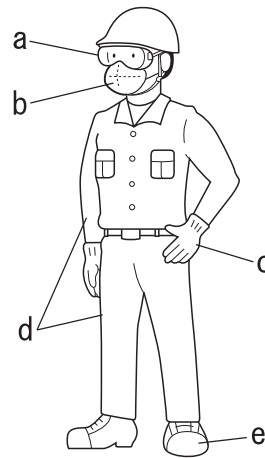
◆ Le non-respect de ces mesures de précaution peut entraîner une dégradation de la vue ou de l'ouïe de l'utilisateur, ainsi qu'un risque de blessure grave.

Si nécessaire, utiliser les équipements de protection ci-dessous.

○ **Protection de la tête (casque)** : protège la tête.

○ **Casque de protection anti-bruit ou protecteurs d'oreilles** : protection auditive.

○ **Voilette de protection** : protection contre les insectes.



Port de vêtements adaptés

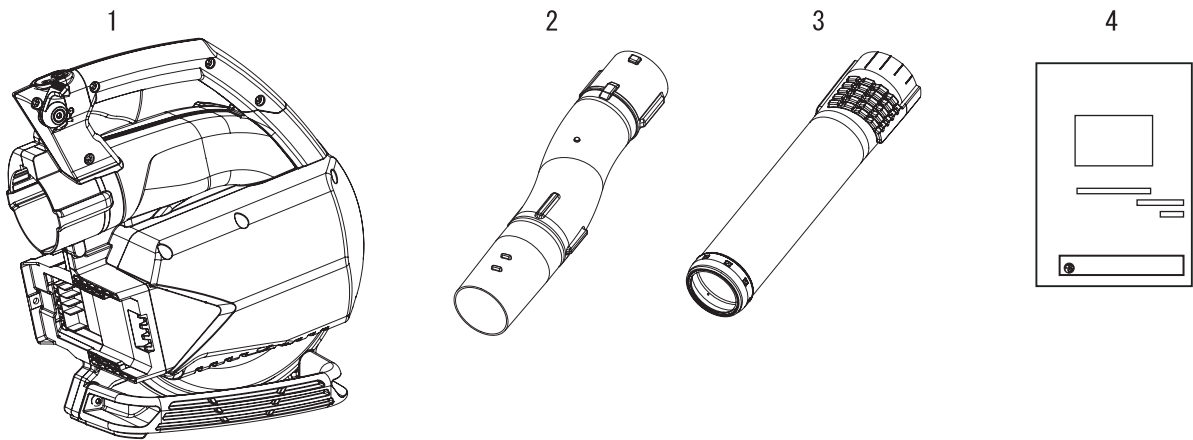
Ne pas porter de cravates, bijoux ou vêtements amples qui pourraient se prendre dans l'appareil. Ne pas porter de chaussures ouvertes, ne pas travailler pieds nus ou jambes nues.

◆ Le non-respect de ces mesures de précaution peut entraîner un accident ou un risque de blessure grave.

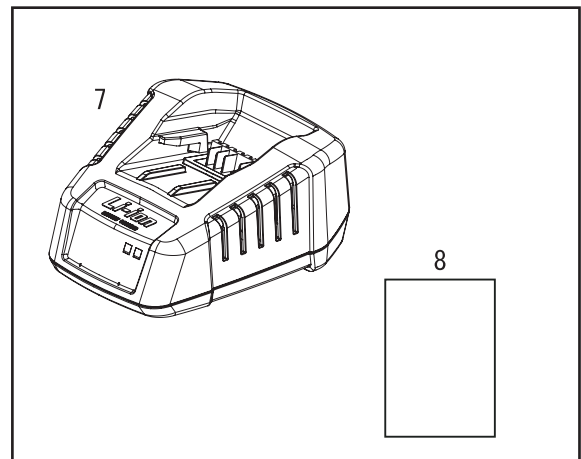
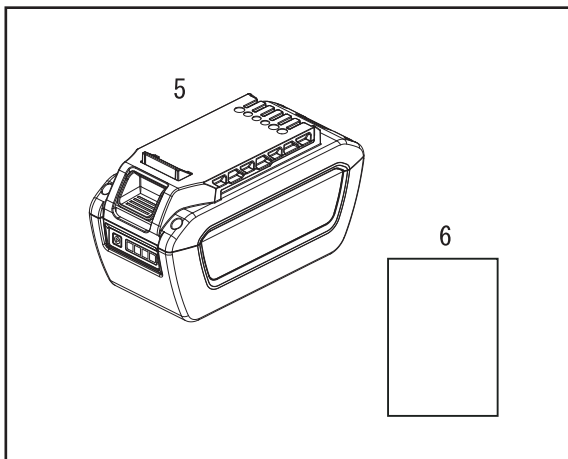


Contenu de l'emballage

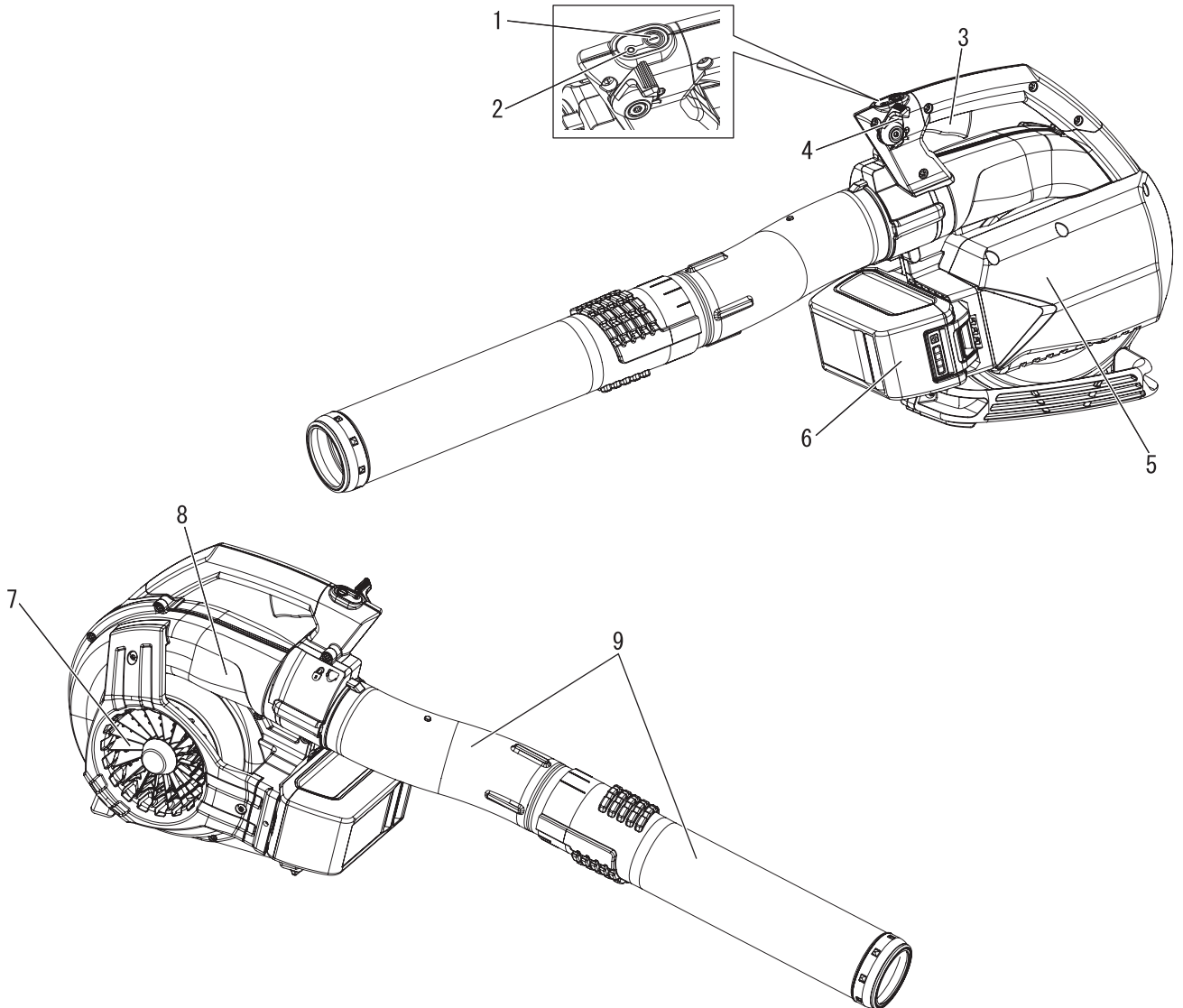
- ♦ Les pièces suivantes sont conditionnées séparément dans le carton d'emballage.
- ♦ Lors de l'ouverture du carton, passer en revue les pièces qu'il contient.
- ♦ S'adresser au revendeur si une pièce est manquante ou endommagée.



Numéro	Désignation	Quantité
(1)	Tête du souffleur	1
(2)	Tuyau de soufflage	1
(3)	Buse droite ronde	1
(4)	Manuel d'utilisation	1



Numéro	Désignation	Quantité
(5)	Bloc-batterie	1
(6)	Manuel d'utilisation	1
(7)	Chargeur	1
(8)	Manuel d'utilisation	1



1. **Bouton d'alimentation** Un appui bref permet de mettre l'appareil sous tension, la DEL du témoin d'alimentation s'allume. Un nouvel appui met l'appareil hors tension, la DEL du témoin d'alimentation s'éteint.

2. **DEL du témoin d'alimentation** Reste allumée lorsque l'appareil est sous tension. S'éteint lorsque l'appareil est mis hors tension.

3. **Interrupteur à poussoir** Activé par le doigt de l'utilisateur pour mettre le moteur en marche.

4. **Levier de commande de vitesse** Tirer le levier vers l'arrière pour augmenter la vitesse du souffleur.

5. **Moteur**

6. **Bloc-batterie**

7. **Couvercle du boîtier** Couvre le logement de la turbine du souffleur.

8. **Étiquette avec numéro de série** Indique le numéro de modèle et le numéro de série de l'appareil.

9. **Tuyaux de soufflage** Système de verrouillage automatique exclusif.

Avant de commencer

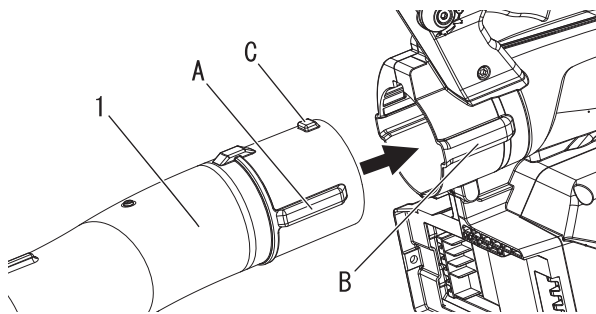
Assemblage

⚠ AVERTISSEMENT

- Lire attentivement le manuel d'utilisation pour s'assurer que l'appareil est monté correctement.
- Ne jamais effectuer d'opérations d'entretien ou de montage lorsque l'appareil fonctionne.
- ◆ L'utilisation d'un appareil monté de façon incorrecte entraîne un risque d'accident ou de blessure grave.

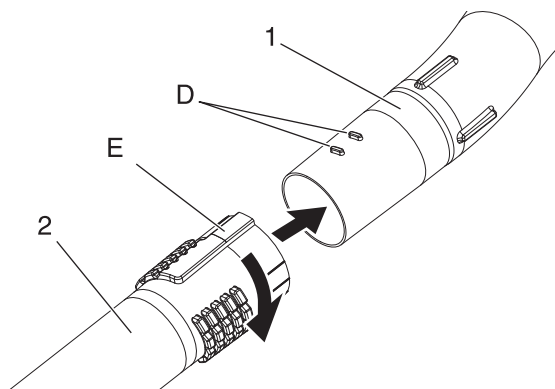


Installer les tuyaux de soufflage



1. Tuyau de soufflage

1. Mettre l'appareil debout, sur la base du souffleur.
2. Aligner les nervures de blocage (A) sur le tuyau de soufflage avec les évidements (B) dans le carter de la turbine. Vérifier que la nervure de blocage courte (C) est orientée vers le haut. Insérer le tuyau de soufflage dans le carter de la turbine jusqu'à ce qu'un déclic se fasse entendre.



1. Tuyau de soufflage

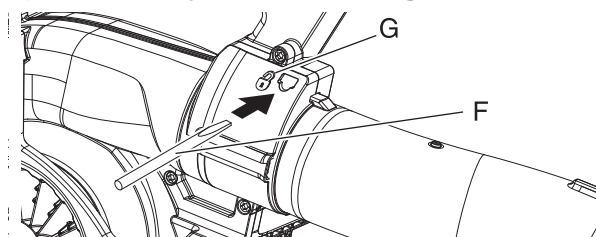
2. Embout droit rond

3. Aligner les languettes (D) avec les rainures (E) et glisser l'embout droit rond sur le tuyau de soufflage jusqu'à rencontrer une légère résistance. Ne pas forcer.
4. Tenir le tuyau de soufflage et tourner l'embout droit rond vers la droite, en engageant les canaux de verrouillage jusqu'à obtenir une connexion sûre. Ne pas forcer.

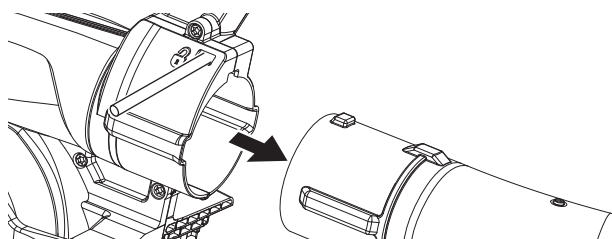
REMARQUE

Les raccords entre les tuyaux se desserrent au fil de l'utilisation du souffleur. Le système de verrouillage automatique exclusif permet de serrer les raccords entre les tuyaux. En cas de desserrage, déposer et reposer l'embout droit rond conformément aux instructions 3 et 4.

Déposer les tuyaux de soufflage



1. Insérer le tournevis (F) dans l'orifice situé près du symbole de blocage (G) pour débloquer le tuyau.



2. Retirer les tuyaux du carter du ventilateur.
3. Retirer le tournevis.

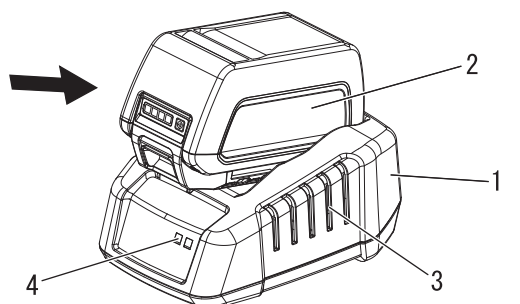
Charge de la batterie

⚠ AVERTISSEMENT

- Toujours utiliser le bloc-batterie LBP-560-100/LBP-560-200 et le charger uniquement avec le chargeur LCJQ-560.
- Garder le chargeur et la batterie à l'abri de l'humidité et de tous les liquides.
- Ne pas utiliser le chargeur sur une surface facilement inflammable (telle que du papier ou du textile) ou dans un environnement présentant un risque d'incendie élevé.
- Ne pas couvrir le chargeur. Couvrir le chargeur l'empêcherait de se refroidir.
- Ne pas utiliser le chargeur dans une atmosphère explosible, par exemple en présence de liquides, gaz ou poussières inflammables. Les chargeurs peuvent produire des étincelles qui peuvent enflammer des poussières ou des vapeurs – il existe un risque d'explosion.
- Brancher le chargeur uniquement sur une alimentation correspondant à la tension et à la fréquence spécifiées sur la plaque signalétique.
- Brancher le chargeur uniquement sur une prise murale aisément accessible.
- Ne jamais insérer d'objet dans les événements de refroidissement du bloc-batterie ou du chargeur.
- Ne pas charger ni utiliser un bloc-batterie et un chargeur défectueux, endommagés ou déformés.
- Ne pas ouvrir, endommager ou faire tomber le bloc-batterie ou le chargeur.
- Une batterie endommagée ou mal utilisée risque de fuir ; éviter tout contact avec la peau. En cas de contact accidentel, laver abondamment à l'eau et au savon les parties touchées. Si du liquide pénètre dans l'œil, ne pas frotter. Rincer abondamment les yeux à l'eau pendant au moins 15 minutes. Consulter également un médecin.
- Ne jamais ponter (court-circuiter) les contacts du bloc-batterie ou les bornes du chargeur avec des objets métalliques.
- Protéger d'une exposition directe au soleil, à la chaleur et à toute flamme nue et ne jamais jeter la batterie au feu ; il existe un risque d'explosion.
- Si de la fumée ou des flammes se dégagent du chargeur, débrancher immédiatement celui-ci de la prise murale.
- Si le cordon d'alimentation est endommagé, débrancher immédiatement la fiche de l'alimentation électrique pour éviter tout risque de choc électrique.
- Ne pas exposer le bloc-batterie à des ondes d'hyperfréquence ou à une pression élevée.
- Prendre les mesures requises pour empêcher un démarrage intempestif de l'appareil. Retirer le bloc-batterie de l'appareil avant de transporter ou de ranger celui-ci. Ne pas utiliser un récipient en métal pour transporter les batteries.
- Pour réduire le risque de trébuchement, positionner et signaler le cordon d'alimentation de telle manière qu'il ne puisse pas être endommagé et de façon à ce qu'il ne constitue un danger pour personne.

REMARQUE

- La batterie est partiellement chargée lorsqu'elle quitte l'usine ; il convient de la charger entièrement avant la première utilisation.
- Charger la batterie lorsqu'elle ne produit plus suffisamment de courant pour faire fonctionner l'appareil ou lorsque les voyants indiquent qu'elle est déchargée.



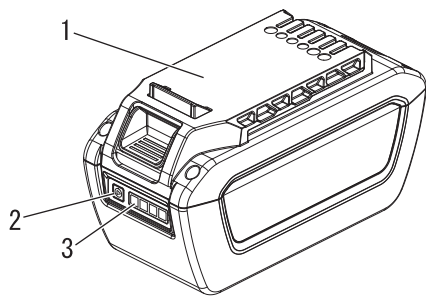
1. Chargeur
2. Batterie
3. Fentes de refroidissement
4. DEL du chargeur

1. Brancher le cordon secteur du chargeur dans la prise murale.
2. Aligner les nervures de la batterie sur les rainures du chargeur et faire coulisser la batterie dans le chargeur.
3. Durant la charge normale, la DEL du chargeur clignote en continu en VERT.

IMPORTANT

- Si le chargeur détecte un problème, la DEL clignote en ROUGE. Retirer la batterie du chargeur, nettoyer les contacts et réinstaller la batterie dans le chargeur. Si la batterie n'est pas dans la plage de température acceptable (de 0 à 60 °C), la DEL reste allumée en ROUGE.

Avant de commencer



- 1. Batterie
- 2. Bouton d'état de charge de la batterie
- 3. Affichage à DEL

4. Lorsque la charge est terminée, la DEL reste allumée en VERT.
 - * Un bloc-batterie complètement déchargé se chargera en 42 minutes environ. (LBP-560-100)
 - * Un bloc-batterie complètement déchargé se chargera en 88 minutes environ. (LBP-560-200)
5. Vérifier que la batterie est entièrement chargée en la retirant du chargeur et appuyant sur le bouton d'état de charge de la batterie. Vérifier les indications données par les DEL.
 - ♦ Un voyant vert indique que la batterie est chargée entre 0 et 25 %.
 - ♦ Deux voyants verts indiquent que la batterie est chargée entre 25 et 50 %.
 - ♦ Trois voyants verts indiquent que la batterie est chargée entre 50 et 75 %.
 - ♦ Quatre voyants verts indiquent que la batterie est chargée entre 75 et 100 %.
6. Débrancher le chargeur de batteries de l'alimentation électrique.

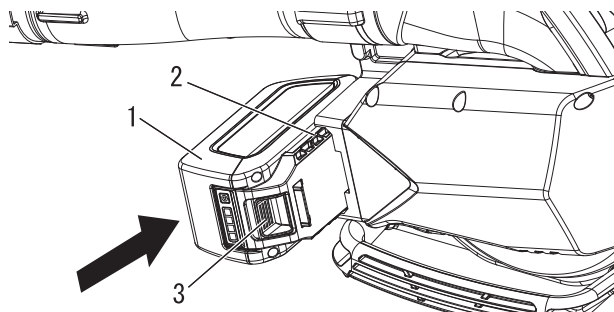
Pose et retrait de la batterie

AVERTISSEMENT

- Le souffleur électrique fonctionne lorsque la batterie est installée et la DEL du témoin d'alimentation allumée. Veiller à positionner le souffleur électrique correctement pour éviter toute perte de contrôle et un éventuel accident grave.

REMARQUE

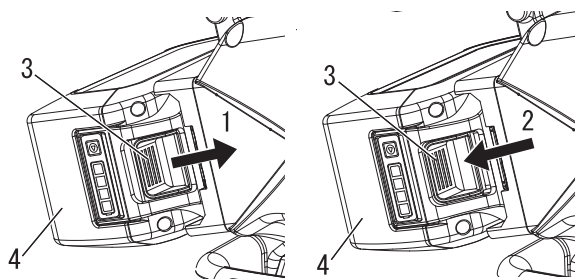
- ♦ La batterie est partiellement chargée lorsqu'elle quitte l'usine ; il convient de la charger entièrement avant la première utilisation.



- 1. Batterie
- 2. Nervure
- 3. Verrou du bloc-batterie

Pose de la batterie

1. Relâcher l'interrupteur à poussoir et pousser le levier de commande de vitesse à fond vers l'avant en position d'arrêt.
2. S'assurer que l'appareil est hors tension.
3. Aligner les nervures de la batterie sur les rainures du souffleur électrique et insérer la batterie jusqu'à ce que le verrou du bloc-batterie soit en position fermée ; un déclic se fait alors entendre.



- 1. Position fermée
- 2. Position non fermée
- 3. Verrou du bloc-batterie
- 4. Bloc-batterie

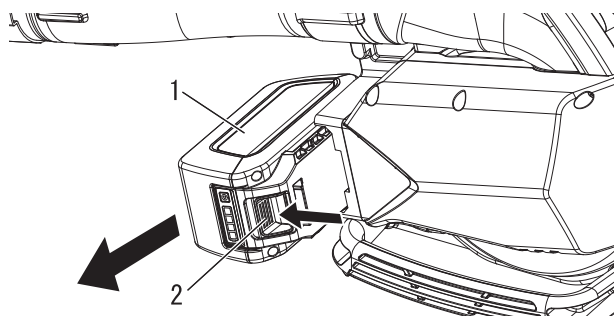
IMPORTANT

Avant d'utiliser le souffleur électrique, s'assurer que la batterie est correctement mise en place et le verrou du bloc-batterie en position fermée.

REMARQUE

- ♦ Le verrou du bloc-batterie est en position fermée lorsqu'il est correctement engagé.

Avant de commencer



1. Batterie

2. Verrou du bloc-batterie

Retrait de la batterie

1. Pour retirer la batterie, enfoncer le verrou du bloc-batterie et extraire la batterie du souffleur électrique.

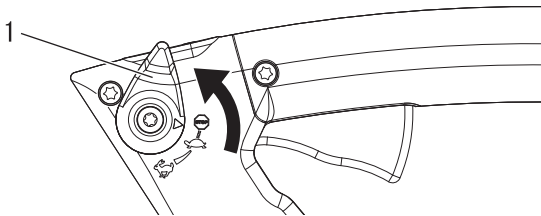
Démarrage et arrêt

Mise en marche de l'appareil

AVERTISSEMENT

○ Lors de la mise en marche de l'appareil, respecter les précautions décrites à la page 4 au chapitre « Pour utiliser l'appareil en toute sécurité » pour faire en sorte d'utiliser l'appareil correctement.

◆ Le non-respect de ces mesures de précaution constitue un risque d'accident et de blessures graves voire mortelles.



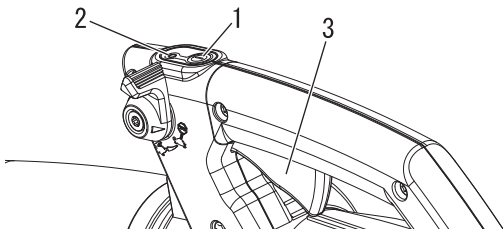
1. Levier de commande de vitesse

1. Pousser le levier de commande de vitesse à fond vers l'avant en position d'arrêt.
2. Appuyer brièvement sur le bouton d'alimentation pour mettre l'appareil sous tension.

REMARQUE

♦ La DEL du témoin d'alimentation s'allume lorsque l'appareil est sous tension.

3. Appuyer sur l'interrupteur à poussoir pour augmenter la vitesse du souffleur.



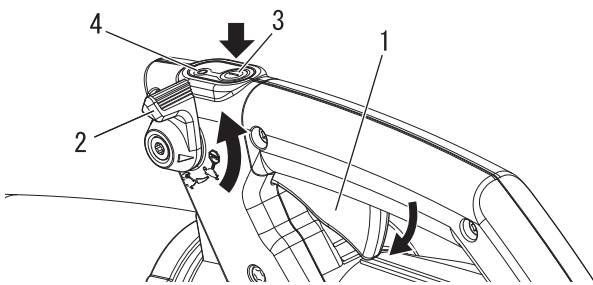
1. Bouton d'alimentation
2. DEL du témoin d'alimentation
3. Interrupteur à poussoir

IMPORTANT

Lorsque l'appareil est sous tension :

- ♦ Au bout d'une minute d'inactivité, il s'éteint tout seul.
- ♦ Si la DEL reste allumée, l'appareil fonctionne normalement.
- ♦ Si la DEL clignote une fois par seconde, la batterie doit être chargée.
- ♦ Si la DEL clignote quatre fois par seconde, l'appareil présente un défaut. Mettre l'appareil hors tension. Retirer la batterie. Enlever les débris autour de la turbine. Installer la batterie. Mettre l'appareil sous tension. Si le clignotement persiste, demander à un technicien agréé de réparer l'appareil.

Arrêt de l'appareil



1. Interrupteur à poussoir
2. Levier de commande de vitesse
3. Bouton d'alimentation
4. DEL du témoin d'alimentation

1. Levier de commande de vitesse
Relâcher l'interrupteur à poussoir et pousser le levier de commande de vitesse à fond vers l'avant (position d'arrêt), puis laisser le souffleur s'arrêter.
2. Appuyer sur le bouton d'alimentation pour mettre l'appareil hors tension.

REMARQUE

♦ La DEL du témoin d'alimentation s'éteint lorsque l'appareil est hors tension.

- * Si le bouton d'alimentation ne permet pas d'arrêter le souffleur, retirer la batterie pour couper l'alimentation de l'appareil. Demander à un technicien agréé ECHO de réparer le bouton d'alimentation avant d'utiliser à nouveau le souffleur. Si le souffleur ne s'arrête pas lorsque l'on relâche l'interrupteur et lorsque l'on pousse le levier de commande de vitesse à fond vers l'avant (position d'arrêt), retirer la batterie pour couper l'alimentation électrique de l'appareil. Demander à un technicien agréé ECHO de réparer l'appareil avant de l'utiliser à nouveau.

Fonctionnement du souffleur

AVERTISSEMENT

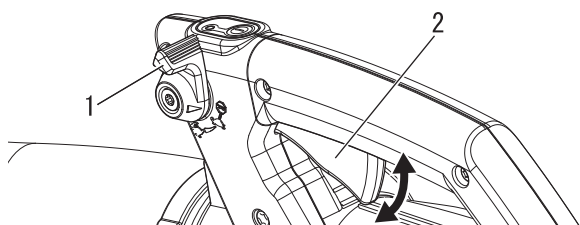
Toujours porter des lunettes de sécurité et prendre toutes les précautions de sécurité pour éviter un accident corporel grave. Ne pas diriger le tuyau de soufflage vers des personnes ou des animaux.

IMPORTANT

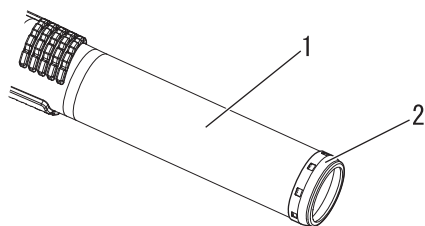
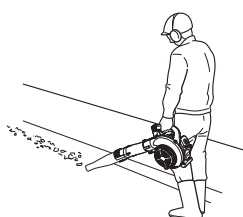
Pour éviter d'endommager le moteur, ne pas obstruer l'ouverture du tuyau de soufflage. Ne jamais faire tourner le souffleur sans avoir préalablement fixé les tuyaux de soufflage.

REMARQUE

Ne jamais utiliser l'appareil à un régime plus élevé que nécessaire. Rappel : plus la vitesse est élevée, plus le souffleur est bruyant. Utiliser le souffleur à bas régime afin de réduire le déplacement de poussière. Garder les débris sur le lieu de travail. Respecter le voisinage.



1. Levier de commande de vitesse 2. Interrupteur à poussoir



1. Tuyau droit 2. Anneau de protection en métal

♦ Lire attentivement le chapitre Sécurité.

1. Utiliser l'appareil uniquement aux heures appropriées.
2. Contrôler la vitesse du souffleur à l'aide de l'interrupteur à poussoir ou, pour une utilisation en continu, régler la vitesse du souffleur à l'aide du levier de commande de vitesse. Déplacer le levier de commande de vitesse vers l'avant pour réduire la vitesse et vers l'arrière pour augmenter la vitesse.
3. Utiliser l'appareil à bas régime pour souffler les herbes et les feuilles présentes dans les allées, les cours intérieures et les passages.
4. Pour souffler les feuilles présentes sur une pelouse ou un parterre de fleurs, il peut s'avérer nécessaire d'utiliser l'appareil à un régime supérieur.
5. Pour souffler du gravier, de la poussière, de la neige, des canettes ou des bouteilles vides présentes dans une allée, une rue, un parking ou un stade, il peut s'avérer nécessaire d'utiliser l'appareil à un régime encore supérieur.
6. Pour les travaux près d'une habitation, ne pas souffler d'air vers des fenêtres ouvertes. Des débris pourraient être soufflés dans ces fenêtres.
7. Détacher ou réduire les débris en morceaux à l'aide d'un râteau afin d'en faciliter le déplacement.
8. Humidifier les zones poussiéreuses avant de déplacer les débris, de manière à réduire la poussière en suspension dans l'air.
9. Toujours arrêter l'appareil en respectant la procédure d'arrêt.

ATTENTION

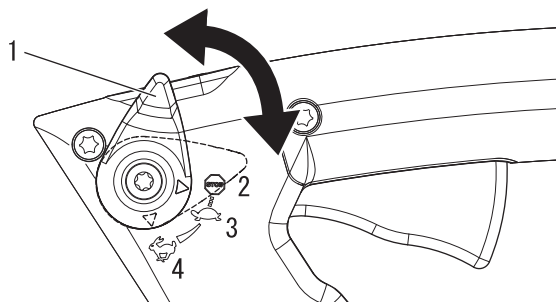
Une extrémité de tuyau droit touchant des surfaces abrasives peut créer un bord tranchant et entraîner des blessures en cas de contact. Ne pas érafler ou traîner une extrémité de tuyau lors de l'utilisation ou du transport de l'appareil. Remplacer l'ensemble de tuyau droit si l'anneau de protection en métal est usé, fendillé ou déformé.

Fonctionnement

Commande de vitesse

⚠ AVERTISSEMENT

Avant de raccorder un bloc-batterie au souffleur, toujours pousser le levier de commande de vitesse à fond vers l'avant en position d'arrêt. Négliger de vérifier que le levier est en position d'arrêt pourrait entraîner un démarrage accidentel du souffleur et des blessures graves. Ne pas bloquer l'interrupteur à poussoir dans les applications où il peut être nécessaire d'arrêter brusquement le souffleur.



- 1. Levier de commande de vitesse
- 2. Arrêt du souffleur
- 3. Vitesse minimale
- 4. Vitesse maximale

1. Déplacer le levier de commande de vitesse vers l'arrière du souffleur et en position d'ARRÊT, vitesse MINIMALE ou vitesse MAXIMALE.
2. Le souffleur va fonctionner en continu à la vitesse sélectionnée.
3. Pour arrêter le souffleur, pousser le levier de commande de vitesse à fond vers l'avant (position d'arrêt).

REMARQUE

Si la fonction de commande de vitesse est en cours d'utilisation au moment où l'on retire le bloc-batterie de l'outil, placer immédiatement le levier en position d'arrêt.

Instructions d'entretien de l'appareil

Pièce	Entretien	Page	Avant utilisation	Tous les mois
Batterie	Contrôler/nettoyer/charger	21	•	
Couvercle du boîtier	Contrôler/nettoyer	21	•	
Vis, boulons et écrous	Contrôler/serrer/remplacer	-	•	

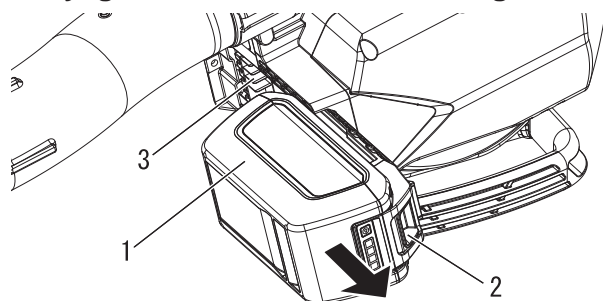
IMPORTANT

Les intervalles indiqués sont un maximum. La fréquence des opérations d'entretien varie en fonction de l'utilisation réelle de l'appareil et de l'expérience de l'utilisateur.

Entretien

En cas de questions ou de problèmes, contacter un REVENDEUR ECHO.

Nettoyage de la batterie et de son logement



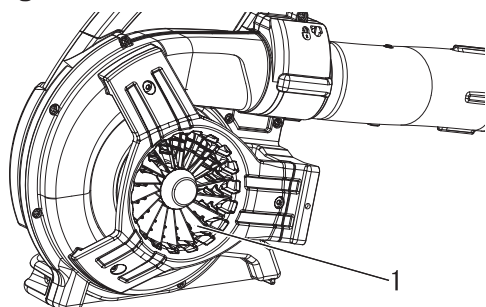
1. Batterie
2. Verrou du bloc-batterie
3. Logement de la batterie

⚠ AVERTISSEMENT

○ **Risque de choc électrique ou d'incendie. Ne pas utiliser de matériaux conducteurs pour nettoyer la batterie ou son logement.**

1. Relâcher l'interrupteur à poussoir et pousser le levier de commande de vitesse à fond vers l'avant (position d'arrêt), puis laisser le souffleur s'arrêter.
2. S'assurer que la DEL du témoin d'alimentation n'est pas allumée.
3. Appuyer sur le verrou du bloc-batterie et faire glisser le bloc-batterie hors de l'appareil.
4. Utiliser de l'air comprimé ou une brosse à poils souples pour enlever les débris de la batterie et de son logement.

Nettoyage du couvercle du boîtier



1. Couvercle du boîtier

Éliminer les poussières et autres déchets, y compris les feuilles mortes obstruant le couvercle du boîtier.

IMPORTANT

Ne pas déposer le couvercle du boîtier. Si nécessaire, consulter votre concessionnaire.

Entretien

Guide de dépannage

Problème	Cause	Solution
Voyant rouge du chargeur clignotant ou ne s'allumant pas	<ul style="list-style-type: none">♦ Fiche non branchée dans la prise d'alimentation♦ Bloc-batterie mal installé♦ Connexion obstruée♦ Défaut du chargeur♦ Défaut du bloc-batterie	<ul style="list-style-type: none">♦ Brancher le chargeur♦ Contrôler la pose du bloc-batterie♦ Réinstaller le bloc-batterie après avoir éliminé ce qui empêche la connexion♦ Consulter un revendeur ECHO♦ Consulter un revendeur ECHO
L'appareil ne se met pas en marche	<ul style="list-style-type: none">♦ Bloc-batterie mal installé	<ul style="list-style-type: none">♦ Contrôler la pose du bloc-batterie
L'appareil ne fonctionne pas lorsqu'il est mis en marche	<ul style="list-style-type: none">♦ Bloc-batterie déchargé♦ Bloc-batterie hors de la plage de température acceptable	<ul style="list-style-type: none">♦ Charger le bloc-batterie♦ Retirer le bloc-batterie et le laisser refroidir
Le temps d'utilisation est trop court	<ul style="list-style-type: none">♦ Bloc-batterie hors de la plage de température acceptable♦ Module électronique de l'appareil trop chaud♦ Bloc-batterie déchargé	<ul style="list-style-type: none">♦ Retirer le bloc-batterie et le laisser refroidir♦ Éteindre l'appareil et laisser refroidir♦ Charger le bloc-batterie
L'appareil fonctionne mais ne souffle pas ou souffle faiblement	<ul style="list-style-type: none">♦ Tuyau de soufflage obstrué♦ Tuyau de soufflage desserré♦ Tuyau de soufflage endommagé♦ Entrée d'air colmatée♦ Défaut au niveau de la turbine	<ul style="list-style-type: none">♦ Déboucher le tuyau♦ Serrer le tuyau♦ Remplacer le tuyau♦ Déboucher l'entrée d'air♦ Consulter un revendeur ECHO
Appareil vibrant de façon excessive	<ul style="list-style-type: none">♦ Défaut des pièces internes	<ul style="list-style-type: none">♦ Consulter un revendeur ECHO

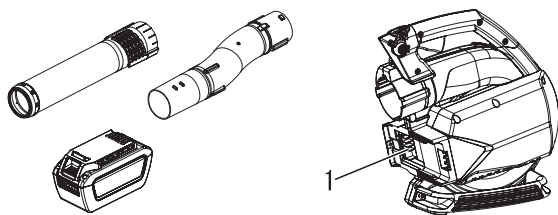
- ♦ La vérification et l'entretien de l'appareil nécessitent des connaissances spécialisées. Si l'utilisateur ne possède pas les compétences requises pour effectuer les opérations de vérification et d'entretien de l'appareil ou pour remédier à un dysfonctionnement, il doit consulter un revendeur ECHO. Ne pas essayer de démonter l'appareil.
- ♦ En cas de problème différent de ceux décrits dans le tableau ci-dessus, consulter un revendeur.
- ♦ En ce qui concerne les pièces de rechange et les consommables, utiliser uniquement des pièces d'origine et les produits et composants recommandés. L'utilisation de pièces d'autres marques ou de composants inappropriés peut entraîner un dysfonctionnement de l'appareil.

Remisage

AVERTISSEMENT

Ne pas remiser dans une enceinte où une accumulation de vapeurs inflammables est susceptible de se produire.
Il existe un risque d'incendie.

Si l'appareil doit être remisé pendant une longue période, respecter les instructions de remisage suivantes.



1. Logement de la batterie

Souffleur électrique rechargeable

Ne pas remiser l'appareil sans avoir préalablement effectué les opérations d'entretien préventives spécifiques au remisage, qui comprennent les mesures suivantes :

1. Mettre l'appareil hors tension.
2. Retirer la batterie du souffleur.
3. Éliminer la saleté et les débris accumulés à l'extérieur de l'appareil.
4. Serrer l'ensemble des vis et écrous.
5. Enlever l'ensemble des tuyaux de soufflage de l'appareil.
6. Couvrir le logement de batterie du souffleur.
7. Entreposer l'appareil dans un endroit sec, à l'abri de la poussière.

Batterie

1. Retirer la batterie du souffleur.
2. Remiser dans un endroit sec, non poussiéreux et hors de portée des enfants.
3. Remiser à une température comprise entre -20 (-4 °F) et 60 °C (140 °F).
4. Si la batterie est remisée pendant plus d'un an, il convient de la charger à environ 40 à 60 % de sa capacité.

Chargeur de batteries

1. Retirer la batterie du chargeur de batteries.
2. Débrancher le chargeur de batteries de l'alimentation électrique.
3. Remiser dans un endroit sec, à l'abri de la poussière.

Mise au rebut



- ♦ Les pièces plastiques principales de l'appareil portent des codes indiquant la nature de leurs matériaux de composition. Ces codes font référence aux matériaux suivants ; procéder à l'élimination de ces pièces plastiques conformément à la législation locale en vigueur.

Code	Matériau
>PA6-GF<	Nylon 6 - Fibre de verre
>PP-GF<	Polypropylène - Fibre de verre
>PE-HD<	Polyéthylène

- ♦ La batterie contient du lithium. Effectuer la mise au rebut uniquement dans un site de ramassage désigné.
- ♦ Recycler ou mettre au rebut les batteries au lithium-ion comme il se doit.
- ♦ Si vous ne connaissez pas la procédure à suivre pour mettre au rebut des pièces plastiques, contactez votre revendeur ECHO.

Caractéristiques

		DPB-600
Masse :		
avec tuyaux de soufflage, sans batterie	kg	3,2
avec tuyaux de soufflage et batterie	kg	5,0
Dimensions externes (sans tuyaux de soufflage) :		
Longueur	mm	353
Largeur	mm	187
Hauteur	mm	336
Volume d'air :	m ³ /h	648
Vitesse maximale de l'air :	m/s	72,5
Batterie :		
Type		Li-ion
Tension du bloc	V	56 (tension nominale 50,4)
Type de chargeur		CCCV
Tension d'entrée du chargeur	V	230 - 240 CA
Voyants du chargeur de batteries :		DEL rouge – batterie hors de la plage de température de charge DEL rouge clignotante – défaut DEL verte – mise en charge de la batterie terminée DEL verte clignotante – batterie en cours de charge normale
Temps de charge :		Batterie LBP-560-100 : environ 42 minutes. Batterie LBP-560-200 : environ 88 minutes.
Niveau de pression sonore : (EN 50636-2-100)	dB(A)	81,9
Niveau de puissance sonore : (EN 50636-2-100)	dB(A)	94
Incertitude	dB(A)	3
Niveaux de vibrations : (EN 50636-2-100)	m/s ²	0,7
Incertitude : K	m/s ²	1,5

Ces caractéristiques sont susceptibles d'être modifiées sans préavis.

- La valeur totale déclarée pour les vibrations a été mesurée conformément à une méthode d'épreuve normalisée et peut être utilisée pour comparer un outil à un autre.
- La valeur totale déclarée pour les vibrations peut également être utilisée dans une évaluation préliminaire de l'exposition.

Déclaration de conformité

Le fabricant soussigné :

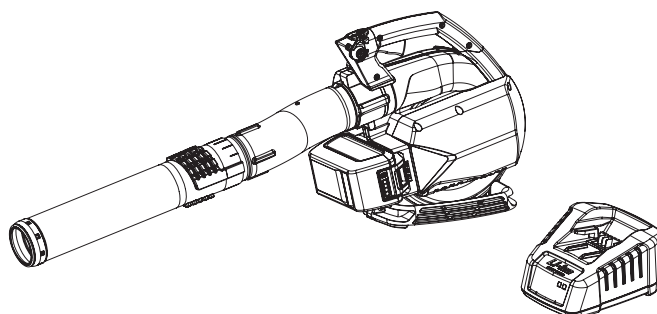
YAMABIKO CORPORATION
7-2 SUEHIROCHO 1-CHOME
OHME ; TOKYO 198-8760
JAPON

Cette déclaration de conformité est délivrée sous la seule responsabilité du fabricant.

Déclare que l'appareil neuf désigné ci-après :

**SOUFFLEUR
CHARGEUR DE BATTERIES**

**Marque : ECHO
Type : DPB-600
LCJQ-560**



assemblé par :

ECHO, INCORPORATED
400 Oakwood Road
Lake Zurich, Illinois 60047-1564
États-Unis

Est conforme :

- * aux exigences de la directive **2006/42/CE** (utilisation des normes harmonisées **EN 60335-1: 2012, EN 50636-2-100: 2014**)
- * aux exigences de la directive **2014/30/UE** (utilisation des normes harmonisées **EN 55014-1: 2006, EN 55014-2: 1997, EN 61000-3-2: 2006 et EN 61000-3-3: 2008**)
- * aux exigences de la directive **2014/35/UE** (utilisation des normes harmonisées **EN 60335-1: 2012, EN 60335-2-29: 2004 et EN 62233: 2008**)
- * aux exigences de la directive **2000/14/CE**

Procédure d'évaluation de la conformité suivant l'**ANNEXE V**

- * aux exigences de la directive **2011/65/UE** (utilisation de la norme harmonisée **EN 50581: 2012**)

Niveau de puissance sonore mesuré : **94 dB(A)**

Niveau de puissance sonore garanti : **97 dB(A)**

DPB-600

Numéro de série 35001001 et suivants

LCJQ-560

Numéro de série 35001001 et suivants

Tokyo, le 1er juillet 2016

YAMABIKO CORPORATION

Masayuki Kimura

Masayuki Kimura

**Directeur général
Service Assurance qualité**

Représentant autorisé en Europe, autorisé à constituer le dossier technique.

Société : Atlantic Bridge Limited

Adresse : Atlantic House, PO Box 4800,

Earley, Reading RG5 4GB, Royaume-Uni

M. Philip Wicks

NOTES

YAMABIKO CORPORATION

7-2 SUEHIROCHO 1-CHOME, OHME, TOKYO 198-8760, JAPON

TÉLÉPHONE : 81-428-32-6118. FAX : 81-428-32-6145.

The logo for ECHO, featuring the word "ECHO" in a bold, italicized, sans-serif font. The letter "E" is stylized with three vertical bars to its left, creating a sense of motion or sound. A registered trademark symbol (®) is located at the bottom right of the word.

X750-027 39 0

X750 821-010 1



DE
DEUTSCH
(Original-Anleitung)

BEDIENUNGSANLEITUNG

AKKU-LAUBBLÄSER DPB-600

WARNUNG



LESEN SIE DIE BEDIENUNGSANLEITUNG SORGFÄLTIG DURCH, UND BEFOLGEN SIE DIE SICHERHEITSREGELN. ANDERNFALLS BESTEHT DAS RISIKO SCHWERER VERLETZUNGEN.



Wichtige Informationen

Lesen Sie unbedingt die Bedienungsanleitung, bevor Sie das Produkt verwenden.

○ Bestimmungsgemäßer Gebrauch dieses Produkts

- ♦ ECHO Akku-Laubbläser sind darauf ausgelegt, verschiedene Arten Schmutz und Laub zusammen zu blasen.
- ♦ Gebrauchen Sie das Produkt für keinen anderen als den vorgesehenen Zweck.

○ Anwender des Produkts

- ♦ Verwenden Sie dieses Produkt erst, nachdem Sie die Bedienungsanleitung sorgfältig gelesen und den Inhalt genau verstanden haben.
- ♦ Das Produkt darf von keiner Person verwendet werden, die die Bedienungsanleitung nicht gelesen hat, an Erkältung, Müdigkeit oder einer anderen körperlichen Schwäche leidet. Das Produkt darf nicht von Kindern verwendet werden.
- ♦ Seien Sie sich bewusst, dass der Benutzer für Unfälle bzw. Gefährdungen anderer Personen oder deren Eigentum verantwortlich ist.

○ Allgemeines zu dieser Bedienungsanleitung

- ♦ Diese Bedienungsanleitung enthält wichtige Informationen über die Bedienung und Instandhaltung Ihres Produkts. Bitte lesen Sie sie sorgfältig durch, und machen Sie sich mit dem Inhalt vertraut.
- ♦ Bewahren Sie die Anleitung stets an einem schnell zugänglichen Ort auf.
- ♦ Sollte die Anleitung verloren gehen oder aufgrund von Beschädigungen nicht mehr lesbar sein, besorgen Sie sich bitte eine neue Anleitung von Ihrem ECHO-Händler.
- ♦ Die in dieser Anleitung verwendeten Einheiten sind SI-Einheiten (Système International d'unités; Internationales Einheitensystem). Zahlenangaben in Klammern sind Referenzwerte, bei denen mitunter geringe Umrechnungsfehler vorliegen können.

○ Verleihen oder Übereignen des Produkts

- ♦ Wenn Sie das in dieser Anleitung beschriebene Produkt verleihen, muss die Person, die das Produkt ausleiht und verwendet, auch die zugehörige Bedienungsanleitung erhalten. Wenn Sie das Produkt einer anderen Person übereignen, muss die Bedienungsanleitung zusammen mit dem Produkt ausgehändigt werden.

○ Anfragen

- ♦ Wenden Sie sich mit Fragen zum Produkt, zu Ersatzteilen und Reparaturen und dergleichen bitte an Ihren ECHO-HÄNDLER.

○ Anmerkungen

- ♦ Um Weiterentwicklungen des Produkts Rechnung zu tragen, bleiben dem Hersteller Änderungen am Inhalt dieser Anleitung vorbehalten. Einige Abbildungen in dieser Anleitung können vom Produkt abweichen, um Sachverhalte klarer darzustellen.
- ♦ Vor Inbetriebnahme des Produkts müssen einige Teile montiert werden.
- ♦ Bei Unklarheiten oder Problemen wenden Sie sich bitte an Ihren ECHO-Händler.

Hersteller

YAMABIKO CORPORATION

7-2 SUEHIROCHO 1-CHOME, OHME, TOKIO 198-8760, JAPAN

Autorisierte Vertretung in Europa

Atlantic Bridge Limited

Atlantic House, PO Box 4800, Earley, Reading RG5 4GB, Vereingtes Königreich

Sichere Verwendung des Produkts	4
Warnhinweise	4
Sonstige Kennzeichnungen	4
Symbole.....	4
Stelle, an der sich der Sicherheitsaufkleber befindet.....	5
Umgang mit dem Produkt.....	6
Packliste	12
Beschreibung.....	13
Bevor Sie beginnen	14
Zusammenbau.....	14
Starten und Stoppen.....	18
Starten des Geräts	18
Stoppen des Geräts.....	18
Betrieb	19
Betrieb des Bläasers.....	19
Wartung und Pflege	21
Wartungsrichtlinien	21
Wartung und Pflege.....	21
Fehlerbehebung	22
LAGERUNG.....	23
Entsorgung	24
Technische Daten.....	25
Konformitätserklärung.....	26

Sichere Verwendung des Produkts

Lesen Sie diesen Abschnitt unbedingt durch, bevor Sie das Produkt verwenden.




○ Er enthält wichtige Informationen zum Thema Sicherheit. Befolgen Sie die Anweisungen sorgfältig.

○ Lesen Sie außerdem die Sicherheitshinweise im Hauptteil dieser Bedienungsanleitung.

In Textabschnitten, die mit einem [diamond mark]-Symbol beginnen, werden die möglichen Folgen einer Nichtbeachtung von Sicherheitshinweisen beschrieben.


Warnhinweise

Auf Situationen, in denen eine Verletzungsgefahr für den Bediener und andere Personen besteht, wird in dieser Anleitung und auf dem Produkt selbst durch die nachstehenden Warnhinweise aufmerksam gemacht. Lesen Sie diese Warnhinweise genau durch, und befolgen Sie sie, um sicheres Arbeiten zu gewährleisten.

 GEFAHR	 WARNUNG	 VORSICHT
Dieses Symbol in Verbindung mit dem Wort „ GEFAHR “ macht auf Handlungen oder Bedingungen aufmerksam, die zu schweren Verletzungen oder zum Tod von Bediener und umstehenden Personen führen.	Dieses Symbol in Verbindung mit dem Wort „ WARNUNG “ macht auf Handlungen oder Bedingungen aufmerksam, die zu schweren Verletzungen oder zum Tod von Bediener und umstehenden Personen führen können.	„ VORSICHT “ warnt vor einer Gefahrensituation, in der es zu leichten bis mäßigen Verletzungen kommen kann.









Sonstige Kennzeichnungen

Zusätzlich zu den Warnhinweisen werden in dieser Anleitung folgende erklärende Symbole verwendet:



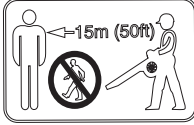



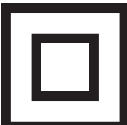

	Kreis mit umgekehrtem Schrägstrich bedeutet, dass das Dargestellte unzulässig ist.	HINWEIS	WICHTIG
		Hinweise dieser Art enthalten Tipps zur Verwendung, Pflege und Wartung des Produkts.	Umrahmter Text mit der Überschrift „ WICHTIG “ enthält wichtige Informationen zur Verwendung, Überprüfung, Wartung und Lagerung des in dieser Anleitung beschriebenen Produkts.

Symbole

In dieser Anleitung und auf dem Produkt selbst werden verschiedene erklärende Symbole verwendet. Wichtig ist, dass Sie die Bedeutung der einzelnen Symbole genau verstehen.

Symbol	Beschreibung des Symbols	Symbol	Beschreibung des Symbols
	Lesen Sie die Bedienungsanleitung sorgfältig durch		Tragen Sie Augenschutz
	Sicherheit/Alarm		Gefahr der Fingerabtrennung
	Achtung, Stromschlag-Gefahr		Achtung, heiße Bereiche
	Stopp		Langsame Drehzahl

Sichere Verwendung des Produkts

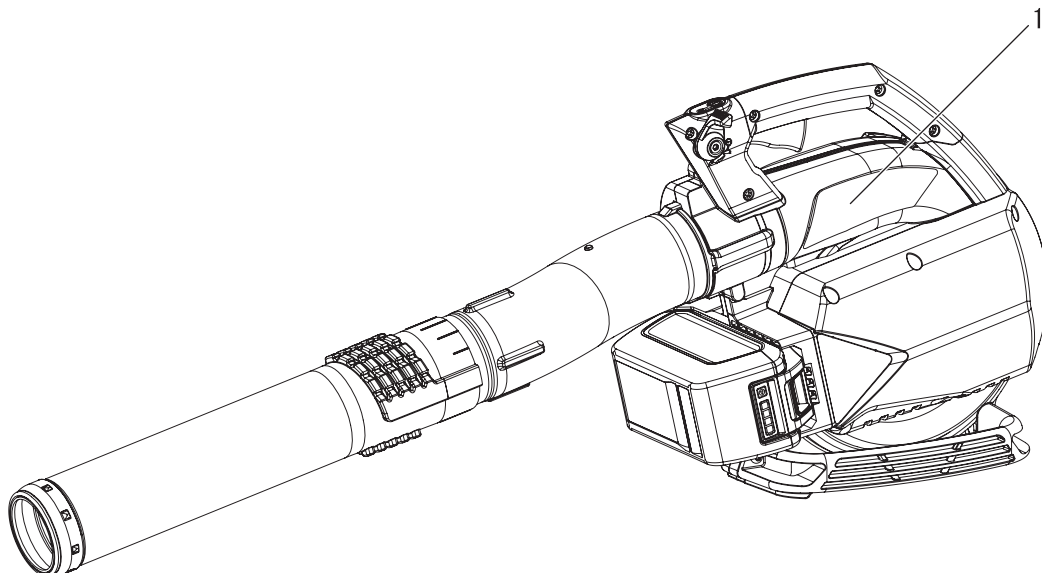
Symbol	Beschreibung des Symbols	Symbol	Beschreibung des Symbols
	Nie im Regen oder an feuchten Orten betreiben		Hohe Drehzahl
	Passanten auf einen Abstand von 15 m halten		Schutz der Umwelt!
	Garantierter Schalleistungspegel		Volt
	Klasse II	 oder DC	Gleichstrom

Stelle, an der sich der Sicherheitsaufkleber befindet

- Das in dieser Anleitung beschriebene Produkt ist mit dem unten dargestellten Sicherheitsaufkleber versehen. Machen Sie sich die Bedeutung des Sicherheitsaufklebers bewusst, bevor Sie das Produkt verwenden.
- Wenn der Sicherheitsaufkleber abgerieben oder beschädigt und nicht mehr lesbar ist oder sich abgelöst hat, besorgen Sie bitte einen neuen Sicherheitsaufkleber von Ihrem Händler, und bringen Sie ihn an der in der Abbildung unten gezeigten Stelle an. Der Sicherheitsaufkleber muss stets gut lesbar sein.



1. Sicherheitsaufkleber (Teilenummer X505008910)



Sichere Verwendung des Produkts

Umgang mit dem Produkt

Allgemeine Sicherheitswarnungen zu Elektrowerkzeugen

WARNUNG

Lesen Sie alle Sicherheitswarnungen und alle Anweisungen.

Wenn die nachstehenden Warnungen und Anweisungen nicht beachtet werden, besteht die Gefahr von Stromschlag, Brand und/oder schweren Verletzungen.

Bewahren Sie alle Warnhinweise und Anweisungen zum Nachschlagen auf.

Der Begriff „Elektrowerkzeug“ in den Warnhinweisen bezieht sich auf ein netzbetriebenes (kabelgebundenes) Elektrowerkzeug oder ein akkubetriebenes (kabelloses) Elektrowerkzeug.

Sicherheit im Arbeitsbereich

○ **Sorgen Sie dafür, dass der Arbeitsbereich aufgeräumt und gut beleuchtet ist.**

◆ Unordentliche und dunkle Arbeitsbereiche bedeuten Unfallgefahr.

○ **Betreiben Sie Elektrowerkzeuge nicht in explosionsgefährdeten Bereichen, wie sie z. B. durch brennbare Flüssigkeiten, Gase oder Stäube in der Umgebung entstehen.**

◆ Elektrowerkzeuge können Funken erzeugen, und diese können die Stäube oder Dämpfe entzünden.

○ **Halten Sie bei der Arbeit mit einem Elektrowerkzeug Kinder und Umstehende fern.**

◆ Wenn Sie abgelenkt werden, können Sie die Kontrolle über das Werkzeug verlieren.

Elektrische Sicherheit

○ **Elektrowerkzeugstecker müssen passend für die Steckdose sein. Verändern Sie den Stecker in keiner Weise. Verwenden Sie in Verbindung mit geerdeten Elektrowerkzeugen keine Adapterstecker.**

◆ Unveränderte Stecker und passende Steckdosen mindern das Risiko eines elektrischen Schlags.

○ **Vermeiden Sie den Körperkontakt mit geerdeten Flächen wie Rohren, Heizkörpern, Öfen und Kühlschränken.**

◆ Das Risiko eines elektrischen Schlags ist höher, wenn Ihr Körper geerdet wird.

○ **Setzen Sie Elektrowerkzeuge nie Regen oder Nässe aus.**

◆ Wasser, das in ein Elektrowerkzeug eindringt, erhöht das Risiko eines elektrischen Schlags.

○ **Missbrauchen Sie das Kabel nicht. Gebrauchen Sie das Kabel nie zum Tragen, Ziehen oder Ausstecken des Elektrowerkzeugs. Halten Sie das Kabel fern von Hitze, Öl, scharfen Kanten und beweglichen Teilen.**

◆ Beschädigte oder verhedderte Kabel erhöhen das Risiko eines elektrischen Schlags.

○ **Verwenden Sie beim Einsatz eines Elektrowerkzeugs im Freien ein für den Außenbereich geeignetes Verlängerungskabel.**

◆ Die Verwendung eines für den Außenbereich geeigneten Kabels vermindert das Risiko eines elektrischen Schlags.

○ **Wenn der Einsatz eines Elektrowerkzeugs an einem feuchten Ort unvermeidlich ist, verwenden Sie eine Stromquelle mit Fehlerstrom-/Differenzstrom-Schutzschalter.**

◆ Die Verwendung eines Fehlerstrom-/Differenzstrom-Schutzschalters vermindert das Risiko eines elektrischen Schlags.

Persönliche Sicherheit

○ **Seien Sie bei der Arbeit mit einem Elektrowerkzeug aufmerksam, konzentrieren Sie sich auf das, was Sie tun, handeln Sie umsichtig und vernünftig. Gebrauchen Sie ein Elektrowerkzeug nicht, wenn Sie müde sind oder unter dem Einfluss von Drogen, Alkohol oder Medikamenten stehen.**

◆ Ein Moment der Unachtsamkeit beim Betrieb von Elektrowerkzeugen kann dazu führen, dass Personen schwer verletzt werden.

○ **Tragen Sie persönliche Schutzausrüstung. Tragen Sie immer einen Augenschutz.**

◆ Den Bedingungen angemessene Schutzausrüstung wie Staubmaske, Schuhwerk mit rutschfesten Sohlen, Schutzhelm und Gehörschutz vermindert die Verletzungsgefahr.

○ **Verhindern Sie, dass das Werkzeug unbeabsichtigt in Gang gesetzt wird. Achten Sie darauf, dass der Schalter ausgeschaltet ist, bevor Sie die Verbindung zur Stromquelle oder mit dem Akku herstellen und bevor Sie das Werkzeug aufnehmen und tragen.**

◆ Das Tragen von Elektrowerkzeugen mit dem Finger am Schalter und das Herstellen der Stromzufuhr zu Elektrowerkzeugen bei eingeschaltetem Schalter bedeuten Unfallgefahr.

○ **Entfernen Sie vor dem Einschalten des Elektrowerkzeugs eventuell benutzte Einstellschlüssel, Schraubenschlüssel usw.**

◆ Ein Schrauben- oder Einstellschlüssel, der an einem drehenden Teil des Elektrowerkzeugs vergessen wird, bedeutet Verletzungsgefahr.

○ **Beugen Sie sich nicht zu weit über. Achten Sie stets auf sicheren Tritt und Stand, und halten Sie das Gleichgewicht.**

◆ So behalten Sie das Elektrowerkzeug auch in einer unvorhergesehenen Situation besser unter Kontrolle.

○ **Achten Sie auf angemessene Kleidung. Tragen Sie keine lose sitzende Kleidung oder losen Schmuck. Bleiben Sie mit Haaren, Kleidung und Handschuhen weg von drehenden Teilen.**

◆ Lose sitzende Kleidung, Schmuck und langes Haar können sich in beweglichen Teilen verfangen.

○ **Bei Geräten mit Vorrichtung für eine Staubabsaug- und Staubsammeleinrichtung stellen Sie sicher, dass diese angeschlossen ist und wie vorgesehen genutzt wird.**

◆ Solche Einrichtungen können Gefahren durch Staub mindern.

Die Schwingungsemissionen, die im praktischen Gebrauch des Elektrowerkzeugs auftreten, können von dem deklarierten Vibrationsgesamtwert abweichen; abhängig ist dies von der Art, wie das Werkzeug eingesetzt wird, und der Notwendigkeit, Sicherheitsmaßnahmen zum Schutz des Bedieners festzulegen, die sich nach der geschätzten Exposition unter praktischen Arbeitsbedingungen richten (und die den vollständigen Arbeitszyklus, also neben der Betriebszeit auch Ausschaltzeiten und Leerlaufzeiten berücksichtigen).

Sichere Verwendung des Produkts

WARNUNG

Gebrauch und Pflege von Elektrowerkzeugen

- **Überbeanspruchen Sie das Elektrowerkzeug nicht. Wählen Sie das richtige Elektrowerkzeug für die Aufgabe.**
- ◆ Ein für die betreffende Aufgabe richtig bemessenes und ausgelegtes Elektrowerkzeug erledigt die Aufgabe besser und sicherer.
- **Gebrauchen Sie das Elektrowerkzeug nicht, wenn der Ein- und Ausschalter nicht funktioniert.**
- ◆ Ein Elektrowerkzeug, dessen Schalter nicht funktionieren, ist gefährlich und muss repariert werden.
- **Trennen Sie den Stecker von der Stromquelle bzw. bauen Sie den Akku aus, bevor Sie an Elektrowerkzeugen Einstellungen vornehmen, Gerätezubehör wechseln oder die Werkzeuge lagern.**
- ◆ Solche Vorsichtsmaßnahmen mindern das Risiko, dass das Elektrowerkzeug unbeabsichtigt in Gang gesetzt wird.
- **Halten Sie Elektrowerkzeuge außer Reichweite von Kindern, und verhindern Sie, dass Personen, die mit dem Werkzeug und diesen Anweisungen nicht vertraut sind, Umgang mit dem Werkzeug haben.**
- ◆ Elektrowerkzeuge stellen in Händen ungeübter Nutzer eine Gefahr dar.
- **Halten Sie Elektrowerkzeuge instand. Achten Sie auf Fluchtungsfehler, auf festgegangene oder gebrochene Teile und andere Umstände, die den sicheren Einsatz des Elektrowerkzeugs gefährden können. Lassen Sie ein schadhaftes Elektrowerkzeug vor dem Gebrauch reparieren.**
- ◆ Viele Unfälle gehen auf schlecht gewartete Elektrowerkzeuge zurück.
- **Halten Sie Schneidwerkzeuge scharf und sauber.**
- ◆ Ordentlich instand gehaltene Schneidwerkzeuge mit scharfen Schneidkanten fressen nicht so leicht fest und sind leichter zu führen.
- **Gebrauchen Sie das Elektrowerkzeug, Zubehör, Wechselwerkzeuge usw. wie in dieser Anleitung beschrieben und unter Berücksichtigung der Arbeitsbedingungen und der durchzuführenden Arbeit.**
- ◆ Der nicht bestimmungsgemäße Gebrauch des Elektrowerkzeugs stellt eine Gefahr dar.

Gebrauch und Pflege von Akkuwerkzeugen

- **Laden Sie Akkus nur mit dem vom Hersteller angegebenen Ladegerät.**
- ◆ Ein Ladegerät, das für den einen Akku geeignet ist, kann bei einem anderen Akku einen Brand verursachen.
- **Betreiben Sie Elektrowerkzeuge nur mit den speziell vorgesehenen Akkus.**
- ◆ Bei der Verwendung anderer Akkus kann Verletzungs- und Brandgefahr bestehen.
- **Halten Sie einen Akku, der nicht in Gebrauch ist, von anderen metallischen Gegenständen, wie Büroklammern, Schlüsseln, Nägeln, Schrauben und dergleichen Kleinteilen fern, die eine leitende Verbindung zwischen den Polen herstellen können.**
- ◆ Beim Kurzschließen der Akkupole besteht die Gefahr von Brandverletzungen und Brandgefahr.
- **Bei falscher Behandlung des Akkus kann Flüssigkeit aus dem Akku treten – vermeiden Sie den Kontakt. Nach versehentlichem Kontakt spülen Sie die betroffene Stelle mit Wasser. Wenn die Flüssigkeit in die Augen gerät, begeben Sie sich außerdem in ärztliche Behandlung.**
- ◆ Ausgelaufene Akkusäure kann Reizungen und Verätzungen hervorrufen.

Wartung

- **Lassen Sie das Elektrowerkzeug von einer qualifizierten Reparaturwerkstatt mit identischen Ersatzteilen warten.**
- ◆ Dadurch ist gewährleistet, dass die Gerätesicherheit erhalten bleibt.

Sichere Verwendung des Produkts

Allgemeine Sicherheitsregeln

WARNUNG

Bedienungsanleitung

- Lesen Sie die Bedienungsanleitung vor der Inbetriebnahme des Produkts aufmerksam durch, um eine korrekte Bedienung zu gewährleisten.
- ◆ Andernfalls kann es zu Unfällen bzw. schweren Verletzungen kommen.



Produkt nur für den vorgesehenen Zweck verwenden

- Das Produkt darf nicht für andere als die in dieser Bedienungsanleitung genannten Zwecke verwendet werden.
- ◆ Andernfalls kann es zu Unfällen bzw. schweren Verletzungen kommen.

Keine Veränderungen am Produkt vornehmen

- An dem Produkt dürfen keine Veränderungen vorgenommen werden.
- ◆ Andernfalls kann es zu Unfällen bzw. schweren Verletzungen kommen. Funktionsfehler, die auf Veränderungen am Produkt zurückzuführen sind, fallen nicht unter die Herstellergarantie.

Produkt nur verwenden, wenn es überprüft und gewartet wurde

- Das Produkt darf nur verwendet werden, wenn es überprüft und gewartet wurde. Die Überprüfung und Wartung des Produkts muss regelmäßig durchgeführt werden.
- ◆ Andernfalls kann es zu Unfällen bzw. schweren Verletzungen kommen.

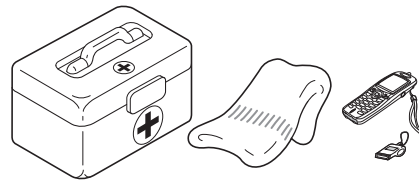
Verleihen oder Übereignen des Produkts

- Wenn Sie das Produkt verleihen, muss die ausleihende Person auch die zugehörige Bedienungsanleitung erhalten.
- Wenn Sie das Produkt einer anderen Person übereignen, muss die Bedienungsanleitung zusammen mit dem Produkt ausgehändigt werden.
- ◆ Andernfalls kann es zu Unfällen bzw. schweren Verletzungen kommen.

Vorsorge für den Fall von Verletzungen

Für den unwahrscheinlichen Fall, dass es dennoch zu Verletzungen kommt, sollten Sie folgende Dinge vorbereitet haben:

- Verbandskasten
- Hand- und Wischtücher (um etwaige Blutungen zu stoppen)
- Trillerpfeife oder Mobiltelefon (um Hilfe rufen zu können)
- ◆ Wenn Sie weder erste Hilfe leisten noch Hilfe rufen können, kann sich die Verletzung verschlimmern.



Sichere Verwendung des Produkts

Sicherheitsregeln für die Benutzung

WARNUNG

Anwender des Produkts

Das Produkt darf von folgenden Personen nicht gebraucht werden:

- übermüdete Personen
- alkoholisierte Personen
- unter Medikamenteneinfluss stehende Personen
- schwangere Frauen
- Personen in schlechter körperlicher Verfassung
- Personen, die die Bedienungsanleitung nicht gelesen haben
- Kinder



- ◆ Eine Nichtbefolgung dieser Anweisungen kann zu Unfällen führen.
- Dieses Produkt erzeugt während des Betriebs elektromagnetische Felder. Magnetfelder können Störungen oder Ausfälle bei Herzschrittmachern verursachen. Um Gesundheitsrisiken zu reduzieren, empfehlen wir, dass Personen mit Herzschrittmachern vor dem Betrieb dieses Produkts ihren Arzt und den Hersteller des Herzschrittmachers konsultieren.

Arbeitsumgebung und Bedienung

- Produkt nicht verwenden**
 - ◆ In feuchten oder nassen Umgebungen.
 - ◆ bei Regen.
 - ◆ unter schlechten Wetterbedingungen.
 - ◆ Andernfalls kann es zu Unfällen bzw. schweren Verletzungen kommen.
- Verwenden Sie das Produkt nicht an Orten ohne sicheren Untergrund, etwa an steilen Hängen oder nach Regengüssen, da solche Stellen rutschig und gefährlich sind.**
- Verwenden Sie das Gerät nicht nachts oder an dunklen Stellen mit schlechten Sichtverhältnissen.**
 - ◆ Wenn Sie fallen oder ausrutschen oder das Produkt nicht mehr voll beherrschen, kann dies zu schweren Verletzungen führen.



Gefahrenzone im 15-m-Radius

Der Bereich in einem Radius von 15 m rund um dieses Produkt gilt als Gefahrenzone. Beachten Sie bei der Arbeit mit diesem Produkt folgende Sicherheitsregeln:

- Lassen Sie keine Personen (insbesondere Kinder) oder Tiere in die Gefahrenzone.**
- Wenn eine andere Person die Gefahrenzone betritt, schalten Sie das Gerät aus.**
- Wenn Sie sich dem Bediener nähern möchten, signalisieren Sie ihm Ihre Absicht, indem Sie z. B. Zweige von außerhalb der Gefahrenzone werfen, und prüfen Sie dann, dass das Gerät abgestellt wurde.**
- Wenn mehrere Personen mit dem Produkt arbeiten, vereinbaren Sie eine Art der gegenseitigen Kommunikation, und arbeiten Sie mit mindestens 15 m Abstand voneinander.**
 - ◆ Ausgeworfene Gegenstände können ernstliche Verletzung des Bediener oder Personen in dessen Umfeld verursachen.

Arbeiten mit dem Produkt

Achten Sie bei der Arbeit mit dem Produkt besonders auf folgende Sicherheitsanweisungen:

- Richten Sie das Rohr nicht auf Menschen oder Tiere.**
- Arbeiten Sie nicht in Bereichen ohne ausreichenden Halt.**
- Halten Sie den Griff fest.**
- Arbeiten Sie nicht spät nachts oder früh morgens, da sich Anwohner vom Geräusch gestört fühlen.**
 - ◆ Bei Nichtbeachtung dieser Anweisungen kann es zu Unfällen mit Verletzungsfolge kommen.

Gerät beim Wechsel des Arbeitsorts abstellen

Stellen Sie das Gerät ab, wenn Sie den Arbeitsort wechseln, wie unten beschrieben.

- Sie suchen Ihren Arbeitsbereich auf.**
- Sie wechseln im Verlauf der Arbeit den Arbeitsbereich.**
- Sie verlassen Ihren bisherigen Arbeitsbereich.**
 - ◆ Bei Nichtbeachtung dieser Sicherheitsregeln können Verbrennungen oder andere schwere Verletzungen die Folge sein.
- Entfernen Sie den Akku des Geräts zum Transport in Kraftfahrzeugen, und sichern Sie das Gerät so, dass es nicht verrutschen kann.**

Vorsicht mit dem Gebläse!

- Lassen Sie Ihre Haare nicht in das Gebläse gelangen!**
 - ◆ Ihre Hand oder Gegenstände können ins Gebläse gesaugt und schwer verletzt bzw. beschädigt werden.

Vibration und Kälte

Es wird vermutet, dass das Raynaud-Syndrom, das die Finger mancher Menschen befällt, durch stark vibrierende Arbeitsgeräte und dem Arbeiten bei Kälte herbeigeführt wird. Durch stark vibrierende Arbeitsgeräte und das Arbeiten bei Kälte kann sich ein Prickeln und Brennen bemerkbar machen, dem sich Farblosigkeit und Gefühllosigkeit der Finger anschließen.

Die nachstehend aufgeführten Vorkehrungen werden dringend empfohlen, da die Mindestwerte, bei denen diese Krankheit ausgelöst wird, nicht bekannt sind.

- Halten Sie Ihren Körper warm, insbesondere Kopf und Nacken, Füße und Fußgelenke sowie Hände und Handgelenke.**
- Legen Sie häufige Pausen ein, in deren Verlauf Sie den Kreislauf durch intensive Armübungen anregen, und rauchen Sie nicht.**
- Begrenzen Sie die Dauerbetriebszeiten auf ein Minimum.**
 - Teilen Sie jeden Arbeitstag so ein, dass auch Arbeiten ohne Bläser oder tragbare Motorgeräte verrichtet werden.
- Wenn Ihre Finger schmerzen, rot und angeschwollen sind und schließlich bleich und gefühllos werden, müssen Sie einen Arzt aufsuchen, bevor Sie sich weiterhin Kälte und Vibrationen aussetzen.**
 - ◆ Eine Nichtbefolgung dieser Anweisung kann zu gesundheitlichen Schäden führen.

Sichere Verwendung des Produkts

WARNUNG

RSI-Syndrom

Es wird angenommen, dass eine Überanstrengung der Muskeln und Sehnen der Finger, Hände, Arme und Schultern in den betreffenden Körperteilen Schmerzen, Schwellungen, Gefühllosigkeit, Schwäche und auch akuten Schmerz verursachen kann. Durch bestimmte ständig wiederholte Handbewegungen steigt das Risiko für die Entwicklung eines RSI-Syndroms.

Auf folgende Art mindern Sie das Risiko des RSI-Syndroms:

- Achten Sie darauf, dass Sie Ihr Handgelenk nicht zu sehr beugen, strecken oder verdrehen.
- Legen Sie von Zeit zu Zeit Pausen ein, um wiederholte Bewegungen zu minimieren, und lassen Sie Ihre Hände ruhen. Reduzieren Sie die Geschwindigkeit und den Kraftaufwand, mit denen Sie die Wiederholungsbewegung ausführen.
- Führen Sie geeignete Übungen zur Stärkung der Hand- und Armmuskulatur durch.
- Suchen Sie einen Arzt auf, wenn Sie ein Prickeln, Gefühllosigkeit oder Schmerzen in Ihren Fingern, Händen, Handgelenken oder Armen bemerken. Je früher das RSI-Syndrom erkannt wird, desto eher lässt sich eine dauerhafte Schädigung von Nerven und Muskeln verhindern.

◆ Eine Nichtbefolgung dieser Anweisung kann zu gesundheitlichen Schäden führen.

Anweisungen zum Trennen des Akkus

- Wenn die Maschine nicht mehr betrieben wird.
 - Vor dem Entfernen einer Verstopfung.
 - Vor dem Prüfen, Reinigen oder Arbeiten an der Maschine.
 - Nach dem Kontakt mit einem Fremdkörper, um die Maschine auf Beschädigungen zu prüfen.
 - Wenn die Maschine abnormal zu vibrieren beginnt, zur sofortigen Überprüfung.
- ◆ Wenn sich das Produkt unerwarteterweise in Betrieb setzt, kann es zu Unfällen kommen.

Bei Problemen oder Auffälligkeiten das Gerät sofort abstellen

- Schalten Sie das Gerät sofort aus, wenn das Produkt plötzlich ungewohnte Geräusche erzeugt oder zu vibrieren beginnt. Unter diesen Umständen darf das Produkt nicht betrieben werden. Wenden Sie sich bei anfallenden Reparaturen an Ihren ECHO-Händler.
- ◆ Wenn beschädigte Teile weiter verwendet werden, kann dies zu Unfällen bzw. schweren Verletzungen führen.

Das Gerät zur Prüfung und Wartung ausschalten

Beachten Sie die folgenden Sicherheitsregeln, wenn Sie das Produkt nach dem Gebrauch überprüfen und warten:

- Schalten Sie das Gerät aus, entfernen Sie den Akku, und stellen Sie sicher, dass alle beweglichen Teile zum Stillstand gekommen sind.
- ◆ Wenn sich das Produkt unerwarteterweise in Betrieb setzt, kann es zu Unfällen kommen.
- Lassen Sie das Gerät abkühlen, bevor Sie Wartungsarbeiten durchführen.
- ◆ Andernfalls können Sie sich verbrennen.

Sichere Verwendung des Produkts

Schutzausrüstung

WARNUNG

Schutzausrüstung tragen

○ Tragen Sie bei Arbeiten mit dem Bläser angemessene Arbeitskleidung und eine Schutzausrüstung. Tragen Sie bei der Arbeit vor allem stets eine Schutzbrille und eine Staubschutzmaske.

◆ Ohne Schutzausrüstung besteht die Gefahr, dass aufgewirbelte Schmutzpartikel in Atemwege oder Augen gelangen, was zu Unfällen und Verletzungen führen kann.

a Schutzbrille: schützt die Augen

b Staubmaske: Atemschutz

c Sicherheitshandschuhe: schützen die Hände vor Kälte und Vibration

d Eng anliegende Kleidung (lange Ärmel, lange Hosen): schützt den Körper

e Robuste Schuhe oder Stiefel: schützen die Füße

◆ Bei Nichtbeachtung dieser Sicherheitsvorkehrungen sind Ihr Augenlicht und Ihr Gehör gefährdet, und es drohen andere schwere Verletzungen.

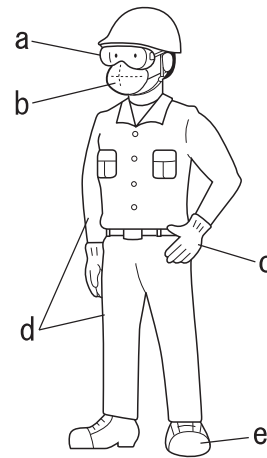
Falls erforderlich, verwenden Sie auch folgende

Schutzausrüstung:

○ **Kopfschutz (Helm):** schützt den Kopf

○ **Gehörschutzbügel oder Ohrstöpsel:** Gehörschutz

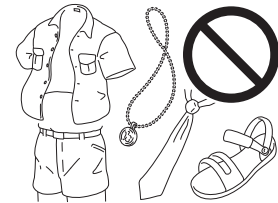
○ **Bienennetz:** Insektenschutz



Geeignete Kleidung tragen

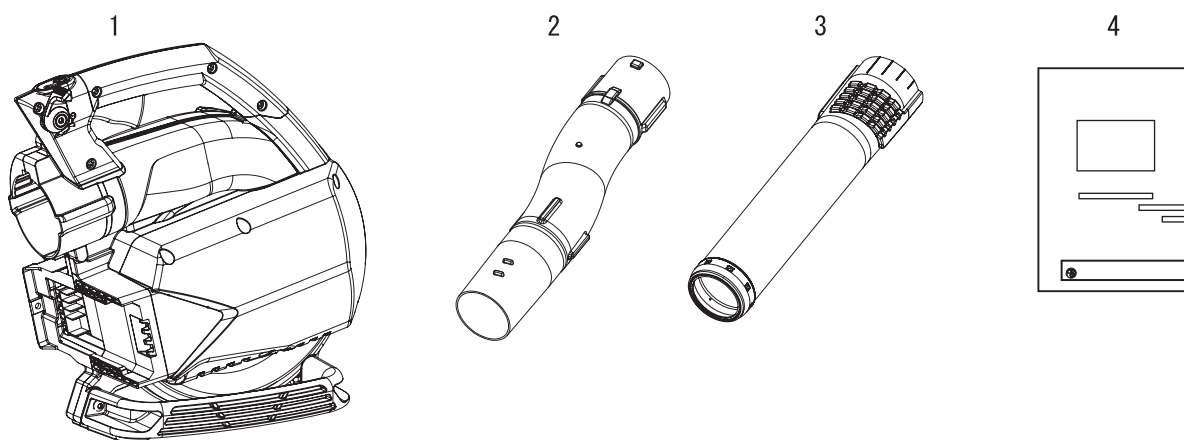
Tragen Sie keine Krawatten, Schmuckstücke oder lose, weite Kleidungsstücke, die sich im Gerät verfangen könnten. Tragen Sie keine offenen Schuhe, und arbeiten Sie nicht barfuß oder in kurzen Hosen.

◆ Bei Nichtbeachtung dieser Sicherheitsvorkehrungen besteht Unfallgefahr und die Gefahr schwerer Verletzungen.

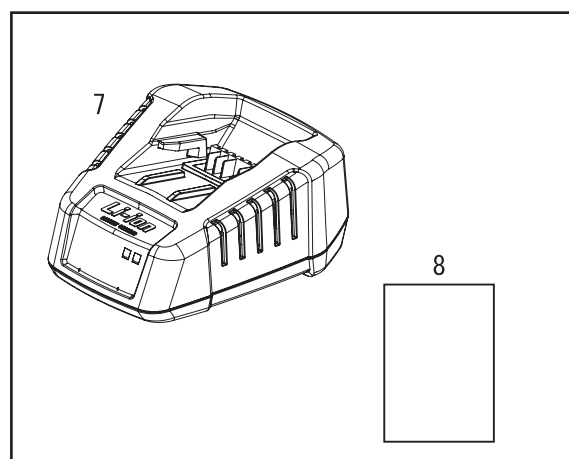
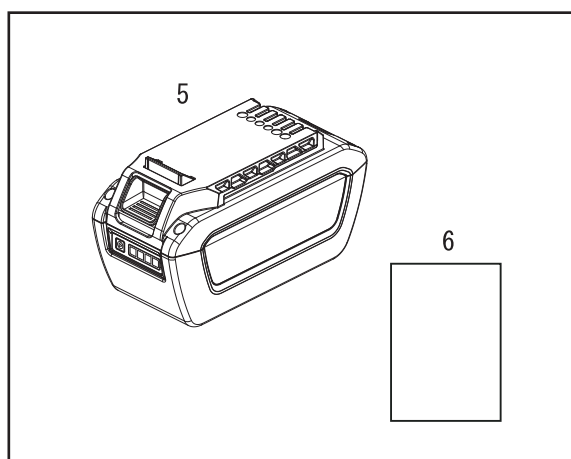


Packliste

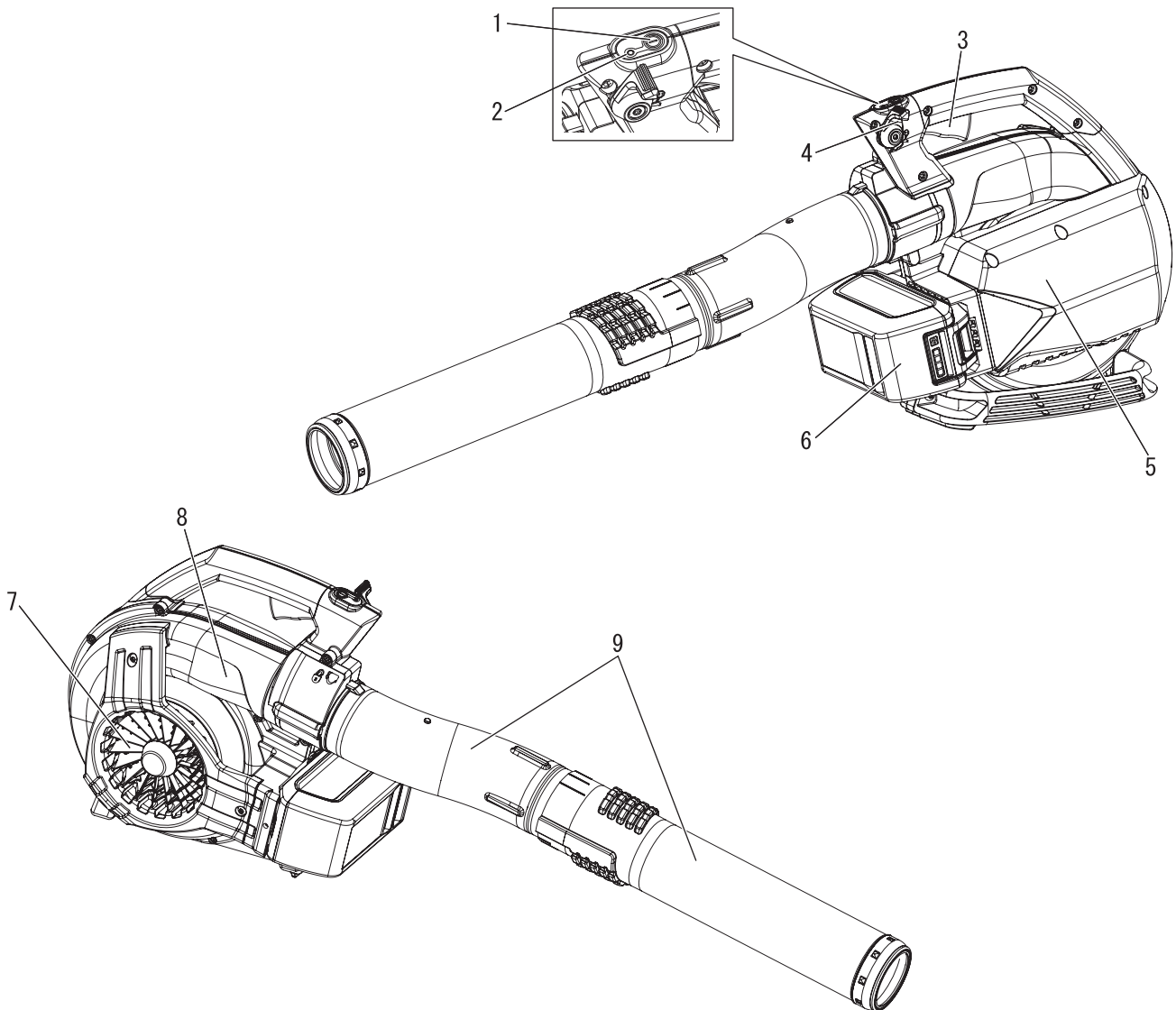
- ♦ Die nachfolgend aufgeführten Einzelteile sind in der Verpackung enthalten.
- ♦ Überprüfen Sie nach dem Auspacken die Vollständigkeit des Inhalts.
- ♦ Wenden Sie sich an Ihren Händler, wenn Teile fehlen oder beschädigt sind.



Nummer	Bezeichnung des Teils	Menge
(1)	Motoreinheit	1
(2)	Rohr	1
(3)	Runde gerade Düse	1
(4)	Bedienungsanleitung	1



Nummer	Bezeichnung des Teils	Menge
(5)	Akku	1
(6)	Bedienungsanleitung	1
(7)	Ladegerät	1
(8)	Bedienungsanleitung	1



1. **Ein/Aus-Knopf** Ein Mal drücken, um die Stromzufuhr zu dem Gerät einzuschalten – die Betriebsanzeige-LED leuchtet. Wieder drücken, um die Stromzufuhr zu dem Gerät auszuschalten – die Betriebsanzeige-LED geht aus.
2. **Betriebsanzeige-LED** Leuchtet, wenn das Gerät Strom erhält. Geht aus, wenn die Stromzufuhr zum Gerät unterbrochen wird.
3. **Hebelschalter** Schaltet den Motor ein und wird vom Bediener mit dem Finger betätigt.
4. **Leerlaufsteller** Ziehen Sie ihn nach hinten, um die Motordrehzahl zu erhöhen.
5. **Motoreinheit**
6. **Akku**
7. **Gehäuseabdeckung** Deckt die Gebläsefläche ab.
8. **Seriennummernschild** Gibt Auskunft über Modell- und Seriennummer des Geräts.
9. **Blasrohre** Exklusive, kraftschlüssige Steckverbindungen.

Bevor Sie beginnen

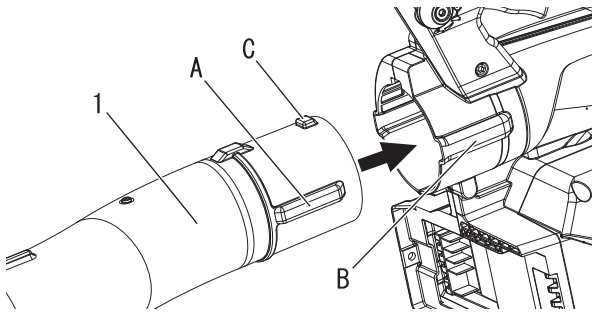
Zusammenbau

WARNUNG

- Lesen Sie die Bedienungsanleitung aufmerksam durch, um sicherzustellen, dass Sie das Produkt korrekt zusammenbauen.
- Führen Sie bei laufendem Gerät niemals Wartungs- oder Einbauarbeiten durch.
- ◆ Die Verwendung eines falsch zusammengebauten Produkts kann zu Unfällen bzw. schweren Verletzungen führen.

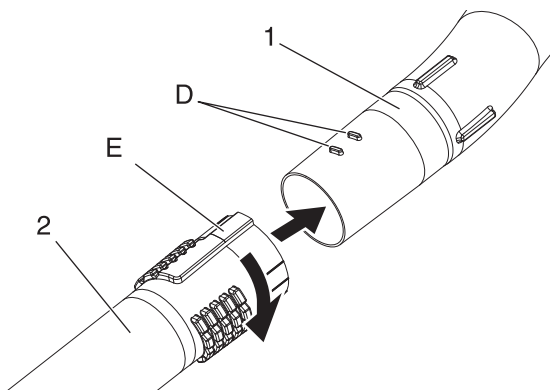


Montage der Rohre



1. Rohr

1. Stellen Sie das Gerät aufrecht ab.
2. Richten Sie die Verriegelungsnasen (A) am Rohr auf die Aussparungen (B) im Gebläsegehäuse aus. Stellen Sie sicher, dass die Verriegelungsnase (C) nach oben zeigt. Schieben Sie das Rohr in das Gebläsegehäuse, bis es hörbar einrastet.



1. Rohr

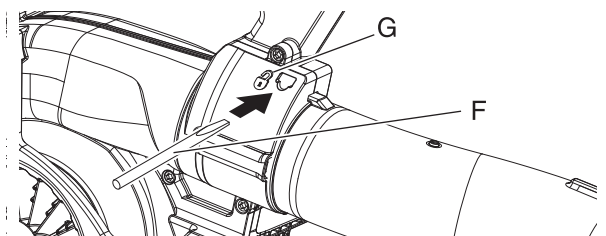
2. Runde gerade Düse

3. Richten Sie die Passfedern (D) auf die Nuten (E) aus, und schieben Sie die runde gerade Düse auf das Rohr, bis Sie einen leichten Widerstand spüren. Wenden Sie keine Gewalt an!
4. Halten Sie das Rohr fest und drehen Sie die runde gerade Düse im Uhrzeigersinn, bis die Verbindung einrastet. Wenden Sie keine Gewalt an!

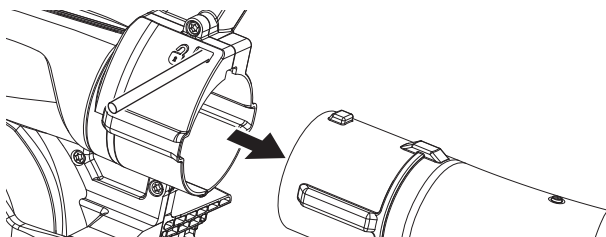
HINWEIS

Durch die Anwendung des Bläasers lockern sich die Verbindungen mit der Zeit. Die exklusive, formschlüssige Verbindung hält die Rohre fest zusammen. Sollten sich die Verbindungen lösen, bauen Sie die runde gerade Düse aus und wie in Schritt 3 und 4 beschrieben wieder ein.

Entfernen der Rohre



1. Führen Sie einen Schraubendreher (F) in die Öffnung neben dem Verriegelungssymbol (G) ein, um die Rohrverriegelung freizugeben.



2. Ziehen Sie die Rohre aus dem Gebläsegehäuse heraus.
3. Entfernen Sie den Schraubendreher.

Bevor Sie beginnen

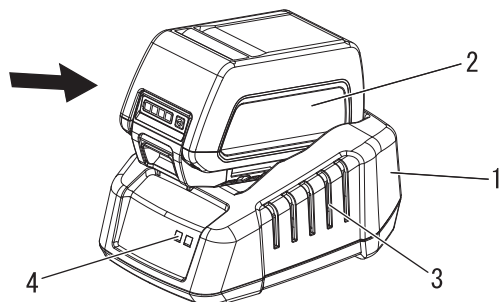
Ladung der Batterie

WARNUNG

- Verwenden Sie nur den Akku LBP-560-100/LBP-560-200, und laden Sie diesen nur mit dem Ladegerät LCJQ-560.
- Halten Sie Ladegerät und Akku fern von Feuchtigkeit und allen Flüssigkeiten.
- Verwenden Sie das Ladegerät nicht auf leicht brennbaren Materialien (z. B. Papier, Stoff) und nicht in einer Umgebung mit erhöhter Brandgefahr.
- Bedecken Sie das Ladegerät nicht. Ein bedecktes Ladegerät kann nicht kühlen.
- Betreiben Sie das Ladegerät nicht in explosionsgefährdeten Bereichen, wie sie z. B. durch brennbare Flüssigkeiten, Gase oder Stäube in der Umgebung entstehen. Ladegeräte können Funken erzeugen, und diese können die Stäube oder Dämpfe entzünden – es besteht Explosionsgefahr.
- Schließen Sie das Ladegerät nur an das Netz an, wenn Spannung und Frequenz mit den Angaben auf dem Typenschild übereinstimmen.
- Schließen Sie das Ladegerät nur an eine leicht zugängliche Steckdose an.
- Stecken Sie nie Gegenstände in die Kühlschlitze des Akkus oder des Ladegeräts.
- Defekte, beschädigte oder verformte Akkus oder Ladegeräte dürfen nicht geladen oder verwendet werden.
- Der Akku und das Ladegerät dürfen nicht geöffnet, beschädigt oder fallengelassen werden.
- Aus dem Akku kann Flüssigkeit austreten, wenn er beschädigt ist oder nicht ordnungsgemäß verwendet wird. Den Hautkontakt vermeiden. Bei versehentlichem Kontakt die betroffenen Bereiche der Haut mit viel Wasser und Seife abwaschen. Wenn Flüssigkeit in die Augen gerät, die Augen nicht reiben. Spülen Sie die Augen mindestens 15 Minuten lang mit viel Wasser. Suchen Sie auch einen Arzt auf.
- Überbrücken Sie die Kontakte des Akkus oder die Klemmen des Ladegeräts nie mit Metallgegenständen (Kurzschluss).
- Schützen Sie den Akku vor direkter Sonneneinstrahlung, Hitze und offenem Feuer, und werfen Sie ihn nie in ein Feuer, es besteht Explosionsgefahr.
- Falls Rauch oder Flammen aus dem Ladegerät aufsteigen, trennen Sie es sofort von der Netzsteckdose.
- Wenn das Anschlusskabel beschädigt ist, trennen Sie den Stecker sofort vom Netz, da Stromschlaggefahr besteht.
- Setzen Sie den Akku nie Mikrowellen oder hohem Druck aus.
- Sichern Sie das Gerät gegen unbeabsichtigtes Starten. Nehmen Sie zum Transport und zur Lagerung des Geräts den Akku heraus. Verwenden Sie keine Metallcontainer für den Transport von Akkus.
- Um Stolpergefahren vorzubeugen, positionieren und markieren Sie das Anschlusskabel so, dass es nicht beschädigt werden kann und keine Gefahr für andere darstellt.

HINWEIS

- Der neue Akku wird teilgeladen geliefert und muss vor dem ersten Gebrauch voll geladen werden.
- Laden Sie den Akku, wenn die Leistung nicht mehr für den Betrieb des Geräts ausreicht, oder wenn die Lampen am Akku anzeigen, dass der Akku schwach ist.



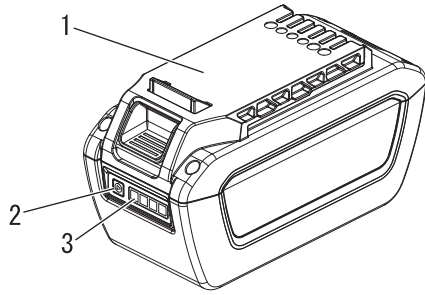
1. Ladegerät
2. Akku
3. Kühlschlitze
4. Ladegerät-LED

1. Stecken Sie das Wechselstromkabel des Ladegeräts in die Netzsteckdose.
2. Richten Sie die Rippen am Akku auf die Nuten im Ladegerät, und schieben Sie den Akku in das Ladegerät.
3. Während des normalen Ladevorgangs blinkt die Ladegerät-LED GRÜN.

WICHTIG

- Wenn das Ladegerät ein Problem feststellt, blinkt die LED ROT. Nehmen Sie den Akku aus dem Ladegerät, reinigen Sie die Kontakte, und bauen Sie den Akku wieder in das Ladegerät. Wenn die Temperatur des Akkus nicht im akzeptablen Bereich (0 °C bis 60 °C) ist, leuchtet die LED ROT.

Bevor Sie beginnen



1. Akku
2. Akkuladezustand-Taste
3. LED-Anzeige

- Nachdem der Ladevorgang beendet ist, leuchtet die LED GRÜN.
 - * A fully discharged battery pack will charge in about 42 minutes. (LBP-560-100)
 - * A fully discharged battery pack will charge in about 88 minutes. (LBP-560-200)
- Prüfen Sie, ob der Akku vollständig geladen ist, indem Sie den Akku aus dem Ladegerät nehmen, die Akkuladezustand-Taste drücken und die LED-Anzeige beobachten.
 - ♦ Ein grünes Licht bedeutet, dass der Akku 0 bis 25 % Ladung hat.
 - ♦ Zwei grüne Lichter bedeuten, dass der Akku 25 bis 50 % Ladung hat.
 - ♦ Drei grüne Lichter bedeuten, dass der Akku 50 bis 75 % Ladung hat.
 - ♦ Vier grüne Lichter bedeuten, dass der Akku 75 bis 100 % Ladung hat.
- Trennen Sie das Akkuladegerät vom Netz.

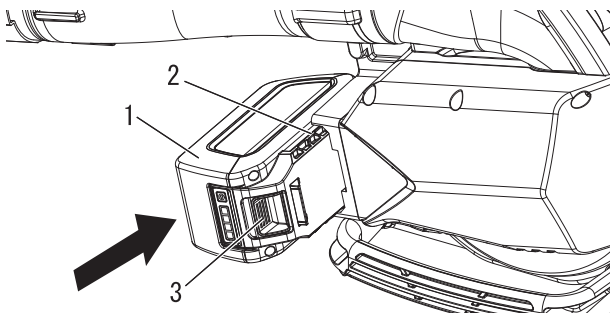
Einsetzen und Entfernen des Akkus

WARNUNG

- Der Laubbläser funktioniert, wenn der Akku installiert ist, und die Betriebsanzeige-LED leuchtet. Achten Sie darauf, dass der Laubbläser richtig positioniert ist, damit Sie nicht die Kontrolle verlieren – es besteht schwere Verletzungsgefahr.

HINWEIS

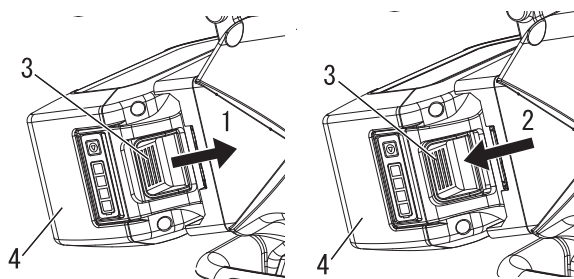
- ♦ Der neue Akku wird teilgeladen geliefert und muss vor dem ersten Gebrauch voll geladen werden.



1. Akku
2. Rippe
3. Akkuverriegelung

Einsetzen des Akkus

- Lassen Sie den Hebelschalter los und bewegen Sie den Leerlaufsteller ganz nach vorne bis zum Anschlag.
- Kontrollieren Sie, dass die Stromzufuhr zum Gerät unterbrochen ist.
- Richten Sie die Rippen am Akku auf die Nut am Laubbläser aus, und schieben Sie den Akku ein, bis die Akkuverriegelung einrastet.



1. Eingerastet
2. Nicht eingerastet
3. Akkuverriegelung
4. Akku

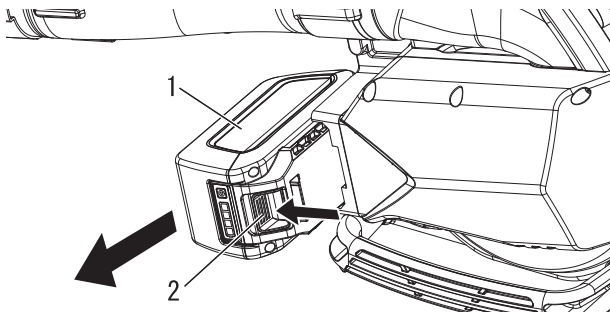
WICHTIG

- Bevor Sie den Laubbläser gebrauchen, kontrollieren Sie, dass der Akku ganz eingeschoben und die Akkuverriegelung eingerastet ist.

HINWEIS

- ♦ Die Akkuverriegelung rastet ein, wenn der Akku ganz eingeschoben ist.

Bevor Sie beginnen



1. Akku

2. Akkuverriegelung

Entnehmen des Akkus

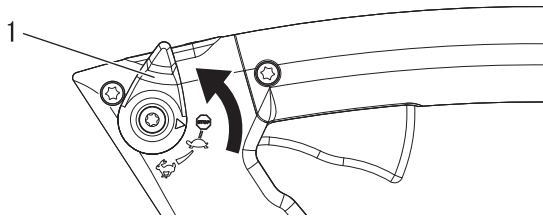
1. Zum Entnehmen des Akkus drücken Sie auf die Akkuverriegelung und schieben den Akku aus dem Laubbläser.

Starten und Stoppen

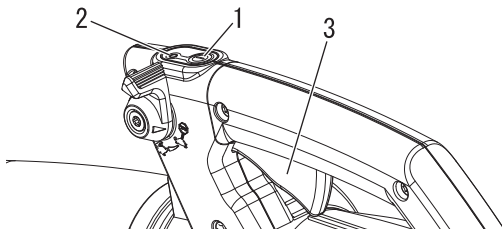
Starten des Geräts

WARNUNG

- Beachten Sie beim Starten des Geräts die Sicherheitsregeln und Hinweise für den sicheren Betrieb und die richtige Handhabung des Produkts ab der Seite 4 im Abschnitt „Sichere Verwendung des Produkts“.
- ◆ Eine Nichtbefolgung der Sicherheitsregeln kann zu Unfällen, Verletzungen oder sogar zum Tod führen.



1. Leerlaufsteller



1. Ein/Aus-Knopf
2. Betriebsanzeige-LED
3. Hebelschalter

1. Bewegen Sie den Leerlaufsteller ganz nach vorn bis zum Anschlag.
2. Drücken Sie den Ein/Aus-Knopf ein Mal, um die Stromzufuhr zu dem Gerät einzuschalten.

HINWEIS

- ◆ Die Betriebsanzeige-LED leuchtet, wenn das Gerät Strom erhält.

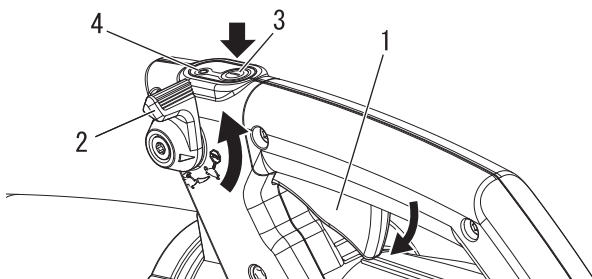
3. Betätigen Sie den Hebelschalter, um die Drehzahl zu erhöhen.

WICHTIG

Wenn die Stromzufuhr zu dem Gerät eingeschaltet ist:

- ◆ Nach einer Minute Inaktivität schaltet sich das Gerät von selbst aus.
- ◆ Wenn die LED ableibt, ist der Betrieb normal.
- ◆ Wenn die LED ein Mal pro Sekunde blinkt, ist der Akku ladebedürftig.
- ◆ Wenn die LED vier Mal pro Sekunde blinkt, liegt in dem Produkt eine Störung vor. Schalten Sie die Stromzufuhr zu dem Gerät aus. Entnehmen Sie den Akku. Räumen Sie das Gebläse frei. Setzen Sie den Akku ein. Schalten Sie die Stromzufuhr zu dem Gerät ein. Wenn die LED wieder blinkt, lassen Sie das Produkt von Ihrem autorisierten Kundendiensthändler reparieren.

Stoppen des Geräts



1. Hebelschalter
2. Leerlaufsteller
3. Ein/Aus-Knopf
4. Betriebsanzeige-LED

1. Leerlaufsteller
Lassen Sie den Hebelschalter los und bewegen Sie den Leerlaufsteller ganz nach vorne bis zum Anschlag, damit der Bläser stoppt.
2. Drücken Sie den Ein/Aus-Knopf, um die Stromzufuhr zu dem Gerät auszuschalten.

HINWEIS

- ◆ Die Betriebsanzeige-LED geht aus, wenn die Stromzufuhr zum Gerät unterbrochen wird.

- * Wenn der Ein/Aus-Knopf den Bläser nicht stoppt, bauen Sie den Akku aus, um die Stromzufuhr zum Bläser zu unterbrechen. Lassen Sie den Ein/Aus-Knopf von Ihrem autorisierten ECHO-Kundendiensthändler reparieren, bevor Sie den Bläser wieder in Betrieb nehmen. Wenn der Bläser nicht stoppt, wenn der Hebelschalter losgelassen und der Leerlaufsteller ganz nach vorne bis zum Anschlag bewegt wurde, entfernen Sie den Akku, um die Stromzufuhr zum Bläser zu unterbrechen. Lassen Sie das Gerät vor dem Wiedergebrauch von Ihrem autorisierten ECHO-Kundendiensthändler reparieren.

Betrieb des Bläasers

⚠️ WARNUNG

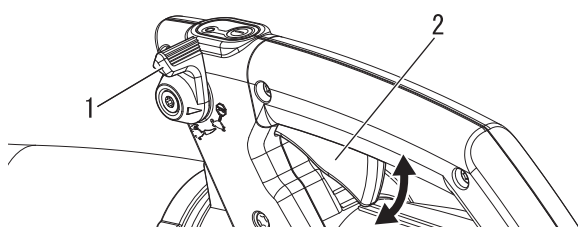
Tragen Sie immer eine Schutzbrille, und treffen Sie alle Sicherheitsvorkehrungen, da es sonst zu schweren Verletzungen kommen kann. Richten Sie das Rohr nicht auf Menschen oder Tiere.

WICHTIG

Um Motorschäden zu vermeiden, blockieren Sie nicht die Rohröffnung des Bläasers. Lassen Sie den Bläser niemals ohne montiertes Rohr laufen.

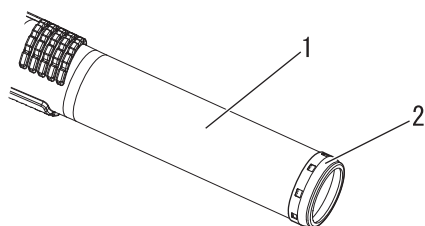
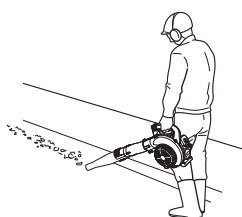
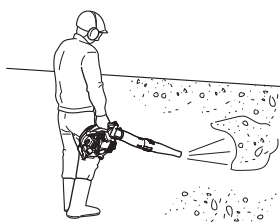
HINWEIS

Stellen Sie die Drehzahl nie höher ein als notwendig. Je höher die Drehzahl, desto größer die Geräuscentwicklung. Minimieren Sie Staubentwicklung, indem Sie das Gebläse mit niedriger Drehzahl betreiben. Achten Sie darauf, dass Schmutz auf Ihrem Grundstück bleibt. Nehmen Sie klugerweise Rücksicht auf Ihre Nachbarn.



1. Leerlaufsteller

2. Hebelschalter



1. Gerades Rohr

2. Metallschutzring

♦ Lesen Sie den Abschnitt „Sicherheit“ sorgfältig durch.

1. Arbeiten Sie stets zu angemessener Tageszeit.
2. Regeln Sie die Bläserdrehzahl mithilfe des Hebelschalters oder stellen Sie die Bläserzahl für Dauerbetrieb mithilfe des Leerlaufstellers ein. Bewegen Sie den Leerlaufsteller nach vorn, um die Drehzahl zu verringern, und nach hinten, um sie zu erhöhen.
3. Blasen Sie trockenes Gras und Laub auf Wegen, in Innenhöfen und Auffahrten mit niedriger Drehzahl zusammen.
4. Zum Entfernen von feuchtem Laub von Rasenflächen oder aus Blumenbeeten sind meist etwas höhere Drehzahlen erforderlich.
5. Bei Kies, Schmutz, Schnee, Flaschen oder Dosen auf Auffahrten, Straßen, Parkplätzen oder im Umfeld von Stadien müssen höhere Drehzahlen eingestellt werden.
6. Wenn Sie in der Nähe von Häusern arbeiten, richten Sie den Luftstrom nicht in die Richtung von Fenstern. Dadurch könnte Schmutz in die Innenräume geblasen werden.
7. Schmutzmaterial kann mit einer Harke gelöst oder aufgebrochen werden, sodass es einfacher zu bewegen ist.
8. Befeuchten Sie staubige Flächen, bevor Sie das Schmutzmaterial bewegen, um das Aufwirbeln von Staub zu vermeiden.
9. Halten Sie das Gerät immer durch Anhalten des Motors an.

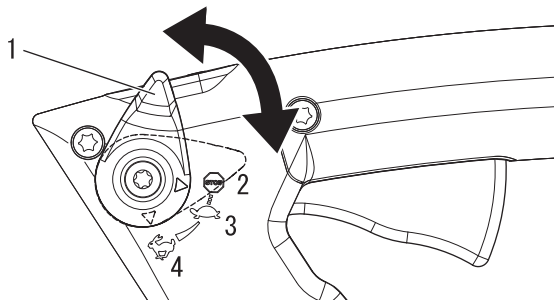
⚠️ VORSICHT

Der Kontakt zwischen der Spitze des geraden Rohrs und abreibenden Oberflächen kann scharfe Schnitte auf der Oberfläche und bei Berührung Verletzungen verursachen. Die Spitze des geraden Rohrs beim Betrieb oder Transport des Geräts nicht schleifen lassen und nicht mit ihr schaben. Die gesamte Baugruppe, gerades Rohr muss ausgetauscht werden, wenn der Metallring verschlissen, gerissen oder verzogen ist.

Leerlaufsteller

WARNUNG

Bevor Sie einen Akku am Bläser anschließen, bewegen Sie den Leerlaufsteller immer ganz nach vorn bis zum Anschlag (Stopp-Position). Ein Nichtbeachten dieses Verfahrens führt dazu, dass der Bläser in der Stopp-Position versehentlich gestartet werden kann, was zu schweren Verletzungen führen. Blockieren Sie den Gashebel nicht in Anwendungen, bei denen der Bläser möglicherweise plötzlich gestoppt werden muss.



1. Leerlaufsteller
2. Bläser Stopp

3. Langsame Drehzahl
4. Hohe Drehzahl

1. Bewegen Sie den Leerlaufsteller zur Rückseite des Bläfers und in die Stellungen STOPP oder langsame oder schnelle Drehzahl.
2. Der Bläser läuft weiter mit der ausgewählten Drehzahl.
3. Um den Bläser zu stoppen, bewegen Sie den Leerlaufsteller ganz nach vorne (Stopp-Position).

HINWEIS

Wenn der Leerlaufsteller während des Gebrauchs eingeschaltet und der Akku vom Werkzeug entfernt wird, schalten Sie den Leerlaufsteller sofort aus.

Wartungsrichtlinien

Komponente	Wartung	Seite	Vor der Verwendung	Monatlich
Akku	Überprüfen/reinigen/laden	21	•	
Gehäuse-Abdeckung	Überprüfen / reinigen	21	•	
Schrauben, Bolzen und Muttern	Überprüfen/festziehen/ersetzen	-	•	

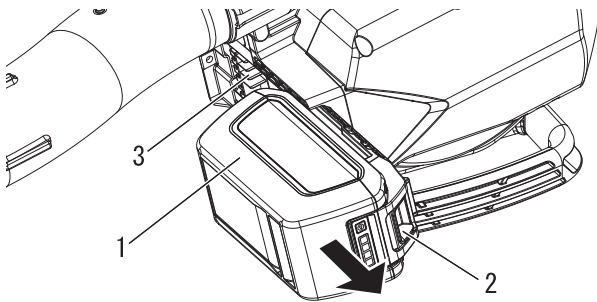
WICHTIG

Angegeben sind die maximalen Zeitabstände. Die Häufigkeit der erforderlichen Wartungsarbeiten richtet sich nach der tatsächlichen Beanspruchung und Ihrer Erfahrung.

Wartung und Pflege

Bei Fragen oder Problemen wenden Sie sich bitte an Ihren ECHO-Händler.

Reinigen von Akku und Akkufach



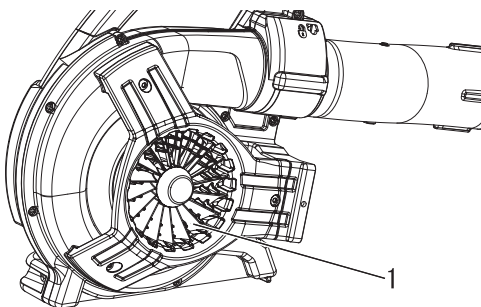
1. Akku
2. Akkuverriegelung
3. Akkufach

⚠️ WARNUNG

○ **Stromschlag- und Brandgefahr. Verwenden Sie zum Reinigen des Akkus und des Akkufachs keine leitenden Materialien.**

1. Lassen Sie den Hebelschalter los und bewegen Sie den Leerlaufsteller ganz nach vorne bis zum Anschlag, und warten Sie, bis der Bläser ausgeschaltet wird.
2. Kontrollieren Sie, dass die Betriebsanzeige-LED aus ist.
3. Drücken Sie auf die Akkuentriegelung, und schieben den Akku aus dem Bläser.
4. Entfernen Sie Schmutz von Akku und Akkufach mit Druckluft oder einer weichen Bürste.

Reinigen der Gehäuse-Abdeckung



1. Gehäuse-Abdeckung

Entfernen Sie jegliche Verschmutzungen inklusive Laub, das die Gehäuse-Abdeckung verstopfen kann.

WICHTIG

Entfernen Sie nicht die Gehäuse-Abdeckung. Fragen Sie bei Bedarf bitte Ihren Händler um Rat.

Wartung und Pflege

Fehlerbehebung

Problem	Ursache	Lösung
Rote Ladegerätlampe blinkt oder Lampe leuchtet nicht auf	<ul style="list-style-type: none"> ♦ Stecker nicht mit der Steckdose verbunden ♦ Akku ist nicht korrekt installiert ♦ Schlechter Kontakt ♦ Fehler im Ladegerät ♦ Fehler im Akku 	<ul style="list-style-type: none"> ♦ Stecken Sie das Ladegerät ein. ♦ Prüfen Sie den Einbau des Akkus. ♦ Bauen Sie den Akku aus und mit gereinigten Kontakten wieder ein. ♦ Wenden Sie sich an Ihren ECHO-Händler. ♦ Wenden Sie sich an Ihren ECHO-Händler.
Gerät lässt sich nicht einschalten	<ul style="list-style-type: none"> ♦ Akku ist nicht korrekt installiert 	<ul style="list-style-type: none"> ♦ Prüfen Sie den Einbau des Akkus.
Gerät läuft nicht, obwohl es eingeschaltet ist	<ul style="list-style-type: none"> ♦ Akku entladen ♦ Akkutemperatur zu hoch oder zu niedrig 	<ul style="list-style-type: none"> ♦ Laden Sie den Akku. ♦ Bauen Sie den Akku aus, und lassen Sie den Akku abkühlen.
Laufzeit ist zu kurz	<ul style="list-style-type: none"> ♦ Akkutemperatur zu hoch oder zu niedrig ♦ Geräteelektronik zu heiß ♦ Akku entladen 	<ul style="list-style-type: none"> ♦ Bauen Sie den Akku aus, und lassen Sie den Akku abkühlen. ♦ Schalten Sie das Gerät aus, und lassen Sie das Gerät abkühlen. ♦ Laden Sie den Akku.
Gerät läuft, bläst aber nur schwach oder gar nicht	<ul style="list-style-type: none"> ♦ Bläserrohr verstopft ♦ Bläserrohr locker ♦ Bläserrohr beschädigt ♦ Lufteinlass verstopft ♦ Fehler im Gebläse 	<ul style="list-style-type: none"> ♦ Verstopfung beseitigen ♦ Rohr festziehen ♦ Rohr ersetzen ♦ Verstopfung beseitigen ♦ Wenden Sie sich an Ihren ECHO-Händler.
Gerät vibriert stark	<ul style="list-style-type: none"> ♦ Fehler an internen Teilen 	<ul style="list-style-type: none"> ♦ Wenden Sie sich an Ihren ECHO-Händler.

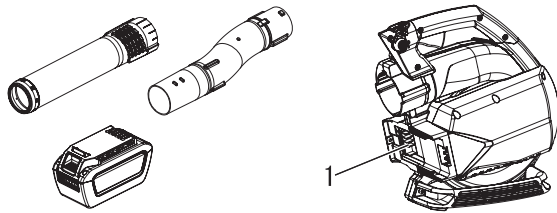
- ♦ Für die Überprüfung und Wartung sind entsprechende Fachkenntnisse erforderlich. Wenn Sie das Produkt nicht selbst überprüfen, warten oder instand setzen können, wenden Sie sich an Ihren ECHO-Händler. Versuchen Sie nicht, das Produkt zu zerlegen.
- ♦ Bei Problemen oder Störungen, die nicht in der obigen Tabelle genannt werden, wenden Sie sich an Ihren Händler.
- ♦ Verwenden Sie nur Original-Ersatzteile und -Verbrauchsprodukte, die für das Produkt zugelassen sind. Die Verwendung von Teilen anderer Hersteller oder nicht zugelassener Produkte kann zu Fehlfunktionen führen.

LAGERUNG

WARNUNG

Lagern Sie das Gerät nicht in einem Raum, in dem sich brennbare Dämpfe sammeln können.
Es besteht Brandgefahr.

Gehen Sie folgendermaßen vor, wenn Sie das Produkt lange Zeit lagern möchten:



1. Akkufach

Akku-Laubbläser

Lagern Sie das Gerät nicht ein, ohne zuvor die folgenden schützenden Wartungsmaßnahmen durchgeführt zu haben:

1. Schalten Sie die Stromzufuhr zu dem Gerät aus.
2. Entfernen Sie den Akku aus dem Bläser.
3. Entfernen Sie Ansammlungen von Schmutz und Fremdstoffen außen an dem Gerät.
4. Ziehen Sie alle Schrauben und Muttern fest.
5. Gebläserohr komplett vom Gerät abnehmen.
6. Verschließen Sie das Akkufach des Bläasers.
7. Lagern Sie die Maschine an einem trockenen, staubfreien Ort.

Akku

1. Entfernen Sie den Akku aus dem Bläser.
2. Wählen Sie für die Lagerung einen trockenen, staubfreien und für Kinder unzugänglichen Ort.
3. Die Lagerung soll bei Temperaturen zwischen -20 °C und 60 °C erfolgen.
4. Wenn der Akku länger als ein Jahr gelagert wird, laden Sie ihn auf ca. 40 bis 60 % seiner Ladekapazität.

Akkuladegerät

1. Entnehmen Sie den Akku aus dem Akkuladegerät.
2. Trennen Sie das Akkuladegerät vom Netz.
3. Lagern Sie ihn an einem trockenen, staubfreien Ort.

Wartung und Pflege

Entsorgung



- ♦ Auf den größeren Kunststoffteilen des Produkts befindet sich jeweils eine Kennzeichnung (Code) des Werkstoffs. Diese Codes beziehen sich auf die folgenden Werkstoffe; entsorgen Sie diese Kunststoffteile unter Einhaltung der gesetzlichen Vorschriften Ihres Landes.

Kennzeichnung	Werkstoff
>PA6-GF<	Nylon 6 - Glasfaser
>PP-GF<	Polypropylen - Glasfaser
>PE-HD<	Polyethylen

- ♦ Batterie enthält Lithium. Nur an den dafür vorgesehenen Sammelstellen entsorgen.
- ♦ Lithium-Ionen-Batterien müssen vorschriftsgemäß recycelt und entsorgt werden.
- ♦ Wenn Sie Fragen zur korrekten Entsorgung von Altöl oder Kunststoffteilen haben, setzen Sie sich bitte mit Ihrem ECHO-Fachhändler in Verbindung.

Technische Daten

DPB-600		
Gewicht:		
mit Bläserrohr, ohne Akku	kg	3,2
mit Bläserrohr, mit Akku	kg	5,0
Außenmaße: (ohne Rohre):		
Länge	mm	353
Breite	mm	187
Höhe	mm	336
Luftvolumen:	m ³ /h	648
Maximale Luftgeschwindigkeit:	m/s	72,5
Akku:		
Typ		Li-Ion
Akkuspannung	V	56 (bemessen 50,4)
Ladegerättyp		CCCV
Ladegeräteingangsspannung	V	AC 230 – 240
Akkuladegerätlampen:		Rote LED – Akku nicht im Ladetemperaturbereich Rote LED blinkt – Fehler Grüne LED – Akku fertig geladen Grüne LED blinkt – Akku lädt normal
Ladezeit:		Akku LBP-560-100: Circa 42 Minuten Akku LBP-560-200: Circa 88 Minuten
Schalldruckpegel: (EN 50636-2-100)	dB(A)	81,9
Schalleistungspegel: (EN 50636-2-100)	dB(A)	94
Unsicherheit	dB(A)	3
Schwingungspegel: (EN 50636-2-100)	m/s ²	0,7
Unsicherheit: K	m/s ²	1,5

Änderungen der technischen Daten vorbehalten.

- Der deklarierte Vibrationsgesamtwert wurde nach einem Standardprüfverfahren ermittelt und kann zum Vergleich der Geräte untereinander herangezogen werden.
- Der deklarierte Vibrationsgesamtwert kann außerdem zur vorläufigen Beurteilung der Exposition herangezogen werden.

Konformitätserklärung

Der unterzeichnete Hersteller:

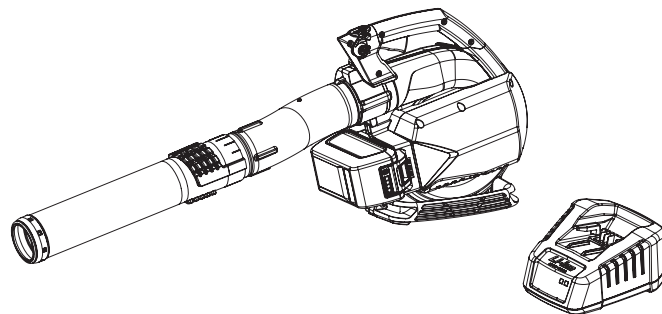
YAMABIKO CORPORATION
7-2 SUEHIROCHO 1-CHOME
OHME, TOKIO 198-8760
JAPAN

Diese Konformitätserklärung wird unter der alleinigen Verantwortung des Herstellers erstellt.

erklärt, dass das nachstehend spezifizierte neue Gerät:

**BLÄSER
AKKULADEGERÄT**

**Marke: ECHO
Typ: DPB-600
LCJQ-560**



montiert durch:

ECHO, INCORPORATED
400 Oakwood Road
Lake Zurich, Illinois 60047-1564

USA

Folgendes erfüllt:

- * Anforderungen der Richtlinie **2006/42/EG** (Anwendung der harmonisierten Norm **EN 60335-1: 2012, EN 50636-2-100: 2014**)
- * Anforderungen der Richtlinie **2014/30/EU** (Anwendung der harmonisierten Norm **EN 55014-1: 2006, EN 55014-2: 1997, EN 61000-3-2: 2006, und EN 61000-3-3: 2008**)
- * Anforderungen der Richtlinie **2014/35/EU** (Anwendung der harmonisierten Norm **EN 60335-1: 2012, EN 60335-2-29: 2004, und EN 62233: 2008**)
- * Anforderungen der Richtlinie **2000/14/EG**
Konformitätsbewertung nach **ANHANG V**
- * Anforderungen der Richtlinie **2011/65/EU** (Anwendung der harmonisierten Norm **EN 50581: 2012**)
Gemessener Schallleistungspegel: **94 dB(A)**
Garantierter Schallleistungspegel: **97 dB(A)**

**DPB-600
LCJQ-560**

Seriennummer 35001001 und höher
Seriennummer 35001001 und höher

Tokio, den 1. Juli 2016

YAMABIKO CORPORATION

Masayuki Kimura

Masayuki Kimura

**Hauptabteilungsleiter
Abteilung
Qualitätssicherung**

Der Dokumentenbevollmächtigte in Europa, welcher autorisiert ist, die technischen Daten zusammenzustellen.

Unternehmen: Atlantic Bridge Limited
Adresse: Atlantic House, PO Box 4800,
Earley, Reading RG5 4GB, Vereinigtes Königreich

Herr Philip Wicks

NOTIZEN

YAMABIKO CORPORATION

7-2 SUEHIROCHO 1-CHOME, OHME, TOKIO 198-8760, JAPAN

TELEFON: 81-428-32-6118. FAX: 81-428-32-6145.



X750-027 39 0

X750 821-010 1



IT ENGLISH
(Istruzioni originali)

MANUALE PER L'OPERATORE

SOFFIATORE RICARICABILE

DPB-600

AVVERTENZA



LEGGERE E SEGUIRE ATTENTAMENTE LE ISTRUZIONI PER LAVORARE IN CONDIZIONI DI MASSIMA SICUREZZA. LA MANCATA OSSERVANZA DELLE ISTRUZIONI POTREBBE PROVOCARE LESIONI GRAVI.



Informazioni importanti

Si raccomanda di leggere il manuale per l'operatore prima di utilizzare questo prodotto.

○ Tipologia di impiego del prodotto

- ♦ Il soffiatore ricaricabile ECHO è stato progettato per allontanare polvere e materiali di vario tipo, incluse le foglie cadute dagli alberi.
- ♦ Non utilizzare l'attrezzo per impieghi differenti da quelli per i quali è progettato.

○ Utenti del prodotto

- ♦ Prima di utilizzare questo prodotto leggere attentamente e familiarizzare con il contenuto del manuale per l'operatore.
- ♦ Non utilizzare questo prodotto senza aver prima letto attentamente il manuale per l'operatore, non utilizzare il prodotto in condizioni debilitate a causa di raffreddore o stanchezza o in condizioni fisiche e psicologiche non ottimali; inoltre vietare l'uso ai bambini.
- ♦ Tenere presente che l'operatore o l'utente è responsabile di eventuali rischi o incidenti provocati ad altre persone o alle proprietà altrui.

○ Informazioni sul manuale per l'operatore

- ♦ Questo manuale contiene informazioni necessarie per il funzionamento e la manutenzione del prodotto. Si raccomanda di attentamente il manuale, familiarizzando con il contenuto.
- ♦ Tenere sempre il manuale in un luogo facilmente accessibile.
- ♦ Se il manuale viene smarrito o danneggiato e non può essere consultato, acquistarne uno nuovo presso il rivenditore ECHO.
- ♦ Le unità di misura utilizzate in questo manuale sono espresse in conformità al sistema internazionale. Le cifre riportate tra parentesi sono valori di riferimento e in alcuni casi ci potrebbero essere lievi errori di conversione.

○ Prestito o cessione del prodotto

- ♦ In caso di prestito o cessione del prodotto descritto in questo manuale, consegnare alla persona che lo riceve in prestito e che dovrà utilizzarlo anche il manuale per l'operatore. Se si cede o vende il prodotto a terzi, consegnare anche il manuale dell'operatore assieme al prodotto.

○ Richieste

- ♦ Per ricevere ulteriori informazioni sul prodotto, per l'acquisto di articoli di consumo, per riparazioni e altre eventuali richieste, contattare il proprio rivenditore ECHO.

○ Avvisi

- ♦ Il contenuto di questo manuale può essere modificato senza preavviso per renderlo conforme a eventuali aggiornamenti del prodotto. Al fine di illustrare con maggiore chiarezza le spiegazioni sul prodotto, alcune illustrazioni potrebbero essere differenti da quelle del prodotto reale.
- ♦ Questo prodotto richiede l'assemblaggio di alcune parti.
- ♦ Consultare il proprio rivenditore ECHO per ulteriori chiarimenti.

Produttore

YAMABIKO CORPORATION

7-2 SUEHIROCHO 1-CHOME, OHME, TOKYO 198-8760, GIAPPONE

Rappresentante autorizzato in Europa

Atlantic Bridge Limited

Atlantic House, PO Box 4800, Earley, Reading RG5 4GB, Regno Unito

Per un uso sicuro del prodotto	4
Messaggi di avviso	4
Altri indicatori	4
Simboli	4
Posizione in cui è applicata la decalcomania	5
Gestione del prodotto	6
Contenuto della confezione	12
Descrizione	13
Prima di iniziare	14
Montaggio	14
Avviamento e arresto	18
Avvio dell'unità	18
Arresto dell'unità	18
Funzionamento	19
Funzionamento del soffiatore	19
Manutenzione e cura	21
Guida alla manutenzione	21
Manutenzione e cura	21
Problemi tecnici	22
Rimessaggio	23
Smaltimento	24
Caratteristiche tecniche	25
Dichiarazione di conformità	26

Per un uso sicuro del prodotto

Leggere questa sezione prima di utilizzare il prodotto.



○ Le precauzioni descritte in questa sezione contengono importanti informazioni per la sicurezza. Si raccomanda di seguirle scrupolosamente.

○ Leggere anche le precauzioni presenti all'interno del manuale.

Il testo seguito da un contrassegno [a forma di rombo] descrive le potenziali conseguenze che si potrebbero verificare in caso di mancata osservanza delle precauzioni.


Messaggi di avviso

Situazioni in cui c'è il rischio di causare lesioni fisiche all'utente e ad altre persone sono indicate in questo manuale e sul prodotto, con le seguenti avvertenze. Leggerle e osservarle sempre per lavorare in condizioni di massima sicurezza.

 PERICOLO	 AVVERTENZA	 ATTENZIONE
Questo simbolo accompagnato dalla parola " PERICOLO " richiama l'attenzione su un'azione o una condizione che potrebbe causare infortuni gravi o la morte di utenti o di persone presenti.	Questo simbolo accompagnato dalla parola " AVVERTENZA " richiama l'attenzione su un'azione o una condizione che potrebbe causare lesioni gravi o la morte di utenti o di persone presenti.	" ATTENZIONE " indica una situazione potenzialmente pericolosa che, se non evitata, potrebbe causare lesioni minori o moderate.

Altri indicatori

Oltre alle avvertenze, questo manuale utilizza i seguenti simboli esplicativi:

 Il cerchietto barrato sta ad indicare che quanto è illustrato è proibito.	NOTA Il messaggio qui riportato fornisce consigli per l'uso, la cura e la manutenzione del prodotto.	IMPORTANTE Il testo incorniciato, caratterizzato dalla parola " IMPORTANTE ", contiene informazioni importanti riguardo l'uso, il controllo, la manutenzione e il rimessaggio del prodotto descritto in questo manuale.
--	--	--

Simboli

In questo manuale e sul prodotto sono riportati alcuni simboli esplicativi. Accertarsi di aver ben compreso il significato di tutti i simboli.

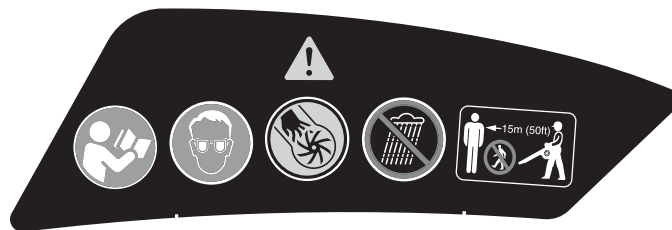
Forma del simbolo	Descrizione / applicazione del simbolo	Forma del simbolo	Descrizione / applicazione del simbolo
	Leggere attentamente il manuale per l'operatore		Indossare protezioni per gli occhi
	Protezione/allarme		Taglio delle dita
	Attenzione alle scosse elettriche		Prestare attenzione nelle aree ad alta temperatura
	Arresto		Velocità ridotta

Per un uso sicuro del prodotto

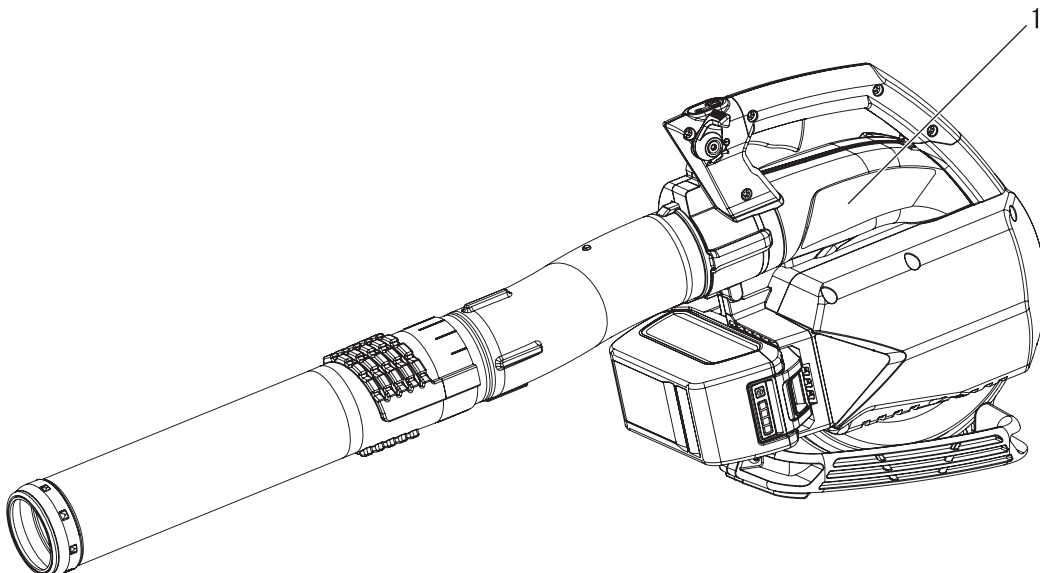
Forma del simbolo	Descrizione / applicazione del simbolo	Forma del simbolo	Descrizione / applicazione del simbolo
	Non utilizzare mani sotto la pioggia o in ambienti umidi		Massima velocità
	Tenere gli astanti a una distanza di 15 m		Protezione ambientale!
	Livello di potenza acustica garantito		Volt
	Attrezzo di II classe		Corrente continua

Posizione in cui è applicata la decalcomania

- ♦ La decalcomania riportata sotto è stata applicata al prodotto descritto in questo manuale. Prima di utilizzare il prodotto accertarsi di aver compreso quanto riportato sulla decalcomania.
- ♦ Se la decalcomania diventa illeggibile a causa dell'usura, si strappa o si stacca e si perde, acquistarne una di ricambio presso il rivenditore e fissarla nel punto illustrato nella figura in basso. Accertarsi che la decalcomania sia sempre leggibile.



1. Decalcomania (Codice ricambio X505008910)



Per un uso sicuro del prodotto

Gestione del prodotto

Avvisi di sicurezza generici per gli utensili elettrici

AVVERTENZA

Leggere tutti gli avvisi di sicurezza e le istruzioni.

La mancata osservanza di avvisi e istruzioni può causare scosse elettriche, incendi e/o gravi infortuni.

Conservare avvisi e istruzioni per un eventuale utilizzo futuro.

Il termine "utensile elettrico", riportato negli avvisi, fa riferimento ad attrezzi alimentati mediante un cavo di alimentazione collegato alla rete elettrica, oppure ad attrezzi privi di cavo e alimentati a batteria.

Sicurezza dell'area di lavoro

○ L'area di lavoro deve essere pulita e ben illuminata.

- ◆ Le aree di lavoro sporche o disordinate accrescono il rischio di incidenti.
- **Non utilizzare gli utensili elettrici in atmosfere esplosive, come gli ambienti saturi di liquidi, gas o polveri infiammabili.**
- ◆ Gli utensili elettrici generano scintille, che possono incendiare polveri o fumi infiammabili.
- **Tenere i bambini e le persone circostanti a distanza di sicurezza durante l'uso di un utensile elettrico.**
- ◆ Le distrazioni possono causare perdite di controllo dell'utensile.

Sicurezza elettrica

- **La spina di alimentazione dell'utensile elettrico deve corrispondere a quella della relativa presa di alimentazione. Non modificare mai la spina, in alcun modo. Non utilizzare alcun tipo di adattatore con gli utensili elettrici dotati di messa a terra (massa).**
- ◆ L'uso di spine e prese non modificate minimizza i rischi di scosse elettriche.
- **Evitare il contatto tra parti del corpo e superfici dotate di collegamento di messa a terra, come tubazioni, radiatori, fornelli e refrigeratori.**
- ◆ Il contatto tra parti del corpo e oggetti con collegamento di terra può accrescere il rischio di scosse elettriche.
- **Evitare di utilizzare gli utensili elettrici sotto la pioggia o in ambienti umidi.**
- ◆ L'acqua che penetra all'interno degli utensili elettrici accresce il rischio di scosse elettriche.
- **Evitare di sottoporre il cavo di alimentazione a sollecitazioni e stress meccanico. Non utilizzare il cavo di alimentazione per trascinare, tirare o scollegare l'utensile elettrico dalla presa di alimentazione. Tenere il cavo di alimentazione a distanza di sicurezza da fonti di calore, oli, bordi affilati o parti in movimento.**
- ◆ I cavi di alimentazione danneggiati o attorcigliati accrescono il rischio di scosse elettriche.
- **Durante l'utilizzo di un'utensile elettrico all'aperto, utilizzare cavi di prolunga adatti all'uso in ambienti esterni.**
- ◆ L'uso di cavo idonei all'uso in ambienti esterni riduce il rischio di scosse elettriche.
- **Qualora fosse necessario utilizzare l'utensile elettrico in ambienti umidi, utilizzare una sorgente di alimentazione protetta da un interruttore automatico differenziale (GFCI).**
- ◆ L'uso di un interruttore GFCI riduce il rischio di scosse elettriche.

Sicurezza personale

- **Mantenersi sempre vigili, assicurandosi di avere sempre il controllo di ciò che si sta facendo, operando sempre in base a norme di buon senso e ragionevolezza nell'uso dell'utensile elettrico. Non azionare l'utensile elettrico in condizioni di stanchezza o sotto l'effetto di alcol, droghe o farmaci.**
- ◆ Durante l'uso degli utensili elettrici, basta un momento di distrazione per incorrere in gravi infortuni.
- **Utilizzare dotazioni di protezione personali adeguate. Indossare sempre protezioni per gli occhi.**
- ◆ Le attrezzature di protezione come mascherine antipolvere, scarponi con soles antiscivolo, elmetti di protezione o protezioni acustiche in base alle condizioni di lavoro specifiche, consente di ridurre il rischio di infortuni.
- **Prevenzione delle accensioni accidentali. Assicurarsi che l'interruttore sia sempre in posizione "OFF", prima di procedere al collegamento dell'utensile alla sorgente di alimentazione e/o prima di inserire il pacco batterie, nonché prima di sollevare o trasportare l'utensile.**
- ◆ Trasportare gli utensili elettrici mentre si tiene il dito sull'interruttore, oppure la pressione casuale e immotivata degli interruttori di accensione di utensili elettrici alimentati può causare incidenti.
- **Rimuovere qualunque chiave o attrezzo di regolazione prima di accendere l'utensile elettrico.**
- ◆ La presenza di chiavi o attrezzi collegati alle parti rotanti dell'utensile elettrico può causare gravi infortuni.
- **Non sporgersi. Mantenere sempre una postura di lavoro stabile e bilanciata.**
- ◆ Ciò garantirà un migliore controllo dell'utensile elettrico anche nelle situazioni impreviste.
- **Utilizzare indumenti di tipo corretto. Non indossare indumenti larghi o gioielli. Tenere capelli, indumenti e guanti a distanza di sicurezza dalle parti in movimento.**
- ◆ Indumenti larghi, gioielli, e capelli lunghi potrebbero restare impigliati tra le parti in movimento.
- **Se gli utensili sono dotati di attacchi per il collegamento a sistemi di estrazione e raccolta polveri, assicurarsi che tali accessori siano collegati e utilizzati correttamente.**
- ◆ L'uso di un sistema di raccolta polveri può ridurre i rischi associati all'inalazione di polveri.

L'intensità delle vibrazioni durante l'uso dell'utensile elettrico può variare rispetto al valore totale dichiarato. Tale intensità varia in base al modo in cui l'utensile viene adoperato. Pertanto, è necessario stabilire misure di sicurezza in grado di proteggere l'operatore che siano basate su una stima del livello di esposizione effettivo nelle condizioni di lavoro reali (tenendo anche in considerazione tutte le fasi del ciclo operativo, come gli intervalli di tempo durante i quali l'utensile è spento e quando questo è acceso ma non in uso, oltre al solo tempo di utilizzo netto).

Per un uso sicuro del prodotto

AVVERTENZA

Utilizzo e cura dell'utensile elettrico

- **Evitare di utilizzare l'utensile elettrico sotto sforzo. Utilizzare sempre l'utensile elettrico adatto al tipo di operazione da effettuare.**
- ◆ L'uso di un utensile elettrico adeguato consentirà di eseguire il lavoro in maniera ottimale e in piena sicurezza, dato che questo funzionerà nelle condizioni ideali per le quali è stato progettato.
- **Non utilizzare l'utensile elettrico se l'interruttore di alimentazione è danneggiato.**
- ◆ Qualsiasi utensile elettrico che non può essere controllato costituisce un pericolo e pertanto l'utensile elettrico dovrà essere riparato al più presto possibile.
- **Scollegare la spina dalla presa di alimentazione e/o estrarre la batteria dall'alloggiamento, prima di effettuare qualunque tipo di regolazione, sostituire accessori o conservare gli utensili elettrici quando questi sono inutilizzati.**
- ◆ Tali misure preventive riducono il rischio di accensioni accidentali dell'utensile elettrico.
- **Gli utensili elettrici non utilizzati devono essere conservati lontano dalla portata dei bambini. È inoltre necessario evitare che l'utensile venga utilizzato da persone che non hanno familiarità con il suo utilizzo e con il presente manuale di istruzioni.**
- ◆ Gli utensili elettrici possono costituire un pericolo quando utilizzati da utenti non adeguatamente addestrati.
- **Manutenzione degli utensili elettrici. Ispezionare l'utensile elettrico per evidenziare eventuali disallineamenti o parti mobili deformate, danneggiate o qualunque altra condizione che possa influire sul corretto funzionamento dell'utensile elettrico. Gli utensili elettrici danneggiati devono essere riparati prima dell'uso.**
- ◆ Numerosi incidenti sono causati proprio dall'uso di utensili elettrici in cattivo stato di manutenzione.
- **Tenere gli attrezzi da taglio affilati e puliti.**
- ◆ Gli attrezzi da taglio tenuti in buono stato di manutenzione, con le lame correttamente affilate, sono meno propensi a piegarsi e sono quindi più facili da controllare.
- **Utilizzare gli utensili elettrici, accessori e punte in conformità con le istruzioni riportate in questo manuale, tenendo sempre in considerazione le condizioni operative e il tipo di lavoro da eseguire.**
- ◆ L'utilizzo di utensili elettrici per effettuare operazioni di tipo differente da quello per cui tali utensili sono progettati causa situazioni pericolose.

Utilizzo e cura della batteria

- **Ricaricare solo utilizzando il caricabatterie specificato dal produttore.**
- ◆ Un caricabatterie indicato per un determinato tipo di batteria può causare incendi se utilizzato con batterie di tipo differente.
- **Utilizzare gli utensili elettrici solo con batterie del tipo specificato.**
- ◆ L'uso di batterie di tipo differente può causare incendi e infortuni.
- **Quando il pacco batterie non viene utilizzato, tenerlo a distanza di sicurezza da oggetti metallici, come graffette, monete, chiavi, chiodi, viti o altri elementi metallici di piccole dimensioni, che potrebbero causare falsi contatti con i terminali della batteria.**
- ◆ Un eventuale contatto accidentale tra i due poli della batteria potrebbe causare ustioni e incendi.
- **In caso di utilizzi estremi, la batteria potrebbe essere soggetta perdite di liquido. In tal caso, di raccomanda di evitare il contatto con tale liquido. In caso di contatto accidentale con il liquido della batteria, risciacquare l'area interessata con acqua. In caso di contatto con gli occhi, risciacquare con acqua e consultare un medico.**
- ◆ Il liquido che fuoriesce dalla batteria può causare irritazioni e ustioni.

Manutenzione

- **L'utensile elettrico deve essere riparato da un tecnico riparatore specializzato, utilizzando solo parti originali.**
- ◆ Ciò consente di garantire una corretta manutenzione dell'utensile elettrico.

Per un uso sicuro del prodotto

Precauzioni generali

AVVERTENZA

Manuale per l'operatore

- Per un corretto funzionamento del prodotto, prima di utilizzarlo leggere attentamente il manuale per l'operatore.
- ◆ La mancata osservanza di queste precauzioni potrebbe causare un incidente o lesioni gravi.



Non utilizzare il prodotto per eseguire lavori diversi da quelli per cui è stato progettato

- Non utilizzare il prodotto per eseguire lavori diversi da quelli descritti nel manuale dell'operatore.
- ◆ La mancata osservanza di queste precauzioni potrebbe causare un incidente o lesioni gravi.

Non modificare il prodotto

- Non modificare il prodotto.
- ◆ La mancata osservanza di queste precauzioni potrebbe causare un incidente o lesioni gravi. Qualsiasi guasto causato da modifiche apportate al prodotto non sarà coperta dalla garanzia del produttore.

Non utilizzare il prodotto senza aver effettuato prima il controllo e la manutenzione

- Non utilizzare il prodotto senza aver effettuato prima il controllo e la manutenzione. Accertarsi sempre che il controllo e la manutenzione vengano eseguiti a scadenze regolari.
- ◆ La mancata osservanza di queste precauzioni potrebbe causare un incidente o lesioni gravi.

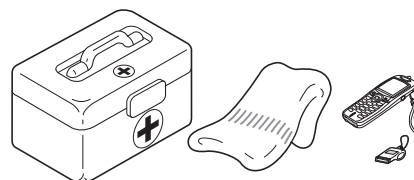
Prestito o cessione del prodotto

- In caso di prestito del prodotto, consegnare alla persona che lo riceve anche il manuale dell'operatore.
- Anche in caso di cessione, consegnare il prodotto insieme al manuale per l'operatore.
- ◆ La mancata osservanza di queste precauzioni potrebbe causare un incidente o lesioni gravi.

Essere pronti in caso di lesioni

Nell'improbabile evento di incidente o lesioni è consigliabile essere preparati.

- Cassetta di pronto soccorso
- Asciugamani e fazzoletti (per fermare eventuali emorragie)
- Fischietto o telefono cellulare (per chiedere aiuto)
- ◆ Se non si è in grado di effettuare un primo soccorso o chiedere aiuto, le lesioni potrebbero peggiorare.



Per un uso sicuro del prodotto

Precauzioni per l'uso

AVVERTENZA

Utenti del prodotto

Il prodotto non deve essere utilizzato da:

- persone stanche
- persone che hanno assunto bevande alcoliche
- persone sotto trattamento farmacologico
- persone in stato di gravidanza
- persone in condizioni fisiche precarie
- persone che non hanno letto il manuale dell'utente
- bambini

◆ La mancata osservanza di queste istruzioni potrebbe provocare incidenti.

○ Questo prodotto genera un campo magnetico durante il funzionamento. I campi magnetici possono causare interferenze con i pacemaker o il malfunzionamento di questi ultimi. Per ridurre i rischi per la salute, consigliamo ai portatori di pacemaker di consultare il proprio medico e il produttore del pacemaker prima di utilizzare questo prodotto.



Ambiente di utilizzo e funzionamento

○ Non utilizzare il prodotto

- ◆ In ambienti umidi.
- ◆ Sotto la pioggia.
- ◆ In condizioni di cattivo tempo.

◆ La mancata osservanza di queste precauzioni potrebbe causare un incidente o lesioni gravi.

○ Non utilizzare il prodotto su terreni instabili, ad esempio con forti pendenze o dopo un acquazzone, oppure su terreni scivolosi e pericolosi.

○ Non utilizzare il prodotto di notte o in zone con scarsa visibilità.

◆ Cadute, scivolate o un uso non corretto del prodotto potrebbero causare lesioni gravi.



L'area nel raggio di 15 m deve essere considerata zona pericolosa

L'area nel raggio di 15 m dal prodotto deve essere considerata zona pericolosa. Osservare le seguenti precauzioni mentre si sta lavorando con il prodotto.

○ Non permettere a bambini, altre persone o animali di entrare nella zona pericolosa.

○ Se nell'area di lavoro sono presenti altre persone, spegnere l'unità.

○ Prima di avvicinarsi all'utente, segnalare la propria presenza, per esempio, gettando dei ramoscelli dall'esterno della zona pericolosa, quindi controllare che l'unità sia stata spenta.

○ Se più persone devono lavorare con il prodotto, trovare un modo per comunicare con il collega da una distanza di 15 m.

◆ Eventuali oggetti scagliati potrebbero provocare lesioni gravi all'operatore o agli astanti.

Uso del prodotto

Durante l'uso del prodotto, prestare particolare attenzione e osservare le seguenti precauzioni.

- Non puntare il condotto del soffiatore in direzione di persone o animali domestici.
 - Non utilizzare il prodotto su terreni instabili.
 - Mantenere la maniglia in modo fermo e saldo.
 - Evitare di utilizzare il prodotto nelle ore notturne o al mattino presto, per non disturbare i vicini con il rumore.
- ◆ La mancata osservanza di queste istruzioni potrebbe causare incidenti o lesioni.

Spegnere l'unità durante gli spostamenti

Durante gli spostamenti, nelle situazioni descritte di seguito, spegnere l'unità e spostarla.

- Spostandosi verso il luogo in cui si sta lavorando
 - Spostandosi in un altro luogo mentre si sta lavorando
 - Lasciando il luogo in cui è stato eseguito il lavoro
- ◆ La mancata osservanza di queste precauzioni potrebbe causare scottature o lesioni gravi.
- Durante il trasporto del prodotto in automobile, togliere la batteria e fissare saldamente il prodotto per evitare che si sposti durante il viaggio.

Prestare attenzione a non rimanere impigliati nella ventola

○ Prestare attenzione a non impigliare i capelli nella ventola.

◆ L'effetto di risucchio dell'aria generata dalla ventola potrebbe attirare la mano o altri oggetti all'interno del vano ventola, causando lesioni gravi.

Vibrazioni e freddo

Si ritiene che la condizione definita fenomeno di Raynaud, che colpisce le dita di alcune persone, sia causata dall'esposizione alle vibrazioni e al freddo. L'esposizione al freddo e alle vibrazioni può causare formicolio e bruciore, seguiti da pallore e intorpidimento delle dita.

Dato che non si conosce il livello di esposizione minima che causa i disturbi, si consiglia vivamente di osservare le seguenti precauzioni.

○ Tenere il corpo caldo, soprattutto testa, collo, piedi, caviglie, mani e polsi.

○ Mantenere una buona circolazione del sangue facendo vigorosi esercizi con le braccia durante frequenti pause di lavoro, ed evitare di fumare.

○ Limitare il numero di ore di impiego.

Si consiglia di non lavorare con altre macchine portatili oltre al soffiatore nell'arco della stessa giornata.

○ Se si accusano disagi e disturbi e se si riscontrano arrossamenti e gonfiore delle dita seguiti da pallore e perdita di sensibilità, rivolgersi al proprio medico prima di esporsi di nuovo al freddo e alle vibrazioni.

◆ La mancata osservanza di queste istruzioni potrebbe causare danni alla salute.

Per un uso sicuro del prodotto

AVVERTENZA

Lesioni da sforzi ripetuti

Si ritiene che l'uso eccessivo dei muscoli e dei tendini di dita, mani, braccia e spalle possa causare dolore, gonfiore, intorpidimento, debolezza e fortissimi dolori nelle zone menzionate. Alcune attività manuali ripetitive possono essere causa di alto rischio per lo sviluppo di lesioni da sforzi ripetitivi.

Per ridurre il rischio di lesioni da sforzi ripetitivi:

- Evitare di usare il polso piegato, allungato o girato.
- Fare pause a intervalli regolari per ridurre al minimo i movimenti ripetuti e far riposare le mani. Ridurre la velocità e la forza con cui il movimento ripetitivo viene eseguito.
- Fare esercizi per rafforzare i muscoli delle mani e delle braccia.
- Consultare un medico se si avverte formicolio, intorpidimento o dolori nelle dita, nelle mani, nei polsi o nelle braccia. Una tempestiva diagnosi di lesioni da sforzi ripetitivi consente di evitare danni permanenti ai nervi e ai muscoli.
- ◆ La mancata osservanza di queste istruzioni potrebbe causare danni alla salute.

Istruzioni per scollegare la batteria

- Ogni qualvolta la macchina viene lasciata dall'utente.
- Prima di eliminare un intasamento.
- Prima di controllare, pulire o intervenire sulla macchina.
- Dopo avere urtato un oggetto estraneo, controllare che la macchina non abbia subito danni.
- Se la macchina inizia a vibrare in maniera anomala, sottoporla immediatamente a un controllo.
- ◆ Un avvio imprevisto del prodotto potrebbe causare un incidente.

In caso di imprevisti spegnere immediatamente l'unità

- Spegnere immediatamente l'unità se il prodotto inizia improvvisamente a produrre rumori o vibrazioni anomale. Il prodotto non può essere utilizzato se produce rumori o vibrazioni anomale.
Contattare il rivenditore ECHO per la riparazione.
- ◆ Continuare a utilizzare parti danneggiate potrebbe provocare un incidente o lesioni gravi.

Durante l'esecuzione di ispezioni o manutenzioni dell'unità, spegnere il motore

Osservare le seguenti precauzioni durante il controllo e la manutenzione del prodotto dopo l'uso:

- Spegnere l'unità, rimuovere la batteria e verificare che tutte le parti mobili si siano fermate completamente.
- ◆ Un avvio imprevisto del prodotto potrebbe causare un incidente.
- Prima di eseguire le operazioni di manutenzione, far raffreddare l'unità.
- ◆ L'esecuzione di interventi a motore caldo può causare ustioni.

Per un uso sicuro del prodotto

Indumenti protettivi

AVVERTENZA

Indossare indumenti protettivi

○ Durante il lavoro con il soffiatore indossare sempre indumenti e abiti protettivi appropriati. Soprattutto, durante il lavoro, indossare occhiali di protezione, una mascherina antipolvere.

◆ Senza indumenti protettivi, i detriti o la polvere soffiata via potrebbe essere inalata o colpire gli occhi provocando incidenti o lesioni.

a Occhiali di protezione: Proteggono gli occhi

b Respiratore: Protezione per l'apparato respiratorio

c Guanti protettivi: Proteggono le mani dal freddo e dalle vibrazioni

d Indumenti aderenti (maniche lunghe, pantaloni lunghi): Proteggono il corpo

e Scarpe robuste o stivali: Proteggono i piedi

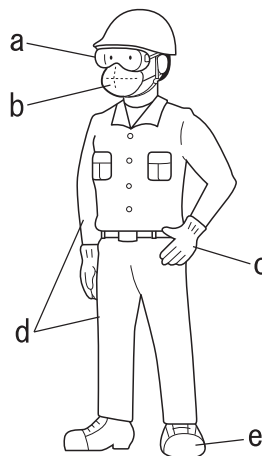
◆ La mancata osservanza di queste precauzioni potrebbe causare danni alla vista o all'udito o lesioni gravi.

Se necessario, utilizzare anche i seguenti indumenti protettivi.

○ **Casco (elmetto):** Protegge la testa

○ **Protezioni acustiche o tappi per le orecchie:** Protezione per le orecchie

○ **Rete anello di metallo:** Protezione antinsetti



Indossare indumenti idonei

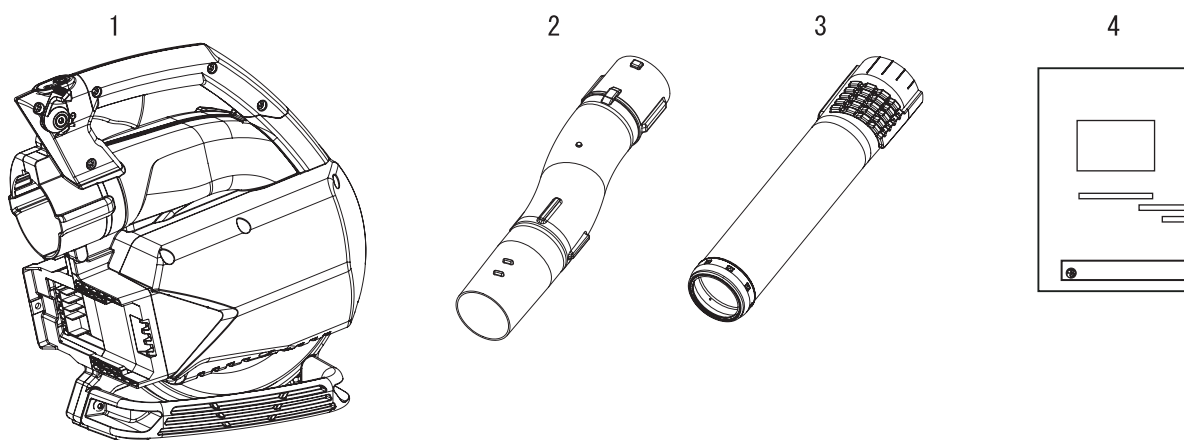
Non indossare cravatte, gioielli o vestiti poco aderenti che potrebbero restare impigliati nella macchina. Non indossare calzature aperte, non lavorare a piedi nudi o a gambe nude.

◆ La mancata osservanza di queste precauzioni potrebbe causare incidenti o lesioni gravi.

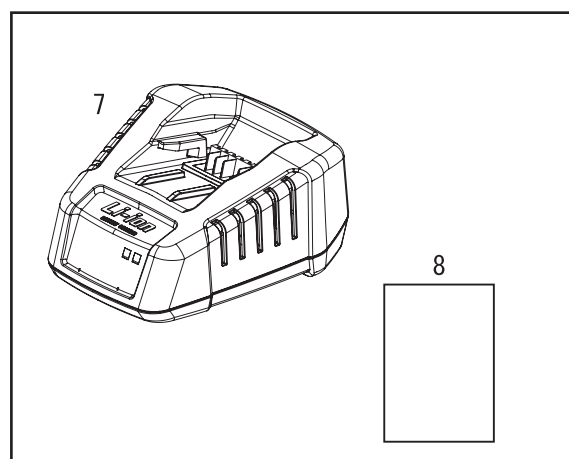
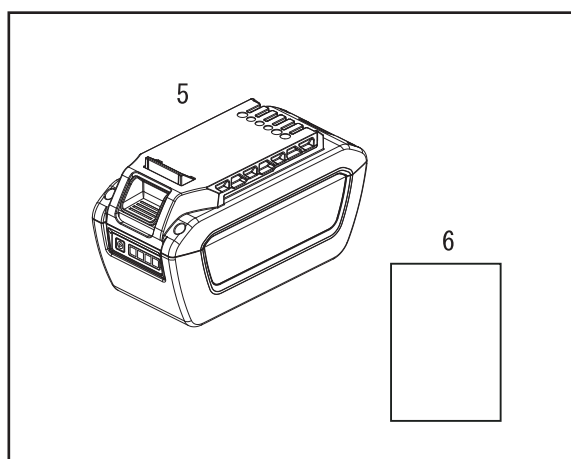


Contenuto della confezione

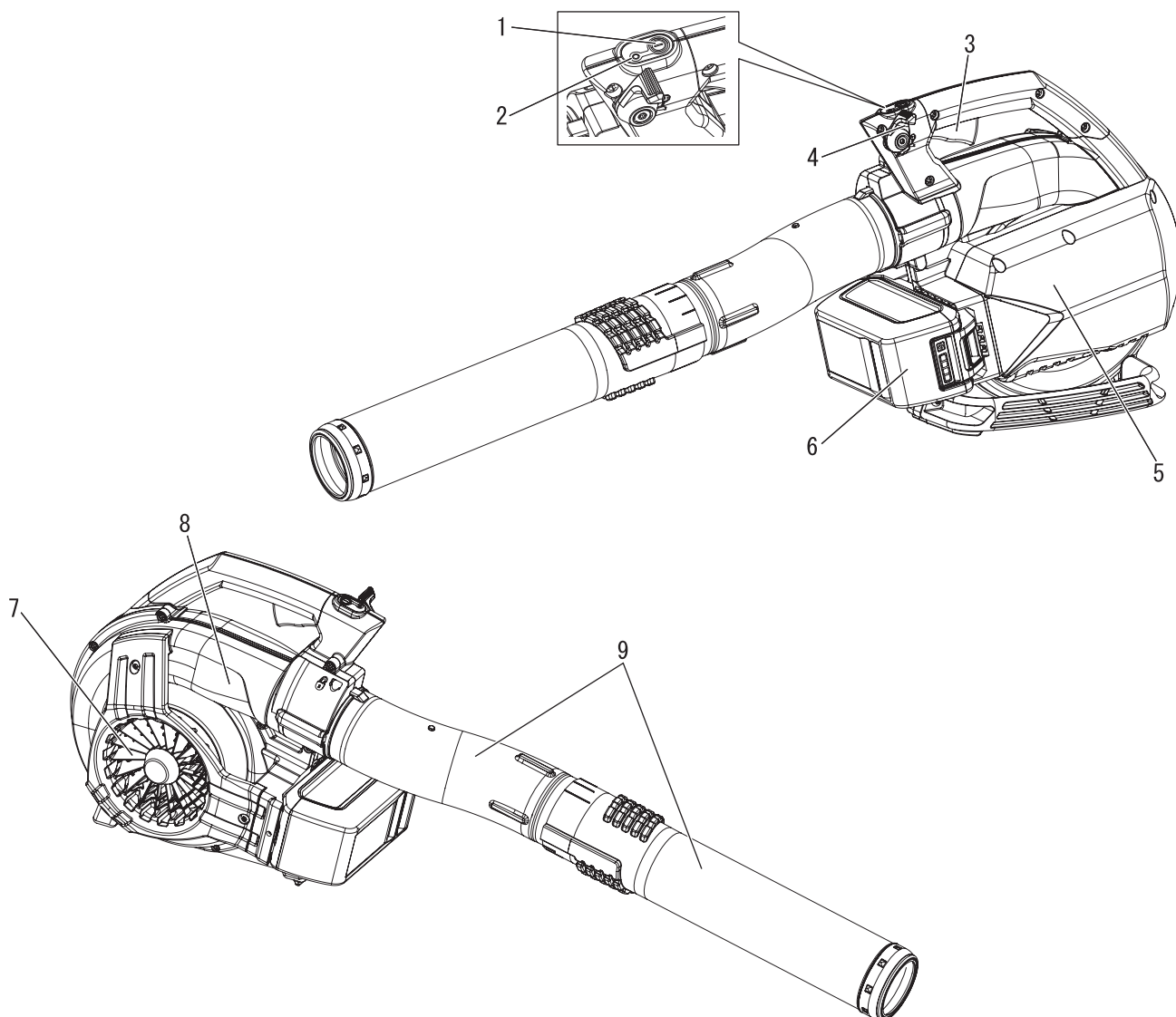
- ♦ Le seguenti parti sono state imballate separatamente nella confezione.
- ♦ Dopo aver aperto la confezione, controllare che tutte le parti siano presenti.
- ♦ In caso di parti mancanti o danneggiate, contattare il rivenditore.



Numero	Nome parte	Quantità
(1)	Testa del soffiatore	1
(2)	Tubo del soffiatore	1
(3)	Ugello tondo dritto	1
(4)	Manuale per l'operatore	1



Numero	Nome parte	Quantità
(5)	Pacco batterie	1
(6)	Manuale per l'operatore	1
(7)	Caricabatterie	1
(8)	Manuale per l'operatore	1



1. **Pulsante di accensione** Premere una volta per accendere l'unità. Il LED di alimentazione si illumina. Premere nuovamente il pulsante per spegnere l'unità. Il LED di alimentazione si spegne.
2. **LED di alimentazione** Il LED resta illuminato quando l'unità è alimentata. Il LED si spegne quando l'unità viene spenta.
3. **Interruttore a grilletto** Azionato dal dito dell'operatore per attivare il motore.
4. **Leva di regolazione acceleratore** Tirare indietro per aumentare il regime del soffiatore.
5. **Unità motore**

6. **Pacco batterie**
7. **Coperchio della scatola** Copre l'area della ventola del soffiatore.
8. **Etichetta numero di serie** Riporta il numero di modello e il numero di serie dell'unità.
9. **Tubi del soffiatore** Dotati di un esclusivo sistema a bloccaggio positivo.

Prima di iniziare

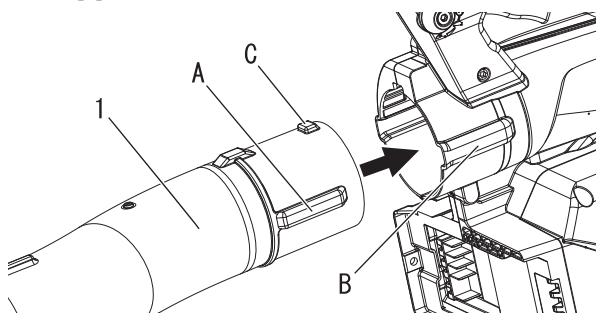
Montaggio

AVVERTENZA

- Leggere attentamente il manuale per l'operatore per essere certi di montare correttamente il prodotto.
- Non eseguire mai operazioni di manutenzione o procedure di montaggio con l'unità in funzione.
- ◆ L'uso di un prodotto non montato correttamente potrebbe causare incidenti o lesioni gravi.

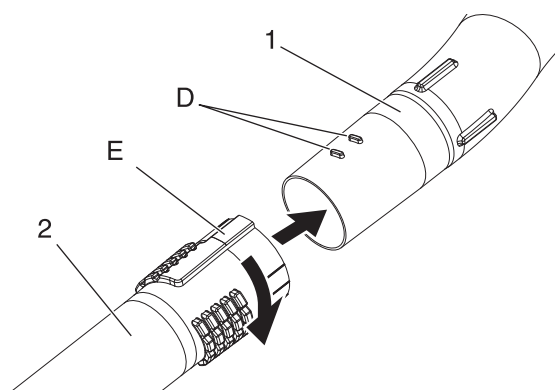


Montaggio dei condotti del soffiatore



1. Tubo del soffiatore

1. Posizionare l'unità in verticale, facendola poggiare sulla base del soffiatore.
2. Allineare le nervature della ghiera di bloccaggio (A) del tubo del soffiatore alle scanalature (B) dell'alloggiamento della ventola. Assicurarsi che la nervatura corta (C) sia rivolta verso il basso. Far scorrere il tubo del soffiatore nell'alloggiamento della ventola fino a quando non scatta in posizione.



1. Tubo del soffiatore

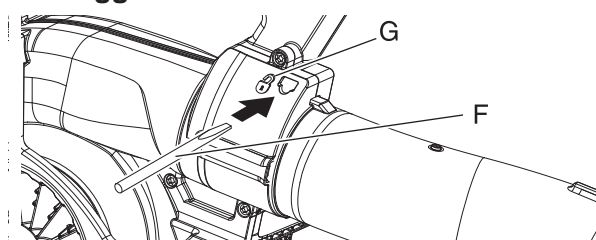
2. Ugello tondo dritto

3. Allineare le linguette (D) alle scanalature (E) e far scorrere l'ugello tondo dritto sul tubo del soffiatore finché non si avverte una leggera resistenza. Non forzare.
4. Bloccare il tubo del soffiatore, quindi ruotare l'ugello piatto dritto in senso orario, innestando saldamente i canali di bloccaggio. Non forzare.

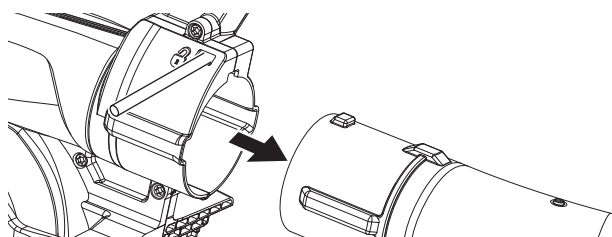
NOTA

Durante l'uso del soffiatore le giunzioni tra i tubi possono allentarsi. Il pratico ed esclusivo sistema di bloccaggio positivo consente un saldo fissaggio dei tubi. In caso di allentamento, rimuovere l'ugello rotondo dritto ed eseguire una nuova installazione seguendo le istruzioni riportate nei punti 3 e 4.

Smontaggio dei condotti del ventilatore



1. Inserire il cacciavite (F) nel foro posizionato accanto al simbolo di bloccaggio (G) per rilasciare il bloccaggio del condotto.



2. Estrarre i condotti dall'alloggiamento della ventola.
3. Rimuovere il cacciavite.

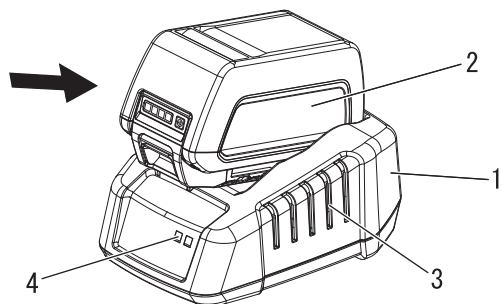
Carica della batteria

AVVERTENZA

- Utilizzare sempre batterie di tipo LBP-560-100/LBP-560-200 e ricaricare solo con il caricabatterie LCJQ-560.
- Tenere il caricabatterie e la batteria lontane da umidità e liquidi.
- Non azionare il caricabatterie su una superficie facilmente infiammabile (ad es. carta, tessuti) o in un ambiente ad alto rischio di incendio.
- Non coprire il caricabatterie. Se viene coperto, il caricabatterie non sarà in grado di raffreddarsi.
- Non utilizzare il caricabatterie in atmosfere esplosive, come ambienti saturi di liquidi, gas o polveri infiammabili. I caricabatterie possono generare scintille, che possono infiammare polveri o fumi, con il conseguente rischio di esplosioni.
- Collegare il caricabatterie al tipo di alimentazione di rete e alla frequenza di rete indicate sulla targhetta delle specifiche.
- Collegare il caricabatterie solo a una presa a muro facilmente accessibile.
- Non inserire mai oggetti nelle fessure di raffreddamento del pacco batterie o del caricabatterie.
- Non caricare o utilizzare un pacco batterie o un caricabatterie difettoso, danneggiato o deformato.
- Non aprire, danneggiare o far cadere il pacco batterie o il caricabatterie.
- Se la batteria è danneggiata o viene utilizzata in modo improprio, potrebbe fuoriuscire del liquido; evitare il contatto con la pelle. In caso di contatto accidentale, sciacquare abbondantemente le aree della pelle interessate con acqua e sapone. In caso di contatto del liquido con gli occhi, non strofinare. Sciacquare abbondantemente gli occhi con acqua per almeno 15 minuti. Richiedere inoltre assistenza medica.
- Non ponticellare (cortocircuitare) i contatti del pacco batteria o i terminali del caricabatterie con oggetti metallici.
- Proteggere dai raggi diretti del sole, calore e fiamme aperte e non gettare mai le batterie nel fuoco; vi è rischio di esplosione.
- In presenza di fumo o incendio nel caricabatterie, scollegarlo immediatamente dalla presa a muro.
- Se il cavo di alimentazione è danneggiato, scollegarlo immediatamente dalla presa, per evitare il rischio di scosse elettriche.
- Non esporre il pacco batterie a microonde o alta pressione.
- Proteggere l'unità da eventuali avviamenti non intenzionali. Rimuovere il pacco batterie dall'unità prima dell'eventuale trasporto o stoccaggio dell'unità. Non utilizzare contenitori metallici per il trasporto delle batterie.
- Al fine di ridurre il rischio di inciampare, posizionare e marcare il cavo di alimentazione in modo tale che non possa essere danneggiato o che costituisca un rischio per gli altri.

NOTA

- La batteria viene fornita già parzialmente carica quando l'unità viene spedita dalla fabbrica e deve pertanto essere caricata completamente prima dell'uso.
- Ricaricare la batteria quando questa non è più in grado di generare una potenza sufficiente a far funzionare l'unità, oppure quando la spia della batteria indica una bassa carica residua.



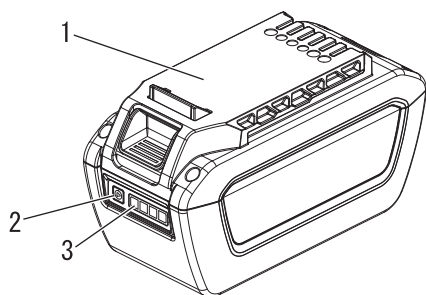
- 1. Caricabatterie
- 2. Batteria
- 3. Griglie di raffreddamento
- 4. LED del caricabatterie

1. Inserire il cavo di alimentazione CA del caricabatterie in una presa di rete.
2. Allineare i bordi della batteria con le scanalature del caricabatterie e quindi inserire la batteria all'interno del caricabatterie.
3. Durante le normali fasi di ricarica, il LED del caricabatterie, emetterà un lampeggio continuo di colore VERDE.

IMPORTANTE

- Se il caricabatterie rileva un problema, il LED emette un lampeggio di colore rosso. In tal caso, rimuovere la batteria dal caricabatterie, eliminare le eventuali ostruzioni dai contatti e reinstallare la batteria nel caricabatterie. Se la batteria sta operando fuori dai limiti di temperatura (da 0 °C a 60 °C), il LED continuerà ad emettere il lampeggio ROSSO.

Prima di iniziare



1. Batteria
2. Pulsante dello stato di carica della batteria
3. Indicatore a LED

- Una volta completata la ricarica, il LED emette una luce VERDE fissa.
 - * Un pacco batterie completamente scarico può essere ricaricato in circa 42 minuti. (LBP-560-100)
 - * Un pacco batterie completamente scarico può essere ricaricato in circa 88 minuti. (LBP-560-200)
- Assicurarsi che la batteria sia interamente carica, rimuovendola dal caricabatterie e quindi premendo il pulsante di misurazione dello stato di carica della batteria, e verificando lo stato sul relativo indicatore a LED.
 - ♦ 1 luce verde indica che la batteria ha una carica residua del 0-25%.
 - ♦ 2 luci verdi indicano che la batteria ha una carica residua del 25-50%.
 - ♦ 3 luci verdi indicano che la batteria ha una carica residua del 50-75%.
 - ♦ 4 luci verdi indicano che la batteria ha una carica residua del 75-100%.
- Scollegare il caricabatterie dall'alimentazione di rete.

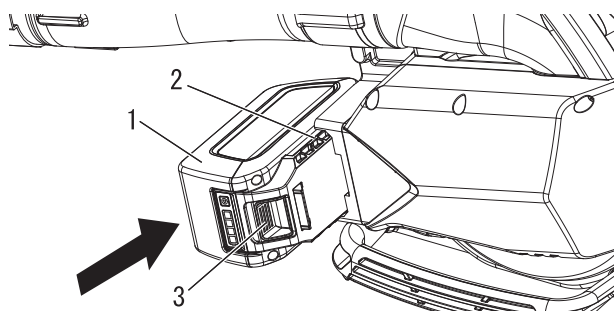
Fissaggio e rimozione della batteria

AVVERTENZA

- Il soffiatore funziona quando la batteria è installata, il LED di alimentazione si illumina. Assicurarsi che il soffiatore sia posizionato correttamente, per evitare di perdere il controllo e scongiurare il rischio di gravi infortuni.

NOTA

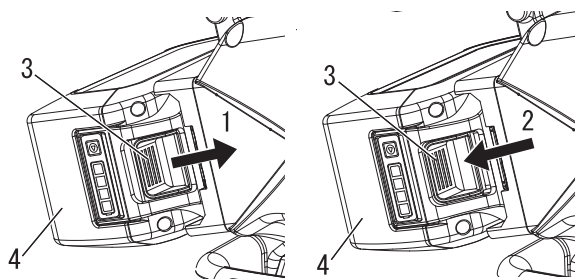
- ♦ La batteria viene fornita già parzialmente carica quando l'unità viene spedita dalla fabbrica e deve pertanto essere caricata completamente prima dell'uso.



1. Batteria
2. Bordo
3. Fermo del pacco batterie

Inserimento della batteria

- Rilasciare l'interruttore a grilletto e spostare la leva di regolazione acceleratore completamente in avanti nella posizione di arresto.
- Assicurarsi che l'unità sia disalimentata.
- Allineare i bordi della batteria con la scanalatura presente sul soffiatore. Quindi, inserire la batteria fino a quando il fermo scatta in posizione.



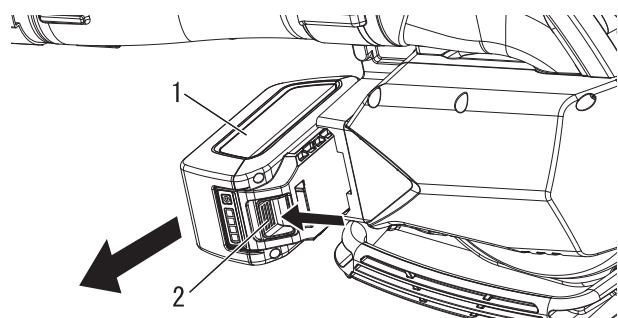
1. Posizione corretta
2. Posizione non corretta
3. Fermo del pacco batterie
4. Pacco batterie

IMPORTANTE

Prima di utilizzare il soffiatore, assicurarsi che la batteria sia inserita correttamente, con il fermo saldamente fissato nella posizione di blocco.

NOTA

- ♦ Il fermo della batteria è in posizione di blocco quando questo appare correttamente inserito nella sua sede.



1. Batteria

2. Fermo del pacco batterie

Rimozione della batteria

1. Per rimuovere la batteria, premere il fermo e far scorrere la batteria, estraendola dal corpo del soffiatore.

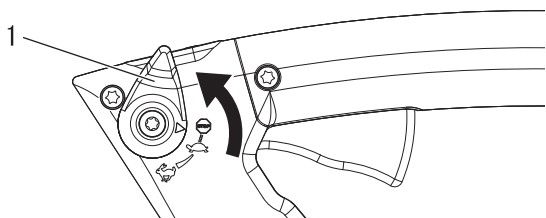
Avviamento e arresto

Avvio dell'unità

AVVERTENZA

○ Durante l'avvio dell'unità, osservare tutte le precauzioni indicate a Pagina 4 nella sezione "Per un uso sicuro del prodotto". Ciò serve a garantire che il prodotto venga utilizzato correttamente.

◆ La mancata osservanza di queste precauzioni può provocare incidenti, lesioni o perfino la morte.



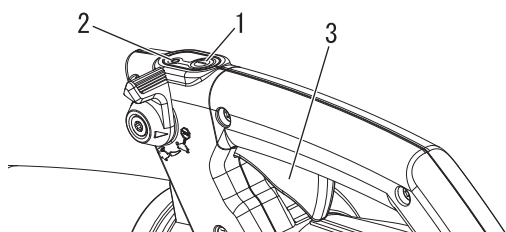
1. Leva di regolazione acceleratore

1. Spostare la leva di regolazione acceleratore completamente in avanti nella posizione di arresto.
2. Premere il pulsante di accensione una volta, per accendere l'unità.

NOTA

◆ Il LED di alimentazione resta illuminato quando l'unità è accesa.

3. Premere l'interruttore a grilletto per aumentare la velocità del soffiatore.



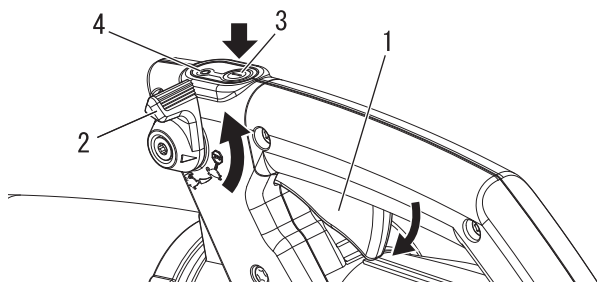
1. Pulsante di accensione 3. Interruttore a grilletto
2. LED di alimentazione

IMPORTANTE

Quando l'unità è accesa:

- ◆ Dopo un minuto di inutilizzo l'unità si spegnerà automaticamente.
- ◆ Se il LED rimane acceso, il funzionamento è normale.
- ◆ Se il LED lampeggia una volta al secondo, è necessario sostituire la batteria.
- ◆ Se il LED lampeggia quattro volte al secondo, significa che l'unità è guasta. Disalimentare l'unità. Rimuovere la batteria. Eliminare i residui presenti attorno alla ventola. Reinstallare la batteria. Rialimentare l'unità. Se il LED continua a lampeggiare, recarsi presso un centro di assistenza autorizzato per far riparare il prodotto.

Arresto dell'unità



1. Interruttore a grilletto 3. Pulsante di accensione
2. Leva di regolazione acceleratore 4. LED di alimentazione

1. Leva di regolazione acceleratore
Rilasciare l'interruttore a grilletto e spostare la leva di regolazione acceleratore completamente in avanti (posizione di arresto) e lasciar arrestare il soffiatore.
2. Premere il pulsante di accensione, per spegnere l'unità.

NOTA

◆ Il LED di alimentazione resta spento quando l'unità è spenta.

- * Se la pressione del pulsante non consente di arrestare il soffiatore, rimuovere la batteria per disalimentare l'unità. Quindi, portare l'unità presso un centro di assistenza autorizzato ECHO per far riparare il pulsante di accensione, prima di utilizzare nuovamente il soffiatore. Se il soffiatore non si arresta quando si rilascia l'interruttore a grilletto e si porta la leva di regolazione acceleratore completamente in avanti (posizione di arresto), togliere la batteria per interrompere l'alimentazione al soffiatore. Quindi, portare l'unità presso un centro di assistenza autorizzato ECHO per far eseguire le necessarie riparazioni, prima di utilizzarla nuovamente.

Funzionamento del soffiatore

AVVERTENZA

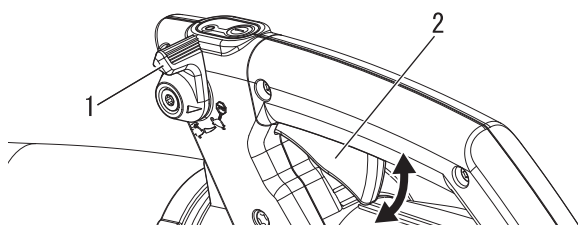
Indossare sempre occhiali protettivi e adottare tutte le precauzioni di sicurezza al fine di evitare infortuni gravi. Non puntare il condotto del soffiatore in direzione di persone o animali.

IMPORTANTE

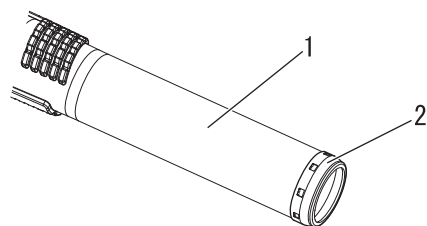
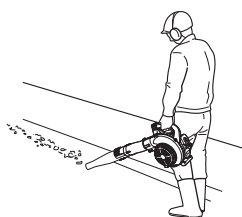
Per evitare di danneggiare il motore, non bloccare l'apertura del condotto del soffiatore. Non avviare mai il soffiatore senza aver montato i condotti del soffiatore.

NOTA

Non usare mai il soffiatore a regimi più elevati del necessario per eseguire un lavoro. Ricordare inoltre che quanto più elevata è la velocità, tanto più intenso sarà il rumore prodotto dal soffiatore. Ridurre al minimo la produzione di polvere utilizzando il soffiatore a bassi regimi. Raccogliere i detriti sul proprio terreno, mantenendo un comportamento corretto e rispettando i vicini di casa.



1. Leva di regolazione acceleratore 2. Interruttore a grilletto



1. Tubo dritto 2. Anello di protezione metallico

♦ Leggere attentamente la sezione relativa alla sicurezza.

1. Utilizzare il soffiatore durante le ore più opportune.
2. Controllare la velocità del soffiatore con l'interruttore a grilletto, oppure, per l'uso continuo, regolare la velocità del soffiatore con la leva di regolazione acceleratore. Ruotare la leva di regolazione acceleratore in avanti per ottenere regimi bassi, indietro per ottenere regimi alti.
3. Utilizzare il soffiatore a bassi regimi per eliminare erba e foglie secche da marciapiedi, patii e viali.
4. Un regime più elevato può essere necessario per soffiare via le foglie da prati o aiuole.
5. Un regime ancora più elevato può essere necessario per spazzare via ghiaia, detriti, neve, bottiglie o barattoli da viali, strade, parcheggi o stadi.
6. Quando si opera nelle vicinanze di abitazioni, evitare di dirigere il getto d'aria verso le finestre aperte. Ciò potrebbe causare l'infiltrazione di sporco e detriti attraverso la finestra.
7. Separare o spezzare i detriti da soffiare con un rastrello, per facilitarne lo spostamento.
8. Prima di procedere al soffiaggio dei detriti, inumidire le superfici da trattare, per minimizzare la formazione di polveri in atmosfera.
9. Arrestare sempre l'unità adottando la corretta procedura di arresto.

ATTENZIONE

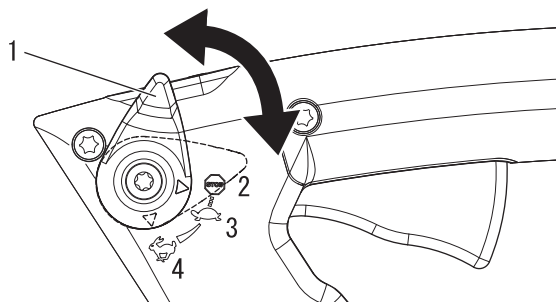
Il contatto tra l'estremità del tubo dritto e le superfici abrasive può creare spigoli affilati e appuntiti che, se toccati, possono causare infortuni. Evitare di raschiare o trascinare la punta del tubo dritto durante l'uso o il trasporto dell'unità. Sostituire l'intero tubo dritto se l'anello protettivo in metallo presenta segni di usura, crepe o deformazioni.

Funzionamento

Regolazione acceleratore

AVVERTENZA

Prima di collegare una batteria al soffiatore, portare sempre la leva di regolazione acceleratore completamente in avanti alla posizione di arresto. Se non si assicura che si trovi nella posizione di arresto si potrebbe verificare l'avviamento accidentale della soffiante con il rischio di gravi infortuni. Non bloccare l'interruttore a grilletto nelle applicazioni in cui potrebbe essere necessario fermare improvvisamente il soffiatore.



1. Leva di regolazione acceleratore
2. Arresto del soffiatore
3. Velocità ridotta
4. Massima velocità

1. Portare la leva di regolazione acceleratore verso il retro del soffiatore e nella posizione di ARRESTO, RIDOTTA o MASSIMA.
2. Il soffiatore rimarrà in funzione alla velocità selezionata.
3. Per arrestare il soffiatore, portare la leva di regolazione acceleratore completamente in avanti (posizione di arresto).

NOTA

Se la funzione di regolazione acceleratore viene attivata durante l'uso e si rimuove la batteria dall'attrezzo, disattivare immediatamente la regolazione acceleratore.

Guida alla manutenzione

Parte	Manutenzione	Pagina	Prima dell'uso	Mensilmente
Batteria	Ispezionare / pulire / caricare	21	•	
Coperchio dell'alloggiamento	Ispezionare/pulire	21	•	
Viti, bulloni e dadi	Ispezionare/serrare/sostituire	-	•	

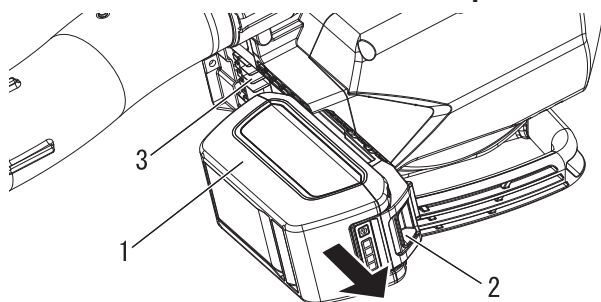
IMPORTANTE

Gli intervalli di tempo indicati sono quelli massimi. L'uso effettivo e l'esperienza dell'utente determineranno la frequenza degli interventi di manutenzione.

Manutenzione e cura

In caso di dubbi o problemi, contattare il rivenditore ECHO.

Pulitura della batteria e dello scomparto batterie



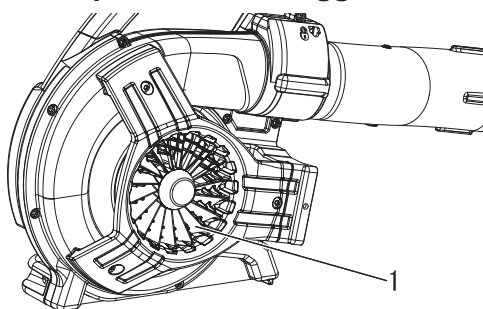
- 1. Batteria
- 2. Fermo del pacco batterie
- 3. Scomparto batterie

⚠ AVVERTENZA

○ **Rischio di scosse elettriche o incendio. Non utilizzare materiali conduttivi per pulire la batteria o lo scomparto batterie.**

1. Rilasciare l'interruttore a grilletto e spostare la leva di regolazione acceleratore completamente in avanti (posizione di arresto) e lasciar spegnere il soffiatore.
2. Assicurarsi che il LED di alimentazione non sia illuminato.
3. Premere il pulsante di sgancio della batteria e quindi estrarre la batteria dal corpo del soffiatore.
4. Utilizzare aria compressa o una spazzola a setole morbide per rimuovere gli eventuali residui presenti sulla batteria e nello scomparto batteria.

Pulizia del coperchio dell'alloggiamento



- 1. Coperchio dell'alloggiamento

Rimuovere polvere e materiali di vario tipo, incluse le foglie cadute dagli alberi, che possono bloccare il coperchio dell'alloggiamento.

IMPORTANTE

Non rimuovere il coperchio dell'alloggiamento. Se necessario, consultare il proprio concessionario.

Manutenzione e cura

Problemi tecnici

Problema	Causa	Soluzione
La spia rossa del caricabatterie lampeggia oppure non si illumina	<ul style="list-style-type: none">♦ Spina non collegata alla presa muro♦ Pacco batterie non installato correttamente♦ Collegamento ostruito♦ Anomalia nel caricabatterie♦ Anomalia nel pacco batterie	<ul style="list-style-type: none">♦ Collegare il caricabatterie all'alimentazione♦ Controllare l'installazione del pacco batterie♦ Reinstallare il pacco batterie dopo aver rimosso le ostruzioni dal collegamento♦ Consultare il proprio rivenditore ECHO♦ Consultare il proprio rivenditore ECHO
L'unità non si accende	<ul style="list-style-type: none">♦ Pacco batterie non installato correttamente	<ul style="list-style-type: none">♦ Controllare l'installazione del pacco batterie
L'unità non funziona dopo l'accensione	<ul style="list-style-type: none">♦ Pacco batterie scarico♦ La temperatura del pacco batterie è superiore ai valori considerati accettabili	<ul style="list-style-type: none">♦ Caricare il pacco batterie♦ Rimuovere il pacco batterie e farlo raffreddare
Tempo di funzionamento troppo breve	<ul style="list-style-type: none">♦ La temperatura del pacco batterie è superiore ai valori considerati accettabili♦ I componenti elettronici sono surriscaldati♦ Pacco batterie scarico	<ul style="list-style-type: none">♦ Rimuovere il pacco batterie e farlo raffreddare♦ Spegnerne l'unità e attendere che si raffreddi♦ Caricare il pacco batterie
L'unità funziona ma il getto d'aria è debole o del tutto assente	<ul style="list-style-type: none">♦ Tubo del soffiatore intasato♦ Tubo del soffiatore allentato♦ Tubo del soffiatore danneggiato♦ Ingresso aria intasato♦ Anomalia nella ventola	<ul style="list-style-type: none">♦ Disintasarne il tubo♦ Serrare il tubo♦ Sostituire il tubo♦ Disintasarne l'ingresso aria♦ Consultare il proprio rivenditore ECHO
L'unità vibra eccessivamente	<ul style="list-style-type: none">♦ È presente un guasto nei componenti interni	<ul style="list-style-type: none">♦ Consultare il proprio rivenditore ECHO

- ♦ Il controllo e la manutenzione richiedono competenze specialistiche. In caso di problemi o difficoltà durante la manutenzione del prodotto, consultare il proprio rivenditore ECHO. Non tentare di smontare il prodotto.
- ♦ In caso di problemi non menzionati nella tabella consultare il proprio rivenditore.
- ♦ Per i pezzi di ricambio e gli articoli di consumo, utilizzare solo parti originali, prodotti e componenti raccomandati. L'utilizzo di ricambi di altri produttori o componenti non raccomandati potrebbe provocare guasti.

Rimessaggio

AVVERTENZA

Non stoccare in un contenitore in cui potrebbero accumularsi fumi infiammabile.

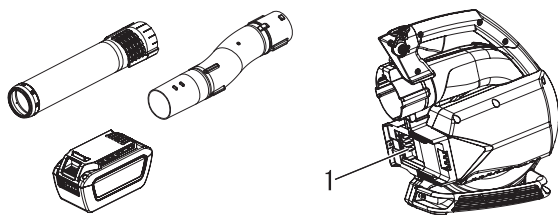
Questo potrebbe provocare un incendio.

Quando si conserva il prodotto per un lungo periodo, assicurarsi di effettuare le seguenti operazioni di preparazione.

Soffiatore ricaricabile

Evitare di tenere l'unità inutilizzata per lunghi periodi di tempo senza eseguire le operazioni di manutenzione protettive per il rimessaggio, che includono quanto segue:

1. Spegnerne l'unità.
2. Rimuovere la batteria dal soffiatore.
3. Rimuovere eventuali accumuli di sporco e detriti dalle parti esterne dell'unità.
4. Serrare tutte le viti e i dadi.
5. Togliere il complessivo condotto soffiatore dall'attrezzatura.
6. Coprire lo scomparto batteria del soffiatore.
7. Conservare l'unità in un ambiente asciutto e privo di polvere.



1. Scomparto batterie

Batteria

1. Rimuovere la batteria dal soffiatore.
2. Conservare in un luogo asciutto e privo di polvere, lontano dalla portata dei bambini.
3. Conservare a temperature comprese tra -20 °C (-4 °F) e 60 °C (140 °F).
4. Se la batteria deve restare inutilizzata per oltre un anno, ricaricarla fino al 40% - 60% della capacità.

Caricabatterie

1. Rimuovere la batteria dal caricabatterie.
2. Scollegare il caricabatterie dall'alimentazione di rete.
3. Conservare in un ambiente asciutto e privo di polvere.

Manutenzione e cura

Smaltimento



- ♦ I componenti principali di plastica del prodotto presentano dei codici che indicano i materiali che li costituiscono. I codici fanno riferimento ai seguenti materiali; smaltire questi componenti di plastica in conformità alla legislazione locale.

Contrassegno	Materiale
>PA6-GF<	Nylon 6 - Fibra di vetro
>PP-GF<	Polipropilene - Fibra di vetro
>PE-HD<	Polietilene

- ♦ La batteria contiene litio. Eseguire lo smaltimento soltanto presso uno dei punti di raccolta designati.
- ♦ Le batterie agli ioni di litio devono essere riciclate o smaltite correttamente.
- ♦ Contattare il concessionario ECHO di fiducia, se non si è a conoscenza delle modalità di smaltimento o riciclaggio dei componenti di plastica.

Caratteristiche tecniche

		DPB-600
Massa:		
con tubi del soffiatore, senza batteria	kg	3,2
con tubi del soffiatore e batteria	kg	5,0
Dimensioni esterne (senza tubi del soffiatore):		
Lunghezza	mm	353
Larghezza	mm	187
Altezza	mm	336
Volume di aria:	m ³ /h	648
Velocità aria max:	m/sec	72,5
Batteria:		
Tipo		Ioni di litio
Pacco in tensione	V	56 (nominale 50,4)
Tipo caricabatterie		CCCV
Tensione di ingresso caricabatterie	V	230 - 240 CA
Spie del caricabatterie:		LED Rosso: la temperatura della batteria ha superato i valori di temperatura prestabiliti LED Rosso lampeggiante: malfunzionamento LED Verde: ricarica batteria completata LED Verde lampeggiante: la ricarica procede normalmente
Tempo di carica:		Batteria LBP-560-100: Circa 42 minuti. Batteria LBP-560-200: Circa 88 minuti.
Livello pressione sonora: (EN 50636-2-100)	dB(A)	81,9
Livello potenza acustica: (EN 50636-2-100)	dB(A)	94
Incertezza	dB(A)	3
Livelli di vibrazioni: (EN 50636-2-100)	m/s ²	0,7
Incertezza: K	m/s ²	1,5

Queste specifiche possono subire modifiche senza preavviso.

- Il valore totale dichiarato delle vibrazioni è stato misurato in conformità al metodo di test standard e può essere utilizzato per comparare tra loro due utensili.
- Il valore totale delle vibrazioni dichiarato può anche essere utilizzato per l'esecuzione di una valutazione preliminare del livello di esposizione.

Dichiarazione di conformità

Il produttore sottoscritto:

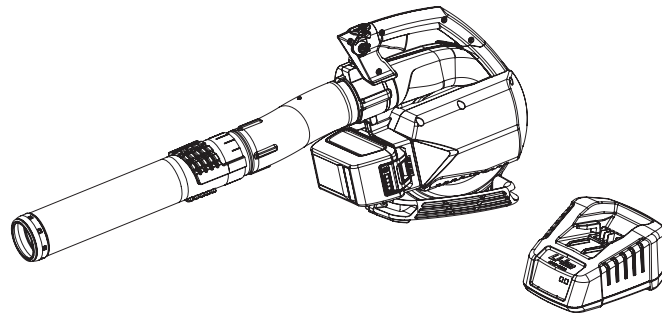
YAMABIKO CORPORATION
7-2 SUEHIROCHO 1-CHOME
OHME; TOKYO 198-8760
GIAPPONE

La presente dichiarazione di conformità viene rilasciata sotto la responsabilità esclusiva del produttore.

Dichiara che la nuova unità di seguito descritta:

**SOFFIATORE
CARICABATTERIE**

**Marchio: ECHO
Tipo: DPB-600
LCJQ-560**



assemblato da:

ECHO, INCORPORATED
400 Oakwood Road
Lake Zurich, Illinois 60047-1564
U.S.A.

È conforme a:

- * Requisiti della Direttiva **2006/42/CE** (applicazione degli standard armonizzati **EN 60335-1: 2012, EN 50636-2-100: 2014**)
- * Requisiti della Direttiva **2014/30/CE** (applicazione degli standard armonizzati **EN 55014-1: 2006, EN 55014-2: 1997, EN 61000-3-2: 2006, e EN 61000-3-3: 2008**)
- * Requisiti richiesti dalla Direttiva **2014/35/CE** (applicazione degli standard armonizzati **EN 60335-1: 2012, EN 60335-2-29: 2004, e EN 62233: 2008**)
- * Requisiti richiesti dalla Direttiva **2000/14/CE**

Conforme alla procedura di accertamento dell'**ALLEGATO V**

- * Requisiti richiesti dalla Direttiva **2011/65/CE** (uso della norma armonizzata **EN 50581: 2012**)

Livello di potenza acustica misurato: **94 dB(A)**

Livello di potenza acustica garantito: **97 dB(A)**

DPB-600

Numero di serie 35001001 e superiori

LCJQ-560

Numero di serie 35001001 e superiori

Tokyo, 1 luglio 2016

YAMABIKO CORPORATION

Handwritten signature of Masayuki Kimura in black ink.

Masayuki Kimura

Direttore generale

Reparto Garanzia di qualità

Rappresentante autorizzato in Europa a costituire il fascicolo tecnico.

Azienda: Atlantic Bridge Limited

Indirizzo: Atlantic House, PO Box 4800,

Earley, Reading RG5 4GB, Regno Unito

Sig. Philip Wicks

MEMORANDUM

YAMABIKO CORPORATION

7-2 SUEHIROCHO 1-CHOME, OHME, TOKYO 198-8760, GIAPPONE

TELEFONO: 81-428-32-6118. FAX: 81-428-32-6145.

ECHO®



X750-027 39 0

X750 821-010 1



ES ESPAÑOL
(Instrucciones originales)

MANUAL DE INSTRUCCIONES

SOPLADORA RECARGABLE

DPB-600



ADVERTENCIA

LEA ATENTAMENTE LAS INSTRUCCIONES Y SIGA LAS INDICACIONES PARA UN FUNCIONAMIENTO SEGURO. DE NO HACERLO, PODRÍA SUFRIR LESIONES GRAVES.

Información importante

Asegúrese de leer el manual de instrucciones antes de utilizar el producto.

○ Uso al que está destinado este producto

- ♦ La sopladora recargable ECHO está diseñada para soplar polvo de varios tipos, incluidas hojas caídas.
- ♦ No utilice esta herramienta para un uso distinto para el que está diseñada.

○ Usuarios del producto

- ♦ No deberá utilizar este producto hasta que no haya leído atentamente el manual de instrucciones y entendido su contenido.
- ♦ Nadie que no haya leído el manual de instrucciones adecuadamente deberá utilizar el producto. Asimismo, deberá evitar su utilización si se encuentra resfriado, cansado o en una mala condición física, así como la utilización por parte de niños.
- ♦ Tenga presente que el operador o usuario es responsable de los accidentes o peligros ocasionados a terceras personas o a su propiedad.

○ Acerca del manual de instrucciones

- ♦ Este manual proporciona la información necesaria para el funcionamiento y mantenimiento de esta máquina. Léalo atentamente y entienda su contenido.
- ♦ Mantenga siempre el manual en un lugar fácilmente accesible.
- ♦ Si ha perdido el manual o si está dañado y no es legible, adquiera uno nuevo en su DISTRIBUIDOR ECHO.
- ♦ Las unidades utilizadas en este manual son unidades SI (sistema internacional de unidades). Las cifras que aparecen entre paréntesis son valores de referencia y, en algunos casos, puede haber un ligero error de conversión.

○ Préstamo o asignación del producto

- ♦ Cuando preste el producto descrito en este manual a una tercera persona, asegúrese de que la persona que recibe y trabaja con el producto reciba el manual de instrucciones con el mismo. Si asigna el producto a una tercera persona, adjunte el manual de instrucciones con el producto cuando haga la entrega.

○ Consultas

- ♦ Póngase en contacto con su DISTRIBUIDOR ECHO para consultas relacionadas con información del producto, para la adquisición de consumibles, reparaciones y cualquier otro tipo de consultas.

○ Avisos

- ♦ El contenido de este manual puede sufrir cambios sin previo aviso debido a actualizaciones del producto. Algunas de las ilustraciones utilizadas pueden ser diferentes al propio producto para hacer más claras las explicaciones.
- ♦ Este producto requiere el montaje de algunas piezas.
- ♦ Consulte con su DISTRIBUIDOR ECHO si hay algo que no esté claro o le preocupe.

Fabricante

YAMABIKO CORPORATION

7-2 SUEHIROCHO 1-CHOME, OHME, TOKIO 198-8760, JAPÓN

Representante autorizado en Europa

Atlantic Bridge Limited

Atlantic House, PO Box 4800, Earley, Reading RG5 4GB, Reino Unido

Para una utilización segura del producto.....	4
Avisos de advertencia.....	4
Otros indicadores.....	4
Símbolos.....	4
Ubicación en la que se encuentra el adhesivo de seguridad	5
Manipulación del producto.....	6
Lista de piezas	12
Descripción	13
Antes de comenzar	14
Montaje	14
Encendido y detención	18
Encendido de la unidad	18
Detención de la unidad	18
Funcionamiento	19
Puesta en marcha del soplador	19
Mantenimiento y cuidados	21
Directivas de asistencia	21
Mantenimiento y cuidados	21
Tabla de localización de averías	22
Almacenamiento	23
Eliminación	24
Características técnicas.....	25
Declaración de conformidad	26

Para una utilización segura del producto

Lea atentamente esta sección antes de utilizar el producto.




○ Las precauciones descritas en esta sección contienen información de seguridad importante. Cúmplalas cuidadosamente.

○ Asimismo, debe leer las precauciones que aparecen en el interior del propio manual.

El texto que aparece después de una marca [marca de diamante] describe las posibles consecuencias de no cumplir la precaución.


Avisos de advertencia

Las situaciones en las que existe un riesgo de lesión física para el operador y para otras personas aparecen indicadas en este manual y en el propio producto mediante los siguientes avisos de peligro. Léalos y téngalos siempre en cuenta para garantizar un funcionamiento seguro.

 PELIGRO	 ADVERTENCIA	 PRECAUCIÓN
Este símbolo acompañado por la palabra " PELIGRO " llama la atención sobre una acción o sobre unas condiciones que causarán heridas personales importantes o incluso la muerte al operario y a los transeúntes.	Este símbolo acompañado por la palabra " ADVERTENCIA " llama la atención sobre una acción o sobre unas condiciones que pueden causar heridas personales importantes o incluso la muerte al operario y a los transeúntes.	" PRECAUCIÓN " indica una situación potencialmente peligrosa que, si no se evita, puede provocar heridas leves o moderadas.

Otros indicadores

Además de los avisos de advertencia, en este manual se utilizan los siguientes símbolos explicativos:









	El círculo con barra oblicua prohíbe la acción o uso de los objetos mostrados.	NOTA	IMPORTANTE
		Este mensaje enmarcado proporciona consejos para el uso, cuidado y mantenimiento del equipo.	El texto enmarcado con la palabra " IMPORTANTE " contiene información importante relativa al uso, comprobación, mantenimiento y almacenamiento del producto descrito en este manual.

Símbolos

En este manual y en el propio producto se utilizan una serie de símbolos explicativos. Asegúrese de entender completamente lo que significa cada símbolo.

Forma y silueta del símbolo	Descripción/aplicación del símbolo	Forma y silueta del símbolo	Descripción/aplicación del símbolo
	Lea atentamente el manual de instrucciones		Utilice protección ocular
	Seguridad / Alerta		Amputación de dedo
	Tenga cuidado de no sufrir descargas eléctricas		Tenga precaución con las zonas a alta temperatura
	Parada		Velocidad lenta

Para una utilización segura del producto

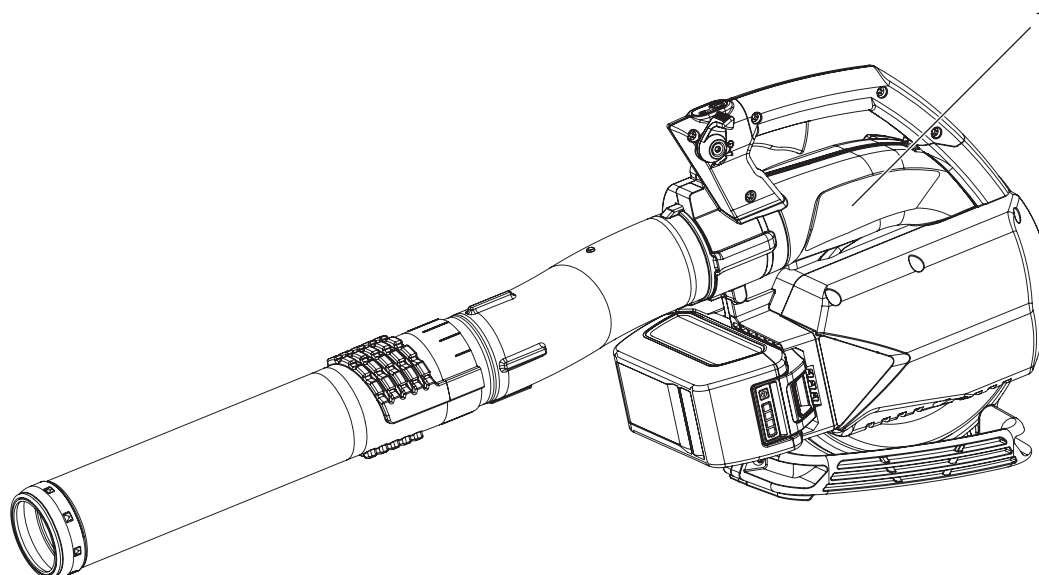
Forma y silueta del símbolo	Descripción/aplicación del símbolo	Forma y silueta del símbolo	Descripción/aplicación del símbolo
	No utilizar si llueve o en lugares húmedos		Velocidad rápida
	Mantener a los transeúntes a una distancia de 15 m		¡Protección del medioambiente!
	Nivel de potencia acústica garantizado		Voltios
	Herramienta de clase II		Corriente continua

Ubicación en la que se encuentra el adhesivo de seguridad

- El producto descrito en este manual incorpora el adhesivo de seguridad mostrado a continuación. Asegúrese de comprender el significado del adhesivo antes de utilizar el producto.
- Si el adhesivo es ilegible debido al desgaste, está dañado o se ha despegado, adquiera un adhesivo de repuesto en su distribuidor y colóquelo en la ubicación mostrada en la ilustración que aparece a continuación. Asegúrese de que el adhesivo sea siempre legible.



1. Adhesivo de seguridad (Número de pieza X505008910)



Para una utilización segura del producto

Manipulación del producto

Advertencias generales de seguridad para herramientas eléctricas

ADVERTENCIA

Lea todas las advertencias de seguridad y todas las instrucciones.

Si no se respetan las advertencias y las instrucciones pueden producirse descargas eléctricas, fuego y/o lesiones graves.

Guarde todas las advertencias e instrucciones para futuras consultas.

El término "herramienta eléctrica" de las advertencias hace referencia a su herramienta eléctrica conectada a la red (con cable) o la accionada mediante batería (inalámbrica).

Seguridad en el área de trabajo

○ **Mantenga el área de trabajo limpia y bien iluminada.**

◆ Las zonas desordenadas u oscuras invitan a que se produzcan accidentes.

○ **No utilice herramientas eléctricas en atmósferas explosivas, como en las que se encuentran líquidos inflamables, gases o polvo.**

◆ Las herramientas eléctricas generan chispas que podrían encender el polvo o los gases.

○ **Mantenga a los niños y a los transeúntes alejados mientras utiliza una herramienta eléctrica.**

◆ Las distracciones pueden causar que pierda el control.

Seguridad eléctrica

○ **Los enchufes de las herramientas eléctricas deben coincidir con la toma de corriente. Nunca modifique los enchufes. No utilice adaptadores con herramientas eléctricas conectadas a masa (tierra).**

◆ El uso de enchufes sin modificar con tomas de alimentación correspondientes reducirá el riesgo de descargas eléctricas.

○ **Evite el contacto del cuerpo con las superficies de objetos conectados a tierra, como las tuberías, radiadores, estufas y refrigeradores.**

◆ Existe un mayor riesgo de descargas eléctricas si su cuerpo se conecta a masa o a tierra.

○ **No exponga las herramientas eléctricas a la lluvia ni a condiciones de humedad.**

◆ Si el agua entra en el interior de la herramienta eléctrica, aumentará el riesgo de que se produzcan descargas eléctricas.

○ **No haga un mal uso del cable. Nunca utilice el cable para transportar, desenchufar o tirar de la herramienta eléctrica. Mantenga el cable alejado del calor, el aceite, los bordes afilados o las piezas móviles.**

◆ Si los cables están dañados o enredados, aumenta el riesgo de descargas eléctricas.

○ **Cuando utilice una herramienta eléctrica en exteriores, utilice cables alargadores adecuados para su uso en exteriores.**

◆ El uso de cables adecuados para exteriores reduce el riesgo de descargas eléctricas.

○ **Si la utilización de una herramienta eléctrica en un lugar húmedo es inevitable, utilice un suministro protegido con un interruptor de circuito de fallos de conexión a tierra (GFCI).**

◆ El uso de un GFCI reduce el riesgo de descargas eléctricas.

Seguridad personal

○ **Cuando utilice una herramienta eléctrica, permanezca alerta, mire lo que está haciendo y aplique el sentido común. No utilice herramientas eléctricas cuando esté cansado o bajo la influencia de drogas, alcohol o medicamentos.**

◆ Un momento de distracción mientras se utiliza una herramienta eléctrica puede causar lesiones graves.

○ **Utilice equipos de protección individual. Utilice siempre protección ocular.**

◆ El uso de equipos de protección para condiciones adecuadas como máscaras antipolvo, zapatos de seguridad con suela antideslizante, casco o protección para los oídos reducirá el riesgo de lesiones.

○ **Evite el encendido involuntario. Asegúrese de que el interruptor está en la posición de apagado antes de conectar la herramienta a la toma de alimentación y/o al pack de baterías, de coger o de transportar la herramienta.**

◆ Transportar herramientas eléctricas con el dedo en el interruptor o conectar a la alimentación herramientas eléctricas con el interruptor encendido invita a accidentes.

○ **Antes de poner la herramienta en funcionamiento quite cualquier llave de ajuste.**

◆ Dejar llaves montadas en una pieza giratoria de la herramienta eléctrica puede causar lesiones personales.

○ **No intente llegar demasiado lejos. Mantenga un buen apoyo y un equilibrio correcto en todo momento.**

◆ Esto le proporciona un mejor control de la herramienta eléctrica en situaciones imprevistas.

○ **Utilice la ropa adecuada. No utilice ropa suelta ni joyas. Mantenga su pelo, su ropa y sus guantes alejados de las piezas móviles.**

◆ Las prendas sueltas, las joyas o el cabello largo pueden quedar atrapados en las piezas móviles.

○ **Si los dispositivos se suministran para la conexión de aparatos de extracción y recogida de polvo, asegúrese de conectarlos y utilizarlos adecuadamente.**

◆ El uso de aparatos de recogida de polvo puede reducir los riesgos asociados a éste.

La emisión de vibraciones durante el uso real de la herramienta eléctrica puede diferir del valor total declarado dependiendo de la forma de uso de la herramienta; y de la necesidad de identificar medidas de seguridad para proteger al operario basadas en una estimación de la exposición a las condiciones reales de uso (teniendo en cuenta todas las partes del ciclo de uso, como los tiempos en los que la herramienta está apagada o cuando está funcionando en vacío, además del tiempo de actividad propiamente dicho).

Para una utilización segura del producto

ADVERTENCIA

Uso y cuidados de las herramientas eléctricas

- **No fuerce la herramienta eléctrica. Utilice la herramienta eléctrica adecuada para su tarea.**
- ◆ Una herramienta eléctrica correcta realizará mejor el trabajo y de una forma más segura al régimen para el que fue diseñada.
- **No utilice la herramienta eléctrica si el interruptor no se enciende y apaga.**
- ◆ Toda herramienta eléctrica que no pueda controlarse con el interruptor es peligrosa y debe repararse.
- **Desconecte el enchufe de la toma de alimentación y/o el pack de baterías de la herramienta eléctrica antes de realizar ajustes, cambiar accesorios o de almacenarla.**
- ◆ Estas medidas preventivas de seguridad reducen el riesgo de que la herramienta eléctrica se ponga en funcionamiento accidentalmente.
- **Guarde las herramientas eléctricas lejos del alcance de los niños y no permita que las utilicen personas que no estén familiarizadas con ellas o con estas instrucciones.**
- ◆ Las herramientas eléctricas son peligrosas en manos de usuarios no cualificados.
- **Realice el mantenimiento de las herramientas eléctricas. Compruebe el posible desajuste o agarrotamiento de las piezas móviles, la rotura de piezas o cualquier otra condición que pudiera afectar al funcionamiento de la herramienta eléctrica. Si está dañada, haga que la reparen antes de su uso.**
- ◆ El mantenimiento deficiente de las herramientas eléctricas es causa de muchos accidentes.
- **Mantenga las herramientas de corte afiladas y limpias.**
- ◆ Las herramientas de corte mantenidas adecuadamente con bordes de corte afilados tienen menos posibilidades de atascarse y son más fáciles de controlar.
- **Utilice la herramienta eléctrica, accesorios y brocas, etc. de acuerdo con estas instrucciones, teniendo en consideración las condiciones de trabajo y la tarea que debe realizarse.**
- ◆ El uso de la herramienta eléctrica para fines distintos a los que ha sido diseñada puede causar situaciones peligrosas.

Uso y cuidados de las herramientas con batería

- **Realice la recarga únicamente con el cargador especificado por el fabricante.**
- ◆ Un cargador adecuado para un tipo de baterías puede crear riesgo de incendios cuando se usa con otro tipo de baterías.
- **Utilice las herramientas eléctricas sólo con packs de baterías específicamente designados.**
- ◆ El uso de cualquier otro pack de baterías puede suponer un riesgo de lesiones o fuego.
- **Cuando no utilice un pack de baterías, manténgalo alejado de otros objetos metálicos, como clips de papel, monedas, llaves, clavos, tornillos u otros objetos metálicos pequeños que podrían realizar una conexión entre sus terminales.**
- ◆ Cortocircuitar los terminales de la batería puede causar quemaduras o fuego.
- **En condiciones de uso abusivo, puede salir líquido de la batería; evite el contacto con él. Si se produce un contacto accidental, aclare con agua. Si el líquido entra en contacto con los ojos, busque asistencia médica.**
- ◆ El líquido de la batería puede causar irritación o quemaduras.

Asistencia

- **Asegúrese de que el mantenimiento de su herramienta eléctrica lo utiliza un reparador cualificado utilizando únicamente repuestos idénticos.**
- ◆ Así se asegurará de mantener la seguridad de la herramienta eléctrica.

Para una utilización segura del producto

Precauciones generales

ADVERTENCIA

Manual de instrucciones

- Lea atentamente el manual de instrucciones antes de utilizar el producto a fin de asegurar un funcionamiento correcto.
- ◆ Si no lo hace podría provocar un accidente o una lesión grave.



No utilice el producto para un uso distinto para el que está diseñado

- No debe utilizar el producto para ningún propósito distinto de los descritos en el manual de instrucciones.
- ◆ De hacerlo, podría provocar un accidente o una lesión grave.

No modifique el producto

- No debe modificar el producto.
- ◆ De hacerlo, podría provocar un accidente o una lesión grave. Cualquier error resultante de una modificación del producto no estará cubierto por la garantía del fabricante.

No utilice el producto a no ser que haya sido comprobado y se le haya realizado el mantenimiento

- No debe utilizar el producto a no ser que haya sido comprobado y se le haya realizado el mantenimiento. Asegúrese siempre de comprobar el producto y de realizar regularmente el mantenimiento.
- ◆ Si no lo hace, podría producirse un accidente o una lesión grave.

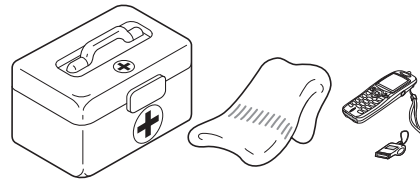
Préstamo o asignación del producto

- Cuando preste el producto a una tercera persona, asegúrese de que la persona que toma prestado el producto recibe con él el manual de instrucciones.
- Si asigna el producto a una tercera persona, adjunte el manual de instrucciones con el producto cuando haga la entrega.
- ◆ Si no lo hace, podría producirse un accidente o una lesión grave.

Preparación en caso de sufrir una lesión

En el improbable caso de sufrir un accidente o lesión, asegúrese de que esté preparado.

- Equipo de primeros auxilios
- Paños y toallas (para detener cualquier hemorragia)
- Silbato o teléfono móvil (para solicitar ayuda externa)
- ◆ Si no es capaz de realizar los primeros auxilios o de pedir ayuda externa, la lesión podría empeorar.



Para una utilización segura del producto

Precauciones de uso

ADVERTENCIA

Usuarios del producto

El producto no podrá ser utilizado por:

- personas que estén cansadas
- personas que hayan consumido alcohol
- personas que estén tomando medicación
- mujeres embarazadas
- personas que estén en una mala condición física
- personas que no hayan leído el manual de instrucciones
- niños

◆ Si no sigue estas instrucciones podría provocar un accidente.

- Este producto genera campos electromagnéticos durante su funcionamiento. Los campos magnéticos pueden causar interferencias con los marcapasos o hacer que no funcionen correctamente. Para reducir los riesgos para la salud, recomendamos a los usuarios de marcapasos que consulten a su médico y al fabricante del marcapasos antes de utilizar este producto.



Condiciones de uso y de funcionamiento

○ No utilice el producto

- ◆ en lugares mojados o húmedos.
- ◆ si llueve.
- ◆ en condiciones meteorológicas adversas.

◆ De hacerlo, podría provocar un accidente o una lesión grave.

○ No utilice el producto en lugares donde no se asegure la estabilidad, por ejemplo, en cuestras empinadas o después de que haya llovido, ya que dichos lugares son resbaladizos y peligrosos.

○ No trabaje con el producto de noche o en lugares oscuros con poca visibilidad.

◆ Si se cae o se resbala podría sufrir una lesión grave, o bien no lograr que el producto funcione correctamente.



El área dentro de un radio de 15 metros es una zona peligrosa

El área dentro de un radio de 15 metros del producto es una zona peligrosa. Tenga cuidado de cumplir estas precauciones cuando trabaje con el producto.

○ No permite que niños, otras personas o mascotas entren en la zona de peligro.

○ Si entra otra persona en la zona de peligro, apague la unidad para detenerla.

○ Cuando se acerque al operario, hágale una señal, por ejemplo, arrojándole ramitas desde el exterior de la zona de peligro y, a continuación, compruebe que la unidad se haya desconectado.

○ Si hay más de una persona trabajando con el producto, identifique la forma en la que se avisarán y trabajen a una distancia mínima de 15 metros de distancia.

◆ Los objetos lanzados pueden causar lesiones graves al operario o a los transeúntes.

Uso del producto

Al utilizar el producto, preste especial atención al cumplimiento de las siguientes precauciones.

- No dirija el tubo de la sopladora hacia personas o animales.
- No utilice el producto en lugares en los que no exista un punto de apoyo seguro para los pies.
- Sujete la empuñadura firmemente.
- Procure no utilizar el producto a altas horas de la noche o muy temprano por la mañana, puesto que el ruido molestará a los vecinos.

◆ Si no sigue estas instrucciones podría provocar un accidente o lesión.

Apague la unidad cuando realice un traslado

Si se encuentra en alguna de las situaciones descritas a continuación, apague la unidad y desplácese.

○ Traslado al lugar de trabajo.

○ Traslado a otra zona mientras está trabajando.

○ Abandono del lugar en el que ha estado trabajando.

◆ Si no cumple estas precauciones podría sufrir quemaduras o una lesión grave.

○ Cuando transporte el producto en un vehículo, extraiga la batería y asegúrelo firmemente en su lugar para evitar que se mueva.

Tenga cuidado de no quedarse atrapado en el ventilador

○ Tenga cuidado de que su cabello no se enganche en el ventilador.

◆ La aspiración del viento procedente del ventilador podría atrapar su mano o cualquier otro objeto en el ventilador y provocar lesiones graves.

Las vibraciones y el frío

Se cree que puede contraerse una enfermedad llamada fenómeno de Raynaud, que afecta a los dedos de ciertos individuos, si se está expuesto a vibraciones y frío. La exposición a las vibraciones y al frío puede causar cosquilleo y quemazón en los dedos, seguido de pérdida de color y sensación de dedos dormidos.

Se recomiendan las siguientes precauciones, ya que se desconoce cuál es la exposición mínima que desencadena esta dolencia.

○ Mantenga el cuerpo caliente, especialmente la cabeza y el cuello, los pies y los tobillos y las manos y las muñecas.

○ Mantenga una buena circulación sanguínea realizando vigorosos ejercicios con los brazos durante frecuentes descansos y también no fumando.

○ Limite el número de horas de trabajo.

Intente también hacer cada día trabajos en los que no sea necesario usar la sopladora u otros equipos eléctricos de sujeción manual.

○ Si experimenta molestias, rojez o hinchazón de los dedos, seguidos de una pérdida de sensación y emblanqueamiento de los mismos, consulte con su médico antes de volver a exponerse al frío y a las vibraciones.

◆ Si no tiene en cuenta estas instrucciones podría perjudicar su salud.

Para una utilización segura del producto

ADVERTENCIA

Lesiones por esfuerzos repetitivos

Se cree que un uso excesivo de los músculos y tendones de los dedos, manos, brazos y hombros puede causar dolores, hinchazones, adormecimiento, debilidad y dolores extremos en los mismos. Ciertas actividades repetitivas de las manos pueden suponer un alto riesgo para el usuario de desarrollo de lesiones debidas a esfuerzos repetitivos (RSI).

Para reducir el riesgo de lesiones por RSI:

- Evite colocar la muñeca en posición doblada, extendida o torcida.
- Tómese descansos periódicos para minimizar la repetición y deje descansar las manos. Reduzca la velocidad y fuerza con la que hace el movimiento repetitivo.
- Haga ejercicios que fortalezcan los músculos de las manos y de los brazos.
- Consulte a su médico si siente cosquilleos, adormecimiento o dolor en los dedos, manos, muñecas o brazos. Cuanto antes se diagnostiquen lesiones por RSI, más probabilidades tendrá de prevenir daños permanentes en los nervios y músculos.
- ◆ Si no tiene en cuenta estas instrucciones podría perjudicar su salud.

Situaciones en las que debe desconectarse la batería

- Siempre que el usuario deje de utilizar la máquina.
- Antes de limpiar un bloqueo.
- Antes de comprobar, limpiar o realizar alguna tarea en la máquina.
- Al inspeccionar si la máquina presenta daños tras golpear un objeto extraño.
- Si la máquina empieza a vibrar de forma anormal y desea realizar una comprobación inmediata.
- ◆ Podría producirse un accidente si el producto arranca de forma inesperada.

Apague inmediatamente la unidad si algo no va como debiera

- Apague inmediatamente la unidad si el producto comienza a emitir sonidos extraños o a vibrar de forma anormal. El producto no puede utilizarse si presenta vibraciones o sonidos anormales. Póngase en contacto con su DISTRIBUIDOR DE ECHO para proceder a su reparación.
- ◆ El uso continuado de las piezas cuando estén dañadas puede provocar un accidente o una lesión grave.

Apague la unidad cuando compruebe o realice el mantenimiento del producto

Cuando compruebe o realice el mantenimiento del producto después del uso, tenga en cuenta las siguientes precauciones:

- Desconecte la unidad, extraiga la batería y asegúrese de que todas las piezas móviles se hayan detenido por completo.
- ◆ Podría producirse un accidente si el producto arranca de forma inesperada.
- Deje que la unidad se enfríe antes de realizar el mantenimiento.
- ◆ Podría quemarse.

Para una utilización segura del producto

Ropa de protección

ADVERTENCIA

Póngase indumentaria de protección

○ Vista prendas de trabajo adecuadas e indumentaria de protección cuando trabaje con la sopladora. Sobre todo, no olvide utilizar gafas de seguridad y una máscara anti-polvo siempre que esté trabajando.

◆ Sin la indumentaria de protección, podría inhalar los escombros o el polvo soplado o estos podrían introducirse en los ojos, lo que podría provocar un accidente o lesión.

a Gafas de seguridad: Protegen los ojos

b Mascarilla para el polvo: Protección respiratoria

c Guantes de seguridad: Protegen las manos del frío y la vibración

d Ropa apropiada para labores de corte (mangas y pantalones largos): Protege el cuerpo

e Zapatos o botas recias: Protegen los pies

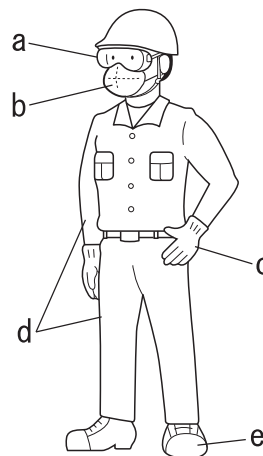
◆ Si no tiene en cuenta estas precauciones, podrían derivarse daños en la visión o en la audición o dar lugar a una lesión grave.

En caso necesario, utilice la ropa de protección descrita a continuación.

○ **Protección para la cabeza (casco):** Protege la cabeza

○ **Orejas o tapones para los oídos:** Protección auditiva

○ **Red para abejas:** Protección contra insectos



Utilice indumentaria adecuada

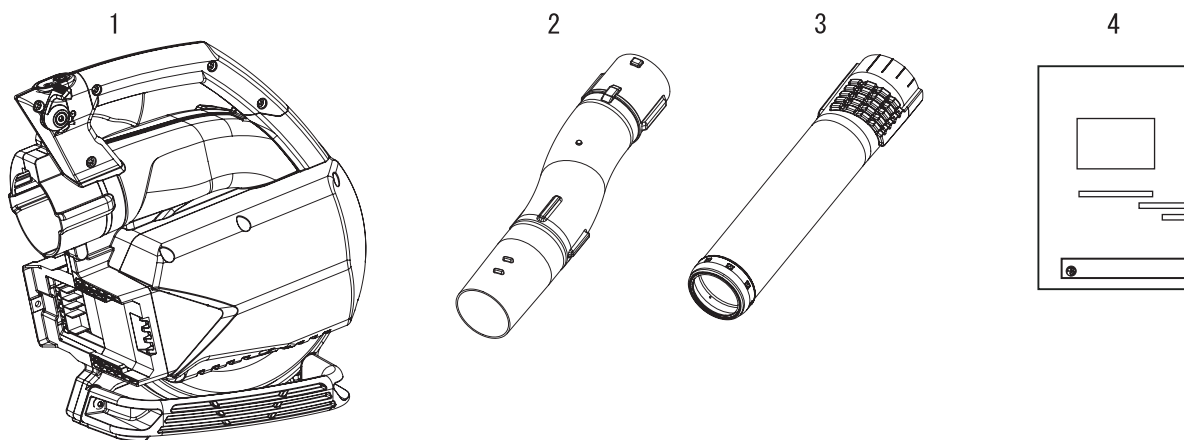
No utilice corbatas, joyería ni ropa floja o colgante que pueda quedar atrapada en la unidad. No utilice calzado con la puntera abierta ni vaya descalzo o sin perneras.

◆ No seguir estas precauciones podría provocar accidentes o causar lesiones graves.

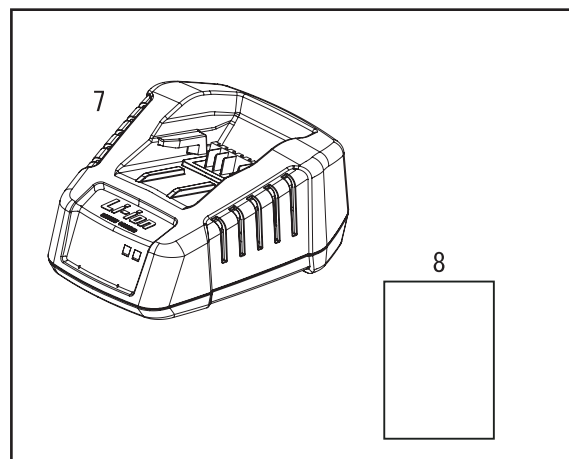
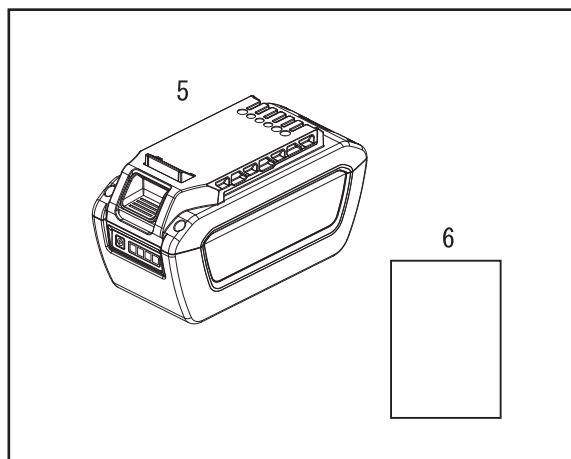


Lista de piezas

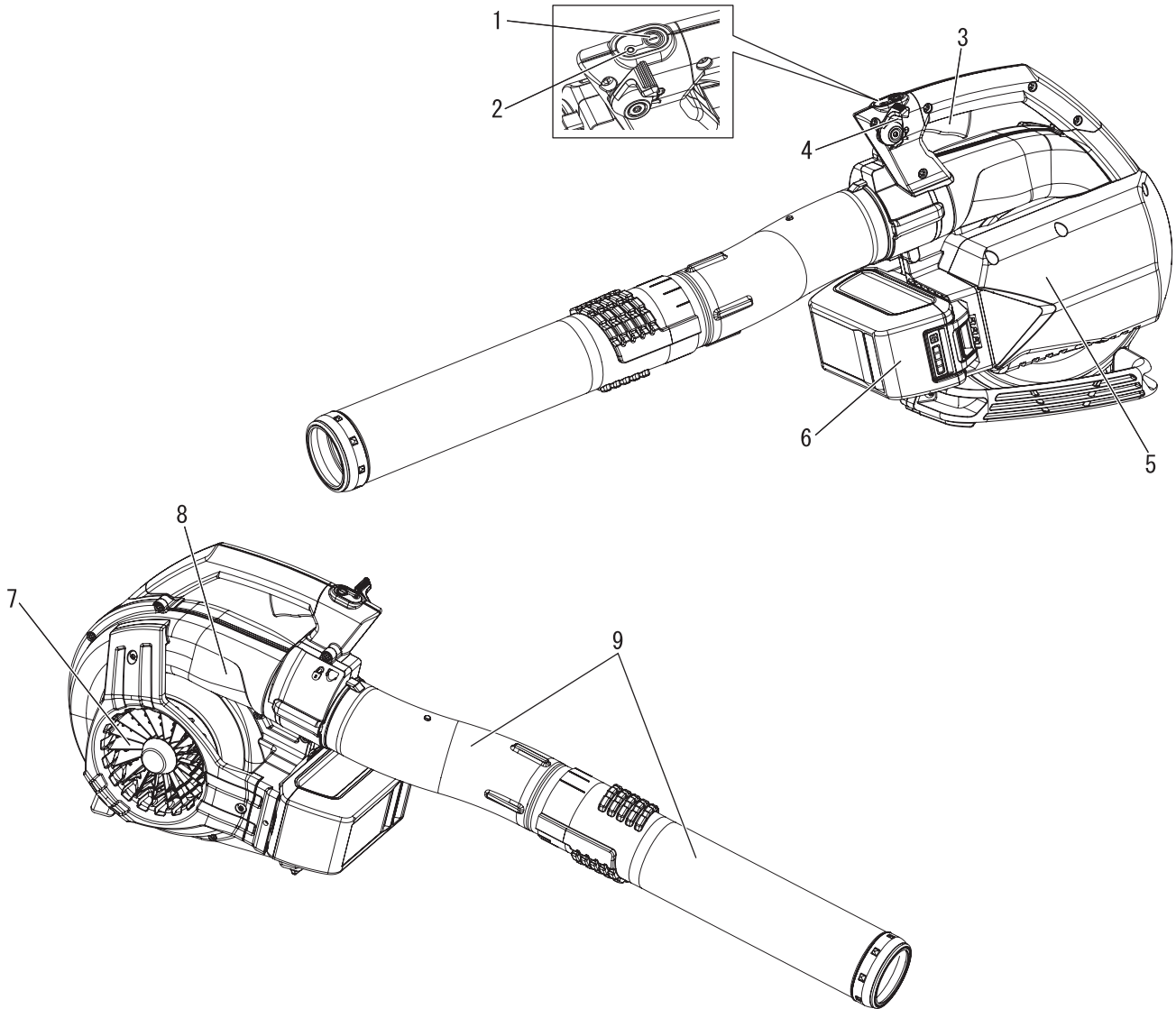
- ♦ En la caja de embalaje están empaquetadas de forma separada las siguientes piezas.
- ♦ Cuando haya desempaquetado la caja, compruebe que contenga las siguientes piezas.
- ♦ Póngase en contacto con su distribuidor si falta alguna o está rota.



Número	Nombre de pieza	Cantidad
(1)	Grupo propulsor	1
(2)	Tubo del soplador	1
(3)	Boquilla recta redonda	1
(4)	Manual de instrucciones	1



Número	Nombre de pieza	Cantidad
(5)	Pack de baterías	1
(6)	Manual de instrucciones	1
(7)	Cargador	1
(8)	Manual de instrucciones	1



1. **Botón de encendido** Púselo una vez para encender la unidad; el indicador LED de alimentación se ilumina. Púselo una vez más para detener la unidad; el indicador LED de alimentación se apaga.
2. **Indicador LED de alimentación** Permanece iluminado cuando la alimentación de la unidad está encendida. Se apaga cuando lo hace la alimentación.
3. **Interruptor de gatillo** Se acciona con el dedo y sirve para encender el motor.
4. **Palanca de control de cruceo** Tire para aumentar la velocidad de la sopladora.
5. **Motor**

6. **Pack de baterías**
7. **Cubierta del alojamiento** Cubre la zona del ventilador de la sopladora.
8. **Etiqueta con el número de serie** En ella figura el número de modelo y el número de serie de la unidad.
9. **Tabos de la sopladora** Sistema de bloqueo positivo exclusivo.

Antes de comenzar

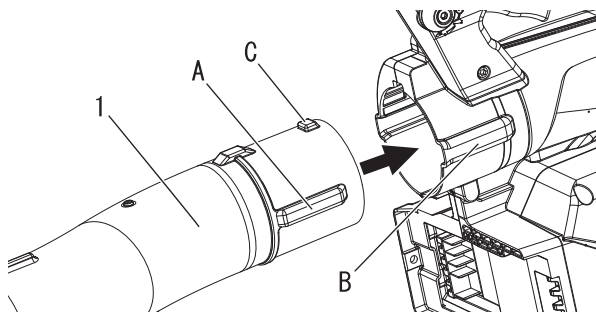
Montaje

ADVERTENCIA

- Lea atentamente el manual de instrucciones para asegurarse de que monta correctamente el producto.
- No realice tareas de mantenimiento ni de montaje con la unidad en marcha.
- ◆ La utilización de un producto que se haya montado incorrectamente puede ocasionar un accidente o una lesión grave.

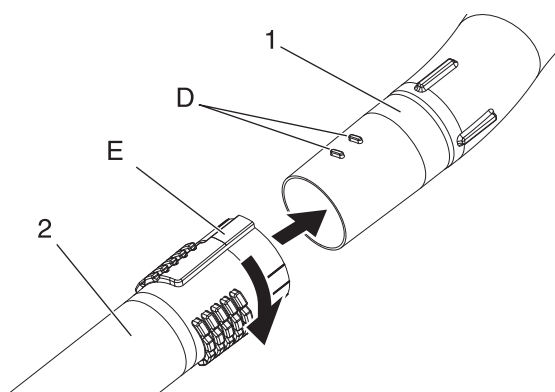


Montaje de los tubos del soplador



1. Tubo del soplador

1. Coloque la unidad en vertical sobre la base del soplador.
2. Alinee los salientes de bloqueo (A) del tubo del soplador con las muescas (B) de la carcasa del ventilador. Asegúrese de que el saliente de bloqueo corto (C) esté orientado hacia arriba. Deslice el tubo del soplador dentro de la carcasa del ventilador hasta que se oiga un clic.



1. Tubo del soplador

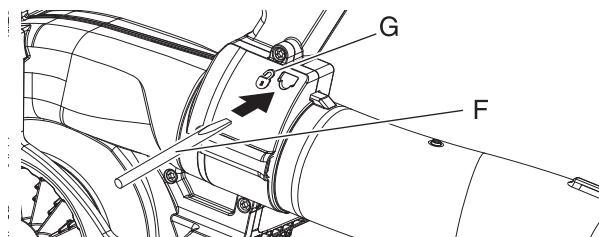
2. Boquilla recta redonda

3. Alinee las lengüetas (D) con las ranuras (E) y deslice la boquilla recta redonda por encima del tubo del soplador hasta que se note una cierta resistencia. No fuerce la conexión.
4. Sujete el tubo del soplador y gire la boquilla recta redonda en sentido de las agujas del reloj, enganchando los canales de bloqueo positivo, hasta que la conexión sea firme. No fuerce la conexión.

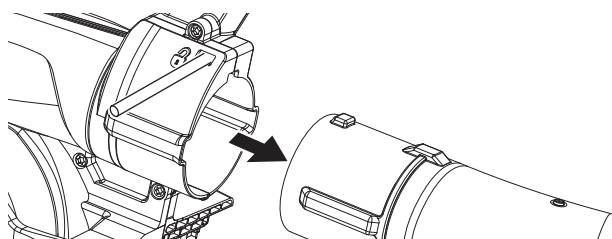
NOTA

Con el uso, las conexiones de los tubos de la sopladora se irán aflojando. El exclusivo sistema de bloqueo positivo permite apretar los tubos. Si se produce un aflojamiento, extraiga la boquilla recta redonda y vuelva a montarla siguiendo los pasos 3 y 4 de las instrucciones.

Retire los tubos del soplador



1. Introduzca el destornillador (F) en el orificio situado cerca del símbolo de bloqueo (G) para soltar el bloqueo del tubo.



2. Extraiga los tubos de la carcasa del ventilador.
3. Retire el destornillador.

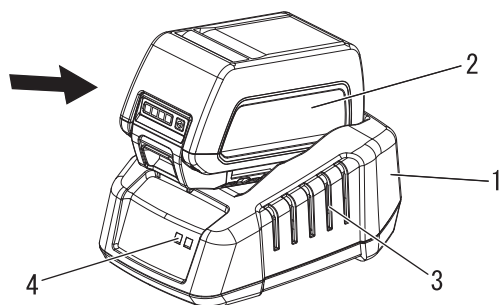
Carga de la batería

⚠ ADVERTENCIA

- Utilice siempre los packs de baterías LBP-560-100/LBP-560-200 y cárguelos sólo con el cargador LCJQ-560.
- Mantenga el cargador y las baterías alejados de la humedad y de todos los líquidos.
- No utilice el cargador en superficies fácilmente combustibles (por ejemplo, papel, textiles) o en entornos combustibles con alto riesgo de incendio.
- No cubra el cargador. Si lo hace, impedirá que se refrigere.
- No utilice el cargador en atmósferas explosivas, como en las que se encuentran líquidos inflamables, gases o polvo. Los cargadores pueden generar chispas que podrían encender el polvo o los gases - existe riesgo de explosión.
- Conecte el cargador sólo a la tensión y frecuencia especificadas en la placa de características.
- Conecte el cargador sólo a una toma de pared de fácil acceso.
- No introduzca objetos en las ranuras de refrigeración del pack de baterías o el cargador.
- No cargue o use un pack de baterías y cargador defectuosos, dañados o deformados.
- No abra, dañe o deje caer el pack de baterías o el cargador.
- Si se daña o no se utiliza correctamente, pueden producirse fugas de líquido de la batería; evite el contacto con la piel. Si se produce contacto accidental, lave las áreas afectadas de la piel con agua abundante y jabón. Si el líquido entra en contacto con los ojos, no se frote. Lave los ojos con agua abundante durante un mínimo de 15 minutos. Asimismo, solicite asistencia médica.
- No puentee (cortocircuite) los contactos del pack de baterías o los terminales del cargador con objetos metálicos.
- Protéjalo de la luz solar directa, el calor y llamas abiertas y no arroje la batería al fuego; existe riesgo de explosión.
- Si observa humo o fuego en el cargador, desconéctelo de la red inmediatamente.
- Si el cable de conexión está dañado, desenchúfelo inmediatamente de la toma de alimentación para evitar el riesgo de descargas eléctricas.
- No exponga el pack de baterías a microondas o altas presiones.
- Asegúrese de que la unidad no se encienda de forma accidental. Retire el pack de baterías antes de transportar o guardar la unidad. No utilice recipientes metálicos para el transporte de baterías.
- Para reducir el riesgo de tropezar, coloque y marque el cable de conexión de forma que otros no puedan dañarlo ni correr peligro con él.

NOTA

- La batería se suministra de fábrica parcialmente cargada y debe cargarse completamente antes de su primer uso.
- Cargue la batería cuando deje de producir energía suficiente para accionar la unidad o cuando las luces de la batería indiquen que su carga es baja.



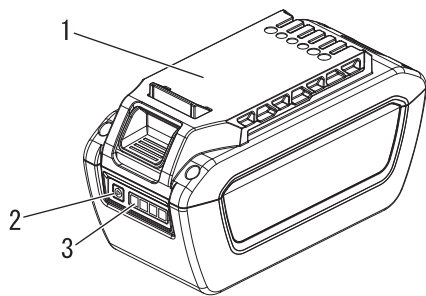
- 1. Cargador
- 2. Batería
- 3. Ranuras de refrigeración
- 4. LED del cargador

1. Enchufe el cable de CA del cargador en la toma de pared.
2. Alinee los canales de la batería con las muescas del cargador y deslice la batería dentro de éste.
3. Durante la carga normal, el LED del cargador parpadeará continuamente de color VERDE.

IMPORTANTE

- Si el cargador detecta un problema el LED parpadea de color ROJO. Extraiga la batería del cargador, limpie las obstrucciones de los contactos y vuelva a colocar la batería en el cargador. Si temperatura de la batería está fuera de los límites aceptables (de 0°C a 60°C), el LED permanece de color ROJO.

Antes de comenzar



- 1. Batería
- 2. Botón de estado de carga de la batería
- 3. Pantalla LED

4. Cuando la carga se completa, el LED permanece de color VERDE.
 - * Un pack de baterías descargado completamente se cargará en, aproximadamente, 42 minutos. (LBP-560-100)
 - * Un pack de baterías descargado completamente se cargará en, aproximadamente, 88 minutos. (LBP-560-200)
5. Verifique que la batería esté totalmente cargada antes de extraerla del cargador pulsando el botón de estado de carga de la batería y comprobando la pantalla LED.
 - ♦ Una luz verde indica que la batería tiene un 0-25% de carga.
 - ♦ Dos luces verdes indican que la batería tiene un 25-50% de carga.
 - ♦ Tres luces verdes indican que la batería tiene un 50-75% de carga.
 - ♦ Cuatro luces verdes indican que la batería tiene un 75-100% de carga.
6. Desconectar el cargador de la batería de la toma de corriente.

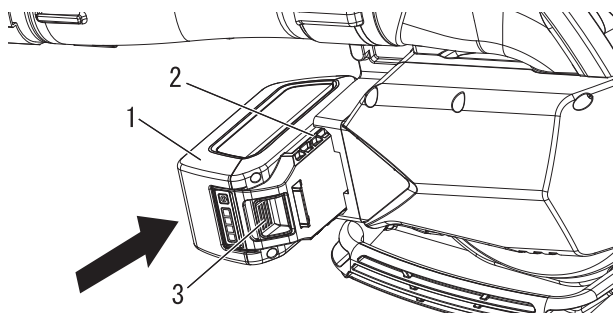
Coloque y retirada de la batería

ADVERTENCIA

- La sopladora funcionará cuando la batería esté instalada y el indicador LED de alimentación esté encendido. Asegúrese de que la sopladora está colocada correctamente para impedir la pérdida de control y posibles lesiones graves.

NOTA

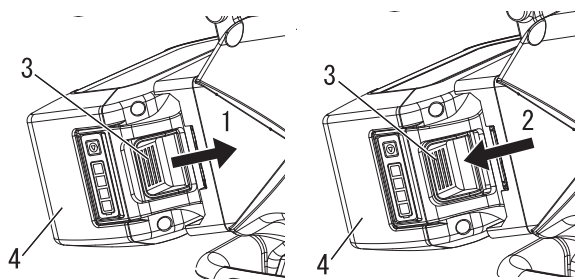
- ♦ La batería se suministra de fábrica parcialmente cargada y debe cargarse completamente antes de su primer uso.



- 1. Batería
- 2. Canal
- 3. Pestillo del pack de baterías

Colocación de la batería

1. Suelte el interruptor de gatillo y mueva la palanca de control de crucero completamente hacia delante hasta la posición de parada.
2. Asegúrese de que la alimentación de la unidad esté apagada.
3. Alinee los canales de la batería con la ranura de la sopladora e inserte la batería hasta que el pestillo del pack de baterías se coloque en su posición y se oiga un clic.



- 1. Posición completa
- 2. Posición incompleta
- 3. Pestillo del pack de baterías
- 4. Pack de baterías

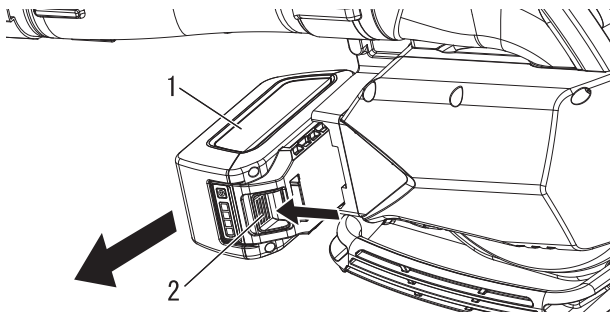
IMPORTANTE

Antes de utilizar la sopladora, asegúrese de que la batería está colocada correctamente con el pestillo del pack de baterías en su posición.

NOTA

- ♦ El pack de baterías está en su posición cuando el pestillo del pack de baterías está correctamente enganchado.

Antes de comenzar



1. Batería

2. Pestillo del pack de baterías

Retirada de la batería

1. Para retirar la batería, presione el pestillo del pack de baterías y deslice la batería para extraerla de la sopladora.

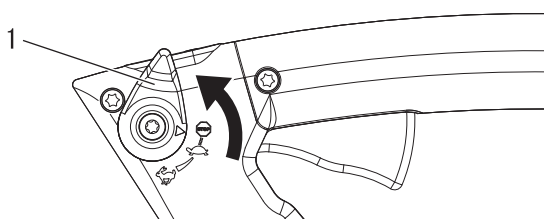
Encendido y detención

Encendido de la unidad

ADVERTENCIA

○ Cuando encienda la unidad, tenga en cuenta las precauciones descritas en la página 4 , sección "Para una utilización segura del producto", para garantizar que utiliza el producto correctamente.

◆ Si no tiene en cuenta estas precauciones podría sufrir un accidente o lesión o incluso dar lugar a un accidente mortal.



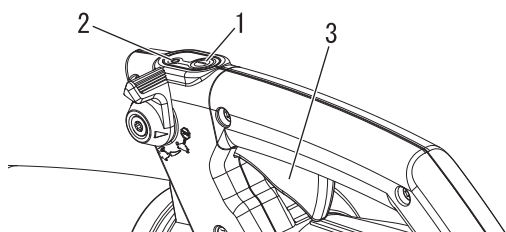
1. Palanca de control de crucero

1. Mueva la palanca de control de crucero completamente hacia delante hasta la posición de parada.
2. Pulse una vez el botón de encendido para activar la alimentación de la unidad.

NOTA

◆ El indicador LED de alimentación se ilumina cuando la alimentación de la unidad está encendida.

3. Pulse el interruptor de gatillo para aumentar la velocidad de la sopladora.



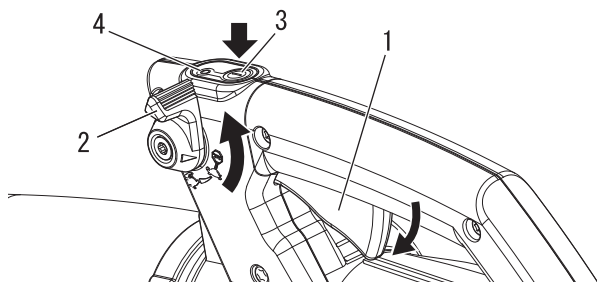
1. Botón de encendido
2. Indicador LED de alimentación
3. Interruptor de gatillo

IMPORTANTE

Cuando se enciende la unidad:

- ◆ Después de un minuto de inactividad, la unidad se apagará automáticamente.
- ◆ Si el LED continua encendido, el funcionamiento es normal.
- ◆ Si el LED parpadea una vez por segundo, es necesario cargar la batería.
- ◆ Si el LED parpadea cuatro veces por segundo, el producto tiene una avería. Apague la unidad. Extraiga la batería. Limpie la suciedad del ventilador. Instale la batería. Encienda la unidad. Si continúa parpadeando, solicite la reparación del producto a su distribuidor de servicio autorizado.

Detención de la unidad



1. Interruptor de gatillo
2. Palanca de control de crucero
3. Botón de encendido
4. Indicador LED de alimentación

1. Palanca de control de crucero
Suelte el interruptor de gatillo, mueva la palanca de control de crucero completamente hacia delante (posición de parada) y deje que la sopladora se detenga.
2. Pulse el botón de encendido para desactivar la alimentación de la unidad.

NOTA

◆ El indicador LED de alimentación se apaga cuando la alimentación de la unidad está apagada.

- * Si el botón de encendido no detiene la sopladora, extraiga la batería para detener el suministro de alimentación. Antes de volver a utilizar la sopladora ECHO, haga que su distribuidor de servicio autorizado repare el botón de encendido. Si la sopladora no se detiene al soltar el gatillo y la palanca de control de crucero está movida completamente hacia delante (posición de parada), extraiga la batería para detener el suministro de alimentación. Antes de volver a utilizar la unidad, haga que su distribuidor de servicio autorizado ECHO la repare.

Puesta en marcha del soplador

ADVERTENCIA

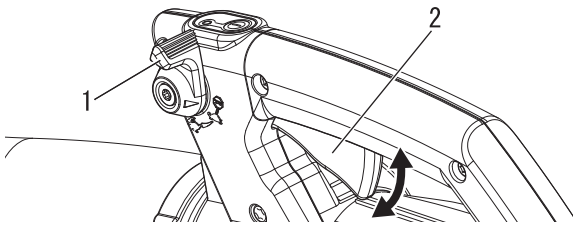
Lleve siempre gafas de seguridad y tome todas las medidas de precaución necesarias para evitar que se produzcan lesiones graves. No oriente el tubo del soplador hacia personas o animales.

IMPORTANTE

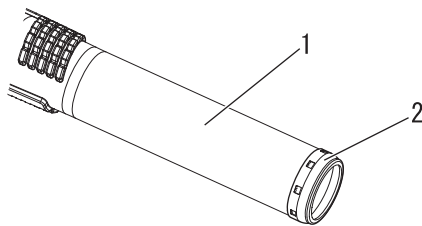
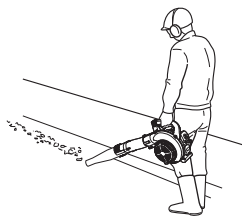
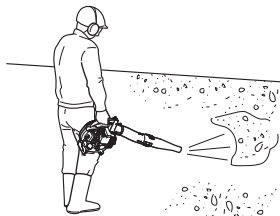
Para evitar que el motor se dañe, no bloquee la abertura del tubo de la sopladora. Nunca ponga en marcha la sopladora sin los tubos.

NOTA

No utilice nunca una velocidad superior a la necesaria para realizar la tarea. Recuerde, cuanto mayor sea la velocidad, mayor será el ruido emitido por la sopladora. Reduzca la presencia de polvo utilizando la sopladora a velocidades bajas. Deje los escobros en su propiedad. Sea respetuoso.



1. Palanca de control de crucero 2. Interruptor de gatillo



1. Tubo recto 2. Anillo de metal de protección

♦ Lea detenidamente la Sección de seguridad.

1. Utilice el aparato en un horario adecuado.
2. Controle la velocidad de la sopladora con el interruptor de gatillo, o para un uso continuado, ajuste la velocidad de la sopladora con la palanca de control de crucero. Gire la palanca de control de crucero hacia delante para lograr una velocidad menor y hacia atrás para velocidades mayores.
3. Utilice velocidad baja para soplar hierba y hojas secas de caminos, patios y senderos.
4. Puede que sea necesario aumentar la velocidad para retirar hojas de un césped o un parterre.
5. Quizá sea necesaria una velocidad mayor para eliminar grava, suciedad, nieve, botellas o latas de un camino, calle, aparcamiento o estadio.
6. Cuando trabaje cerca de una casa, no sople el aire hacia las ventanas abiertas. La suciedad podría introducirse en la vivienda.
7. Deshaga o desmenuce la suciedad con un rastrillo para poder moverla con mayor facilidad.
8. Para reducir la suciedad en el aire, humedezca las áreas con polvo antes de mover la suciedad.
9. Detenga siempre la unidad siguiendo el procedimiento de parada.

PRECAUCIÓN

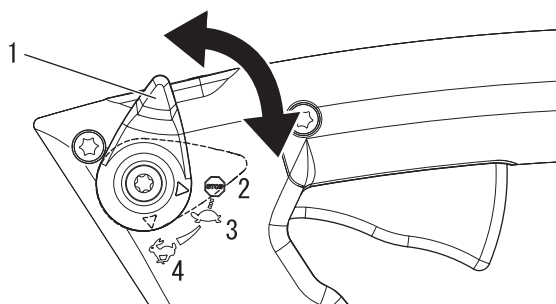
El contacto del extremo del tubo recto con superficies abrasivas puede crear bordes afilados y causarle lesiones si los toca. No raspe o arrastre el extremo del tubo recto durante el uso o transporte de la unidad. Sustituya el conjunto del tubo recto si se desgasta, se agrieta o se deforma el anillo metálico de protección.

Funcionamiento

Control de crucero

⚠ ADVERTENCIA

Antes de conectar un pack de baterías a la sopladora, mueva siempre la palanca de control de crucero completamente hacia delante hasta la posición de parada. Si no se asegura de que está en la posición de parada, podría ocasionarse un arranque accidental de la sopladora y provocar lesiones graves. No bloquee el gatillo del acelerador en casos en los que necesite parar repentinamente la sopladora.



1. Palanca de control de crucero
2. Posición de parada
3. Velocidad lenta
4. Velocidad rápida

1. Mueva la palanca de control de crucero hacia la parte trasera de la sopladora para seleccionar la posición de PARADA, VELOCIDAD LENTA o VELOCIDAD RÁPIDA.
2. La sopladora seguirá funcionando a la velocidad seleccionada.
3. Para detener la sopladora, mueva la palanca de control de crucero completamente hacia delante (posición de parada).

NOTA

Si la función de control de crucero se acciona durante el uso y se ha retirado el pack de baterías de la herramienta, desactive la función de control de crucero inmediatamente.

Mantenimiento y cuidados

Directivas de asistencia

Área	Mantenimiento	Página	Antes de usar	Mensual
Batería	Inspeccionar / limpiar / cargar	21	•	
Cubierta del alojamiento	Inspeccionar / Limpiar	21	•	
Tornillos, pernos y tuercas	Inspeccionar / apretar / sustituir	-	•	

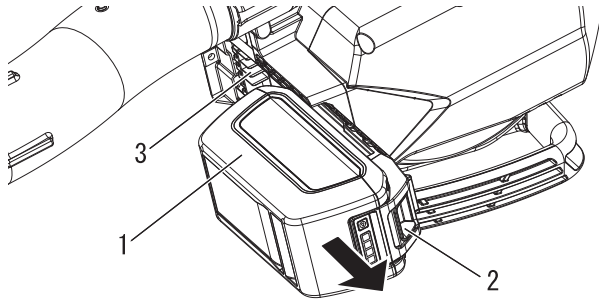
IMPORTANTE

Los intervalos de tiempo son los máximos. El uso real y su experiencia determinarán la frecuencia del mantenimiento necesario.

Mantenimiento y cuidados

Si tiene cualquier pregunta o problema, póngase en contacto con su DISTRIBUIDOR ECHO.

Limpeza de la batería y de su compartimento



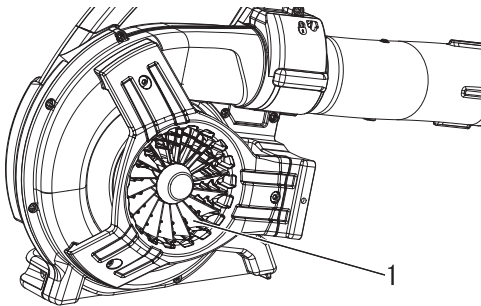
1. Batería
2. Pestillo del pack de baterías
3. Compartimento de la batería

⚠ ADVERTENCIA

○ **Riesgo de descargas eléctricas o fuego. No utilice materiales conductores para limpiar la batería ni su compartimento.**

1. Suelte el interruptor de gatillo, mueva la palanca de control de crucero completamente hacia delante (posición de parada) y deje que la sopladora se apague.
2. Asegúrese de que el indicador LED de alimentación no está encendido.
3. Presione el pestillo del pack de baterías y deslice la batería para extraerla de la sopladora.
4. Utilice aire comprimido o un cepillo de cerdas suaves para eliminar la suciedad de la batería y de su compartimento.

Limpeza de la cubierta del alojamiento



1. Cubierta del alojamiento

Retire todo tipo de residuos, como las hojas que pudieran bloquear la cubierta del alojamiento.

IMPORTANTE

No retire la cubierta del alojamiento. Si fuera necesario, no dude en consultar a su distribuidor.

Mantenimiento y cuidados

Tabla de localización de averías

Problema	Causa	Solución
La luz roja del cargador parpadea o no se enciende	<ul style="list-style-type: none"> ♦ Enchufe no conectado a la toma ♦ El pack de baterías no se ha instalado correctamente ♦ Conexión obstruida ♦ Fallo en el cargador ♦ Fallo en el pack de baterías 	<ul style="list-style-type: none"> ♦ Enchufe el cargador ♦ Compruebe la instalación del pack de baterías ♦ Vuelva a instalar el pack de baterías después de eliminar las obstrucciones de la conexión ♦ Consulte a su distribuidor ECHO ♦ Consulte a su distribuidor ECHO
No se enciende la unidad	<ul style="list-style-type: none"> ♦ El pack de baterías no se ha instalado correctamente 	<ul style="list-style-type: none"> ♦ Compruebe la instalación del pack de baterías
La unidad no funciona cuando se enciende	<ul style="list-style-type: none"> ♦ Pack de baterías descargado ♦ Pack de baterías a temperatura fuera de los límites aceptables 	<ul style="list-style-type: none"> ♦ Cargue el pack de baterías ♦ Extraiga el pack de baterías y permita que se enfríe
El tiempo de funcionamiento es demasiado corto	<ul style="list-style-type: none"> ♦ Pack de baterías a temperatura fuera de los límites aceptables ♦ Componentes electrónicos de la unidad demasiado calientes ♦ Pack de baterías descargado 	<ul style="list-style-type: none"> ♦ Extraiga el pack de baterías y permita que se enfríe ♦ Apague la unidad y deje que se enfríe ♦ Cargue el pack de baterías
La unidad funciona, pero no sopla o el soplido es débil	<ul style="list-style-type: none"> ♦ Tubo de la sopladora obstruido ♦ Tubo de la sopladora flojo ♦ Tubo de la sopladora dañado ♦ Entrada de aire obstruida ♦ Fallo en el ventilador 	<ul style="list-style-type: none"> ♦ Desobstruya el tubo ♦ Apriete el tubo ♦ Sustituya el tubo ♦ Desobstruya la entrada de aire ♦ Consulte a su distribuidor ECHO
La unidad vibra excesivamente	<ul style="list-style-type: none"> ♦ Fallo de las piezas internas 	<ul style="list-style-type: none"> ♦ Consulte a su distribuidor ECHO

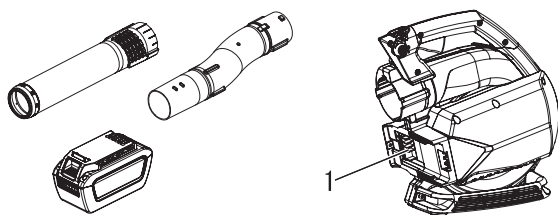
- ♦ Las comprobaciones y el mantenimiento requieren un conocimiento especializado. Si no puede comprobar y realizar el mantenimiento del producto o solventar un problema usted solo, consulte con su distribuidor ECHO. No intente desmontar el producto.
- ♦ Consulte con su distribuidor si se encuentra con un problema que no esté cubierto en la tabla anterior o para cualquier otra consulta.
- ♦ Para piezas de repuesto y consumibles, utilice solo piezas originales y los productos y componentes indicados. La utilización de piezas de otros fabricantes o de componentes no indicados pueden derivar en un fallo de funcionamiento.

Almacenamiento

ADVERTENCIA

No lo guarde en un lugar cerrado donde puedan acumularse gases combustibles.
Podría provocar un incendio.

Cuando almacene el producto durante largos periodos de tiempo, asegúrese de que se realicen los siguientes preparativos para el almacenamiento.



1. Compartimento de la batería

Sopladora recargable

No guarde su unidad sin realizar el mantenimiento de protección para almacenamiento, que incluye:

1. Apagar la unidad.
2. Extraer la batería de la sopladora.
3. Eliminar la acumulación de suciedad y desechos del exterior de la unidad.
4. Apretar todos los tornillos y tuercas.
5. Retirar los tubos de la unidad.
6. Cubrir el compartimento de la batería de la sopladora.
7. Guardar la unidad en un lugar seco y libre de polvo.

Batería

1. Extraer la batería de la sopladora.
2. Guardar en un lugar seco, libre de polvo y fuera del alcance de los niños.
3. Almacenar a temperaturas entre $-20\text{ }^{\circ}\text{C}$ ($-4\text{ }^{\circ}\text{F}$) y $60\text{ }^{\circ}\text{C}$ ($140\text{ }^{\circ}\text{F}$).
4. Si va a almacenar la batería durante más de un año, cárguela a aproximadamente un 40 - 60% de su capacidad.

Cargador de la batería

1. Extraer la batería del cargador.
2. Desconectar el cargador de la batería de la toma de corriente.
3. Guardar en un lugar seco y libre de polvo.

Mantenimiento y cuidados

Eliminación



- ♦ Las principales piezas de plástico que componen el producto llevan códigos que indican el material de que están hechas. Los códigos hacen referencia a los siguientes materiales; recicle dichas piezas de plástico según las normativas locales.

Marca	Material
>PA6-GF<	Nailon 6 - Fibra de vidrio
>PP-GF<	Polipropileno - Fibra de vidrio
>PE-HD<	Polietileno

- ♦ La batería contiene litio. Elimínela sólo en un punto de recogida autorizado.
- ♦ Las baterías de ion litio deben reciclarse o eliminarse correctamente.
- ♦ Póngase en contacto con su distribuidor ECHO si no sabe cómo debería deshacerse de las piezas de plástico o reciclarlas.

Características técnicas

		DPB-600
Peso:		
con los tubos de la sopladora, sin la batería	kg	3,2
con los tubos de la sopladora y la batería	kg	5,0
Medidas externas (sin tubos de la sopladora):		
Longitud	mm	353
Anchura	mm	187
Altura	mm	336
Volumen de aire:	m ³ /h	648
Velocidad máx. de aire:	m/s	72,5
Batería:		
Tipo		Ion-litio
Tensión del pack	V	56 (nominal 50,4)
Tipo de cargador		CCCV
Tensión de entrada del cargador	V	230 - 240 CA
Luces del cargador de la batería:		LED rojo - La temperatura de carga de la batería está fuera de los límites LED rojo parpadeando - Fallo LED verde - Fin de carga de la batería LED verde parpadeando - La batería está cargando normalmente
Tiempo de carga:		Batería LBP-560-100: aproximadamente 42 minutos. Batería LBP-560-200: aproximadamente 88 minutos.
Nivel de presión acústica: (EN 50636-2-100)	dB(A)	81,9
Nivel de potencia acústica: (EN 50636-2-100)	dB(A)	94
Incertidumbre	dB(A)	3
Niveles de vibración: (EN 50636-2-100)	m/s ²	0,7
Incertidumbre:K	m/s ²	1,5

Estas características técnicas están sujetas a cambios sin previo aviso.

- El valor total de vibración declarado ha sido medido de acuerdo con un método de prueba estándar y puede utilizarse para la comparación de herramientas entre sí.
- El valor total de vibración declarado puede también utilizarse en evaluaciones preliminares de exposición.

Declaración de conformidad

El fabricante abajo firmante:

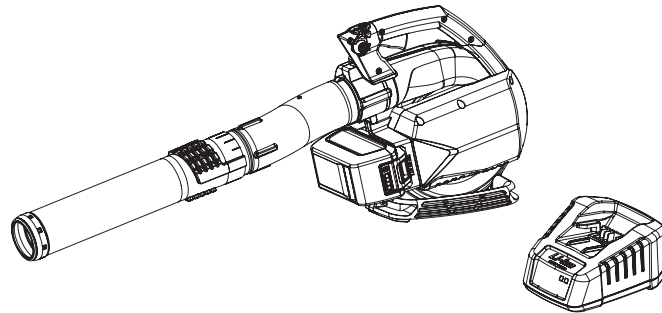
YAMABIKO CORPORATION
7-2 SUEHIROCHO 1-CHOME
OHME; TOKIO 198-8760
JAPÓN

Declaración de conformidad publicada bajo la exclusiva responsabilidad del fabricante.

Declara que la unidad nueva aquí especificada:

**SOPLADORA
CARGADOR DE BATERÍAS**

**Marca: ECHO
Tipo: DPB-600
LCJQ-560**



montado por:

ECHO, INCORPORATED
400 Oakwood Road
Lake Zurich, Illinois 60047-1564

EE.UU.

Cumple con:

- * Los requisitos de la directiva **2006/42/CE** (aplicación de la norma armonizada **EN 60335-1: 2012, EN 50636-2-100: 2014**)
- * Los requisitos de la directiva **2014/30/UE** (aplicación de la norma armonizada **EN 55014-1: 2006, EN 55014-2: 1997, EN 61000-3-2: 2006, y EN 61000-3-3: 2008**)
- * Los requisitos de la directiva **2014/35/UE** (aplicación de la norma armonizada **EN 60335-1: 2012, EN 60335-2-29: 2004, y EN 62233: 2008**)
- * Los requisitos de la directiva **2000/14/CE**
Procedimiento de valoración de conformidad según **ANEXO V**
- * Los requisitos de la directiva **2011/65/UE** (aplicación de la norma armonizada **EN 50581: 2012**)
Nivel de potencia acústica medido: **94 dB(A)**
Nivel de potencia acústica garantizado: **97 dB(A)**

DPB-600

Número de serie 35001001 y posteriores

LCJQ-560

Número de serie 35001001 y posteriores

Tokyo, 1 de julio de 2016

YAMABIKO CORPORATION

A handwritten signature in black ink, appearing to read "Masayuki Kimura".

Masayuki Kimura

**Director general
Departamento de Garantía
de Calidad**

**El representante autorizado en Europa que esta autorizado para
compilar el expediente técnico.**

Empresa: Atlantic Bridge Limited
Dirección: Atlantic House, PO Box 4800,
Earley, Reading RG5 4GB, Reino Unido

Sr. Philip Wicks

MEMORANDO

YAMABIKO CORPORATION

7-2 SUEHIROCHO 1-CHOME, OHME, TOKIO 198-8760, JAPÓN
TELÉFONO: 81-428-32-6118. FAX: 81-428-32-6145.



X750-027 39 0

X750 821-010 1

YAMABIKO CORPORATION

7-2 SUEHIROCHO 1-CHOME, OHME, TOKYO 198-8760, JAPAN

PHONE: 81-428-32-6118. FAX: 81-428-32-6145.



X750-027 39 0

X750 821-010 1