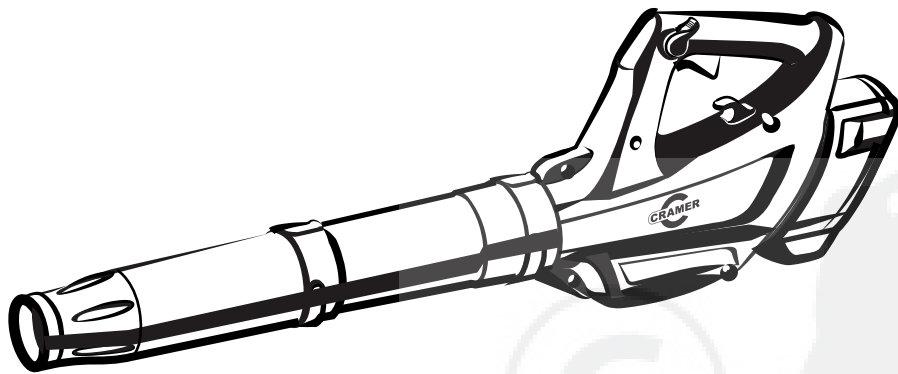
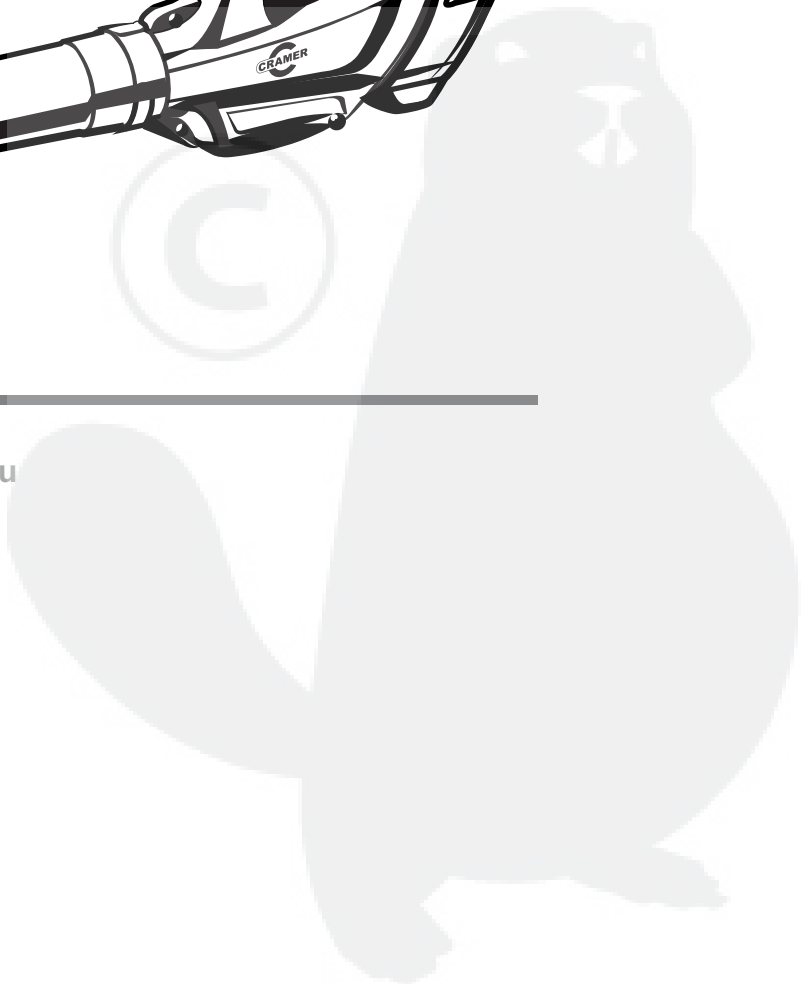


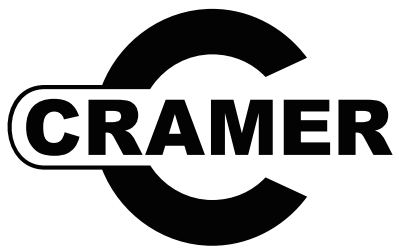


2400286 (82B1000)



cramer.eu





82B1000
2400286

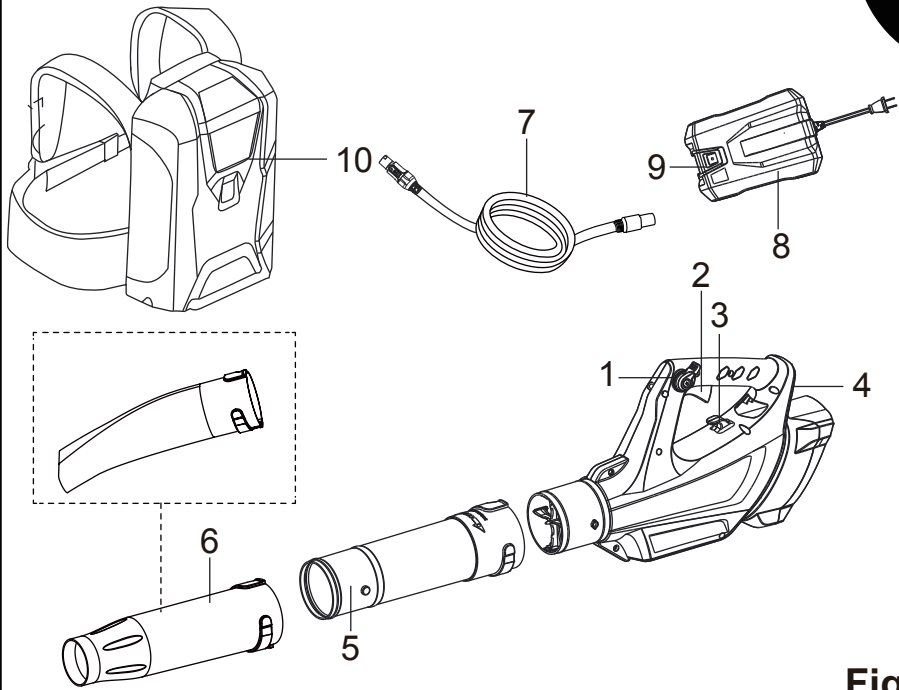


Fig.1

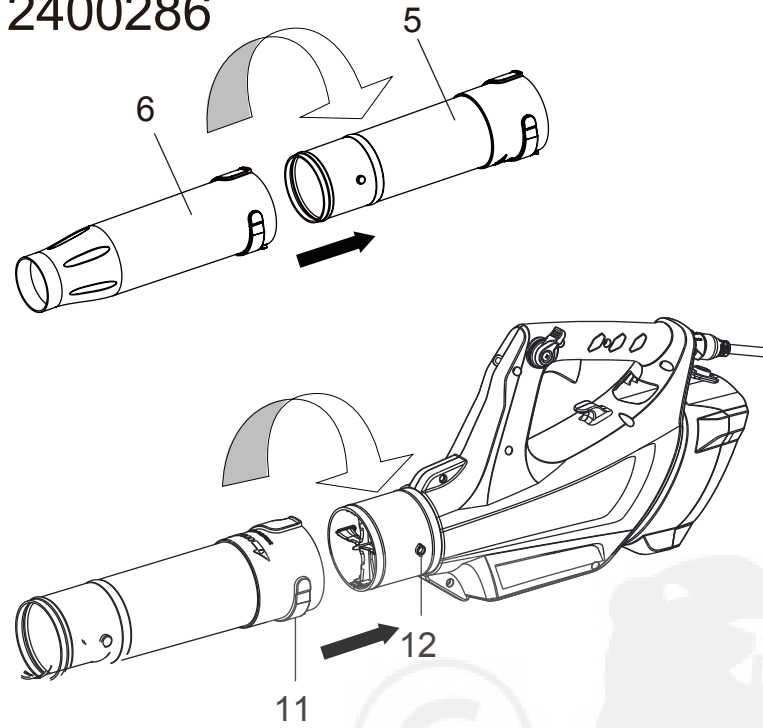


Fig.2

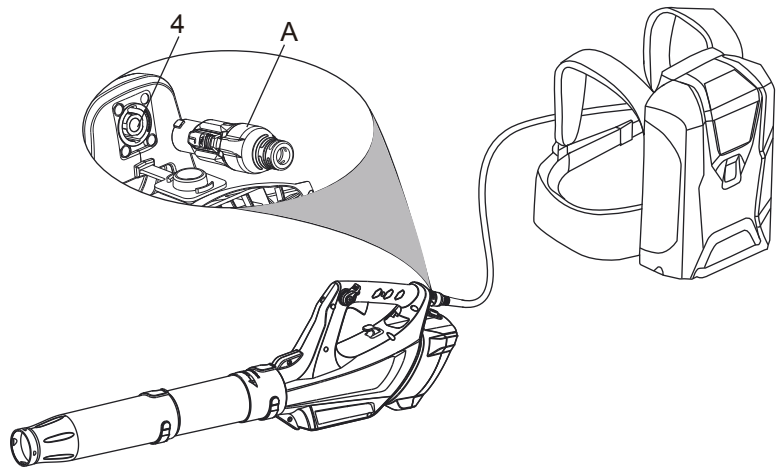


Fig.3

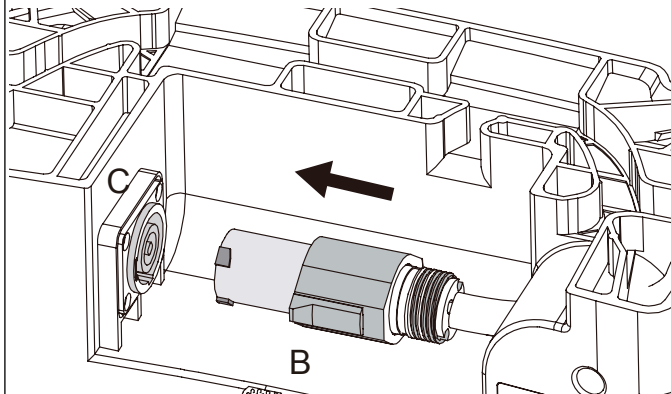


Fig.4

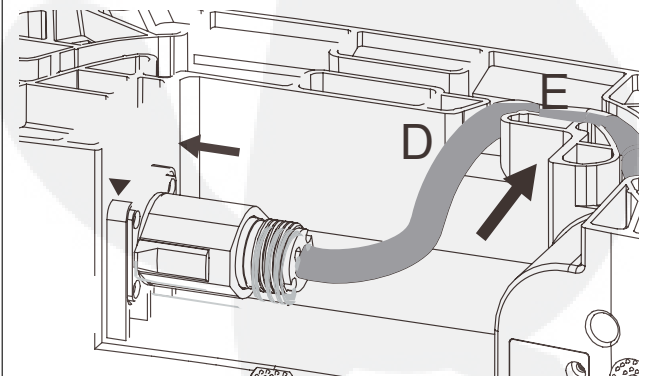


Fig.5

CRAMER

82B1000
2400286

Fig.6

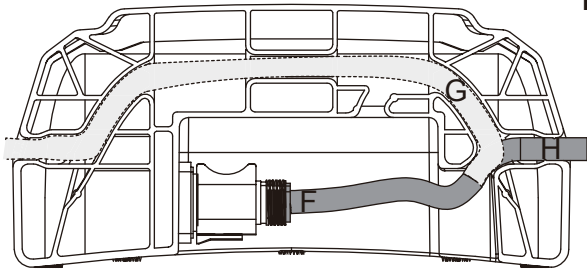


Fig.7

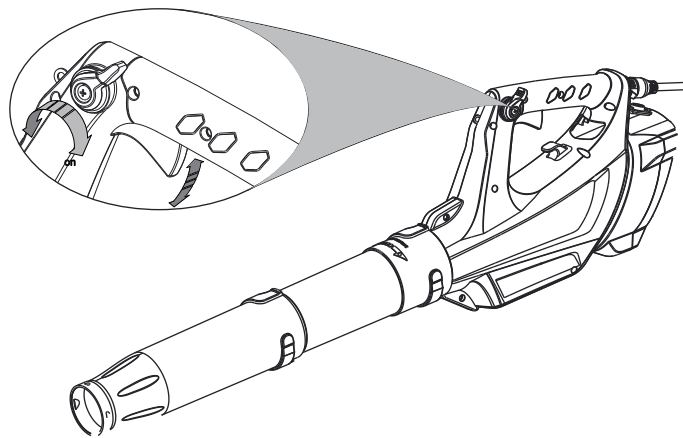
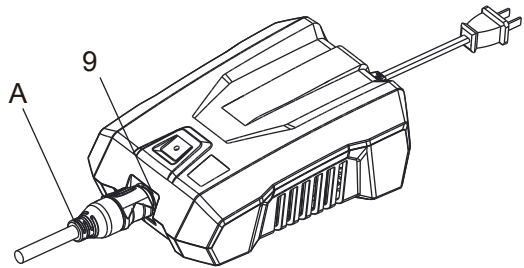


Fig.8

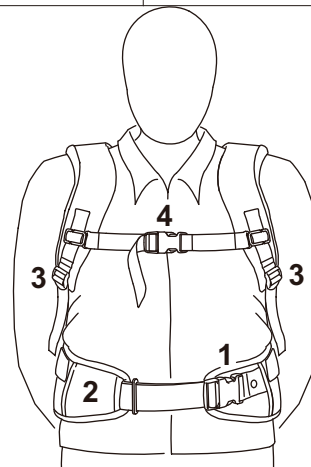
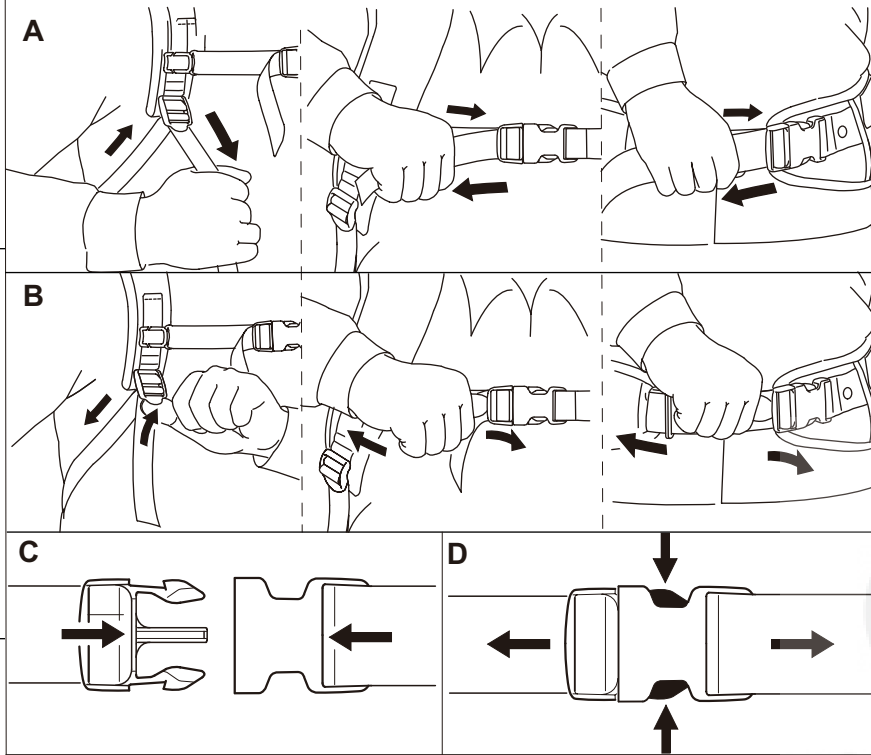



Fig.9



Fig.10

English (original instructions)

SPECIFICATIONS

Type	82B1000
Voltage	82V DC
AIR volume	16.9 m ³ /min
Air speed	240 KM/H
Weight (Without Battery)	2.1 kg
Battery Pack	82VH1000/ 82VH860
Charger	82C1G/82C2/82C6
Sound pressure level	88 dB(A), k:3.0 dB(A)
Sound power level	102 dB(A)
Vibration level	<2,5m/s ² , k=1.5m/s ²
Double-insulated construction	

DESCRIPTION

See Figure 1.

1. Cruise control lever
2. Trigger
3. Cord retainer
4. Socket
5. Front tube
6. Rear tube
7. Power cord
8. Backpack battery charger
9. Charger connector
10. Backpack battery

ASSEMBLY

UNPACKING

- Carefully remove the product and any accessories from the box.
- Inspect the product carefully to make sure no breakage or damage occurred during shipping.
- Do not discard the packing material until you have carefully inspected and satisfactorily operated the product.
- If any parts are damaged or missing, please call your Cramer service centre for assistance.

PACKING LIST

See Figure 1.

- BLOWER ASSEMBLY
- FRONT BLOWER TUBE (2)

- REAR BLOWER TUBE
- OPERATOR'S MANUAL

⚠ WARNING

Do not use this product if any parts on the Packing List are already assembled to your product when you unpack it. Parts on this list are not assembled to the product by the manufacturer and require customer installation. Use of a product that may have been improperly assembled could result in serious personal injury.

ASSEMBLING THE BLOWER TUBE

See Figure 2.

⚠ WARNING

Do not connect to power supply until assembly is complete. Failure to comply could result in accidental starting and possible serious personal injury.

- Connect the rear tube (5) to the front tube (6). Twist clockwise until the tubes lock into position.
- Align either of the grooves (11) in the tube with the tabs (12) on the blower housing. Push the tube into the blower housing until the tab engages the grooves.
- Turn the tube in the direction of the arrow until both of the tabs slide into the lock positions.

CONNECTING THE POWER CORD TO THE BLOWER

See Figure 3.

- Secure the power cord to the motor housing using the cord retainer. This prevents accidental removal of the electrical cord.
- Insert the power cord plug (A) in the socket (4) on the back of the blower.
- Push the plug into the socket and turn counterclockwise until the plug's latch is engaged and secure.

CONNECTING THE POWER CORD TO THE BACK-PACK BATTERY. See Figure 4-5.

- Insert the plug (B) in the socket (C) – line up the lugs on the plug with the slots in the socket.
- Once the end of the plug is inserted in to the socket, turn the plug clockwise until the latch is engaged and secure.
- Fit cable in the cable (D) duct and wind through the (E) housing – see also "Positioning the Cable".

POSITIONING THE CABLE See Figure 6.

The cable can be fitted in different cable ducts. If the power tool is being used with the battery, follow the instructions below:

- If using next to or behind your body, fit the cable (F) in the lateral cable ducts (G) or (H) depending on the tool that you are using and secure into place.

English (original instructions)

NOTE: Always use the cable outlet at the side in which the power tool is being held and controlled.

⚠ WARNING

To reduce the risk of accidents, never lay the cable diagonally – it may snag on objects.

CHARGING THE BACKPACK BATTERY

See Figure 7.

- Insert the power cord plug (A) in the socket (9) on the charger.
- Push the power cord plug into the socket and turn counterclockwise until the plug's latch is engaged and secure.
- Connecting the charger plug to the power supply.

⚠ WARNING

To prevent serious personal injury, make sure the unit is in the OFF position, it is unplugged, and the impellers have stopped before attaching or removing tubes.

⚠ WARNING

Do not attempt to modify this product or create accessories not recommended for use with this product. Any such alteration or modification is misuse, and could result in a hazardous condition, leading to possible serious personal injury.

HARNESS ADJUSTMENT See Figure 9.

A well adjusted backpack blower and harness makes work easier. Adjust the harness to give you the best working stance. Adjust the side straps so the weight is equally distributed across your shoulders.

- a. Once the blower is properly fitted on your back, pull the ends of the straps downward to tighten the harness.
- b. Lift the tabs of the adjusters to loosen the straps.
- c. Close and lock the quick-release fastener by pushing it together.
- d. Squeeze the hooks to open the quick-release fastener.

PUT ON THE SHOULDER STRAP

- Adjust the harness straps (1) to the correct length.
- Adjust chest strap (2) to correct length and fasten it together.

HARNESS REMOVAL

- Open the quick-release fasteners on the strap.

- Loosen the harness straps by lifting the sliding adjusters and then take off the blower.

⚠ WARNING

The backpack blower must be quickly removed in the event of imminent danger. The chest strap must be released before putting the backpack blower on the ground.

OPERATION

⚠ WARNING

Do not allow familiarity with this product to make you careless. Remember that a careless fraction of a second is sufficient to inflict serious injury.

⚠ WARNING

Always wear eye protection with side shields marked to comply with ANSI Z87.1, along with hearing protection. Failure to do so could result in objects being thrown into your eyes and other possible serious injuries.

⚠ WARNING

Do not use any attachments or accessories not recommended by the manufacturer of this product. The use of attachments or accessories not recommended can result in serious personal injury. Before each use, inspect the entire product for damaged, missing, or loose parts, such as screws, nuts, bolts, caps, etc. Tighten securely all fasteners and caps and do not operate this product until all missing or damaged parts are replaced.

STARTING /STOPPING THE BLOWER See Figure 8.

Before start-up, make sure that the blower is in perfect condition to guarantee safe operation.

- Squeeze the switch trigger to start.
- To change speed, press or release trigger by degrees to increase or decrease the speed.

⚠ WARNING

Always disconnect the product from the battery when you are assembling parts, making adjustments, cleaning, or when not in use. Removing battery pack will prevent accidental starting that could cause serious personal injury.

⚠ WARNING

English (original instructions)

To avoid serious personal injury, wear goggles or safety glasses at all times when operating this unit. Wear a face mask or dust mask in dusty locations.

⚠ WARNING

To prevent serious personal injury or damage to the unit, make sure the blower tube is in place before operating the unit.

CRUISE CONTROL LEVER See Figure 8.

This blower is equipped with a cruise control function. Please read and understand the function of the Cruise control lever.

- Squeeze the trigger to start the unit.
- Once the unit is on, pull the lever back clockwise to increase the speed. This will lock the speed at the desired setting.
- To decrease the speed, push the lever counter clockwise to decrease the speed to the desired setting.

NOTE: If you decrease the speed all the way, the unit will shut off and step one will need to be repeated.

HOLDING THE TOOL See Figure 10.

The operator should wear proper clothing, such as boots, safety glasses or goggles, ear/hearing protection, gloves, long pants and a long-sleeved shirt.

This backpack blower is designed to be operated with one hand.

Always walk slowly while working.

Always check the blowing nozzle outlet area.

⚠ WARNING

To avoid serious personal injury, do not wear loose-clothing or articles such as scarves, strings, chains, ties, etc., that could be drawn into the air vents. Tie back long hair to make sure it does not get drawn into the air vents.

OPERATING TIPS

- Ensure that the unit is not directed at anybody or any loose debris before starting the unit.
- Verify that the unit is in good working condition. Make sure the tubes and guards are in place and secure.
- To reduce the risk of hearing loss associated with sound level(s), hearing protection is required.
- Operate power equipment only at reasonable hours—not early in the morning or late at night when people might be disturbed. Comply with times listed in local ordinances. Usual recommendations are 9:00 am to 5:00 pm, Monday through Saturday.
- To reduce noise levels, limit the number of pieces of equipment used at any one time.
- To reduce noise levels, operate power blowers at the

lowest possible speed to do the job.

- Use rakes and brooms to loosen debris before blowing.
- Conserve water by using power blowers instead of hoses for many lawn and garden applications, including areas such as gutters, screens, patios, grills, porches, and gardens.
- Watch out for children, pets, open windows or freshly washed cars, and blow debris safely away.

AIR VENTS

Never cover air vents. Keep them free of obstructions and debris. They must always remain clear for proper motor cooling.

OPERATING THE BLOWER

Hold the blower firmly. Sweep from side to side with the nozzle several inches above the ground or floor. Slowly advance the unit, keeping the accumulated pile of debris in front of you. Most dry blowing operations are better suited to low speeds, rather than high speeds. High speed blowing is a better way to move heavier items like large debris or gravel.

MAINTENANCE

⚠ WARNING

In order to avoid personal injury and the risk of fire and electric shock, remove the battery pack before adjusting, inspecting, or cleaning the blower.

CLEANING

Unplug the machine.

- Brush or blow dust and debris out of the air vents using compressed air or a vacuum. Keep the air vents free of obstructions, sawdust, and wood chips. Do not spray, wash, or immerse the air vents in water.
- Wipe off the housing and the plastic components using a moist, soft cloth. Do not use strong solvents or detergents on the plastic housing or plastic components. Certain household cleaners may cause damage, and may cause a shock hazard.

⚠ WARNING

When servicing use only identical replacement parts. Use of any other parts may create a hazard or cause product damage.

Avoid using solvents when cleaning plastic parts. Most plastics are susceptible to damage from various types of commercial solvents and may be damaged by their use. Use clean cloths to remove dirt, dust, oil, grease, etc.

⚠ WARNING

English (original instructions)

Do not at any time let brake fluids, gasoline, petroleum based products, penetrating oils, etc. come in contact with plastic parts. They contain chemicals that can damage, weaken or destroy plastic.

STORING THE BLOWER

Clean the blower thoroughly before storing. Store the blower in a dry, well-ventilated place that is inaccessible to children. Keep away from corrosive agents such as garden chemicals and de-icing salts.

- Do not use solvents to clean the tool.
- Store the tool in a dry place, and out of reach of children.

POWER CORD MAINTENANCE

If the supply cord needs replacing, the task must be carried out by the manufacturer, the manufacturer's agent, or an authorised service centre in order to avoid a safety hazard.

TROUBLESHOOTING

PROBLEM	POSSIBLE CAUSE	SOLUTION
Unit will not start.	Battery is not secure.	Ensure the power cord plug is inserted into the socket tightly.
	Battery is not charged.	Charge the battery pack according to the instructions included with your battery.
	Defective power switch.	Have the defective parts replaced by an authorized service center.
The unit will start, but air will not flow through the tube.	The air inlet or tube outlet is blocked.	Clear the blockage.
Cruise Control Lever doesn't work.	The screw is loose.	Tighten the screw with a phillips head screwdriver.

