

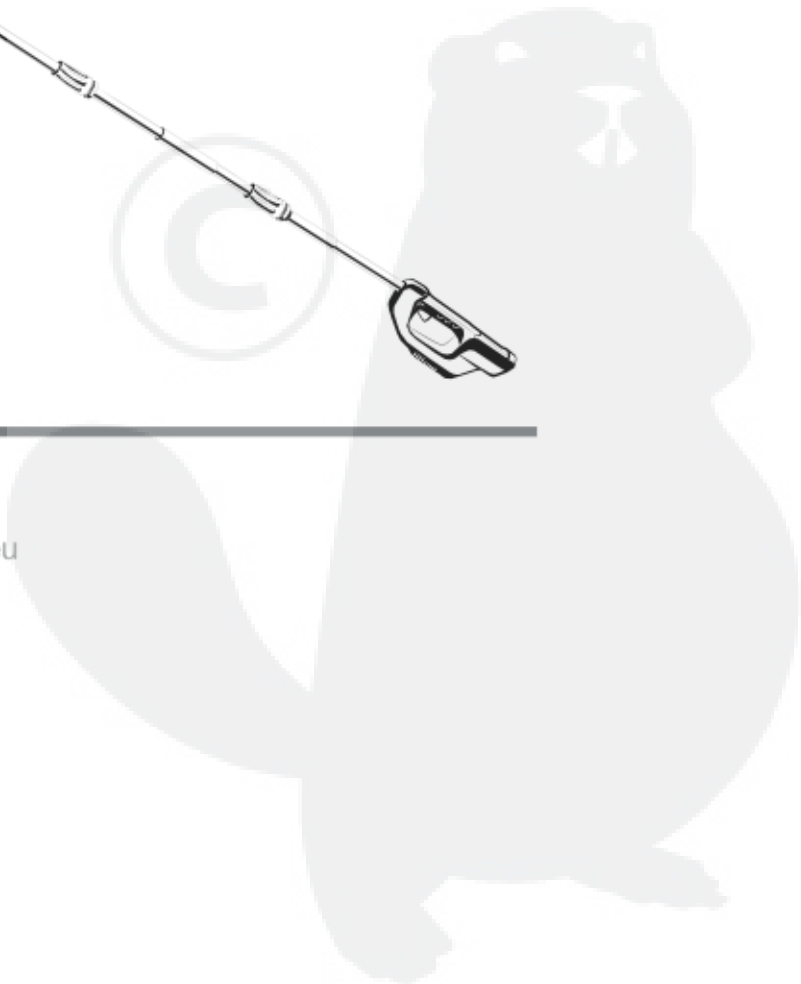


2300486 (40PHA)



CE

cramer.eu



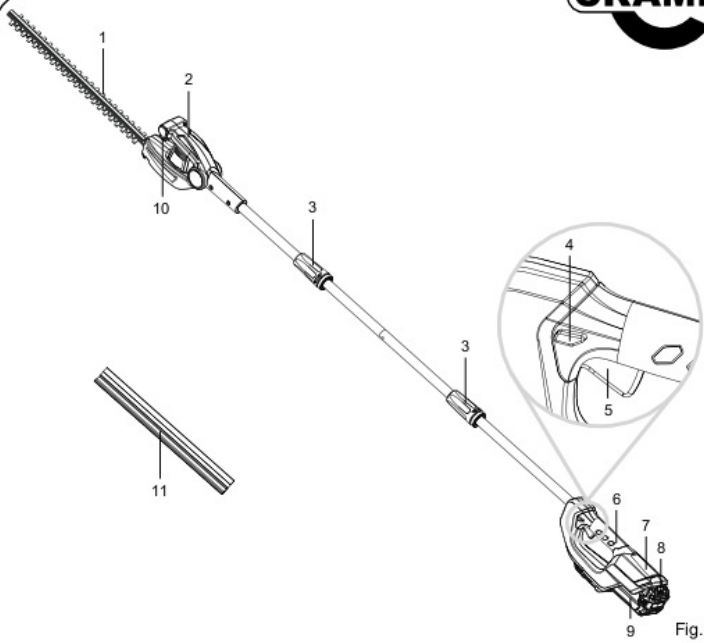


Fig.1

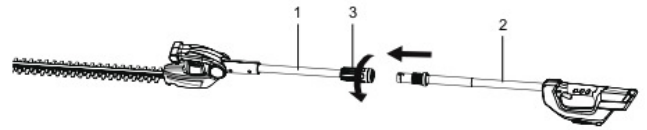


Fig.2

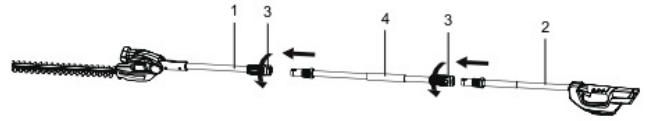


Fig.3

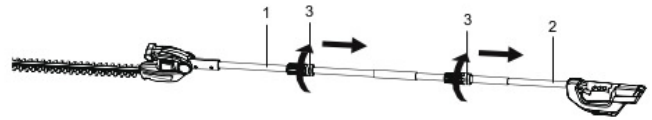


Fig.4

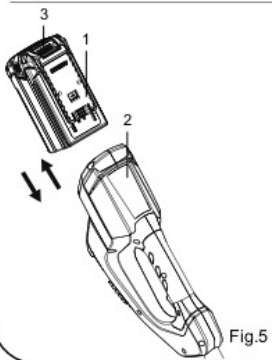


Fig.5

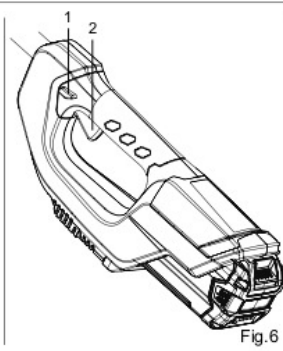


Fig.6

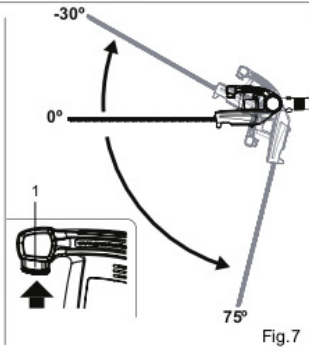


Fig.7

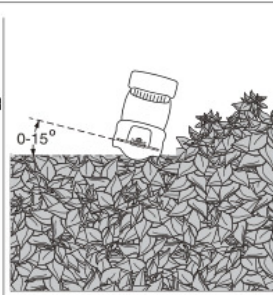


Fig.8

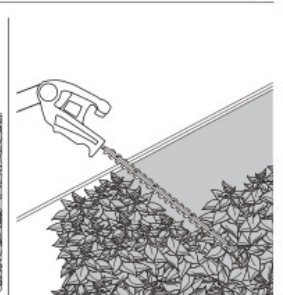


Fig.9



English (Original instructions)

SPECIFICATIONS

40PHA	
Voltage	40V $\overline{\text{---}}$
No load speed	3000 ($\pm 10\%$) min^{-1}
Blade speed	3000 ($\pm 10\%$) min^{-1}
Blade length	510 mm
Cutting capacity	18 mm
Measured sound pressure level	80 dB (A), $k=3.0$
Guaranteed sound power level	99 dB (A)
Vibration level	$<2.5 \text{ m/s}^2$, $k=1.5 \text{ m/s}^2$
Weight without battery pack	3.84 kg
Battery	40V110 / 40V220
Battery charger	40C120 / 40C60

DESCRIPTION

See figure 1.

1. Blade
2. Hedge Trimmer Head
3. Coupler
4. Safety Lock Button
5. On/Off Switch
6. Main Handle
7. Battery Compartment
8. Battery Release Button
9. Battery
10. Pivoting Button
11. Blade Cover

ASSEMBLY

UNPACKING

- This product requires assembly.
- Carefully remove the product and any accessories from the box. Make sure that all items listed in the packing list are included.
- Inspect the product carefully to make sure no breakage or damage occurred during shipping.
- Do not discard the packing material until you have carefully inspected and satisfactorily operated the product.

PACKING LIST

- Hedge Trimmer Head
- Extension Tube
- Handle Pole
- Blade Cover
- Operator's Manual

⚠ WARNING

Do not insert the battery until assembly is complete. Failure to comply could result in accidental starting and possible serious personal injury.

FITTING THE HEDGE TRIMMER HEAD

See figure 2.

The hedge trimmer head (1) can be mounted directly into handle pole (2) so as to achieve the standard length.

1. Insert the handle pole (2) into the hedge trimmer head (1).
2. Slide the collar (3) upwards and turn it clockwise until it is completely tightened.

EXTENSION OF POLE HEDGE TRIMMER

See figure 3.

The maximum reach can be achieved by fitting the extension tube (4) between the handle pole (2) and the hedge trimmer head (1).

- Slide the collars (3) up and rotate it clockwise until it is completely tightened.

⚠ WARNING

Periodically check the connections to ensure that they are tightened securely.

REMOVING THE HEDGE TRIMMER HEAD / HANDLE POLE

See figure 4.

- Rest pole hedge trimmer on the ground, loosen the coupler (3), then take off the trimmer head (1) / handle pole (2).

OPERATION

⚠ WARNING

Do not allow familiarity with this product to make you careless. Remember that a careless fraction of a second is sufficient to inflict serious injury.

English (Original instructions)

⚠ WARNING

Always wear safety goggles or safety glasses with side shields when operating power tools. Failure to do so could result in objects being thrown into your eyes, resulting in possible serious injury.

⚠ WARNING

Do not use any attachments or accessories not recommended by the manufacturer of this product. The use of attachments or accessories not recommended can result in serious personal injury.

INSERTING AND REMOVING THE BATTERY

See figure 5.

1. To insert the battery (1), line it up with the battery compartment (2) on the tool. Slide the battery into the battery compartment and push until the battery snaps into place.
2. To remove the battery, push the release button (3). This will cause the battery to raise out of the tool. Pull the battery out of the battery compartment.

TURNING THE TOOL ON AND OFF

⚠ WARNING

Let the tool work at its own pace. Do not overload.

Switching on

See figure 6.

1. Press the safety lock button (1) using your thumb and at the same time squeeze the on/off switch (2).
2. Release the safety lock button (1). Continue to squeeze the on/off switch for extended operation.

Switching off

See figure 6.

1. Release the on/off switch (2).
2. Upon release of the on/off switch (2), the safety lock button (1) will be automatically reset to the lock position.

ADJUSTING THE TRIMMER HEAD ANGLE

See figure 7.

The trimmer head pivots 135° and can be locked into 7 positions within that range.

1. Squeeze the pivot button (1).
2. While squeezing the pivot button, move the head forward or backward.
3. Release the pivot button once the trimmer head is in

the desired position.

4. The trimmer head should lock securely in place.

TIPS FOR OPTIMUM USE

See figure 8-9.

- Start by trimming the top of the hedge. Slightly tilt the tool (up to 15° relative to the line of cut) so that the blade tips point slightly towards the hedge (FIG.8). This will cause the blades to cut more effectively. Hold the tool at the desired angle and move it steadily along the line of cut. The doublesided blade allows you to cut in either direction.
- In order to obtain a very straight cut, stretch a piece of string along the length of the hedge at the desired height. Use the string as a guideline, cutting just above it.
- In order to obtain flat sides, cut upwards with the growth. Younger stems move outwards when the blade cuts downwards, causing shallow patches in the hedge. (FIG.9)
- Take care to avoid any foreign objects. Especially avoid hard objects such as metal wire and railings, as these could damage the blades.
- Regularly oil the blades.

⚠ WARNING

Keep hands away from blade. Contact with blade will result in serious personal injury.

MAINTENANCE

CLEANING THE MACHINE

After every work session, clean the machine thoroughly to remove all dust and debris.

- To reduce fire hazards, keep the machine and, in particular, the motor free of leaves, branches or excessive grease.
- Always clean the machine after use with a damp cloth dipped in neutral detergent.
- Remove all traces of humidity using a soft damp cloth. Humidity can generate risks of electric shocks.
- Do not use aggressive detergents or solvents to clean the plastic parts or handgrips.
- Do not spray water onto the motor and electrical components and prevent them from getting wet.
- To avoid overheating and damage to the motor or the battery, always keep the cooling air vents clean and free of debris.

English (Original instructions)

CLEANING AND LUBRICATION OF THE CUTTING MEANS

⚠ WARNING

Do not touch the cutting means until the battery has been removed and the cutting means is completely stationary.

To increase the efficiency and working life of the blades, clean and lubricate them carefully after each work session:

- Place the machine in a stable horizontal position on the ground.
- Use a soft cloth to clean the blades, along with a brush to remove more difficult dirt and debris.
- Lubricate the blades by applying a light layer of specific oil, preferably the non-pollutant type, along the upper edge of the blade.

NUTS AND BOLTS

- Keep all nuts, bolts and screws tight to be sure the equipment is in safe working condition.
- Check regularly that the handles are fixed firmly.

STORING

STORING THE MACHINE

When the machine is to be stored away:

1. Remove the battery from its housing and recharge it;
2. Mount the blade cover.
3. Wait until the motor is sufficiently cold;
4. Clean.
5. Check there are no loose or damaged components. If necessary, replace the damaged components and tighten any screws and loose bolts or contact the authorised service centre.
6. Store the machine:
 - in a dry place
 - protected from inclement weather
 - in a place where children cannot get to it
 - making sure that keys or tools used for maintenance are removed.

STORING THE BATTERY

The battery must be kept in a cool, shaded place without humidity.

NOTE: If unused for any length of time, recharge the battery every two months to prolong its working life.

TROUBLESHOOTING

PROBLEM	POSSIBLE CAUSE	SOLUTION
The motor shuts down whilst working.	Battery is not inserted or is inserted incorrectly.	Make sure that the battery is inserted correctly.
	The machine is damaged.	Do not use the machine. Remove the battery and contact a Service Centre.
With the safety lock button and trigger on, the cutting means does not turn.	The machine is damaged.	Do not use the machine. Immediately turn off the machine, remove the battery and Contact a Service Centre.
The cutting means overheats whilst working.	Insufficient blade lubrication.	Turn off the machine, wait until the cutting means is stationary, remove the battery and lubricate the blades.
Excessive noise and/or vibration is experienced whilst working.	Loose or damaged parts.	Turn off the machine, remove the battery and: <ul style="list-style-type: none"> – inspect for damage; – check for and tighten any loose parts; – have any damaged parts replaced or repaired with parts having equivalent specifications.
The machine gives off smoke whilst working.	The machine is damaged.	Do not use the machine. Immediately turn off the machine, remove the battery and Contact a Authorised Service Centre.

Deutsch (Übersetzung der originalen anleitungen)

TECHNISCHE DATEN

40PHA	
Voltzahl	40V $\overline{\text{AC}}$
Leeraufdrehzahl	3000 ($\pm 10\%$) min^{-1}
Klingengeschwindigkeit	3000 ($\pm 10\%$) min^{-1}
Schnittlänge	510 mm
Messerabstand	18 mm
Gemessener Schallleistungspegel	80 dB (A), $k=3.0$
Garantierter Schallleistungspegel	99 dB (A)
Vibrationsgrad	$< 2.5 \text{ m/s}^2$, $k=1.5 \text{ m/s}^2$
Gewicht ohne Akkupack	3.84 kg
Akkupack ohne Batterie	40V110 / 40V220
Chargeur	40C120 / 40C60

BAUTEILE

Siehe Abb. 1.

1. Klinge
2. Heckenschneiderkopf
3. Verbindungsstück
4. Auslösesperre
5. An/Aus-Schalter
6. Hauptgriff
7. Batteriefach
8. Knopf zum Lösen des Akkus
9. Akku
10. Schieberhalter
11. Klängenabdeckung

MONTAGE

AUSPACKEN

- Dieses Produkt muss zusammengebaut werden.
- Nehmen Sie das Produkt und Zubehör vorsichtig aus dem Karton. Prüfen Sie, ob alle Gegenstände, die in der Inhaltsliste aufgeführt sind, vorhanden sind.
- Untersuchen Sie das Produkt sorgfältig und vergewissern Sie sich, dass während des Transports keine Beschädigungen aufgetreten sind.
- Entsorgen Sie das Verpackungsmaterial nicht, bis Sie das Produkt genau untersucht und erfolgreich benutzt haben.

PACKLISTE

- Heckenschneiderkopf
- Verlängerungsrohr
- Griffstange
- Klängenabdeckung
- Bedienungsanleitung

⚠ WARNUNG

Batterie erst einlegen, nachdem die Montage abgeschlossen ist. Nichtbeachtung kann zu einem unbeabsichtigten Einschalten und möglicherweise schweren Verletzungen führen.

ANBAU DES HECKENSCHEREN-TRIMMERKOPFES

Siehe Abb. 2.

Der Heckenscheren-Antriebskopf (1) kann direkt an der Griffstange (2) befestigt werden, um die Standardlänge zu erreichen.

1. Stecken Sie die Griffstange (2) in den Heckenscheren-Antriebskopf (1).
2. Schieben Sie die Manschette (3) nach oben und drehen sie im Uhrzeigersinn, bis sie vollständig festgezogen ist.

VERLÄNGERN DES HECKENSCHNEIDERS

Siehe Abb. 3.

Die maximale Länge kann erreicht werden, indem das Verlängerungsrohr (4) zwischen die Griffstange (2) und den Heckenscheren-Antriebskopf (1) montiert wird.

- Schieben Sie die Manschetten (3) nach oben und drehen sie im Uhrzeigersinn, bis sie vollständig festgezogen ist.

⚠ WARNUNG

Überprüfen Sie die Verbindungen regelmäßig, um sicherzustellen, dass sie fest sitzen.

ENTFERNEN DES HECKENSCHERENTRIMMERKOPFES / DER GRIFFSTANGE

Siehe Abb. 4.

- Stützen Sie den Heckenschneider auf dem Boden ab, lockern Sie die Verbindung (3) und nehmen dann den Trimmerkopf (1) / die Griffstange (2) ab.