



2501286 (40LM41)



 **CE** cramer.eu

English (Original Instructions)

⚠ WARNING

Always inspect mower for missing or damaged parts and blade for damage, uneven, or excessive wear prior to use. Using a product with damaged or missing parts could result in serious personal injury.

- Do not tilt the lawn mower when starting the engine or switching on the motor, unless the lawn mower has to be tilted for starting. In this case, do not tilt it more than absolutely necessary and lift only the part which is away from the operator.
- Do not start the engine when standing in front of the discharge chute.
- Do not put hands or feet near or under rotating parts. Always keep clear of the discharge opening.

For complete charging instructions, refer to the operator's manual for the battery packs and chargers listed in the specifications section.

TO INSTALL BATTERY PACK

See figure 7.

- Lift and hold up the battery door.
- Align the battery with the mower's battery port.
- Make sure the battery release button snaps in place and that battery is fully seated and secure in the mower before beginning operation.
- Insert the battery key.
- If the machine is not going to be used immediately, do not insert the battery key.
- Close the door.

TO REMOVE BATTERY PACK

See figure 7.

- Release the power lever to stop the product.
- Open the battery door.
- Remove the battery key.
- Press the battery release button on the mower. This will cause the battery to raise out of the tool slightly.
- Remove battery pack from the product.

STARTING/STOPPING THE MOWER

See figure 8.

- Open the battery door and insert the battery.
- Press and hold the start button.
- Pull the power lever upward to the handle to start the mower.
- To stop the mower, release the power lever.

NOTE: A high-pitched noise and sparking may occur as the electric motor decelerates. This is normal.

MOWING TIPS

- Make sure the lawn is clear of stones, sticks, wires, and other objects that could damage the lawn mower blades or motor. Do not mow over property stakes or other metal posts. Such objects could be accidentally thrown by the mower in any direction and cause serious personal injury to the operator and others.
- For a healthy lawn, always cut off one-third or less of the total length of the grass.
- Do not cut wet grass, it will stick to the underside of the deck and prevent proper bagging or mulching of grass clippings.
- New or thick grass may require a narrower cut or a higher cutting height.
- Clean the underside of the mower deck after each use to remove grass clippings, leaves, dirt, and any other accumulated debris.
- When cutting long grass, reduce walking speed to allow for more effective cutting and a proper discharge of the clippings.

NOTE: Always stop mower, allow blades to completely stop, and remove the isolator key before cleaning underneath the mower.

SLOPE OPERATION

⚠ WARNING

Slopes are a major factor related to slip and fall accidents that can result in severe injury. Operation on slopes requires extra caution. If you feel uneasy on a slope, do not mow it. For your safety, do not attempt to mow slopes greater than 15 degrees.

- Mow across the face of slopes, never up and down. Exercise extreme caution when changing direction on slopes.
- Watch for holes, ruts, rocks, hidden objects, or bumps which can cause you to slip or trip. Tall grass can hide obstacles. Remove all objects such as rocks, tree limbs, etc., which could be tripped over or thrown by the blade.
- Always be sure of your footing. A slip and fall can cause serious personal injury. If you feel you are losing your balance, release the power lever immediately.
- Do not mow near drop-offs, ditches, or embankments; you could lose your footing or balance.

EMPTYING THE GRASSBOX

See figure 9.

- Stop mower, allow blade to completely stop, and remove isolator key.

English (Original Instructions)

- Lift the rear door.
- Lift the grassbox by its handle to remove from mower.
- Empty grass clippings.
- Lift the rear door and reinstall the grassbox as described earlier in this manual.

MAINTENANCE

⚠ WARNING

Before performing any maintenance, make sure the mower battery and isolator key are removed to avoid accidental starting and possible serious personal injury.

⚠ WARNING

When servicing, use only authorised replacement parts. Use of any other parts may create a hazard or cause product damage.

⚠ WARNING

Keep the motor and battery compartments free from grass, leaves or excessive grease. This will help reduce the risk of fire.

GENERAL MAINTENANCE

Before each use, inspect the entire product for damaged, missing, or loose parts such as screws, nuts, bolts, caps, etc.

Tighten securely all fasteners and caps and do not operate this product until all missing or damaged parts are replaced. Please call Cramer customer service for assistance. Avoid using solvents when cleaning plastic parts. Most plastics are susceptible to damage from various types of commercial solvents and may be damaged by their use. Use clean cloths to remove dirt, dust, oil, grease, etc.

⚠ WARNING

Do not at any time let brake fluids, gasoline, petroleum-based products, penetrating oils, etc., come in contact with plastic parts. Chemicals can damage, weaken, or destroy plastic which may result in serious personal injury.

Periodically check all nuts and bolts for proper tightness to ensure safe operation of the mower.

Wipe the mower clean with a dry cloth occasionally. Do not use water.

LUBRICATION

All of the bearings in this product are lubricated with a sufficient amount of high grade lubricant for the life of the unit under normal operating conditions. Therefore, no further bearing lubrication is required.

⚠ WARNING

Always protect hands by wearing heavy gloves and/or wrapping the cutting edges of the blade with rags and other material when performing blade maintenance. Contact with the blade could result in serious personal injury.

⚠ WARNING

Do not lubricate any of the wheel components. Lubrication may cause the wheel components to fail during use, which could result in serious personal injury to the operator and/or mower or property damage.

REPLACING THE CUTTING BLADE

See figure 10-11.

NOTE: Only use authorised replacement blades. Replace worn or damaged blades and bolts in sets to preserve balance.

- Stop the motor and release the power lever. Allow blade to come to a complete stop.
- Remove the battery pack.
- Turn the mower on its side.
- Wedge a block of wood between the blade and mower deck to prevent the blade from turning.
- Loosen the blade bolt by turning it counterclockwise (as viewed from bottom of mower) using a 27 mm wrench or socket (not provided).
- Remove the blade bolt and blade.
- Place the new blade on the shaft. Ensure blade is properly seated with shaft going through center blade hole and the two blade posts on the fan inserted into their respective holes on the blade. Make sure it is installed with the curved ends pointing up toward the mower deck and not down toward the ground. When seated properly, the blade should be flat against the fan.
- Thread the blade bolt on the shaft and finger tighten.
- Torque the blade bolt down clockwise using a torque wrench (not provided) to ensure the bolt is properly tightened. The recommended torque for the blade bolt is 62.5~71.5 kgfcm (350-400 in.-lb.).

English (Original Instructions)

TROUBLESHOOTING

Problem	Possible cause	Solution
Handle is not in position.	Carriage bolts are not seated properly.	Adjust the height of the handle and make sure the carriage bolts are seated properly.
Mower is not starting.	Battery is low in charge.	Charge the battery.
	Battery is either inoperable or will not take a charge.	Replace the battery.
Mower is cutting grass unevenly.	Lawn is rough or uneven or cutting height not set properly.	Move the wheels to a higher position. All wheels must be placed in the same cutting height for the mower to cut evenly.
Mower is not mulching properly.	Wet grass clippings are sticking to the underside of the deck.	Wait until the grass dries before mowing.
Mower is hard to push.	High grass, rear of mower housing and blade are dragging in heavy grass, or cutting height too low.	Raise the cutting height.
Mower is not bagging properly.	Cutting height is set too low.	Raise the cutting height.
Mower is vibrating at higher speed.	Blade is unbalanced, excessively or unevenly worn.	Replace the blade.
	Motor shaft is bent.	Stop the motor, remove isolator key and battery, disconnect the power source, and inspect for damage. Have it repaired by an authorised service center before restarting.
Motor stops while cutting.	Cutting height is set too low.	Raise the cutting height.
	Battery has no power.	Charge the battery.

If these solutions do not solve the problem contact your authorised service dealer.



40LM41
2501286

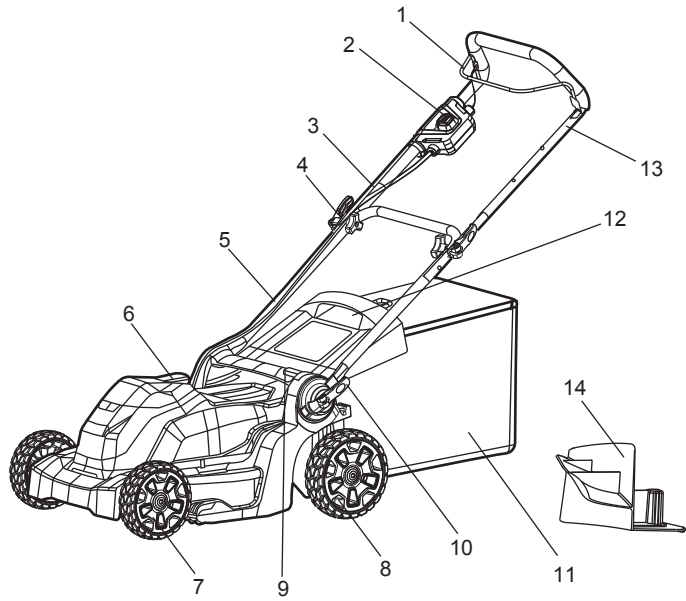


Fig. 1

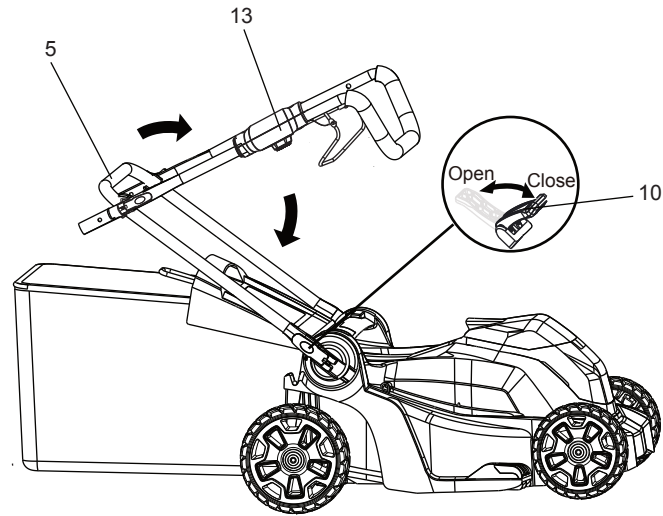


Fig. 2

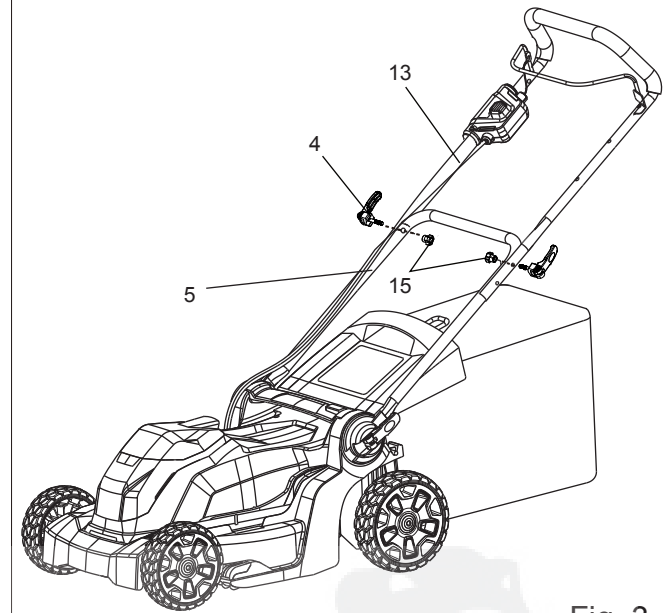


Fig. 3

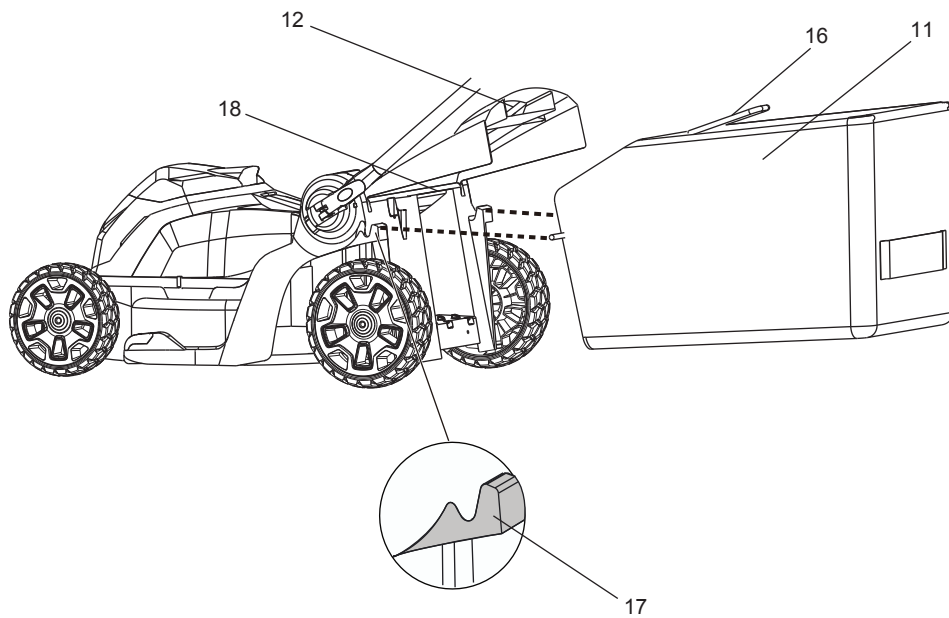


Fig. 4

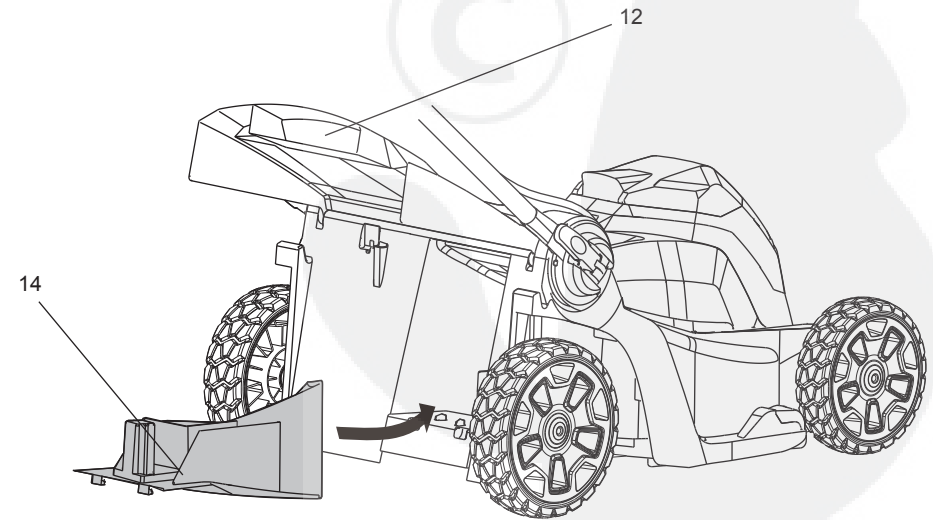


Fig. 5