

ILLUSTRATED PARTS LIST

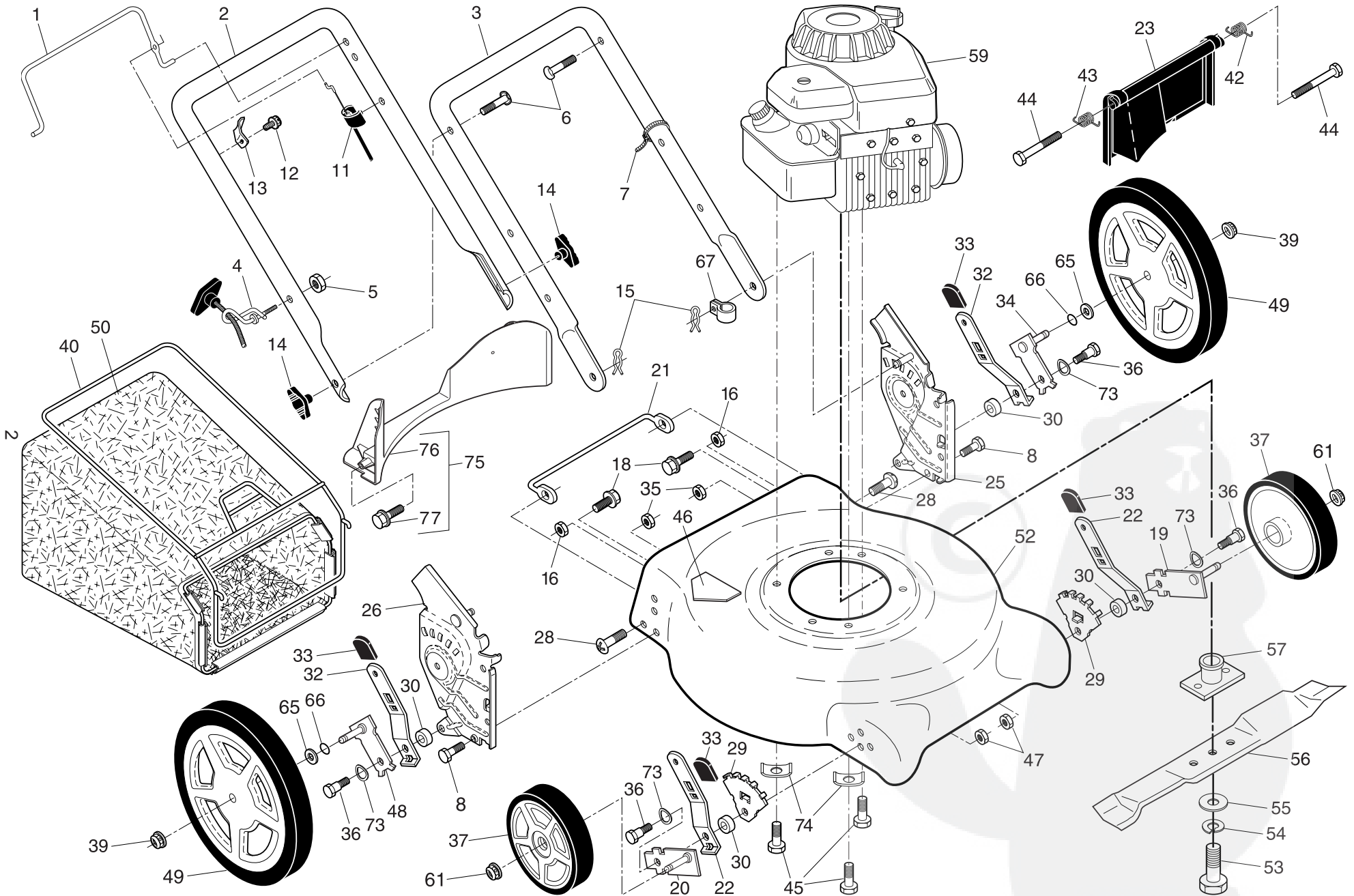
MODEL NUMBER PP53-500CMW

PRODUCT NUMBER 961 31 00-10

MFG. ID. NUMBER 96131001004



ROTARY LAWN MOWER - MODEL NUMBER PP53-500CMW (96131001004) PRODUCT NUMBER 961 31 00-10



ROTARY LAWN MOWER - MODEL NUMBER PP53-500CMW (96131001004) PRODUCT NUMBER 961 31 00-10

KEY NO.	PART NO.	DESCRIPTION	KEY NO.	PART NO.	DESCRIPTION
1	532 19 55-74	Control Bar	40	532 41 19-49	Frame, Grassbag
2	532 19 55-47	Upper Handle	42	532 40 54-21	Spring, Rear Door, LH
3	532 17 42-91	Lower Handle	43	532 40 54-23	Spring, Rear Door, RH
4	532 19 47-88	Rope Guide	44	532 18 41-93	Bolt, Rear Door
5	532 13 20-04	Locknut, Hex 1/4-20	45	532 15 04-06	Hex Head Thread Rolling Screw 3/8-16 x 1
6	532 19 15-74	Handle Bolt	46	532 18 21-66	Danger Decal
7	532 06 64-26	Wire Tie	47	873 75 11-53	Nut, Hex
8	874 78 05-12	Hex Bolt 5/16-18 x 3/4	48	532 41 06-01	Axle Arm Assembly, Rear, RH
11	532 17 65-56	Engine Zone Control Cable	49	532 40 31-22	Wheel & Tire Assembly, Rear 12 x 1-3/4
12	532 75 06-34	Hex Washer Head Screw #10-24 x 1/2	50	532 40 20-24	Grassbag
13	532 12 52-03	Up-Stop Bracket	52	532 41 39-82	Kit, Lawn Mower Housing Assembly (Includes Key Numbers 17, 18 and 46)
14	532 19 19-38	Handle Knob	53	532 85 10-84	Hex Head Screw 3/8-24 x 1-3/8 Grade 8
15	532 05 17-93	Hairpin Cotter	54	532 85 02-63	Helical Lockwasher
18	817 60 04-06	Screw 1/4-20 x 3/8	55	532 85 10-74	Hardened Washer
19	532 40 66-89	Axle Arm Assembly, Front, LH	56	532 19 93-77	21" Blade
20	532 40 66-90	Axle Arm Assembly, Front, RH	57	532 85 09-77	Blade Adapter
21	532 41 35-43	Footguard	59	- - -	Engine, Briggs & Stratton, Model Number 10T502-1000-B1 (Order parts from engine manufacturer)
22	532 40 64-28	Selector Spring, Front	61	532 40 91-48	Nut, Hex, Flangelock
23	532 41 06-03	Rear Door Assembly	65	532 08 83-48	Washer, Flat
24	532 16 67-85	Locknut, Hex 5/16-18	66	532 19 74-80	O-Ring
25	532 41 39-60	Handle Bracket Assembly, LH	67	532 19 79-91	Clip, Cable
26	532 41 39-62	Handle Bracket Assembly, RH	73	532 40 16-30	Washer, Curved
28	817 06 04-10	Screw	74	532 12 50-78	Washer, Engine
29	532 41 05-94	Wheel Adjusting Bracket, Front	75	532 41 36-93	Kit, Rear Baffle (Includes 3 Screws)
30	532 40 16-29	Spacer	76	532 41 05-89	Baffle, Rear
32	532 41 05-95	Spring, Selector, Rear	77	817 41 13-12	Screw, Rear Baffle
33	532 08 78-77	Selector Knob	--	532 18 21-91	Warning Decal (not shown)
34	532 41 06-00	Axle Arm Assembly, Rear, LH	--	532 41 62-22	Operator's Manual, European
35	532 16 67-85	Locknut, Hex 5/16-18	--	532 41 62-24	Operator's Manual, Scandinavian
36	532 40 16-38	Shoulder Bolt 5/16-18	--	532 41 62-23	Operator's Manual, East Bloc
37	532 19 80-87	Wheel & Tire Assembly, Front 8 x 1-3/4	--	532 41 62-25	Operator's Manual, Baltic
39	532 40 91-49	Nut, Hex, Flangelock			

NOTE: All component dimensions given in U.S. inches. 1 inch = 25.4 mm. **IMPORTANT:** Use only Original Equipment Manufacturer (O.E.M.) replacement parts. Failure to do so could be hazardous, damage your lawn mower and void your warranty.