

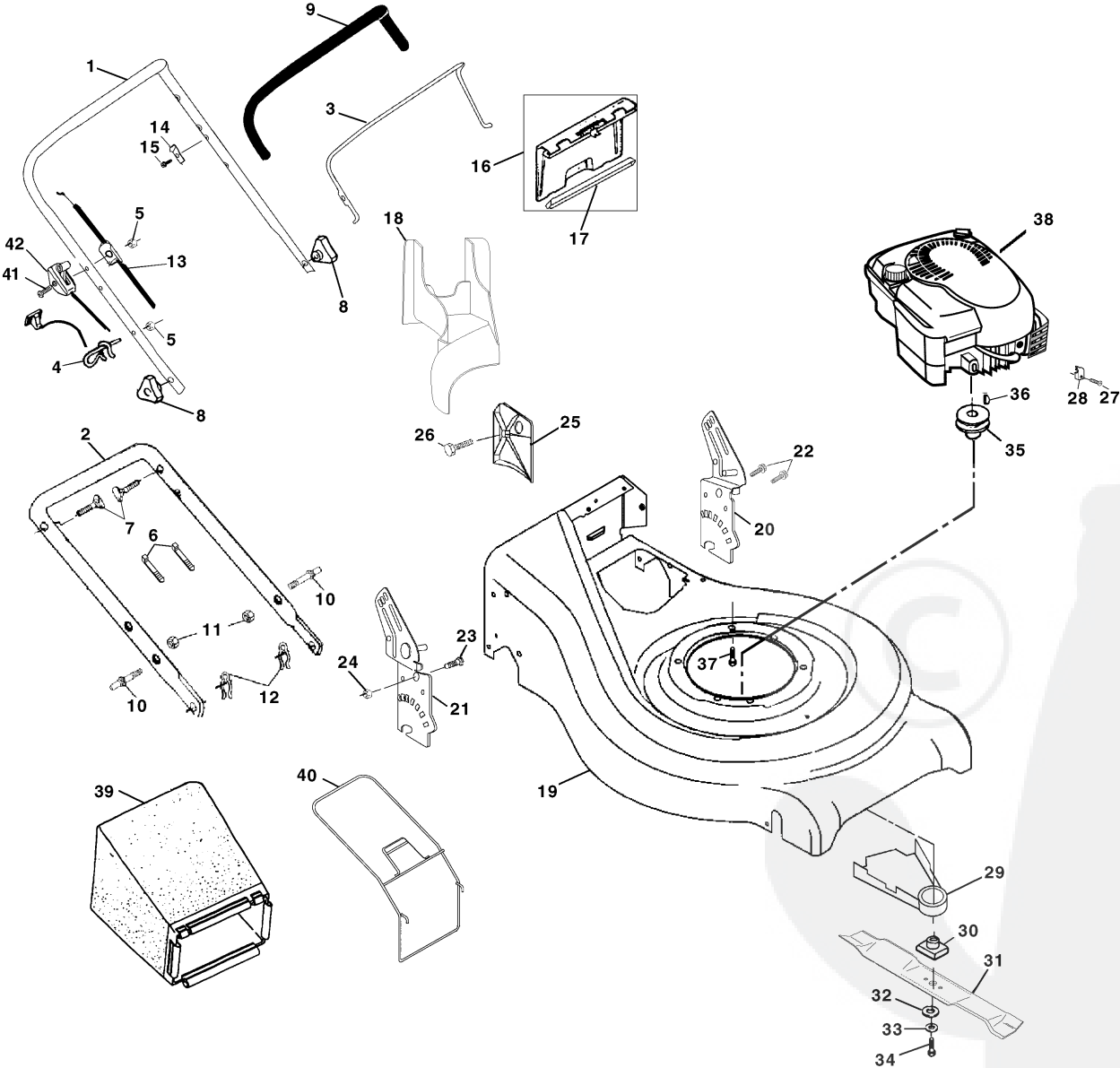


REPAIR PARTS MANUAL
MODEL NO. RE621CC
Lawn Mower

Rally

REPAIR PARTS

ROTARY LAWN MOWER - - MODEL NO. RE621CC



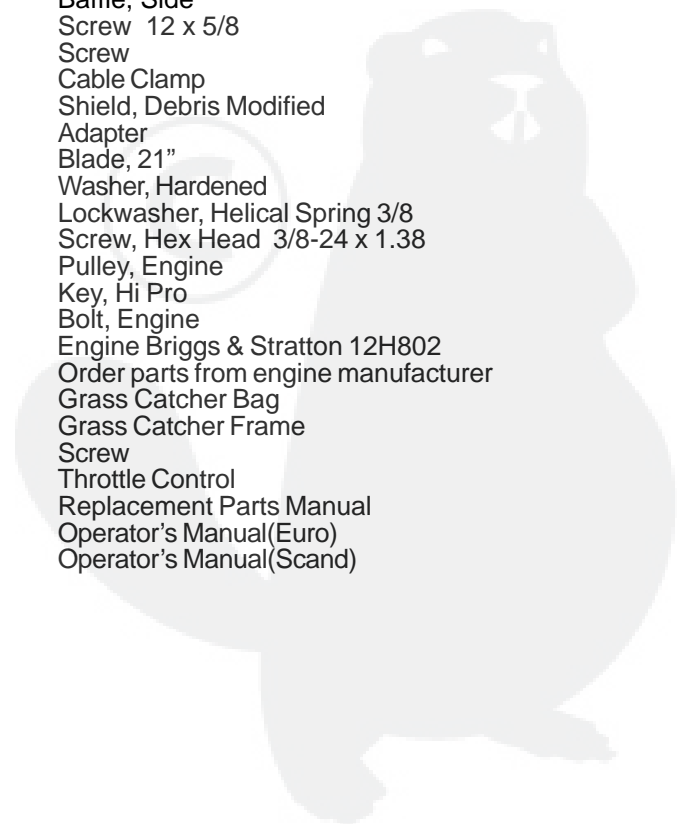
REPAIR PARTS

ROTARY LAWN MOWER - - MODEL NO. RE621CC

3

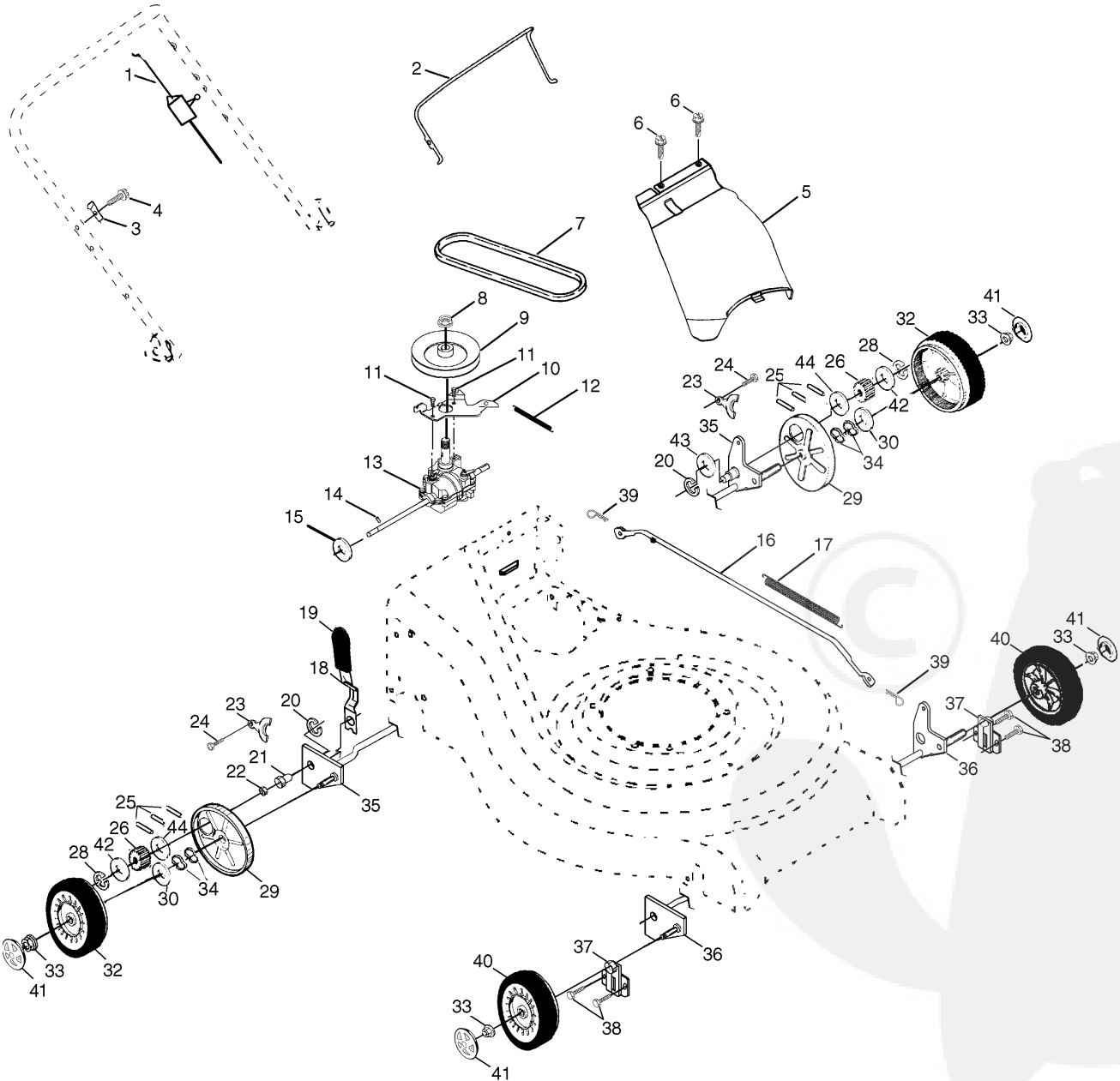
KEY NO.	PART NO.	DESCRIPTION
1	167163	Handle, Upper Dlx Comf.
2	161105X479	Handle, Lower
3	131036	Bail, Cont. Wire Dlx Comf. Blk
4	132001	Guide, Rope, Side
5	63601	Nut, Hex Lockwasher 1/4-20
6	66426	Wire, Tie
7	131959	Bolt, Handle 5/16-18 x 1.75
8	87692	Knob, Handle
9	164265	Grip, Hdl Foam Smooth
10	161551	Bolt, Sq. Neck
11	73990500	Nut, Hex Lockwasher Ins. 5/16-18 UNC
12	51793	Cotter, Hairpin
13	133107	Cable
14	850733X004	Bracket, Upstop
15	83816	Screw, Hex Washer Head Tapping 10-2
16	162085	Kit, Door Rear
17	161548	Seal, Door
18	165261	Plug, Mulcher
19	163424	Kit, Housing
20	161568X479	Handle, Bracket
21	168227X479	Handle, Bracket Asm. Right

KEY NO.	PART NO.	DESCRIPTION
22	150078	Screw, Hex Wshd
23	163183	Bolt, Hex Head 5/16-18 x 5/8
24	63124	Nut, Hex Lock Wshr 5/16-18
25	161333	Baffle, Side
26	163409	Screw 12 x 5/8
27	83816	Screw
28	111190X	Cable Clamp
29	134612	Shield, Debris Modified
30	851514	Adapter
31	159267	Blade, 21"
32	851074	Washer, Hardened
33	850263	Lockwasher, Helical Spring 3/8
34	851084	Screw, Hex Head 3/8-24 x 1.38
35	84596	Pulley, Engine
36	87677	Key, Hi Pro
37	150406	Bolt, Engine
38	-----	Engine Briggs & Stratton 12H802 Order parts from engine manufacturer
39	165844	Grass Catcher Bag
40	161358	Grass Catcher Frame
41	144929	Screw
42	164137	Throttle Control
--	169941	Replacement Parts Manual
--	168401	Operator's Manual(Euro)
--	168402	Operator's Manual(Scand)



REPAIR PARTS

ROTARY LAWN MOWER - - MODEL NO. RE621CC



REPAIR PARTS

ROTARY LAWN MOWER - - MODEL NO. RE621CC

KEY NO.	PART NO.	DESCRIPTION
1	161587	Cable Drive
2	161473	Bail Control Drive
3	161478X004	Bracket, Downstop
4	83816	Screw Hex Wash Head Tapping 10-2
5	161537	Cover Drive
6	750634	Screw Thdrol 10-25 x .50
7	160816	V-Belt
8	132010	Nut Lock Flanged 3/8-16 Zinc
9	163939	Pulley Driven
10	160813X004	Belt Keeper
11	17541011	Screw Hex Wash Head 10-24 X .668
12	75192	Spring
13	169611	Transmission Asm.
14	145354	Pin Spring Thrust
15	57079	Washer Hardened
16	161584	Rod Connecting
17	161602	Spring Extension
18	160477X004	Spring Selector
19	161961	Knob Selector Spring
20	12000022	E-Ring 7/8

KEY NO.	PART NO.	DESCRIPTION
21	163365	Bearing Support
22	169911	Bearing Ball
23	161118X004	Retainer Drive Asm. Stmp.
24	57808	Screw Hex Head Tapping 1/4-20 x .75
25	166453	Drive Pawl
26	166450	Pinion, Drive RH
28	12000058	E-Ring 7/16
29	88080	Cover, Dust Wheel
30	67725	Washer 1/2 x 1-1/2 x .134
32	162062	Wheel 9 x 2
33	83923	Nut Hex Flange Lock
34	57143	Wave Washer
35	160785 X004	Shaft Asm. Rear
36	160786X004	Shaft Asm. Front
37	161463	Retainer Front Shaft
38	163409	Screw 12 x 5/8
39	700279	Clip Retainer
40	146247	Wheel 8 x 2
41	77400	Hubcap
42	52160	Washer
43	19572216	Washer
44	62335	Washer

5



SERVICE NOTES



SERVICE NOTES



CONGRATULATIONS on your purchase of a new lawn mower. Your lawn mower has been designed, engineered and manufactured to give you the best possible dependability and performance.

LIMITED WARRANTY

The Manufacturer warrants to the original consumer purchaser that this product as manufactured is free from defects in materials and workmanship. For a period of one (1) year from date of purchase by the original consumer purchaser, we will repair or replace, at our option, without charge for parts or labor incurred in replacing parts, any part which we find to be defective due to materials or workmanship. This Warranty is subject to the following limitations and exclusions.

1. This warranty does not apply to the engine. Please contact your nearest dealer where they will send the machine to the engine manufacturer.
2. Transportation charges for the movement of any power equipment unit or attachment are the responsibility of the purchaser. Transportation charges for any parts submitted for replacement under this warranty must be paid by the purchaser unless such return is requested by your dealer.
3. Battery Warranty: On products equipped with a Battery, we will replace, without charge to you, any battery which we find to be defective in manufacture, during the first ninety (90) days of ownership. After ninety (90) days, we will exchange the Battery, charging you 1/12 of the price of a new Battery for each full month from the date of the original sale. Battery must be maintained in accordance with the instructions furnished.
4. The Warranty period for any products used for rental or commercial purposes is limited to 90 days from the date of original purchase.
5. This Warranty applies only to products which have been properly assembled, adjusted, operated, and maintained in accordance with the instructions furnished. This Warranty does not apply to any product which has been subjected to alteration, misuse, abuse, improper assembly or installation, delivery damage, or to normal wear of the product.
6. Exclusions: Excluded from this Warranty are belts, blades, blade adapters, normal wear, normal adjustments, standard hardware and normal maintenance.
7. In case of any problem within the boundaries of this warranty, contact the nearest department store, indicate the model number, serial number and the date of purchase of your machine. This warranty does not apply to accidental damages. All implicit warranties are limited to the same time frames. Or contact:

E.M. Services
54 Rue Lambrechts
92400 Courbevoie
France
Telephone: (1) 46678078
Fax: (1) 46678095

THIS WARRANTY DOES NOT APPLY TO INCIDENTAL OR CONSEQUENTIAL DAMAGES. ANY IMPLIED WARRANTIES ARE LIMITED TO THE SAME TIME PERIODS STATED HEREIN.