

**REPAIR PARTS MANUAL**  
**MODEL NO. SN4Z876B**  
**Lawn Mower**

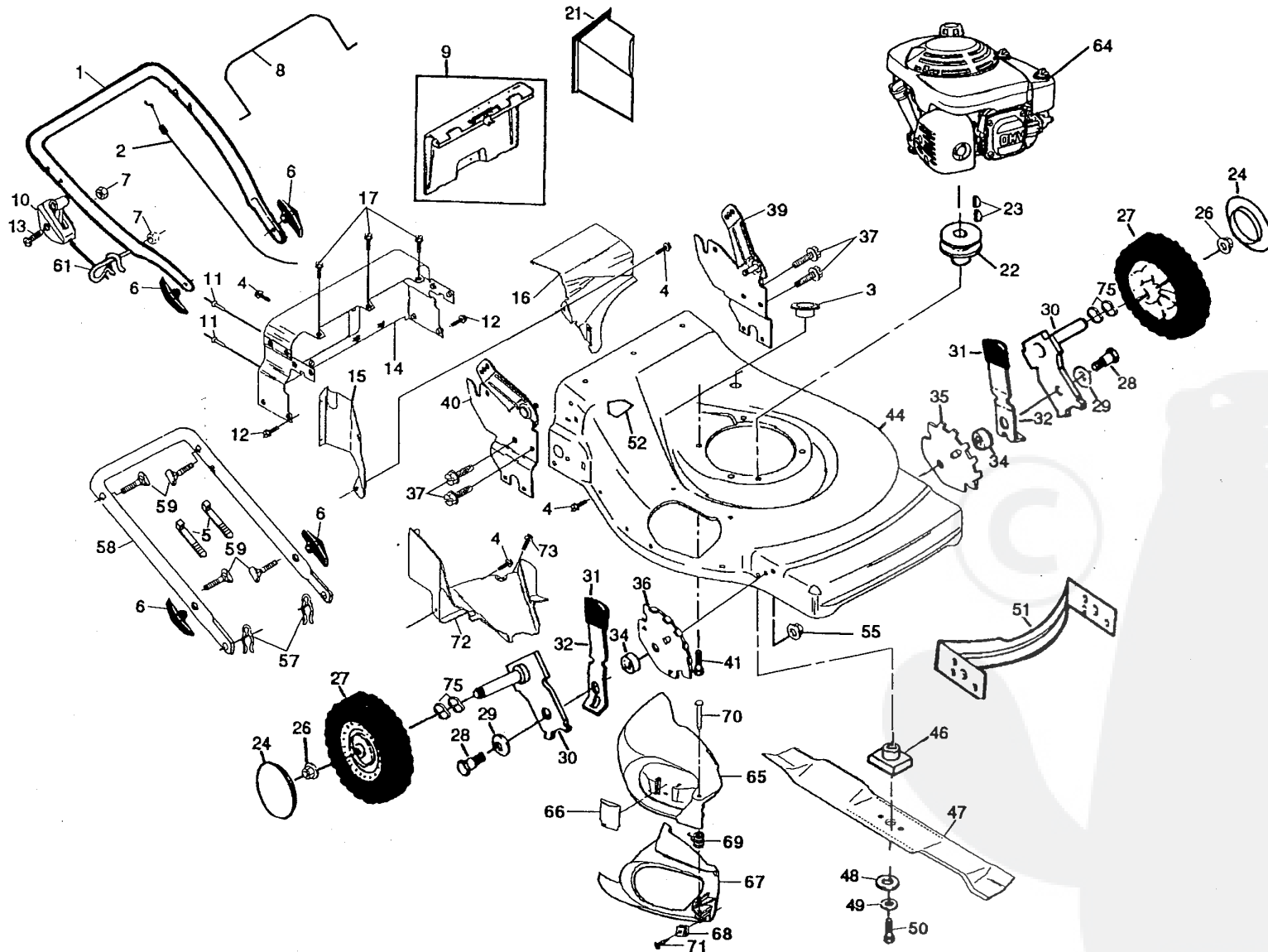


162005 11.26.97 Rev. 1 VB  
PRINTED IN U.S.A.

# REPAIR PARTS

## ROTARY LAWN MOWER MODEL NUMBER SN4Z876B

2



# REPAIR PARTS

## ROTARY LAWN MOWER MODEL NUMBER SN4Z876B

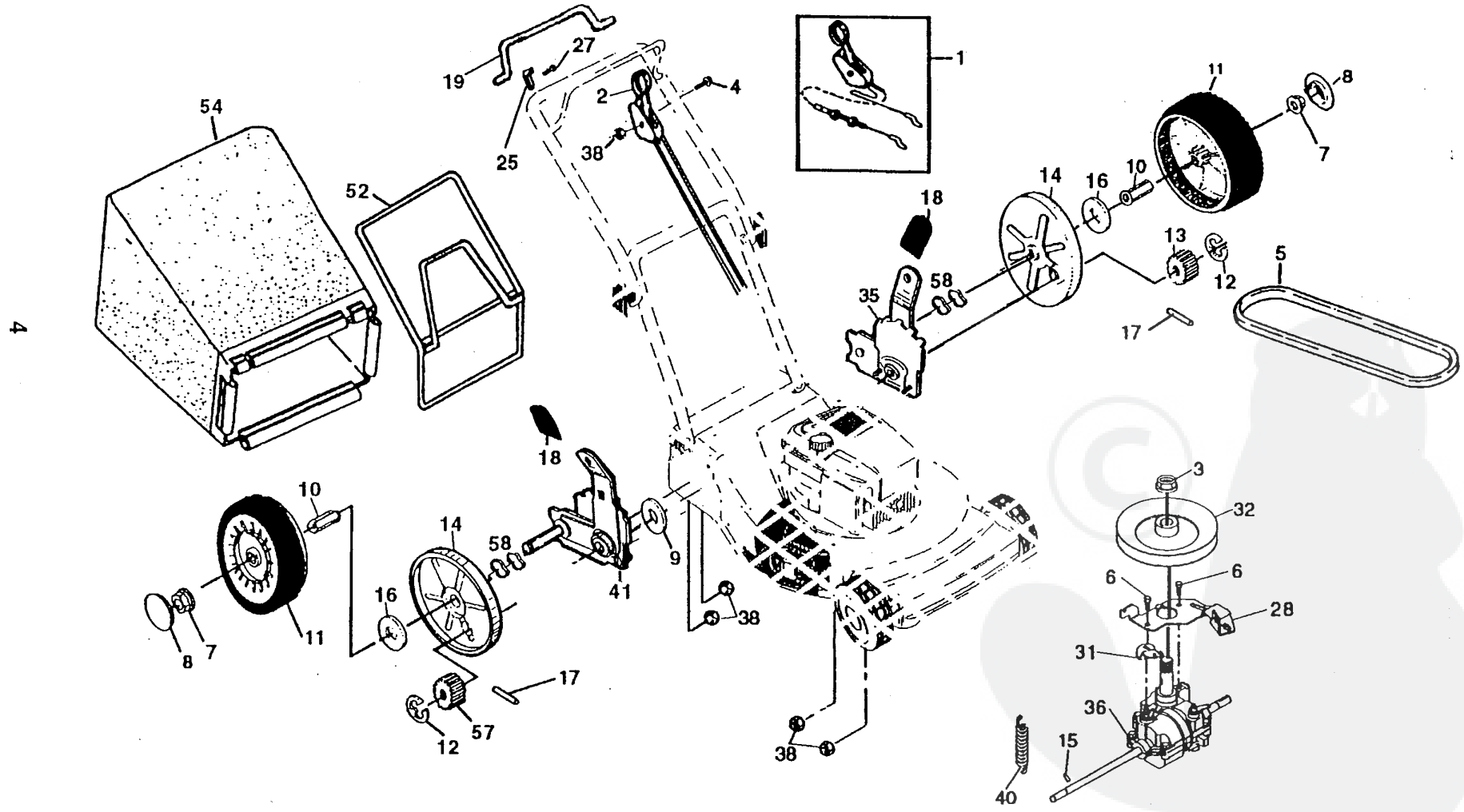
| KEY NO. | PART NO    | DESCRIPTION                           |
|---------|------------|---------------------------------------|
| 1       | 154480X479 | Upper Handle                          |
| 2       | 147550     | Engine Zone Control Cable             |
| 3       | 145073     | Grommet, Cable                        |
| 4       | 150050     | Screw, Hex Tapping #10-24 x 1/2       |
| 5       | 66426      | Wire Tie                              |
| 6       | 136376     | Handle Knob                           |
| 7       | 63601      | Locknut 1/4-20                        |
| 8       | 145641     | Control Bar, Engine                   |
| 9       | 147690     | Rear Door Kit                         |
| 10      | 147551     | Throttle Control                      |
| 11      | 128415     | Pop Rivets                            |
| 12      | STD512505  | Hex Tapping Screw 1/4-20 x 1/2        |
| 13      | 59935      | Screw                                 |
| 14      | 144991X479 | Back Plate                            |
| 15      | 145594X479 | Side Baffle                           |
| 16      | 145066X479 | Discharge Baffle                      |
| 17      | 149027     | Truss Head Tapping Screw 1/4-20 x 1/2 |
| 21      | 150099     | Mulcher                               |
| 22      | 84596      | Engine Pulley                         |
| 23      | 87677      | Hi-Pro Key #505                       |
| 24      | 77400      | Hubcap                                |
| 26      | 83923      | Nut, Hex Flange                       |
| 27      | 162062     | Wheel & Tire Assembly                 |
| 28      | 142748     | Shoulder Bolt 3/8-16                  |
| 29      | 62335      | Belleville Washer                     |
| 30      | 145937X004 | Axle Arm Assembly                     |
| 31      | 701037     | Selector Knob                         |
| 32      | 850862X004 | Selector Spring                       |
| 34      | 146630     | Spacer                                |
| 35      | 132513     | Wheel Adjusting Bracket (Left)        |
| 36      | 132512     | Wheel Adjusting Bracket (Right)       |
| 37      | 150078     | Thread Cutting Screw 5/16-18 x 3/4    |

| KEY NO. | PART NO    | DESCRIPTION                                   |
|---------|------------|---|
| 39      | 153304X479 | Handle Bracket Assembly (Left)                |
| 40      | 153305X479 | Handle Bracket Assembly (Right)               |
| 41      | 146653     | Engine Bolt                                   |
| 44      | 152380     | Lawn Mower Housing (Incl. Key #14,15,51 & 52) |
| 46      | 851514     | Blade Adapter                                 |
| 47      | 141443     | Blade 22"                                     |
| 48      | 851074     | Hardened Washer                               |
| 49      | 850263     | Helical Washer 3/8-24 x 1-3/8 Grd. 8          |
| 50      | 851084     | Hex Head Machine Screw 3/8-24 x 1-3/8 Grd. 8  |
| 51      | 801652X479 | Front Baffle                                  |
| 52      | 145494     | Danger Decal                                  |
| 55      | 751592     | Locknut 3/8-16                                |
| 57      | 51793      | Hairpin Cotter                                |
| 58      | 151723X479 | Lower Handle                                  |
| 59      | 131959     | Handle Bolt                                   |
| 61      | 132001     | Rope Guide                                    |
| 64      | -----      | Engine - Model No. GXV140                     |
| 65      | 701458     | Door  |
| 66      | 143984X479 | Door Latch                                    |
| 67      | 702807     | Side Discharge Guard                          |
| 68      | 141839     | Speed Nut                                     |
| 69      | 702808     | Hinge Spring                                  |
| 70      | 702809     | Hinge Rod                                     |
| 71      | 141841     | Screw   |
| 72      | 145062     | Baffle/Belt Cover                             |
| 73      | 17411312   | Screw   |
| 75      | 57143      | Wave Washer                                   |
| --      | 157671     | Operator's Manual (Euro)                      |
| --      | 162005     | Replacement Parts Manual                      |



# REPAIR PARTS

## ROTARY LAWN MOWER MODEL NUMBER SN4Z876B

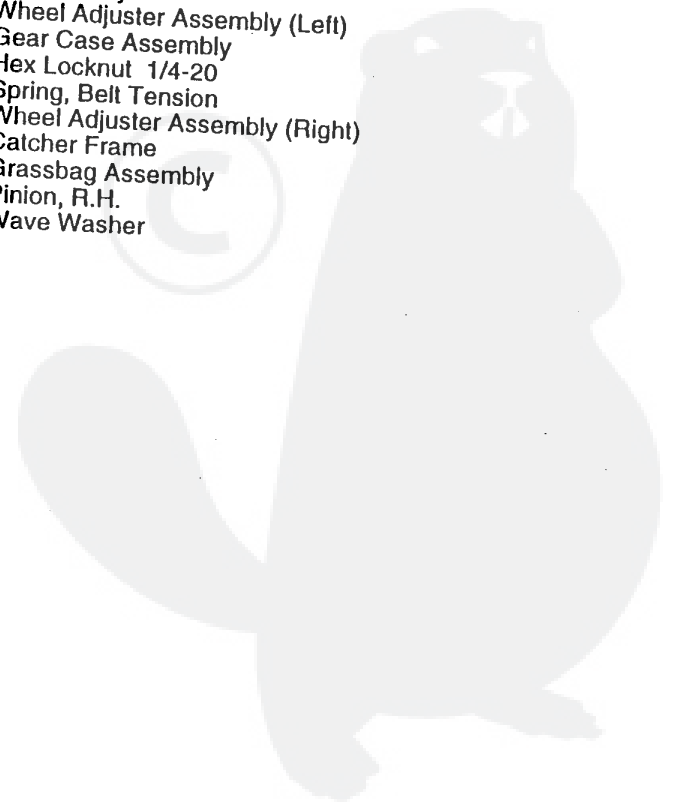


# REPAIR PARTS

## ROTARY LAWN MOWER MODEL NUMBER SN4Z876B

| KEY NO. | PART NO.  | DESCRIPTION               |
|---------|-----------|---------------------------|
| 1       | 147715    | Drive Head Kit            |
| 2       | 162716    | Drive Control             |
| 3       | M73031000 | Nut, Metric               |
| 4       | 144929    | Screw 1/4-20              |
| 5       | 150327    | V-Belt                    |
| 6       | 146315    | Screw                     |
| 7       | 145212    | Nut, Hex Flange           |
| 8       | 77400     | Hubcap                    |
| 9       | 57079     | Washer                    |
| 10      | 88446     | Nylon Bushing             |
| 11      | 162062    | Wheel & Tire Assembly     |
| 12      | 12000058  | E-Ring                    |
| 13      | 850017    | Pinion, L.H.              |
| 14      | 88080     | Dust Cover                |
| 15      | 145354    | Pin, Spring Thrust        |
| 16      | 67725     | Washer 1/2 x 1-1/2 x .134 |

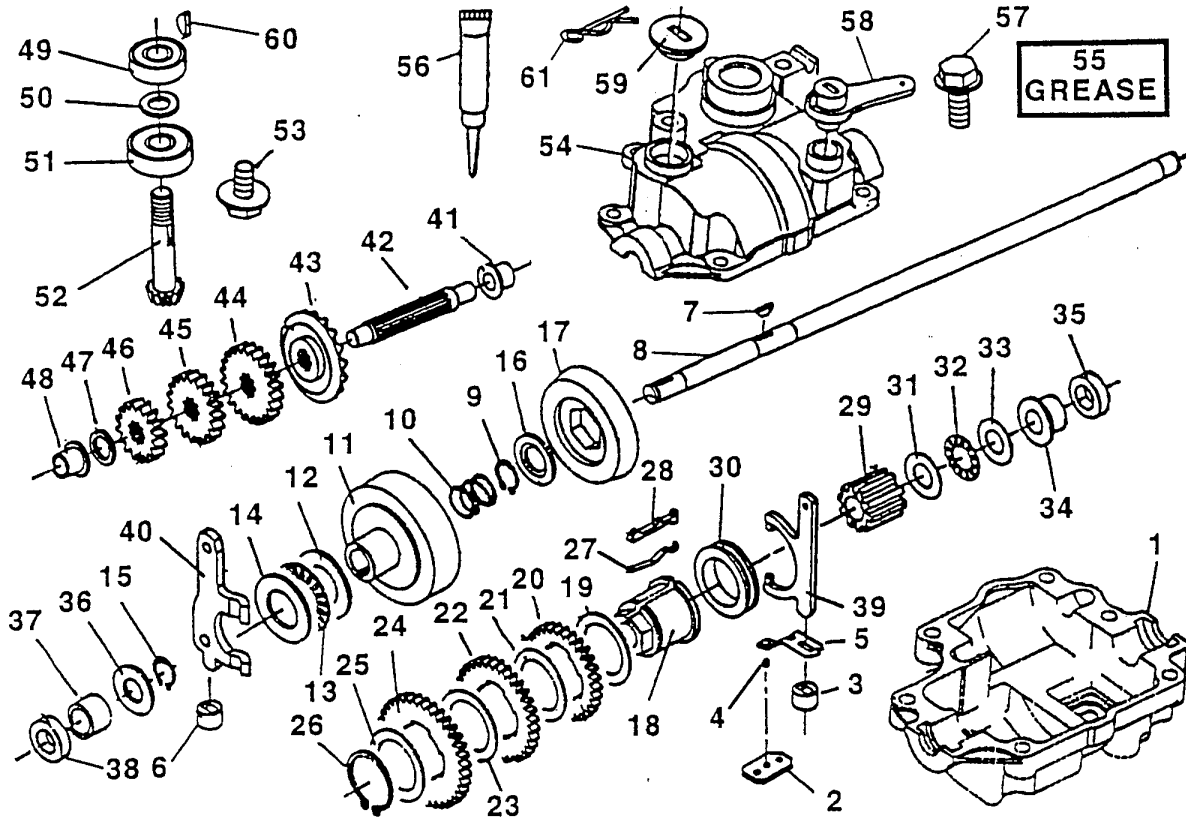
| KEY NO. | PART NO.   | DESCRIPTION                     |
|---------|------------|---------------------------------|
| 17      | 851980     | Drive Pin                       |
| 18      | 701037     | Selector Knob                   |
| 19      | 162715     | Control Bar, Drive              |
| 25      | 161426X004 | Downstop Bracket                |
| 27      | 750097     | Screw #10-24 x 1/2              |
| 28      | 145096X004 | Bracket, Gearcase               |
| 31      | 145842X004 | Lever, Clutch                   |
| 32      | 150326     | Drive Pulley                    |
| 35      | 157689     | Wheel Adjuster Assembly (Left)  |
| 36      | 150330     | Gear Case Assembly              |
| 38      | STD541425  | Hex Locknut 1/4-20              |
| 40      | 144902     | Spring, Belt Tension            |
| 41      | 157688     | Wheel Adjuster Assembly (Right) |
| 52      | 150224     | Catcher Frame                   |
| 54      | 150717     | Grassbag Assembly               |
| 57      | 850016     | Pinion, R.H.                    |
| 58      | 57143      | Wave Washer                     |



# REPAIR PARTS

## ROTARY LAWN MOWER MODEL NUMBER SN4Z876A

### CLUTCH CASE ASSEMBLY 150330



#### KEY PART

| KEY PART NO. | DESCRIPTION               |
|--------------|---------------------------|
| 1            | Case, Lower               |
| 2            | Plate, Detent             |
| 3            | Support, Fork, Shift      |
| 4            | Ball, Detent              |
| 5            | Spring, Detent            |
| 6            | Support, Fork, Clutch     |
| 7            | Key, Woodruff             |
| 8            | Axle, Shaft               |
| 9            | Ring, 12.7                |
| 10           | Spring, Return            |
| 11           | Cone, Cave                |
| 12           | Washer, Thrust            |
| 13           | Bearing, Thrust, Needle   |
| 14           | Washer, Thrust            |
| 15           | Ring, 12.7                |
| 16           | Washer, Retainer          |
| 17           | Cone                      |
| 18           | Collar, Shift             |
| 19           | Washer                    |
| 20           | Gear, 33 Teeth            |
| 21           | Washer                    |
| 22           | Gear, 36 Teeth            |
| 23           | Washer                    |
| 24           | Gear, 40 Teeth            |
| 25           | Washer                    |
| 26           | Ring 28                   |
| 27           | Spring, Shift             |
| 28           | Key, Shift                |
| 29           | Support, Key              |
| 30           | Collar, Shift             |
| 31           | Washer, Thrust 1/2        |
| 32           | Bearing, Thrust, Needle   |
| 33           | Washer, Thrust 1/2        |
| 34           | Bearing, Thrust, Needle   |
| 35           | Seal 1/2                  |
| 36           | Washer, Retainer          |
| 37           | Bushing, Transmission     |
| 38           | Seal 1/2                  |
| 39           | Fork, Shift               |
| 40           | Fork, Clutch              |
| 41           | Bushing                   |
| 42           | Shaft, Reduction          |
| 43           | Gear, Bevel 35 Teeth      |
| 44           | Gear, Spur 19 Teeth       |
| 45           | Gear, Spur 16 Tooth       |
| 46           | Gear, Spur 12 Tooth       |
| 47           | Washer                    |
| 48           | Bushing                   |
| 49           | Bearing, Ball 6000U       |
| 50           | Washer, 10                |
| 51           | Bearing, Ball 6200        |
| 52           | Shaft, Input              |
| 53           | Screw, Self-Tapping       |
| 54           | Case, Upper               |
| 55           | Grease                    |
| 56           | Sealant                   |
| 57           | Screw, Self-Tapping, Case |
| 58           | Arm, Shift                |
| 59           | Support, Upper, Clutch    |
| 60           | Key, Woodruff             |
| 61           | Pin, Snap 14              |

#### KEY PART

| NO. | NO.    | DESCRIPTION               |
|-----|--------|---------------------------|
| 33  | 148111 | Washer, Thrust 1/2        |
| 34  | 148106 | Bushing, Transmission 1/2 |
| 35  | 148107 | Seal 1/2                  |
| 36  | 148096 | Washer, Retainer          |
| 37  | 148104 | Bushing, Transmission     |
| 38  | 148107 | Seal 1/2                  |
| 39  | 148116 | Fork, Shift               |
| 40  | 148124 | Fork, Clutch              |
| 41  | 148069 | Bushing                   |
| 42  | 148065 | Shaft, Reduction          |
| 43  | 148066 | Gear, Bevel 35 Teeth      |
| 44  | 148080 | Gear, Spur 19 Teeth       |
| 45  | 148072 | Gear, Spur 16 Tooth       |
| 46  | 154845 | Gear, Spur 12 Tooth       |
| 47  | 148067 | Washer                    |
| 48  | 148069 | Bushing                   |
| 49  | 148141 | Bearing, Ball 6000U       |
| 50  | 148139 | Washer, 10                |
| 51  | 148140 | Bearing, Ball 6200        |
| 52  | 148137 | Shaft, Input              |
| 53  | 148146 | Screw, Self-Tapping       |
| 54  | 148144 | Case, Upper               |
| 55  | ---    | Grease                    |
| 56  | 148142 | Sealant                   |
| 57  | 148147 | Screw, Self-Tapping, Case |
| 58  | 148117 | Arm, Shift                |
| 59  | 148127 | Support, Upper, Clutch    |
| 60  | 148138 | Key, Woodruff             |
| 61  | 148133 | Pin, Snap 14              |

NOTE: All component dimensions given in U.S. inches  
1 inch = 25.4 mm