

MASTER PARTS MANUAL

ROTARY MOWERS

RALLY LAWN TRACTORS

MODELS:

M1118AR
M6187AR
M6517BR
M6538AR

L0239AR
L1219AR
L8218AR
L8218BR
L8218CR

few {
K8327AR
K8327BR
K8327CR

LA049AR
LA058AR
LA068AR

new. Football Exchange.

*Jeune de lames 71285
Courvois traction 75794
" tondeuse 69828*

LAWN AND GARDEN
POWER EQUIPMENT

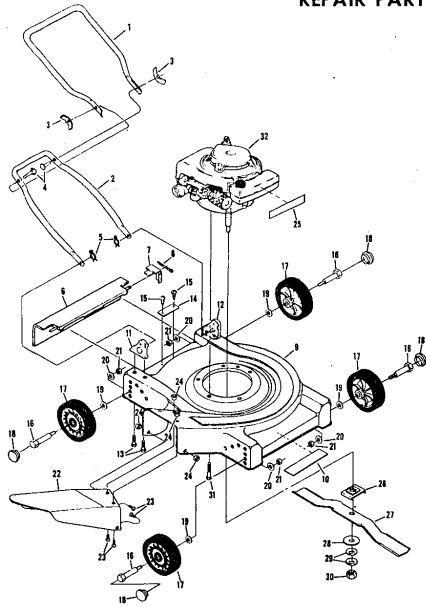
ROPER SALES CORP.

1905 WEST COURT STREET
KANKAKEE, ILLINOIS 60901

PRICE \$2.00
FEBRUARY 1, 1979

ROPER 20" 148 CC 3.5 H.P. ROTARY LAWN MOWER MODEL NUMBER M1118AR

REPAIR PARTS



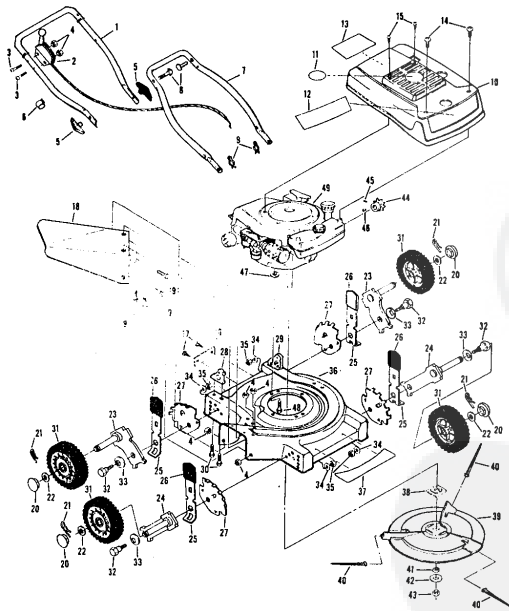
ROPER 20" 148 CC 3.5 H.P. ROTARY LAWN MOWER MODEL NUMBER M1118AR

REPAIR PARTS

Ref. No.	Part No.	Part Name	Ref. No.	Part No.	Part Name
1	64932	Handle - Upper	18	67360	Hub Cap (R.R.-L.R.-R.F.-L.F.)
2	62362	Handle - Lower	19	70080	Washer, Flat Steel .405-.860 X .250 (R.R.-L.R.-R.F.-L.F.)
3	67504	Wing Nut 5/16-18	20	54005	Washer, Flat Steel .405-.860 X .095 (R.R.-L.R.-R.F.-L.F.)
4	58714	Bolt, Handle 5/16-18 X 1 3/4	21	74400	Nut, Lock 3/8-16 (R.R.-L.R.-R.F.-L.F.)
5	51793	Hairpin Cutter - 3/4	22	67731	Discharge Guard
6	72502	Rear Skirt	23	69179	Screw, Machine #10-24 X 1/2
7	72393	Skirt Keeper	24	69100	Nut, Lock #10-24
8	63640	Cutter Pin - 3/4	25	75773	Decal - Fuel Tank
9	79262	Housing W/Silk Screening W/Decal (Incl. Ref. #10)	26	69226	Blade Flange Assembly
10	73221	Decal - Housing	27	69229	Blade
11	62886	Handle Bracket Assembly-Right	28	69385	Washer, Blade
12	62887	Handle Bracket Assembly-Left	29	54867	Washer, Spring (Ballville Type)
13	55187	Screw, Self-Tapping 5/16-18 X 3/4	30	51423	Nut, Nylon 5/8-18
14	75766	Number Plate	31	68205	Screw, Machine Hex Head W/Lock Washer 5/16-18 X 7/8
15	54562	Screw, Self-Tapping #10-24 X 3/8	32	75071	Engine-Model (LAV 25-40945L) (3.5 H.P.) (Tecumseh Products Company)
16	60838	Axle Bolt 3/8-16 (R.R.-L.R.-R.F.-L.F.)			Parts List - Owner's Manual
17	75071	Wheel and Tire Assembly-7" (R.R.-L.R.-R.F.-L.F.)	75768		

ROPER 20" WHIP STIK™ 164CC 4.0 H.P. POWER PROPELLED LAWN MOWER MODEL NUMBER M6187AR

REPAIR PARTS

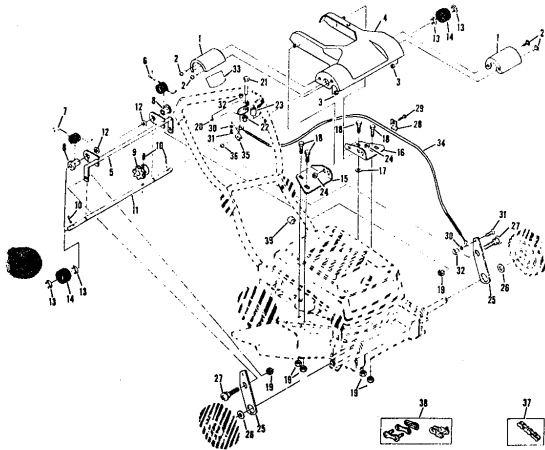


ROPER 20" WHIP STIK™ 164CC 4.0 H.P. POWER PROPELLED LAWN MOWER MODEL NUMBER M6187AR

Ref. No.	Part No.	Part Name	Ref. No.	Part No.	Part Name
1	75193	Handle - Upper	28	62886	Handle Bracket Assembly-Right
2	73445	Remote Control	29	62887	Handle Bracket Assembly-Left
3	69411	Screw, Machine Phillips #10-24 X 1 3/4	30	55187	Screw, Self-Tapping 5/16-18 X 3/4
4	69180	Nut, Lock #10-24	31	72425	Wheel and Tire Assembly-8" (R.R.-L.R.-R.F.-L.F.)
5	58715	Knob - Handle	32	64763	Bolt, Shoulder (Special) 3/8-16 (R.R.-L.R.-R.F.-L.F.)
6	38891	Cable Clip	33	62335	Washer, Belleville .500-1.10 X .082 (R.R.-L.R.-R.F.-L.F.)
7	62362	Handle - Lower	34	62333	Washer, Flat Steel .300-1.437 X .074 (R.R.-L.R.-R.F.-L.F.)
8	58714	Bolt, Handle 5/16-18 X 1 3/4	35	74400	Nut, Lock 3/8-16
9	51793	Hairpin Cutter - 3/4	36	79294	Housing W/Silk Screening W/Decal (Incl. Ref. #37)
10	79285	Engine Shroud Pack (Incl. Ref. #11,12,13)	37	75325	Decal - Housing
11	74779	Decal - Center	38	74654	Flange Assembly
12	73216	Decal - Shroud	39	74199	Pin Holder
13	74656	Decal - Engine Instruction	40	74334	Pin (Three required)
14	73322	Screw, Self-Tapping #8 X 3/4	41	74393	Spacer
15	68246	Screw, Self-Tapping 1/4-20 X 3/4	42	74456	Washer, Belleville .630-1.875 X .129
16	75215	Number Plate	43	51433	Nut, Nylon 5/8-18
17	54562	Screw, Self-Tapping #10-24 X 3/8	44	71851	Spracket 9 Tooth W/2 Set Screw (Incl. Ref. #45)
18	67731	Discharge Guard	45	52828	Set Screw 1/4-28 X 3/16
19	69179	Screw, Machine #10-24 X 1/2	46	52978	Key, Woodruff #5
20	67360	Hub Cap (R.R.-L.R.-R.F.-L.F.)	47	59289	Washer, Flat Steel .328-1 X .097 5/16-18 X 7/8
21	55015	Retainer Clip (R.R.-L.R.-R.F.-L.F.)	48	68205	Screw, Machine Hex Head 5/16-18 X 7/8
22	52160	Washer, Flat Steel .515-1 X .031 (R.R.-L.R.-R.F.-L.F.)	49		Engine-Model (LAV 40-50375D) (4.0 H.P.) (Tecumseh Products Company)
23	69474	Axle Arm Assembly (R.R.-L.R.-R.F.-L.F.)			Parts List - Owner's Manual
24	73632	Axle Arm Assembly (R.R.-L.R.-R.F.-L.F.)			
25	70683	Selector Spring (R.R.-L.R.-R.F.-L.F.)			
26	70685	Selector Knob (R.R.-L.R.-R.F.-L.F.)			
27	69478	Wheel Adjusting Bracket (R.R.-L.R.-R.F.-L.F.)	75218		

ROPER 20" WHIP STIK™ 164CC 4.0 H.P. POWER PROPELLED LAWN MOWER MODEL NUMBER M6187AR

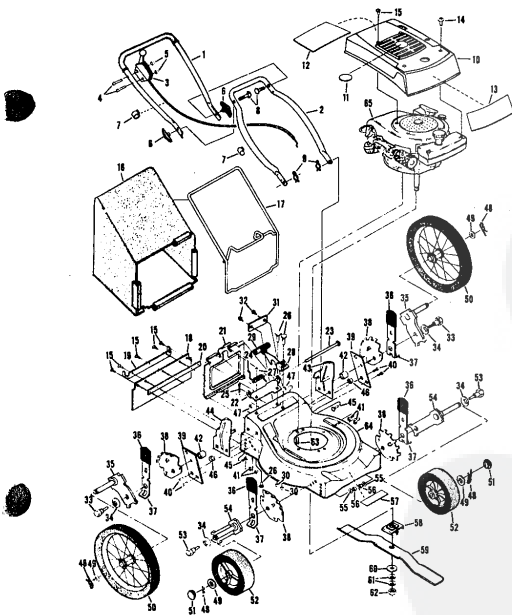
REPAIR PARTS



ROPER 20" WHIP STIK™ 164CC 4.0 H.P. POWER PROPELLED LAWN MOWER MODEL NUMBER M6187AR

Ref. No.	Part No.	Part Name	Ref. No.	Part No.	Part Name
1	73629	Drive Cover	22	72979	Nut, Shoulder (Special) 1/4-28
2	75136	Screw, Machine #10-24 X 1/2	23	73405	Spacer
3	53491	Nut, Lock #10-24	24	52365	E-Ring 3/8 Shaft
4	73787	Chain Cover Assembly	25	74162	Lower Link
5	73626	Yoke Assembly	26	74252	Washer, Flat Steel .531-1.187 X .148
6	73115	Spring - L.H.	27	73916	Bolt, Shoulder (Special) 1/4-20 X 3/4
7	73172	Spring - R.H.	28	73276	Retainer
8	73087	Bearing	29	55187	Screw, Self-Tapping 5/16-18 X 3/4
9	73696	Sprocket - 8 Tooth	30	74190	Spacer
10	52379	Spring Pin 3/16 X 1	31	57155	Screw, Machine #10-24 X 5/8
11	73628	Driven Shaft	32	69180	Nut, Lock #10-24
12	73928	Washer, Flat Steel .628-1.25 X .028	33	73442	Decal - Clutch
13	52364	E-Ring 5/8 Shaft	34	74158	Cable
14	67973	Driver	35	73755	Cable Clamp
15	75113	Pivot - R.H.	36	68662	Screw, Self-Tapping #10 X 7/8
16	75214	Pivot - L.H.	37	74787	Chain #65 (44 Pitch)
17	63128	Washer, Flat Steel .265-3/4 X .082	38	69472	Repair Link Kit (Incl. Offset and Connecting Link)
18	54395	Screw, Hex Head 1/4-20 X 5/8	39	58891	Cable Clip
19	74218	Nut, Lock 1/4-20			
20	74161	Lever			
21	72978	Bolt, Shoulder (Special) 1/4-28 X 1 5/8			

ROPER 20" HIGH WHEEL REAR BAGGER 4.0 H.P. ROTARY LAWN MOWER MODEL NUMBER M6517BR



ROPER 20" HIGH WHEEL REAR BAGGER 4.0 H.P. ROTARY LAWN MOWER MODEL NUMBER M6517BR

Ref. No.	Part No.	Part Name	Ref. No.	Part No.	Part Name
1	74678	Handle - Upper	37	70683	Selector Spring (R.F.-L.F.-R.R.-L.R.)
2	62262	Handle - Lower	38	69478	Wheel Adjusting Bracket (R.F.-L.F.-R.R.-L.R.)
3	73445	Remote Control	39	73712	Bracket Support (R.R.-L.R.)
4	69411	Screw, Machine Phillips #10-24 X 1 1/4	40	73403	Bolt, Hex Head 3/8-16 X 5/8 (R.R.-L.R.)
5	69180	Nut, Lock #10-24	41	51961	Nut, Lock 3/8-16 (R.R.-L.R.)
6	58715	Knob - Handle	42	73713	Spacer (R.R.-L.R.)
7	58891	Cable Clip	43	78992	Handle Bracket - L.H.
8	58714	Bolt, Handle 5/16-18 X 1 3/4	44	78991	Handle Bracket - R.H.
9	51792	Mainpin Cutter - 3/4	45	75156	Bolt, Carriage 5/16-18 X 1/2 (R.R.-L.R.)
10	79261	Engine Shroud Pack (Incl. Ref. #11, 12, 13)	46	74399	Nut, Lock 5/16 X 18
11	74640	Decal - Center	47	68478	Nut, Lock 5/16 X 18 (R.R.-L.R.)
12	74909	Decal - Engine Instruction	48	55015	Retainer Clip (R.R.-L.R.-R.F.-L.F.)
13	74960	Decal - Shroud	49	52160	Washer, Flat Steel .515-1 X .031 (R.R.-L.R.-R.F.-L.F.)
14	73322	Screw, Self-Tapping #8 X 3/4	50	73422	Wheel and Tire Assembly 14.00 X 1.75 (R.R.-L.R.)
15	68346	Screw, Self-Tapping 1/4-20 X 3/4	51	67360	Hub Cap
16	75362	Catcher Bag	52	75073	Wheel and Tire Assembly 8.00 X 1.75 (R.F.-L.F.)
17	72870	Catcher Frame	53	64763	Bolt, Shoulder 3/8-16 (Special) (R.F.-L.F.)
18	73874	Rear Skin	54	69474	Axle Arm Assembly (R.F.-L.F.)
19	73176	Catcher Support	55	62333	Washer, Flat Steel .300-.437 X .074 (R.F.-L.F.)
20	73061	Backing Strip	56	65543	Nut, Lock 3/8-16 (R.F.-L.F.)
21	72869	Rear Door	57	73221	Decal - Housing
22	72125	Hinge Bracket	58	69226	Blade Flange Assembly
23	73326	Hinge Rod	59	69229	Blade
24	72962	Spring	60	69385	Washer, Blade
25	65640	Cotter Pin - 5/64	61	54657	Washer, Spring (Bellville Type)
26	73383	Bolt, Carriage 1/4-20 X 5/8 (Special) (R.R.-L.R.)	62	51433	Nut, Nylok 5-18
27	65601	Nut, Lock 1/4-20	63	68205	Screw, Machine Hex Head W Lock Washer 5/16-18 X 7/8
28	72881	Catcher Latch (Incl. Ref. #29)	64	79258	Housing W/316 (With Decal) (Incl. Ref. #2)
29	68618	Knob	65		Engine-Model (LAV 40-50374D) (Tecumseh Products Co.) 4.0 H.P.
30	74218	Nut, Lock 1/4-20	75616		Parts List-Owner's Manual
31	75614	Number Plate			
32	54562	Screw, Self-Tapping #10-24 X 3/8			
33	73714	Bolt, Shoulder 5/16-18 (Special) (R.R.-L.R.)			
34	62335	Washer, Bellville .505-1.10 X .082 (R.R.-L.R.-R.F.-L.F.)			
35	73420	Axle Arm Assembly (R.R.-L.R.)			
36	70685	Knob-Selector (R.F.-L.F.-R.R.-L.R.)			

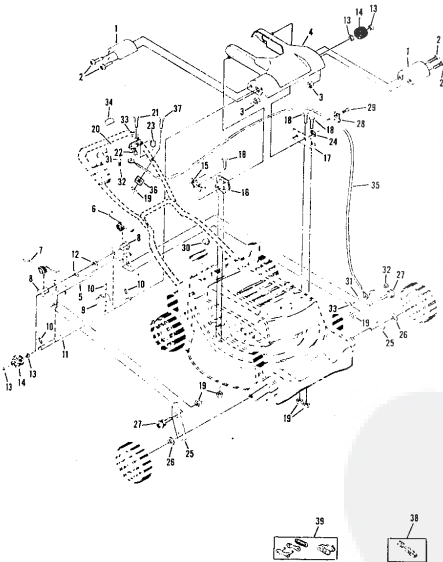
ROPER 20" REAR BAGGER 164CC 4.0 H.P. POWER-PROPELLED
LAWN MOWER MODEL NUMBER M6538AR **REPAIR PARTS**



ROPER 20" REAR BAGGER 164CC 4.0 H.P. POWER-PROPELLED **REPAIR PARTS**
LAWN MOWER MODEL NUMBER M6538AR

Ref. No.	Part No.	Part Name	Ref. No.	Part No.	Part Name
1	76468	Handle - Upper	36	72425	Wheel and Tire Assembly-8" (R.R.-L.R.-R.F.-L.F.)
2	73445	Remote Control	37	64763	Bolt, Shoulder (Special) 3/8-16 (R.R.-L.R.-R.F.-L.F.)
3	69411	Screw, Machine Phillips #10-24 X 1 3/4	38	62335	Washer, Belleville .505-1.10 X .062 (R.R.-L.R.-R.F.-L.F.)
4	69180	Nut, Lock #10-24	39	69474	Axle Arm Assembly (R.F.-L.R.)
5	52715	Knob - Handle	40	73632	Axle Arm Assembly (R.R.-L.R.-L.F.)
6	58891	Cable Clip	41	70683	Selector Spring (R.R.-L.R.-R.F.-L.F.)
7	62362	Handle - Lower	42	70685	Selector Knob (R.R.-L.R.-R.F.-L.F.)
8	52714	Bolt, Handle 5/16-18 X 1 3/4	43	69478	Wheel Adjusting Bracket (R.R.-L.R.-R.F.-L.F.)
9	51793	Mainpin Cutter - 3/4	44	78992	Handle Bracket Assembly-Left
10	79261	Engine Shroud Pack (Incl. Ref. #11,12,13)	45	78991	Handle Bracket Assembly-Right
11	74640	Decal - Center	46	75156	Bolt, Carriage 5/16-18 X 1/2 (R.R.-L.R.)
12	74960	Decal - Shroud	47	74399	Nut, Lock 5/16-18 (R.R.-L.R.)
13	74959	Decal - Engine Instruction	48	62333	Washer, Flat Steel .390-1.457 X .074 (R.R.-L.R.-R.F.-L.F.)
14	73262	Screw, Self-Tapping #8 X 3/4	49	74400	Nut, Lock 3/8-16 (R.R.-L.R.-R.F.-L.F.)
15	68546	Screw, Self-Tapping 1/4-20 X 3/4	50	79269	Housing W/Silk Screening W/Decal (Incl. Ref. #51)
16	75363	Catcher Bag	51	73221	Decal - Housing
17	72870	Catcher Frame	52	69226	Blade Flange Assembly
18	72883	Rear Skirt	53	69229	Blade
19	73061	Backing Strip	54	69285	Washer, Blade
20	73176	Catcher Support	55	54867	Washer, Spring (Belleville Type)
21	73845	Screw, Self-Tapping 1/4-20 X 1/2	56	51633	Nut, Nylok 5/8-16
22	72881	Catcher Latch (Incl. Ref. #23)	57	71851	Sprocket 9 Tooth W/2 Set Screw (Incl. Ref. #58)
23	68618	Knob	58	52826	Set Screw 1/4-28 X 3/16
24	73383	Bolt, Carriage 1/4-20 X 5/8	59	52978	Key, Woodruff #5
25	74218	Nut, Lock 1/4-20	60	68205	Screw, Machine Hex Head 5/16-18 X 7/8
26	75788	Number Plate	61		Engine-Model (LAV 40-50375D) (Tecumseh Products Company) (4.0 H.P.)
27	54562	Screw, Self-Tapping #10-24 X 3/8		75790	Parts List - Owner's Manual
28	72869	Rear Door			
29	73215	Hinge Bracket			
30	73326	Hinge Rod			
31	72962	Spring			
32	68640	Cutter Pin - 3/4			
33	67360	Hub Cap (R.R.-L.R.-R.F.-L.F.)			
34	55015	Retainer Clip (R.R.-L.R.-R.F.-L.F.)			
35	52160	Washer, Flat Steel .515-1 X .031 (R.R.-L.R.-R.F.-L.F.)			

ROPER 20" REAR BAGGER 164CC 4.0 H.P. POWER-PROPELLED **REPAIR PARTS**
LAWN MOWER MODEL NUMBER M6538AR

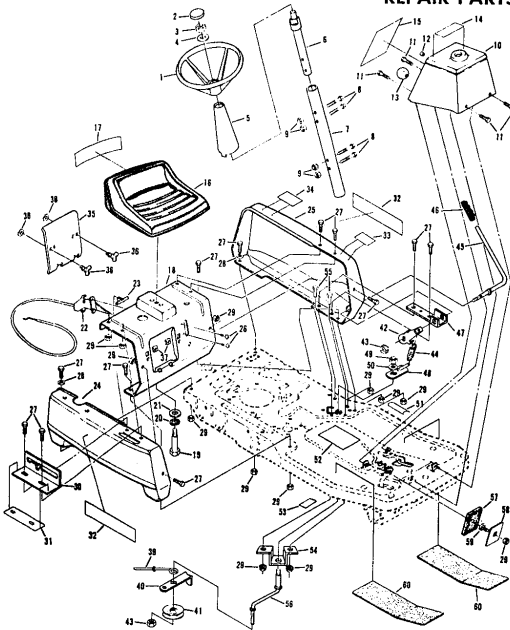


ROPER 20" REAR BAGGER 164CC 4.0 H.P. POWER-PROPELLED **REPAIR PARTS**
LAWN MOWER MODEL NUMBER M6538AR

Ref. No.	Part No.	Part Name	Ref. No.	Part No.	Part Name
1	73629	Drive Cover	22	72979	Nut, Shoulder (Special) 1/4-28
2	75136	Screw, Machine #10-24 X 1/2	23	73405	Spacer
3	53491	Nut, Lock #10-24	24	52365	E-Ring 3/8 Shaft
4	76335	Chain Cover Assembly	25	74162	Lower Link
5	73626	Yoke Assembly	26	74232	Washer, Flat Steel .531-1.187 X .148
6	73115	Spring - L.H.	27	73916	Bolt, Shoulder (Special) 1/4-20
7	73172	Spring - R.H.	28	73276	Retainer
8	73087	Bearing	29	55187	Screw, Self-Tapping 5/16-18 X 3/4
9	72696	Sprocket - 8 Tooth	30	58891	Cable Clip
10	52379	Spring Pin - 3/16 X 1	31	74190	Spacer
11	73628	Driven Shaft	32	57155	Screw, Machine 10-24 X 5/8
12	73928	Washer, Flat Steel .828 - 1.25 X .028	33	69180	Nut, Lock 10-24
13	52364	E-Ring 5/8 Shaft	34	73442	Decal - Clutch
14	67973	Driver	35	76406	Cable
15	75043	Pivot Adjusting Bracket	36	76370	Cable Clamp
16	74617	Pivot - R.H.	37	65131	Screw, Machine 1/4-20 X 1 1/2
17	74618	Pivot - L.H.	38	74787	Chain .65 (44 Pitches)
18	54395	Screw, Hex Head 1/4-20 X 5/8	39	60472	Repair Link Kit (Incl. Offset and Connecting Link)
19	74216	Nut, Lock 1/4-20			
20	74161	Lever			
21	72978	Bolt, Shoulder (Special) 1/4-28 X 1 5/8			

ROPER 32" REAR ENGINE RIDING LAWN MOWER ELECTRIC START 8.0 H.P. MODEL NUMBER K8327AR

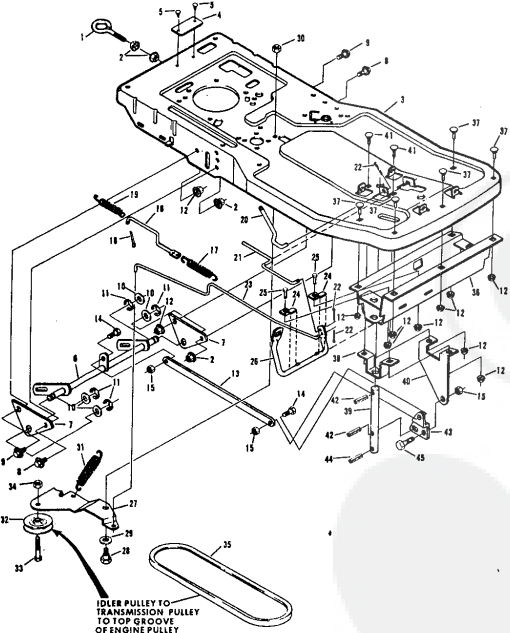
REPAIR PARTS



ROPER 32" REAR ENGINE RIDING LAWN MOWER ELECTRIC START 8.0 H.P. MODEL NUMBER K8327AR

Ref. No.	Part No.	Part Name	Ref. No.	Part No.	Part Name
1	74544	Steering Wheel	29	54922	Nut, Keps 5/16-18
2	74572	Insert Cap	30	74531	Shifter Gate
3	50830	Nut, Lock 1/2-20	31	74560	Decal - Shift
4	53632	Washer, Flat Steel .531-1 X .063	32	74601	Decal-Side Panel (L.H.-R.H.)
5	72705	Steering Shaft Cover	33	74561	Decal-Brake Control
6	74565	Steering Shaft - Upper	34	74512	Decal-Engine Area
7	74582	Steering Shaft Extension	35	72926	Battery Holder
8	69902	Bolt, Hex Head 1/4-20 X 1 1/4	36	73319	Wing Head Stud
9	63601	Nut, Lock 1/4-20	37	73320	Receptacle
10	74523	Console Assembly	38	73321	Split Ring
11	71263	Screw, Thread Cutting 5/16-18 X 1/2	39	72987	Blade Brake Rod
12	71673	Flange Cap	40	74544	Bolt Keeper
13	55862	Knob	41	53018	Idler Pulley
14	75122	Decal-Operating Instructions	42	74613	Spring Arm
15	74558	Decal-Instruction	43	51961	Nut, Lock 3/8-16
16	74563	Seat Assembly	44	75045	Spring
17	75070	Decal - Seat	45	74538	Blade Clutch Lever
18	74563	Front Panel	46	71246	Grip
19	72639	Bolt, Shoulder (Special) 1/2-13	47	74539	Handle Bracket
20	18810	Washer, Lock - 1/2"	48	75339	Control Arm Assembly
21	53034	Washer, Flat Steel .531-1.187 X .127	49	62336	Nut, Lock 3/8-16
22	74537	Remote Control Assembly (Incl. Ref. 123)	50	67510	Washer, Flat Steel .390-5/8 X .090
23	61159	Knob - Remote Control	51	74559	Decal-Enter and Exit
24	74534	Side Panel - R.H.	52	74557	Decal-Brake Instruction
25	74532	Side Panel - L.H.	53	68306	Decal-Clutch and Brake
26	68346	Screw, Self-Topping 1/4-20 X 3/4	54	74542	Idler Support Bracket
27	71949	Screw, Machine Hex Head 5/16-18 X 3/4	55	51630	Bolt, Carriage 5/16-18 X 3/4
28	52915	Washer, Flat Steel .328-1.125 X .063	56	74543	Idler Arm
			57	67665	Foot Pad
			58	67189	Foot Pedal Plate
			59	67613	Bolt, Carriage 5/16-18 X 3/4
			60	72384	Floor Board Pad

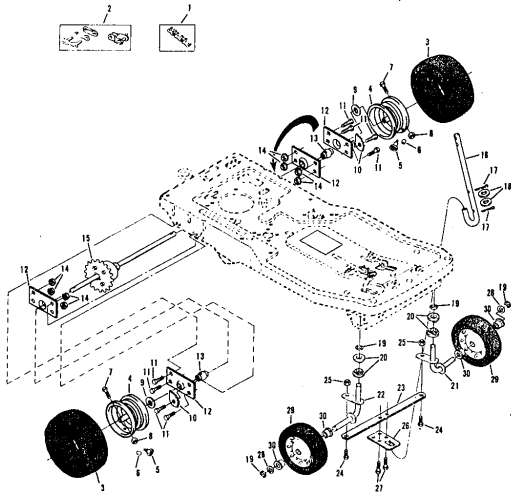
ROPER 32" REAR ENGINE RIDING LAWN MOWER ELECTRIC START 8.0 H.P. MODEL NUMBER K8327AR



ROPER 32" REAR ENGINE RIDING LAWN MOWER ELECTRIC START 8.0 H.P. MODEL NUMBER K8327AR

Ref. No.	Part No.	Part Name	Ref. No.	Part No.	Part Name
1	70530	Tow Hitch - Eyebolt	24	72360	Foot Pedal Clamp
2	55615	Nut, Keps 3/8-16	25	54262	Screw, Machine Hex W/Washer 5/16-18 X 5/8
3	74514	Chassis Assembly	26	72387	Foot Pedal
4	74524	Number Plate	27	67174	Motion Idler
5	61000	Plastic Rivet	28	58855	Bolt, Shoulder (Special) 5/16-24
6	75264	Lever Arm Assembly	29	67725	Washer, Flat Steel .531-1 X .134
7	75265	Side Bracket	30	54928	Nut, Lock 5/16-24
8	55912	Screw, Hex Head 3/8-16 X 3/4	31	73275	Spring - Idler
9	51630	Screw, Hex Head 5/16-18 X 3/4	32	58018	Pulley - Idler
10	53748	Washer, Flat Steel .640-1 X .063	33	55918	Screw, Hex Head 3/8-16 X 1 1/2
11	52364	E-Ring 5/8 Shaft	34	51961	Nut, Hex Lock 3/8-16
12	54922	Nut, Keps 5/16-18	35	67346	V-Belt
13	74545	Parallel Bar	36	72357	Front Member Assembly
14	67394	Bolt, Shoulder 5/16-18 X 3/4	37	72375	Lifter Bracket
15	63124	Nut, Lock 5/16-18	38	74516	Ballcrank Bracket
16	72386	Brake Rod - Rear	39	63079	Bolt, Carriage 5/16-18 X 1
17	64284	Spring	40	74572	Drive Lock Pin Type B
18	2947	Cotter Pin - 3/4	41	74522	Ballcrank
19	62355	Spring	42	73446	Drive Lock Pin Type P
20	74527	Lifter Handle	43	68475	Bolt, Shoulder 5/16-18 X 3/4
21	72361	Parking Brake Rod			
22	63640	Cotter Pin - 3/4			
23	72393	Motion Clutch and Brake Rod			

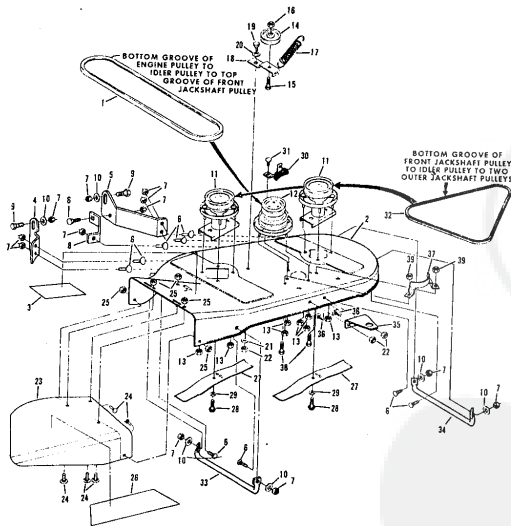
ROPER 32" REAR ENGINE RIDING LAWN MOWER ELECTRIC START 8.0 H.P. MODEL NUMBER K8327AR



ROPER 32" REAR ENGINE RIDING LAWN MOWER ELECTRIC START 8.0 H.P. MODEL NUMBER K8327AR

Ref. No.	Part No.	Part Name	Ref. No.	Part No.	Part Name
1	72818	Chain - 41 (82 Pitches)	17	2655	Cutter Pin - 1/8
2	60474	Repair Link Kit (Incl. Offset and Connecting Link)	18	57911	Washer, Flat Steel .640-1.250 X .063
3	70302	Tire - 13/8.00 X 4 (R.R.-L.R.)	19	53264	E-Ring 5/8 Shaft
4	70301	Rim (R.R.-L.R.)	20	71208	Bushing
5	65139	Valve Stem (R.R.-L.R.)	21	72401	Kingpin - L.H.
6	59192	Valve Cup (R.R.-L.R.)	22	72400	Kingpin - R.H.
7	67349	Bolt, Hex Head 5/16-18 X 1 5/8 (R.R.-L.R.)	23	73358	Tie Bar
8	67818	Nut, Lock 5/16-18 (R.R.-L.R.)	24	55855	Bolt, Shoulder (Special) 5/16-24 (R.F.-L.F.)
9	52966	Washer, Flat Steel .765-1.250 X .060 (R.R.-L.R.)	25	68990	Nut, Lock 5/16-24 (R.F.-L.F.)
10	67703	Chain Adjuster	26	72359	Steering Plate
11	51447	Screw, Hex Head 5/16-18 X 7/8 (R.R.-L.R.)	27	71063	Screw, Hex Head Thread Cutting 5/16-18 X 1/2
12	72382	Bearing Cup (R.R.-L.R.)	28	53848	Washer, Flat Steel .630-1 X .031
13	62346	Bearing (R.R.-L.R.)	29	67350	Wheel and Tire Assembly 10.50 X 3.50 (R.F.-L.F.) (Incl. Ref. #30)
14	54522	Nut, Keps 5/8-18 (R.R.-L.R.)			
15	73523	Differential Assembly (See Page 28)			
16	72547	Steering Shaft	30	64906	Bearing (R.F.-L.F.)

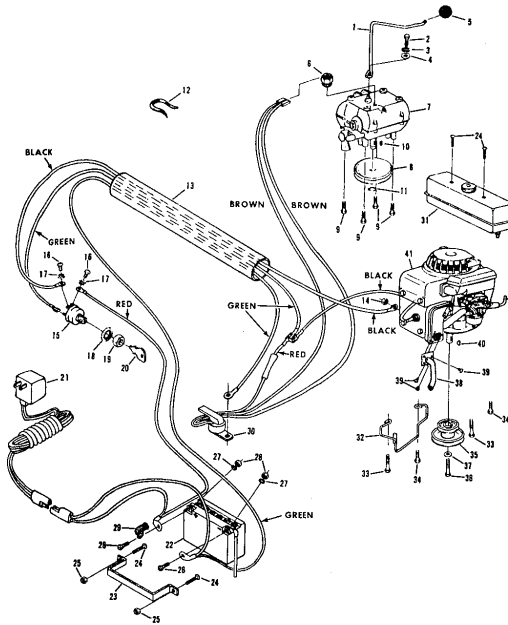
ROPER 32" REAR ENGINE RIDING LAWN MOWER ELECTRIC START 8.0 H.P. MODEL NUMBER K8327AR



ROPER 32" REAR ENGINE RIDING LAWN MOWER ELECTRIC START 8.0 H.P. MODEL NUMBER K8327AR

Ref. No.	Part No.	Part Name	Ref. No.	Part No.	Part Name
1	74212	V-Belt	20	67356	Washer, Flat Steel .630-1 X .050
2	79296	Housing W/Slit Screwing W/Decal (Incl. Ref. #3)	21	55611	Washer, Flat Steel .405-.860 X .172
3	75382	Decal - Housing	22	62336	Nut, Lock 3/8-16
4	74551	Housing Lifter - R.H.	23	71596	Discharge Guard
5	74552	Housing Lifter - L.H.	24	73383	Bolt, Carriage 1/4-20 X 5/8
6	59476	Bolt, Carriage 5/16-18 X 3/4	25	65001	Nut, Lock 1/4-20
7	63124	Nut, Lock 5/16-18	26	75085	Decal - Discharge Guard
8	74553	Strip	27	67405	Blade
9	58909	Bolt, Shoulder (Special) 5/16-18	28	67676	Screw, Machine Hex Head 3/8-24 X 7/8
10	50806	Washer, Flat Steel .328-.750 X .063	29	67354	Washer, Flat Steel .390-2.38 X .156
11	69542	Jackshaft Assembly - Driven	30	68107	Brake Assembly
12	69542	Jackshaft Assembly - Driven	31	73609	Bolt, Hex Head 3/8-16 X 5/8
13	55615	Nut, Keps 3/8-16	32	67398	V-Belt
14	67400	Idler Pulley	33	74548	Skid - R.H.
15	55918	Screw, Hex Head W/Lock Washer 3/8-16 X 1 1/2	34	74549	Skid - L.H.
16	51961	Nut, Lock 3/8-16	35	74550	Mower Support
17	67401	Spring	36	61306	Bolt, Carriage 3/8-16 X 3/4
18	67399	Idler Arm	37	67404	Bolt Knob
19	62361	Bolt, Shoulder (Special) 3/8-16	38	54982	Screw, Hex Head 5/16-18 X 3/4
			39	54922	Nut, Keps 5/16-18

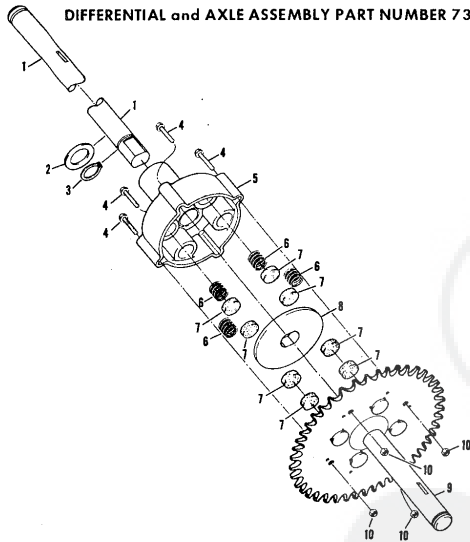
ROPER 32" REAR ENGINE RIDING LAWN MOWER ELECTRIC START 8.0 H.P. MODEL NUMBER K8327AR



ROPER 32" REAR ENGINE RIDING LAWN MOWER ELECTRIC START 8.0 H.P. MODEL NUMBER K8327AR

Ref. No.	Part No.	Part Name	Ref. No.	Part No.	Part Name
1	75266	Shift Lever	24	58609	Screw, Machine 1/4-20 X 5/8
2	75346	Bolt, Hex Head 1/4-28 X 1/2	25	63601	Nut, Lock 1/4-20
3	5081	Washer, Lock 1/4	26		Screw, Hex Head 1/4-20
4	53847	Washer, Flat Steel .265-.750 X .063	27		(Furnished With Battery Pack)
5	55862	Knob	28		Washer, Lock 1/4-20
6	74525	Switch - Transmission	29		(Furnished With Battery Pack)
7	794212	Knob	29	64422	Terminal Block
		Transmission Assembly Model 145-719 (See Pages 30 and 31)	30	74530	Switch - Relay Module
8	73541	Pulley - Transmission	31	74099	Fuel Tank
9	54262	Screw, Machine Hex Head 5/16-18 X 7/8	32	72392	Belt Keeper
10	58349	Key, Woodruff #9	33	74996	Screw, Thread Form 5/16-18 X 1
11	65302	Retainer Ring 5/8 Shaft	34	55187	Screw, Hex Head Topping 5/16-18 X 3/4
12	43174	Wire Tie	35	72398	Engine Pulley
13	74535	Wire Harness	36	68274	Screw, Machine 3/8-24 X 1 3/8
14	53490	Nut, Lock 1/4-20	37	62735	Washer, Flat Steel .375-1.250 X .201
15	72841	Ignition Switch (Incl. Ref. #16, 17, 18, 19, 20)	38	75063	Exhaust Tube
16	67756	Screw, #10-32 X .31	39	36462	Screw, #8 Type AB X 3/8
17	67757	Washer, Lock Internal Tooth #10	40	32859	Key, Woodruff #61
18	67758	Washer, Lock Internal Tooth 5/8	41		Engine Model-WM80-15010SD (Cummins Products Company) (8.0 H.P.)
19	67759	Nut, Hex 5/8-32		74569	Parts List - Owner's Manual
20	67760	Key Set (Pair)			
21	70452	Battery Charger			
22	70451	Battery Pack			
23	72706	Battery Strap			

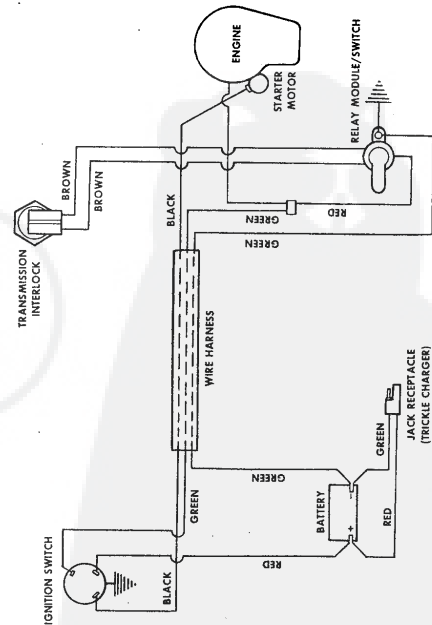
ROPER 32" REAR ENGINE RIDING LAWN MOWER ELECTRIC START 8.0 H.P. MODEL NUMBER K8327AR
DIFFERENTIAL and AXLE ASSEMBLY PART NUMBER 73523



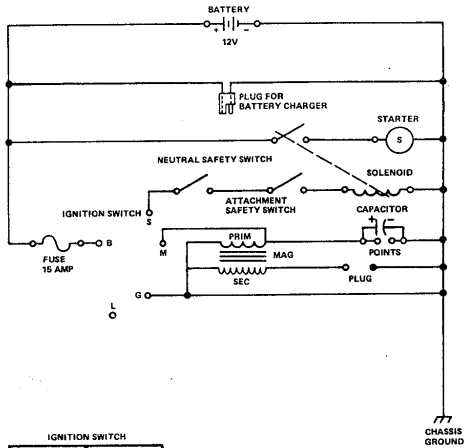
Ref. No.	Part No.	Part Name	Ref. No.	Part No.	Part Name
1	79099	Slip Axle	5	79022	Housing W/Bearings
2	78982	Washer, Thrust .751-1.250 X .0478	6	78979	Spring
3	35586	Retaining Ring	7	78978	Friction Block
4	79017	Screw, Machine Torx Washer Head 5/16-24 - 2	8	78976	Drive Disc
			9	79100	Fixed Axle Assembly
			10	79018	Nut, Lock 5/16-24

WIRING DIAGRAM

ROPER 32" REAR ENGINE RIDING LAWN MOWER ELECTRIC START 8.0 H.P. MODEL NUMBER K8327AR



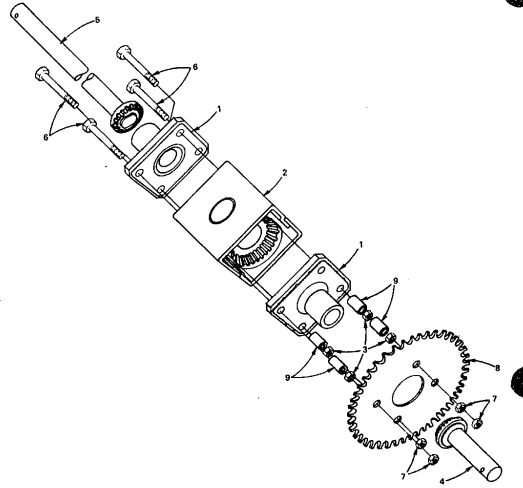
32" REAR ENGINE RIDING LAWN MOWER-MODEL NUMBER K8327BR
SCHEMATIC DIAGRAM



IGNITION SWITCH	
POSITION	CIRCUIT
OFF	M-G
ON	B-L
START	B-S

REPAIR PARTS

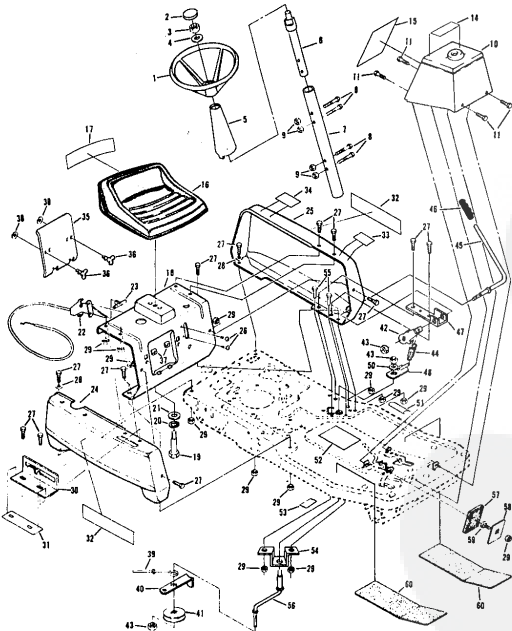
32" REAR ENGINE RIDING LAWN MOWER-MODEL NUMBER K8327BR
DIFFERENTIAL ASSEMBLY PART NUMBER 2112J



KEY NO.	PART NO.	DESCRIPTION
1	2308J	End Cap - Bearing Assembly
2	2305J	Transfer Gear Case Assembly
3	504P	Hex Nut - 5/16 - 18 UNC
4	2310J	Gear Shaft Assembly - Right
5	2311J	Gear Shaft Assembly - Left
6	338P	Hex Bolt (Plated) 5/16 - 18 x 4 - 1/2
7	575P	Locknut - Grippo 5/16 - 18 UNC (Plated)
8	2312J	Sprocket
9	2313J	Sprocket

REPAIR PARTS

32" REAR ENGINE RIDING LAWN MOWER-MODEL NUMBER K8327BR
STEERING AND ENCLOSURE GROUP



REPAIR PARTS

32" REAR ENGINE RIDING LAWN MOWER-MODEL NUMBER K8327BR
STEERING AND ENCLOSURE GROUP

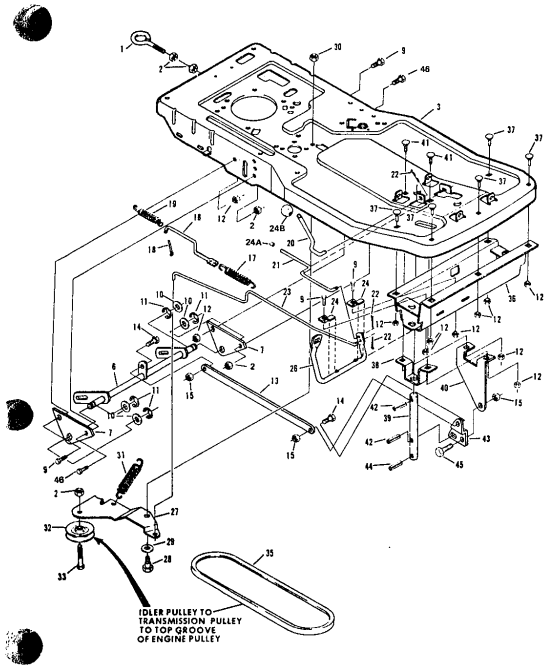
KEY NO.	PART NO.	DESCRIPTION	KEY NO.	PART NO.	DESCRIPTION
1	7456A	Steering Wheel	30	74531	Shifter Gate
2	1114J	Insert Cap	31	74560	Decal - Shift
3	588P	*Jam Nut 1/2 - 20 UNF	32	74601	Decal - Roper
4	1545P	Washer 17/32 x 1 x 16 Ga.	33	74501	Decal - Blade Control
5	72705	Steering Shaft Cover	34	74512	Decal - Engine Area
6	74505	Steering Shaft - Upper	35	72926	Battery Holder
7	74682	Steering Shaft Extension	36	73319	Wing Head Stud
8	3255P	*Bolt, Hex 1/4 - 20 x 1 - 1/4 G. 5	37	23220	Biscuitade
9	588P	Locknut with Washer Insert 1/4 - 20 UNC	38	73321	Split Ring
10	74523	Console Assembly	39	72987	Blade Brake Rod
11	3383P	Screw, Hex Thread Rolling 5/16 - 18 x 1/2	40	74544	Bolt Keeper
14	75122	Decal - Operating Instructions	41	53018	Idler Pulley
15	74558	Decal - Instruction	42	74513	Spring Arm
16	1498J	Seat	43	545P	*Locknut - Grippo 3.8 - 16 UNC
17	75070	Decal - Seat	44	75045	Spring
18	74563	Front Panel	45	74538	Blade Clutch Lever
19	72639	Bolt, Shoulder 1/2 - 13 UNC	46	71246	Grip
20	1002P	*Lockwasher 1/2	47	74539	Handle Bracket
21	1625P	Washer 17/32 x 1 - 3/16 x 12 Ga.	48	75330	Control Arm Assembly
22	1544J	Throttle Control (See Key No. 23)	50	1638P	Washer 13/32 x 7/8 x 6 Ga.
23	61159	Knob - Remote Control	51	74559	Decal - Enter and Exit
24	74534	Side Panel - R.H.	52	74557	Decal - Brake Instruction
25	74532	Side Panel - L.H.	53	376J	Decal - Clutch and Brake
26	5547P	*Screw, Phillips Thuss Hd. Thread Cut 1/4 - 20 x 3/4	54	74542	Idler Support Bracket
27	3386P	Screw, Hex Washer Hd. Machine 5/16 - 18 x 3/4	55	3010P	*Bolt, Hex 5/16 - 18 x 3/4
28	1625P	Washer 17/32 x 1 - 1/8 x 16 Ga.	56	74543	Idler Arm
29	575P	*Locknut - Grippo 5/16 - 18 UNC	57	67265	Foot Pad
			58	67189	Foot Pedal Plate
			59	67613	Bolt, Carriage 5/16 - 18 x 3/4 Special
			60	72384	Floor Board Pad
			...	2086J	Fact and Warranty Tag
			...	2016I	Owner's Manual

*STANDARD HARDWARE - PURCHASE LOCALLY

REPAIR PARTS

32" REAR ENGINE RIDING LAWN MOWER-MODEL NUMBER K8327BR

CHASSIS



REPAIR PARTS

32" REAR ENGINE RIDING LAWN MOWER-MODEL NUMBER K8327BR

CHASSIS

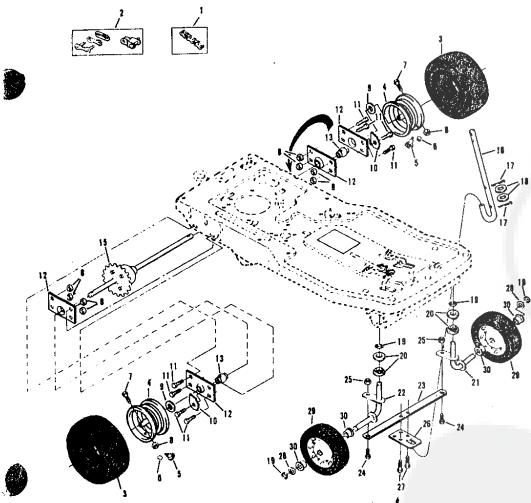
KEY NO.	PART NO.	DESCRIPTION	KEY NO.	PART NO.	DESCRIPTION
1	70530	Tow Hitch - Eyebolt	26	72387	Foot P.d.t
2	545P	*Locknut, Gripco 3/8 - 16 UNC	27	67374	Motion Filter
3	74914	Chassis	28	59595	Bolt, Shoulder 5/16 - 24 x 1/2
6	75254	Lever Arm Assembly	29	1628P	Washer 17/32 x 1 1/2 x 10 Ga.
7	75265	Side Bracket	30	588P	Nut, Nylok 5/16 - 24 UNF
9	3010P	*Bolt, Hex 5/16 - 18 x 3/4	31	2044J	Spring - Idler
10	1588P	Washer 21/32 x 1 x 16 Ga.	32	63018	Pulley - Idler
11	5001P	E-Ring	33	6066P	Bolt, Hex with Sems Lockwasher 3/8 - 16 x 1 - 1/2
12	563P	*Locknut, Gripco 5/16 - 18 UNC Gr. B	35	67346	Front Member Assembly
13	74545	Parallel Bar	36	72357	*Bolt, Carriage 5/16 - 18 x 3/4 Gr. 5
14	67394	Bolt, Shoulder 5/16 - 18 x 3/4	37	67P	Lifter Bracket
15	588P	Locknut, Nylok 5/16 - 18 UNC	38	72375	Spring
16	73798	Brake Rod - Rear	39	74516	Housing Lifter
17	64284	Spring	40	74515	Bolt, Carriage 5/16 - 18 x 1 Gr. 5
18	2003P	*Cotter Pin 3/32 x 3/4	41	68P	Driver Lock Pin - Type B
19	62755	Spring	42	74530	Drive Lock Pin - Type F
20	74521	Lifter Handle	43	74522	Belt Link
21	72361	Parking Brake Rod	44	73446	Drive Lock Pin Type F
22	63640	Cotter Pin 5/64 x 3/8	45	68475	Bolt, Shoulder 5/16 - 18 x 3/4
23	72393	Motion Clutch and Brake Rod	46	3021P	Bolt, Hex 3/8 - 16 x 3/4
24	72360	Flange Cap			
24A	71823	Flange Cap			
24B	55862	Knob			

*STANDARD HARDWARE - PURCHASE LOCALLY

REPAIR PARTS

32" REAR ENGINE RIDING LAWN MOWER-MODEL NUMBER K8327BR

WHEEL GROUP



REPAIR PARTS

32" REAR ENGINE RIDING LAWN MOWER-MODEL NUMBER K8327BR

WHEEL GROUP

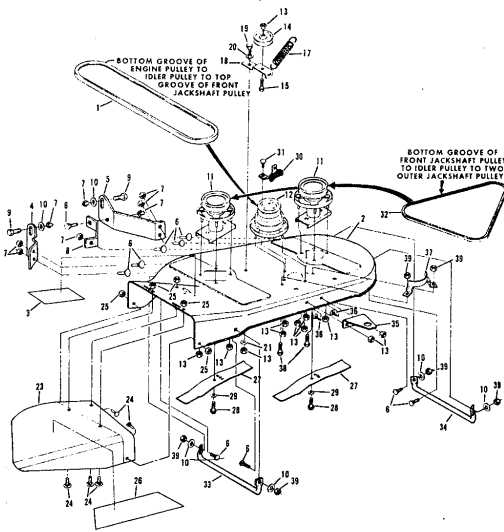
KEY NO.	PART NO.	DESCRIPTION	KEY NO.	PART NO.	DESCRIPTION
1	72818	Chain	16	72547	Steering Shaft
2	80474	Repair Link Kit (Inc. Offset and Connecting Link)	17	2606P	*Cotter Pin 1/8 x 1
3	70302	Tire 13 - 6.00 x 6	18	1628P	Washer 21/32 x 1 - 1/4 x 16 Ga.
4	70301	Rim - Rear	19	5001P	E-Ring
5	65138	Valve Stem	20	71208	Bearing
6	59192	Valve Cap	21	72401	Kingspin - L.H.
7	5386P	*Bolt, Hex 5/16 - 18 x 1 - 5/8 Gr. 5	22	72400	Kingspin - R.H.
8	653P	*Locknut, Gripco 5/16 - 18 UNC Gr. B	24	56855	Bolt, Shoulder - Special 5/16 - 24
9	1617P	Washer 25/32 x 1 - 1/4 x 16 Ga.	25	562P	Locknut, Hex with Washer Insert 5/16 - 24 UNF
10	67703	Chain Adjuster	26	72359	Steering Plate
11	6067P	Bolt, Hex with Sems Lockwasher 5/16 - 18 x 1	27	3390B	Screw, Thread Rolling 5/16 - 18 x 1/2
12	72382	Bearing Cup	28	1630P	Washer 21/32 x 1 x 21 Ga.
13	62346	Bearing	29	67350	Wheel and Tire Assembly 11.00 x 4.00 (Inc. Key No. 30)
15	2112J	Differential Assembly	30	64906	Bearing

*STANDARD HARDWARE - PURCHASE LOCALLY

REPAIR PARTS

32" REAR ENGINE RIDING LAWN MOWER-MODEL NUMBER K8327BR

MOWER



REPAIR PARTS

32" REAR ENGINE RIDING LAWN MOWER-MODEL NUMBER K8327BR

MOWER

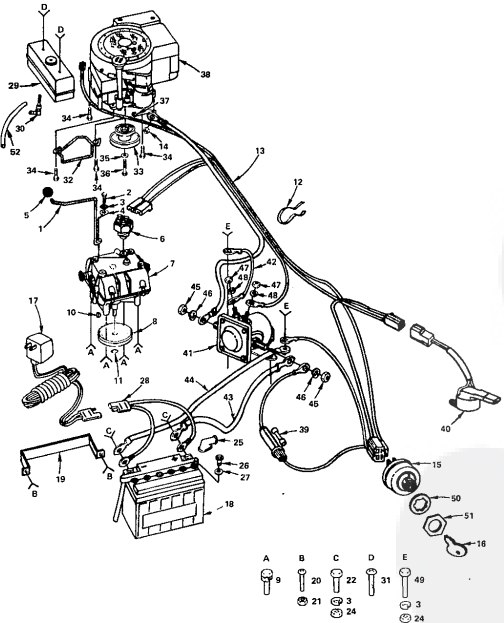
KEY NO.	PART NO.	DESCRIPTION	KEY NO.	PART NO.	DESCRIPTION
1	74212	V-Belt	21	1622P	Washer, 13/32 x 7/8 x 7 Ga.
2	75203	Housing with Silk Screening	22	71596	Discharge Guard
3	75382	Decal - Outer Head	24	70P	*Bolt, Carriage 1/4 - 20 x 3/4 Gr. 5
4	74551	Housing Lifter - R.H.	25	560P	Locknut, Gripco 1/4 - 20 UNC
5	74552	Housing Lifter - L.H.	26	75085	Decal - Discharge Guard
6	69P	*Bolt, Carriage 5/16 - 18 x 3/4 Gr. 5	27	67405	Blade
7	690P	Locknut, Nylon 5/16 - 18 UNC	28	6000P	Screw, Hex Machine w/Semis Lockwasher
8	74553	Strap	29	1631P	Nylon Patch 3/8 - 24 x 7/8 Gr. 5
9	58908	Bolt, Shoulder - Special	30	88107	Washer, 13/32 x 2 - 3/8 x 10 Ga.
10	58908	*Washer 11/32 x 3/4 x 16 Ga.	31	88107	Brake Assembly
11	71623	Jackshaft Assembly - Driven	32	3021P	*Bolt, Hex 3/8 - 16 x 3/4
12	6925	Jackshaft Assembly - Driver	33	74548	V-Belt
13	545P	Locknut, Gripco 3/8 - 16 UNC	34	74548	Skid - R.H.
14	67400	Idler Pulley	35	74549	Skid - L.H.
15	6066P	Bolt, Hex with Semis Lockwasher 3/8 - 18 x 1 - 1/2	36	74550	Mower Support
16	6066P	Bolt, Hex with Semis Lockwasher 3/8 - 18 x 1 - 1/2	37	19P	*Bolt, Carriage 3/8 - 16 x 3/4
17	67401	Spring	38	8052P	Screw, Hex Head with Semis Lockwasher 5/16 - 18 x 3/4
18	67389	Idler Arm	39	553P	Washer - Special
19	62361	Bolt, Shoulder - Special			
20	67356	Washer - Special			

*STANDARD HARDWARE-PURCHASE LOCALLY

REPAIR PARTS

32" REAR ENGINE RIDING LAWN MOWER-MODEL NUMBER K8327BR

ELECTRICAL



REPAIR PARTS

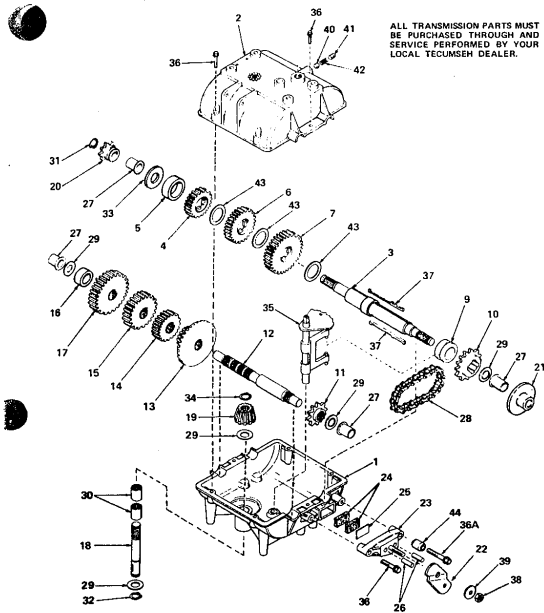
32" REAR ENGINE RIDING LAWN MOWER-MODEL NUMBER K8327BR

ELECTRICAL

KEY NO.	PART NO.	DESCRIPTION	KEY NO.	PART NO.	DESCRIPTION
1	75266	Shift Lever	28	600J	Charger Plug Assembly
2	5386P	Bolt, Hex 1/4 - 28 x 1/2 Gr. 5	29	742J	Fuel Tank
3	1002P	Lockwasher 1/4	30	730J	Fuel Tank Elbow
4	1907P	Washer 9/32 x 3/4 x 16 Ga.	31	3368P	Screw, Trans Hd. Phillips 1/4 - 20 x 5/8
5	6562	Knob	32	677A201	Belt Keeper Assembly
6	74925	Switch - Transmission	33	2188J	Engine Pulley
7	194122A	Transmission Assembly (718A)	34	5606P	Screw, Hex Hd. Thd. Rolling 3/8 - 18 x 1 - 1/2
8	73641	Pulley - Transmission	35	1634P	Washer 3/8 x 1 - 1/4 x 7 Ga.
9	6066P	Bolt w/Semis Lockwasher 5/16 - 18 x 5/8	36	6070P	Screw, Hex Hd. w/Semis Lockwasher 3/8 - 24 x 1 - 3/8 Nylon Patch Gr. 5
10	58349	Key, Woodruff No. 9	37	65053	Key, Woodruff No. 5
11	65302	Retaining Ring	38	191705	Engine, 8 H.P. Briggs & Stratton Type No. 564701
12	43174	Wire Tie	39	63478	Fuse - 30 Amp.
13	2261J	Wire Harness	40	2053J	Safety Switch
14	63490	Locknut 1/4 - 20	41	7754R	Solenoid
15	4408R	Ignition Switch	42	8021R	Wire, Solenoid Ground
16	7952H	Key	43	665J	Cable Assembly (Battery to Solenoid)
17	70452	Battery Charger	44	2058J	Cable Assembly (Battery to Ground)
18	70451	Battery Pack	45	585P	Nut, Hex 5/16 - 24 UNF
19	72708	Battery Strap	46	1007P	Lockwasher 5/16
20	3397P	Screw, Trans Hd. Phillips 1/4 - 20 x 1/2	47	545P	Nut, Hex No. 10 - 32
21	988P	Locknut, 1/4 - 20 UNC w/Washer Inset	48	1006P	Lockwasher No. 10
22	3114P	Screw, Hex Head 1/4 - 20 x 1/2 (Furnished w/Battery Pack)	49	3003P	Bolt, Hex 1/4 - 20 x 3/4
24	605P	Hex Nut 1/4 - 20	50	67158	Lockwasher, Internal Tooth 5/8
25	718J	Terminal Boot	51	67759	Nut 5/8 - 32 UNF
26	2223J	Cap - Battery	52	2316J	Fuel Line
27	2224J	Gasket - Battery			

REPAIR PARTS

32" REAR ENGINE RIDING LAWN MOWER-MODEL NUMBER K8327BR
TRANSMISSION MODEL NUMBER 719A



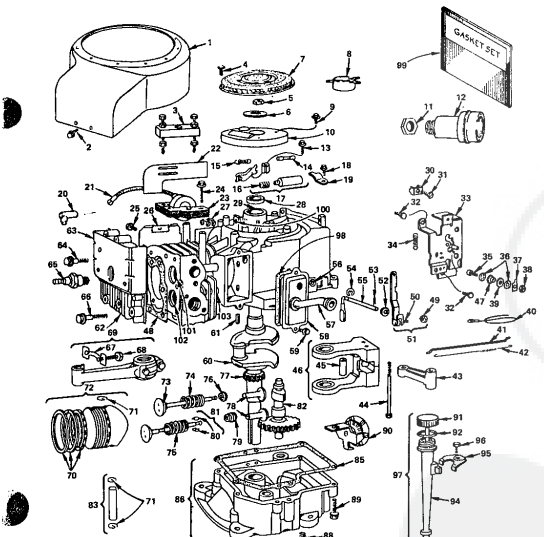
REPAIR PARTS

32" REAR ENGINE RIDING LAWN MOWER-MODEL NUMBER K8327BR
TRANSMISSION MODEL NUMBER 719A

KEY NO.	PART NO.	DESCRIPTION	KEY NO.	PART NO.	DESCRIPTION
1	794212A	Complete Transmission (719A)	25	39007	Plate, Brake pad
2	770061	Case, Transmission	26	78026	Pin, Dowel
3	775070	Shaft, Output and Brake	27	78005	Bushing, Flanged
4	776122	Gear, Spur (20 teeth)	28	76081	Chain, Roller (No. 41 chain, 24 links)
5	785027	Screw, Washer	29	780072	Race, Thrust
6	776123	Gear, Spur (25 teeth)	30	39106	Bearing, Needle
7	776124	Gear, Spur (30 teeth)	31	792072	Ring, Retaining
8	754706	Collar, Shaft	32	78006	Ring, Retaining
9	784706	Sprocket (18 teeth)	33	780109	Washer
10	784803	Sprocket (18 teeth)	34	788490	Ring, Retaining
11	785082	Sprocket (18 teeth)	35	784270	Head & Fork Assy., Shift
12	776134	Shaft, Counter	36	782073	Screw, Hex hd, tapite, 1/4" x 2-1/4"
13	723109	Gear, Sprocket (42 tooth and 15 tooth spur gear)	36A	792085	Screw, Hex hd, tapite, 1/4" x 2-1/4"
14	776126	Gear, Spur (20 teeth)	37	792089A	Key
15	776127	Gear, Spur (25 teeth)	38	782075	Nut, 5/16" x 24 lock
16	788071	Sprocket	39	792076	Washer, Flat, 5/16"
17	776129	Gear, Spur (30 teeth)	40	782077	Ball, Steel, 5/16"
18	776135	Shaft, Input	41	792078	Screw, Set, 5/16" x 3/8"
19	776133	Sprocket, Input	42	792079	Spring
20	786047	Sprocket (18 teeth)	43	780106	Washer, Thrust
21	795004	Link, Brake	44	786007	Sprocket
22	795005	Lever, Brake			
23	790005	Holder, Brake pad			
24	790006	Pad, Brake			

REPAIR PARTS

32" REAR ENGINE RIDING LAWN MOWER-MODEL NUMBER K8327BR
BRIGGS & STRATTON 8 H.P. ENGINE-MODEL NO. 191705, TYPE NO. 5647-01
CYLINDER, CRANKSHAFT AND ENGINE BASE GROUP



REPAIR PARTS

32" REAR ENGINE RIDING LAWN MOWER-MODEL NUMBER K8327BR
BRIGGS & STRATTON 8 H.P. ENGINE-MODEL NO. 191705, TYPE NO. 5647-01
CYLINDER, CRANKSHAFT AND ENGINE BASE GROUP

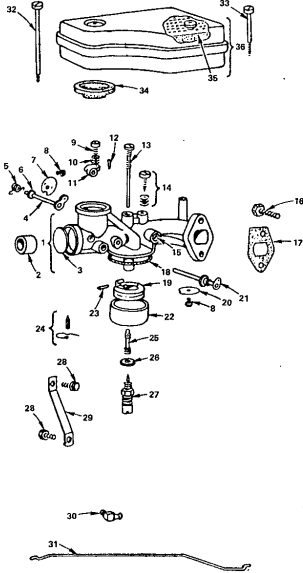
KEY NO.	PART NO.	DESCRIPTION	KEY NO.	PART NO.	DESCRIPTION
1	391379	Housing - Blower	61	61760	Key - Flywheel
2	93188	Screw - Set	62	21286	Cylinder Head
3	18105	Pin - Flywheel	63	222536	Cover - Cylinder Head
4	93805	Screw - Set	64	63211	Screw - 2, 21/32"
5	92284	Nut - Flywheel	65	282918	Spark Plug Resistor
6	220855	Washer - Spring	65	63222	Screw - 3"
7	222502	Screws - Flush Retaining	67	222114	Lock - Connecting Rod Screw
8	222501	Cup - Screen Mfg	68	82559	Screw - Connecting Rod
9	93705	Screw - Set	69	390402	Rod Assy. - Connecting
10	222117	Cover - Breaker Point	70	391699	(Inc. Key No's. 67 & 68)
11	91242	Locknut - Muffler	70	391670	RING SET - PISTON - Std.
12	393010	Muffler - Exhaust	70	391671	.010 Oversize
13	93381	Screw - Breaker Arm	70	391672	.020 Oversize
14	65704	Plunger - Breaker Point	70	391673	.030 Oversize
15	26018	Spring - Breaker Arm	71	68546	Lock - Piston Pin
16	260374	Spring - Connector	71	391674	Piston Assy. (Inc. Key No's. 70 & 71)
17	294029	Breaker Point & Condenser (Inc. Key No's. 15 & 16)	72	391675	.010 Oversize
18	93042	Screw - Set	72	391676	.020 Oversize
19	226477	Clamp - Condenser	72	391677	.030 Oversize
20	65538	Elbow - Spark Plug	73	261095	Intake Valve
21	221798	Terminal - Ignition Cable	74	65906	Spring - Intake Valve
22	221760	Guide - Air	75	28278	Spring - Exhaust Valve
23	298968	Armature Assy.	76	221586	Retainer - Intake Valve
24	93391	Screw - Armature	77	281195	Retainer - Exhaust Valve
25	93163	Screw - Set	78	260622	Tapset - Valve
26	222830	Shaft - Cylinder	79	282260	Rotocoil - Exhaust Valve
27	221907	Clip - Wire	80	93030	Retainer - Exhaust Valve
28	294606	Oil Seal	80	390419	Exhaust Valve (Inc. Key No. 80)
29	393075	Cylinder Assembly	82	211689	Gear - Cam
30	221535	Clamp - Casing	83	295640	Pin Assy. - Piston (Inc. Key No. 71)
31	93496	Screw - Set	85	295641	Pin Assy. - Piston (005 Oversize)
32	93572	Screw	85	27750	Gasket - Crankcase Cover - 1/64" thick
33	390662	Plate - Governor Control	85	27876	Gasket - Crankcase Cover - .005" thick
34	291306	Spring - Governor	85	27877	Gasket - Crankcase Cover - .008" thick
35	91920	Screw - Terminal	86	29616	Oil Sump (Inc. Key No's. 85 and 87)
36	92761	Lockwasher	87	298423	Oil Seal
37	93722	Terminal - Spade	88	91084	Plug - Oil Drain
38	90576	Hex Nut No. 8, 32	89	93585	Screw - Set
39	66068	Washer - Insulating	90	392119	Oil Strainer - Governor
40	299500	Wire - Ground	91	391840	Cap & Dipstick - Oil Filler
41	359971	Link - Governor	92	27020	Seal - Filler Cap
42	260584	Spring - Governor Link	93	68828	Seal - Filler Tube
43	212259	Link - Counterweight	94	261133	Tube - Oil Filler
44	93874	Screw - Counterweight	95	222402	Clamp - Oil Filler Tube
45	280709	Pin - Counterweight	96	93804	Screw - Clamp Mfg
46	390172	Counterweight Assy.	97	392065	Filter Group - Oil (Inc. Key No's. 91, 92, 93, 94, 95 & 96)
47	85554	Collar - Insulating	98	27802	Gasket - Valve Cover
48	279430	Gasket - Cylinder Head	99	299577	Gasket Set
49	231082	Hex Nut No. 10 - 24	100	22513	Bushing - Plunger
50	92613	Ball - Governor Lever	101	211681	Seal - Intake Valve (Std.)
51	391733	Lever Assy. - Governor (Inc. Key No's. 49 & 50)	102	211681	Seal - Exhaust Valve (Std.)
52	222450	Washer - Governor Lever	103	236665	Guide - Exhaust Valve
53	83308	Otter - Hair Pin			
54	93207	Retainer - O-Ring			
55	231058	Crank - Governor			
56	231055	Bushing - Governor Crank			
57	280025	Breather Tube			
58	391405	Breather Assy.			
59	93536	Set Screw			
60	391577	Crankshaft			

ALL ENGINE PARTS MUST BE PURCHASED THROUGH AND SERVICE PERFORMED BY YOUR LOCAL BRIGGS AND STRATTON DEALER.

*INCLUDED IN GASKET SET 299577
SPARK ARRESTER ASSEMBLY (OPTIONAL)
391913 Spark Arrester
222537 Deflector
93705 Screw (H required)

REPAIR PARTS

32" REAR ENGINE RIDING LAWN MOWER-MODEL NUMBER K8327BR
BRIGGS & STRATTON 8 H.P. ENGINE-MODEL NO. 191705, TYPE NO. 5647-01
CARBURETOR NUMBER 390811



ALL ENGINE PARTS MUST BE PURCHASED THROUGH AND SERVICE PERFORMED BY YOUR LOCAL BRIGGS AND STRATTON DEALER.

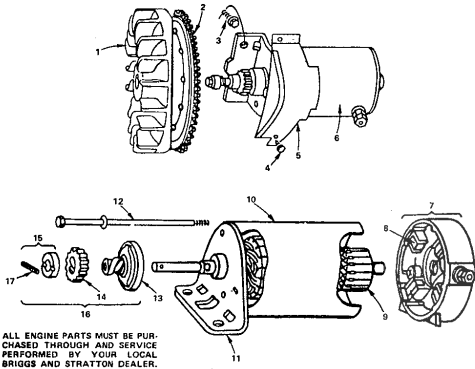
REPAIR PARTS

32" REAR ENGINE RIDING LAWN MOWER-MODEL NUMBER K8327BR
BRIGGS & STRATTON 8 H.P. ENGINE-MODEL NO. 191705, TYPE NO. 5647-01
CARBURETOR NUMBER 390811

KEY NO.	PART NO.	DESCRIPTION	KEY NO.	PART NO.	DESCRIPTION
1	209851	Body Ass'y. (Includes Key No. 3)	21	391512	Shaft & Lever - Throttle
2	211852	Venturi - Carburetor	22	221997	Bowl - Float
3	221997	*Plug - Welch	23	230806	*Pin - Float Hinge
4	390684	Shaft and Lever - Choke	24	390686	*Valve - Fuel Inlet
5	261116	Spring - Choke Return	25	230332	*Screw - Nozzle
6	270382	Washer - Choke Shaft	26	220214	*Washer - Float Bowl
7	220310	Valve - Choke	27	381235	*Valve - Needle
8	93499	Screw - Sem	28	93572	Screw
9	91920	Screw - Fil. Hd. Mach. No. 8 - 32 x 5/8	29	220237	Bracket - Carburetor
10	26157	Spring - Throttle Adjustment	30	67219	Connector - Fuel Pipe
11	211712	Stop - Throttle	31	261117	Link - Choke
12	93043	Pin - Throttle Stop	32	93233	Screw - Air Cleaner
13	299740	*Nozzle - Carburetor	33	93822	Screw - Air Cleaner
14	292681	*Valve Ass'y. - Carb. Idle	34	270539	Gasket - Air Cleaner
15	23108	Bushing - Throttle Shaft	35	270528	Element - Air Cleaner
16	93297	Screw - Carburetor Mtg.	36	391599	Air Cleaner Ass'y. (Inc. Key No. 35)
17	270824	*Gasket - Carburetor Mtg.	299852	299852	Carburetor Overhaul Kit (Inc. Parts Marked *)
18	260511	Float - Carburetor	390811	390811	Carburetor Assembly
19	299707	Valve - Throttle			
20	221986	Valve - Throttle			

REPAIR PARTS

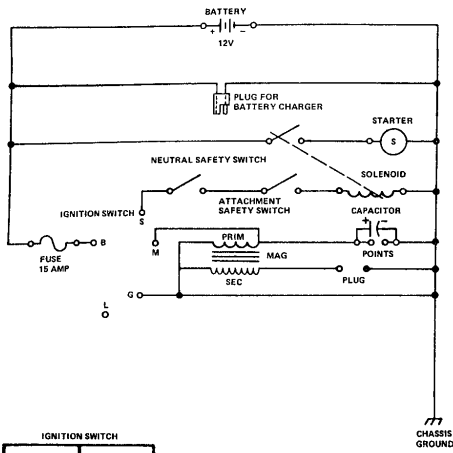
32" REAR ENGINE RIDING LAWN MOWER-MODEL NUMBER K8327BR
BRIGGS & STRATTON 8 H.P. ENGINE-MODEL NO. 191705, TYPE NO. 5647-01
FLYWHEEL AND STARTER MOTOR GROUP



ALL ENGINE PARTS MUST BE PURCHASED THROUGH AND SERVICE PERFORMED BY YOUR LOCAL BRIGGS AND STRATTON DEALER.

KEY NO.	PART NO.	DESCRIPTION
1	392034	Flywheel and Ring Gear Ass'y.
2	392134	Gear - Ring
3	93523	Screw - Sem
4	93410	Screw - Sem
5	390233	Cover & Shield - Starter
6	392749	Motor, Starter (Inc. Key No's. 7 thru 17)
7	392646	End Cap Ass'y., Commutator (Inc. Key No. 8)
8	391706	Brush Ass'y.
9	392747	Armature Ass'y.
10	392744	Housing Ass'y.
11	392063	End Cap Ass'y., Drive
12	391706	Thru Bolt Ass'y.
13	391195	Clutch Ass'y.
14	280104	Gear
15	391462	Retainer & Pin (Inc. Key No. 17)
16	391461	Drive Ass'y. (Inc. Key No's. 13, 14 & 15)
17	93754	Roll Pin

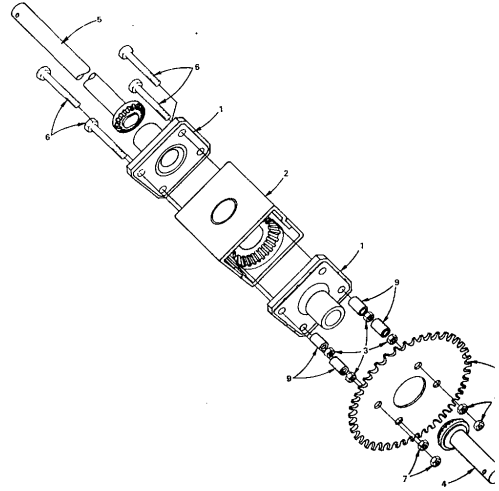
32" REAR ENGINE RIDING LAWN MOWER-MODEL NUMBER K8327CR
SCHEMATIC DIAGRAM



IGNITION SWITCH	
POSITION	CIRCUIT
OFF	M-G
ON	B-L
START	B-S

REPAIR PARTS

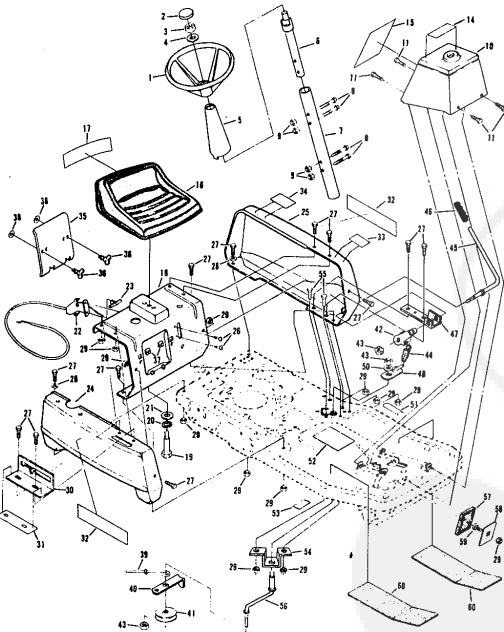
32" REAR ENGINE RIDING LAWN MOWER-MODEL NUMBER K8327CR
DIFFERENTIAL ASSEMBLY PART NUMBER 2112J



KEY NO.	PART NO.	DESCRIPTION
1	2308J	End Cap - Bearing Assembly
2	2308J	Transfer Gear Case Assembly
3	504P	Hex Nut - 5/16 - 18 UNC
4	2310J	Gear Shaft Assembly - Right
5	2311J	Gear Shaft Assembly - Left
6	3280P	Hex Bolt (Plated) 5/16 - 18 x 4 - 1/2
7	575P	Locknut - Gripco 5/16 - 18 UNC (Plated)
8	2312J	Sprocket
9	2313J	Spacer - Sprocket

REPAIR PARTS

32" REAR ENGINE RIDING LAWN MOWER-MODEL NUMBER K8327CR
STEERING AND ENCLOSURE GROUP



REPAIR PARTS

32" REAR ENGINE RIDING LAWN MOWER-MODEL NUMBER K8327CR
STEERING AND ENCLOSURE GROUP

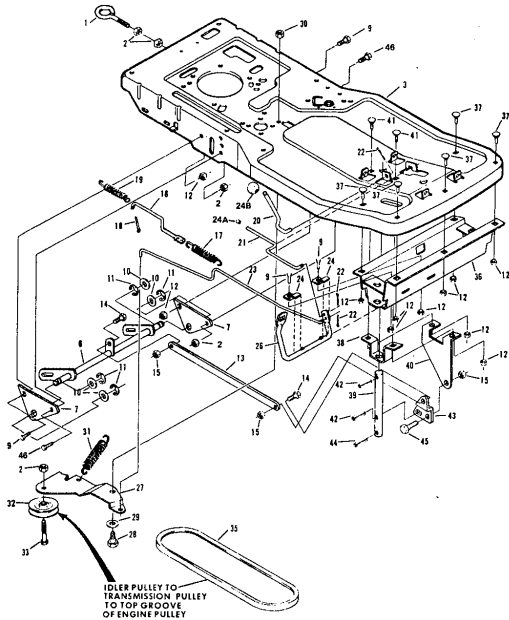
KEY NO.	PART NO.	DESCRIPTION	KEY NO.	PART NO.	DESCRIPTION
1	74564	Steering Wheel	30	74531	Shifter Gate
2	1114J	Insert Cap	31	74580	Decal - Shift
3	558P	*Jam Nut 1/2 - 20 UNF	32	74501	Decal - Roper
4	1549P	Washer 17/32 x 1 x 16 Ga.	33	74581	Decal - Blade Control
5	7276S	Steering Shaft Cover	34	74512	Decal - Engine Area
6	74556	Steering Shaft - Upper	35	7292B	Battery Holder
7	74562	Steering Shaft Extension	36	72319	Wing Head Stud
8	3255P	*Bolt, Hex 1/4 - 20 x 1 - 3/4 Gr. 5	37	73320	Recusacle
9	585P	Locknut with Washer Insert 1/4 - 20 UNC	38	73321	Suit Ring
10	74522	Console Assembly	39	7298J	Blade Brake Rod
11	3390P	Screw, Hex, Thread Rolling 5/16 - 18 x 1/2	40	74544	Belt Keeper
14	75122	Decal - Operating Instructions	41	52018	Idler Pulley
15	74558	Decal - Instruction	42	74613	Spring Arm
16	1480J	Seat	44	75045	Locknut - Gripco 3/8 - 16 UNC
17	75070	Decal - Seat	45	74538	Blade Clutch Lever
18	74863	Front Panel	46	71248	Grip
19	72638	Bolt, Shoulder 1/2 - 13 UNC (Inc. Key No. 23)	47	74539	Handle Bracket
20	1000P	*Lockwasher 1/2	48	75339	Control Arm Assembly
21	1625P	Washer 17/32 x 1 - 3/16 x 12 Ga.	50	1636P	Washer 13/32 x 7/8 x 6 Ga.
22	1544J	Throttle Control	51	74559	Decal - Enter and Exit
23	61159	*Screw, Phillips Truss Hd. Thread Cut 1/4 - 20 x 3/4	52	74557	Decal - Brake Instruction
24	74534	Side Panel - R.H.	53	376J	Decal - Clutch and Brake
25	74522	Side Panel - L.H.	54	74542	Idler Support Bracket
26	5547P	*Screw, Phillips Truss Hd. Thread Cut 1/4 - 20 x 3/4	55	3010P	*Bolt, Hex 5/16 - 18 x 3/4
27	3386P	Screw, Hex Washer Hd. Machine 5/16 - 18 x 3/4	56	74643	Idler Arm
28	1626P	Washer 17/32 x 1 - 1/8 x 16 Ga.	58	67189	Foot Pedal Plate
29	575P	*Locknut - Gripco 5/16 - 18 UNC	59	67613	Bolt, Carriage 5/16 - 18 x 3/4 Special
			60	72384	Floor Board Pad
				2079J	Owners Manual

STANDARD HARDWARE-PURCHASE LOCAL

REPAIR PARTS

32" REAR ENGINE RIDING LAWN MOWER-MODEL NUMBER K8327CR

CHASSIS



REPAIR PARTS

32" REAR ENGINE RIDING LAWN MOWER-MODEL NUMBER K8327CR

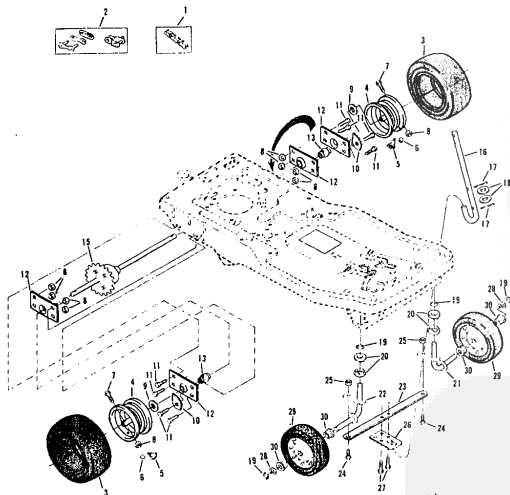
CHASSIS

KEY NO.	PART NO.	DESCRIPTION	KEY NO.	PART NO.	DESCRIPTION
1	70630	Tow Hitch - Eyebolt	28	72387	Foot Pedal
2	5469	*Locknut, Gripco 5/16 - 18 UNC	27	67114	Motion Idler
3	74514	Chassis	28	58855	Bolt, Shoulder 5/16 - 24 x 1/2
6	75284	Lever Arm Assembly	29	1828P	Washer 13/32 x 1 - 1/2 x 10 Ga.
7	75285	Sole Bracket	30	586P	Nut, Nylon 5/16 - 24 UNF
9	3010P	*Bolt, Hex 5/16 - 18 x 3/4	31	2044J	Spring - Idler
10	1580P	Washer 21/32 x 1 x 18 Ga.	32	53018	Pulley - Idler
11	5001P	E-Ring	33	6066P	Bolt, Hex with Sems Lockwasher 3/8 - 18 x 1 - 1/2
12	553P	*Locknut, Gripco 5/16 - 18 UNC Gr. B	35	67348	V-Belt
13	74545	Parallel Bar	36	72357	Front Member Assembly
14	67394	Bolt, Shoulder 5/16 - 18 x 3/4	37	676	Bolt, Carriage 5/16 - 18 x 3/4 Gr. 5
15	580P	Locknut, Nylon 5/16 - 18 UNC	38	72375	Lifter Bracket
16	73798	Brake Rod - Rear	39	74516	Housing Lifter
17	64294	Spring	40	74515	Ballcrank Bracket
18	2503P	*Cotter Pin 3/32 x 3/4	41	68P	Bolt, Carriage 5/16 - 18 x 1 Gr. 5
19	82755	Spring	42	74576	Drive Lok Pin - Type B
20	74527	Lifter Handle	43	74522	Ballcrank
21	72361	Parking Brake Rod	44	24648	Drive Lok Pin Type F
22	53840	Cotter Pin 5/64 x 3/4	45	68475	Bolt, Shoulder 5/16 - 18 x 3/4
23	72383	Motion Clutch and Brake Rod	46	5021P	Bolt, Hex 5/16 - 18 x 3/4
24	72360	Foot Pedal Clamp			*STANDARD HARDWARE-PURCHASE LOCALLY
24A	71673	Plunger Cap			
24B	55862	Knob			

REPAIR PARTS

32" REAR ENGINE RIDING LAWN MOWER-MODEL NUMBER K8327CR

WHEEL GROUP



REPAIR PARTS

32" REAR ENGINE RIDING LAWN MOWER-MODEL NUMBER K8327CR

WHEEL GROUP

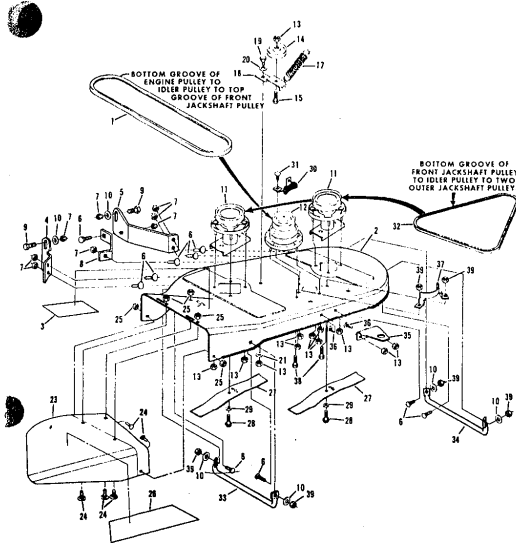
KEY NO.	PART NO.	DESCRIPTION	KEY NO.	PART NO.	DESCRIPTION
1	72818	Chain	18	72547	Steering Shaft
2	60474	Repair Link Kit (Inc. Offset and Connecting Links)	17	2506P	*Cotter Pin 1/8 x 1
3	70302	Tire 13 - 5.00 x 6	16	1623P	Washer 21/32 x 1 - 1/4 x 16 Ga.
4	70301	Rim - Rear	19	6001P	E-Ring
5	65129	Valve Stem	20	71208	Bearing
6	59132	Valve Cap	21	72401	Kingpin - L.H.
7	3395P	*Bolt, Hex 5/16 - 18 x 1 - 5/8 Gr. 5	22	72400	Kingpin - R.H.
8	553P	*Locknut, Gripco 5/16 - 18 UNC Gr. B	23	72358	Tie Bar
9	1617P	Washer 25/32 x 1 - 1/4 x 16 Ga.	24	58855	Bolt, Shoulder - Special 5/16 - 24
10	67703	Chain Adjuster	25	582P	Locknut, Hex with Washer Insert 5/16 - 24 UNF
11	6067P	*Bolt, Hex with Sems Lockwasher 5/16 - 18 x 1	26	72359	Steering Plate
12	72382	Bearing Cup	27	3393P	Screw, Thread Rolling 5/16 - 18 x 1/2
13	62348	Bearing	28	1830P	Washer 21/32 x 1 x 21 Ga.
15	2112J	Differential Assembly	29	67350	Wheel and Tire Assembly 11.00 x 4.00 (Inc. Key No. 30)
			30	64906	Bearing

*STANDARD HARDWARE-PURCHASE LOCALLY

REPAIR PARTS

32" REAR ENGINE RIDING LAWN MOWER—MODEL NUMBER K8327CR

MOWER



REPAIR PARTS

32" REAR ENGINE RIDING LAWN MOWER—MODEL NUMBER K8327CR

MOWER

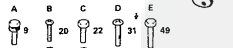
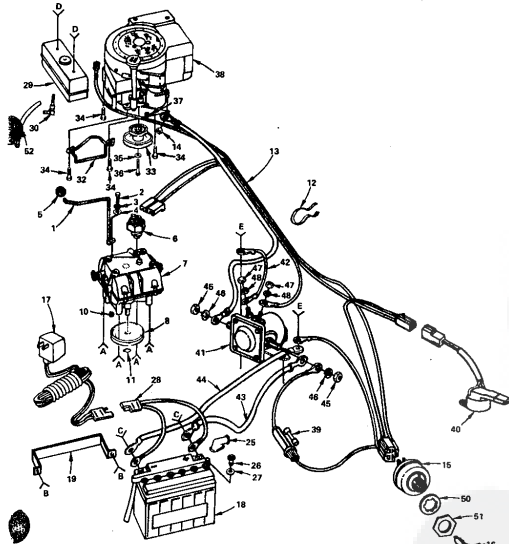
KEY NO.	PART NO.	DESCRIPTION	KEY NO.	PART NO.	DESCRIPTION
1	74212	V Belt	21	1622P	Washer, 13/32 x 7/8 x 7 Ga.
2	78293	Housing with Silk Screening	23	71596	Discharge Guard
3	76382	Decal - Cutter Head	24	70P	*Bolt, Carriage 1/4 - 20 x 3/4 Gr. 5
4	79521	Housing Lifter - R.H.	25	569P	Locknut, Gripco 1/4 - 20 UNC
5	74552	Housing Lifter - L.H.	26	75485	Decal - Discharge Guard
6	67P	*Bolt, Carriage 5/16 - 18 x 3/4 Gr. 5	27	67405	Blank
7	588P	Locknut, Nylon 5/16 - 18 UNC	28	6062P	Screw, Hex Machine w/Sems Lockwasher
8	74553	Strip	29	1631P	Nylon Patch 3/8 - 24 x 7/8 Gr. 5
9	5880B	Bolt, Shoulder - Special	30	88107	Washer 1/2 x 2 - 3/8 x 10 Ga.
10	50806	Washer 1 1/2 x 3/4 x 16 Ga.	31	5021P	Brake Assembly
11	71033	Jackshaft Assembly - Driver	32	67398	*Bolt, Hex 3/8 - 16 x 3/4
12	69522	Jackshaft Assembly - Driver	33	74548	V-Bolt
13	545P	Locknut, Gripco 3/8 - 16 UNC	34	74548	Skid - R.H.
14	67400	Idler Pulley	35	74550	Mower Support
15	6066P	Bolt, Hex with Sems Lockwasher 3/8 - 16 x 1 - 1/2	36	189P	*Bolt, Carriage 3/8 - 16 x 3/4
17	67401	Spring	37	67404	Bolt Snubber
18	67299	Idler Arm	38	6052P	Screw, Hex Head with Sems Lockwasher 5/16 - 18 x 3/4
19	62361	Bolt, Shoulder - Special	39	553P	Locknut, Gripco 5/16 - 18 UNC
20	67356	Washer - Special			

STANDARD HARDWARE—PURCHASE LOCALLY

REPAIR PARTS

32" REAR ENGINE RIDING LAWN MOWER—MODEL NUMBER K8327CR

ELECTRICAL



REPAIR PARTS

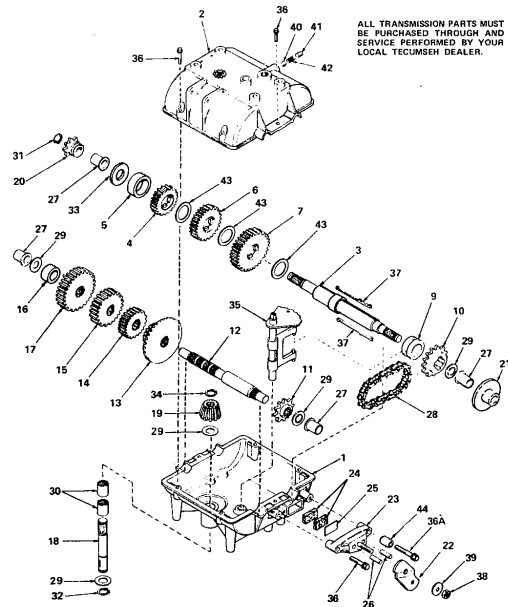
32" REAR ENGINE RIDING LAWN MOWER—MODEL NUMBER K8327CR

ELECTRICAL

KEY NO.	PART NO.	DESCRIPTION	KEY NO.	PART NO.	DESCRIPTION
1	75266	Shift Lever	28	600J	Charger Plug Assembly
2	3389P	Bolt, Hex 1/4 - 28 x 1/2 Gr. 5	29	742J	Fuel Tank
3	1600P	Lockwasher 1/4	30	739J	Fuel Tank Elbow
4	1507P	Washer 3/8 x 3/4 x 16 Ga.	31	3358P	Screw, Truss Hd, Phillips 1/4 - 20 x 5/8
5	55882	Knob	32	677A201	Belt Keeper Assembly
6	74525	Switch - Transmission	33	2186J	Engine Pulley
7	794212A	Transmission Assembly (719A)	34	6608P	Screw, Hex Hd, Trid. Rolling 3/8 - 16 x 1 - 1/2
8	72541	Pulley - Transmission	35	1634P	Washer 3/8 x 1 - 1/4 x 7 Ga.
9	6069P	Bolt w/Sems Lockwasher 5/16 - 18 x 5/8	36	6070P	Screw, Hex Hd, w/Sems Lockwasher 3/8 - 24 x 1 - 3/8 Nylon Patch Gr. 5
10	58349	Key, Woodruff No. 6	37	65053	Key, Woodruff No. 6
11	65302	Retaining Ring	38	191705	Engine, 8 H.P. Briggs & Stratton Type No. 6547-01
12	43174	Wire Tie	39	6347R	Fuse - 30 Amp.
13	2081J	Wire Harness	40	2083J	Safety Switch
14	53496	Locknut 1/4 - 20	41	7754R	Solenoid
15	4406H	Ignition Switch	42	8027R	Wire, Solenoid Ground
16	7552H	Key	43	686J	Cable Assembly (Battery to Solenoid)
17	71903	Battery Charger	44	2086J	Cable Assembly (Battery to Ground)
18	70451	Battery Pack	45	889P	Nut, Hex 5/16 - 24 UNF
19	72708	Battery Strap	46	1007P	Lockwasher 5/16
20	3337P	Screw, Truss Hd, Phillips 1/4 - 20 x 1/2	47	549P	Nut, Hex No. 10 - 32
21	588P	Locknut, 1/4 - 20 UNC w/Washer Inset	48	1006P	Lockwasher No. 10
22	3114P	Screw, Hex Head 1/4 - 20 x 1/2 (Furnished w/Battery Pack)	49	3003P	Bolt, Hex 1/4 - 20 x 3/4
23	503P	Hex Nut 1/4 - 20	50	67758	Lockwasher, Internal Tooth 5/8
24	716J	Terminal Boot	51	67759	Nut 5/8 - 32 UNF
25	2233J	Cap - Battery	52	2316J	Fuel Line
26	2224J	Gasket - Battery			

REPAIR PARTS

32" REAR ENGINE RIDING LAWN MOWER-MODEL NUMBER K8327CR
TRANSMISSION MODEL NUMBER 719A



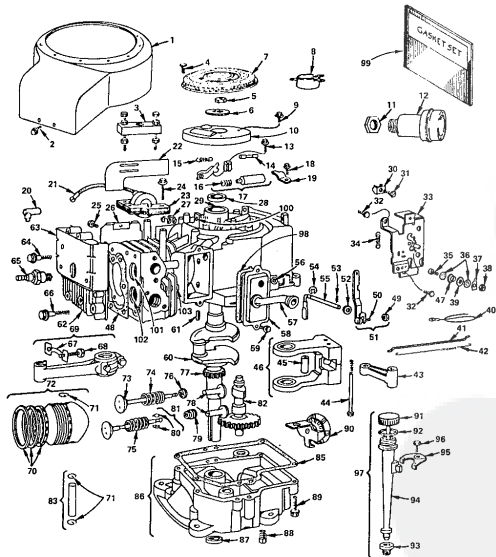
REPAIR PARTS

32" REAR ENGINE RIDING LAWN MOWER-MODEL NUMBER K8327CR
TRANSMISSION MODEL NUMBER 719A

KEY NO.	PART NO.	DESCRIPTION	KEY NO.	PART NO.	DESCRIPTION
1	794212A	Complete Transmission (719A)	25	790007	Plate, Brake pad
2	770081	Case, Transmission	26	780026	Pin, Dowel
3	772070	Cover, Transmission	27	780105	Bushing, Flanged
4	778162	Shaft, Output and Brake	28	780081	Chain, Roller (No. 41 chain, 24 links)
5	778121	Gear, Spur (25 teeth)	29	790072	Race, Thrust
6	786072	Spacer	30	780106	Bearing, Needle
7	778123	Gear, Spur (25 teeth)	31	792077	Ring, Retaining
8	778124	Gear, Spur (30 teeth)	32	792035	Ring, Retaining
9	784266	Collar, Shift	33	780109	Washer
10	786083	Sprocket (18 teeth)	34	788040	Ring, Retaining
11	786082	Sprocket (9 teeth)	35	784270	Rod & Fork Asy., Shift
12	778154	Shaft, Counter	36	792075	Screw, Hex hd. 1/8" x 1/4"
13	778109	Gear, Bevel (42 tooth and 15 tooth spur gear)	36A	792085	Screw, Hex hd. 1/8" x 1/4"
14	778126	Gear, Spur (20 teeth)	37	792089A	Key
15	778127	Gear, Spur (25 teeth)	38	792035	Nut, 5/16" - 24 lock
16	786071	Spacer	39	792076	Washer, Flat, 5/16"
17	778129	Gear, Spur (30 teeth)	40	792077	Ball, Steel, 5/16"
18	778135	Shaft, Input	41	792078	Screw, Set, 3/8" - 16 x 3/8
19	778113	Bevel pinion, input	42	792079	Spring
20	786047	Sprocket (8 teeth)	43	780108	Washer, Thrust
21	790003	Brake	44	780067	Spacer
22	790004	Lever, Brake			
23	790005	Hyliner, Brake pad			
24	790006	Pad, Brake			

REPAIR PARTS

32" REAR ENGINE RIDING LAWN MOWER-MODEL NUMBER K8327CR
BRIGGS & STRATTON 8 H.P. ENGINE-MODEL NO. 191705, TYPE NO. 5647-01
CYLINDER, CRANKSHAFT AND ENGINE BASE GROUP



REPAIR PARTS

32" REAR ENGINE RIDING LAWN MOWER-MODEL NUMBER K8327CR
BRIGGS & STRATTON 8 H.P. ENGINE-MODEL NO. 191705, TYPE NO. 5647-01
CYLINDER, CRANKSHAFT AND ENGINE BASE GROUP

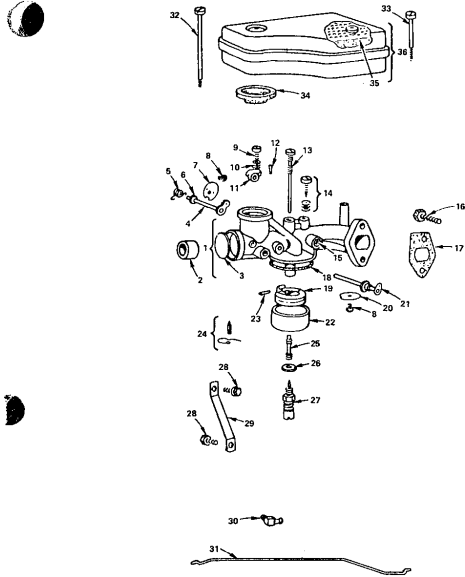
KEY NO.	PART NO.	DESCRIPTION	KEY NO.	PART NO.	DESCRIPTION
1	391379	Housing - Blower	61	61750	Key - Flywheel
2	93159	Screw - Sam	62	212286	Cylinder Head
3	19165	Puller - Flywheel	63	222636	Cover - Cylinder Head
4	83805	Screw - Sam	64	92211	Screw - 2" 21/32"
5	92284	Nut - Flywheel	65	293918	Spark Plug Resistor
6	220655	Washer - Spring	66	92723	Screw - 3"
7	222562	Screen - Flush Rotating	67	222114	Lock - Connecting Rod Screw
8	222581	Cup - Screen Mtg	68	90553	Screw - Connecting Rod
9	93702	Locknut - Muffler	69	904602	ROD ASY., CONNECTING (Inc. Key No's 67 & 68)
10	232117	Cover - Breaker Point	70	391669	RING SET - PISTON, Std.
11	91242	Locknut - Muffler	391670		O10 Oversize
12	933010	Muffler - Exhaust	391671		O20 Oversize
13	83381	Screw - Breaker Arm	391672		O30 Oversize
14	85704	Plunger - Breaker Point	71	68546	Lock - Piston Pin
15	26016	Spring - Breaker Arm	72	391613	Piston Asy., Inc. Key No's 70 & 71
16	260374	Spring - Connector	391674		O10 Oversize
17	294628	Breaker Points & Condenser (Inc. Key No's 15 & 16)	391675		O20 Oversize
18	93042	Screw - Sam	391676		O30 Oversize
19	220477	Clamp - Condenser	73	261055	Intake Valve
20	69538	Elbow - Spark Plug	74	69596	Spring - Intake Valve
21	221798	Terminal - Ignition Cable	75	26828	Spring - Exhaust Valve
22	221760	Guide - Air	76	221895	Retainer - Intake Valve
23	298968	Armature Asy.	77	261195	Gear - Timing
24	93381	Screw - Armature	78	260933	Tapet - Valve
25	93163	Screw - Sam	79	292260	Rotocoil - Exhaust Valve
26	222830	Shield - Cylinder	80	90330	Retainer - Exhaust Valve
27	221907	Clip - Wire	81	393419	Exhaust Valve (Inc. Key No. 80)
28	294606	Oil Seal	82	211689	Gear - Cam
29	393675	Cylinder Assembly	83	295640	Pin Asy., Piston (Inc. 2 each Key No. 71)
30	221535	Clamp - Casing	85	295641	Pin Asy., Piston, ODS Oversize
31	93496	Screw - Sam	86	27750	*Gasket - Crankcase Cover - 1/64" thick
32	82572	Plate - Governor Control	27876		Gasket - Crankcase Cover - .006" thick
33	390662	Spring - Governor	27877		Gasket - Crankcase Cover - .008" thick
34	261506	Screw - Terminal	86	298616	Oil Sump (Inc. Key No's 85 and 87)
35	91920	Screw - Terminal	87	298423	Oil Seal
36	92791	Lockwasher	88	01084	Plug - Oil Drain
37	93722	Terminal - Spade	89	93385	Screw - Sam
38	90576	Hex Nut No. 8 - 32	90	932718	Oil Slinger - Governor
39	96068	Washer - Insulating	91	391840	Cap & Dipstick - Oil Filter
40	299500	Wire - Ground	92	210920	Seal - Filler Cap
41	260871	Link - Governor	93	68839	Seal - Filler Tube
42	280584	Spring - Governor Link	94	260133	Tube - Oil Filter
43	212759	Link - Counterweight	95	222502	Clamp - Oil Filter Tube
44	93874	Pin - Counterweight	96	93804	Screw - Clamp Mtg.
45	298909	Counterweight Asy.	97	302086	Filter Group - Oil (Inc. Key No's 91, 92, 93, 94, 95 & 96)
46	390172	Collar - Insulating	98	27803	*Gasket - Valve Cover
47	66554	Collar - Insulating	99	298977	Gasket Set
48	270430	*Gasket - Cylinder Head	100	29512	Bushing - Plunger
49	231062	Hex Nut No. 10 - 24	101	211681	Seat - Intake Valve (Std.)
50	92613	Bolt - Governor Lever	102	211661	Seat - Exhaust Valve (Std.)
51	391733	Lever Asy., Governor (Inc. Key No's 49 & 50)	103	230856	Guide - Exhaust Valve
52	222450	Washer - Governor Lever			
53	93306	Dotter - Hair Pin			
54	93307	Retainer - E-Ring			
55	211058	Crank - Governor			
56	231055	Bushing - Governor Crank			
57	280005	Breather Tube			
58	391408	Breather Asy.			
59	93536	Sims Screw			
60	391757	Crankshaft			

ALL ENGINE PARTS MUST BE PURCHASED THROUGH AND SERVICE PERFORMED BY YOUR LOCAL BRIGGS AND STRATTON DEALER.

*INCLUDED IN GASKET SET 299577
SPARK ARRESTER ASSEMBLY (OPTIONAL)
Spark Arrester
Deflector
Screw (4 required)

REPAIR PARTS

32" REAR ENGINE RIDING LAWN MOWER - MODEL NUMBER K8327CR
BRIGGS & STRATTON 8 H.P. ENGINE - MODEL NO. 191705, TYPE NO. 5647-01
CARBURETOR NUMBER 390811



ALL ENGINE PARTS MUST BE PURCHASED THROUGH AND SERVICE PERFORMED BY YOUR LOCAL BRIGGS AND STRATTON DEALER.

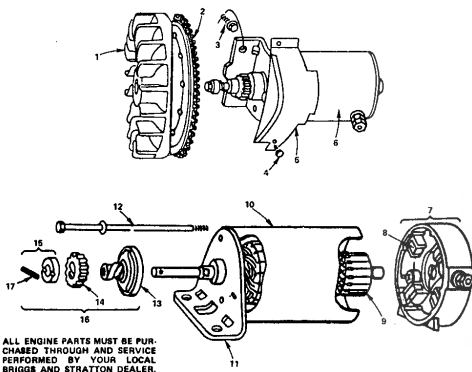
REPAIR PARTS

32" REAR ENGINE RIDING LAWN MOWER - MODEL NUMBER K8327CR
BRIGGS & STRATTON 8 H.P. ENGINE - MODEL NO. 191705, TYPE NO. 5647-01
CARBURETOR NUMBER 390811

KEY NO.	PART NO.	DESCRIPTION	KEY NO.	PART NO.	DESCRIPTION
1	299851	Body Ass'y. (Includes Key No. 3)	21	391512	Shaft & Lever - Throttle
2	211682	Venturi - Carburetor	22	221995	Bowl - Float
3	221997	*Plug - Wash	23	220886	*Pin - Float Hinge
4	350584	Shaft and Lever - Choke	24	290906	*Valve - Fuel Inlet
5	261116	Spring - Choke Return	25	230952	*Screw - Nozzle
6	270382	Washer - Choke Shaft	26	222014	*Washer - Float Bowl
7	222010	Valve - Choke	27	391233	*Valve - Nozzle
8	93499	Screw - Sem	28	93679	Screw
9	91920	Screw - Fil. Hd. Maph. No. B - 32 x 5/8	29	222027	Bracket - Carburetor
10	26157	Spring - Throttle Adjustment	30	61218	Connector - Fuel Pipe
11	211712	Stop - Throttle	31	261117	Link - Choke
12	93643	Pin - Throttle Stop	32	93323	Screw - Air Cleaner
13	259460	*Nozzle - Carburetor	33	93022	Screw - Air Cleaner
14	292681	*Valve Ass'y. - Carb. Idle	34	270539	Gasket - Air Cleaner
15	23108	Bushing - Throttle Shaft	35	270536	Element - Air Cleaner
16	93357	Screw - Carburetor Mfg.	36	391593	Air Cleaner Ass'y. (Inc. Key No 35)
17	270824	*Gasket - Carburetor Mfg.		299852	Carburetor Overhaul Kit (Inc. Parts Marked *)
18	270511	*Gasket - Float Bowl	390811		Carburetor Assembly
19	289107	Float - Carburetor			
20	221985	Valve - Throttle			

REPAIR PARTS

32" REAR ENGINE RIDING LAWN MOWER - MODEL NUMBER K8327CR
BRIGGS & STRATTON 8 H.P. ENGINE - MODEL NO. 191705, TYPE NO. 5647-01
FLYWHEEL AND STARTER MOTOR GROUP

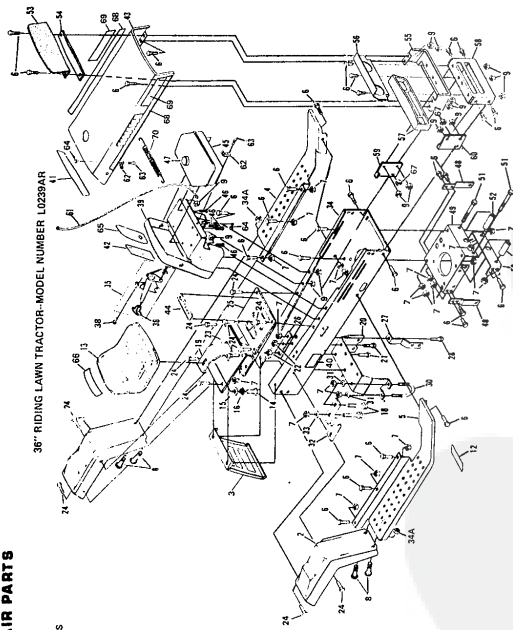


ALL ENGINE PARTS MUST BE PURCHASED THROUGH AND SERVICE PERFORMED BY YOUR LOCAL BRIGGS AND STRATTON DEALER.

KEY NO.	PART NO.	DESCRIPTION
1	392034	Flywheel and Ring Gear Ass'y.
2	392134	Gear - Ring
3	93823	Screw - Sem
4	93410	Screw - Sem
5	390233	Cover & Shield - Starter
6	392749	Motor, Starter (Inc. Key No's. 7 thru 17)
7	390846	End Cap Ass'y. Commutator (Inc. Key No. 8)
8	391705	Brush Ass'y.
9	392747	Armature Ass'y.
10	392744	Housing Ass'y.
11	392061	End Cap Ass'y. Drive
12	391706	Thru Bolt Ass'y.
13	391136	Clutch Ass'y.
14	280104	Gear
15	391462	Retainer & Pin (Inc. Key No. 17)
16	391461	Drive Ass'y. (Inc. Key No's. 13, 14 & 15)
17	93754	Roll Pin

REPAIR PARTS

CHASSIS



36" RIDING LAWN TRACTOR—MODEL NUMBER L0238AR

REPAIR PARTS

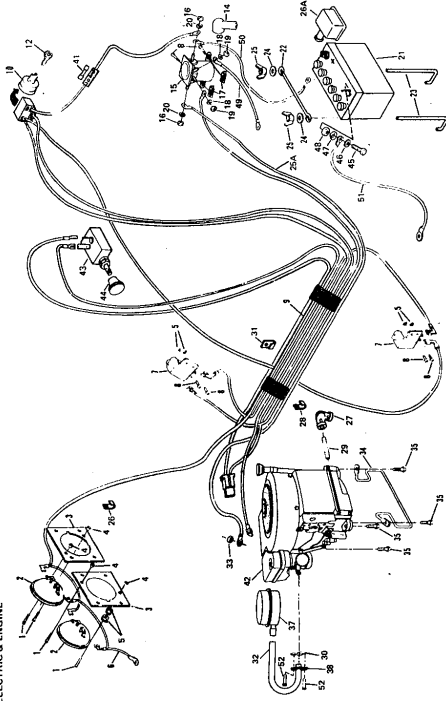
CHASSIS

KEY NO.	PART NO.	DESCRIPTION
2	200J	Fender, L. H.
3	1388J	Rear Cover, L.H.
4	1389J	Rear Cover, R.H.
5	1540J	Foot Rest, R.H.
6	2010P	Seat, Hex Head 5/16" - 18 x 3/4
7	2010P	Seat, Hex Head 5/16" - 18 x 1/2
8	2008P	Seat, Hex Head 5/16" - 18 x 1/2
9	2009P	Seat, Hex Head 5/16" - 18 x 1/2
10	2011P	Seat, Hex Head 5/16" - 18 x 1/2
11	2012P	Seat, Hex Head 5/16" - 18 x 1/2
12	2013P	Seat, Hex Head 5/16" - 18 x 1/2
13	1695J	Washer 1/2" x 1/4" - 11 Ga.
14	1696J	Washer 1/2" x 1/4" - 11 Ga.
15	1697J	Washer 1/2" x 1/4" - 11 Ga.
16	1698J	Washer 1/2" x 1/4" - 11 Ga.
17	1699J	Washer 1/2" x 1/4" - 11 Ga.
18	2012P	Seat, Hex Head 5/16" - 18 x 1/2
19	2013P	Seat, Hex Head 5/16" - 18 x 1/2
20	2014P	Seat, Hex Head 5/16" - 18 x 1/2
21	2015P	Seat, Hex Head 5/16" - 18 x 1/2
22	2016P	Seat, Hex Head 5/16" - 18 x 1/2
23	1790J	Control Cover
24	6712P	Control Cover
25	6713P	Control Cover
26	2118B	Anti-Slip
27	2119B	Anti-Slip
28	2120B	Anti-Slip
29	2121B	Anti-Slip
30	2122B	Anti-Slip
31	2123B	Anti-Slip
32	2124B	Anti-Slip
33	1610P	Washer 3/8" x 1/4" - 6 Ga.
34	2352P	Washer 3/8" x 1/4" - 6 Ga.
35	1544J	Bracket, Hex Head 5/16" - 18 x 1/2
36	1545J	Bracket, Hex Head 5/16" - 18 x 1/2
37	1546J	Bracket, Hex Head 5/16" - 18 x 1/2
38	1547J	Bracket, Hex Head 5/16" - 18 x 1/2
39	1548J	Bracket, Hex Head 5/16" - 18 x 1/2
40	1549J	Bracket, Hex Head 5/16" - 18 x 1/2
41	1550J	Bracket, Hex Head 5/16" - 18 x 1/2
42	1551J	Bracket, Hex Head 5/16" - 18 x 1/2
43	1552J	Bracket, Hex Head 5/16" - 18 x 1/2
44	1553J	Bracket, Hex Head 5/16" - 18 x 1/2
45	1554J	Bracket, Hex Head 5/16" - 18 x 1/2
46	1555J	Bracket, Hex Head 5/16" - 18 x 1/2
47	1556J	Bracket, Hex Head 5/16" - 18 x 1/2
48	1557J	Bracket, Hex Head 5/16" - 18 x 1/2
49	1558J	Bracket, Hex Head 5/16" - 18 x 1/2
50	1559J	Bracket, Hex Head 5/16" - 18 x 1/2
51	1560J	Bracket, Hex Head 5/16" - 18 x 1/2
52	1561J	Bracket, Hex Head 5/16" - 18 x 1/2
53	1562J	Bracket, Hex Head 5/16" - 18 x 1/2
54	1563J	Bracket, Hex Head 5/16" - 18 x 1/2
55	1564J	Bracket, Hex Head 5/16" - 18 x 1/2
56	1565J	Bracket, Hex Head 5/16" - 18 x 1/2
57	1566J	Bracket, Hex Head 5/16" - 18 x 1/2
58	1567J	Bracket, Hex Head 5/16" - 18 x 1/2
59	1568J	Bracket, Hex Head 5/16" - 18 x 1/2
60	1569J	Bracket, Hex Head 5/16" - 18 x 1/2
61	1570J	Bracket, Hex Head 5/16" - 18 x 1/2
62	1571J	Bracket, Hex Head 5/16" - 18 x 1/2
63	1572J	Bracket, Hex Head 5/16" - 18 x 1/2
64	1573J	Bracket, Hex Head 5/16" - 18 x 1/2
65	1574J	Bracket, Hex Head 5/16" - 18 x 1/2
66	1575J	Bracket, Hex Head 5/16" - 18 x 1/2
67	1576J	Bracket, Hex Head 5/16" - 18 x 1/2
68	1577J	Bracket, Hex Head 5/16" - 18 x 1/2
69	1578J	Bracket, Hex Head 5/16" - 18 x 1/2
70	1579J	Bracket, Hex Head 5/16" - 18 x 1/2
71	1580J	Bracket, Hex Head 5/16" - 18 x 1/2
72	1581J	Bracket, Hex Head 5/16" - 18 x 1/2
73	1582J	Bracket, Hex Head 5/16" - 18 x 1/2
74	1583J	Bracket, Hex Head 5/16" - 18 x 1/2

*STANDARD HARDWARE—PURCHASE LOCALLY

REPAIR PARTS

ELECTRIC & ENGINE



36" RIDING LAWN TRACTOR—MODEL NUMBER L0238AR

REPAIR PARTS

ELECTRIC & ENGINE

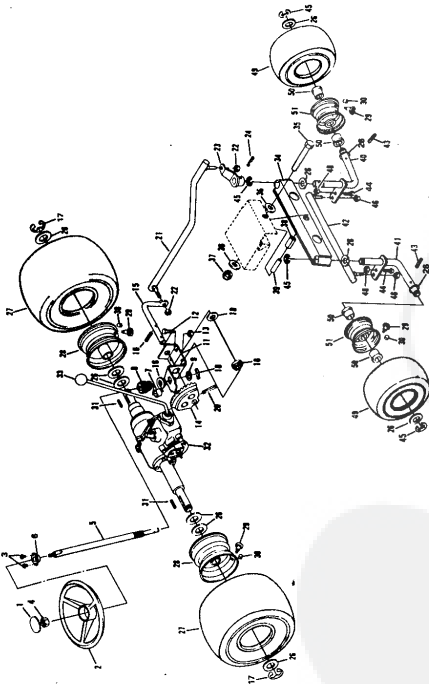
KEY NO.	PART NO.	DESCRIPTION
1	3228P	Screw, Machine Truss Head
2	6452R	Headlight Support
3	7327S	Headlight Support
4	5817P	Headlight Support
5	5817P	Headlight Support
6	7145P	Screw, Machine Phillips Head
7	3356P	Screw, Machine Phillips Head
8	3356P	Screw, Machine Phillips Head
9	1797J	Ignition Switch (Inc. Ref. No. 12)
10	6558R	Terminal Cover
11	6558R	Terminal Cover
12	6558R	Terminal Cover
13	6558R	Terminal Cover
14	6558R	Terminal Cover
15	6558R	Terminal Cover
16	5384P	Washer 5/16" x 3/4" x 11 Ga.
17	1008P	Washer 5/16" x 3/4" x 11 Ga.
18	1008P	Washer 5/16" x 3/4" x 11 Ga.
19	1008P	Washer 5/16" x 3/4" x 11 Ga.
20	1008P	Washer 5/16" x 3/4" x 11 Ga.
21	2281	Battery
22	10456	Battery
23	10456	Battery
24	10456	Battery
25	10456	Battery
26	10456	Battery
27	10456	Battery
28	10456	Battery
29	10456	Battery
30	10456	Battery
31	10456	Battery
32	10456	Battery
33	10456	Battery
34	10456	Battery
35	10456	Battery
36	10456	Battery
37	67748R	Washer 5/16" x 3/4" x 11 Ga.
38	67748R	Washer 5/16" x 3/4" x 11 Ga.
39	67748R	Washer 5/16" x 3/4" x 11 Ga.
40	67748R	Washer 5/16" x 3/4" x 11 Ga.
41	67748R	Washer 5/16" x 3/4" x 11 Ga.
42	22707	Washer 5/16" x 3/4" x 11 Ga.
43	7789R	Washer 5/16" x 3/4" x 11 Ga.
44	1008P	Washer 5/16" x 3/4" x 11 Ga.
45	1008P	Washer 5/16" x 3/4" x 11 Ga.
46	1008P	Washer 5/16" x 3/4" x 11 Ga.
47	1008P	Washer 5/16" x 3/4" x 11 Ga.
48	1008P	Washer 5/16" x 3/4" x 11 Ga.
49	1008P	Washer 5/16" x 3/4" x 11 Ga.
50	1008P	Washer 5/16" x 3/4" x 11 Ga.
51	1008P	Washer 5/16" x 3/4" x 11 Ga.
52	1008P	Washer 5/16" x 3/4" x 11 Ga.
53	1008P	Washer 5/16" x 3/4" x 11 Ga.
54	1008P	Washer 5/16" x 3/4" x 11 Ga.
55	1008P	Washer 5/16" x 3/4" x 11 Ga.
56	1008P	Washer 5/16" x 3/4" x 11 Ga.
57	1008P	Washer 5/16" x 3/4" x 11 Ga.
58	1008P	Washer 5/16" x 3/4" x 11 Ga.
59	1008P	Washer 5/16" x 3/4" x 11 Ga.
60	1008P	Washer 5/16" x 3/4" x 11 Ga.
61	1008P	Washer 5/16" x 3/4" x 11 Ga.
62	1008P	Washer 5/16" x 3/4" x 11 Ga.
63	1008P	Washer 5/16" x 3/4" x 11 Ga.
64	1008P	Washer 5/16" x 3/4" x 11 Ga.
65	1008P	Washer 5/16" x 3/4" x 11 Ga.
66	1008P	Washer 5/16" x 3/4" x 11 Ga.
67	1008P	Washer 5/16" x 3/4" x 11 Ga.
68	1008P	Washer 5/16" x 3/4" x 11 Ga.
69	1008P	Washer 5/16" x 3/4" x 11 Ga.
70	1008P	Washer 5/16" x 3/4" x 11 Ga.
71	1008P	Washer 5/16" x 3/4" x 11 Ga.
72	1008P	Washer 5/16" x 3/4" x 11 Ga.
73	1008P	Washer 5/16" x 3/4" x 11 Ga.
74	1008P	Washer 5/16" x 3/4" x 11 Ga.

*STANDARD HARDWARE—PURCHASE LOCALLY

Optional Equipment
Spark Arrestor Muller LA248R

REPAIR PARTS

STEERING AND WHEELS



36" RIDING LAWN TRACTOR—MODEL NUMBER L0289AR

REPAIR PARTS

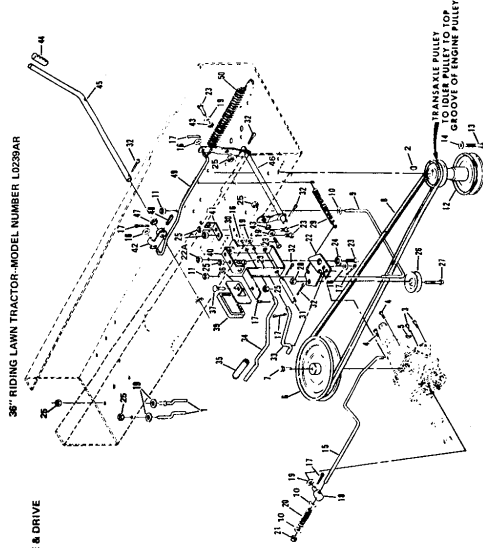
STEERING AND WHEELS

KEY NO.	PART NO.	DESCRIPTION
1	1114J	Steering Wheel Inset
2	506J	Steering Wheel, 9 1/2" Metal Screw
3	5014P	Steering Wheel Nut, 1/2" x 1 1/2" x 1 1/2" UNF
4	1585J	Steering Wheel Bolt, 1/2" x 1 1/2" x 1 1/2" UNF
5	1585J	Steering Wheel Bolt, 1/2" x 1 1/2" x 1 1/2" UNF
6	1585J	Steering Wheel Bolt, 1/2" x 1 1/2" x 1 1/2" UNF
7	1585J	Steering Wheel Bolt, 1/2" x 1 1/2" x 1 1/2" UNF
8	74881	Pinion Gear
9	74881	Pinion Gear
10	52379	Steering Pin, 3/16" x 1 1/2" x 1 1/2" UNF
11	74577	Steering Bracket
12	74577	Steering Bracket
13	579P	Steering Bracket
14	579P	Steering Bracket
15	1326J	Steering Rod
16	71208	Bushing
17	71208	Bushing
18	1818P	Washer, 21/32" x 1 1/4" x 13 Ga.
19	1818P	Washer, 21/32" x 1 1/4" x 13 Ga.
20	73446	Drag Link, 3/8" Dia. x 24" UNF
21	71819	Steering Arm Nut, 3/8" x 24" UNF
22	71819	Steering Arm Nut, 3/8" x 24" UNF
23	71819	Steering Arm Assembly
24	5522P	Washer, 7/32" x 1 1/4" x 16 Ga.
25	5522P	Washer, 7/32" x 1 1/4" x 16 Ga.
26	5522P	Washer, 7/32" x 1 1/4" x 16 Ga.
27	71853	Tire (18.00" 8.00" x 8)
28	71853	Tire (18.00" 8.00" x 8)
29	71853	Tire (18.00" 8.00" x 8)

* STANDARD HARDWARE—PURCHASE LOCALLY

REPAIR PARTS

CLUTCH-BRAKE & DRIVE



36" RIDING LAWN TRACTOR—MODEL NUMBER L0289AR

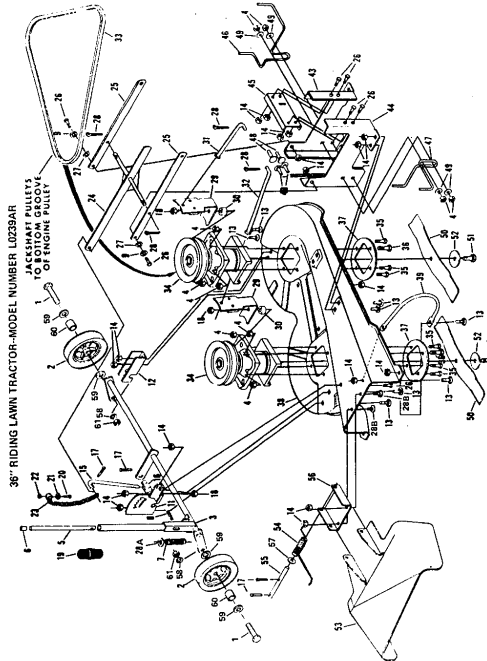
REPAIR PARTS

CLUTCH-BRAKE & DRIVE

KEY NO.	PART NO.	DESCRIPTION
1	71200	Bolt Guide
2	6503J	Key, Woodruff No. 6
3	6059P	5/16" x 18" x 7/16" Washer
4	6059P	Screw, Hex Head w/Washer
5	52659	Key, Woodruff No. 6
6	6059P	5/16" x 18" x 7/16" Washer
7	6059P	Screw, Hex Head w/Washer
8	73794	1/4" x 20 x 3/4" G.S.
9	71241	Mid Bolt Guide
10	71241	Mid Bolt Guide
11	545P	Locknut, 3/8" x 16 x 7/8 x 16 Ga.
12	71823	Sulley, Engine
13	71823	Sulley, Engine
14	15189	Washer, 3/32" x 24" x 18 Ga.
15	73392	Brake Rod, 1/4" x 6 Ga.
16	73392	Brake Rod, 1/4" x 6 Ga.
17	2502P	Washer, 3/32" x 24" x 18 Ga.
18	71238	Turion
19	71238	Turion
20	71239	Locknut w/Washer, 3/8" x 16 Ga.
21	591P	Brake Shoe
22	588P	Locknut w/Washer, 5/16" x 18 UNF
23	30109	* Bolt, Hex Head 5/16" x 18 x 3/4
24	71202	Bushing
25	67400	* Nut, Lock 5/16" x 18 UNF
26	67400	* Bolt, Hex Head 2-8" x 16 x 1-1/2
27	2027P	* Spring 16 Ga.
28	2044J	* Spring 16 Ga.
29	2044J	* Spring 16 Ga.
30	71223	* Front Shoe
31	71223	* Front Shoe
32	2506P	* Center Pin, 1/8" x 1
33	2506P	* Center Pin, 1/8" x 1
34	372J	* Park Brake Rod
35	372J	* Park Brake Rod
36	71222	* Coil Pin
37	18P	* Bolt, Carriage 5/16" x 18 x 3/4
38	18P	* Bolt, Carriage 5/16" x 18 x 3/4
39	71189	* Pad Bracket
40	71189	* Pad Bracket
41	71189	* Pad Bracket
42	73229	* Switch Bracket
43	71196	* Switch Bracket
44	71196	* Switch Bracket
45	71242	* Clutch Handle
46	15189	* Washer, 3/32" x 24" x 18 Ga.
47	15189	* Washer, 3/32" x 24" x 18 Ga.
48	52239	* Spring Pin, 3/16" x 1
49	52239	* Spring Pin, 3/16" x 1
50	71248	* Spring
51	71248	* Spring

* STANDARD HARDWARE—PURCHASE LOCALLY

REPAIR PARTS



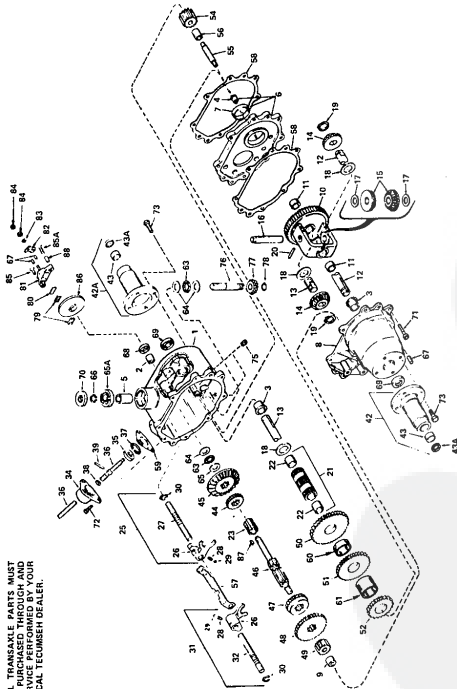
36" RIDING LAWN TRACTOR—MODEL NUMBER L023BAR
MOWER
KEY NO. 1 TO 81
TO BOTTOM GROOVE
OF ENGINE PULLEY

REPAIR PARTS

KEY NO.	PART NO.	DESCRIPTION	KEY NO.	PART NO.	DESCRIPTION
1	3199P	Hex Bolt 3/8" x 2 1/4" x 3/4" Gr. 5	59	677A46	Blade Assembly
2	671A134	Shear Bolt	60	71522	Blade Spring
3	545P	Blade	61	71522	Blade R.H.
4	545P	Blade	62	71522	Blade L.H.
5	671A134	Shear Bolt	63	671A134	Blade R.H. Assembly
6	671A134	Shear Bolt	64	671A134	Blade L.H. Assembly
7	671A134	Shear Bolt	65	671A134	Blade R.H. Assembly
8	671A134	Shear Bolt	66	671A134	Blade L.H. Assembly
9	1599P	Washer 1/2" x 3/4" x 1/8" Gr. 5	67	71524	Blade R.H. Assembly
10	1599P	Washer 1/2" x 3/4" x 1/8" Gr. 5	68	71524	Blade L.H. Assembly
11	671A134	Shear Bolt	69	71524	Blade R.H. Assembly
12	671A134	Shear Bolt	70	71524	Blade L.H. Assembly
13	671A134	Shear Bolt	71	71524	Blade R.H. Assembly
14	671A134	Shear Bolt	72	71524	Blade L.H. Assembly
15	71500	Adjustment Rod	73	71524	Blade R.H. Assembly
16	71500	Adjustment Rod	74	71524	Blade L.H. Assembly
17	2539P	Washer 1/2" x 3/4" x 1/8" Gr. 5	75	71524	Blade R.H. Assembly
18	2539P	Washer 1/2" x 3/4" x 1/8" Gr. 5	76	71524	Blade L.H. Assembly
19	1747J	Washer 1/2" x 3/4" x 1/8" Gr. 5	77	71524	Blade R.H. Assembly
20	3229P	Washer 1/2" x 3/4" x 1/8" Gr. 5	78	71524	Blade L.H. Assembly
21	574P	Washer 1/2" x 3/4" x 1/8" Gr. 5	79	71524	Blade R.H. Assembly
22	574P	Washer 1/2" x 3/4" x 1/8" Gr. 5	80	71524	Blade L.H. Assembly
23	72015	Washer 1/2" x 3/4" x 1/8" Gr. 5	81	71524	Blade R.H. Assembly
24	72015	Washer 1/2" x 3/4" x 1/8" Gr. 5			
25	7193P	Washer 1/2" x 3/4" x 1/8" Gr. 5			
26	7193P	Washer 1/2" x 3/4" x 1/8" Gr. 5			
27	7193P	Washer 1/2" x 3/4" x 1/8" Gr. 5			
28	1515P	Washer 1/2" x 3/4" x 1/8" Gr. 5			
29	1515P	Washer 1/2" x 3/4" x 1/8" Gr. 5			
30	1515P	Washer 1/2" x 3/4" x 1/8" Gr. 5			
31	1515P	Washer 1/2" x 3/4" x 1/8" Gr. 5			
32	1515P	Washer 1/2" x 3/4" x 1/8" Gr. 5			
33	1515P	Washer 1/2" x 3/4" x 1/8" Gr. 5			
34	1515P	Washer 1/2" x 3/4" x 1/8" Gr. 5			
35	1515P	Washer 1/2" x 3/4" x 1/8" Gr. 5			
36	1515P	Washer 1/2" x 3/4" x 1/8" Gr. 5			
37	1515P	Washer 1/2" x 3/4" x 1/8" Gr. 5			
38	1515P	Washer 1/2" x 3/4" x 1/8" Gr. 5			
39	1515P	Washer 1/2" x 3/4" x 1/8" Gr. 5			
40	1515P	Washer 1/2" x 3/4" x 1/8" Gr. 5			
41	1515P	Washer 1/2" x 3/4" x 1/8" Gr. 5			
42	1515P	Washer 1/2" x 3/4" x 1/8" Gr. 5			
43	1515P	Washer 1/2" x 3/4" x 1/8" Gr. 5			
44	1515P	Washer 1/2" x 3/4" x 1/8" Gr. 5			
45	1515P	Washer 1/2" x 3/4" x 1/8" Gr. 5			
46	1515P	Washer 1/2" x 3/4" x 1/8" Gr. 5			
47	1515P	Washer 1/2" x 3/4" x 1/8" Gr. 5			
48	1515P	Washer 1/2" x 3/4" x 1/8" Gr. 5			
49	1515P	Washer 1/2" x 3/4" x 1/8" Gr. 5			
50	1515P	Washer 1/2" x 3/4" x 1/8" Gr. 5			
51	1515P	Washer 1/2" x 3/4" x 1/8" Gr. 5			
52	1515P	Washer 1/2" x 3/4" x 1/8" Gr. 5			
53	1515P	Washer 1/2" x 3/4" x 1/8" Gr. 5			
54	1515P	Washer 1/2" x 3/4" x 1/8" Gr. 5			
55	1515P	Washer 1/2" x 3/4" x 1/8" Gr. 5			
56	1515P	Washer 1/2" x 3/4" x 1/8" Gr. 5			
57	1515P	Washer 1/2" x 3/4" x 1/8" Gr. 5			
58	1515P	Washer 1/2" x 3/4" x 1/8" Gr. 5			
59	1515P	Washer 1/2" x 3/4" x 1/8" Gr. 5			
60	1515P	Washer 1/2" x 3/4" x 1/8" Gr. 5			
61	1515P	Washer 1/2" x 3/4" x 1/8" Gr. 5			

REPAIR PARTS

36" RIDING LAWN TRACTOR—MODEL NUMBER L023BAR
TRANAXLE—MODEL NUMBER 143.658A



ALL TRANAXLE PARTS MUST BE PURCHASED THROUGH AND SERVICE PERFORMED BY YOUR LOCAL TECHNICIAN DEALEX.

REPAIR PARTS

36" RIDING LAWN TRACTOR—MODEL NUMBER L023BAR
TRANAXLE—MODEL NUMBER 143.658A

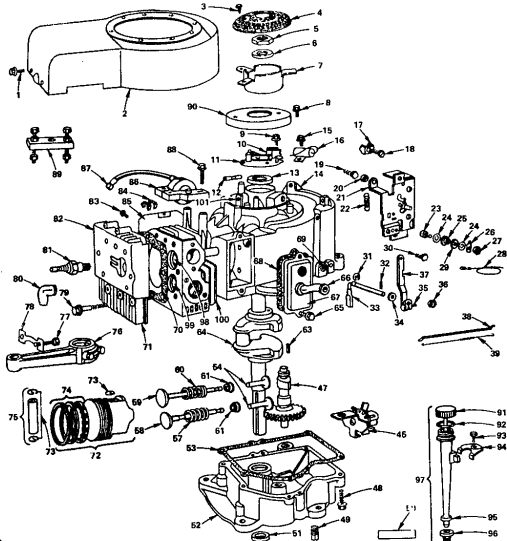
KEY NO.	PART NO.	DESCRIPTION	KEY NO.	PART NO.	DESCRIPTION
1	704191A	Complete Transaxle	45	78957	Gear, Bevel (23 Teeth)
2	78957	Gear, Axle, Transaxle (Inc. No's 1, 2, 3 & 5)	46	78957	Shaft, Input
3	78957	Bearing, Input	47	78957	Shaft, Output
4	78957	Bearing, Output	48	78957	Shaft, Intermediate
5	78957	Bearing, Intermediate	49	78957	Shaft, Output
6	78957	Bearing, Output	50	78957	Shaft, Output
7	78957	Bearing, Input	51	78957	Shaft, Output
8	78957	Bearing, Intermediate	52	78957	Shaft, Output
9	78957	Bearing, Output	53	78957	Shaft, Output
10	78957	Bearing, Input	54	78957	Shaft, Output
11	78957	Bearing, Intermediate	55	78957	Shaft, Output
12	78957	Bearing, Output	56	78957	Shaft, Output
13	78957	Bearing, Input	57	78957	Shaft, Output
14	78957	Bearing, Intermediate	58	78957	Shaft, Output
15	78957	Bearing, Output	59	78957	Shaft, Output
16	78957	Bearing, Input	60	78957	Shaft, Output
17	78957	Bearing, Intermediate	61	78957	Shaft, Output
18	78957	Bearing, Output	62	78957	Shaft, Output
19	78957	Bearing, Input	63	78957	Shaft, Output
20	78957	Bearing, Intermediate	64	78957	Shaft, Output
21	78957	Bearing, Output	65	78957	Shaft, Output
22	78957	Bearing, Input	66	78957	Shaft, Output
23	78957	Bearing, Intermediate	67	78957	Shaft, Output
24	78957	Bearing, Output	68	78957	Shaft, Output
25	78957	Bearing, Input	69	78957	Shaft, Output
26	78957	Bearing, Intermediate	70	78957	Shaft, Output
27	78957	Bearing, Output	71	78957	Shaft, Output
28	78957	Bearing, Input	72	78957	Shaft, Output
29	78957	Bearing, Intermediate	73	78957	Shaft, Output
30	78957	Bearing, Output	74	78957	Shaft, Output
31	78957	Bearing, Input	75	78957	Shaft, Output
32	78957	Bearing, Intermediate	76	78957	Shaft, Output
33	78957	Bearing, Output	77	78957	Shaft, Output
34	78957	Bearing, Input	78	78957	Shaft, Output
35	78957	Bearing, Intermediate	79	78957	Shaft, Output
36	78957	Bearing, Output	80	78957	Shaft, Output
37	78957	Bearing, Input	81	78957	Shaft, Output
38	78957	Bearing, Intermediate	82	78957	Shaft, Output
39	78957	Bearing, Output	83	78957	Shaft, Output
40	78957	Bearing, Input	84	78957	Shaft, Output
41	78957	Bearing, Intermediate	85	78957	Shaft, Output
42	78957	Bearing, Output	86	78957	Shaft, Output
43	78957	Bearing, Input	87	78957	Shaft, Output
44	78957	Bearing, Intermediate	88	78957	Shaft, Output

REPAIR PARTS

36" RIDING LAWN TRACTOR-MODEL NUMBER L0239AR
BRIGGS & STRATTON 10 H.P. ENGINE-MODEL NO. 220707, TYPE NO. 0134-01

CYLINDER, CRANKSHAFT AND ENGINE BASE GROUP

ALL ENGINE PARTS MUST BE PURCHASED THROUGH AND SERVICE PERFORMED BY YOUR LOCAL BRIGGS AND STRATTON DEALER.



REPAIR PARTS

36" RIDING LAWN TRACTOR-MODEL NUMBER L0239AR
BRIGGS & STRATTON 10 H.P. ENGINE-MODEL NO. 220707, TYPE NO. 0134-01

CYLINDER, CRANKSHAFT AND ENGINE BASE GROUP

KEY NO.	PART NO.	DESCRIPTION	KEY NO.	PART NO.	DESCRIPTION
1	93158	Screw - Blower Housing Mounting Sem	57	26829	Spring - Exhaust Valve
2	38156	Housing - Blower	58	23153	Valve - Exhaust
3	38098	Screw - Sem	59	26145Z	Valve - Intake
4	22562	Screen - Flush Rotating	60	65206	Spring - Intake Valve
5	92584	Nut - Hex	61	221596	Retainer - Intake Valve
6	22985	Washer - Spring	62	61760	Key - Flywheel
7	22561	Cap - Screw Mounting	63	61605	Crankshaft
8	93014	Screw - Sem	64	93304	Screw - Sem
9	93296	Cap - Screw Mounting	65	280100	Tube - Breather
10	26018	Spring - Breather Arm	67	391406	Breather Assembly
11	59194	Breaker As'y - Ignition (Inc. No. 10)	68	27803	Gasket - Valve Cover
12	65704	Puncher - Breaker Point	69	231055	Bushing - Gov. Crank (1 1/4" I.D.)
13	391085	Seal - Oil	70	271075	Gasket - Cylinder Head
14	393593	Cylinder As'y. (Inc. No. 13)	71	212366	Head - Cylinder
15	93042	Screw - Sem	72	391285	Piston As'y. - Standard (Inc. No.'s. 73 & 74)
16	391792	Condenser	73	391287	Piston As'y. - 010" O.S.
17	221535	Clamp - Gaining	74	391288	Piston As'y. - 020" O.S.
18	93496	Screw - Sem	75	391289	Piston As'y. - 030" O.S.
19	93688	Screw - Control Bracket Mounting	76	269224	Lock - Piston Pin
20	231039	Screw - Control Bracket Mounting	77	391290	Ring Set - Piston - Std.
21	390662	Plate - Gov. Control	78	391781	Ring Set - Piston - 010" O.S.
22	291306	Spring - Governor	79	391782	Ring Set - Piston - 020" O.S.
23	91920	Screw - Terminating	80	391783	Ring Set - Piston - 030" O.S.
24	92591	Washer - Lock - Shakeproof	81	299951	Pin As'y. - Piston - Std. (Inc. No. 73)
25	66554	Collar - Insulating	82	391286	Pin As'y. - Piston - 005" O.S.
26	93722	Terminal - Spade	83	66360	Lock - Conn. Rod Screw
27	90576	Nut - Hex B - 32	84	92920	Screw - Conn. Rod
28	391922	Wire - Ground	85	222259	Lock - Conn. Rod Screw
29	66088	Washer - Insulating	86	93723	NOTE: 33181 Stud - Cylinder Head
30	93572	Retainer - E-Ring	87	22865	Washer
31	83307	Retainer - E-Ring	88	66538	Elbow - Spark Plug
32	83266	Collar - Main Pin	89	23918	Plug - Spark (1 - 1/2" High - 37 - 42 MM)
33	231058	Crank - Governor (1/4" Dia.)	90	232725	NOTE: Spark Plug use Ignition Cable Terminal No. 221386
34	22450	Washer - Gov. Crank (1 1/4" I.D.)	91	232726	Cover - Cylinder Head
35	92613	Ball - Governor Lever	92	231077	Screw - Cylinder-Head Mtg. Sem
36	231082	Nut - Hex 10 - 24	93	231078	Clip - Wire
37	391733	Level - Governor	94	231079	Screw - Cylinder
38	261198	Link - Governor	95	231080	Armature - Cylinder
39	261197	Spring - Governor Link	96	231081	Terminal - Ignition Cable
40	93164	Oil Slinger - Gov. Gear & Bracket As'y.	97	10299	Screw - Armature Mounting Sem
41	212796	Gear - Cam	98	63381	Filler - Flywheel
42	93586	Screw - Sump Mounting Sem	99	222209	Cover - Breaker Point
43	91034	Plug - Oil Drain	100	391841	Cap and Dipstick - Oil Filler
44	393411	Gasket - Seal	101	270920	Seal - Filler Cap
45	291975	Seal - Oil	102	93804	Screw - Clamp Mtg.
46	391784	Sump - Oil (Inc. No.'s. 51 & 53)	103	225022	Clamp - Oil Filler Tube
47	270828	*Gasket - Crankcase Cover - 1/64" Thick	104	230134	Tube - Oil Filler
48	270916	*Gasket - Crankcase Cover - .005" Thick	105	66830	Seal - Filler Tube
49	270916	*Gasket - Crankcase Cover - .009" Thick	106	392057	Filler Group - Oil
50	261193	Tappet - Valve	107	215681	Intake Valve Seat
			108	230881	Exhaust Valve Seat
			109	23513	Exhaust Valve Stem Guide
			110		Puncher - Bushing
			111		

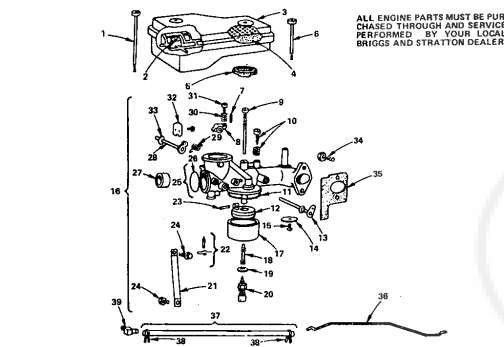
*STANDARD HARDWARE-PURCHASE LOCALLY

REPAIR PARTS

36" RIDING LAWN TRACTOR-MODEL NUMBER L0239AR
BRIGGS & STRATTON 10 H.P. ENGINE-MODEL NO. 220707, TYPE NO. 0134-01

AIR CLEANER AND CARBURETOR

ALL ENGINE PARTS MUST BE PURCHASED THROUGH AND SERVICE PERFORMED BY YOUR LOCAL BRIGGS AND STRATTON DEALER.



KEY NO.	PART NO.	DESCRIPTION	KEY NO.	PART NO.	DESCRIPTION
1	93323	Screw - Air Cleaner	24	93572	Screw
2	260118	Support - Air Cleaner Element	25	291787	Body As'y. - Carburetor (Inc. No. 26)
3	391796	Cleaner As'y. - Air (Inc. No.'s. 2 & 4)	26	221997	*Plug - Wash
4	270843	Element - Air Cleaner	27	211960	Venturi - Carburetor
5	270853	Gasket - Air Cleaner	28	360584	Shaft & Lever - Choke
6	93822	Screw - Air Cleaner	29	261116	Spring - Choke Return
7	93943	Pin - Throttle Stop	30	26157	Spring - Throttle Adjustment
8	211712	Stop - Throttle	31	91920	Screw - Machine, Fil. Hd. 8 - 32 x 5/8"
9	299740	Nozzle - Carburetor	32	222010	Valve - Choke
10	297861	Valve As'y. - Carburetor Idle	33	270382	Washer - Choke Shaft
11	270511	*Gasket - Float Bowl	34	93357	Screw - Carburetor Mtg.
12	299707	Float - Carburetor	35	270872	*Gasket - Carburetor Mtg.
13	391512	Shaft & Lever - Throttle	36	261274	LFA - Choke
14	222658	Valve - Throttle	37	298004	Pipe - Fuel (Inc. No. 38)
15	93499	Screw - Throttle & Choke Valve Mtg. Sem	38	93003	Clamp - Fuel Pipe
16	393410	Carburetor As'y. (Choke-A-Matic) (Inc. No.'s. 7 thru 33)	39	67218	Connector - Fuel Pipe
17	221985	Bowl - Float			
18	250932	*Screw - Nozzle			
19	222014	Washer - Float Bowl			
20	391233	Valve - Needle			
21	222311	Bracket - Carburetor			
22	299598	Valve - Fuel Inlet			
23	230898	*Pin - Float Hinge			

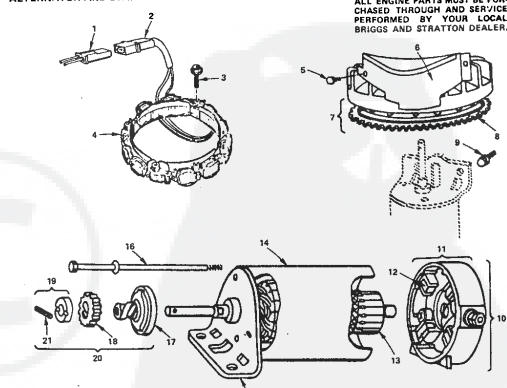
*INCLUDED IN CARBURETOR OVERHAUL KIT - PART NO. 298652
*INCLUDED IN GASKET SET - PART NO. 393411

REPAIR PARTS

36" RIDING LAWN TRACTOR-MODEL NUMBER L0239AR
BRIGGS & STRATTON 10 H.P. ENGINE-MODEL NO. 220707, TYPE NO. 0134-01

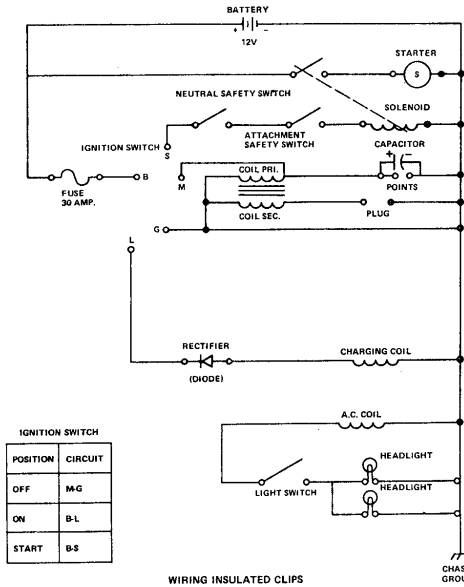
ALTERNATOR AND STARTER MOTOR GROUP

ALL ENGINE PARTS MUST BE PURCHASED THROUGH AND SERVICE PERFORMED BY YOUR LOCAL BRIGGS AND STRATTON DEALER.



KEY NO.	PART NO.	DESCRIPTION	KEY NO.	PART NO.	DESCRIPTION
1	393362	Alt. Harness Assembly	10	392749	Motor and Drive As'y. (12 Volts (Inc. No.'s. 11 thru 20))
2	393456	Diode and Conn. Assembly	11	390846	End Cap As'y., Commutator (Inc. No. 12)
3	93521	Screw - Sem	12	391705	Brush As'y.
4	393474	Stator - Alternator	13	391705	Armature As'y.
5	93410	Screw - Sem	14	392744	Housing As'y.
6	390233	Cover and Shield - Starter	15	392061	End Cap As'y., Drive
7	391968	Flywheel & Ring Gear As'y. - Magnet (Inc. No. 14)	16	391705	Thru Bolt As'y.
8	392134	Gear - Ring (Inc. Mounting Parts)	17	391125	Clutch As'y.
9	93523	Screw - Sem	18	280104	Gear
			19	391452	Retainer & Pin
			20	391461	Drive As'y. (Inc. No.'s. 17, 18 & 19)
			21	93754	Roll Pin

36" RIDING LAWN TRACTOR-MODEL NUMBER L0239AR
SCHEMATIC DIAGRAM

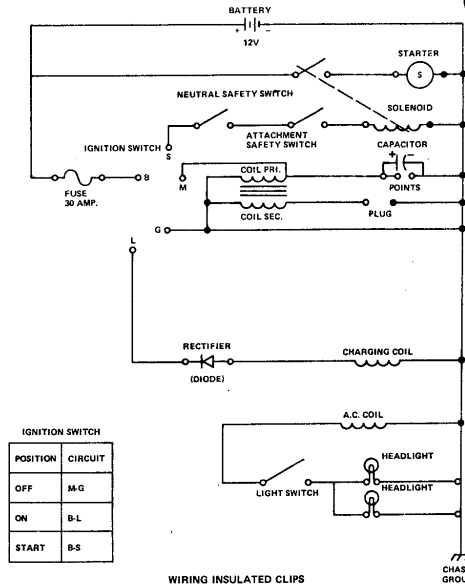


If Insulated Clips were removed for servicing of unit, they should be replaced to properly secure your wiring. There are three Insulated Clips on your Tractor.

1. L.H. side of Tractor for safety switch wires (Key No. 28, page 14).
2. R.H. side of Tractor securing wire harness and cable wire (Key No. 31, page 14).
3. Headlight wire (Key No. 26, page 14).

REPAIR PARTS

36" RIDING LAWN TRACTOR-MODEL NUMBER L1219AR
SCHEMATIC DIAGRAM

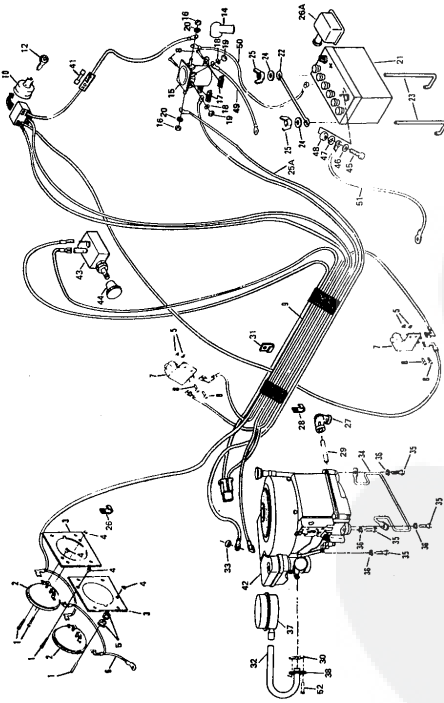


If Insulated Clips were removed for servicing of unit, they should be replaced to properly secure your wiring. There are three Insulated Clips on your Tractor.

1. L.H. side of Tractor for safety switch wires (Key No. 28, page 14).
2. R.H. side of Tractor securing wire harness and cable wire (Key No. 31, page 14).
3. Headlight wire (Key No. 26, page 14).

36" RIDING LAWN TRACTOR-MODEL NUMBER L1219AR

REPAIR PARTS
ELECTRIC & ENGINE



36" RIDING LAWN TRACTOR-MODEL NUMBER L1219AR

REPAIR PARTS
ELECTRIC & ENGINE

KEY NO.	PART NO.	DESCRIPTION
1	3220P	Spark Machine, Trust Head
2	6450R	Headlight, Standard
4	4822H	Nut, Lock No. 10-24 UNC
5	7110S	Washer, Flat No. 10-24 UNC
6	7110S	Washer, Flat No. 10-24 UNC
7	7765R	Safety Switch
8	5925P	Washer, Flat Phillips Head No. 10-24 x 1/2
9	5925P	Washer, Flat Phillips Head No. 10-24 x 1/2
10	4492R	Ignition Switch (Inc. Ref. No. 12)
11	7567H	Key Set
12	7567H	Key Set
13	7567H	Key Set
14	7567H	Key Set
15	7764R	Solenoid
16	7764R	Solenoid
17	678P	Nut, Speed No. 10-24 UNC
18	1006P	Washer, Lock No. 10-24 UNC
19	1006P	Washer, Lock No. 10-24 UNC
20	1006P	Washer, Lock No. 10-24 UNC
21	6718T	Lockwasher, S118
22	1507P	Battery Rod
23	1507P	Battery Rod
24	1507P	Battery Rod
25	677P	Wing Nut 1/4"-20 UNC
26	2521R	Insulated Clip
28	2521R	Insulated Clip
29	2521R	Insulated Clip
30	4520S	Capacitor
31	6784R	Attachment Safety Switch
32	13380	Nut, Lock 1/4"-20 UNC
33	13380	Nut, Lock 1/4"-20 UNC
34	1786J	Bracket, Mkt. Tmc. Rolling
35	5925P	Washer, Flat Phillips Head No. 10-24 x 1/2
36	5925P	Washer, Flat Phillips Head No. 10-24 x 1/2
37	677466	Muffler
38	1423	Exhaust Flange
39	1423	Exhaust Flange
40	252107	Engine - Briggs and Stratton 1, H.P. Model 1507-01 (See pages 26 thru 28)
41	252107	Engine - Briggs and Stratton 1, H.P. Model 1507-01 (See pages 26 thru 28)
42	252107	Engine - Briggs and Stratton 1, H.P. Model 1507-01 (See pages 26 thru 28)
43	7763R	Light Switch
44	7764R	*Washer, Light Switch 1/4"
45	1506P	*Washer, Flat 3/8 x 1/8 Gd.
46	1506P	*Washer, Flat 3/8 x 1/8 Gd.
47	400P	*Nut 1/4"-20 UNC
48	400P	*Nut 1/4"-20 UNC
49	8027R	Washer, Ground Solenoid
50	8027R	Washer, Ground Solenoid
51	5983	Ground Clips
52	1897J	Washer, Flat 3/8 x 1/8 Gd.
53	1897J	Washer, Flat 3/8 x 1/8 Gd.
54	1897J	Washer, Flat 3/8 x 1/8 Gd.
55	1897J	Washer, Flat 3/8 x 1/8 Gd.
56	1897J	Washer, Flat 3/8 x 1/8 Gd.
57	1897J	Washer, Flat 3/8 x 1/8 Gd.
58	1897J	Washer, Flat 3/8 x 1/8 Gd.
59	1897J	Washer, Flat 3/8 x 1/8 Gd.
60	1897J	Washer, Flat 3/8 x 1/8 Gd.
61	1897J	Washer, Flat 3/8 x 1/8 Gd.
62	1897J	Washer, Flat 3/8 x 1/8 Gd.
63	1897J	Washer, Flat 3/8 x 1/8 Gd.
64	1897J	Washer, Flat 3/8 x 1/8 Gd.
65	1897J	Washer, Flat 3/8 x 1/8 Gd.
66	1897J	Washer, Flat 3/8 x 1/8 Gd.
67	1897J	Washer, Flat 3/8 x 1/8 Gd.
68	1897J	Washer, Flat 3/8 x 1/8 Gd.
69	1897J	Washer, Flat 3/8 x 1/8 Gd.
70	1897J	Washer, Flat 3/8 x 1/8 Gd.
71	1897J	Washer, Flat 3/8 x 1/8 Gd.
72	1897J	Washer, Flat 3/8 x 1/8 Gd.
73	1897J	Washer, Flat 3/8 x 1/8 Gd.
74	1897J	Washer, Flat 3/8 x 1/8 Gd.
75	1897J	Washer, Flat 3/8 x 1/8 Gd.
76	1897J	Washer, Flat 3/8 x 1/8 Gd.
77	1897J	Washer, Flat 3/8 x 1/8 Gd.
78	1897J	Washer, Flat 3/8 x 1/8 Gd.
79	1897J	Washer, Flat 3/8 x 1/8 Gd.
80	1897J	Washer, Flat 3/8 x 1/8 Gd.
81	1897J	Washer, Flat 3/8 x 1/8 Gd.
82	1897J	Washer, Flat 3/8 x 1/8 Gd.
83	1897J	Washer, Flat 3/8 x 1/8 Gd.
84	1897J	Washer, Flat 3/8 x 1/8 Gd.
85	1897J	Washer, Flat 3/8 x 1/8 Gd.
86	1897J	Washer, Flat 3/8 x 1/8 Gd.
87	1897J	Washer, Flat 3/8 x 1/8 Gd.
88	1897J	Washer, Flat 3/8 x 1/8 Gd.
89	1897J	Washer, Flat 3/8 x 1/8 Gd.
90	1897J	Washer, Flat 3/8 x 1/8 Gd.
91	1897J	Washer, Flat 3/8 x 1/8 Gd.
92	1897J	Washer, Flat 3/8 x 1/8 Gd.
93	1897J	Washer, Flat 3/8 x 1/8 Gd.
94	1897J	Washer, Flat 3/8 x 1/8 Gd.
95	1897J	Washer, Flat 3/8 x 1/8 Gd.
96	1897J	Washer, Flat 3/8 x 1/8 Gd.
97	1897J	Washer, Flat 3/8 x 1/8 Gd.
98	1897J	Washer, Flat 3/8 x 1/8 Gd.
99	1897J	Washer, Flat 3/8 x 1/8 Gd.
100	1897J	Washer, Flat 3/8 x 1/8 Gd.

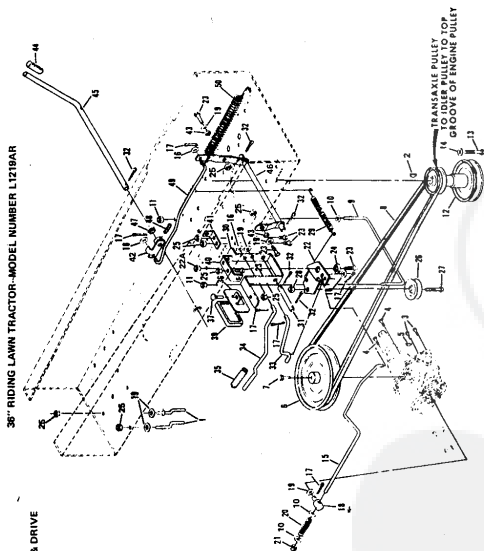
*STANDARD HARDWARE-PURCHASE LOCALLY

OPTIONAL EQUIPMENT

Spark Arrestor/Muffler L1248AR

REPAIR PARTS

CLUTCH-BRAKE & DRIVE



REPAIR PARTS

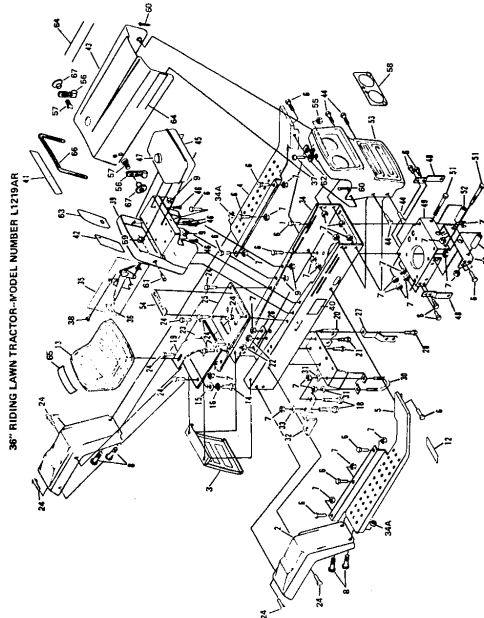
CLUTCH-BRAKE & DRIVE

REF. NO.	PART NO.	DESCRIPTION
1	71000	Blk Guide
2	60000	Screw, Hex Head w/Washer
3	60000	Screw, Hex Head w/Washer
4	60000	Screw, Hex Head w/Washer
5	52880	Washer, 1/8 x 1-1/8
6	72842	Pulley, 1/2 x 1-1/8
7	60000	Screw, Hex Head w/Washer
8	72394	V-Belt, 1/2 x 20 x 3/4
9	16110	Washer, 1/2 x 1-1/8
10	16110	Washer, 1/2 x 1-1/8
11	16110	Washer, 1/2 x 1-1/8
12	71000	Screw, Hex Head w/Washer
13	60000	Screw, Machine w/Ext. Lockwasher
14	16100	Washer, 1/2 x 1-1/8
15	16100	Washer, 1/2 x 1-1/8
16	16100	Washer, 1/2 x 1-1/8
17	20000	Washer, 3/8 x 1-1/4
18	16000	Washer, 1/2 x 1-1/8
19	16000	Washer, 1/2 x 1-1/8
20	51000	Washer, 1/2 x 1-1/8
21	51000	Washer, 1/2 x 1-1/8
22	71000	Screw, Hex Head w/Washer
23	500	Spring

*STANDARD HARDWARE - PURCHASE LOCALLY

REPAIR PARTS

CHASSIS



REPAIR PARTS

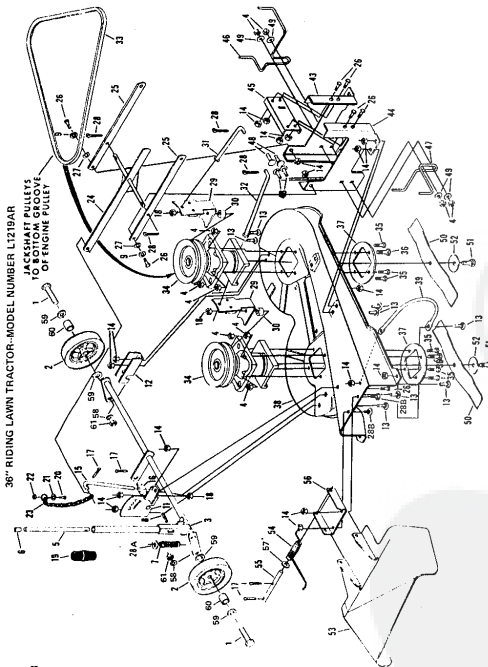
CHASSIS

REF. NO.	PART NO.	DESCRIPTION
1	30000	Front B.R.
2	30000	Front B.R.
3	15381	Rear Cover
4	15400	Rear Seat
5	15400	Rear Seat
6	57000	Nut, Lock 5/16-18 UNC
7	57000	Nut, Lock 5/16-18 UNC
8	20000	Bolt, Hex Head 5/16-18 x 1/2
9	20000	Bolt, Hex Head 5/16-18 x 1/2
10	11331	Washer, 5/16-18 x 3/4
11	11331	Washer, 5/16-18 x 3/4
12	11331	Washer, 5/16-18 x 3/4
13	20000	Bolt, Hex Head 5/16-18 x 1/2
14	20000	Bolt, Hex Head 5/16-18 x 1/2
15	15000	Washer 1/2 x 1-1/8
16	15000	Washer 1/2 x 1-1/8
17	15000	Washer 1/2 x 1-1/8
18	30120	Transaxle Support
19	30120	Transaxle Support
20	30120	Transaxle Support
21	30120	Transaxle Support
22	17501	Cover Plate, 3/4" Thick
23	17501	Cover Plate, 3/4" Thick
24	50000	Clutch Rod
25	67700	Clutch Cover
26	67700	Clutch Cover
27	71000	Screw, Hex Head 5/16-18 x 1
28	71000	Screw, Hex Head 5/16-18 x 1
29	71000	Screw, Hex Head 5/16-18 x 1
30	71000	Screw, Hex Head 5/16-18 x 1
31	71000	Screw, Hex Head 5/16-18 x 1
32	16100	Washer, 1/2 x 1-1/8
33	16100	Washer, 1/2 x 1-1/8
34	16100	Washer, 1/2 x 1-1/8
35	16100	Washer, 1/2 x 1-1/8
36	16100	Washer, 1/2 x 1-1/8
37	16100	Washer, 1/2 x 1-1/8
38	16100	Washer, 1/2 x 1-1/8
39	16100	Washer, 1/2 x 1-1/8
40	16100	Washer, 1/2 x 1-1/8
41	16100	Washer, 1/2 x 1-1/8
42	16100	Washer, 1/2 x 1-1/8
43	16100	Washer, 1/2 x 1-1/8
44	16100	Washer, 1/2 x 1-1/8
45	72000	Washer 1/2 x 1-1/8
46	72000	Washer 1/2 x 1-1/8
47	72000	Washer 1/2 x 1-1/8
48	72000	Washer 1/2 x 1-1/8
49	72000	Washer 1/2 x 1-1/8
50	72000	Washer 1/2 x 1-1/8
51	72000	Washer 1/2 x 1-1/8
52	72000	Washer 1/2 x 1-1/8
53	72000	Washer 1/2 x 1-1/8
54	72000	Washer 1/2 x 1-1/8
55	48200	Locknut No. 10-24 UNC
56	48200	Locknut No. 10-24 UNC
57	30000	Screw, Hex Head 5/16-18 x 1
58	60000	Screw, Hex Head 5/16-18 x 1
59	50000	Nut, Hex Head 5/16-18 x 1
60	50000	Nut, Hex Head 5/16-18 x 1
61	67500	Head Light Pin
62	67500	Head Light Pin
63	11331	Washer, 5/16-18 x 3/4
64	20000	Bolt, Hex Head 5/16-18 x 1/2
65	20000	Bolt, Hex Head 5/16-18 x 1/2
66	60000	Screw, Hex Head 5/16-18 x 1
67	60000	Screw, Hex Head 5/16-18 x 1

*STANDARD HARDWARE - PURCHASE LOCALLY

REPAIR PARTS

MOWER



38" RIDING LAWN TRACTOR—MODEL NUMBER L1219AR

REPAIR PARTS

MOWER

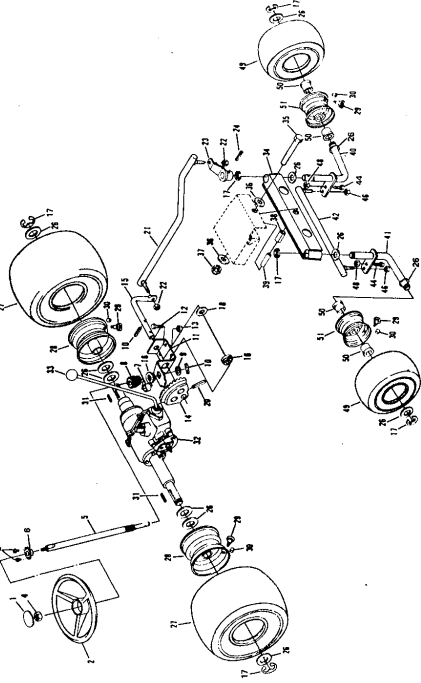
38" RIDING LAWN TRACTOR—MODEL NUMBER L1219AR

REF. NO.	PART NO.	DESCRIPTION	REF. NO.	PART NO.	DESCRIPTION
1	3198P	Hex Bolt 3/8" x 2 1/2" - 24 Gr. 5	29	877A46	Brake Assembly
2	877A13A	Front Rod Assembly	30	506J	Brake Pad
3	165J1	Nut, Lock 3/8" - 16 UNC	31	71525	Brake Rod - R.H.
4	849R	Cap - Lever Plunger	32	71526	Brake Rod - L.H.
5	849R	Cap - Lever Plunger	33	877A13A	Jackshaft Assembly
6	849R	Cap - Lever Plunger	34	877A13A	Jackshaft Assembly
7	849R	Cap - Lever Plunger	35	3023P	Roller - Hex Head 3/8" - 16 x 1 1/2
8	849R	Cap - Lever Plunger	36	3023P	Roller - Hex Head 3/8" - 16 x 1 1/2
9	849R	Cap - Lever Plunger	37	71575	Plat - Hex Head 3/8" - 16 x 1 1/2
10	849R	Cap - Lever Plunger	38	71575	Plat - Hex Head 3/8" - 16 x 1 1/2
11	849R	Cap - Lever Plunger	39	71575	Plat - Hex Head 3/8" - 16 x 1 1/2
12	849R	Cap - Lever Plunger	40	71575	Plat - Hex Head 3/8" - 16 x 1 1/2
13	849R	Cap - Lever Plunger	41	71575	Plat - Hex Head 3/8" - 16 x 1 1/2
14	849R	Cap - Lever Plunger	42	71575	Plat - Hex Head 3/8" - 16 x 1 1/2
15	849R	Cap - Lever Plunger	43	71575	Plat - Hex Head 3/8" - 16 x 1 1/2
16	849R	Cap - Lever Plunger	44	71575	Plat - Hex Head 3/8" - 16 x 1 1/2
17	849R	Cap - Lever Plunger	45	71575	Plat - Hex Head 3/8" - 16 x 1 1/2
18	849R	Cap - Lever Plunger	46	71575	Plat - Hex Head 3/8" - 16 x 1 1/2
19	849R	Cap - Lever Plunger	47	71575	Plat - Hex Head 3/8" - 16 x 1 1/2
20	849R	Cap - Lever Plunger	48	71575	Plat - Hex Head 3/8" - 16 x 1 1/2
21	849R	Cap - Lever Plunger	49	71575	Plat - Hex Head 3/8" - 16 x 1 1/2
22	849R	Cap - Lever Plunger	50	71575	Plat - Hex Head 3/8" - 16 x 1 1/2
23	849R	Cap - Lever Plunger	51	71575	Plat - Hex Head 3/8" - 16 x 1 1/2
24	849R	Cap - Lever Plunger	52	71575	Plat - Hex Head 3/8" - 16 x 1 1/2
25	849R	Cap - Lever Plunger	53	71575	Plat - Hex Head 3/8" - 16 x 1 1/2
26	849R	Cap - Lever Plunger	54	71575	Plat - Hex Head 3/8" - 16 x 1 1/2
27	849R	Cap - Lever Plunger	55	71575	Plat - Hex Head 3/8" - 16 x 1 1/2
28	849R	Cap - Lever Plunger	56	71575	Plat - Hex Head 3/8" - 16 x 1 1/2
29	849R	Cap - Lever Plunger	57	71575	Plat - Hex Head 3/8" - 16 x 1 1/2
30	849R	Cap - Lever Plunger	58	71575	Plat - Hex Head 3/8" - 16 x 1 1/2
31	849R	Cap - Lever Plunger	59	71575	Plat - Hex Head 3/8" - 16 x 1 1/2
32	849R	Cap - Lever Plunger	60	71575	Plat - Hex Head 3/8" - 16 x 1 1/2
33	849R	Cap - Lever Plunger	61	71575	Plat - Hex Head 3/8" - 16 x 1 1/2

* STANDARD HARDWARE—PURCHASE LOCALLY

REPAIR PARTS

STEERING AND WHEELS



36" RIDING LAWN TRACTOR—MODEL NUMBER L1219AR

REPAIR PARTS

STEERING AND WHEELS

36" RIDING LAWN TRACTOR—MODEL NUMBER L1219AR

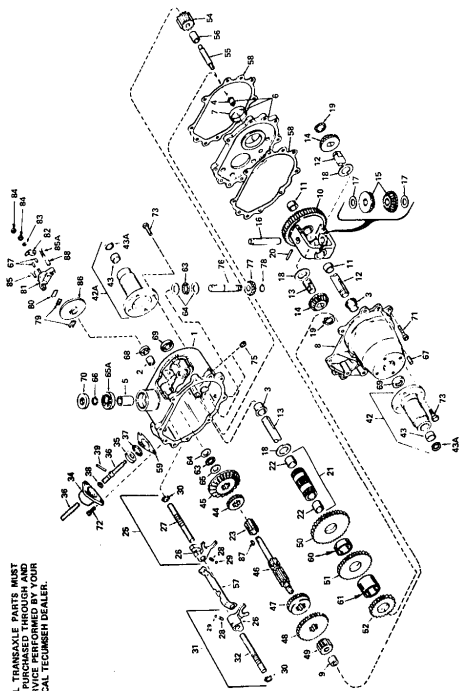
REF. NO.	PART NO.	DESCRIPTION	REF. NO.	PART NO.	DESCRIPTION
1	1114J	Steering Wheel Insert	29	86139	Valve Stem
2	506J	Brake Pad	30	59192	Valve Cup
3	506J	Brake Pad	31	794151A	Traverse Assembly (See Pages 24 and 25)
4	506J	Brake Pad	32	794151A	Traverse Assembly (See Pages 24 and 25)
5	1554J	Roller - Hex Head 3/8" - 16 x 1 1/2	33	55862	Rockers Bar Assembly
6	1554J	Roller - Hex Head 3/8" - 16 x 1 1/2	34	877A81	Rockers Bar Assembly
7	1554J	Roller - Hex Head 3/8" - 16 x 1 1/2	35	877A81	Rockers Bar Assembly
8	74851	Roller - Hex Head 3/8" - 16 x 1 1/2	36	1813P	Wheel, 17/32" x 7/8" x 16 Ga.
9	74851	Roller - Hex Head 3/8" - 16 x 1 1/2	37	87151	Wheel, 17/32" x 7/8" x 16 Ga.
10	5237P	Spring Pin 3/16" x 1 1/2	38	87151	Wheel, 17/32" x 7/8" x 16 Ga.
11	5237P	Spring Pin 3/16" x 1 1/2	39	71188	Pin, Spacer
12	5237P	Spring Pin 3/16" x 1 1/2	40	72237	Kingpin Assembly - L.H.
13	5237P	Spring Pin 3/16" x 1 1/2	41	72237	Kingpin Assembly - R.H.
14	5237P	Spring Pin 3/16" x 1 1/2	42	3021P	Roller - Hex Head 3/8" - 16 x 1 1/2
15	5237P	Spring Pin 3/16" x 1 1/2	43	3021P	Roller - Hex Head 3/8" - 16 x 1 1/2
16	5237P	Spring Pin 3/16" x 1 1/2	44	3021P	Roller - Hex Head 3/8" - 16 x 1 1/2
17	5237P	Spring Pin 3/16" x 1 1/2	45	582P	Nut, Lock 5/16" - 24 UNF
18	5237P	Spring Pin 3/16" x 1 1/2	46	582P	Nut, Lock 5/16" - 24 UNF
19	5237P	Spring Pin 3/16" x 1 1/2	47	582P	Nut, Lock 5/16" - 24 UNF
20	5237P	Spring Pin 3/16" x 1 1/2	48	71851	Wheel, 15/32" x 3/4" x 16 Ga.
21	5237P	Spring Pin 3/16" x 1 1/2	49	71851	Wheel, 15/32" x 3/4" x 16 Ga.
22	5237P	Spring Pin 3/16" x 1 1/2	50	71851	Wheel, 15/32" x 3/4" x 16 Ga.
23	5237P	Spring Pin 3/16" x 1 1/2	51	877A88	Roller - Hex Head 3/8" - 16 x 1 1/2

* STANDARD HARDWARE—PURCHASE LOCALLY

REPAIR PARTS

36" RIDING LAWN TRACTOR-MODEL NUMBER L1219A
TRANSEXLE-MODEL NUMBER 143.658A

ALL TRANSEXLE PARTS MUST BE PURCHASED THROUGH YOUR LOCAL TECUMSEH DEALER.



KEY NO.	PART NO.	DESCRIPTION
1	78491A	Complete Transaxle
2	78003	Gear Assy., Transaxle (Inc. No's. 2, 3 & 9)
3	78008	Housing, Blower
4	78009	Screw - Sem
5	78001	Screen - Fuel Rotating
6	78002	Nut - Hex
7	78005	Washer - Spring
8	78004	Washer - Spring
9	78006	Screw - Breaker Adjusting Sem
10	78007	Spring - Breaker Arm
11	78008	Breaker Assy. - Ignition (Inc. No. 10)
12	78009	Punger - Breaker Point
13	78010	Seal - Oil
14	78011	Cylinder Assy. (Inc. No. 13)
15	78012	Condenser
16	78013	Screw - Sem
17	78014	Clamp - Casing
18	78015	Screw - Sem
19	78016	Screw - Control Bracket Mounting
20	78017	Spacer - Control Bracket Mounting
21	78018	Plate - Gov. Control
22	78019	Spring - Governor
23	78020	Screw - Terminal
24	78021	Washer - Lock - Shakeproof
25	78022	Collar - Insulating
26	78023	Terminal - Spade
27	78024	Nut - Hex 8-32
28	78025	Wire - Ground
29	78026	Washer - Insulating
30	78027	Screw - E-Ring
31	78028	Cotter - Hair Pin
32	78029	Retainer - E-Ring
33	78030	Crank - Governor (1/4" Dia.)
34	78031	Soft - Governor Lever
35	78032	Washer - Gov. Crank (1/4" I.D.)
36	78033	Nut - Hex 10-24
37	78034	Lever Assy. - Governor (for 1/4" Dia. Crank) (Inc. No's. 35 & 36)
38	78035	Link - Governor
39	78036	Spring - Governor Link
40	78037	Link - Counterweight
41	78038	Pin - Counterweight
42	78039	Counterweight Assy. (Inc. No. 41)
43	78040	Screw - Counterweight
44	78041	Oil Slinger, Gov. Gear & Bracket Assy.
45	78042	Gear - Cam
46	78043	Screw - Sump Mounting Sem
47	78044	Plug - Oil Drain
48	78045	Gasket Set
49	78046	Gear - Bevel (32 Teeth)
50	78047	Shaft - Drive (1 1/2" Dia.)
51	78048	Gear - Counter (41 Tooth)
52	78049	Gear - Counter (41 Tooth)
53	78050	Shaft - Reverse Idler
54	78051	Screw - Reverse Idler
55	78052	Screw - Case & Cover
56	78053	Gasket - Case & Cover
57	78054	Shaft - Input
58	78055	Shaft - Output
59	78056	Shaft - Gear
60	78057	Shaft - Gear
61	78058	Shaft - Gear
62	78059	Shaft - Gear
63	78060	Shaft - Gear
64	78061	Shaft - Gear
65	78062	Shaft - Gear
66	78063	Shaft - Gear
67	78064	Shaft - Gear
68	78065	Shaft - Gear
69	78066	Shaft - Gear
70	78067	Shaft - Gear
71	78068	Shaft - Gear
72	78069	Shaft - Gear
73	78070	Shaft - Gear
74	78071	Shaft - Gear
75	78072	Shaft - Gear
76	78073	Shaft - Gear
77	78074	Shaft - Gear
78	78075	Shaft - Gear
79	78076	Shaft - Gear
80	78077	Shaft - Gear
81	78078	Shaft - Gear
82	78079	Shaft - Gear
83	78080	Shaft - Gear
84	78081	Shaft - Gear
85	78082	Shaft - Gear
86	78083	Shaft - Gear
87	78084	Shaft - Gear
88	78085	Shaft - Gear
89	78086	Shaft - Gear
90	78087	Shaft - Gear
91	78088	Shaft - Gear
92	78089	Shaft - Gear
93	78090	Shaft - Gear
94	78091	Shaft - Gear
95	78092	Shaft - Gear
96	78093	Shaft - Gear
97	78094	Shaft - Gear

REPAIR PARTS

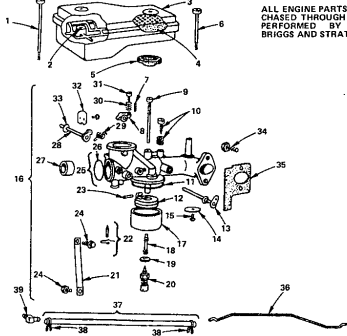
36" RIDING LAWN TRACTOR-MODEL NUMBER L1219A
TRANSEXLE-MODEL NUMBER 143.658A

KEY NO.	PART NO.	DESCRIPTION
98	78095	Screw - Flange (1/4" x 20 x 1-1/4)
99	78096	Screw - Flange (1/4" x 20 x 1-1/4)
100	78097	Screw - Flange (1/4" x 20 x 1-1/4)
101	78098	Screw - Flange (1/4" x 20 x 1-1/4)
102	78099	Screw - Flange (1/4" x 20 x 1-1/4)
103	78100	Screw - Flange (1/4" x 20 x 1-1/4)
104	78101	Screw - Flange (1/4" x 20 x 1-1/4)
105	78102	Screw - Flange (1/4" x 20 x 1-1/4)
106	78103	Screw - Flange (1/4" x 20 x 1-1/4)
107	78104	Screw - Flange (1/4" x 20 x 1-1/4)
108	78105	Screw - Flange (1/4" x 20 x 1-1/4)
109	78106	Screw - Flange (1/4" x 20 x 1-1/4)
110	78107	Screw - Flange (1/4" x 20 x 1-1/4)
111	78108	Screw - Flange (1/4" x 20 x 1-1/4)
112	78109	Screw - Flange (1/4" x 20 x 1-1/4)
113	78110	Screw - Flange (1/4" x 20 x 1-1/4)
114	78111	Screw - Flange (1/4" x 20 x 1-1/4)
115	78112	Screw - Flange (1/4" x 20 x 1-1/4)
116	78113	Screw - Flange (1/4" x 20 x 1-1/4)
117	78114	Screw - Flange (1/4" x 20 x 1-1/4)
118	78115	Screw - Flange (1/4" x 20 x 1-1/4)
119	78116	Screw - Flange (1/4" x 20 x 1-1/4)
120	78117	Screw - Flange (1/4" x 20 x 1-1/4)
121	78118	Screw - Flange (1/4" x 20 x 1-1/4)
122	78119	Screw - Flange (1/4" x 20 x 1-1/4)
123	78120	Screw - Flange (1/4" x 20 x 1-1/4)
124	78121	Screw - Flange (1/4" x 20 x 1-1/4)
125	78122	Screw - Flange (1/4" x 20 x 1-1/4)
126	78123	Screw - Flange (1/4" x 20 x 1-1/4)
127	78124	Screw - Flange (1/4" x 20 x 1-1/4)
128	78125	Screw - Flange (1/4" x 20 x 1-1/4)
129	78126	Screw - Flange (1/4" x 20 x 1-1/4)
130	78127	Screw - Flange (1/4" x 20 x 1-1/4)
131	78128	Screw - Flange (1/4" x 20 x 1-1/4)
132	78129	Screw - Flange (1/4" x 20 x 1-1/4)
133	78130	Screw - Flange (1/4" x 20 x 1-1/4)
134	78131	Screw - Flange (1/4" x 20 x 1-1/4)
135	78132	Screw - Flange (1/4" x 20 x 1-1/4)
136	78133	Screw - Flange (1/4" x 20 x 1-1/4)
137	78134	Screw - Flange (1/4" x 20 x 1-1/4)
138	78135	Screw - Flange (1/4" x 20 x 1-1/4)
139	78136	Screw - Flange (1/4" x 20 x 1-1/4)
140	78137	Screw - Flange (1/4" x 20 x 1-1/4)
141	78138	Screw - Flange (1/4" x 20 x 1-1/4)
142	78139	Screw - Flange (1/4" x 20 x 1-1/4)
143	78140	Screw - Flange (1/4" x 20 x 1-1/4)
144	78141	Screw - Flange (1/4" x 20 x 1-1/4)
145	78142	Screw - Flange (1/4" x 20 x 1-1/4)
146	78143	Screw - Flange (1/4" x 20 x 1-1/4)
147	78144	Screw - Flange (1/4" x 20 x 1-1/4)
148	78145	Screw - Flange (1/4" x 20 x 1-1/4)
149	78146	Screw - Flange (1/4" x 20 x 1-1/4)
150	78147	Screw - Flange (1/4" x 20 x 1-1/4)
151	78148	Screw - Flange (1/4" x 20 x 1-1/4)
152	78149	Screw - Flange (1/4" x 20 x 1-1/4)
153	78150	Screw - Flange (1/4" x 20 x 1-1/4)
154	78151	Screw - Flange (1/4" x 20 x 1-1/4)
155	78152	Screw - Flange (1/4" x 20 x 1-1/4)
156	78153	Screw - Flange (1/4" x 20 x 1-1/4)
157	78154	Screw - Flange (1/4" x 20 x 1-1/4)
158	78155	Screw - Flange (1/4" x 20 x 1-1/4)
159	78156	Screw - Flange (1/4" x 20 x 1-1/4)
160	78157	Screw - Flange (1/4" x 20 x 1-1/4)
161	78158	Screw - Flange (1/4" x 20 x 1-1/4)
162	78159	Screw - Flange (1/4" x 20 x 1-1/4)
163	78160	Screw - Flange (1/4" x 20 x 1-1/4)
164	78161	Screw - Flange (1/4" x 20 x 1-1/4)
165	78162	Screw - Flange (1/4" x 20 x 1-1/4)
166	78163	Screw - Flange (1/4" x 20 x 1-1/4)
167	78164	Screw - Flange (1/4" x 20 x 1-1/4)
168	78165	Screw - Flange (1/4" x 20 x 1-1/4)
169	78166	Screw - Flange (1/4" x 20 x 1-1/4)
170	78167	Screw - Flange (1/4" x 20 x 1-1/4)
171	78168	Screw - Flange (1/4" x 20 x 1-1/4)
172	78169	Screw - Flange (1/4" x 20 x 1-1/4)
173	78170	Screw - Flange (1/4" x 20 x 1-1/4)
174	78171	Screw - Flange (1/4" x 20 x 1-1/4)
175	78172	Screw - Flange (1/4" x 20 x 1-1/4)
176	78173	Screw - Flange (1/4" x 20 x 1-1/4)
177	78174	Screw - Flange (1/4" x 20 x 1-1/4)
178	78175	Screw - Flange (1/4" x 20 x 1-1/4)
179	78176	Screw - Flange (1/4" x 20 x 1-1/4)
180	78177	Screw - Flange (1/4" x 20 x 1-1/4)
181	78178	Screw - Flange (1/4" x 20 x 1-1/4)
182	78179	Screw - Flange (1/4" x 20 x 1-1/4)
183	78180	Screw - Flange (1/4" x 20 x 1-1/4)
184	78181	Screw - Flange (1/4" x 20 x 1-1/4)
185	78182	Screw - Flange (1/4" x 20 x 1-1/4)
186	78183	Screw - Flange (1/4" x 20 x 1-1/4)
187	78184	Screw - Flange (1/4" x 20 x 1-1/4)
188	78185	Screw - Flange (1/4" x 20 x 1-1/4)
189	78186	Screw - Flange (1/4" x 20 x 1-1/4)
190	78187	Screw - Flange (1/4" x 20 x 1-1/4)
191	78188	Screw - Flange (1/4" x 20 x 1-1/4)
192	78189	Screw - Flange (1/4" x 20 x 1-1/4)
193	78190	Screw - Flange (1/4" x 20 x 1-1/4)
194	78191	Screw - Flange (1/4" x 20 x 1-1/4)
195	78192	Screw - Flange (1/4" x 20 x 1-1/4)
196	78193	Screw - Flange (1/4" x 20 x 1-1/4)
197	78194	Screw - Flange (1/4" x 20 x 1-1/4)
198	78195	Screw - Flange (1/4" x 20 x 1-1/4)
199	78196	Screw - Flange (1/4" x 20 x 1-1/4)
200	78197	Screw - Flange (1/4" x 20 x 1-1/4)
201	78198	Screw - Flange (1/4" x 20 x 1-1/4)
202	78199	Screw - Flange (1/4" x 20 x 1-1/4)
203	78200	Screw - Flange (1/4" x 20 x 1-1/4)
204	78201	Screw - Flange (1/4" x 20 x 1-1/4)
205	78202	Screw - Flange (1/4" x 20 x 1-1/4)
206	78203	Screw - Flange (1/4" x 20 x 1-1/4)
207	78204	Screw - Flange (1/4" x 20 x 1-1/4)
208	78205	Screw - Flange (1/4" x 20 x 1-1/4)
209	78206	Screw - Flange (1/4" x 20 x 1-1/4)
210	78207	Screw - Flange (1/4" x 20 x 1-1/4)
211	78208	Screw - Flange (1/4" x 20 x 1-1/4)
212	78209	Screw - Flange (1/4" x 20 x 1-1/4)
213	78210	Screw - Flange (1/4" x 20 x 1-1/4)
214	78211	Screw - Flange (1/4" x 20 x 1-1/4)
215	78212	Screw - Flange (1/4" x 20 x 1-1/4)
216	78213	Screw - Flange (1/4" x 20 x 1-1/4)
217	78214	Screw - Flange (1/4" x 20 x 1-1/4)
218	78215	Screw - Flange (1/4" x 20 x 1-1/4)
219	78216	Screw - Flange (1/4" x 20 x 1-1/4)
220	78217	Screw - Flange (1/4" x 20 x 1-1/4)
221	78218	Screw - Flange (1/4" x 20 x 1-1/4)
222	78219	Screw - Flange (1/4" x 20 x 1-1/4)
223	78220	Screw - Flange (1/4" x 20 x 1-1/4)
224	78221	Screw - Flange (1/4" x 20 x 1-1/4)
225	78222	Screw - Flange (1/4" x 20 x 1-1/4)
226	78223	Screw - Flange (1/4" x 20 x 1-1/4)
227	78224	Screw - Flange (1/4" x 20 x 1-1/4)
228	78225	Screw - Flange (1/4" x 20 x 1-1/4)
229	78226	Screw - Flange (1/4" x 20 x 1-1/4)
230	78227	Screw - Flange (1/4" x 20 x 1-1/4)
231	78228	Screw - Flange (1/4" x 20 x 1-1/4)
232	78229	Screw - Flange (1/4" x 20 x 1-1/4)
233	78230	Screw - Flange (1/4" x 20 x 1-1/4)
234	78231	Screw - Flange (1/4" x 20 x 1-1/4)
235	78232	Screw - Flange (1/4" x 20 x 1-1/4)
236	78233	Screw - Flange (1/4" x 20 x 1-1/4)
237	78234	Screw - Flange (1/4" x 20 x 1-1/4)
238	78235	Screw - Flange (1/4" x 20 x 1-1/4)
239	78236	Screw - Flange (1/4" x 20 x 1-1/4)
240	78237	Screw - Flange (1/4" x 20 x 1-1/4)
241	78238	Screw - Flange (1/4" x 20 x 1-1/4)
242	78239	Screw - Flange (1/4" x 20 x 1-1/4)
243	78240	Screw - Flange (1/4" x 20 x 1-1/4)
244	78241	Screw - Flange (1/4" x 20 x 1-1/4)
245	78242	Screw - Flange (1/4" x 20 x 1-1/4)
246	78243	Screw - Flange (1/4" x 20 x 1-1/4)
247	78244	Screw - Flange (1/4" x 20 x 1-1/4)
248	78245	Screw - Flange (1/4" x 20 x 1-1/4)
249	78246	Screw - Flange (1/4" x 20 x 1-1/4)
250	78247	Screw - Flange (1/4" x 20 x 1-1/4)
251	78248	Screw - Flange (1/4" x 20 x 1-1/4)
252	78249	Screw - Flange (1/4" x 20 x 1-1/4)
253	78250	Screw - Flange (1/4" x 20 x 1-1/4)
254	78251	Screw - Flange (1/4" x 20 x 1-1/4)
255	78252	Screw - Flange (1/4" x 20 x 1-1/4)
256	78253	Screw - Flange (1/4" x 20 x 1-1/4)
257	78254	Screw - Flange (1/4" x 20 x 1-1/4)
258	78255	Screw - Flange (1/4" x 20 x 1-1/4)
259	78256	Screw - Flange (1/4" x 20 x 1-1/4)
260	78257	Screw - Flange (1/4" x 20 x 1-1/4)
261	78258	Screw - Flange (1/4" x 20 x 1-1/4)
262	78259	Screw - Flange (1/4" x 20 x 1-1/4)
263	78260	Screw - Flange (1/4" x 20 x 1-1/4)
264	78261	Screw - Flange (1/4" x 20 x 1-1/4)
265	78262	Screw - Flange (1/4" x 20 x 1-1/4)
266	78263	Screw - Flange (1/4" x 20 x 1-1/4)
267	78264	Screw - Flange (1/4" x 20 x 1-1/4)
268	78265	Screw - Flange (1/4" x 20 x 1-1/4)
269	78266	Screw - Flange (1/4" x 20 x 1-1/4)
270	78267	Screw - Flange (1/4" x 20 x 1-1/4)
271	78268	Screw - Flange (1/4" x 20 x 1-1/4)
272	78269	Screw - Flange (1/4" x 20 x 1-1/4)
273	78270	Screw - Flange (1/4" x 20 x 1-1/4)
274	78271	Screw - Flange (1/4" x 20 x 1-1/4)
275	78272	Screw - Flange (1/4" x 20 x 1-1/4)
276	78273	Screw - Flange (1/4" x 20 x 1-1/4)
277	78274	Screw - Flange (1/4" x 20 x 1-1/4)
278	78275	Screw - Flange (1/4" x 20 x 1-1/4)

REPAIR PARTS

36" RIDING LAWN TRACTOR-MODEL NUMBER L1219AR
BRIGGS & STRATTON 11 H.P. ENGINE-MODEL NO. 252707, TYPE NO. 0172-01

AIR CLEANER AND CARBURETOR



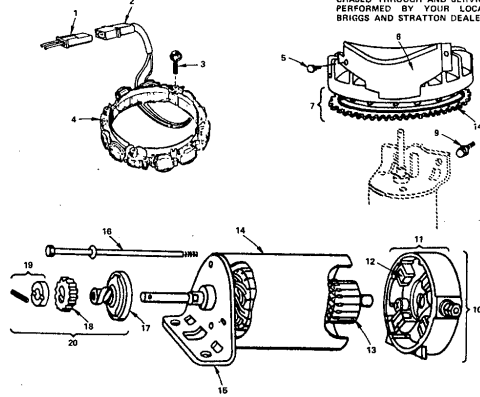
ALL ENGINE PARTS MUST BE PURCHASED THROUGH AND SERVICE PERFORMED BY YOUR LOCAL BRIGGS AND STRATTON DEALER.

KEY NO.	PART NO.	DESCRIPTION	KEY NO.	PART NO.	DESCRIPTION
1	93323	Screw - Air Cleaner	24	93572	Screw
2	280118	Support - Air Cleaner Element	25	391787	Body Ass'y. - Carburetor (Inc. No. 26)
3	391786	Cleaner Ass'y. - Air (Inc. No's. 2 & 4)	26	221997	*Plug - Wash
4	270843	Element - Air Cleaner	27	211960	Venturi - Carburetor
5	270853	Gasket - Air Cleaner	28	390894	Shaft & Lever - Choke
6	93322	Screw - Air Cleaner	29	261115	Spring - Choke Return
7	93043	Pin - Throttle Stop	30	26157	Spring - Throttle Adjustment
8	211712	Stop - Throttle	31	91520	Screw - Machine, Flat, Hd. 8 - 32 x 5/8"
9	296740	Nozzle - Carburetor	32	222010	Valve Choke
10	292681	*Valve Ass'y. - Carburetor Idle	33	270382	Washer - Choke Shaft
11	270811	*Gasket - Float Bowl	34	93321	Screw - Carburetor Mtg.
12	299707	Float - Carburetor	35	270872	*Gasket - Carburetor Mtg.
13	391512	Shaft & Lever - Throttle	36	291224	Link - Choke
14	222858	Valve - Throttle	37	296004	Pipe - Fuel (Inc. No. 38)
15	93499	Screw - Throttle & Choke Valve Mtg.	38	93053	Clamp - Fuel Pipe
18	393410	Carburetor Ass'y. (Choke-A-Matic) (Inc. No's. 7 thru 23)	39	67218	Connector - Fuel Pipe
17	221995	Bowl - Float			
18	230652	*Screw - Nozzle			*INCLUDED IN CARBURETOR OVERHAUL KIT - PART NO. 299852
19	222014	*Washer - Float Bowl			*INCLUDED IN GASKET SET - PART NO. 393411
20	391233	*Valve - Needle			
21	222311	Bracket - Carburetor			
22	299098	*Valve - Fuel Inlet			
23	230696	*Pin - Float Hinge			

REPAIR PARTS

36" RIDING LAWN TRACTOR-MODEL NUMBER L1219AR
BRIGGS & STRATTON 11 H.P. ENGINE-MODEL NO. 252707, TYPE NO. 0172-01

ALTERNATOR AND STARTER MOTOR GROUP

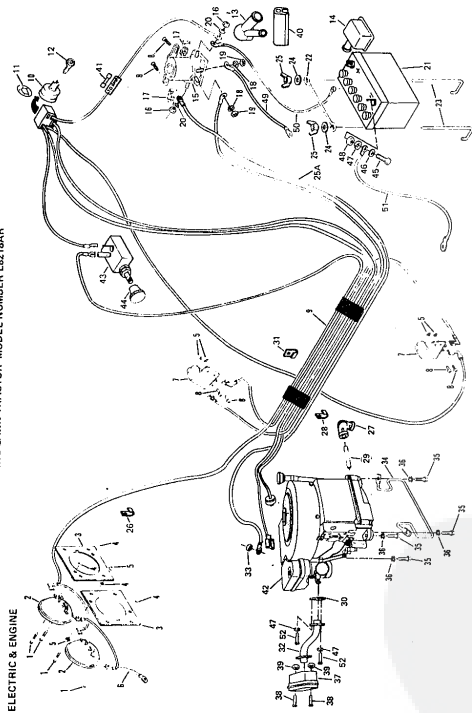


ALL ENGINE PARTS MUST BE PURCHASED THROUGH AND SERVICE PERFORMED BY YOUR LOCAL BRIGGS AND STRATTON DEALER.

KEY NO.	PART NO.	DESCRIPTION	KEY NO.	PART NO.	DESCRIPTION
1	393362	Alt. Harness Assembly	10	392749	Motor and Drive Ass'y. (12 Volt) (Inc. No's. 11 thru 20)
2	393456	Diode and Conn. Assembly	11	390846	End Cap Ass'y. Commutator (Inc. No. 12)
3	93621	Screw - Sem	12	391705	Brush Ass'y.
4	394474	Stator - Alternator	13	390233	Cover and Shield - Starter
5	53410	Screw - Sem	14	292744	Flywheel & Ring Gear Ass'y. - Magneto (Inc. No. 14)
6	390233	Cover and Shield - Starter	15	391705	Thru Bolt Ass'y. Drive
7	391969	Flywheel & Ring Gear Ass'y. - Magneto (Inc. No. 14)	16	391705	Thru Bolt Ass'y. Drive
8	393134	Gear - Ring (Inc. Mounting Parts)	17	391135	Catch Ass'y.
9	93623	Screw - Sem	18	280104	Gear
			19	391462	Retainer & Pin
			20	391461	Drive Ass'y. (Inc. No's. 17, 18 & 19)

REPAIR PARTS

ELECTRIC & ENGINE



REPAIR PARTS

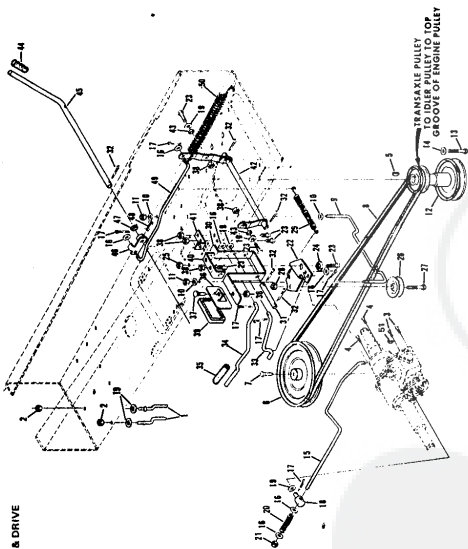
ELECTRIC & ENGINE

KEY NO.	PART NO.	DESCRIPTION	KEY NO.	PART NO.	DESCRIPTION
1	65421	Screw, Machine Truss Head	27	4017P	Sd. Elbow 90° 3/8 - 18 NPT
2	6452R	Washer, 3/16 x 1	28	3245R	Insulated Clip
3	23005	Headlight	29	27144	Exhaust Gasket
4	39119	Headlight Support - 24	30	27144	Exhaust Gasket
5	661P	Nut, Lock No. 10 - 24	31	93714	Exhaust Tube
6	39119	Headlight Support - 24	32	59480	Washer, 9/16 x 5/8 x 1 1/2
7	7756R	Safety Switch	33	59480	Washer, 9/16 x 5/8 x 1 1/2
8	3359P	Screw, Machine Phillips Head	34	9368P	*Washer, Lock 3/8
9	478	Wire Harness	35	1004P	Washer, Lock 3/8
10	8557R	Terminal Identifier	36	2715	Marbler
11	8557R	Terminal Identifier	37	2715	Marbler
12	2522H	Key-Set (Over - Chalk)	38	5492	Nut, Lock 5/16 - 18
13	2522H	Key-Set (Over - Chalk)	39	5492	Nut, Lock 5/16 - 18
14	2522H	Key-Set (Over - Chalk)	40	5347R	Frame - 20 Arms
15	2522H	Key-Set (Over - Chalk)	41	191707	Engine - Briggs and Stratton 8 H.P. (Inc. Paper 20 thru 28)
16	2522H	Key-Set (Over - Chalk)	42	7739R	Light Switch
17	608B1	Nut, Speed No. 10 - 24	43	1506P	*Washer 9/32 x 5/8 x 1 1/2 Gh.
18	5439P	*Nut, Hex No. 10 - 32	44	391135	*Hex Nut 1/4 - 20
19	5439P	*Nut, Hex No. 10 - 32	45	391135	*Hex Nut 1/4 - 20
20	2282P	Washer, 3/16 x 5/8 x 1 1/2 Gh.	46	8039P	*Hex Nut 1/4 - 20
21	2282P	Washer, 3/16 x 5/8 x 1 1/2 Gh.	47	8039P	*Hex Nut 1/4 - 20
22	2282P	Washer, 3/16 x 5/8 x 1 1/2 Gh.	48	8039P	*Hex Nut 1/4 - 20
23	2282P	Washer, 3/16 x 5/8 x 1 1/2 Gh.	49	8039P	*Hex Nut 1/4 - 20
24	2282P	Washer, 3/16 x 5/8 x 1 1/2 Gh.	50	8039P	*Hex Nut 1/4 - 20
25	2282P	Washer, 3/16 x 5/8 x 1 1/2 Gh.	51	8039P	*Hex Nut 1/4 - 20
26	2282P	Washer, 3/16 x 5/8 x 1 1/2 Gh.	52	8039P	*Hex Nut 1/4 - 20
			53	8039P	*Hex Nut 1/4 - 20
			54	8039P	*Hex Nut 1/4 - 20
			55	8039P	*Hex Nut 1/4 - 20
			56	8039P	*Hex Nut 1/4 - 20
			57	8039P	*Hex Nut 1/4 - 20
			58	8039P	*Hex Nut 1/4 - 20
			59	8039P	*Hex Nut 1/4 - 20
			60	8039P	*Hex Nut 1/4 - 20
			61	8039P	*Hex Nut 1/4 - 20
			62	8039P	*Hex Nut 1/4 - 20
			63	8039P	*Hex Nut 1/4 - 20
			64	8039P	*Hex Nut 1/4 - 20
			65	8039P	*Hex Nut 1/4 - 20
			66	8039P	*Hex Nut 1/4 - 20
			67	8039P	*Hex Nut 1/4 - 20
			68	8039P	*Hex Nut 1/4 - 20
			69	8039P	*Hex Nut 1/4 - 20
			70	8039P	*Hex Nut 1/4 - 20
			71	8039P	*Hex Nut 1/4 - 20
			72	8039P	*Hex Nut 1/4 - 20
			73	8039P	*Hex Nut 1/4 - 20
			74	8039P	*Hex Nut 1/4 - 20
			75	8039P	*Hex Nut 1/4 - 20
			76	8039P	*Hex Nut 1/4 - 20
			77	8039P	*Hex Nut 1/4 - 20
			78	8039P	*Hex Nut 1/4 - 20
			79	8039P	*Hex Nut 1/4 - 20
			80	8039P	*Hex Nut 1/4 - 20
			81	8039P	*Hex Nut 1/4 - 20
			82	8039P	*Hex Nut 1/4 - 20
			83	8039P	*Hex Nut 1/4 - 20
			84	8039P	*Hex Nut 1/4 - 20
			85	8039P	*Hex Nut 1/4 - 20
			86	8039P	*Hex Nut 1/4 - 20
			87	8039P	*Hex Nut 1/4 - 20
			88	8039P	*Hex Nut 1/4 - 20
			89	8039P	*Hex Nut 1/4 - 20
			90	8039P	*Hex Nut 1/4 - 20
			91	8039P	*Hex Nut 1/4 - 20
			92	8039P	*Hex Nut 1/4 - 20
			93	8039P	*Hex Nut 1/4 - 20
			94	8039P	*Hex Nut 1/4 - 20
			95	8039P	*Hex Nut 1/4 - 20
			96	8039P	*Hex Nut 1/4 - 20
			97	8039P	*Hex Nut 1/4 - 20
			98	8039P	*Hex Nut 1/4 - 20
			99	8039P	*Hex Nut 1/4 - 20
			100	8039P	*Hex Nut 1/4 - 20

*STANDARD HARDWARE PURCHASE LOCALLY

REPAIR PARTS

36" RIDING LAWN TRACTOR—MODEL NUMBER LZ21BAR
CLUTCH BRAKE & DRIVE



REPAIR PARTS

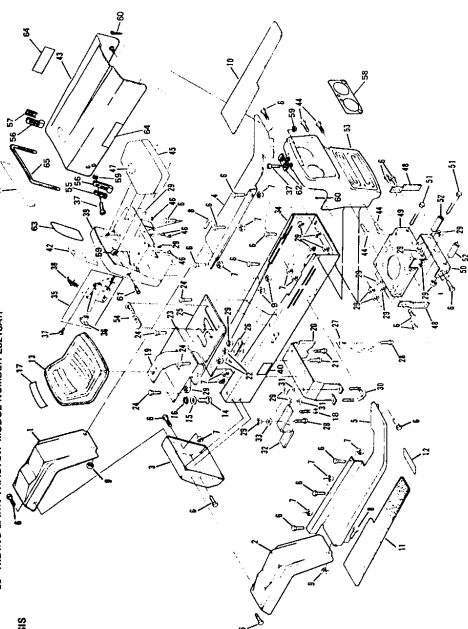
36" RIDING LAWN TRACTOR—MODEL NUMBER LZ21BAR
CLUTCH BRAKE & DRIVE

KEY PART NO.	DESCRIPTION	KEY PART NO.	DESCRIPTION
1	Roller Guide	23	*Nut, Hex Head 5/16 - 18 x 3/4
2	*Nut, Lock 5/16 - 18	24	Brake Pin
3	Screw, Hex Head w/Washer	25	*Nut, Lock 5/16 - 18
4	Screw, Hex Head w/Washer	26	*Nut, Hex Head 3/8 - 16 x 1 - 1/2
5	*Key, Woodruff No. 6	27	*Spring, 1.50" Dia. x 1.50" High
6	*Pulley, Transaxle	28	*Spring, 1.50" Dia. x 1.50" High
7	*Washer, 3/8 x .750 x .063	29	*Spring, 1.50" Dia. x 1.50" High
8	*Washer, 3/8 x .750 x .063	30	*Spring, 1.50" Dia. x 1.50" High
9	*Washer, 3/8 x .750 x .063	31	*Spring, 1.50" Dia. x 1.50" High
10	*Washer, 3/8 x .750 x .063	32	*Spring, 1.50" Dia. x 1.50" High
11	*Washer, 3/8 x .750 x .063	33	*Spring, 1.50" Dia. x 1.50" High
12	*Washer, 3/8 x .750 x .063	34	*Spring, 1.50" Dia. x 1.50" High
13	*Washer, 3/8 x .750 x .063	35	*Spring, 1.50" Dia. x 1.50" High
14	*Washer, 3/8 x .750 x .063	36	*Spring, 1.50" Dia. x 1.50" High
15	*Washer, 3/8 x .750 x .063	37	*Spring, 1.50" Dia. x 1.50" High
16	*Washer, 3/8 x .750 x .063	38	*Spring, 1.50" Dia. x 1.50" High
17	*Washer, 3/8 x .750 x .063	39	*Spring, 1.50" Dia. x 1.50" High
18	*Washer, 3/8 x .750 x .063	40	*Spring, 1.50" Dia. x 1.50" High
19	*Washer, 3/8 x .750 x .063	41	*Spring, 1.50" Dia. x 1.50" High
20	*Washer, 3/8 x .750 x .063	42	*Spring, 1.50" Dia. x 1.50" High
21	*Washer, 3/8 x .750 x .063	43	*Spring, 1.50" Dia. x 1.50" High
22	*Washer, 3/8 x .750 x .063	44	*Spring, 1.50" Dia. x 1.50" High

*STANDARD HARDWARE—PURCHASE LOCALLY

REPAIR PARTS

36" RIDING LAWN TRACTOR—MODEL NUMBER LZ21BAR
CHASSIS



REPAIR PARTS

36" RIDING LAWN TRACTOR—MODEL NUMBER LZ21BAR
CHASSIS

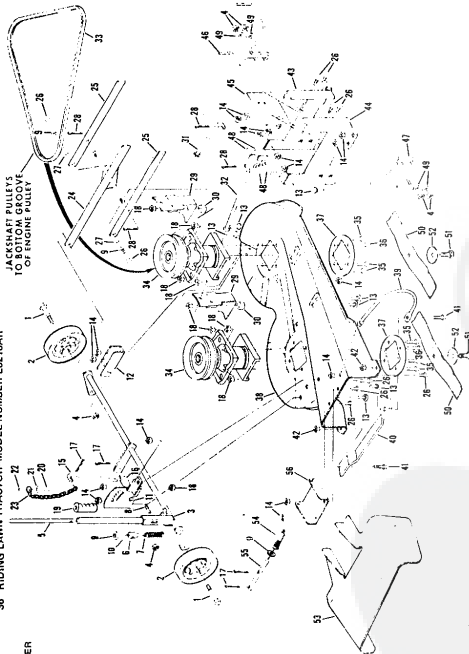
KEY PART NO.	DESCRIPTION	KEY PART NO.	DESCRIPTION
1	*Frame, L.H.	35	Throttle Control Lever (Inc. Key No. 28)
2	*Frame, R.H.	36	*Screw, Hex Head 1/2 - 24 x 1/2
3	*Foot Rest, L.H.	37	*Screw, Hex Head 1/2 - 24 x 1/2
4	*Foot Rest, R.H.	38	*Nut, Lock 1/2 - 24
5	*Foot Rest, L.H. w/Washer 1/2 - 24 x 3/4	39	*Nut, Lock 1/2 - 24
6	*Foot Rest, R.H. w/Washer 1/2 - 24 x 3/4	40	*Decal, "B"
7	*Nut, Lock 1/2 - 18	41	*Decal, "C"
8	*Nut, Lock 1/2 - 18	42	*Decal, "D"
9	*Nut, Lock 5/16 - 18	43	*Decal, "E"
10	*Nut, Lock 5/16 - 18	44	*Headrest, 14" x 20" x 3/4
11	*Foot Rest Pad, R.H.	45	*Screw, Hex Head 5/16 - 18 x 2 - 3/4
12	*Foot Rest Pad, L.H.	46	*Screw, Hex Head 5/16 - 18 x 2 - 3/4
13	*Seat	47	*Screw, Hex Head 5/16 - 18 x 2 - 3/4
14	*Seat Spring	48	*Screw, Hex Head 5/16 - 18 x 2 - 3/4
15	*Washer, Lock 1/2 - 18 x 1 - 1/4	49	*Screw, Hex Head 5/16 - 18 x 2 - 3/4
16	*Washer, Lock 1/2 - 18 x 1 - 1/4	50	*Screw, Hex Head 5/16 - 18 x 2 - 3/4
17	*Washer, Lock 1/2 - 18 x 1 - 1/4	51	*Screw, Hex Head 5/16 - 18 x 2 - 3/4
18	*Washer, Lock 1/2 - 18 x 1 - 1/4	52	*Screw, Hex Head 5/16 - 18 x 2 - 3/4
19	*Washer, Lock 1/2 - 18 x 1 - 1/4	53	*Screw, Hex Head 5/16 - 18 x 2 - 3/4
20	*Washer, Lock 1/2 - 18 x 1 - 1/4	54	*Screw, Hex Head 5/16 - 18 x 2 - 3/4
21	*Washer, Lock 1/2 - 18 x 1 - 1/4	55	*Screw, Hex Head 5/16 - 18 x 2 - 3/4
22	*Washer, Lock 1/2 - 18 x 1 - 1/4	56	*Screw, Hex Head 5/16 - 18 x 2 - 3/4
23	*Washer, Lock 1/2 - 18 x 1 - 1/4	57	*Screw, Hex Head 5/16 - 18 x 2 - 3/4
24	*Washer, Lock 1/2 - 18 x 1 - 1/4	58	*Screw, Hex Head 5/16 - 18 x 2 - 3/4
25	*Washer, Lock 1/2 - 18 x 1 - 1/4	59	*Screw, Hex Head 5/16 - 18 x 2 - 3/4
26	*Washer, Lock 1/2 - 18 x 1 - 1/4	60	*Screw, Hex Head 5/16 - 18 x 2 - 3/4
27	*Washer, Lock 1/2 - 18 x 1 - 1/4	61	*Screw, Hex Head 5/16 - 18 x 2 - 3/4
28	*Washer, Lock 1/2 - 18 x 1 - 1/4	62	*Screw, Hex Head 5/16 - 18 x 2 - 3/4
29	*Washer, Lock 1/2 - 18 x 1 - 1/4	63	*Screw, Hex Head 5/16 - 18 x 2 - 3/4
30	*Washer, Lock 1/2 - 18 x 1 - 1/4	64	*Screw, Hex Head 5/16 - 18 x 2 - 3/4
31	*Washer, Lock 1/2 - 18 x 1 - 1/4	65	*Screw, Hex Head 5/16 - 18 x 2 - 3/4
32	*Washer, Lock 1/2 - 18 x 1 - 1/4	66	*Screw, Hex Head 5/16 - 18 x 2 - 3/4
33	*Washer, Lock 1/2 - 18 x 1 - 1/4	67	*Screw, Hex Head 5/16 - 18 x 2 - 3/4
34	*Washer, Lock 1/2 - 18 x 1 - 1/4	68	*Screw, Hex Head 5/16 - 18 x 2 - 3/4

*STANDARD HARDWARE—PURCHASE LOCALLY

REPAIR PARTS

36" RIDING LAWN TRACTOR-MODEL NUMBER L821BAR

MOWER



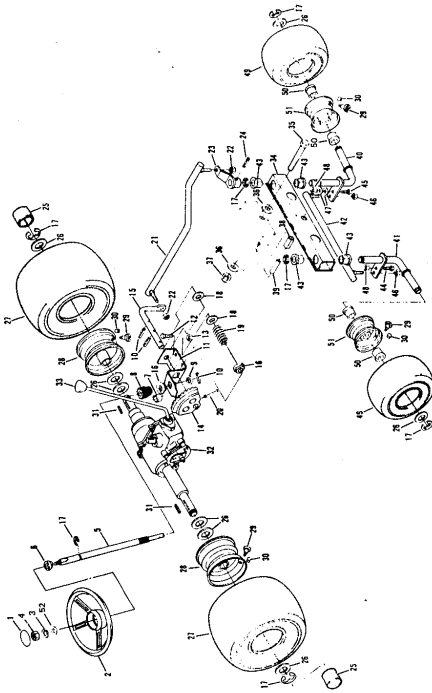
KEY NO.	PART NO.	DESCRIPTION
1	6053R	Axle Bolt
2	71071	Front Rod
3	71071	Front Rod Assembly
4	694A1	Nut, Lock 3/8 - 16
5	71071	Front Rod
6	71071	Pulley
7	71071	Blade
8	44990	Blade
9	5999R	Washer, .238 x .753 x .053
10	72731	Spring Pin - Slotted 1/4 x 1 - 1/2
11	72731	Cladent Assembly
12	597	Washer, .238 x .753 x .053
13	597	Spring Pin - Slotted 1/4 x 1 - 1/2
14	6710R	Nut, Lock 5/16 - 18
15	71071	Blade
16	71071	Blade
17	71071	Blade
18	71071	Blade
19	71071	Blade
20	71071	Blade
21	71071	Blade
22	71071	Blade
23	71071	Blade
24	71071	Blade
25	71071	Blade
26	71071	Blade
27	71071	Blade
28	2909P	Center Pin 1/8 x 1

*STANDARD HARDWARE-PURCHASE LOCALLY

REPAIR PARTS

36" RIDING LAWN TRACTOR-MODEL NUMBER L821BAR

STEERING & WHEELS

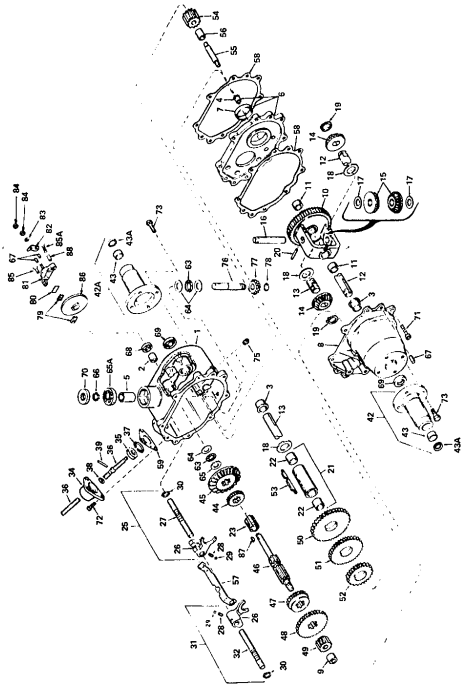


KEY NO.	PART NO.	DESCRIPTION
1	6053R	Axle Bolt
2	6053R	Steering Wheel
3	1000P	Steering Wheel Insert
4	6053R	Steering Wheel
5	74279	Washer, 1/2
6	74279	Steering Shaft, 17 x 20
7	74280	Steering Shaft
8	74280	Steering Shaft
9	74280	Steering Shaft
10	74280	Steering Shaft
11	74280	Steering Shaft
12	74280	Steering Shaft
13	74280	Steering Shaft
14	74280	Steering Shaft
15	74280	Steering Shaft
16	74280	Steering Shaft
17	74280	Steering Shaft
18	74280	Steering Shaft
19	74280	Steering Shaft
20	74280	Steering Shaft
21	74280	Steering Shaft
22	74280	Steering Shaft
23	74280	Steering Shaft
24	74280	Steering Shaft
25	74280	Steering Shaft
26	74280	Steering Shaft
27	74280	Steering Shaft
28	71653	Rim

*STANDARD HARDWARE-PURCHASE LOCALLY

REPAIR PARTS

36" RIDING LAWN TRACTOR-MODEL NUMBER L8218AR
TRANSAKLE NO. 784191-MODEL NUMBER 143.658



REPAIR PARTS

36" RIDING LAWN TRACTOR-MODEL NUMBER L8218AR
TRANSAKLE NO. 784191-MODEL NUMBER 143.658

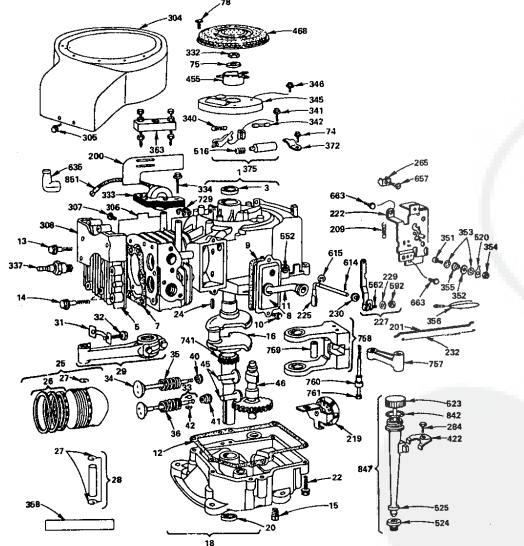
KEY NO.	PART NO.	DESCRIPTION	KEY NO.	PART NO.	DESCRIPTION
1	734191	Complete Transaxle	227	391733	Lever Assy. - Governor (For 1/4" Dia. Crank)
2	730093	Gear Assy. No. Transaxle (Inc. No. 2, 2.8 & 5)	229	220680	Washer - Flat
3	730094	Gasket - Valve Cover	230	224450	Washer - Gov. Lever (1 1/4" I.D.)
4	730095	Timing Belt	232	260584	Spring - Governor Link
5	730096	Timing Bracket	265	221535	Clamp - Casing
6	730097	Timing Cover	298	93084	Screw - Clamp Mtg.
7	730098	Timing Pulley	304	381379	Housing - Blower
8	730099	Timing Pulley (35T Teeth)	305	222830	Screw - Blower Housing Mounting Sem
9	730100	Timing Pulley (35T Teeth)	306	222830	Shield - Cylinder
10	730101	Timing Pulley (35T Teeth)	307	931153	Screw - Cylinder Shield Mtg. Sem
11	730102	Timing Pulley (35T Teeth)	308	222636	Cover - Cylinder Head
12	730103	Timing Pulley (35T Teeth)	322	93284	Nut - Flywheel
13	730104	Timing Pulley (35T Teeth)	333	238988	Armature Assembly
14	730105	Timing Pulley (35T Teeth)	334	93381	Screw - Armature Mounting Sem
15	730106	Timing Pulley (35T Teeth)	337	233918	Plug, Spark (1 - 1 1/2" High - 38 M.M. Resistor)
16	730107	Timing Pulley (35T Teeth)	340	20218	NOTE: Ignition Cable Terminal No. 221798
17	730108	Timing Pulley (35T Teeth)	341	93381	Spring - Breaker Arm
18	730109	Timing Pulley (35T Teeth)	342	65704	Screw - Breaker Arm Mounting Sem
19	730110	Timing Pulley (35T Teeth)	343	65704	Plunger - Breaker Point
20	730111	Timing Pulley (35T Teeth)	345	221117	Cover - Breaker Point
21	730112	Timing Pulley (35T Teeth)	346	93014	Screw - Sem
22	730113	Timing Pulley (35T Teeth)	351	93755	Screw - Terminal
23	730114	Timing Pulley (35T Teeth)	352	69068	Washer - Insulating
24	730115	Timing Pulley (35T Teeth)	353	93791	Washer - Lock Shakerproof
25	730116	Timing Pulley (35T Teeth)	354	96576	Nut - Hex 8 - 32
26	730117	Timing Pulley (35T Teeth)	355	96554	Collar - Insulating
27	730118	Timing Pulley (35T Teeth)	356	299500	Wire - Ground
28	730119	Timing Pulley (35T Teeth)	358	299577	Gasket Set
29	730120	Timing Pulley (35T Teeth)	363	19165	Pusher - Flywheel
30	730121	Timing Pulley (35T Teeth)	372	220477	Clamp - Condenser
31	730122	Timing Pulley (35T Teeth)	375	238428	Breaker Points and Condenser Set
32	730123	Timing Pulley (35T Teeth)	422	NOTE: 299081 Ignition Kit Includes 294626 Point Set, 65704 Plunger, 61760 Key, Flywheel	
33	730124	Timing Pulley (35T Teeth)	455	227561	Clamp - Oil Filler Tube
34	730125	Timing Pulley (35T Teeth)	468	227562	Cup - Screen Mounting
35	730126	Timing Pulley (35T Teeth)	523	381840	Screen - Flush Rotating
36	730127	Timing Pulley (35T Teeth)	524	68838	Seal - Filler Tube
37	730128	Timing Pulley (35T Teeth)	525	93013	Tube - Oil Filler
38	730129	Timing Pulley (35T Teeth)	562	231055	Bushing - Gov. Crank (1 1/4" I.D.)
39	730130	Timing Pulley (35T Teeth)	567	93036	Nut - Hex 10 - 24
40	730131	Timing Pulley (35T Teeth)	614	93306	Cotter - Hair Pin
41	730132	Timing Pulley (35T Teeth)	615	93307	Retainer - E-Ring
42	730133	Timing Pulley (35T Teeth)	635	66538	Elbow - Spark Plug
43	730134	Timing Pulley (35T Teeth)	651	93490	Screw - Sem
44	730135	Timing Pulley (35T Teeth)	663	93572	Screw
45	730136	Timing Pulley (35T Teeth)	729	22190	Clip - Wire
46	730137	Timing Pulley (35T Teeth)	741	261195	Gear - Timing
47	730138	Timing Pulley (35T Teeth)	757	211875	Link - Counterweight
48	730139	Timing Pulley (35T Teeth)	768	390172	Counterweight Assy.
49	730140	Timing Pulley (35T Teeth)	759	268909	Pin - Counterweight
50	730141	Timing Pulley (35T Teeth)	760	238940	Spacer - Counterweight
51	730142	Timing Pulley (35T Teeth)	761	93874	Screw - Counterweight
52	730143	Timing Pulley (35T Teeth)	842	220820	Seal - Filler Cap
53	730144	Timing Pulley (35T Teeth)	843	382066	Filler Group - Oil
54	730145	Timing Pulley (35T Teeth)	851	221798	Terminal - Ignition Cable
55	730146	Timing Pulley (35T Teeth)			INCLUDED IN GASKET SET - PART NO. 299577

REPAIR PARTS

36" RIDING LAWN TRACTOR-MODEL NUMBER L8218AR
BRIGGS & STRATTON 8 H.P. ENGINE-MODEL NO. 191707, TYPE NO. 5627-01

CYLINDER, CRANKSHAFT AND ENGINE BASE GROUP

ALL ENGINE PARTS MUST BE PURCHASED THROUGH AND SERVICE PERFORMED BY YOUR LOCAL BRIGGS AND STRATTON DEALER.



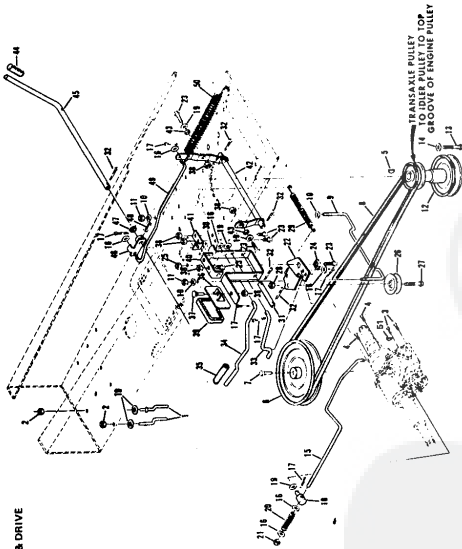
REPAIR PARTS

36" RIDING LAWN TRACTOR-MODEL NUMBER L8218AR
BRIGGS & STRATTON 8 H.P. ENGINE-MODEL NO. 191707, TYPE NO. 5627-01

KEY NO.	PART NO.	DESCRIPTION	KEY NO.	PART NO.	DESCRIPTION
1	392005	Cylinder Assembly (Inc. Key No. 3)	227	391733	Lever Assy. - Governor (For 1/4" Dia. Crank)
2	391726	Seal - Oil	229	220680	Washer - Flat
3	294606	Gasket - Valve Cover	230	224450	Washer - Gov. Lever (1 1/4" I.D.)
4	212885	Timing Belt	232	260584	Spring - Governor Link
5	270430	Timing Bracket	265	221535	Clamp - Casing
6	391406	Timing Cover	298	93084	Screw - Clamp Mtg.
7	278033	Timing Pulley	304	381379	Housing - Blower
8	391406	Timing Pulley (35T Teeth)	305	222830	Screw - Blower Housing Mounting Sem
9	280505	Timing Pulley (35T Teeth)	306	222830	Shield - Cylinder
10	93304	Timing Pulley (35T Teeth)	307	931153	Screw - Cylinder Shield Mtg. Sem
11	280505	Timing Pulley (35T Teeth)	308	222636	Cover - Cylinder Head
12	27750	Timing Pulley (35T Teeth)	322	93284	Nut - Flywheel
13	27876	Timing Pulley (35T Teeth)	333	238988	Armature Assembly
14	27877	Timing Pulley (35T Teeth)	334	93381	Screw - Armature Mounting Sem
15	93211	Timing Pulley (35T Teeth)	337	233918	Plug, Spark (1 - 1 1/2" High - 38 M.M. Resistor)
16	93223	Timing Pulley (35T Teeth)	340	20218	NOTE: Ignition Cable Terminal No. 221798
17	91094	Timing Pulley (35T Teeth)	341	93381	Spring - Breaker Arm
18	391752	Timing Pulley (35T Teeth)	342	65704	Screw - Breaker Arm Mounting Sem
19	298516	Timing Pulley (35T Teeth)	343	65704	Plunger - Breaker Point
20	298423	Timing Pulley (35T Teeth)	345	221117	Cover - Breaker Point
21	83685	Timing Pulley (35T Teeth)	346	93014	Screw - Sem
22	81760	Timing Pulley (35T Teeth)	351	93755	Screw - Terminal
23	391673	Timing Pulley (35T Teeth)	352	69068	Washer - Insulating
24	391674	Timing Pulley (35T Teeth)	353	93791	Washer - Lock Shakerproof
25	391675	Timing Pulley (35T Teeth)	354	96576	Nut - Hex 8 - 32
26	391676	Timing Pulley (35T Teeth)	355	96554	Collar - Insulating
27	391677	Timing Pulley (35T Teeth)	356	299500	Wire - Ground
28	391678	Timing Pulley (35T Teeth)	358	299577	Gasket Set
29	391679	Timing Pulley (35T Teeth)	363	19165	Pusher - Flywheel
30	391680	Timing Pulley (35T Teeth)	372	220477	Clamp - Condenser
31	299743	Timing Pulley (35T Teeth)	375	238428	Breaker Points and Condenser Set
32	391681	Timing Pulley (35T Teeth)	422	NOTE: 299081 Ignition Kit Includes 294626 Point Set, 65704 Plunger, 61760 Key, Flywheel	
33	391682	Timing Pulley (35T Teeth)	455	227561	Clamp - Oil Filler Tube
34	68546	Timing Pulley (35T Teeth)	468	227562	Cup - Screen Mounting
35	205840	Timing Pulley (35T Teeth)	523	381840	Screen - Flush Rotating
36	285841	Timing Pulley (35T Teeth)	524	68838	Seal - Filler Tube
37	390402	Timing Pulley (35T Teeth)	525	93013	Tube - Oil Filler
38	22114	Timing Pulley (35T Teeth)	562	231055	Bushing - Gov. Crank (1 1/4" I.D.)
39	390402	Timing Pulley (35T Teeth)	567	93036	Nut - Hex 10 - 24
40	22114	Timing Pulley (35T Teeth)	614	93306	Cotter - Hair Pin
41	390402	Timing Pulley (35T Teeth)	615	93307	Retainer - E-Ring
42	22114	Timing Pulley (35T Teeth)	635	66538	Elbow - Spark Plug
43	390402	Timing Pulley (35T Teeth)	651	93490	Screw - Sem
44	22114	Timing Pulley (35T Teeth)	663	93572	Screw
45	390402	Timing Pulley (35T Teeth)	729	22190	Clip - Wire
46	22114	Timing Pulley (35T Teeth)	741	261195	Gear - Timing
47	390402	Timing Pulley (35T Teeth)	757	211875	Link - Counterweight
48	22114	Timing Pulley (35T Teeth)	768	390172	Counterweight Assy.
49	390402	Timing Pulley (35T Teeth)	759	268909	Pin - Counterweight
50	22114	Timing Pulley (35T Teeth)	760	238940	Spacer - Counterweight
51	390402	Timing Pulley (35T Teeth)	761	93874	Screw - Counterweight
52	22114	Timing Pulley (35T Teeth)	842	220820	Seal - Filler Cap
53	390402	Timing Pulley (35T Teeth)	843	382066	Filler Group - Oil
54	22114	Timing Pulley (35T Teeth)	851	221798	Terminal - Ignition Cable
55	390402	Timing Pulley (35T Teeth)			INCLUDED IN GASKET SET - PART NO. 299577

REPAIR PARTS

36" RIDING LAWN TRACTOR-MODEL NUMBER L8218BR
CLUTCH-BRAKE & DRIVE



REPAIR PARTS

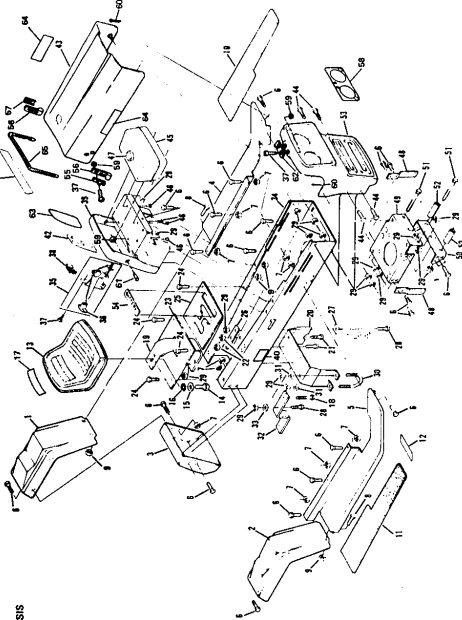
36" RIDING LAWN TRACTOR-MODEL NUMBER L8218BR
CLUTCH-BRAKE & DRIVE

KEY NO.	PART NO.	DESCRIPTION
1	2422	Pin Guide
2	2422	Nut, Lock 5/16 - 18
3	65205	Screw, Hex Head w/Washer
4	65206	Screw, Hex Head w/Washer
5	65203	KTY Woodruff No. 6
6	73522	Pulley, Transaxle
7	65208	Washer, 3/8 x 1.250 x .003
8	71741	Med Ball Guide
9	71741	Washer, .600 x .875 x .003
10	51785	Washer, .375 x 1.250 x .201
11	51785	Pulley, Engine
12	71823	Washer, .606 x .750 x .003
13	68874	Washer, .606 x .750 x .003
14	67125	Washer, .375 x 1.250 x .201
15	53988	Washer, .606 x .750 x .003
16	53988	Washer, .606 x .750 x .003
17	71738	Trunion
18	71738	Trunion
19	35280	Washer, .328 x .750 x .003
20	35280	Washer, .328 x .750 x .003
21	62536	Nut, Lock 3/8 - 16
22	71201	Idler Bracket

*STANDARD HARDWARE PURCHASE LOCALLY

REPAIR PARTS

36" RIDING LAWN TRACTOR-MODEL NUMBER L8218BR
CHASSIS



REPAIR PARTS

36" RIDING LAWN TRACTOR-MODEL NUMBER L8218BR
CHASSIS

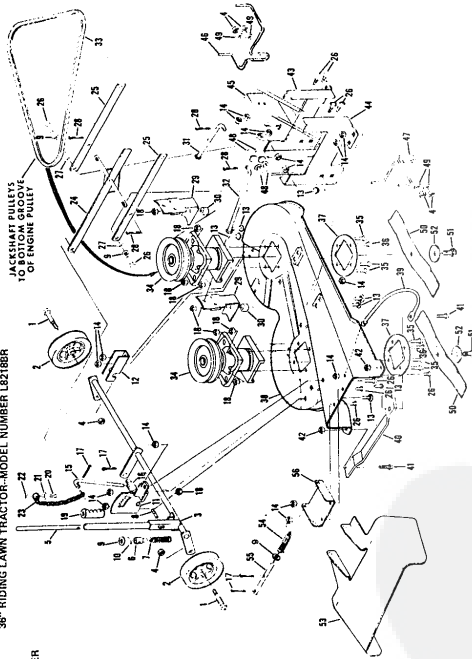
KEY NO.	PART NO.	DESCRIPTION
1	3884	Fender, L.H.
2	3884	Fender, R.H.
3	3884	Fender, L.H.
4	3884	Fender, R.H.
5	60913	Fuel Filter, R1 1/4" x 1.25" x 3/4"
6	60913	Fuel Filter, R1 1/4" x 1.25" x 3/4"
7	73718	Nut, Lock 5/16 - 18
8	94482	Spring, 1/4" x 3/8" x 5/16 - 18
9	53271	Nut, Lock 5/16 - 18
10	53271	Nut, Lock 5/16 - 18
11	73303	Foot Rest Pad, R.H.
12	73303	Foot Rest Pad, L.H.
13	1486J	Seat - Cushion and Base
14	5343P	Washer, 1/2" x 1.25" x .003
15	10009	Washer, Lock 1/2"
16	10009	Washer, Lock 1/2"
17	52454	Seat Spring
18	52454	Seat Spring
19	73790	Ball, Hex Head 5/16 - 18 x 1.1/4
20	73790	Ball, Hex Head 5/16 - 18 x 1.1/4
21	30239	Ball, Hex Head 5/16 - 18 x 1.1/4
22	30239	Ball, Hex Head 5/16 - 18 x 1.1/4
23	5833	Cover Plate
24	71263	Chast Cover
25	677453	Chast Cover
26	71158	Washer, 1/2" x 1.25" x .003
27	71158	Washer, 1/2" x 1.25" x .003
28	68116	Nut, Lock 5/16 - 18 x 1
29	68116	Nut, Lock 5/16 - 18 x 1
30	71696	Clamp
31	71205	Toe-Hitch
32	71205	Toe-Hitch
33	72329	Chain
34	72329	Chain

*STANDARD HARDWARE PURCHASE LOCALLY

REPAIR PARTS

36" RIDING LAWN TRACTOR—MODEL NUMBER L8218BR

MOWER



REPAIR PARTS

36" RIDING LAWN TRACTOR—MODEL NUMBER L8218BR

MOWER

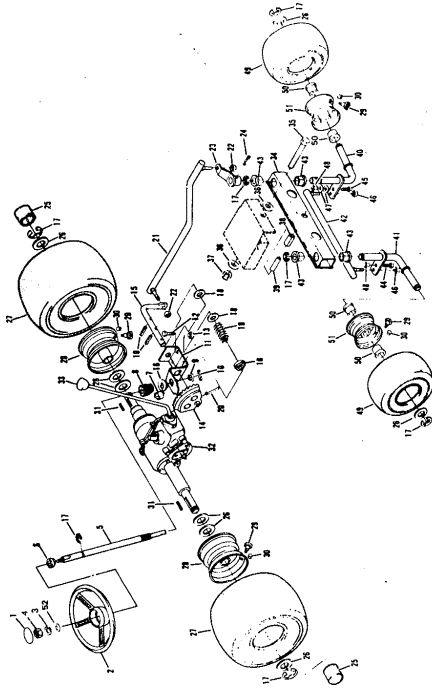
KEY NO.	PART NO.	DESCRIPTION	KEY NO.	PART NO.	DESCRIPTION
2	65529	Eye Bolt	20	71822	Blade Discharge Assembly
3	71821	Pin Rod Assembly	21	71823	Blade Spring
4	71822	Lock Pin	22	71824	Blade Spring L.H.
5	71823	Lock Pin R	23	62983	Blade Spring R.H.
6	71824	Spring	24	62984	Blade Spring L.H.
7	71825	Spring	25	62985	Blade Spring R.H.
8	54880	Spring Pin - Slotted 1/4 x 1-1/2	26	30274	Blade Head 3/8" 16 x 1-1/2
9	54881	Spring Pin - Slotted 1/4 x 1-1/2	27	67743	Housing w/SH. Screening
10	52970	Spring Pin 1/8 x 5/8	28	67744	Housing w/SH. Screening
11	52971	Spring Pin 1/8 x 5/8	29	67745	Housing w/SH. Screening
12	62337	Pin Rod Support	30	74016	Solid Bar
13	159	Pin Rod	31	51457	Screw, Machine 5/16 - 18 x 7/8
14	159	Pin Rod	32	71226	Housing Bracket L.H.
15	71300	Adjustment Rod	33	71227	Housing Bracket R.H.
16	62235	Pin, Lock 3/8 - 16	34	71228	Chamfer
17	23759	Pin, Lock 3/8 - 16	35	71229	Blade Kicker - R.H.
18	62235	Pin, Lock 3/8 - 16	36	1994	Blade Kicker - L.H.
19	62235	Pin, Lock 3/8 - 16	37	71230	Blade Kicker - R.H.
20	23759	Pin, Lock 3/8 - 16	38	71231	Blade Kicker - L.H.
21	65329	Phillips Pan Hd. Machine Screw	39	71232	Blade Kicker - R.H.
22	53800	Washer 206 x 1.003	40	71233	Blade Kicker - L.H.
23	72915	Parallel Rod Assembly	41	71234	Blade Kicker - R.H.
24	72915	Parallel Rod Assembly	42	71235	Blade Kicker - L.H.
25	72915	Parallel Rod Assembly	43	71236	Blade Kicker - R.H.
26	30109	Blade Spring	44	71237	Blade Kicker - L.H.
27	71815	Blade Spring	45	71238	Blade Kicker - R.H.
28	71815	Blade Spring	46	71239	Blade Kicker - L.H.
29	71815	Blade Spring	47	71240	Blade Kicker - R.H.
30	71815	Blade Spring	48	71241	Blade Kicker - L.H.
31	71815	Blade Spring	49	71242	Blade Kicker - R.H.
32	71815	Blade Spring	50	71243	Blade Kicker - L.H.
33	71815	Blade Spring	51	71244	Blade Kicker - R.H.
34	71815	Blade Spring	52	71245	Blade Kicker - L.H.
35	71815	Blade Spring	53	71246	Blade Kicker - R.H.
36	71815	Blade Spring	54	71247	Blade Kicker - L.H.
37	71815	Blade Spring	55	71248	Blade Kicker - R.H.
38	71815	Blade Spring	56	71249	Blade Kicker - L.H.

*STANDARD HARDWARE—PURCHASE LOCALLY

REPAIR PARTS

36" RIDING LAWN TRACTOR—MODEL NUMBER L8218BR

STEERING & WHEELS



REPAIR PARTS

36" RIDING LAWN TRACTOR—MODEL NUMBER L8218BR

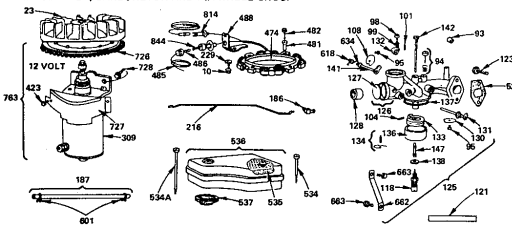
STEERING AND WHEELS

KEY NO.	PART NO.	DESCRIPTION	KEY NO.	PART NO.	DESCRIPTION
1	11141	Steering Wheel Inset	29	65139	Valve Stem
2	5001	Steering Wheel	30	50192	Valve Cap
3	5002	Steering Wheel Nut	31	70116	Valve Seal
4	5003	Steering Wheel Bolt	32	70117	Valve Seal
5	5004	Steering Wheel Bolt	33	70118	Valve Seal
6	71219	Steering Shaft	34	71207	Transaxle Assembly, Aoshif 143.658A
7	71220	Steering Shaft	35	71208	Transaxle Assembly, Aoshif 143.658A
8	71221	Steering Shaft	36	71209	Transaxle Assembly, Aoshif 143.658A
9	69395	Washer, 650 x 1.00 x .127	37	71170	Roller Bar Assembly
10	69396	Washer, 650 x 1.00 x .127	38	59194	Roller Bar Assembly
11	74579	Steering Arm Bolt	39	67109	Washer, 515 x 875 x .053
12	30709	Pin, Hex Head 5/16 - 18 x 3/4	40	67110	Washer, 515 x 875 x .053
13	71122	Pin, Hex Head 5/16 - 18 x 3/4	41	71188	Pin, Spacer
14	71122	Pin, Hex Head 5/16 - 18 x 3/4	42	71189	Pin, Spacer
15	71122	Pin, Hex Head 5/16 - 18 x 3/4	43	71190	Pin, Spacer
16	71208	Steering Knuckle	44	30719	Pin, Hex Head 3/8 - 16 x 3/4
17	52913	E-Ring 2 3/4 Shaft	45	67882	Nut, Lock 5/16 - 24
18	52913	E-Ring 2 3/4 Shaft	46	67883	Nut, Lock 5/16 - 24
19	72988	Spring	47	67884	Nut, Lock 5/16 - 24
20	72989	Spring	48	67885	Nut, Lock 5/16 - 24
21	71210	Drive Lock Pin	49	67886	Nut, Lock 5/16 - 24
22	71211	Drive Lock Pin	50	67887	Nut, Lock 5/16 - 24
23	71212	Drive Lock Pin	51	67888	Nut, Lock 5/16 - 24
24	62079	Spring Pin 1/4 x 1-1/4	52	53822	Washer, 551 x 1.00 x .053
25	62079	Spring Pin 1/4 x 1-1/4			
26	19919	Blade Spring			
27	71653	Blade Spring			
28	71652	Blade Spring			

*STANDARD HARDWARE—PURCHASE LOCALLY

REPAIR PARTS

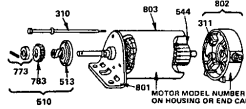
36" RIDING LAWN TRACTOR—MODEL NUMBER L8218BR
BRIGGS & STRATTON 8 H.P. ENGINE—MODEL NO. 191707, TYPE NO. 5627-01
AIR CLEANER, CARBURETOR AND FLYWHEEL GROUP



KEY NO.	PART NO.	DESCRIPTION	KEY NO.	PART NO.	DESCRIPTION
10	92304	Screw - Set	216	291117	Link Choke
23	381983	Flywheel and Ring Gear As'y. - Magneto	229	220680	Washer, Flat
52	210824	Gasket - Carburetor Mounting	309	392749	Motor and Drive As'y. (See Break-down of Parts Below)
83	24108	Bushing - Throttle Shaft	423	93410	Screw - Set
91	294081	Valve Assembly - Carburetor Idle	414	381532	Stator - Alternator
95	53499	Screw - Throttle and Choke Valve Mfg.	481	238970	Bushing - Stator
88	91920	Screw - Machine Fill, Hd. 8 - 32 x 5/8"	482	38621	Screw - Set
99	26157	Spring - Throttle Adjustment	485	381988	Knob As'y. - Fuse
101	83043	Pin - Throttle Stop	486	381507	Diode - Alternator
104	220896	Pin - Float Hinge	488	222211	Bracket - Output
108	227010	Valve Choke	534	38622	Screw - Air Cleaner
118	361233	Valve Needle	534A	32323	Screw - Air Cleaner
121	298852	Carburetor Overhaul Kit	536	270528	Element - Air Cleaner
123	93357	Screw - Carburetor Mtg.	538	381399	Cleaner Assembly - Air
125	369511	Carburetor Assembly	537	270539	Upper - Air Cleaner Element (Plastic)
126	299851	Body Assembly - Carburetor	601	44053	Gasket - Fuel Pipe
127	221957	Plug - Wash	618	261116	Clamp - Fuel Pipe
128	211682	Venturi - Carburetor	618	261116	Clamp - Fuel Pipe
130	221958	Valve - Throttle	629	220282	Spring - Choke Return
131	381512	Shaft and Lever - Throttle	652	220282	Washer - Choke Shaft
132	211715	Stop - Throttle	663	220277	Bracket - Carburetor
133	381512	Shaft and Lever - Throttle	663	63572	Screw
134	298707	Float - Carburetor	725	391134	Gear - Ring
136	221995	Bowl - Float	727	390233	Cover and Shield - Starter
137	270511	Gasket - Float Bowl	728	62523	Screw - Set
141	220214	Washer - Float Bowl	763	391604	Electric Starter Kit - 12 Volt (Gear Drive)
142	390954	Shaft and Lever - Choke	814	390957	Wire - Assembly - 7 Amp. Alternator
147	282740	Washer - Carburetor	844	261289	Spring - Diode
148	225872	Nozzle - Carburetor			
189	67218	Connector - Fuel Pipe			
190	256004	Pipe - Fuel			

*Included in Carburetor Overhaul Kit - Part No. 299852

STARTER MOTOR GROUP

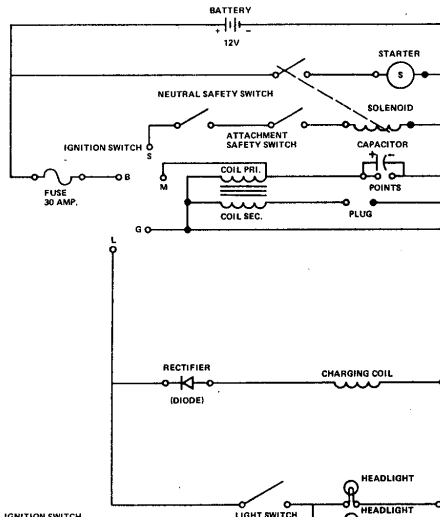


KEY NO.	PART NO.	DESCRIPTION
310	391706	Thru Bolt, As'y.
311	381705	Brush As'y.
510	391461	Drive As'y.
511	387747	Armature As'y.
801	381705	End Cap As'y., Drive
802	390846	Housing As'y., Commutator
803	382744	Housing As'y.

*Includes Brush Set No. 391735 Clutch As'y. (Key No. 513)
No. 390104 Gear (Key No. 783)
No. 391462 Retainer and Pin (Key No. 773)

REPAIR PARTS

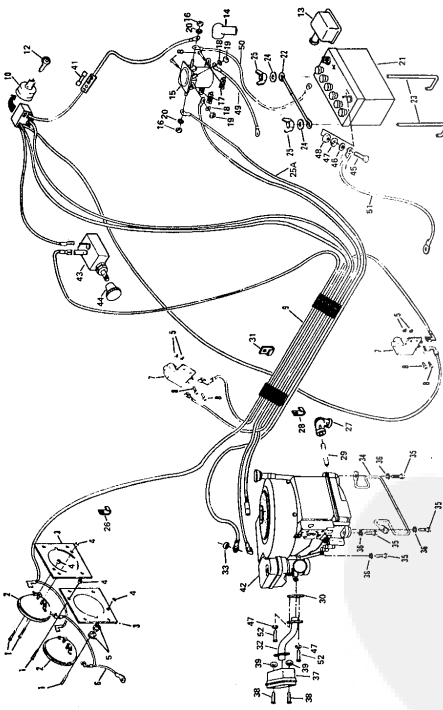
36" RIDING LAWN TRACTOR—MODEL NUMBER L8218BR
SCHEMATIC DIAGRAM



POSITION	CIRCUIT
OFF	M-G
ON	B-L
START	B-S

REPAIR PARTS

ELECTRIC & ENGINE



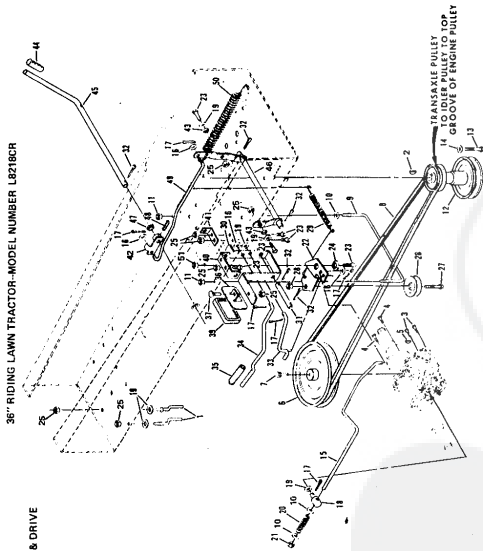
REPAIR PARTS

ELECTRIC & ENGINE

KEY NO.	PART NO.	DESCRIPTION
1	3228P	Screw, Machine Trust Head No. 10 - 24 x 1
2	645/R	Headlight Support
3	7302S	Headlight Lens
4	561P	Washer, Flat No. 10 - 24 UNC
5	561P	Washer, Flat No. 10 - 24 UNC
6	7125S	Safe Assembly
7	7125S	Safe Assembly
8	3359P	Screw, Machine Phillips Head No. 10 - 24 UNC
9	1795L	Wire Harness
10	7522A	Terminal Cover
11	7522A	Terminal Cover
12	7522A	Terminal Cover
13	225J	Shield Cover
14	7125/R	Washer, Flat No. 10 - 24 UNC
15	7125/R	Washer, Flat No. 10 - 24 UNC
16	7125/R	Washer, Flat No. 10 - 24 UNC
17	578P	Washer, Flat No. 10 - 24 UNC
18	1003P	*Washer, Lock No. 10 - 24 UNC
19	1003P	*Washer, Lock No. 10 - 24 UNC
20	1003P	*Washer, Lock No. 10 - 24 UNC
21	6718P	Battery Rod
22	1505S	Battery Rod
23	1505S	Battery Rod
24	1505S	Battery Rod
25	577P	Wing Nut 1/4" - 20 x .62
26	1956L	Washer, Flat No. 10 - 24 UNC
27	1956L	Washer, Flat No. 10 - 24 UNC
28	2321R	Insulated Clip
29	4017P	Sud. Elbow 90° 3/8" - 18 MPT
30	5209R	Insulated Clip
31	72144	End Nut
32	72144	End Nut
33	53499	Screw - Throttle and Choke Valve Mfg.
34	53499	Screw - Throttle and Choke Valve Mfg.
35	5688P	Screw, Hex. Hd. Thd. Rolling Pin
36	1004P	Washer, Lock 3/8"
37	24715	Marler
38	575P	Washer, Flat No. 10 - 24 UNC
39	575P	Washer, Flat No. 10 - 24 UNC
40	575P	Washer, Flat No. 10 - 24 UNC
41	191707	Engine, 8 H.P. and Starter 8 H.P.
42	191707	Engine, 8 H.P. and Starter 8 H.P.
43	7783R	*Type No. 5627-01 (See page 26 thru 28)
44	7784R	*Type No. 5627-01 (See page 26 thru 28)
45	1505P	*Lockwasher 1/8 Heavy
46	1505P	*Lockwasher 1/8 Heavy
47	1505P	*Lockwasher 1/8 Heavy
48	8027R	Washer, Flat No. 10 - 24 UNC
49	596L	Ground Cable
50	596L	Ground Cable
51	596L	Ground Cable
52	1956L	Washer, Flat No. 10 - 24 UNC
53	1956L	Washer, Flat No. 10 - 24 UNC
54	1956L	Washer, Flat No. 10 - 24 UNC
55	1956L	Washer, Flat No. 10 - 24 UNC
56	1956L	Washer, Flat No. 10 - 24 UNC
57	1956L	Washer, Flat No. 10 - 24 UNC
58	1956L	Washer, Flat No. 10 - 24 UNC
59	1956L	Washer, Flat No. 10 - 24 UNC
60	1956L	Washer, Flat No. 10 - 24 UNC
61	1956L	Washer, Flat No. 10 - 24 UNC
62	1956L	Washer, Flat No. 10 - 24 UNC
63	1956L	Washer, Flat No. 10 - 24 UNC
64	1956L	Washer, Flat No. 10 - 24 UNC
65	1956L	Washer, Flat No. 10 - 24 UNC
66	1956L	Washer, Flat No. 10 - 24 UNC
67	1956L	Washer, Flat No. 10 - 24 UNC
68	1956L	Washer, Flat No. 10 - 24 UNC
69	1956L	Washer, Flat No. 10 - 24 UNC
70	1956L	Washer, Flat No. 10 - 24 UNC
71	1956L	Washer, Flat No. 10 - 24 UNC
72	1956L	Washer, Flat No. 10 - 24 UNC
73	1956L	Washer, Flat No. 10 - 24 UNC
74	1956L	Washer, Flat No. 10 - 24 UNC
75	1956L	Washer, Flat No. 10 - 24 UNC
76	1956L	Washer, Flat No. 10 - 24 UNC
77	1956L	Washer, Flat No. 10 - 24 UNC
78	1956L	Washer, Flat No. 10 - 24 UNC
79	1956L	Washer, Flat No. 10 - 24 UNC
80	1956L	Washer, Flat No. 10 - 24 UNC
81	1956L	Washer, Flat No. 10 - 24 UNC
82	1956L	Washer, Flat No. 10 - 24 UNC
83	1956L	Washer, Flat No. 10 - 24 UNC
84	1956L	Washer, Flat No. 10 - 24 UNC
85	1956L	Washer, Flat No. 10 - 24 UNC
86	1956L	Washer, Flat No. 10 - 24 UNC
87	1956L	Washer, Flat No. 10 - 24 UNC
88	1956L	Washer, Flat No. 10 - 24 UNC
89	1956L	Washer, Flat No. 10 - 24 UNC
90	1956L	Washer, Flat No. 10 - 24 UNC
91	1956L	Washer, Flat No. 10 - 24 UNC
92	1956L	Washer, Flat No. 10 - 24 UNC
93	1956L	Washer, Flat No. 10 - 24 UNC
94	1956L	Washer, Flat No. 10 - 24 UNC
95	1956L	Washer, Flat No. 10 - 24 UNC
96	1956L	Washer, Flat No. 10 - 24 UNC
97	1956L	Washer, Flat No. 10 - 24 UNC
98	1956L	Washer, Flat No. 10 - 24 UNC
99	1956L	Washer, Flat No. 10 - 24 UNC
100	1956L	Washer, Flat No. 10 - 24 UNC
101	1956L	Washer, Flat No. 10 - 24 UNC
102	1956L	Washer, Flat No. 10 - 24 UNC
103	1956L	Washer, Flat No. 10 - 24 UNC
104	1956L	Washer, Flat No. 10 - 24 UNC
105	1956L	Washer, Flat No. 10 - 24 UNC
106	1956L	Washer, Flat No. 10 - 24 UNC
107	1956L	Washer, Flat No. 10 - 24 UNC
108	1956L	Washer, Flat No. 10 - 24 UNC
109	1956L	Washer, Flat No. 10 - 24 UNC
110	1956L	Washer, Flat No. 10 - 24 UNC
111	1956L	Washer, Flat No. 10 - 24 UNC
112	1956L	Washer, Flat No. 10 - 24 UNC
113	1956L	Washer, Flat No. 10 - 24 UNC
114	1956L	Washer, Flat No. 10 - 24 UNC
115	1956L	Washer, Flat No. 10 - 24 UNC
116	1956L	Washer, Flat No. 10 - 24 UNC
117	1956L	Washer, Flat No. 10 - 24 UNC
118	1956L	Washer, Flat No. 10 - 24 UNC
119	1956L	Washer, Flat No. 10 - 24 UNC
120	1956L	Washer, Flat No. 10 - 24 UNC
121	1956L	Washer, Flat No. 10 - 24 UNC
122	1956L	Washer, Flat No. 10 - 24 UNC
123	1956L	Washer, Flat No. 10 - 24 UNC
124	1956L	Washer, Flat No. 10 - 24 UNC
125	1956L	Washer, Flat No. 10 - 24 UNC
126	1956L	Washer, Flat No. 10 - 24 UNC
127	1956L	Washer, Flat No. 10 - 24 UNC
128	1956L	Washer, Flat No. 10 - 24 UNC
129	1956L	Washer, Flat No. 10 - 24 UNC
130	1956L	Washer, Flat No. 10 - 24 UNC
131	1956L	Washer, Flat No. 10 - 24 UNC
132	1956L	Washer, Flat No. 10 - 24 UNC
133	1956L	Washer, Flat No. 10 - 24 UNC
134	1956L	Washer, Flat No. 10 - 24 UNC
135	1956L	Washer, Flat No. 10 - 24 UNC
136	1956L	Washer, Flat No. 10 - 24 UNC
137	1956L	Washer, Flat No. 10 - 24 UNC
138	1956L	Washer, Flat No. 10 - 24 UNC
139	1956L	Washer, Flat No. 10 - 24 UNC
140	1956L	Washer, Flat No. 10 - 24 UNC
141	1956L	Washer, Flat No. 10 - 24 UNC
142	1956L	Washer, Flat No. 10 - 24 UNC
143	1956L	Washer, Flat No. 10 - 24 UNC
144	1956L	Washer, Flat No. 10 - 24 UNC
145	1956L	Washer, Flat No. 10 - 24 UNC
146	1956L	Washer, Flat No. 10 - 24 UNC
147	1956L	Washer, Flat No. 10 - 24 UNC
148	1956L	Washer, Flat No. 10 - 24 UNC
149	1956L	Washer, Flat No. 10 - 24 UNC
150	1956L	Washer, Flat No. 10 - 24 UNC
151	1956L	Washer, Flat No. 10 - 24 UNC
152	1956L	Washer, Flat No. 10 - 24 UNC
153	1956L	Washer, Flat No. 10 - 24 UNC
154	1956L	Washer, Flat No. 10 - 24 UNC
155	1956L	Washer, Flat No. 10 - 24 UNC
156	1956L	Washer, Flat No. 10 - 24 UNC
157	1956L	Washer, Flat No. 10 - 24 UNC
158	1956L	Washer, Flat No. 10 - 24 UNC
159	1956L	Washer, Flat No. 10 - 24 UNC
160	1956L	Washer, Flat No. 10 - 24 UNC
161	1956L	Washer, Flat No. 10 - 24 UNC
162	1956L	Washer, Flat No. 10 - 24 UNC
163	1956L	Washer, Flat No. 10 - 24 UNC
164	1956L	Washer, Flat No. 10 - 24 UNC
165	1956L	Washer, Flat No. 10 - 24 UNC
166	1956L	Washer, Flat No. 10 - 24 UNC
167	1956L	Washer, Flat No. 10 - 24 UNC
168	1956L	Washer, Flat No. 10 - 24 UNC
169	1956L	Washer, Flat No. 10 - 24 UNC
170	1956L	Washer, Flat No. 10 - 24 UNC
171	1956L	Washer, Flat No. 10 - 24 UNC
172	1956L	Washer, Flat No. 10 - 24 UNC
173	1956L	Washer, Flat No. 10 - 24 UNC
174	1956L	Washer, Flat No. 10 - 24 UNC
175	1956L	Washer, Flat No. 10 - 24 UNC
176	1956L	Washer, Flat No. 10 - 24 UNC
177	1956L	Washer, Flat No. 10 - 24 UNC
178	1956L	Washer, Flat No. 10 - 24 UNC
179	1956L	Washer, Flat No. 10 - 24 UNC
180	1956L	Washer, Flat No. 10 - 24 UNC
181	1956L	Washer, Flat No. 10 - 24 UNC
182	1956L	Washer, Flat No. 10 - 24 UNC
183	1956L	Washer, Flat No. 10 - 24 UNC
184	1956L	Washer, Flat No. 10 - 24 UNC
185	1956L	Washer, Flat No. 10 - 24 UNC
186	1956L	Washer, Flat No. 10 - 24 UNC
187	1956L	Washer, Flat No. 10 - 24 UNC
188	1956L	Washer, Flat No. 10 - 24 UNC
189	1956L	Washer, Flat No. 10 - 24 UNC
190	1956L	Washer, Flat No. 10 - 24 UNC
191	1956L	Washer, Flat No. 10 - 24 UNC
192	1956L	Washer, Flat No. 10 - 24 UNC
193	1956L	Washer, Flat No. 10 - 24 UNC
194	1956L	Washer, Flat No. 10 - 24 UNC
195	1956L	Washer, Flat No. 10 - 24 UNC
196	1956L	Washer, Flat No. 10 - 24 UNC
197	1956L	Washer, Flat No. 10 - 24 UNC
198	1956L	Washer, Flat No. 10 - 24 UNC
199	1956L	Washer, Flat No. 10 - 24 UNC
200	1956L	Washer, Flat No. 10 - 24 UNC
201	1956L	Washer, Flat No. 10 - 24 UNC
202	1956L	Washer, Flat No. 10 - 24 UNC
203	1956L	Washer, Flat No. 10 - 24 UNC
204	1956L	Washer, Flat No. 10 - 24 UNC
205	1956L	Washer, Flat No. 10 - 24 UNC
206	1956L	Washer, Flat No. 10 - 24 UNC
207	1956L	Washer, Flat No. 10 - 24 UNC
208	1956L	Washer, Flat No. 10 - 24 UNC
209	1956L	Washer, Flat No. 10 - 24 UNC
210	1956L	Washer, Flat No. 10 - 24 UNC
211	1956L	Washer, Flat No. 10 - 24 UNC
212	1956L	Washer, Flat No. 10 - 24 UNC
213	1956L	Washer, Flat No. 10 - 24 UNC
214	1956L	Washer, Flat No. 10 - 24 UNC
215	1956L	Washer, Flat No. 10 - 24 UNC
216	1956L	Washer, Flat No. 10 - 24 UNC
217	1956L	Washer, Flat No. 10 - 24 UNC
218	1956L	Washer, Flat No. 10 - 24 UNC
219	1956L	Washer, Flat No. 10 - 24 UNC

REPAIR PARTS

CLUTCH-BRAKE & DRIVE



36" RIDING LAWN TRACTOR—MODEL NUMBER L8218CR

REPAIR PARTS

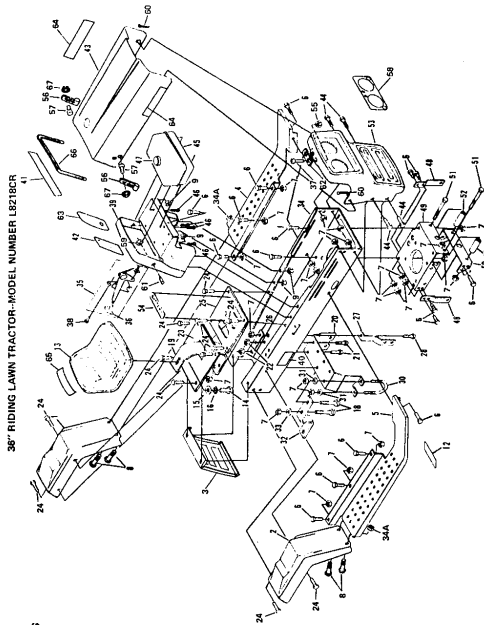
CLUTCH-BRAKE & DRIVE

REF. PART NO.	DESCRIPTION	REF. PART NO.	DESCRIPTION
1	71200 Bolt Guide	23	3010P Bolt, Hex Head 5/16 - 18 x 3.4
2	69053 Key, Woodruff No. 6	24	71202 Bushing 5/16 - 18 x 3.4
3	69059 Spring, Compression 1/2" Dia. x 1.5" H. x 1.5" O.D.	25	67400 Pulley, V-Belt 18 UNC
4	6905P Spring, Compression 1/2" Dia. x 1.5" H. x 1.5" O.D.	26	67400 Pulley, V-Belt 18 UNC
5	52859 Key, Woodruff No. E1	27	529P Nut, Lock 1/8 - 18 UNC
6	69059 Spring, Compression 1/2" Dia. x 1.5" H. x 1.5" O.D.	28	2044J Spring, Idler
7	69059 Spring, Compression 1/2" Dia. x 1.5" H. x 1.5" O.D.	29	2044J Spring, Idler
8	72794 Mid-Belt Guide	30	71223 Pin, Cotter 1/8 x 1
9	71241 Brake Rod	31	71223 Pin, Cotter 1/8 x 1
10	545P Spring, Compression 1/2" Dia. x 1.5" H. x 1.5" O.D.	32	74419 Clutch Fork
11	545P Spring, Compression 1/2" Dia. x 1.5" H. x 1.5" O.D.	33	3733 Park Brake Rod
12	6923P Spring, Compression 1/2" Dia. x 1.5" H. x 1.5" O.D.	34	3733 Park Brake Rod
13	6923P Spring, Compression 1/2" Dia. x 1.5" H. x 1.5" O.D.	35	71222 Pin, Peen
14	1010P Spring, Compression 1/2" Dia. x 1.5" H. x 1.5" O.D.	36	71199 Pin, Peen
15	7392Z Brake Rod	37	67355 Foot Pedal
16	7392Z Brake Rod	38	71222 Pin, Peen
17	2505P Spring, Compression 1/2" Dia. x 1.5" H. x 1.5" O.D.	39	71222 Pin, Peen
18	1525B Spring, Compression 1/2" Dia. x 1.5" H. x 1.5" O.D.	40	71199 Pin, Peen
19	1525B Spring, Compression 1/2" Dia. x 1.5" H. x 1.5" O.D.	41	71222 Pin, Peen
20	71239 Spring, Compression 1/2" Dia. x 1.5" H. x 1.5" O.D.	42	72229 Clutch Arm Assembly
21	71201 U.S. Brake	43	71226 Clutch Fork
22	71201 U.S. Brake	44	71226 Clutch Fork
		45	71242 Clutch Handle
		46	71242 Clutch Handle
		47	71242 Clutch Handle
		48	71242 Clutch Handle
		49	71242 Clutch Handle
		50	71242 Clutch Handle
		51	71242 Clutch Handle

*STANDARD HARDWARE—PURCHASE LOCALLY

REPAIR PARTS

CHASSIS



36" RIDING LAWN TRACTOR—MODEL NUMBER L8218CR

REPAIR PARTS

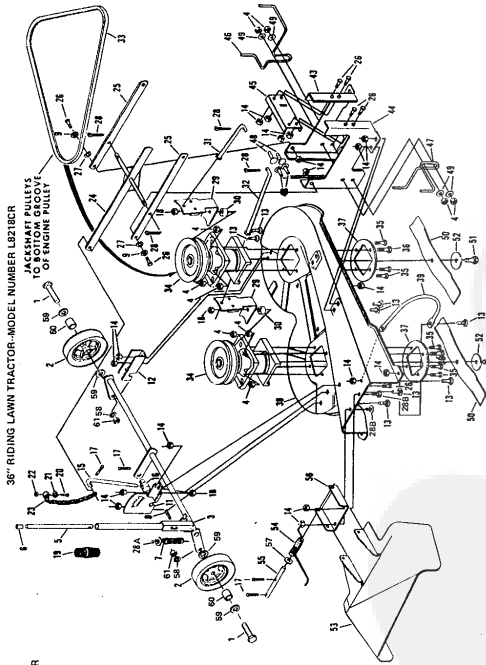
CHASSIS

REF. PART NO.	DESCRIPTION	REF. PART NO.	DESCRIPTION
1	3884 Fender, L.H.	35	1564J Remco Control Arm, R/C
2	3884 Fender, R.H.	36	6122P Spring, Compression 1/2" Dia. x 1.5" H. x 1.5" O.D.
3	1135J Foot Rest, L.H.	37	6122P Spring, Compression 1/2" Dia. x 1.5" H. x 1.5" O.D.
4	1135J Foot Rest, R.H.	38	6905P Spring, Compression 1/2" Dia. x 1.5" H. x 1.5" O.D.
5	1460J Foot Rest, R.H. 5/16 - 18 x 3/4	39	6905P Spring, Compression 1/2" Dia. x 1.5" H. x 1.5" O.D.
6	529P Nut, Lock 1/8 - 18 UNC	40	75078 Nut, Lock 5/16 - 18 UNC
7	529P Nut, Lock 1/8 - 18 UNC	41	1135J Foot Rest, R.H. 5/16 - 18 x 3/4
8	529P Nut, Lock 1/8 - 18 UNC	42	1135J Foot Rest, R.H. 5/16 - 18 x 3/4
9	529P Nut, Lock 1/8 - 18 UNC	43	67761Z Head Assy, Washer Hd.
10	529P Nut, Lock 1/8 - 18 UNC	44	3884P Spring, Compression 1/2" Dia. x 1.5" H. x 1.5" O.D.
11	529P Nut, Lock 1/8 - 18 UNC	45	7277Z Spring, Compression 1/2" Dia. x 1.5" H. x 1.5" O.D.
12	1135J Foot Rest, R.H. 5/16 - 18 x 3/4	46	7277Z Spring, Compression 1/2" Dia. x 1.5" H. x 1.5" O.D.
13	1135J Foot Rest, R.H. 5/16 - 18 x 3/4	47	74145 Fuel Cap
14	3302P Bolt, Hex Head 1/2 - 13 x 1 1/4	48	1885J Engine Bracket
15	3302P Bolt, Hex Head 1/2 - 13 x 1 1/4	49	1885J Engine Bracket
16	1000P Washer, Lock 1/2 - 3/16 x 1 1/4 G. 5	50	2271P Bolt, Hex Head 5/16 - 18 x 2 3/4
17	2010P Transaxle Support	51	2271P Bolt, Hex Head 5/16 - 18 x 2 3/4
18	2010P Transaxle Support	52	2271P Bolt, Hex Head 5/16 - 18 x 2 3/4
19	2010P Transaxle Support	53	2271P Bolt, Hex Head 5/16 - 18 x 2 3/4
20	2010P Transaxle Support	54	2271P Bolt, Hex Head 5/16 - 18 x 2 3/4
21	2010P Transaxle Support	55	2271P Bolt, Hex Head 5/16 - 18 x 2 3/4
22	2010P Transaxle Support	56	2271P Bolt, Hex Head 5/16 - 18 x 2 3/4
23	2010P Transaxle Support	57	2271P Bolt, Hex Head 5/16 - 18 x 2 3/4
24	2010P Transaxle Support	58	2271P Bolt, Hex Head 5/16 - 18 x 2 3/4
25	67761Z Head Assy, Washer Hd.	59	2271P Bolt, Hex Head 5/16 - 18 x 2 3/4
26	67761Z Head Assy, Washer Hd.	60	2271P Bolt, Hex Head 5/16 - 18 x 2 3/4
27	67761Z Head Assy, Washer Hd.	61	2271P Bolt, Hex Head 5/16 - 18 x 2 3/4
28	67761Z Head Assy, Washer Hd.	62	2271P Bolt, Hex Head 5/16 - 18 x 2 3/4
29	67761Z Head Assy, Washer Hd.	63	2271P Bolt, Hex Head 5/16 - 18 x 2 3/4
30	67761Z Head Assy, Washer Hd.	64	2271P Bolt, Hex Head 5/16 - 18 x 2 3/4
31	67761Z Head Assy, Washer Hd.	65	2271P Bolt, Hex Head 5/16 - 18 x 2 3/4
32	67761Z Head Assy, Washer Hd.	66	2271P Bolt, Hex Head 5/16 - 18 x 2 3/4
33	67761Z Head Assy, Washer Hd.	67	2271P Bolt, Hex Head 5/16 - 18 x 2 3/4
34	67761Z Head Assy, Washer Hd.		

*STANDARD HARDWARE—PURCHASE LOCALLY

REPAIR PARTS

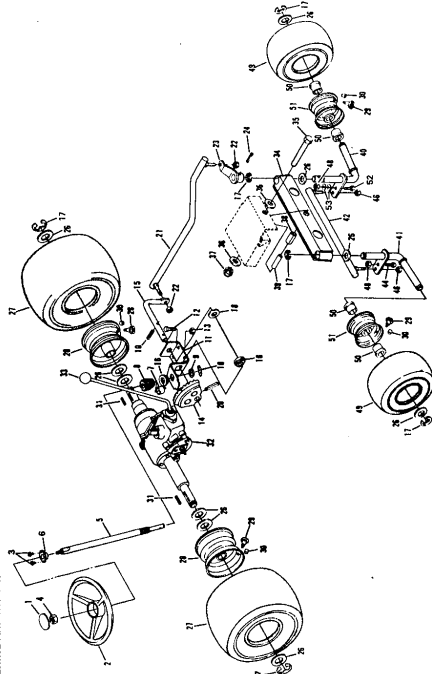
MOWER



36" RIDING LAWN TRACTOR—MODEL NUMBER L821BCR
 *PULLEY AT BOTTOM GROOVE OF ENGINE PULLEY

REPAIR PARTS

STEERING AND WHEELS



36" RIDING LAWN TRACTOR—MODEL NUMBER L821BCR

REPAIR PARTS

MOWER

REF. NO.	PART NO.	DESCRIPTION
1	3199P	Hex Bolt 3/8" x 2 1/4" Gr. 5
2	67284A	Clutch Wheel Assembly
3	545P	Nut, Lock 3/8" - 16 UNC
4	9479R	Cap Lever Plunger
5	8669R	Spring
6	8669R	Spring
7	1599P	Washer, 1.022 x 3/4 x 16 Ga.
8	71300	Bolt, Carriage 5/16" - 18 x 3/4 Gr. 5
9	67237	Adjustment Rod
10	576P	Locknut Washer 3/8" - 16 UNC
11	2503P	"Cover Pin 3/22 x 3/4
12	17172	"Screw, Pan Hd. Machine 1/4" - 20 x 1
13	3224P	"Screw, Pan Hd. Machine 1/4" - 20 x 1
14	29214	Pin, Chain
15	71337	Pin, Head 5/16" - 18 x 3/4
16	71337	Pin, Head 5/16" - 18 x 3/4
17	71815	Spacer
18	1615P	Washer 1.022 x 3/4 x 16 Ga.
19	1615P	Washer 1.022 x 3/4 x 16 Ga.
20	1615P	Washer 1.022 x 3/4 x 16 Ga.
21	1615P	Washer 1.022 x 3/4 x 16 Ga.
22	1615P	Washer 1.022 x 3/4 x 16 Ga.
23	1615P	Washer 1.022 x 3/4 x 16 Ga.
24	1615P	Washer 1.022 x 3/4 x 16 Ga.
25	1615P	Washer 1.022 x 3/4 x 16 Ga.
26	1615P	Washer 1.022 x 3/4 x 16 Ga.
27	1615P	Washer 1.022 x 3/4 x 16 Ga.
28	1615P	Washer 1.022 x 3/4 x 16 Ga.
29	1615P	Washer 1.022 x 3/4 x 16 Ga.
30	1615P	Washer 1.022 x 3/4 x 16 Ga.
31	1615P	Washer 1.022 x 3/4 x 16 Ga.
32	1615P	Washer 1.022 x 3/4 x 16 Ga.
33	1615P	Washer 1.022 x 3/4 x 16 Ga.
34	1615P	Washer 1.022 x 3/4 x 16 Ga.
35	1615P	Washer 1.022 x 3/4 x 16 Ga.
36	1615P	Washer 1.022 x 3/4 x 16 Ga.
37	1615P	Washer 1.022 x 3/4 x 16 Ga.
38	1615P	Washer 1.022 x 3/4 x 16 Ga.
39	1615P	Washer 1.022 x 3/4 x 16 Ga.
40	1615P	Washer 1.022 x 3/4 x 16 Ga.
41	1615P	Washer 1.022 x 3/4 x 16 Ga.
42	1615P	Washer 1.022 x 3/4 x 16 Ga.
43	1615P	Washer 1.022 x 3/4 x 16 Ga.
44	1615P	Washer 1.022 x 3/4 x 16 Ga.
45	1615P	Washer 1.022 x 3/4 x 16 Ga.
46	1615P	Washer 1.022 x 3/4 x 16 Ga.
47	1615P	Washer 1.022 x 3/4 x 16 Ga.
48	1615P	Washer 1.022 x 3/4 x 16 Ga.
49	1615P	Washer 1.022 x 3/4 x 16 Ga.
50	1615P	Washer 1.022 x 3/4 x 16 Ga.
51	1615P	Washer 1.022 x 3/4 x 16 Ga.
52	1615P	Washer 1.022 x 3/4 x 16 Ga.
53	1615P	Washer 1.022 x 3/4 x 16 Ga.
54	1615P	Washer 1.022 x 3/4 x 16 Ga.
55	1615P	Washer 1.022 x 3/4 x 16 Ga.
56	1615P	Washer 1.022 x 3/4 x 16 Ga.
57	1615P	Washer 1.022 x 3/4 x 16 Ga.
58	1615P	Washer 1.022 x 3/4 x 16 Ga.
59	1615P	Washer 1.022 x 3/4 x 16 Ga.
60	1615P	Washer 1.022 x 3/4 x 16 Ga.
61	1615P	Washer 1.022 x 3/4 x 16 Ga.
62	1615P	Washer 1.022 x 3/4 x 16 Ga.
63	1615P	Washer 1.022 x 3/4 x 16 Ga.
64	1615P	Washer 1.022 x 3/4 x 16 Ga.
65	1615P	Washer 1.022 x 3/4 x 16 Ga.
66	1615P	Washer 1.022 x 3/4 x 16 Ga.
67	1615P	Washer 1.022 x 3/4 x 16 Ga.
68	1615P	Washer 1.022 x 3/4 x 16 Ga.
69	1615P	Washer 1.022 x 3/4 x 16 Ga.
70	1615P	Washer 1.022 x 3/4 x 16 Ga.
71	1615P	Washer 1.022 x 3/4 x 16 Ga.
72	1615P	Washer 1.022 x 3/4 x 16 Ga.
73	1615P	Washer 1.022 x 3/4 x 16 Ga.
74	1615P	Washer 1.022 x 3/4 x 16 Ga.
75	1615P	Washer 1.022 x 3/4 x 16 Ga.
76	1615P	Washer 1.022 x 3/4 x 16 Ga.
77	1615P	Washer 1.022 x 3/4 x 16 Ga.
78	1615P	Washer 1.022 x 3/4 x 16 Ga.
79	1615P	Washer 1.022 x 3/4 x 16 Ga.
80	1615P	Washer 1.022 x 3/4 x 16 Ga.
81	1615P	Washer 1.022 x 3/4 x 16 Ga.
82	1615P	Washer 1.022 x 3/4 x 16 Ga.
83	1615P	Washer 1.022 x 3/4 x 16 Ga.
84	1615P	Washer 1.022 x 3/4 x 16 Ga.
85	1615P	Washer 1.022 x 3/4 x 16 Ga.
86	1615P	Washer 1.022 x 3/4 x 16 Ga.
87	1615P	Washer 1.022 x 3/4 x 16 Ga.
88	1615P	Washer 1.022 x 3/4 x 16 Ga.
89	1615P	Washer 1.022 x 3/4 x 16 Ga.
90	1615P	Washer 1.022 x 3/4 x 16 Ga.
91	1615P	Washer 1.022 x 3/4 x 16 Ga.
92	1615P	Washer 1.022 x 3/4 x 16 Ga.
93	1615P	Washer 1.022 x 3/4 x 16 Ga.
94	1615P	Washer 1.022 x 3/4 x 16 Ga.
95	1615P	Washer 1.022 x 3/4 x 16 Ga.
96	1615P	Washer 1.022 x 3/4 x 16 Ga.
97	1615P	Washer 1.022 x 3/4 x 16 Ga.
98	1615P	Washer 1.022 x 3/4 x 16 Ga.
99	1615P	Washer 1.022 x 3/4 x 16 Ga.
100	1615P	Washer 1.022 x 3/4 x 16 Ga.

REF. NO.	PART NO.	DESCRIPTION
1	677446	Blade Assembly
2	71222	Blade
3	71222	Blade
4	71222	Blade
5	71222	Blade
6	71222	Blade
7	71222	Blade
8	71222	Blade
9	71222	Blade
10	71222	Blade
11	71222	Blade
12	71222	Blade
13	71222	Blade
14	71222	Blade
15	71222	Blade
16	71222	Blade
17	71222	Blade
18	71222	Blade
19	71222	Blade
20	71222	Blade
21	71222	Blade
22	71222	Blade
23	71222	Blade
24	71222	Blade
25	71222	Blade
26	71222	Blade
27	71222	Blade
28	71222	Blade
29	71222	Blade
30	71222	Blade
31	71222	Blade
32	71222	Blade
33	71222	Blade
34	71222	Blade
35	71222	Blade
36	71222	Blade
37	71222	Blade
38	71222	Blade
39	71222	Blade
40	71222	Blade
41	71222	Blade
42	71222	Blade
43	71222	Blade
44	71222	Blade
45	71222	Blade
46	71222	Blade
47	71222	Blade
48	71222	Blade
49	71222	Blade
50	71222	Blade
51	71222	Blade
52	71222	Blade
53	71222	Blade
54	71222	Blade
55	71222	Blade
56	71222	Blade
57	71222	Blade
58	71222	Blade
59	71222	Blade
60	71222	Blade
61	71222	Blade
62	71222	Blade
63	71222	Blade
64	71222	Blade
65	71222	Blade
66	71222	Blade
67	71222	Blade
68	71222	Blade
69	71222	Blade
70	71222	Blade
71	71222	Blade
72	71222	Blade
73	71222	Blade
74	71222	Blade
75	71222	Blade
76	71222	Blade
77	71222	Blade
78	71222	Blade
79	71222	Blade
80	71222	Blade
81	71222	Blade
82	71222	Blade
83	71222	Blade
84	71222	Blade
85	71222	Blade
86	71222	Blade
87	71222	Blade
88	71222	Blade
89	71222	Blade
90	71222	Blade
91	71222	Blade
92	71222	Blade
93	71222	Blade
94	71222	Blade
95	71222	Blade
96	71222	Blade
97	71222	Blade
98	71222	Blade
99	71222	Blade
100	71222	Blade

REF. NO.	PART NO.	DESCRIPTION
1	1114J	Steering Wheel Inset
2	561P	Steering Wheel
3	561P	Steering Wheel
4	561P	Steering Wheel
5	1599J	Nut, Lock 1/2" - 20 UNF
6	1599J	Nut, Lock 1/2" - 20 UNF
7	1599J	Nut, Lock 1/2" - 20 UNF
8	1599J	Nut, Lock 1/2" - 20 UNF
9	1599J	Nut, Lock 1/2" - 20 UNF
10	1599J	Nut, Lock 1/2" - 20 UNF
11	1599J	Nut, Lock 1/2" - 20 UNF
12	1599J	Nut, Lock 1/2" - 20 UNF
13	1599J	Nut, Lock 1/2" - 20 UNF
14	1599J	Nut, Lock 1/2" - 20 UNF
15	1599J	Nut, Lock 1/2" - 20 UNF
16	1599J	Nut, Lock 1/2" - 20 UNF
17	1599J	Nut, Lock 1/2" - 20 UNF
18	1599J	Nut, Lock 1/2" - 20 UNF
19	1599J	Nut, Lock 1/2" - 20 UNF
20	1599J	Nut, Lock 1/2" - 20 UNF
21	1599J	Nut, Lock 1/2" - 20 UNF
22	1599J	Nut, Lock 1/2" - 20 UNF
23	1599J	Nut, Lock 1/2" - 20 UNF
24	1599J	Nut, Lock 1/2" - 20 UNF
25	1599J	Nut, Lock 1/2" - 20 UNF
26	1599J	Nut, Lock 1/2" - 20 UNF
27	1599J	Nut, Lock 1/2" - 20 UNF
28	1599J	Nut, Lock 1/2" - 20 UNF
29	1599J	Nut, Lock 1/2" - 20 UNF
30	1599J	Nut, Lock 1/2" - 20 UNF
31	1599J	Nut, Lock 1/2" - 20 UNF
32	1599J	Nut, Lock 1/2" - 20 UNF
33	1599J	Nut, Lock 1/2" - 20 UNF
34	1599J	Nut, Lock 1/2" - 20 UNF
35	1599J	Nut, Lock 1/2" - 20 UNF
36	1599J	Nut, Lock 1/2" - 20 UNF
37	1599J	Nut, Lock 1/2" - 20 UNF
38	1599J	Nut, Lock 1/2" - 20 UNF
39	1599J	Nut, Lock 1/2" - 20 UNF
40	1599J	Nut, Lock 1/2" - 20 UNF
41	1599J	Nut, Lock 1/2" - 20 UNF
42	1599J	Nut, Lock 1/2" - 20 UNF
43	1599J	Nut, Lock 1/2" - 20 UNF
44	1599J	Nut, Lock 1/2" - 20 UNF
45	1599J	Nut, Lock 1/2" - 20 UNF
46	1599J	Nut, Lock 1/2" - 20 UNF
47	1599J	Nut, Lock 1/2" - 20 UNF
48	1599J	Nut, Lock 1/2" - 20 UNF
49	1599J	Nut, Lock 1/2" - 20 UNF
50	1599J	Nut, Lock 1/2" - 20 UNF
51	1599J	Nut, Lock 1/2" - 20 UNF
52	1599J	Nut, Lock 1/2" - 20 UNF
53	1599J	Nut, Lock 1/2" - 20 UNF
54	1599J	Nut, Lock 1/2" - 20 UNF
55	1599J	Nut, Lock 1/2" - 20 UNF
56	1599J	Nut, Lock 1/2" - 20 UNF
57	1599J	Nut, Lock 1/2" - 20 UNF
58	1599J	Nut, Lock 1/2" - 20 UNF
59	1599J	Nut, Lock 1/2" - 20 UNF
60	1599J	Nut, Lock 1/2" - 20 UNF
61	1599J	Nut, Lock 1/2" - 20 UNF
62	1599J	Nut, Lock 1/2" - 20 UNF
63	1599J	Nut, Lock 1/2" - 20 UNF
64	1599J	Nut, Lock 1/2" - 20 UNF
65	1599J	Nut, Lock 1/2" - 20 UNF
66	1599J	Nut, Lock 1/2" - 20 UNF
67	1599J	Nut, Lock 1/2" - 20 UNF
68	1599J	Nut, Lock 1/2" - 20 UNF
69	1599J	Nut, Lock 1/2" - 20 UNF
70	1599J	Nut, Lock 1/2" - 20 UNF
71	1599J	Nut, Lock 1/2" - 20 UNF
72	1599J	Nut, Lock 1/2" - 20 UNF
73	1599J	Nut, Lock 1/2" - 20 UNF
74	1599J	Nut, Lock 1/2" - 20 UNF
75	1599J	Nut, Lock 1/2" - 20 UNF
76	1599J	Nut, Lock 1/2" - 20 UNF
77	1599J	Nut, Lock 1/2" - 20 UNF
78	1599J	Nut, Lock 1/2" - 20 UNF
79	1599J	Nut, Lock 1/2" - 20 UNF
80	1599J	Nut, Lock 1/2" - 20 UNF
81	1599J	Nut, Lock 1/2" - 20 UNF
82	1599J	Nut, Lock 1/2" - 20 UNF
83	1599J	Nut, Lock 1/2" - 20 UNF
84	1599J	Nut, Lock 1/2" - 20 UNF
85	1599J	Nut, Lock 1/2" - 20 UNF
86	1599J	Nut, Lock 1/2" - 20 UNF
87	1599J	Nut, Lock 1/2" - 20 UNF
88	1599J	Nut, Lock 1/2" - 20 UNF
89	1599J	Nut, Lock 1/2" - 20 UNF
90	1599J	Nut, Lock 1/2" - 20 UNF
91	1599J	Nut, Lock 1/2" - 20 UNF
92	1599J	Nut, Lock 1/2" - 20 UNF
93	1599J	Nut, Lock 1/2" - 20 UNF
94	1599J	Nut, Lock 1/2" - 20 UNF
95	1599J	Nut, Lock 1/2" - 20 UNF
96	1599J	Nut, Lock 1/2" - 20 UNF
97	1599J	Nut, Lock 1/2" - 20 UNF
98	1599J	Nut, Lock 1/2" - 20 UNF
99	1599J	Nut, Lock 1/2" - 20 UNF
100	1599J	Nut, Lock 1/2" - 20 UNF

REPAIR PARTS

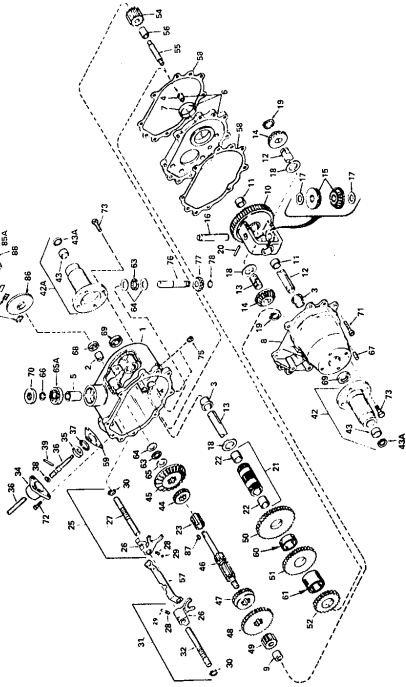
STEERING AND WHEELS

REF. NO.	PART NO.	DESCRIPTION
1	1114J	Steering Wheel Inset

REPAIR PARTS

36" RIDING LAWN TRACTOR-MODEL NUMBER L821BCR
TRANSAKLE NO. 794191A-MODEL NUMBER 143.658A

ALL TRANSAKLE PARTS MUST
BE PURCHASED THROUGH OUR
LOCAL TECHNICAL DEALER.



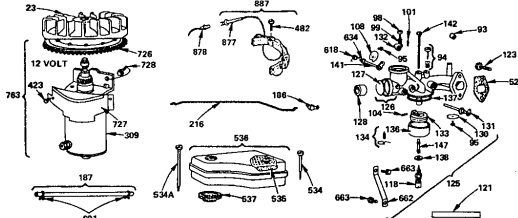
REPAIR PARTS

36" RIDING LAWN TRACTOR-MODEL NUMBER L821BCR
TRANSAKLE NO. 794191A-MODEL NUMBER 143.658A

KEY NO.	PART NO.	DESCRIPTION	KEY NO.	PART NO.	DESCRIPTION
1	710217A	Complete Transaxle (inc. No. 2, 3 & 8)	46	710238	Shaft, Input (3.0 Term)
2	710238	Complete Transaxle (inc. No. 2, 3 & 8)	47	710239	Shaft, Output (3.0 Term)
3	294609	Seal - Oil	48	710240	Shaft, Output (1.75 Term)
4	212288	Gasket - Cylinder	49	710241	Shaft, Output (1.5 Term)
5	212288	Gasket - Cylinder	50	710242	Shaft, Output (1.25 Term)
6	301406	Breather Tube Assembly	51	710243	Shaft, Output (1.0 Term)
7	219030	Gasket - Valve Cover	52	710244	Shaft, Output (.75 Term)
8	301406	Breather Tube Assembly	53	710245	Shaft, Output (.5 Term)
9	93539	Screw - Sem	54	710246	Shaft, Output (.25 Term)
10	93539	Screw - Sem	55	710247	Shaft, Output (.125 Term)
11	282095	Tube - Breather	56	710248	Shaft, Output (.0625 Term)
12	27750	"Gasket - Crankcase Cover - 1/64"	57	710249	Shaft, Output (.03125 Term)
13	27750	"Gasket - Crankcase Cover - 1/64"	58	710250	Shaft, Output (.015625 Term)
14	92723	Screw - Cylinder Head (2 - 21/32" Long)	59	710251	Shaft, Output (.0078125 Term)
15	91766	Plug - Oil Drain	60	710252	Shaft, Output (.00390625 Term)
16	381757	Crankshaft	61	710253	Shaft, Output (.001953125 Term)
17	298316	Sump - Oil (inc. Key No. 12 & 20)	62	710254	Shaft, Output (.0009765625 Term)
18	298316	Sump - Oil (inc. Key No. 12 & 20)	63	710255	Shaft, Output (.00048828125 Term)
19	298316	Sump - Oil (inc. Key No. 12 & 20)	64	710256	Shaft, Output (.000244140625 Term)
20	298316	Sump - Oil (inc. Key No. 12 & 20)	65	710257	Shaft, Output (.0001220703125 Term)
21	298316	Sump - Oil (inc. Key No. 12 & 20)	66	710258	Shaft, Output (.00006103515625 Term)
22	93585	Screw - Sump	67	710259	Shaft, Output (.000030517578125 Term)
23	61750	Key - Flywheel	68	710260	Shaft, Output (.0000152587890625 Term)
24	61750	Key - Flywheel	69	710261	Shaft, Output (.00000762939453125 Term)
25	381873	Piston Assy. - Std.	70	710262	Shaft, Output (.000003814697265625 Term)
26	381873	Piston Assy. - Std.	71	710263	Shaft, Output (.0000019073486328125 Term)
27	381873	Piston Assy. - Std.	72	710264	Shaft, Output (.00000095367431640625 Term)
28	381873	Piston Assy. - Std.	73	710265	Shaft, Output (.000000476837158203125 Term)
29	381873	Piston Assy. - Std.	74	710266	Shaft, Output (.0000002384185791015625 Term)
30	381873	Piston Assy. - Std.	75	710267	Shaft, Output (.00000011920928955078125 Term)
31	381873	Piston Assy. - Std.	76	710268	Shaft, Output (.000000059604644775390625 Term)
32	381873	Piston Assy. - Std.	77	710269	Shaft, Output (.0000000298023223876953125 Term)
33	381873	Piston Assy. - Std.	78	710270	Shaft, Output (.00000001490116119384765625 Term)
34	381873	Piston Assy. - Std.	79	710271	Shaft, Output (.000000007450555596923828125 Term)
35	381873	Piston Assy. - Std.	80	710272	Shaft, Output (.0000000037252777984619140625 Term)
36	381873	Piston Assy. - Std.	81	710273	Shaft, Output (.000000001862638899230703125 Term)
37	381873	Piston Assy. - Std.	82	710274	Shaft, Output (.0000000009313194496153515625 Term)
38	381873	Piston Assy. - Std.	83	710275	Shaft, Output (.000000000465659724807678125 Term)
39	381873	Piston Assy. - Std.	84	710276	Shaft, Output (.00000000023282986240393828125 Term)
40	381873	Piston Assy. - Std.	85	710277	Shaft, Output (.000000000116414931201969140625 Term)
41	381873	Piston Assy. - Std.	86	710278	Shaft, Output (.00000000005820746560095969230703125 Term)
42	381873	Piston Assy. - Std.	87	710279	Shaft, Output (.00000000002910373280047984619140625 Term)
43	381873	Piston Assy. - Std.	88	710280	Shaft, Output (.0000000000145518664002399230703125 Term)
44	381873	Piston Assy. - Std.	89	710281	Shaft, Output (.00000000000727593320011996153515625 Term)
45	381873	Piston Assy. - Std.	90	710282	Shaft, Output (.0000000000036379666000599807678125 Term)
46	381873	Piston Assy. - Std.	91	710283	Shaft, Output (.000000000001818983300029990384619140625 Term)
47	381873	Piston Assy. - Std.	92	710284	Shaft, Output (.00000000000090949165001499807678125 Term)
48	381873	Piston Assy. - Std.	93	710285	Shaft, Output (.0000000000004547458250074990384619140625 Term)
49	381873	Piston Assy. - Std.	94	710286	Shaft, Output (.000000000000227372912500374990384619140625 Term)
50	381873	Piston Assy. - Std.	95	710287	Shaft, Output (.00000000000011368645625001874990384619140625 Term)
51	381873	Piston Assy. - Std.	96	710288	Shaft, Output (.0000000000000568432281250009374990384619140625 Term)
52	381873	Piston Assy. - Std.	97	710289	Shaft, Output (.000000000000028421614062500046874990384619140625 Term)
53	381873	Piston Assy. - Std.	98	710290	Shaft, Output (.000000000000014210807031250002343990384619140625 Term)
54	381873	Piston Assy. - Std.	99	710291	Shaft, Output (.0000000000000071054035156250001171990384619140625 Term)
55	381873	Piston Assy. - Std.	100	710292	Shaft, Output (.00000000000000355270175781250000584990384619140625 Term)
56	381873	Piston Assy. - Std.	101	710293	Shaft, Output (.0000000000000017763508789062500002924990384619140625 Term)
57	381873	Piston Assy. - Std.	102	710294	Shaft, Output (.0000000000000008881754392928125000014624990384619140625 Term)
58	381873	Piston Assy. - Std.	103	710295	Shaft, Output (.000000000000000444087719646191406250000073124990384619140625 Term)
59	381873	Piston Assy. - Std.	104	710296	Shaft, Output (.0000000000000002220438598209596923070312500000365624990384619140625 Term)
60	381873	Piston Assy. - Std.	105	710297	Shaft, Output (.00000000000000011102192964619140625000001828124990384619140625 Term)
61	381873	Piston Assy. - Std.	106	710298	Shaft, Output (.0000000000000000555094848209596923070312500000091406250000009140625 Term)
62	381873	Piston Assy. - Std.	107	710299	Shaft, Output (.0000000000000000277547424102959692307031250000004570312500000045703125 Term)
63	381873	Piston Assy. - Std.	108	710300	Shaft, Output (.000000000000000013877371205479846191406250000002285156250000001143869230703125 Term)
64	381873	Piston Assy. - Std.	109	710301	Shaft, Output (.00000000000000000693868562523992307031250000001143869230703125 Term)
65	381873	Piston Assy. - Std.	110	710302	Shaft, Output (.000000000000000003469342812511996153515625000000571964619140625 Term)
66	381873	Piston Assy. - Std.	111	710303	Shaft, Output (.000000000000000001734671406250596923070312500000285982095969230703125 Term)
67	381873	Piston Assy. - Std.	112	710304	Shaft, Output (.0000000000000000008673357031250298076781250000142990384619140625 Term)
68	381873	Piston Assy. - Std.	113	710305	Shaft, Output (.000000000000000000433667812501499038461914062500000071990384619140625 Term)
69	381873	Piston Assy. - Std.	114	710306	Shaft, Output (.0000000000000000002168339062507499038461914062500000035990384619140625 Term)
70	381873	Piston Assy. - Std.	115	710307	Shaft, Output (.000000000000000000108416953125037499038461914062500000017990384619140625 Term)
71	381873	Piston Assy. - Std.	116	710308	Shaft, Output (.00000000000000000005420847656250187499038461914062500000008990384619140625 Term)
72	381873	Piston Assy. - Std.	117	710309	Shaft, Output (.0000000000000000000271042382812509374990384619140625000000044990384619140625 Term)
73	381873	Piston Assy. - Std.	118	710310	Shaft, Output (.0000000000000000000135521191406250468749903846191406250000000224990384619140625 Term)
74	381873	Piston Assy. - Std.	119	710311	Shaft, Output (.00000000000000000000677607031250234399038461914062500000001124990384619140625 Term)
75	381873	Piston Assy. - Std.	120	710312	Shaft, Output (.000000000000000000003388035156250117199038461914062500000000574990384619140625 Term)
76	381873	Piston Assy. - Std.	121	710313	Shaft, Output (.000000000000000000001694017578125058499038461914062500000000284990384619140625 Term)
77	381873	Piston Assy. - Std.	122	710314	Shaft, Output (.00000000000000000000084700878906250292499038461914062500000001424990384619140625 Term)
78	381873	Piston Assy. - Std.	123	710315	Shaft, Output (.00000000000000000000042350439292812501462499038461914062500000000714990384619140625 Term)
79	381873	Piston Assy. - Std.	124	710316	Shaft, Output (.0000000000000000000002117521964619140625007312500000003574990384619140625 Term)
80	381873	Piston Assy. - Std.	125	710317	Shaft, Output (.000000000000000000000105876098209596923070312500000001784990384619140625 Term)
81	381873	Piston Assy. - Std.	126	710318	Shaft, Output (.0000000000000000000000529380496191406250003656250000000894990384619140625 Term)
82	381873	Piston Assy. - Std.	127	710319	Shaft, Output (.000000000000000000000026469024807678125001828125000000044990384619140625 Term)
83	381873	Piston Assy. - Std.	128	710320	Shaft, Output (.000000000000000000000013234511996153515625000091406250000000224990384619140625 Term)
84	381873	Piston Assy. - Std.	129	710321	Shaft, Output (.0000000000000000000000066172579846191406250004570312500000001124990384619140625 Term)
85	381873	Piston Assy. - Std.	130	710322	Shaft, Output (.000000000000000000000003308628992307031250022851562500000000574990384619140625 Term)
86	381873	Piston Assy. - Std.	131	710323	Shaft, Output (.000000000000000000000001654314990384619140625011719903846191406250000000284990384619140625 Term)
87	381873	Piston Assy. - Std.	132	710324	Shaft, Output (.0000000000000000000000008271574990384619140625058499038461914062500000001424990384619140625 Term)
88	381873	Piston Assy. - Std.	133	710325	Shaft, Output (.00000000000000000000000041357849903846191406250292499038461914062500000000714990384619140625 Term)
89	381873	Piston Assy. - Std.	134	710326	Shaft, Output (.00000000000000000000000020678924807678125014624990384619140625000000003574990384619140625 Term)
90	381873	Piston Assy. - Std.	135	710327	Shaft, Output (.000000000000000000000000103394624039382812500731250000001784990384619140625 Term)
91	381873	Piston Assy. - Std.	136	710328	Shaft, Output (.0000000000000000000000000516973125036562500000004499038461914062500000000714990384619140625 Term)
92	381873	Piston Assy. - Std.	137	710329	Shaft, Output (.0000000000000000000000000258486562501828125000000224990384619140625000000003574990384619140625 Term)
93	381873	Piston Assy. - Std.	138	710330	Shaft, Output (.0000000000000000000000000129243281250914062501171990384619140625000000001784990384619140625 Term)
94	381873	Piston Assy. - Std.	139	710331	Shaft, Output (.00000000000000000000000000646216406250584990384619140625000000000894990384619140625 Term)
95	381873	Piston Assy. - Std.	140	710332	Shaft, Output (.000000000000000000000000003231082095969230703125002924990384619140625000000001784990384619140625 Term)
96	381873	Piston Assy. - Std.	141	710333	Shaft, Output (.0000000000000000000000000016155414990384619140625014624990384619140625000000000894990384619140625 Term)
97	381873	Piston Assy. - Std.	142	710334	Shaft, Output (.00000000000000000000000000078927031250731250073125000000044990384619140625000000001784990384619140625 Term)
98	381873	Piston Assy. - Std.	143	710335	Shaft, Output (.0000000000000000000000000003946351562503656250000000224990384619140625000000000894990384619140625 Term)
99	381873	Piston Assy. - Std.	144	710336	Shaft, Output (.0000000000000000000000000001973175781250182812500000011719903846191406250000000044990384619140625 Term)
100	381873	Piston Assy. - Std.	145	710337	Shaft, Output (.0000000000000000000000000000986587890625091406250058499038461914062500000000224990384619140625 Term)
101	381873	Piston Assy. - Std.			

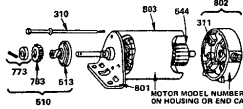
REPAIR PARTS

36" RIDING LAWN TRACTOR-MODEL NUMBER L8218CR
BRIGGS & STRATTON 8 H.P. ENGINE-MODEL NO. 191707, TYPE NO. 5627-01
AIR CLEANER, CARBURETOR AND FLYWHEEL GROUP



KEY NO.	PART NO.	DESCRIPTION	KEY NO.	PART NO.	DESCRIPTION
23	391983	Flywheel and Ring Gear Assy. - Magneto	218	281117	Link Choke
52	219924	Gasket - Carburetor Mounting	309	392749	Motor and Drive Assy. (See Break-down of Parts Below)
53	23108	Bushing - Throttle Shaft	423	93410	Screw - Sem
64	291681	Valve Assembly - Carburetor Idle			
66	83499	Screw - Throttle and Choke Valve Mtg. Sem	482	93621	Screw - Sem
68	81920	Screw - Machine Fill. Hd. 8-32 x 5/8"			
69	26157	Spring - Throttle Adjustment			
101	83043	Pin - Throttle Stop			
104	230696	*Pin - Float Hinge	534	93622	Screw - Air Cleaner
118	391233	*Valve Needle	534A	93323	Screw - Air Cleaner
121	298852	Carburetor Overhaul Kit	536	279528	Element - Air Cleaner
123	83357	Screw - Carburetor Mtg.	536	391399	Cleaner Assembly - Air
126	390811	Carburetor Assembly	536	391399	Cleaner Assembly - Air
126	298851	Body Assembly - Carburetor	536	391399	Cleaner Assembly - Air
127	211907	*Plug - Wadlet	601	83063	Support - Air Cleaner Element (Plastic)
128	211862	Venturi - Carburetor	637	270839	Gasket - Air Cleaner
130	211988	Valve - Throttle	638	313062	Clamp - Fuel Pipe
131	391512	Shaft and Lever - Throttle	618	281118	Spring - Choke Return
132	211712	Stop - Throttle	634	210362	Washer - Choke Shaft
133	298707	Float - Carburetor	662	222927	Bracket - Carburetor
134	298696	Gasket - Float Inlet	663	93517	Screw
136	211995	Bowl - Float	726	392134	Gear - Ring
137	218611	Gasket - Float Bowl	727	390233	Cover and Shield - Starter
138	222014	Washer - Float Bowl	728	390233	Screw - Sem
141	390664	Shaft and Lever - Choke	877	393814	Diode & Conn. Assembly
142	290740	Nozzle - Carburetor	878	390422	Alt. Harness Assembly
147	232822	Screw - Nozzle	887	391829	Stator-Alternator
186	87216	Connector - Fuel Pipe			
187	298004	Pipe - Fuel			

STARTER MOTOR GROUP

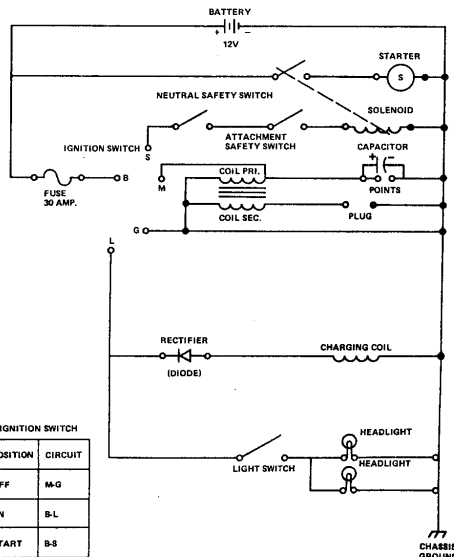


KEY NO.	PART NO.	DESCRIPTION
310	391709	Thru Bolt Assy.
311	391708	Brush Assy.
510	391481	*Drive Assy.
511	392747	Armature Assy.
801	391751	End Cap Assy. Drive
802	390846	End Cap Assy. Commutator
803	392744	Housing Assy.

* Includes Brush Set
* Includes No. 391335 Clutch Assy. (Key No. 513)
* Includes No. 890194 Gear (Key No. 783)
* Includes No. 391462 Retainer and Pin (Key No. 773)

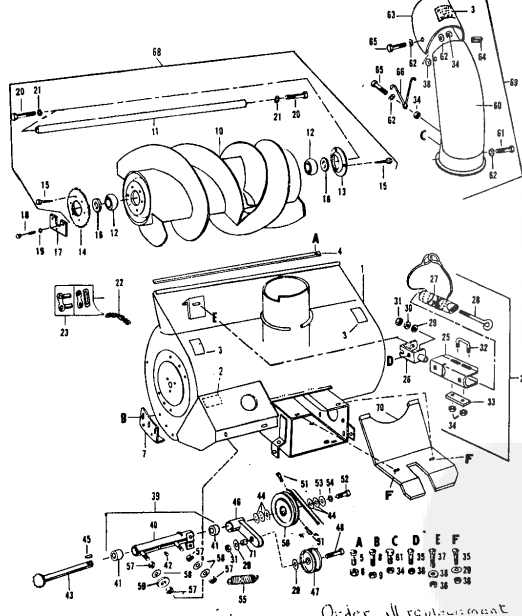
REPAIR PARTS

36" RIDING LAWN TRACTOR-MODEL NUMBER L8218CR
SCHEMATIC DIAGRAM



WIRING INSULATED CLIPS
If Insulated Clips were removed for servicing of unit, they should be replaced to properly secure your wiring. There are three Insulated Clips on your Tractor.
1. L.H. side of Tractor for safety switch wires (Key No. 28, page 14).
2. R.H. side of Tractor securing wire harness and cable wire (Key No. 31, page 14).
3. Headlight wire (Key No. 26, page 14).

36" ROPER SNOW THROWER LAO49AR



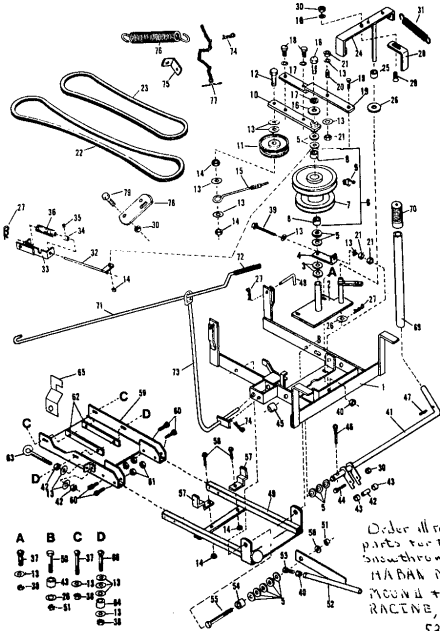
Order all replacement parts for this model snow thrower from
HABAN MFG. CO.
100 W. W. PARKWAY
RACINE, WIS. 53407

36" ROPER SNOW THROWER LAO49AR

Ref. No.	Part No.	Description	No. Req.	Ref. No.	Part No.	Description	No. Req.
1	11372	Assy-Header & Decal	1	38	4506	* Washer-13/32 x 1-1/2 x 16 ga.	3
2	9713	Decal	1	39	11378	Assy-Jackshaft hsg. & Bushings	1
3	9663	Decal-Warning	3	40	11379	Assy-Jackshaft hsg.	1
4	3013	Blade-Scraper	1	41	3034	Bushing	2
5	7090	* Bolt-1/4-20 x 5/8 carriage	7	42	5074	* Fitting-Grease	1
6	GM271178	* Nut & Lock washer 1/4-20 hex.	2	43	3143	Assy-Jackshaft & sprocket	1
7	3045	Shoe-Skid	7	44	3396	* Washer-49/64 x 1-1/2 x .058 Flat	1
8	STD533107	* Bolt-5/16-18 x 3/4 carriage	6	45	STD580103	* Key-3/16 sq. x 1	1
9	GM271184	* Nut & Lock washer 5/16-18 hex.	6	46	11381	Assy-Idler Arm	1
10	9044	Assy-Auger	1	47	11496	Assy-Idler Pulley	1
11	8350	Shaft-Auger	1	48	STD 723725	* Bolt - 3/8-16 x 2-1/2 hex hd	1
12	9052	Bearing-Auger Shaft	2	50	1384	Assy-Pulley & Hub	1
13	5473	Flange-Bearing	1	51	GM-142671	* Screw-Set 5/16-18 x 1/2 sq hd cap pt	2
14	8287	Sprocket-Auger (35 tooth)	1	52	STD523707	* Bolt-3/8-16 x 3/4 hex hd	1
15	9131	* Screw-5/16-18 x 3/4 Self-tapping	9	53	G4446363	* Washer-3/8 x 7/8 x .063 flat	1
16	4143	* Washer-1-1/32 x 1-1/2 x 1/8 flat	2	54	STD551137	* Washer-3/8 med lock Spring	1
17	8185	Plate-Auger mounting	1	55	3059	Washer	1
18	STD523106	* Bolt-5/16-18 x 5/8 hex hd	3	57	STD541050	* Nut-1/2-13 hex	4
19	STD551131	Washer-5/16 med lock	2	58	GM120389	* Washer-1/2 x 1-1/4 x .063 Flat	3
20	STD525012	* Bolt-1/2-13 x 1-1/4 hex hd	2	59	6979	Washer	1
21	STD551150	Washer-1/2 med lock	2	60	4957	Assy-Deflector & Elbow	2
22	3911	Chain-Auger Drive (70 links)	1	61	STD522510	* Bolt-1/4-20x1/2 hex hd	2
23	8456	Repair Kit for Chain Bracket	1	62	3903	Washer-Cable	6
24	9283	Assy-Stack Drive	1	63	9766	Assy-Deflect & Deflector	1
25	9030	Shroud-Stack Drive	1	64	6558	Molding-Deflector	1
26	9032	Assy-Brt. & Tube	1	65	STD522507	* Bolt-1/4-20 x 3/4 hex hd	3
27	8346	Assy-Cable, Tube & Sleeves	1	66	3076	Hook-Lift Spring	1
28	3955	Eye Bolt-Drive Tube	1	68	9043	Assy-Auger (16) Comp.	1
29	GM120388	* Washer-7/16 x 1 x .063 flat	5	69	6457	Elbow	1
30	4772	Spring-Washer	1	70	11420	Guard-Drive Pulley	1
31	STD541437	Nut-3/8-16 hex lock	2	71	5711	Spacer	1
32	8236	U-Bolt-Level Wind	1				
33	8399	Strap-Friction	1				
34	STD541425	* Nut-1/4-20 hex lock	6				
35	STD533707	* Bolt-3/8-16 x 3/4 carriage	3				
36	GM271190	* Nut & Lock Washer 3/8-16 hex	4				
37	STD533710	* Bolt-3/8-16 x 1 carriage	1				

520 (10.1.78) *standard hardware - purchased locally

36" ROPER SNOW THROWER LA049AR



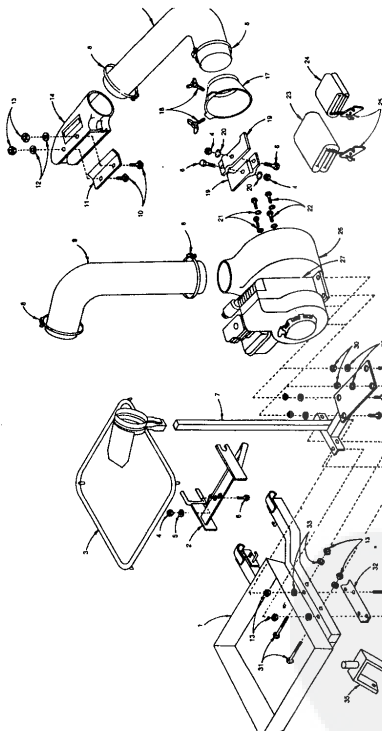
E521 (10.1.78)

36" ROPER SNOW THROWER LA049AR

Ref. No.	Part No.	Description	No. Req.	Ref. No.	Part No.	Description	No. Req.
1	11449	Assy - Mounting Frame (Upper)	1	41	7925	Assy - Lift Bar	1
2	11401	Assy - Pulley Mtg. Brkt.	1	42	3027	Spacer	1
3	STD551075	*Washer - 13/16 x 1-1/2 x .134 flat	1	43	1346	Spacer	1
4	11403	Bracket - 49/64 x 1-1/2	12	44	STD523120	Bolt - 5/16-18 x 2 hex	1
5	3396	*Washer - 49/64 x 1-1/2	12	45	6179	Spacer	1
6	9775	Assy - Pulley Hsg (comp)	1	46	GM120123	Pin - Cotter (1/8 x 1 1/2)	1
7	9776	Assy - Pulley Hsg.	1	47	STD551810	Pin - Locating	1
8	8689	Bearing - Needle	2	48	5736	Assy - Mounting Frame	1
9	5074	*Fitting - Groase	1	49	9778	Bolt - 1/2-13 x 1-1/2 hex hd	2
10	11404	Assy - Clutch Arm	1	50	STD525015	Nut - 1/2-13 hex lock	1
11	11496	Idler pulley	1	51	5736	Assy - Lift Bkt.	1
12	STD723725	*Bolt - 3/8-16 x 2-1/2 hex hd	1	52	9786	Bolt - 3/8-16 x 2 hex hd full thd	1
13	GM120388	*Washer - 7/16 x 1" x .083 flat	24	53	6441	Spacer	1
14	STD541437	*Nut - 3/8-16 hex lock	5	54	11285	Spacer	1
15	11486	Washer - Bolt Gage	1	55	STD525020	Bolt - 1/2-13 x 2 hex	1
16	GM446363	*Washer - 3/8 x 7/8 x .083 flat	2	56	GM120389	*Washer - 1/2 x 1-1/4 x .083 flat	1
17	STD551137	*Washer - 3/8 med lock	3	57	11461	Stop - Position	2
18	STD523707	*Bolt - 3/8-16 x 3/4 hex hd	4	58	STD523710	Bolt - 3/8-16 x 1 hex	2
19	11407	Bracket - Clutch Lever	1	59	11417	Assy - Pivot Brkt.	1
20	11410	Stud - Brake Release	1	60	STD523117	Bolt - 5/16-18 x 1-3/4 hex hd	4
21	STD541237	*Nut - 3/8-16 hex jam	4	61	STD541431	*Nut - 5/16-18 hex lock	4
22	11361	V-belt	1	62	11418	Strap - Header Channel	2
23	11367	V-belt	1	63	3058	Eye Bolt	2
24	11442	Assy - Belt Brake	1	64	5713	Spacer	1
25	6017	Spacer	3	65	11419	Bracket	1
26	STD551050	*Washer - 17/32 x 1-1/16 x .095	3	66	GM126422	Bolt - 3/8-16 x 2-1/4 carriage	2
27	STD624005	*Pin - Hair	4	69	6078	Handle - Lift	1
28	11414	Popper - V-belt	1	70	3339	Grip - Handle	1
29	STD533110	*Bolt - 5/16-18 x 1" carriage	1	71	4355	Roll - Crank	1
30	GM271184	*Nut & L/washer 5/16 -18 hex	6	72	10840	Handle - Grip	1
31	3059	Spring	1	73	11430	Assy - Crank Support	1
32	11458	Assy - Clutch Rod	1	74	STD624010	Pin - Hair Cotter	2
33	11019	Assy - Clutch Brkt.	1	75	7630	Bracket	1
34	10817	Collar	1	76	4798	Spring - Lift	1
35	4122	*Set Screw - 5/16-18 x 5/16 socket	4	77	5737	Assy - Chain & Toggle	1
36	3077	Spring	1	78	9222	Strap - Rear Mtg.	2
37	STD533710	*Bolt - 3/8-16 x 1 carr	1	79	STD523108	Bolt - 5/16-18 x 5/8 hex hd	4
38	GM271190	*Nut & L/washer 3/8 -16 hex	6	NP	11558	Manual - Instruction and Repair	1
39	6475	*Bolt - 3/8-16 x 3-1/2 full thd hex hd	1				
40	STD541037	*Nut - 3/8-16 Lt hex	6				

E522 (10.1.78)

*Standard Hardware - Purchased Locally

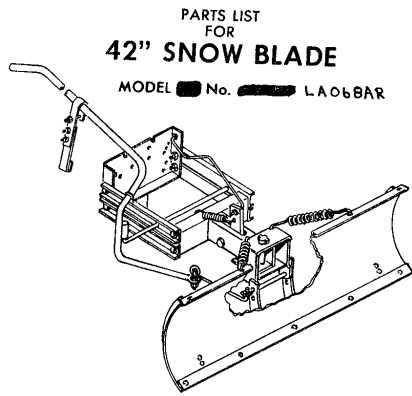


REPAIR PARTS

LA049AR Model Number PEC-301

KEY NO.	PART NUMBER	DESCRIPTION	REQ'D.
1	C-1-A	Tray and Support Assembly	1
2	C-4-R	Hitch Assembly	1
3	C-2-A	Bag Support Ring	1
4	STD-541050	Hex Nut, 1/2-13	3
5	STD	Lockwasher, 1/2 SAE	1
6	STD-525015	Hex Bolt, 1/2-13 x 1-1/2	3
7	C-3-A	Engine Support and Upright	1
8	C-10-A	Hose Clamp, 6" Dia.	4
9	C-18-A	Flex Hose, 6" Dia. x 40" Long	1
10	STD-533710	Carriage Bolt, 3/8-16 x 1	2
11	C-25-A	Boot Clamp Plate	1
12	STD-51037	Flat Washer, 3/8 SAE	2
13	STD-541237	Hex Nut, 3/8-16	6
14	B-361	Boot, 36" Hower Deck	1
16	C-21-A	Flex Hose, 6" Dia. x 36" Long	1
17	C-9-A	Blower Cone, 6" Dia.	1
18	W516182N	Wing Bolt, 5/16-18 x 2	2
19	W516182N	Wing Bolt, 5/16-18 x 2	2
19	C-11-A	Blower Blades (Set)	1
20	STD-551250	Internal Tooth Lockwasher, 1/2	2
21	STD-641231	Internal Tooth Lockwasher, 5/16	4
22	STD-623107	Hex Bolt, 5/16-24 x 7/8	4
23	C-16-A	Canvas Bag	1
24	C-17-A	Canvas Bag Cover	1
25	C-29-A	Full Cord Fastener	2
26	C-8-A	Blower Housing	1
27	143.654192	Tecumseh H35 45462L Model No. 143.654192	1
28	STD-523115	Hex Bolt, 5/16-18 x 1-1/2	4
29	STD-551131	Lockwasher, 5/16 SAE	4
30	STD-541131	Hex Nut, 5/16-18	4
31	STD-523725	Hex Bolt, 3/8-16 x 2-1/2	4
32	C-24-A	Reinforcing Angle	1
33	STD-551137	Lockwasher, 3/8 SAE	4
34	C-27-A	Wheel, 8-1/4" Dia. x 2-3/4 Wide	1
35	C-28-A	Caster Assembly	1
	PEC-301	Owner's Manual	1

Order All Replacement Parts For Model LA05 PE-CO 2807 Sweeten Creek Road, Asheville, N.C. 28803



42" SNOW BLADE KIT PARTS LIST

Order Parts From
Peeco Inc.
1902 South Main
South Bend, Ind
46613

Part No.	Description	Qty.	Part No.	Part No.	Description	Qty.	Part No.
1	Blade Assembly	1	110001	19	Latch, Lower	1	110071
2	Drawbar Assembly	1	110004	20	Screw, Hex. Hd. Cap (5/16 - 18 x 1)	2	20059
3	Frame Assembly	1	110002	21	Screw, Hex. Hd. Cap (5/16 - 18 x 1 1/2)	1	20060
4	Parallel Bar Assembly - Upper	1	110005	22	Screw, Hex. Hd. Cap (5/16 - 18 x 1)	8	20061
5	Parallel Bar Assembly - Lower	1	110009	23	Screw, Hex. Hd. Cap (7/8 - 10 x 2 1/2)	1	20043
6	Frame Mount Assembly	1	110006	24	Bolt, Chelega (1/4 - 20 x 3/4)	5	110010
7	Handle Assembly	1	120051	25	Bolt, Chelega (5/16 - 18 x 3/4)	4	110044
8	Blade Grip	1	120051	26	Bolt, Flat (1/4 - 18 x 1)	1	110044
9	Link, Index	1	20082	27	Washer, Med. Splitlock (1/4)	5	20012
10	Link, Pivot	1	20085	28	Washer, Med. Splitlock (5/16)	5	20014
11	Bar, Index	1	110008	29	Washer, Med. Splitlock (3/8)	5	20058
12	Latch, Upper	1	110007	30	Washer, Plain (5/16 SAE)	5	20018
13	Spring, Blade	2	80001	31	Nut, Hex (1/4 - 20)	8	20010
14	Spring, Tension	1	80001	32	Nut, Hex (5/16 - 18)	5	20020
15	Pin, Quarter	2	20022	33	Hex. Nut (5/16 - 18)	8	20026
16	Rod, Drawbar	1	20009	34	Pin, Coner (1/8 x 1)	5	20015
17	Shaver, Parallel Bar	8	12006	35	Nut, Hex (5/16 - 18)	2	20026
18	Extension, Handle	1	20056	36	Handle Bar Grip	1	80001

MINIMUM PARTS ORDER \$5.00. ALL STANDARD HARDWARE ITEMS MAY BE PURCHASED LOCALLY.