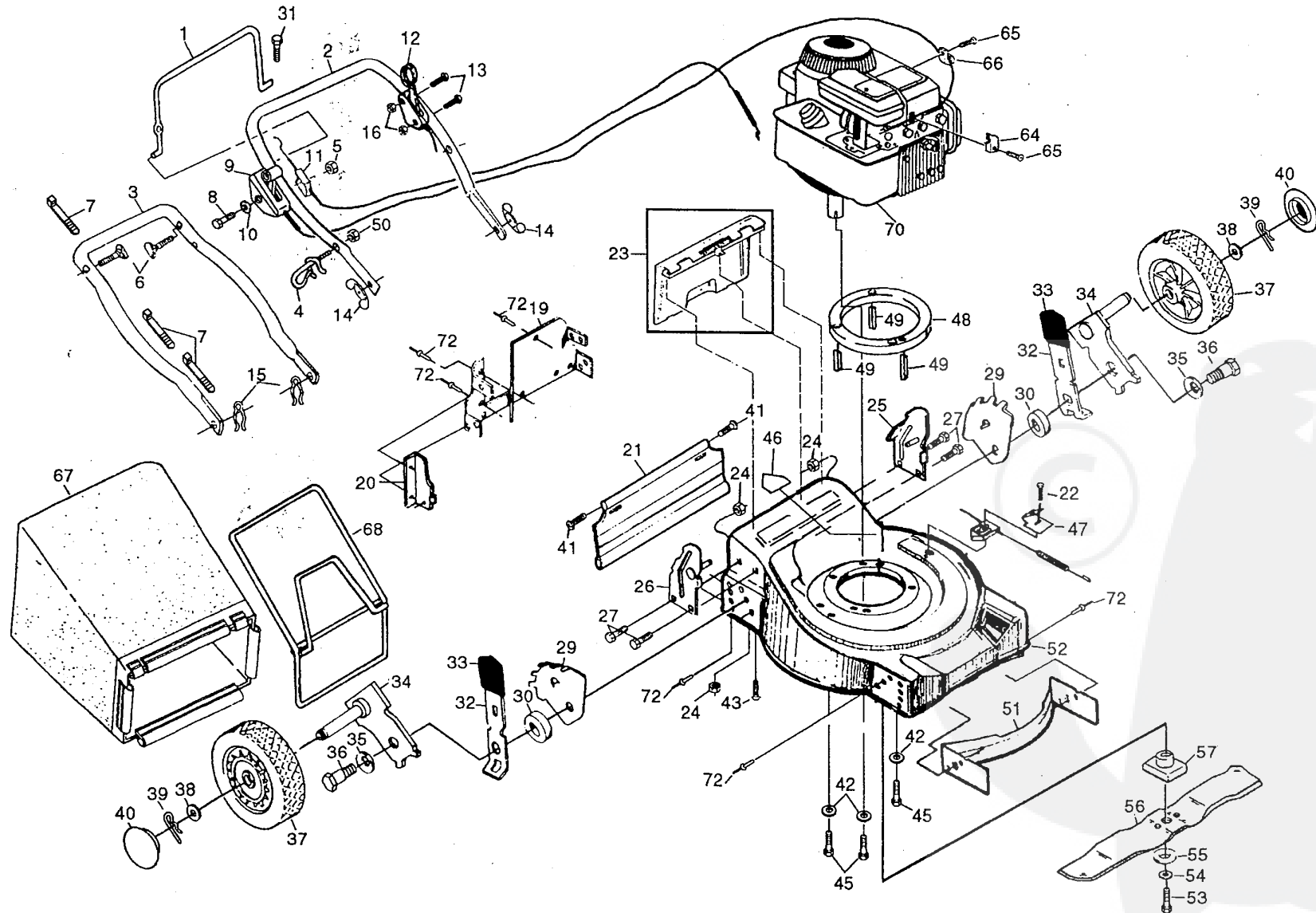


REPAIR PARTS

20" REAR BAGGER ROTARY MOWER MODEL NO. AN2C679A

2



REPAIR PARTS

20" REAR BAGGER ROTARY MOWER MODEL NO. AN2C679A

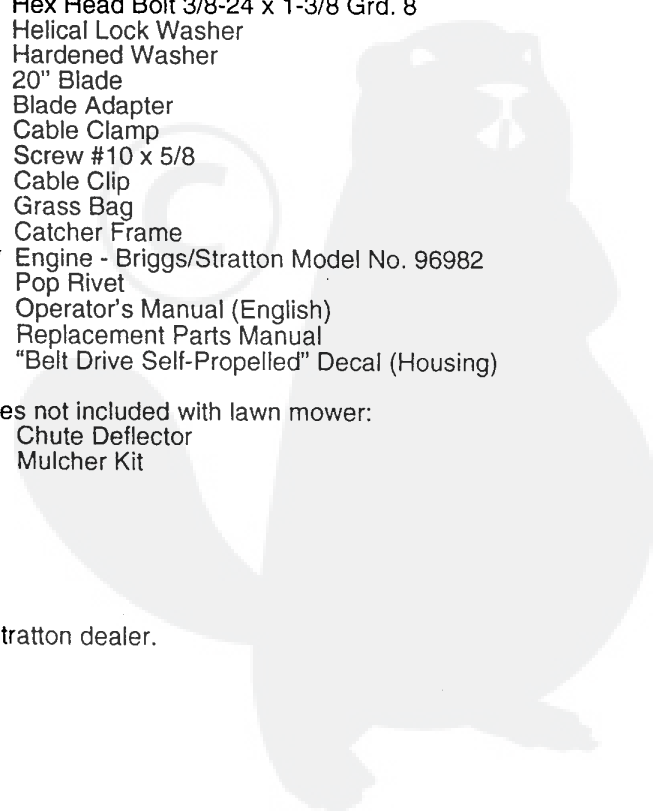
KEY NO.	PART NO.	DESCRIPTION
1	132570	Control Bar
2	132670X479	Upper Handle
3	134081X479	Lower Handle
4	132001	Rope Guide
5	63601	Locknut 1/4-20
6	131959	Handle Bolt
7	66426	Cable Tie
8	85692	Machine Screw 1/4-20 x 2 1/8
9	851462	Throttle Control
10	85723	Washer
11	130861	Engine Zone Control Cable
12	700401	Drive Control
13	750029	Pan Head Machine Screw #10-24 x 2
14	128638	Wing Nut
15	51793	Hairpin Cotter
16	74189	Locknut, #10-24
19	700356X479	Back Plate
20	700363X479	Side Baffle
21	133259	Rear Skirt
22	85768	Self-Tapping Screw #10-24 x 3/4
23	48257	Rear Door Assembly Kit
24	751592	Locknut 3/8-16
25	700913X419	Handle Bracket Assembly (Left)
26	700915X419	Handle Bracket Assembly (Right)
27	55187	Screw 5/16-18 x 3/4
29	700375	Wheel Adjusting Bracket
30	84920	Spacer
31	851552	Self-Tapping Screw #10-24 x 5/8
32	700331X004	Selector Spring
33	87877	Selector Knob
34	85021X004	Axle Arm Assembly
35	62335	Belleville Washer
36	84921	Shoulder Bolt 3/8-16
37	700953	Wheel & Tire Assembly

KEY NO.	PART NO.	DESCRIPTION
38	52160	Washer
39	85179	Retainer Clip
40	77400	Hubcap
41	88652	Hinge Screw
42	53998	Flat Washer
43	54583	Hex Tapping Screw 1/4-20 x 1/2
45	850999	Hex Head Thread Rolling Screw 3/8-16 x 1
46	107339X	Danger Decal
47	88615	Bracket Cover
48	850988	Engine Spacer
49	850987	Engine Bushing
50	73510400	Locknut 1/4-20
51	132198X479	Front Baffle
52	701949	Housing Assembly (Incl. Ref. #46)
53	851084	Hex Head Bolt 3/8-24 x 1-3/8 Grd. 8
54	850263	Helical Lock Washer
55	851074	Hardened Washer
56	850972	20" Blade
57	851514	Blade Adapter
64	213146	* Cable Clamp
65	83816	Screw #10 x 5/8
66	850472	Cable Clip
67	135200	Grass Bag
68	133413	Catcher Frame
70	-----	* Engine - Briggs/Stratton Model No. 96982
72	128415	Pop Rivet
--	700480	Operator's Manual (English)
--	701948	Replacement Parts Manual
--	133414	"Belt Drive Self-Propelled" Decal (Housing)

Available accessories not included with lawn mower:

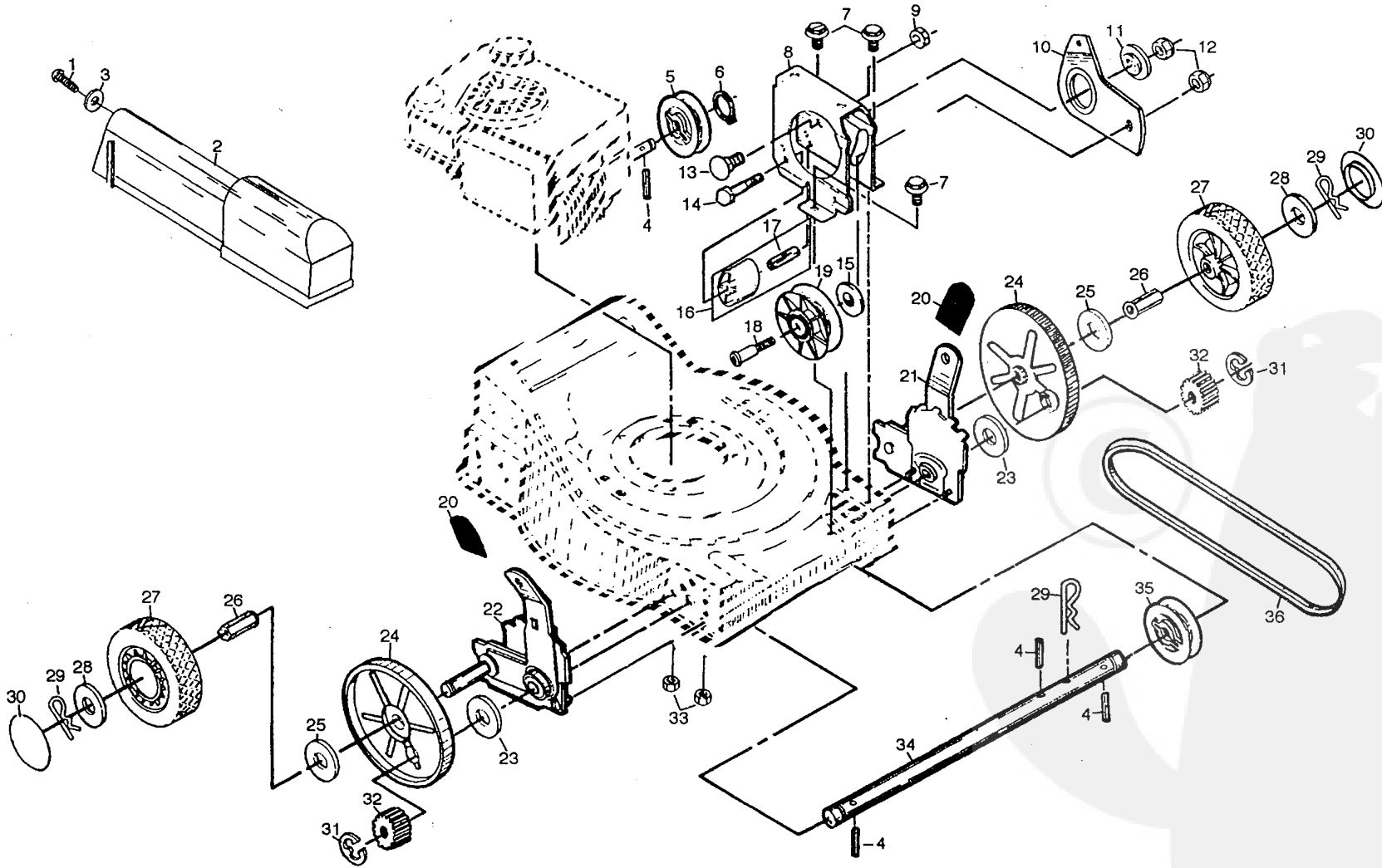
--	MA36	Chute Deflector
--	MK20FRD	Mulcher Kit

*These parts must be purchased through an authorized Briggs and Stratton dealer.



REPAIR PARTS

20" REAR BAGGER ROTARY MOWER MODEL NO. AN2C679A



REPAIR PARTS

20" REAR BAGGER ROTARY MOWER MODEL NO. AN2C679A

KEY NO.	PART NO.	DESCRIPTION
1	750097	Hex Washer Head Screw #10-24 x 1/2
2	111925X	Drive Cover
3	4802	Washer
4	851980	Drive Pawl
5	88043	Drive Pulley
6	12000030	Retaining Ring
7	54583	Screw 1/4-20 x 1/2
8	851947X004	Clutch Frame
9	50962	Locknut 1/4-20
10	88065X004	Clutch Lever
11	88067	Clutch Lever Spacer
12	750253	Locknut 5/16-18
13	72070504	Carriage Bolt 5/16-18 x 1/2
14	74350424	Hex Head Screw 1/4-20 x 1-1/2
15	88069	Spacer
16	48160	Idler Assembly (Includes Key No. 17)
17	88576	Idler Spacer
18	88517	Shoulder Bolt 5/16-18 x 1-3/8
19	88516	Idler Pulley

KEY NO.	PART NO.	DESCRIPTION
20	87877	Selector Knob
21	700339	Selector Assembly (Left)
22	700340	Selector Assembly (Right)
23	88118	Felt Washer
24	88080	Dust Cover
25	67725	Washer
26	88446	Wheel Bushing
27	800390	Wheel & Tire Assembly
28	52160	Washer
29	85179	Retainer Clip
30	77400	Hubcap
31	12000057	E-Ring
32	137054	Pinion
33	63601	Locknut 1/4-20
34	700537	Drive Shaft
35	88082	Driven Pulley
36	111924X	Drive Belt
--	852000	"Clean Under" Decal (Drive Cover)
--	850428	Decal (Drive Cover)

5

