

REPAIR PARTS MANUAL
MODEL NO. WZ15542RDHD
Lawn Tractor

WIZARD

HOW TO USE THIS MANUAL

This manual is designed to provide the customer with a means to identify the parts on his/her tractor when ordering repair parts. The illustrations may or may not represent the actual assemblies; therefore, it is not recommended to use this manual as a guide to assemble or disassemble the tractor. Some hardware and parts are drawn larger in order to more readily identify them.

Each tractor has its own model number.

The model number for your tractor can be found on the fender under the seat.

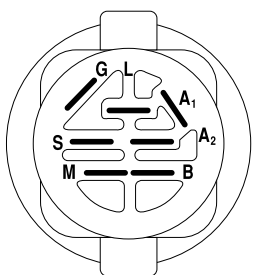
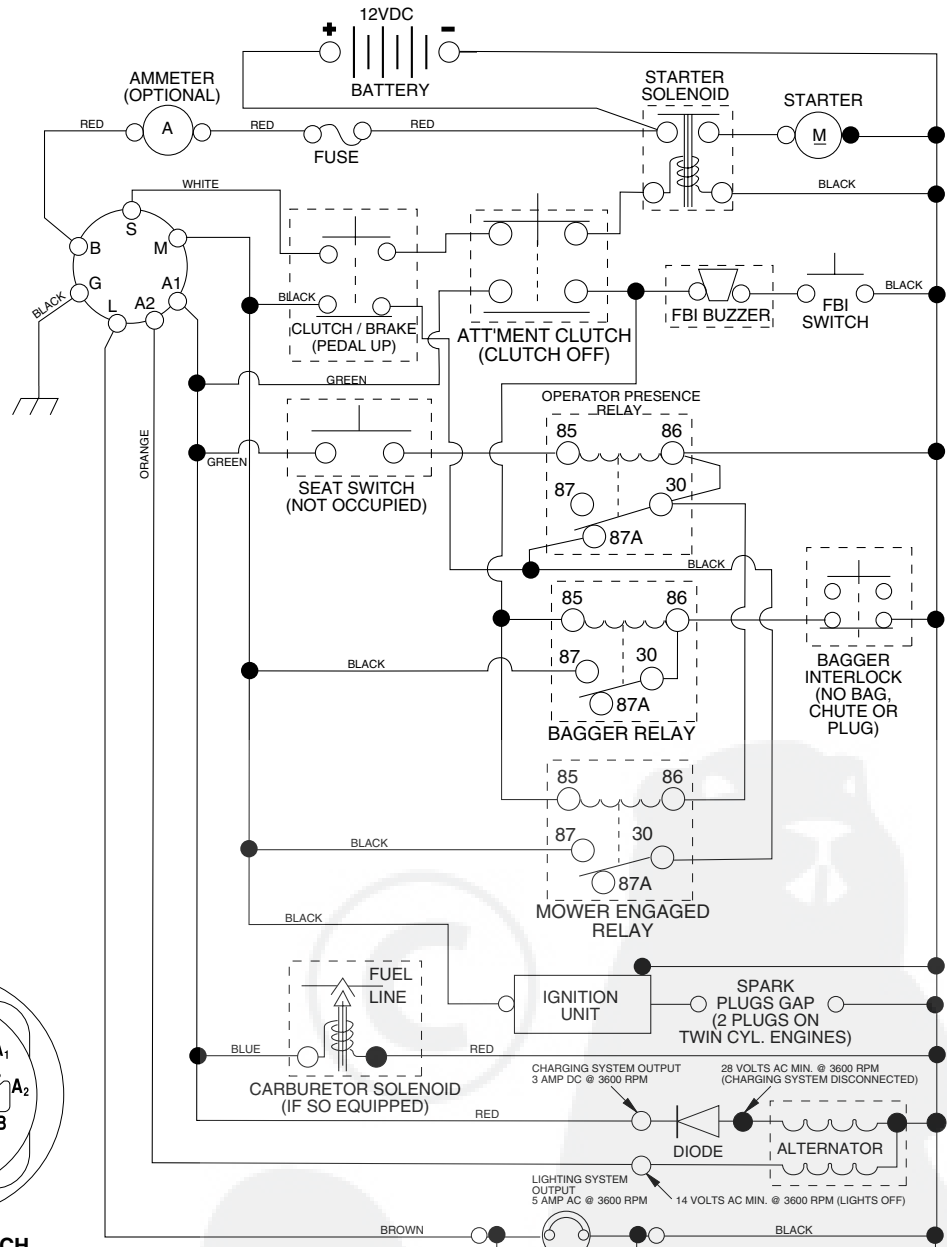
When ordering parts, always give the following information:

- Product - "Tractor"
- Model Number - "WZ15542RDHD"
- Part Number
- Part Description

TABLE OF CONTENTS

SCHEMATIC.....	3
ELECTRICAL.....	4-5
CHASSIS.....	6-7
DRIVE.....	8-9
STEERING.....	10-11
SEAT.....	12
DECALS.....	13
ENGINE.....	14-15
MOWER LIFT.....	16-17
MOWER DECK.....	18-19
BAGGER.....	20-21
WARRANTY.....	22

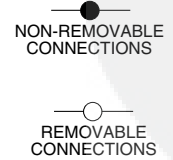
TRACTOR- -MODEL NO. WZ15542RDHD, PRODUCT NO. 954 56 66-07 SCHEMATIC



IGNITION SWITCH

POSITION	CIRCUIT	"MAKE"
OFF	M+G+A1	NONE
RUN/LIGHT	B+A1	A2+L
RUN	B+A1	NONE
START	B + S + A1	NONE

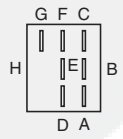
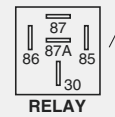
WIRING INSULATED CLIPS
NOTE: IF WIRING INSULATED CLIPS WERE REMOVED FOR SERVICING OF UNIT, THEY SHOULD BE REPLACED TO PROPERLY SECURE YOUR WIRING.



PTO SWITCH

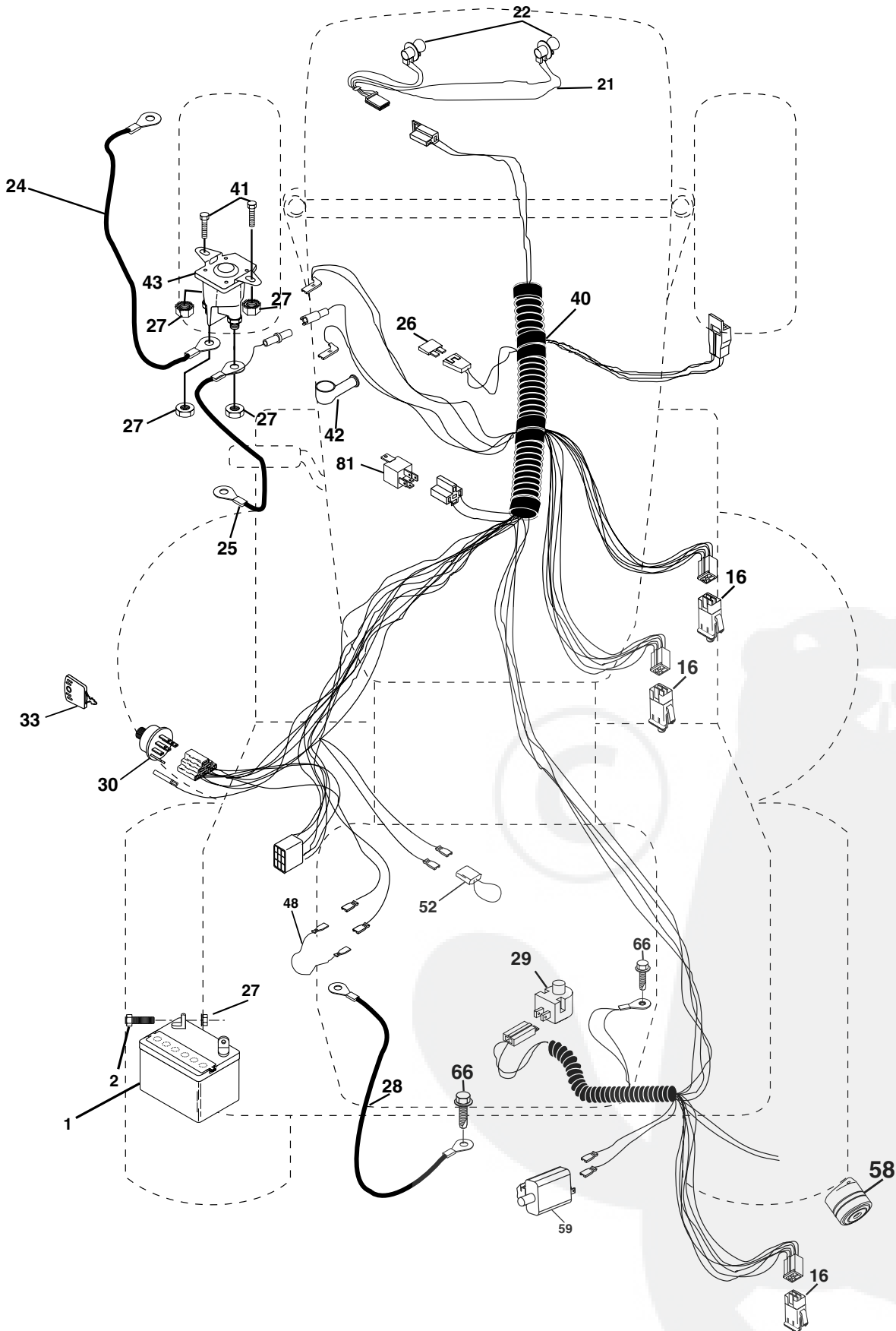
POSITION	CIRCUIT
OFF	C + G, B + H
ON	C + F, B + E, A + D

NOTE
YOUR TRACTOR IS EQUIPPED WITH A SPECIAL ALTERNATOR SYSTEM. THE LIGHTS ARE NOT CONNECTED TO THE BATTERY, BUT HAVE THEIR OWN ELECTRICAL SOURCE. BECAUSE OF THIS, THE BRIGHTNESS OF THE LIGHTS WILL CHANGE WITH ENGINE SPEED. AT IDLE THE LIGHTS WILL DIM, AS THE ENGINE IS SPEEDED UP, THE LIGHTS WILL BECOME THEIR BRIGHTEST.



REPAIR PARTS

TRACTOR- -MODEL NO. WZ15542RDHD, PRODUCT NO. 954 56 66-07
ELECTRICAL

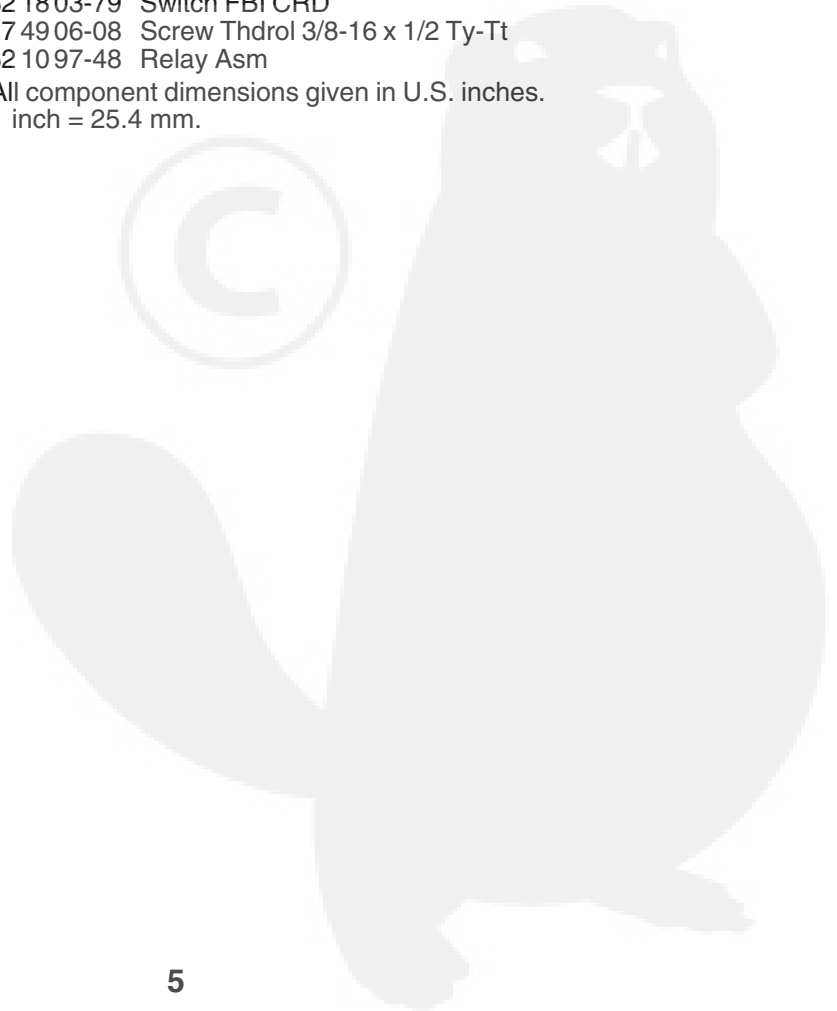
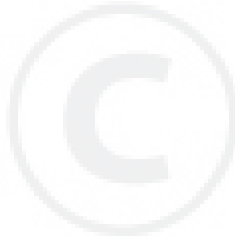


REPAIR PARTS

TRACTOR- -MODEL NO. WZ15542RDHD, PRODUCT NO. 954 56 66-07
ELECTRICAL

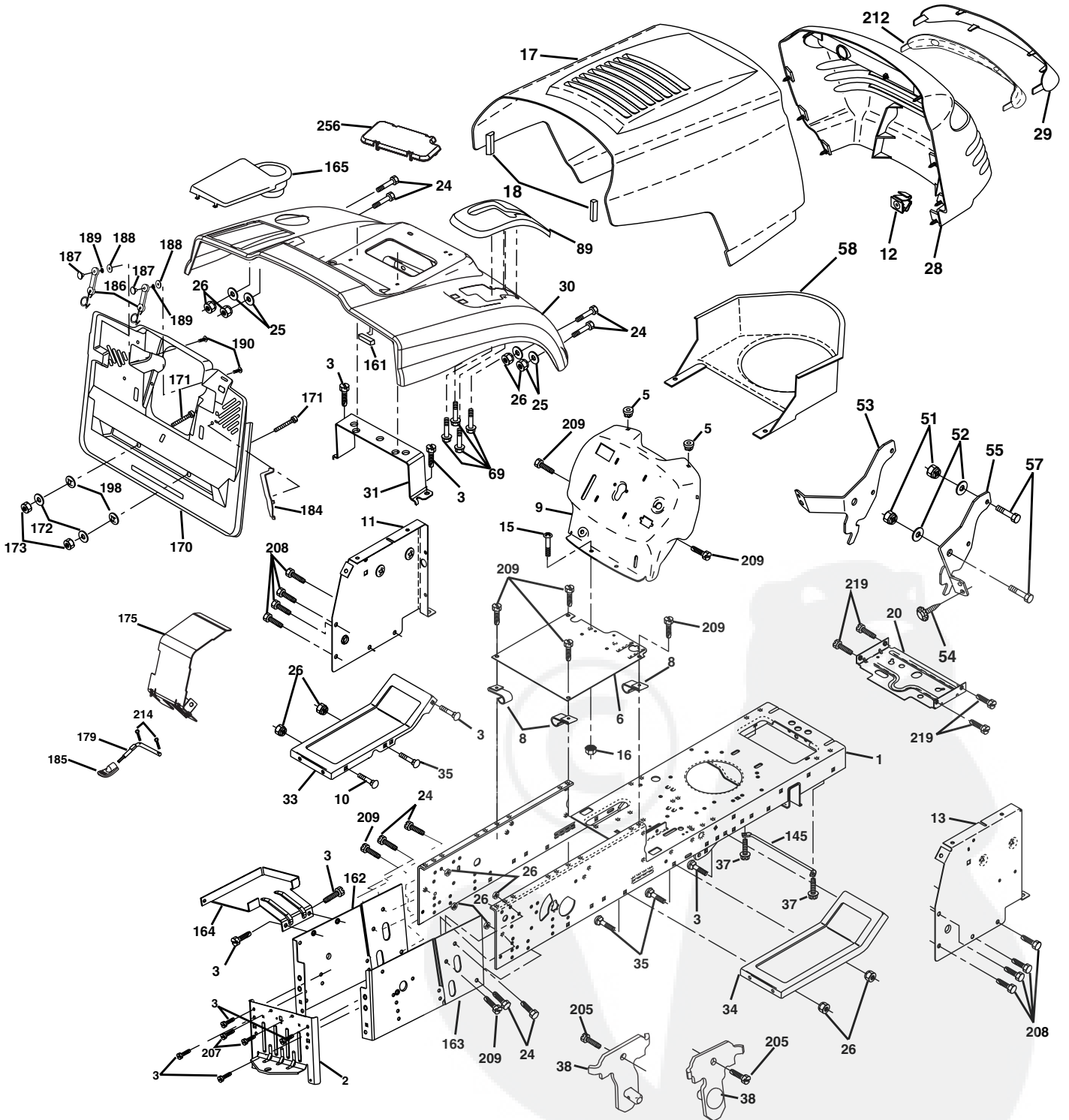
KEY NO.	PART NO.	DESCRIPTION
1	532 16 34-65	Battery
2	874 76 04-12	Bolt Hex Hd 1/4-20 Unc X 3/4
16	532 17 61-38	Switch Interlock
21	532 17 56-85	Harness Asm Light W/4152J
22	532 00 41-52	Bulb Light #1156
24	532 12 47-80	Cable Starter 6Ga 11" Red
25	532 16 59-87	Cable Battery Crd 56" Red
26	532 17 51-58	Fuse
27	873 51 04-00	Nut Keps Hex 1/4-20 Unc
28	532 12 77-25	Cable Ground 6Ga 18" Black
29	532 16 07-84	Switch Plunger Normal Op Olive
30	532 17 55-66	Switch Ignition
33	532 14 04-01	Key Ign Molded Indak
40	532 17 97-28	Harness Ign
41	871 11 04-08	Bolt Flk Fin Hex 1/4-20 Unc X 1/2
42	532 13 15-63	Cover Terminal Red
43	532 17 88-61	Solenoid
48	532 14 08-44	Adapter Ammeter Rectangular
52	532 14 19-40	Protection Wire Loop
58	532 16 94-19	Buzzer Crd
59	532 18 03-79	Switch FBI CRD
66	817 49 06-08	Screw Thdrol 3/8-16 x 1/2 Ty-Tt
81	532 10 97-48	Relay Asm

NOTE: All component dimensions given in U.S. inches.
1 inch = 25.4 mm.



REPAIR PARTS

TRACTOR- -MODEL NO. WZ15542RDHD, PRODUCT NO. 954 56 66-07
CHASSIS AND ENCLOSURES



REPAIR PARTS

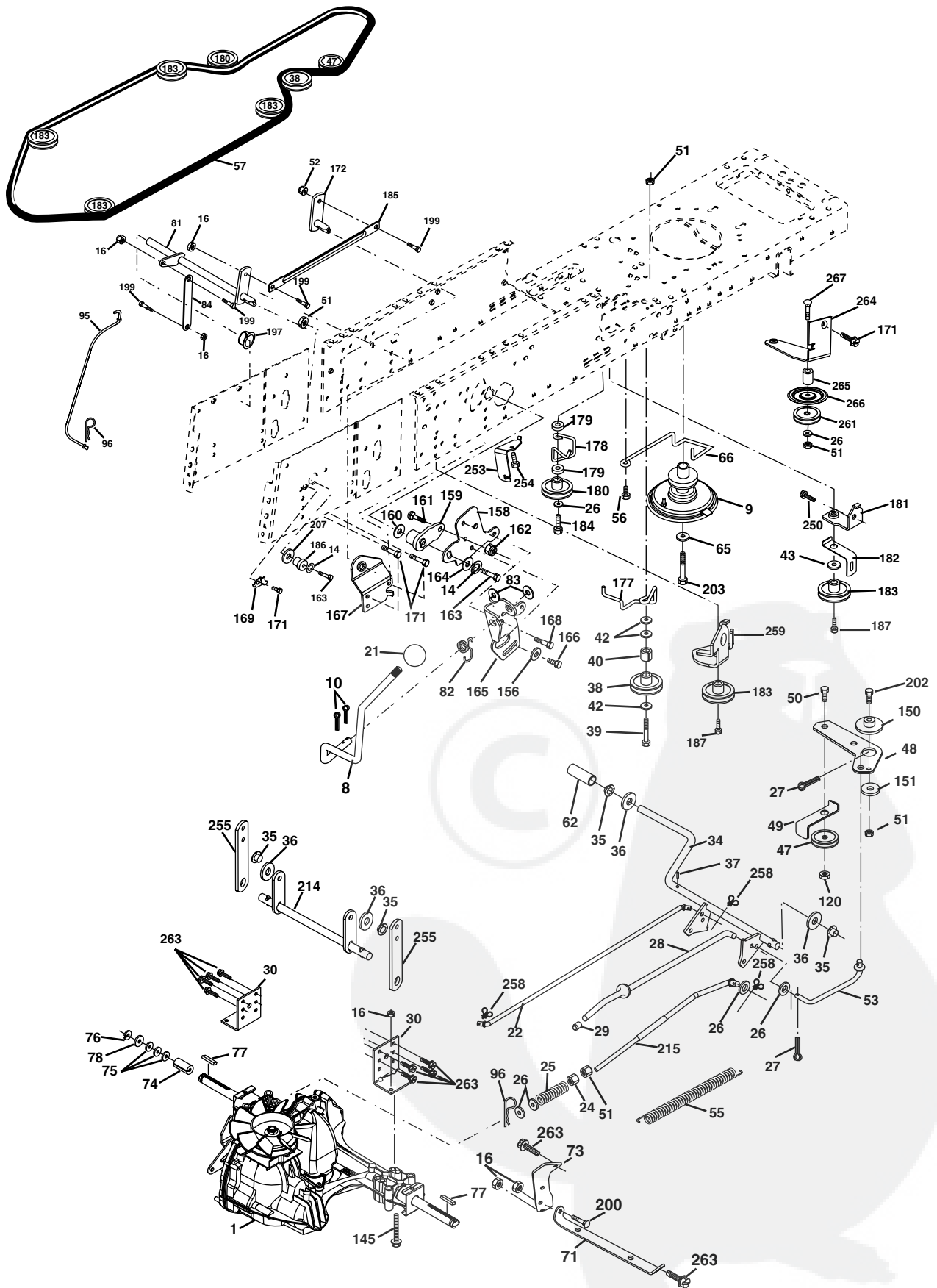
TRACTOR- -MODEL NO. WZ15542RDHD, PRODUCT NO. 954 56 66-07 CHASSIS AND ENCLOSURES

KEY NO.	PART NO.	DESCRIPTION	KEY NO.	PART NO.	DESCRIPTION
1	532 17 46-20	Chassis	58	532 17 49-30	Duct Air Engine PI/Lt
2	532 18 03-84	Drawbar	69	532 14 24-32	Screw Hex 1/4-1/2
3	817 06 06-12	Screw 3/8-16 x .75	89	532 18 13-60	Console
5	532 15 52-72	Bumper Hood/Dash	145	532 15 65-24	Rod Pivot Chassis/Hood
6	532 15 59-23	Saddle	161	532 16 46-55	Bumper Extrusion
8	532 12 64-71	Clip Insulator 13/32 Mtg. Hole	162	532 18 03-82	Bracket Exten Chassis Lh CRD
9	532 17 22-43	Dash	163	532 18 03-83	Bracket Exten Chassis Rh CRD
10	872 14 06-08	Bolt, Carriage 3/8-16 x 3/4	164	532 16 56-05	Support Battery CRD
11	532 17 49-96	Panel, Dash, L.H.	165	532 18 13-54	Cover Battery CRD Lt
12	532 14 56-60	Clip Tinnerman Grille P/L	170	532 17 88-62	Backplate Asm CRD
13	532 18 17-19	Panel, Asm. Dash R.H.	171	872 14 06-20	Bolt Rdhd Sqnk 3/8-16 x 2-1/2 G5
15	874 18 05-12	Screw, Machine, Truss Head 5/16-18 UNC x 3/4	172	819 13 20-16	Washer 13/32 x 1-1/4 x 16 Ga.
16	873 51 05-00	Nut	173	873 51 06-00	Nut, Keps Hex 3/8-16 UNC
17	532 16 35-57	Hood Assembly	175	532 18 03-10	Trap Door CRD
18	532 12 69-38	Bumper Hood	179	532 18 03-76	Rod Pivot FBI CRD
20	532 18 06-79	Plate Mtg. Battery/Fuel Tank	184	532 17 46-62	Bracket Actuator Bagger CRD
24	874 78 06-16	Bolt	185	532 18 11-01	Knob Rod
25	819 13 13-12	Washer 13/32 x 13/16 x 12 Gauge	186	532 16 07-93	Latch Asm Multch Bagger
26	873 80 06-00	Nut	187	532 12 50-04	Nut Weld .327/.304 #10-24
28	532 17 91-01	Grille Lens Asm	188	819 06 12-16	Washer #10
29	532 16 81-54	Lens	189	810 07 10-00	Washer Lock #10
30	532 18 13-59	Fender	190	871 08 10-10	Screw Pan Hd Phillips 10-24 x 5/8
31	532 16 51-56	Bracket, Fender Support	198	532 16 89-37	Nut Push
33	532 18 11-93	Footrest, L.H.	205	817 49 06-08	Screw 3/8-16 x 1/2
34	532 18 11-94	Footrest, R.H.	207	817 67 05-08	Screw Thdrol 5/16-18 x 1/2
35	872 11 06-06	Bolt	208	817 67 06-08	Screw Thdrol 3/8-16 x 1/2
37	817 49 05-08	Screw Thdrol 5/16-18 x 1/2 TYT	209	817 00 06-12	Screw Hex Wsh Thdrol 3/8-16 x 3/4
38	532 18 17-48	Bracket Asm Pivot Mower Rear	212	532 15 62-29	Insert Lens Reflective
51	873 80 04-00	Nut Lock w/Insert 1/4-20 UNC	214	532 12 47-88	Retainer Spring 1"
52	819 09 14-16	Washer 9/32 x 7/8 x 16 Ga.	215	817 06 05-08	Screw 5/16-18 x 1/2
53	532 14 46-97	Bracket Grille Lh	219	817 00 05-12	Screw 5/16-18 x 3/4
54	532 16 14-64	Screw Hex Wshd 8-18 x 7/8	256	532 18 13-61	Cover Fender Rack CRD
55	532 14 46-96	Bracket Grille Rh	--	532 00 54-79	Plug, Button
57	874 78 04-12	Bolt, Fin Hex 1/4-20 UNC x .75			

NOTE: All component dimensions given in U.S. inches.
1 inch = 25.4 mm.

REPAIR PARTS

TRACTOR- -MODEL NO. WZ15542RDHD, PRODUCT NO. 954 56 66-07
DRIVE



REPAIR PARTS

TRACTOR- -MODEL NO. WZ15542RDHD, PRODUCT NO. 954 56 66-07

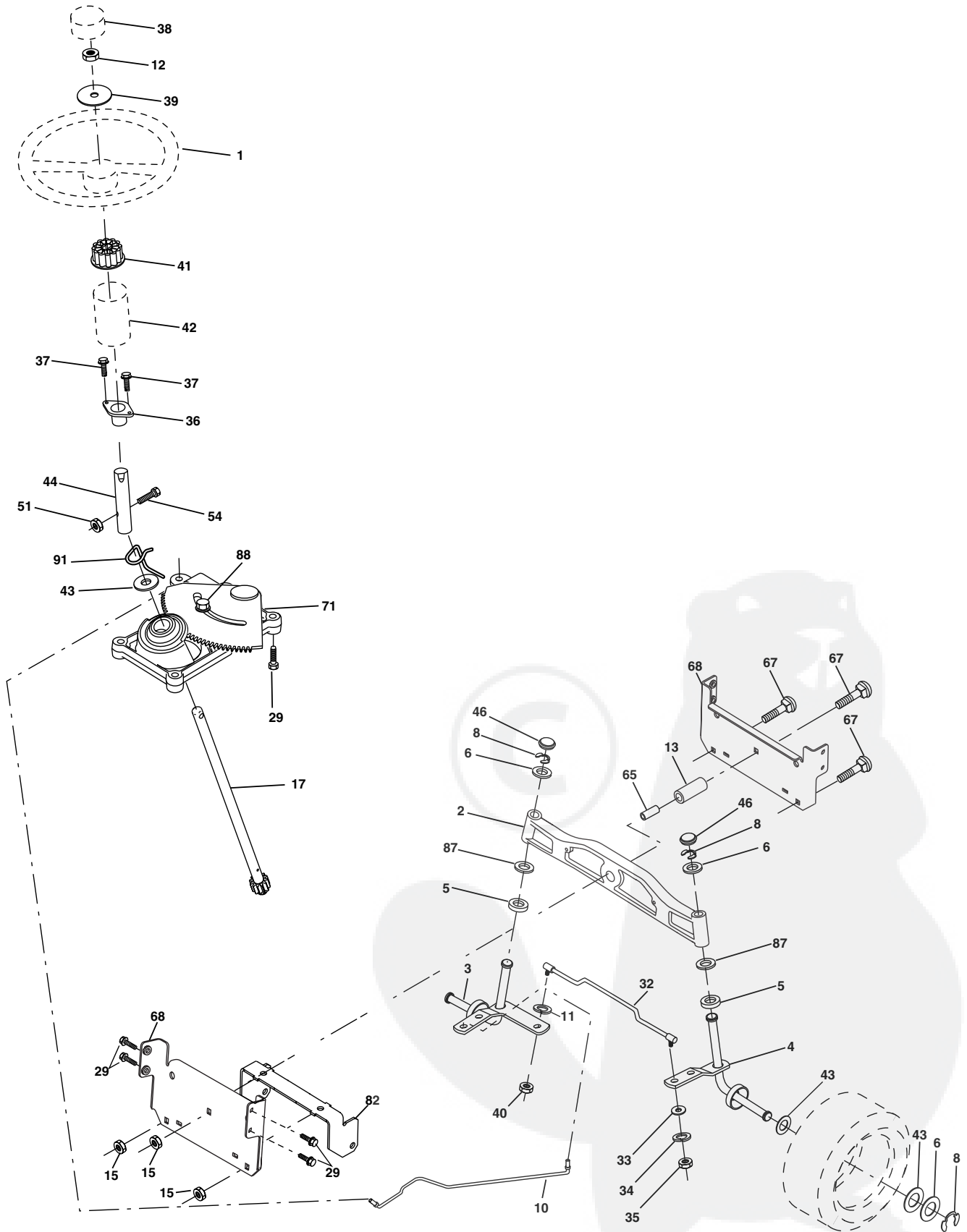
DRIVE

KEY NO.	PART NO.	DESCRIPTION	KEY NO.	PART NO.	DESCRIPTION
1	-----	Transaxle Hydro Gear 321-0510 (Order parts from transaxle manufacturer)	120	8739006-00	Nut Lock Flg. 3/8-16 Unc
8	532 1656-19	Rod, Shift Fender Adjust Lt	145	8744905-44	Bolt Hex FGHD 5/16-18 x Gr 5
9	532 1803-54	Clutch Noram	150	532 1658-50	Bushing, Bellcrank Grnd Dr
10	8760204-16	Pin, Cotter 1/8 x 1	151	8191332-10	Washer 13/32 x 2 x 10 Ga.
14	8100404-00	Washer, Lock Hvy Helical	156	532 1660-02	Washer Srrted 5/16ID x 1.125
16	8738005-00	Nut, Lock Hex w/Ins 5/16-18 UNC	158	532 1655-89	Bracket Shift Mount
19	8738006-00	Nut Lock 3/8-16	159	532 1654-94	Hub Tapered Flange Shift Lt
21	532 1305-64	Knob	160	8192920-16	Washer 29/32 x 1-1/4 x 16 Ga.
22	532 1756-07	Rod, Brake	161	8721404-06	Bolt Rdhd Sqnk 1/4-20 x 3/4 Gr 5
24	8733506-00	Nut	162	8736804-00	Nut Crownlock 1/4-20 Unc
25	532 1068-88	Spring, Rod, Brake	163	8747804-16	Bolt Hex Fin 1/4-20 Unc x 1 Gr 5
26	8191313-16	Washer 13/32 x 13/16 x 16 Ga.	164	8190910-10	Washer 5/8 x .281 x 10 Ga.
27	8760204-12	Pin, Cotter 1/8 x 3/4	165	532 1656-23	Bracket Pivot Lever
28	532 1757-65	Rod, Parking Brake	166	532 1668-80	Screw 5/16-18 x 5/8
29	532 0716-73	Cap, Parking Brake	167	532 1655-88	Bracket Support Shift CRD
30	532 1695-92	Bracket, Mfg. Transaxle	168	532 1654-92	Bolt Shoulder 5/16-18 x .561
34	532 1755-78	Shaft, Asm Pedal Foot CRD	169	532 1655-80	Plate Fastening Lt
35	532 1201-83	Bearing, Nylon	171	8174906-08	Screw Thdrol 3/8-16 x 1/2 Ty-Tt
36	8192116-16	Washer 21/32 x 1 x 16 Ga.	172	532 1702-71	Shaft Asm Shifter Frt CRD
37	532 1249-63	Pin, Roll 3/16 x 1"	177	532 1659-32	Keeper Flat Idler 3.06" CRD
38	532 1659-36	Pulley Flat Composite 3.06"	178	532 1659-33	Keeper Belt Idler 1.88" CRD
39	8747606-44	Bolt Fin Hex 3/8-16 Unc x 2-3/4	179	532 1209-58	Washer Sintered
40	532 1249-65	Spacer, Split 395 x 59 Bzp	180	532 1656-30	Pulley, Idler, Flat 1.88"CRD
42	8191313-12	Washer 13/32 x 13/16 x 12 Ga.	181	532 1802-11	Bracket Idler Ground Drive CRD
43	8191110-12	Washer 11/32 x 5/8 x 12 Ga.	182	532 1826-82	Keeper Belt 2.5" V-Idler CRD
47	532 1277-83	Pulley, Idler, V Groove Plasic	183	532 1790-50	Pulley V-Idler 2.50" Od CRD
48	532 1544-07	Bellcrank Clutch Grnd Drv	184	8174906-44	Screw Hexwsh Thdrol 3/8-16 x 2-3/4
49	532 1232-05	Retainer, Belt Style Spring	185	532 1700-08	Link Shift
50	8747606-24	Bolt Hex Hd 3/8-16 UNC x 1-1/2	186	532 1656-14	Hub Tapered Round CRD
51	8736806-00	Nut, Crownlock 3/8-16 UNC	187	8175805-20	Screw Thdrol 5/16-18 x 1.25
52	8736805-00	Nut Crownlock 5/16-18	197	532 1696-13	Nyliner Snap-In 5/8
53	532 1057-10	Link, Clutch 7.66	199	532 1696-12	Bolt Shoulder 5/16-18 Unc
55	532 1057-09	Spring, Return, Clutch	200	8721405-08	Bolt RDHD SQNK 5/16-18 x 1
56	8170606-20	Screw 3/8-16 x 1-1/4	202	8721106-14	Bolt Carr. Sh. 3/8-16 x 1-3/4 Gr. 5
57	532 1701-40	V-Belt Kev 112" 0650 CRD	203	8711707-80	Bolt Hex 7/16-20 x 5
62	532 1248-72	Cover, Pedal	207	532 1698-45	Washer Nylon Rear
65	8100407-00	Washer	214	532 1756-09	Shaft Asm. Brake
66	532 1547-78	Keeper, Belt Engine F-Proof	215	532 1756-52	Rod Brake Hydro
71	532 1691-83	Strap, Torque, Lh	250	8170706-12	Screw 3/8-16 x .75
73	532 1691-82	Strap, Torque, Rh	253	532 1750-28	Bracket Cable Chassis
74	532 1370-57	Spacer, Split	254	8170606-16	Screw 3/8-16 x 1
75	532 1217-49	Washer 25/32 x 1-1/4 x 16 Ga.	255	532 1756-08	Brace Shaft Brake Mtg.
76	8120000-01	Ring, E	258	532 1780-62	Clip Retainer
77	532 1235-83	Key, Square	259	532 1802-12	Bracket Pulley
78	532 1217-48	Washer 25/32 x 1-5/8 x 16 Ga.	261	532 1314-94	Pulley Idler
81	532 1700-06	Asm, Shaft	263	8170005-12	Screw Hex Wsh Thdrol 3/8-16 x 3/4
82	532 1657-11	Spring, Torsion	264	532 1819-95	Bracket Clutch Mounting
83	8191712-16	Washer 17/32 x 3/4 x 16 Ga.	265	532 1820-13	Spacer Idler Chassis
84	532 1700-07	Link, Transaxle	266	532 1820-61	Shield Idler
95	532 1700-15	Control Asm Bypass Hydro	267	8721406-26	Bolt RDHD SQNK 3/8-16unc x 3-1/4
96	532 1247-88	Spring, Retainer 1"			

NOTE: All component dimensions given in U.S. inches
1 inch = 25.4 mm

REPAIR PARTS

TRACTOR- -MODEL NO. WZ15542RDHD, PRODUCT NO. 954 56 66-07
STEERING ASSEMBLY



REPAIR PARTS

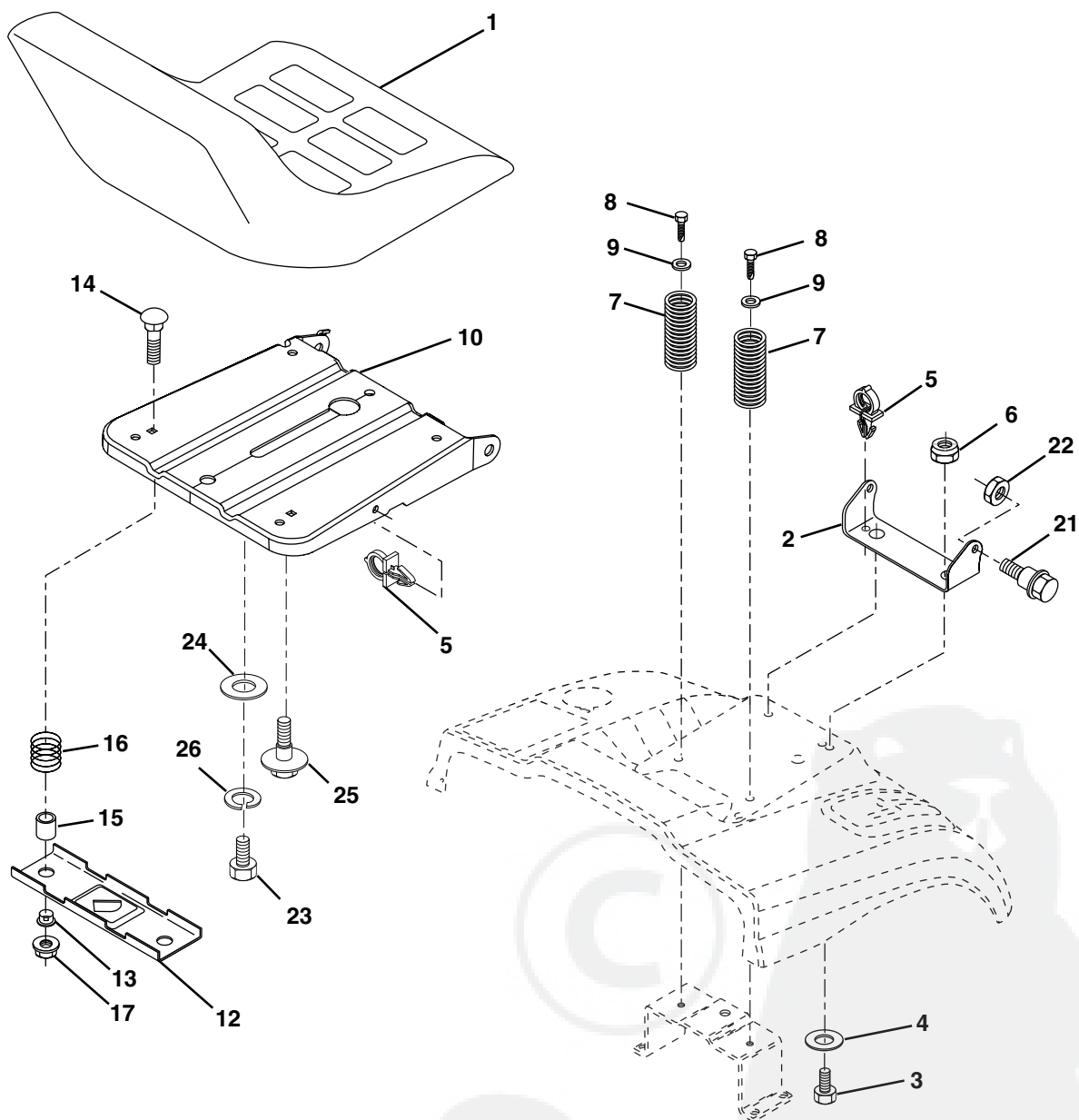
TRACTOR- -MODEL NO. WZ15542RDHD, PRODUCT NO. 954 56 66-07 STEERING ASSEMBLY

KEY NO.	PART NO.	DESCRIPTION
1	532 17 59-04	Steering Wheel
2	532 17 23-93	Cast Iron Axle Assembly
3	532 16 98-40	Spindle Assembly, L.H.
4	532 16 98-39	Spindle Assembly, R.H.
5	532 12 49-31	Bearing, Race, Thrust, Hardened
6	532 12 17-48	Washer 25/32 x 1-5/8 x 16 Gauge
8	812 00 00-29	Ring, Klip
10	532 17 51-21	Link, Drag
11	810 04 06-00	Washer, Lock
12	873 94 08-00	Nut Hex Jam Toplock 1/2-20
13	532 13 65-18	Spacer Brg Axle Front
15	532 14 52-12	Nut, Hexflange Lock
17	532 17 78-76	Shaft Assembly, Steering
29	817 06 06-12	Screw, 3/8-16 x 3/4
32	532 17 01-62	Rod, Tie
33	819 11 12-16	Washer 11/32 x 3/4 x 16 Ga
34	810 04 05-00	Washer Lock Hvy Hlcl Spr 5/16
35	873 54 05-00	Nut Crownlock 5/16-24 Unf
36	532 15 50-99	Bushing, Steering
37	532 15 29-27	Screw TT #10-32 x 5 x 3/8 Flange
38	532 17 59-05	Cap Wheel Steer
39	819 18 38-12	Washer 9/16 x 2-3/8
40	532 12 47-01	Nut Lock Center 3/8-24 Unf
41	532 10 07-11	Adaptor, Steering Wheel
42	532 16 96-33	Boot, Steering Dash P/L Mtl
43	532 12 17-49	Washer 25/32 x 1-1/4 x 16 Gauge
44	532 18 06-40	Extension Steering Non-Adjust
46	532 12 12-32	Cap, Spindle
51	873 54 04-00	Nut 1/4-28
54	871 13 04-20	Bolt Hex 1/4-28 x 1-1/4
63	874 78 06-16	Bolt Fin Hex 3/8-16 unc. x 1 Gr. 5
65	532 16 03-67	Spacer Brace Axle
67	872 14 06-18	Bolt Rdhd Sq 3/8-16 UNC x 2-1/4
71	532 17 51-46	Steering Asm.
68	532 16 98-27	Brace Axle
82	532 16 98-35	Bracket Susp Chassis Front
87	532 17 39-66	Washer Flat .781 x 1-1/2 x .14
88	532 17 51-18	Bolt Shoulder 7/16-20 Unc
91	532 17 55-53	Clip Steering

NOTE: All component dimensions given in U.S. inches.
1 inch = 25.4 mm.

REPAIR PARTS

TRACTOR- -MODEL NO. WZ15542RDHD, PRODUCT NO. 954 56 66-07 SEAT ASSEMBLY



KEY NO.	PART NO.	DESCRIPTION
1	532 1274-28	Seat
2	532 1405-51	Bracket Pnt Pivot Seat (blk)
3	871 1106-16	Bolt Fin Hex 3/8-16 Unc x 1
4	819 1316-10	Washer Flat 13/32 x 1 x 10 Ga.
5	532 1450-06	Clip Push In Hinged
6	873 8006-00	Nut Lock Hex 3/8-16 Unc
7	532 1241-81	Spring Seat Cprsn 2 250 Blk Zi
8	817 0006-16	Screw 3/8-16 X 1-1/2
9	819 1316-14	Washer 13/32 X 1 X 14 Ga
10	532 1824-93	Pan Pnt Seat
11	532 1663-69	Knob Seat Adj Wingnut
12	532 1212-46	Bracket Pnt Mounting Switch
13	532 1212-48	Bushing Snap Blk Nyl 50 Id

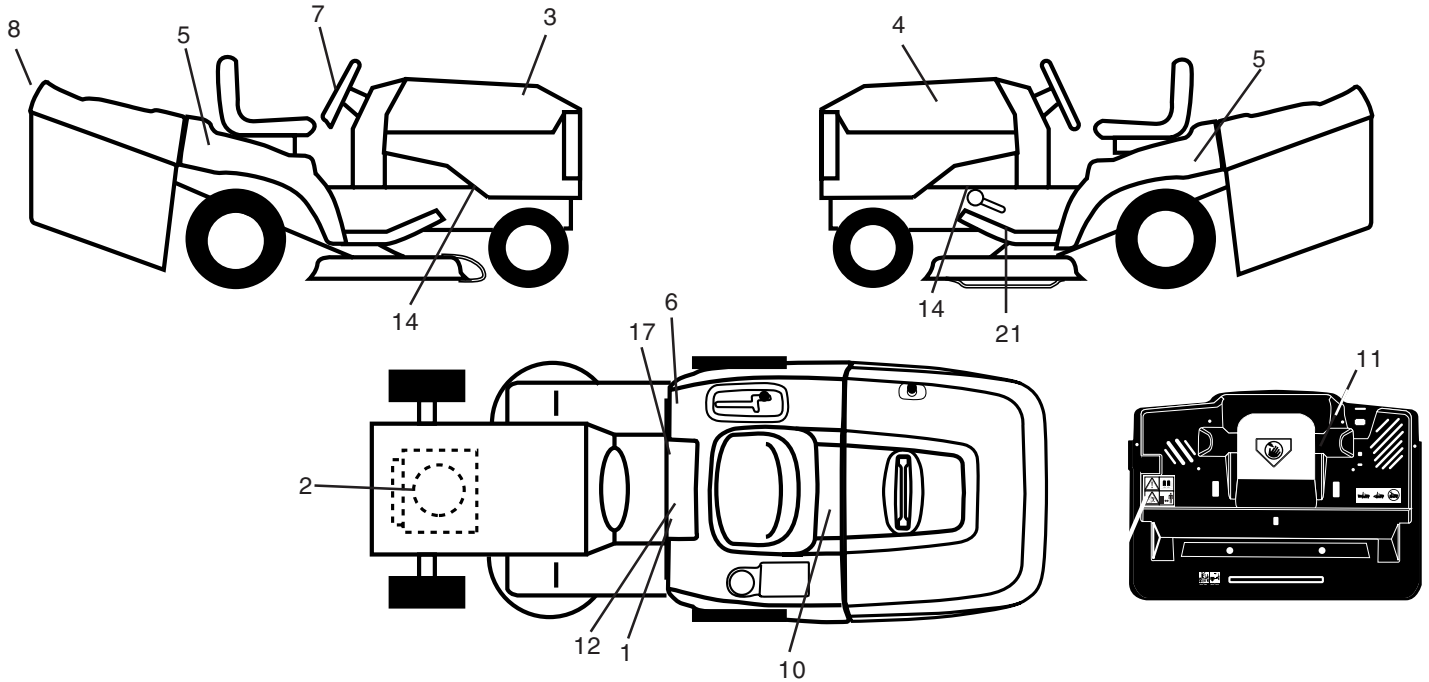
KEY NO.	PART NO.	DESCRIPTION
14	872 0504-12	Bolt Rdhd Sht Nk 1/4-20x1-1/2
15	532 1343-00	Spacer Split
16	532 1212-50	Spring Cprsn
17	532 1239-76	Nut Lock 1/4 Lge Flg Gr 5 Zinc
21	532 1718-52	Bolt Shoulder 5/16-18 Unc-2A
22	873 8005-00	Nut Hex Lock w/Ins 5/16-18
23	871 1108-14	Bolt Hex Black
24	819 1719-12	Washer 17/32 X 1-3/16 X 12 Ga.
25	532 1270-18	Bolt Shoulder 5/16-18 X 62
26	810 0408-00	Washer Lock Hvy HLCL Spr. 1/2

NOTE: All component dimensions given in U.S. inches.
1 inch = 25.4 mm

REPAIR PARTS

TRACTOR- -MODEL NO. WZ15542RDHD, PRODUCT NO. 954 56 66-07

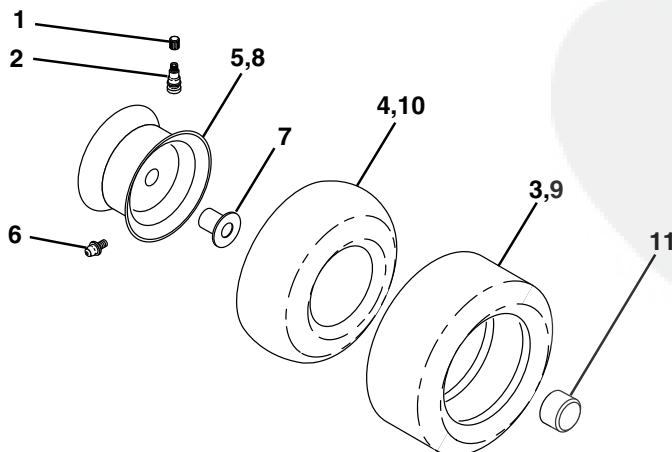
DECALS



KEY NO.	PART NO.	DESCRIPTION
1	532 14 54-98	Decal Read Owner's Manual Sym
2	532 17 63-98	Decal Hp Engine
3	532 17 26-64	Decal Hood RH
4	532 17 26-65	Decal Hood LH
5	532 16 37-69	Decal Fender
6	532 18 04-32	Decal 100 DBA
7	532 16 71-08	Decal Steering Wheel
8	532 18 26-21	Decal Bagger
10	532 14 50-05	Decal Bat Dan/Poi P/L Sym Wpn
11	532 18 21-66	Decal Mower Cut Finger Symbol

KEY NO.	PART NO.	DESCRIPTION
12	532 15 97-37	Decal Brake/Clutch Symbol Lt
14	532 15 97-36	Decal Chassis Hot Muffler
17	532 14 08-37	Decal Saddle Brake Parking
21	532 16 62-86	Decal Hex Belt Sch
—	532 16 69-60	Decal Bypass Fender CRD
—	532 13 83-11	Decal Lift Handle
—	532 18 10-90	Pad Footrest RH
—	532 18 01-91	Pad Footrest LH
—	532 18 28-18	Manual Operator's (Euro)
—	532 18 28-19	Manual Operator's (Scand)
—	532 18 28-20	Manual Parts

WHEELS & TIRES

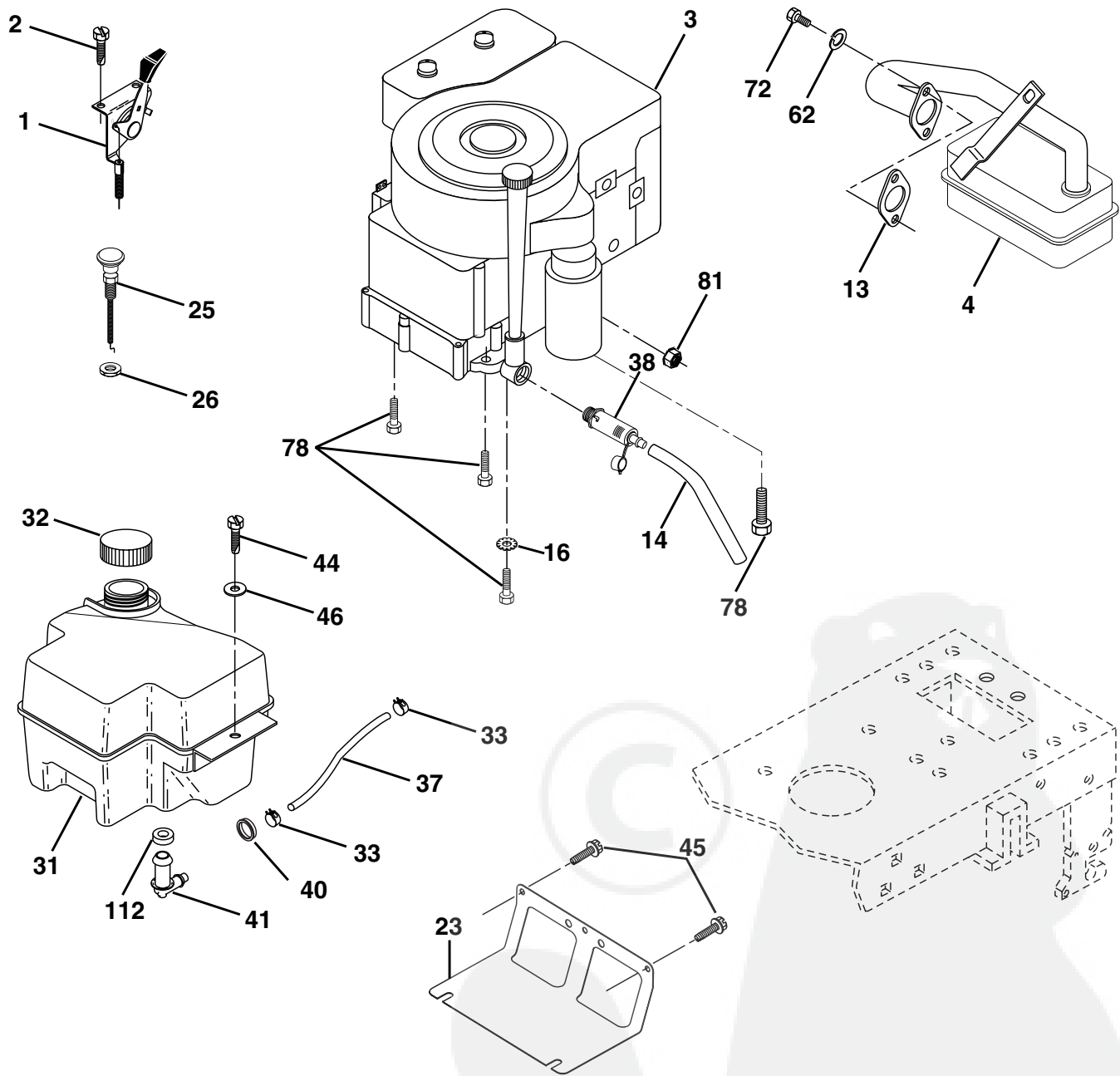


KEY NO.	PART NO.	DESCRIPTION
1	532 05 91-92	Cap Value Tire
2	532 06 51-39	Stem Value
3	532 10 62-22	Tire F Ts 15 X 6 0 - 6 Service
4	532 05 99-04	Tube InnerFront #35060
5	532 14 14-46	Rim Asm 6"front Service
6	532 12 49-57	Fitting Grease
7	532 12 49-59	Bearing Flange
8	532 14 14-47	Rim Asm 8"rear Service
9	532 13 84-68	Tire R Ts 20 x 8-8 Service
10	532 12 49-26	Tube Rear 9 5 X 8 Service
11	532 17 50-39	Cap Axle Blk 1 50 X 1 00
--	532 14 43-34	Sealant, Tire (10 oz. tube)

NOTE: All component dimensions given in U.S. inches
1 inch = 25.4 mm

REPAIR PARTS

TRACTOR- -MODEL NO. WZ15542RDHD, PRODUCT NO. 954 56 66-07
ENGINE



OPTIONAL EQUIPMENT
Spark Arrester

REPAIR PARTS

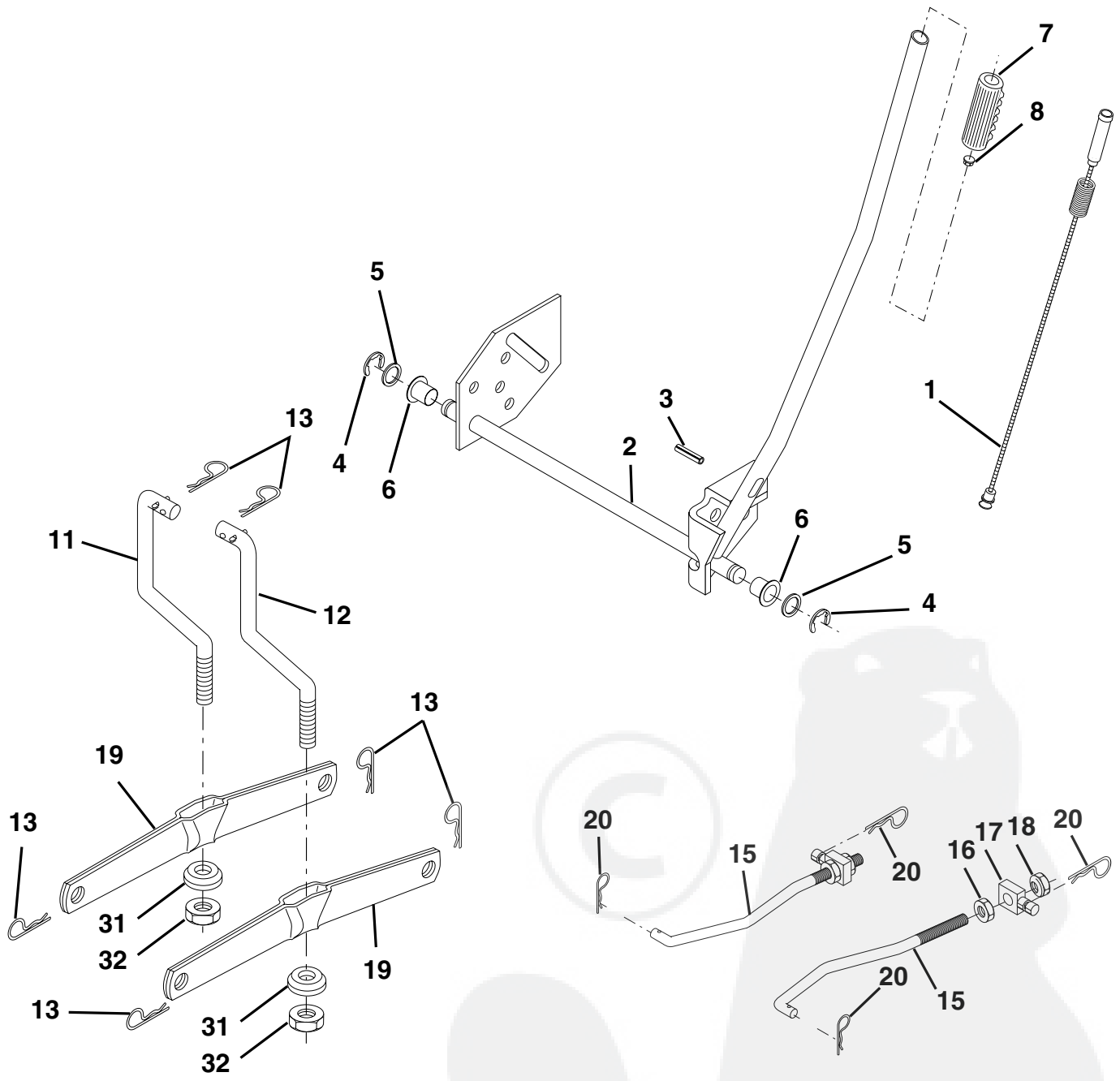
TRACTOR- -MODEL NO. WZ15542RDHD, PRODUCT NO. 954 56 66-07
ENGINE

KEY NO.	PART NO.	DESCRIPTION
1	532 17 05-51	Control Throt Flag
2	817 72 04-08	Screw Hex Thd Cut 1/4-20x1/2
3	-----	Engine B&S Model 28U707 (Order Parts from Engine Manufacturer)
4	532 13 73-52	Muffler Exhaust
13	532 16 52-91	Gasket Muffler
14	532 14 84-56	Tube Drain Oil Easy
16	811 05 06-00	Washer Lock Ext Tooth 3/8
23	532 16 98-37	Shield BRN/DBR Guard
25	532 18 09-45	Control Choke
26	873 92 06-00	Nut Keps 3/8-24 Unf
29	532 13 71-80	Arrestor Spark
31	532 18 06-45	Tank Fuel Front 2.00 Gal.
32	532 14 05-27	Cap Fuel Asm Top Vent
33	532 12 34-87	Clamp Hose Blk
37	532 13 70-40	Line Fuel
38	532 14 83-15	Plug Drain Oil Easy
40	532 12 40-28	Bushing Snap
41	532 13 92-77	Stem Tank Fuel
44	817 67 04-12	Screw Hexwsh Thdrol 1/4-20 x 3/4
45	817 00 06-12	Screw 3/8-16 x 3/4
46	819 09 14-16	Washer 9/32 X 7/8 X 16ga
62	810 04 05-00	Washer Lock Hvy HLCL Spr 5/16
72	871 07 05-12	Screw Hex HD Cap 5/16-18 x 3/4
78	817 06 06-20	Screw 3/8-16 x 1-1/4
81	873 51 04-00	Nut Keps 1/4-20 UNC
112	532 12 49-52	Bushing

NOTE: All component dimensions given in U.S. inches
1 inch = 25.4 mm

REPAIR PARTS

TRACTOR- -MODEL NO. WZ15542RDHD, PRODUCT NO. 954 56 66-07
MOWER LIFT



REPAIR PARTS

TRACTOR- -MODEL NO. WZ15542RDHD, PRODUCT NO. 954 56 66-07
MOWER LIFT

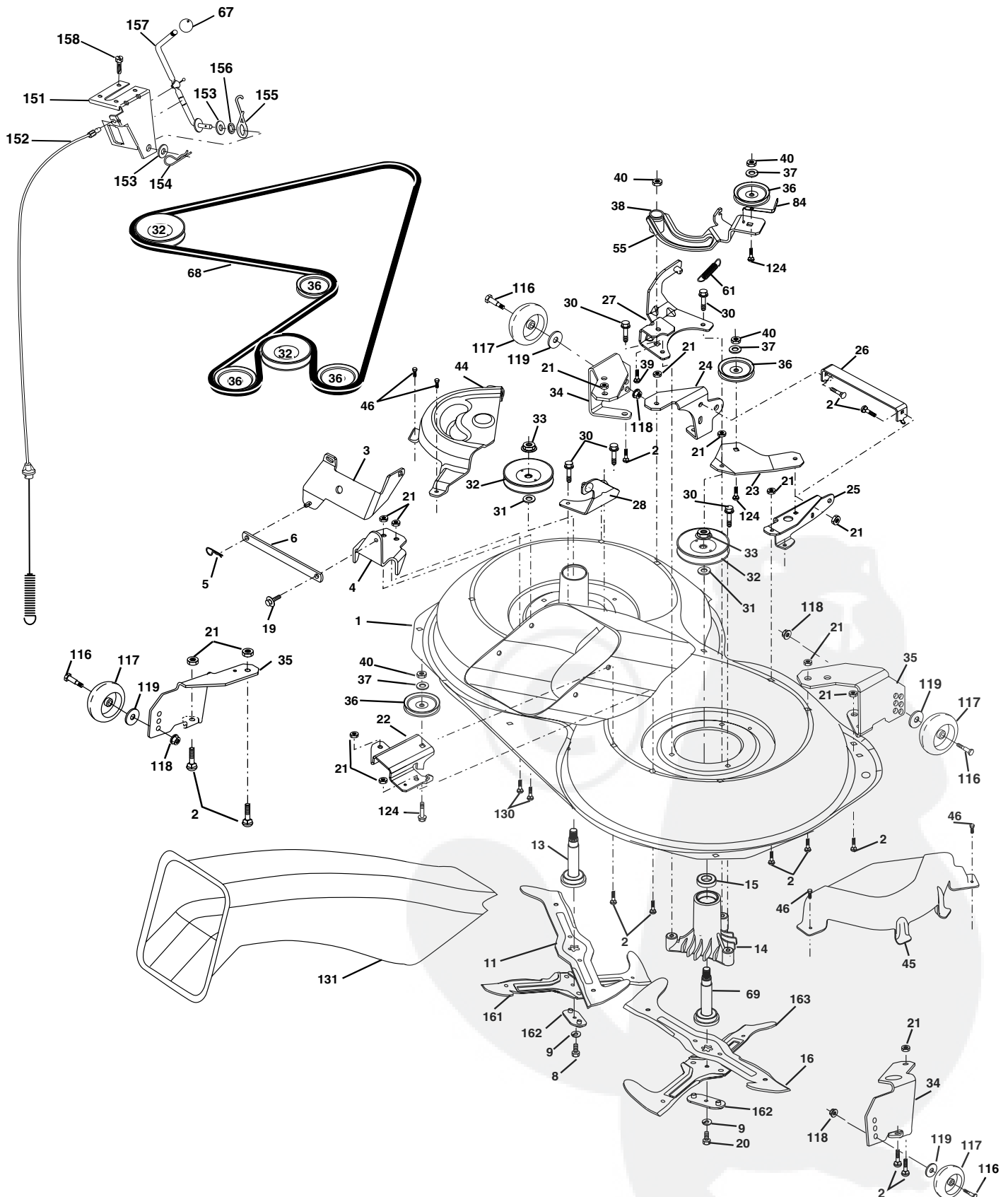
KEY NO.	PART NO.	DESCRIPTION
1	532 15 94-60	Washer Asm Inner Spring W/Plunger
2	532 15 94-71	Shaft Asm. Lift
3	532 10 57-67	Pin Groove
4	812 00 00-02	E Ring #5133-62
5	819 21 16-21	Washer 21/32 x 1 x 21 Ga.
6	532 12 01-83	Bearing Nylon
7	532 10 94-13	Grip Handle Bicycle
8	532 12 45-26	Button Plunger Black
11	532 16 58-29	Link Asm Lift L.H.
12	532 16 58-31	Link Asm Lift R.H.
13	532 12 46-70	Retainer Spring
15	532 17 32-88	Link Front
16	873 35 08-00	Nut Jam Hex 1/2-13 Unc
17	532 17 56-89	Trunnion
18	873 80 08-00	Nut Lock w/Wsh 1/2-13 Unc
19	532 13 98-68	Arm Suspension Mower
20	532 16 35-52	Retainer Spring
31	532 16 98-65	Bearing, Pvt. Lift
32	873 54 06-00	Nut Crownlock 3/8-24

NOTE: All component dimensions given in U.S. inches
1 inch = 25.4 mm



REPAIR PARTS

TRACTOR- -MODEL NO. WZ15542RDHD, PRODUCT NO. 954 56 66-07
MOWER



REPAIR PARTS

TRACTOR- -MODEL NO. WZ15542RDHD, PRODUCT NO. 954 56 66-07
MOWER

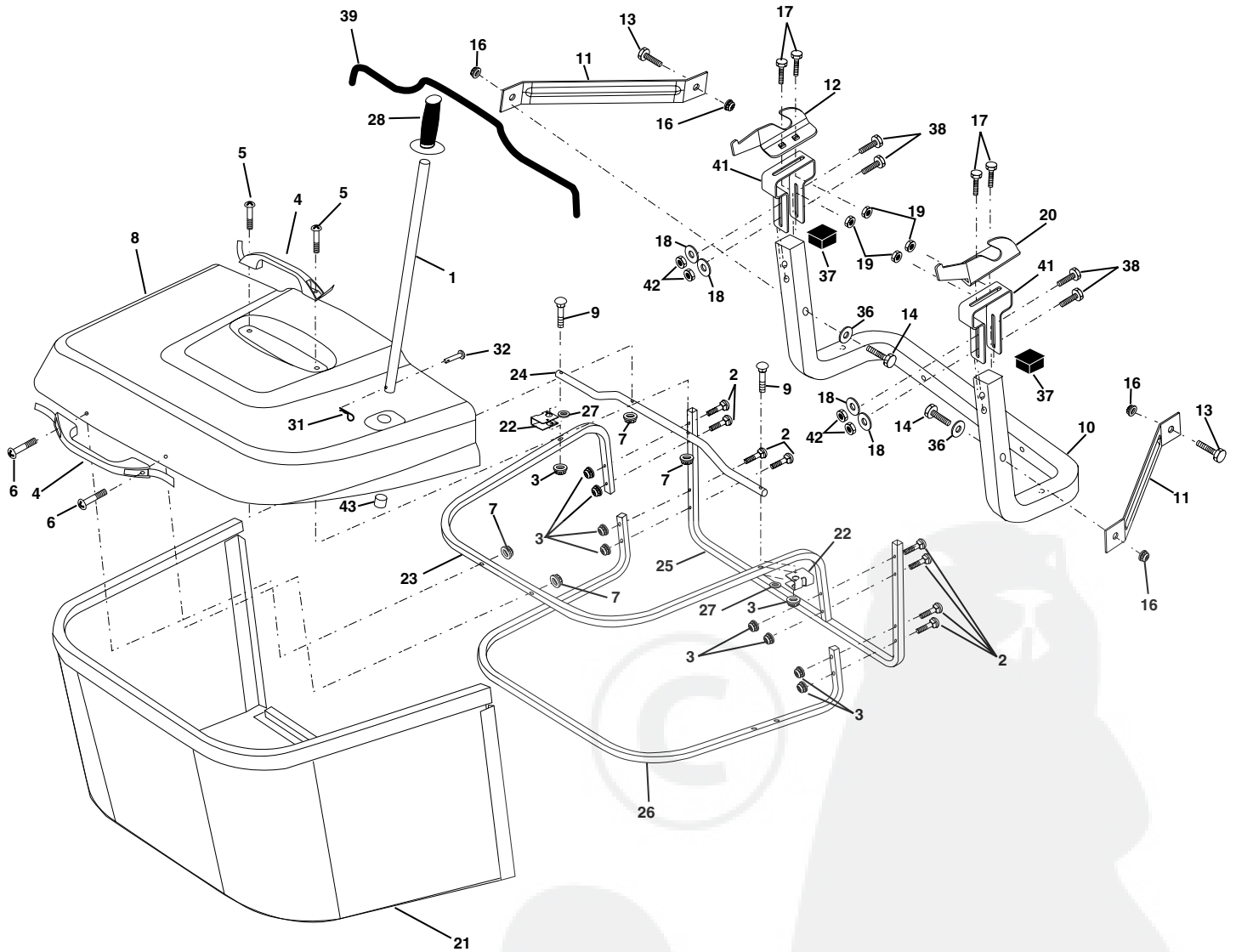
KEY NO.	PART NO.	DESCRIPTION
1	532 1691-60	Housing Asm. Mower
2	872 1405-06	Bolt Rdhd Sqnk 5/16-18 Unc x 3/4
3	532 1655-69	Bracket Asm. S-Bar Chass
4	532 1691-67	Bracket Bar Sway Deck
5	532 1246-70	Retainer Spring
6	532 1655-57	Bar Sway
8	532 1817-13	Bolt 3/8-24 x 1.25 Gr8 Patched
9	810 0306-00	Washer Lock Hvy 3/8 Unplated
11	532 1805-83	Blade 3-1 Lh
13	532 1376-45	Shaft Asm. W/Lower Bearing
14	532 1287-74	Housing Mandrel Vented (Machd)
15	532 1104-85	Bearing Ball Mandrel
16	532 1805-84	Blade 3-1 Rh
17	872 1406-10	Bolt Carriage 3/8-16 x 1-1/4
19	532 1328-27	Bolt Shoulder 5/16-18 Thd Form
20	532 1817-12	Bolt 3/8-24 x 1.25 Gr8 Ptch Lhthd
21	873 6805-00	Nut Crown Lock 5/16-18
22	532 1691-65	Bracket Idler RR
23	532 1691-66	Bracket Idler RF
24	532 1691-70	Bracket Suspension LF
25	532 1691-71	Bracket Suspension RF
26	532 1652-37	Brace Support Susp Frt CRD
27	532 1691-72	Bracket Asm. Susp RR
28	532 1691-68	Bracket Asm. Susp LR
30	532 1739-84	Screw Thd Rolling
31	532 1299-63	Washer Spacer Mower Vented
32	532 1757-07	Mandrel Pulleys
33	532 1783-42	Nut Flg Top Lock
34	532 1795-09	Bracket Gauge Wheel Lf
35	532 1762-92	Bracket Gauge Wheel Rf
36	532 1467-63	Pulley Idler V-Groove Dim 4.25
37	819 1313-16	Washer 11/32 x 13/16 x 16 Ga
38	532 1698-51	Spacer Hub Arm Idler 107 CRD
39	872 1106-22	Bolt Rdhd 3/8-16 Unc x 2-3/4 Gr. 5
40	873 6806-00	Nut Crownlock 3/8-16 Unc

KEY NO.	PART NO.	DESCRIPTION
41	873 9006-00	Nut Lock Flg. 3/8-16 Unc
44	532 1755-38	Cover Mandrel Lh
45	532 1755-39	Cover Mandrel Rh
46	532 1377-29	Screw Thd Roll 1/4-20 x 5/8
55	532 1698-49	Arm Idler 107 CRD
61	532 1751-59	Spring Tension Belt
67	532 1069-32	Knob Rd 3/8-16 Plstc Thds Blk
68	532 1691-78	Hex-Belt Mower
69	532 1654-82	Shaft Asm W/Lwr Brg Rh Thd CRD
84	532 1560-85	Keeper Belt Idler
116	532 1376-44	Bolt Shoulder
117	532 1339-57	Wheel Gage Donut Wide
118	873 9306-00	Nut Centerlock 3/8-16 Unc
119	819 1214-14	Washer 3/8 x 7/8 x 14 Ga.
124	872 1106-12	Bolt Carr Sh 3/8-16 x 1-1/2 Gr5
130	872 1105-06	Bolt Rdhdsqnk 5/16-18 Unc x 3/4
131	532 1656-61	Chute Bagger CRD 92cm
151	532 1696-70	Bracket Clutch Cable
152	532 1760-74	Cable Clutch CRD Service
153	532 1696-74	Washer Flat 3/8" Type B
154	532 1696-75	Spring Retainer
155	532 1696-71	Spring Retainer Lvr Cltch Cab
156	532 1696-72	Spacer Clutch Cable
157	532 1696-69	Rod Clutch Cable 3/8"
158	817 7204-08	Screw Hex Thdcut 1/4-20 x 1/2
160	532 1751-60	Guide Belt CRD
161	532 1804-24	Blade Cross LH
162	532 1808-78	Adapter Weldment Blade
163	532 1804-25	Blade Cross RH
-	532 1818-57	Mandrel Asm Service
-	532 1818-58	Mandrel Asm CRD Lh Threads SVC
-	532 1817-70	Deck Mower Complete

NOTE: All component dimensions given in U.S. inches
1 inch = 25.4 mm

REPAIR PARTS

TRACTOR- -MODEL NO. WZ15542RDHD, PRODUCT NO. 954 56 66-07
BAGGER



REPAIR PARTS

TRACTOR- -MODEL NO. WZ15542RDHD, PRODUCT NO. 954 56 66-07
BAGGER

KEY NO.	PART NO.	DESCRIPTION
1	532 16 52-49	Tube Handle Bagger CRD
2	872 14 04-16	Bolt Carriage 1/4-20 X 2.0 Gr.5
3	532 12 39-76	Nut Lock 1/4 Lge Flg Gr. 5 Zinc
4	532 16 99-16	Handle Bagger w/Lvrs Gr. 5 Zinc
5	874 98 10-24	Screw Pan Head #10-24 X 1.50 Blk
6	874 98 10-32	Screw Pan Hd
7	873 40 10-00	Nut Wiz Lock Hex Serr/Hd #10-24
8	532 16 99-63	Cover Bagger
9	872 14 04-18	Bolt Carriage 1/4-20 x 2.25d x Gr.5
10	532 18 12-82	Tube Support Bagger CRD
11	532 16 57-19	Bracket Support Upper Bag CRD
12	532 16 96-85	Bracket Horiz. Adj Bagger
13	872 11 06-06	Bolt Rdhd Sht Sqnk 3/8-16 X 3/4
14	872 14 06-20	Bolt Hex 3/8-16 X 2-1/2 Gr. 5
16	873 90 06-00	Nut Lock Flg 3/8-16 Unc
17	872 14 05-06	Bolt Rdhd Sht Sqnk 5/16-18Unc X 3/4
18	819 11 12-16	Washer 11/32 x 3/4 x 16
19	873 90 05-00	Nut Lock Hex Flange 5/16-18
20	532 16 96-84	Bracket Horiz Adj Bagger
21	532 18 08-80	Bag Asm CRD
22	532 16 57-81	Bracket Side Bagger CRD
23	532 16 57-82	Tube Upper Bagger CRD
24	532 16 57-83	Tube Pivot Bagger CRD
25	532 18 01-24	Tube Front Bagger CRD
26	532 16 57-85	Tube Lower Bagger CRD
27	532 16 96-92	Bushing Snap Bagger CRD
28	532 16 57-87	Grip Handle Black
31	532 12 47-88	Retainer Spring 1" Zinc/Cad
32	532 12 68-75	Rivet Rd Hd Drilled 3/8 Dia
36	819 13 20-16	Washer 13/32 x 1-1/4 x 16 Ga.
37	532 17 54-01	Plug Support Bagger CRD
38	872 01 05-20	Bolt 5/16-18 x 2-1/2
39	532 18 09-85	Seal
41	532 16 96-83	Bracket Vert Adj Bagger CRD
42	873 80 05-00	Nut Lock Hex W/Ins 5/16-18 UNC
43	532 17 40-83	Plug Tubing End

NOTE: All component dimensions given in U.S. inches
1 inch = 25.4 mm

LIMITED WARRANTY

The Manufacturer warrants to the original consumer purchaser that this product as manufactured is free from defects in materials and workmanship. For a period of one (1) year from date of purchase by the original consumer purchaser, we will repair or replace, at our option, without charge for parts or labor incurred in replacing parts, any part which we find to be defective due to materials or workmanship. This Warranty is subject to the following limitations and exclusions.

1. This warranty does not apply to the engine. Please contact your nearest dealer where they will send the machine to the engine manufacturer.
2. Transportation charges for the movement of any power equipment unit or attachment are the responsibility of the purchaser. Transportation charges for any parts submitted for replacement under this warranty must be paid by the purchaser unless such return is requested by your dealer.
3. **Battery Warranty:** On products equipped with a Battery, we will replace, without charge to you, any battery which we find to be defective in manufacture, during the first ninety (90) days of ownership. After ninety (90) days, we will exchange the Battery, charging you 1/12 of the price of a new Battery for each full month from the date of the original sale. Battery must be maintained in accordance with the instructions furnished.
4. The Warranty period for any products used for rental or commercial purposes is limited to 90 days from the date of original purchase.
5. This Warranty applies only to products which have been properly assembled, adjusted, operated, and maintained in accordance with the instructions furnished. This Warranty does not apply to any product which has been subjected to alteration, misuse, abuse, improper assembly or installation, delivery damage, or to normal wear of the product.
6. **Exclusions:** Excluded from this Warranty are belts, blades, blade adapters, normal wear, normal adjustments, standard hardware and normal maintenance.
7. In case of any problem within the boundaries of this warranty, contact the nearest department store, indicate the model number, serial number and the date of purchase of your machine. This warranty does not apply to accidental damages. All implicit warranties are limited to the same time frames. Or contact:

E.M. Services
54 Rue Lambrechts
92400 Courbevoie
France
Telephone: (1) 46678078
Fax: (1) 46678095

THIS WARRANTY DOES NOT APPLY TO INCIDENTAL OR CONSEQUENTIAL DAMAGES. ANY IMPLIED WARRANTIES ARE LIMITED TO THE SAME TIME PERIODS STATED HEREIN.

SERVICE NOTES





WIZARD