

ILLUSTRATED PARTS BREAKDOWN

PARTNER

12 HP, 42" MOWER DECK

LAWN TRACTOR

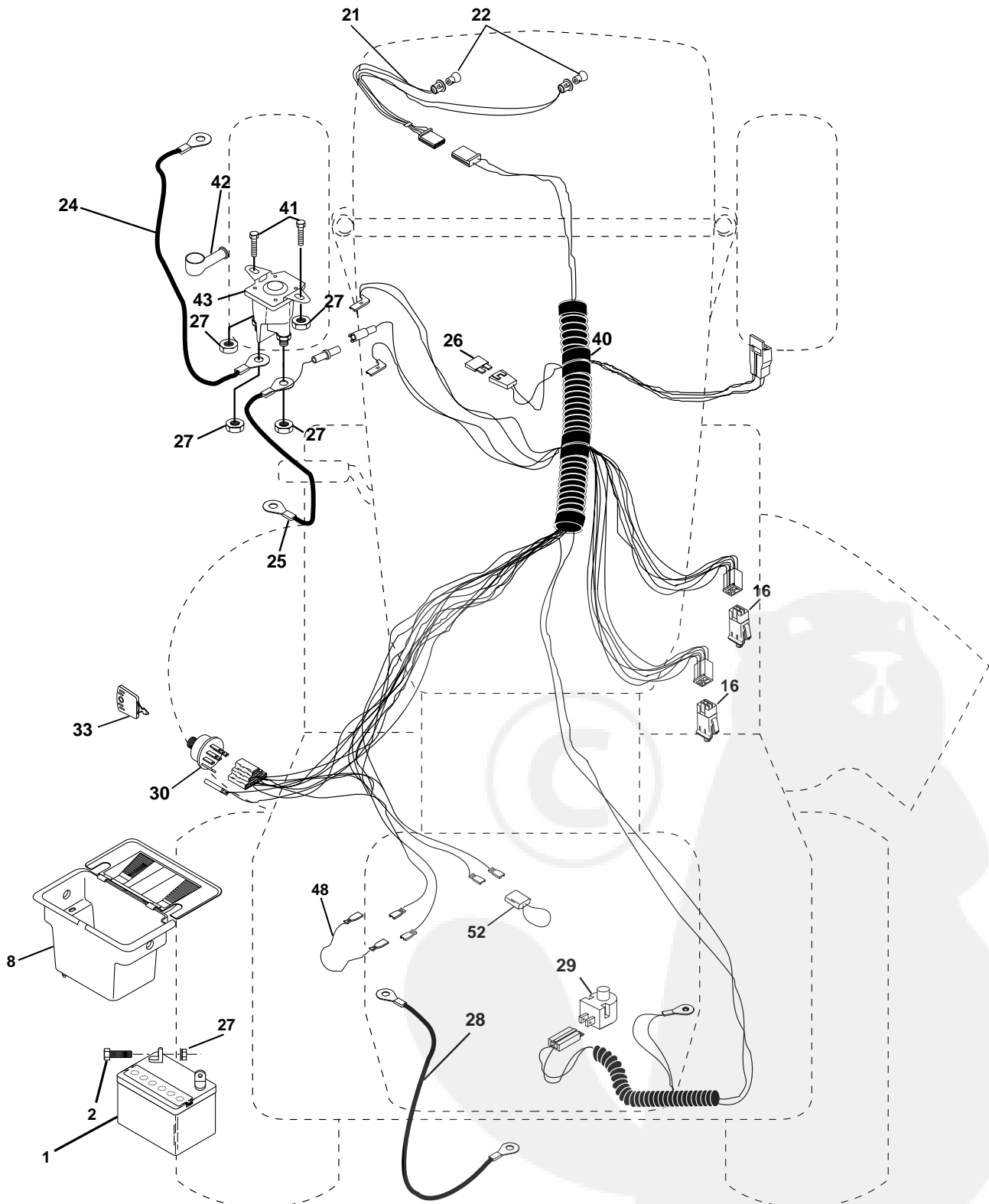
MODEL NUMBER 12-107H (P12H105G)

954 12 00-31



REPAIR PARTS

TRACTOR- -MODEL NO. 12-107H (P12H105G), PRODUCT NO. 954 12 00-31
ELECTRICAL

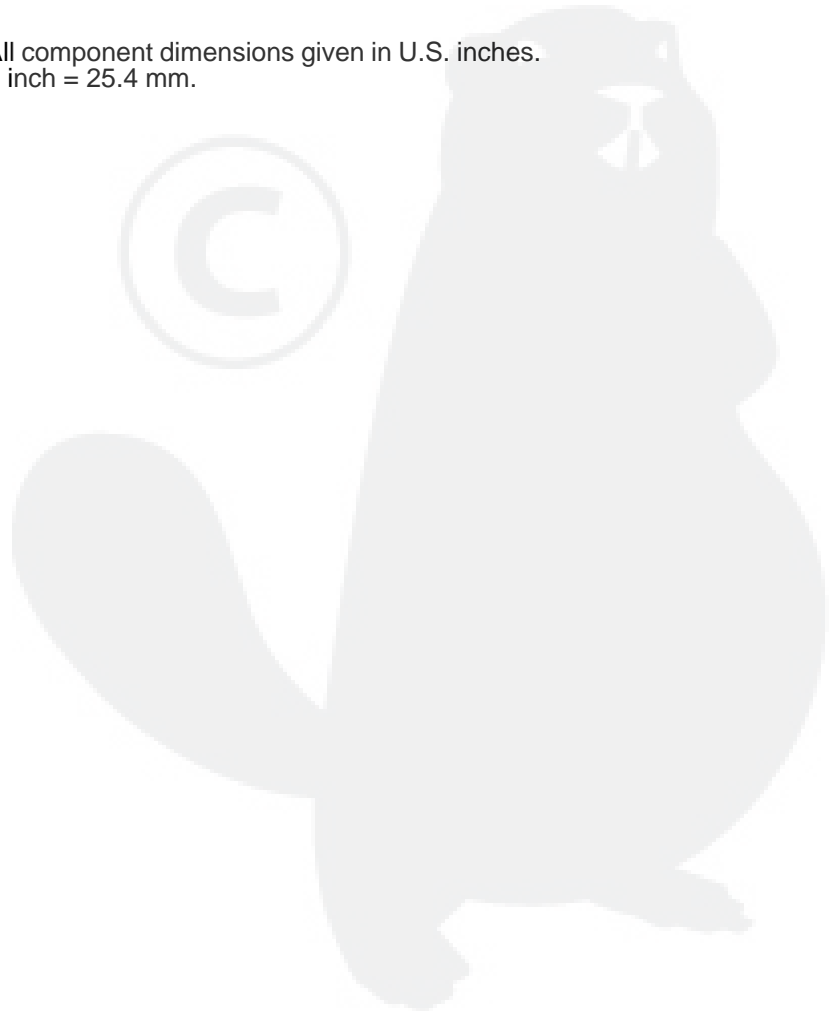


REPAIR PARTS

TRACTOR- -MODEL NO. 12-107H (P12H105G), PRODUCT NO. 954 12 00-31
ELECTRICAL

| KEY NO. | PART NO. | DESCRIPTION |
|---------|------------------|---------------------------------|
| 1 | 532144925 | Battery 12 Volt 25 AMP |
| 2 | 874760412 | Bolt Hex Hd 1/4-20unc X 3/4 |
| 8 | 532156417 | Case Battery Hng Mech W/lid |
| 16 | 532153664 | Switch Interlock Push-In |
| 21 | 532166181 | Harness Asm Light W/4152j |
| 22 | 532004152 | Bulb Light #1156 |
| 24 | 532124780 | Cable Battery 6 Ga 11" Red |
| 25 | 532146147 | Cable Battery 6 Ga Red w/16 wir |
| 26 | 532175158 | Fuse |
| 27 | 873510400 | Nut Keps Hex 1/4-20 Unc |
| 28 | 532124773 | Cable Ground 6 Ga 12" black |
| 29 | 532121305 | Switch Plunger Nc Gray |
| 30 | 532175566 | Switch Ign |
| 33 | 532140401 | Key |
| 40 | 532178437 | Harness Ing Cl Am Hm |
| 41 | 871110408 | Bolt Blk Fin Hex 1/4 - 20 x 1/2 |
| 42 | 532131563 | Cover Terminal Red |
| 43 | 532175141 | Solenoid |
| 48 | 532140844 | Adapter Ammeter Rectangular |
| 52 | 532141940 | Protection Wire Loop |

NOTE: All component dimensions given in U.S. inches.
1 inch = 25.4 mm.



REPAIR PARTS

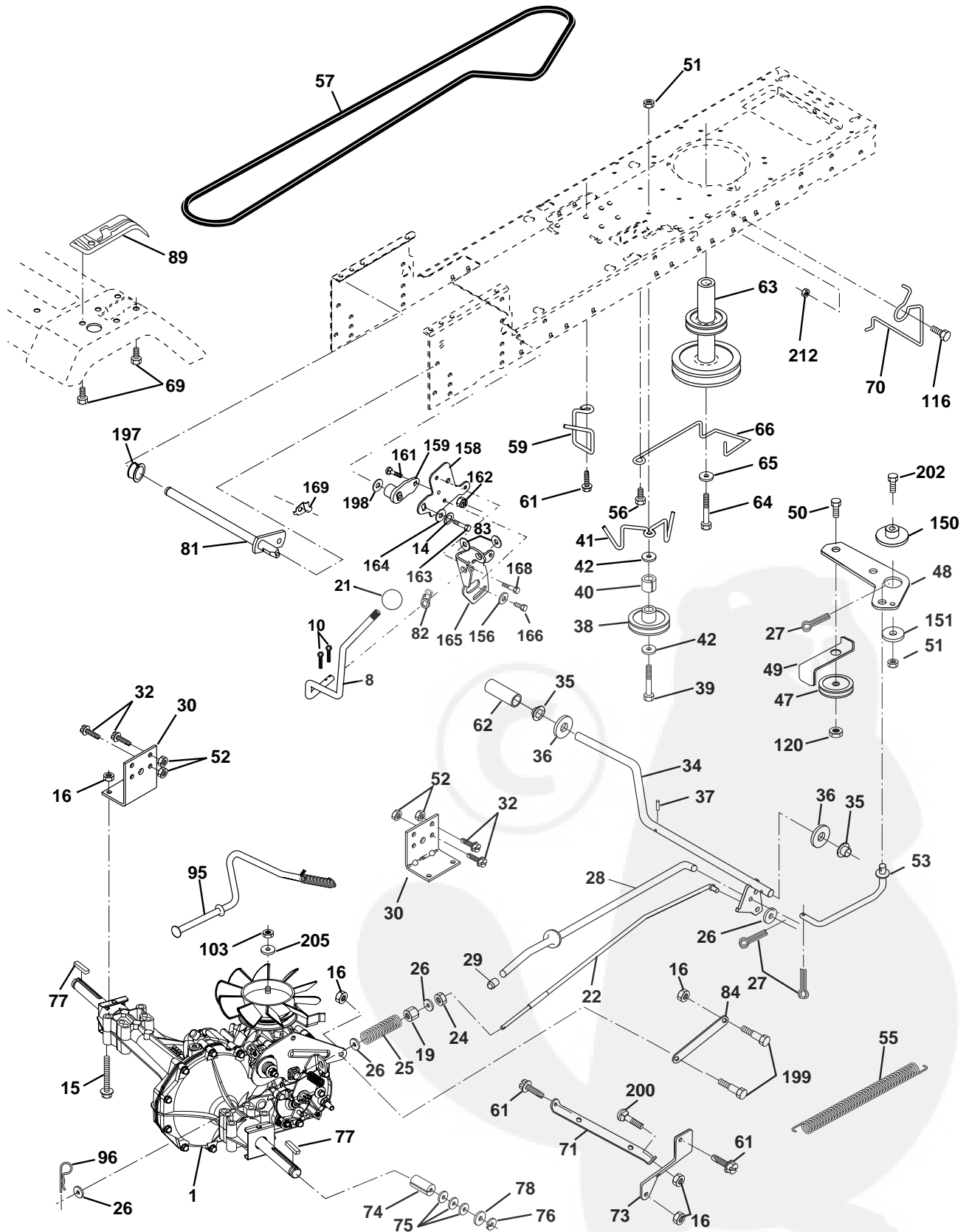
TRACTOR- -MODEL NO. 12-107H (P12H105G), PRODUCT NO. 954 12 00-31
CHASSIS AND ENCLOSURES

| KEY NO. | PART NO. | DESCRIPTION |
|---------|------------------|----------------------------------|
| 1 | 532174619 | Chassis |
| 2 | 532176554 | Drawbar |
| 3 | 817060612 | Screw 3/8-16 x .75 |
| 5 | 532155272 | Bumper Hood Dash |
| 9 | 532168336 | Dash |
| 10 | 872140608 | Bolt Rdhd Sqnk 3/8-16unc X 1 |
| 11 | 532155927 | Panel Dash LH |
| 12 | 532145660 | Clip Tinnerman Grille P/L |
| 13 | 532172107 | Panel Dash RH |
| 14 | 817490608 | Screw Thdrol 3/8-16 x 1/2 |
| 17 | 532159639 | Hood |
| 18 | 532126938 | Bumper Hood |
| 24 | 874780616 | Bolt Fin Hex 3/8-16unc X 1 Gr. 5 |
| 25 | 819131312 | Washer 13/32 X 13/16 X 12 Ga. |
| 26 | 873800600 | Nut Lock Hex w/Ins 3/8-16 Unc |
| 28 | 532143499 | Grille/Lens Asm |
| 29 | 532140273 | Lens Grille Private Label |
| 30 | 532169468 | Fender |
| 31 | 532136619 | Bracket Fender Repl 109873x |
| 33 | 532105476 | Footrest Pnt LH |
| 34 | 532105475 | Footrest Pnt RH |
| 35 | 872110606 | Bolt Rdhd Sht Sqnk 3/8-16 X3/4 |
| 37 | 817490508 | Screw Thdrol 5/16-18 x 1/2 Tyt |
| 38 | 532175710 | Bracket Asm Pivot Mower Rear |
| 51 | 873800400 | Nut Lock w/Insert 1/4-20 |
| 52 | 819091416 | Washer 9/32 x 7/8 x 16 Ga. |
| 53 | 532144697 | Bracket Grille LH |
| 54 | 532161464 | Screw Hex Wshd 8-18 x 7/8 |
| 55 | 532144696 | Bracket Grille RH |
| 57 | 874780412 | Bolt Hex 1/4-20 x 3/4 |
| 58 | 532150127 | Air Duct Private Label |
| 64 | 532154798 | Dash Lower STLT |
| 142 | 532165867 | Plate Reinforcement STLT |
| 145 | 532156524 | Rod Pivot Chassis/Hood |
| 206 | 532170165 | Bolt Shoulder 5/16-18 |
| 207 | 817670508 | Screw Thdrol 5/16-18 x 1/2 |
| 208 | 817670608 | Screw Thdrol 3/8-16 x 1/2 |
| 212 | 532156229 | Insert Lens Reflective |
| -- | 532005479 | Plug Button Blk 359 Dia Choke |

NOTE: All component dimensions given in U.S. inches.
1 inch = 25.4 mm.

REPAIR PARTS

TRACTOR- -MODEL NO. 12-107H (P12H105G), PRODUCT NO. 954 12 00-31
DRIVE



REPAIR PARTS

TRACTOR- -MODEL NO. 12-107H (P12H105G), PRODUCT NO. 954 12 00-31
DRIVE

| KEY NO. | PART NO. | DESCRIPTION | KEY NO. | PART NO. | DESCRIPTION |
|---------|------------------|--|---------|------------------|----------------------------------|
| 1 | ----- | Transmission Hydro 322-0510 (Order parts from transaxle manufacturer) | 65 | 810040700 | Washer |
| 8 | 532165619 | Rod, Shift | 66 | 532154778 | Keeper, Belt Engine F-proof |
| 10 | 876020416 | Pin, Cotter 1/8 x 1 | 69 | 532142432 | Screw |
| 14 | 810040400 | Washer Lock Hvy Helical | 70 | 532134683 | Guide, Belt, Mower Drive RH |
| 15 | 874490544 | Bolt Hex FLGHD 5/16-18 Gr. 5 | 71 | 532169183 | Strap, Torque, Lh |
| 16 | 873800500 | Nut, Lock Hex w/Ins 5/16-18 UNC | 73 | 532169182 | Strap, Torque, Rh |
| 19 | 873800600 | Nut, Lock Hex w/Wsh 3/8-16 UNC | 74 | 532137057 | Spacer, Axle |
| 21 | 532106933 | Knob Rd. 1/2-13 Plstc. Thds. Blk. | 75 | 532121749 | Washer 25/32 x 1-1/4 x 16 Ga. |
| 22 | 532169498 | Rod, Brake | 76 | 812000001 | Ring, E |
| 24 | 873350600 | Nut | 77 | 532123583 | Key, Square |
| 25 | 532106888 | Spring, Rod, Brake | 78 | 532121748 | Washer 25/32 x 1-5/8 x 16 Ga. |
| 26 | 819131316 | Washer 13/32 x 13/16 x 16 Ga. | 81 | 532165596 | Asm, Shaft Cross |
| 27 | 876020412 | Pin, Cotter 1/8 x 3/4 | 82 | 532123782 | Spring, Torsion |
| 28 | 532175765 | Rod, Parking Brake | 83 | 819171216 | Washer 17/32 x 3/4 x 16 Ga. |
| 29 | 532071673 | Cap, Parking Brake | 84 | 532169843 | Link, Transaxle |
| 30 | 532174973 | Bracket, Transmission | 89 | 532169373 | Console, Shift |
| 32 | 874760512 | Bolt Hex 5/16-18 UNC x 3/4 | 95 | 532170201 | Control Asm Bypass Hydro |
| 34 | 532175578 | Shaft, Foot Pedal | 96 | 532124788 | Spring, Retainer 1" |
| 35 | 532120183 | Bearing, Nylon | 103 | 873940800 | Nut Hex Jam Toplock 1/2-20 UNF |
| 36 | 819211616 | Washer | 116 | 872140608 | Bolt 3/8-16 x 1 |
| 37 | 532124963 | Pin, Roll | 120 | 873900600 | Nut Lock 3/8-16 |
| 38 | 532165936 | Pulley, Composite, Flat | 150 | 532175456 | Spacer Retainer |
| 39 | 874760648 | Bolt 3/8-16 x 3 | 151 | 819133210 | Washer 13/32 x 2 x 10 |
| 40 | 532175461 | Spacer, Split | 156 | 532166002 | Washer Srrted 5/16ID x 1.125 |
| 41 | 532175556 | Keeper, Belt, Idler | 158 | 532165589 | Bracket Shift Mount |
| 42 | 819131312 | Washer 13/32 x 13/16 x 12 Ga. | 159 | 532165494 | Hub Tapered Flange Shift Lt |
| 47 | 532127783 | Pulley, Idler, V-Belt | 161 | 872140406 | Bolt Rdhd Sqnk 1/4-20 x 3/4 Gr 5 |
| 48 | 532154407 | Bellcrank Clutch Grnd Drustl | 162 | 873680400 | Nut Crownlock 1/4-20 Unc |
| 49 | 532123205 | Retainer, Belt | 163 | 874780416 | Bolt Hex Fin 1/4-20 Unc x 1 Gr 5 |
| 50 | 874760624 | Bolt | 164 | 819091010 | Washer 5/8 x .281 x 10 Ga. |
| 51 | 873680600 | Nut | 165 | 532165623 | Bracket Pivot Lever |
| 52 | 873680500 | Nut Crownlock 5/16-28 | 166 | 532166880 | Screw 5/16-18 x 5/8 |
| 53 | 532105710 | Link, Clutch | 168 | 532165492 | Bolt Shoulder 5/16-18 x .561 |
| 55 | 532105709 | Spring, Return, Clutch | 169 | 532165580 | Plate Fastening Lt |
| 56 | 817060616 | Vis 3/8-16 x 1 | 197 | 532169613 | Nyliner Snap-In |
| 57 | 532140294 | V-Belt, Drive | 198 | 532169593 | Washer Nyliner |
| 59 | 532169691 | Keeper, Belt, Center | 199 | 532169612 | Bolt Shoulder 5/16-18 UNC |
| 61 | 817060612 | Screw 3/8-16 x .75 | 200 | 872140508 | Bolt RDHD SQNK 5/16-18 UNC x 1 |
| 62 | 532124872 | Cover, Pedal | 202 | 872110614 | Bolt Carr Sh 3/8-16 x 1-3/4 Gr. |
| 63 | 532175410 | Pulley, Engine | 205 | 819171616 | Washer 17/32 x 1 x 16 Ga. |
| 64 | 871170764 | Bolt Hex 7/16 x 4 Gr. 5 | 212 | 532145212 | Nut Hex Flange Lock |

NOTE: All component dimensions given in U.S. inches
1 inch = 25.4 mm

REPAIR PARTS

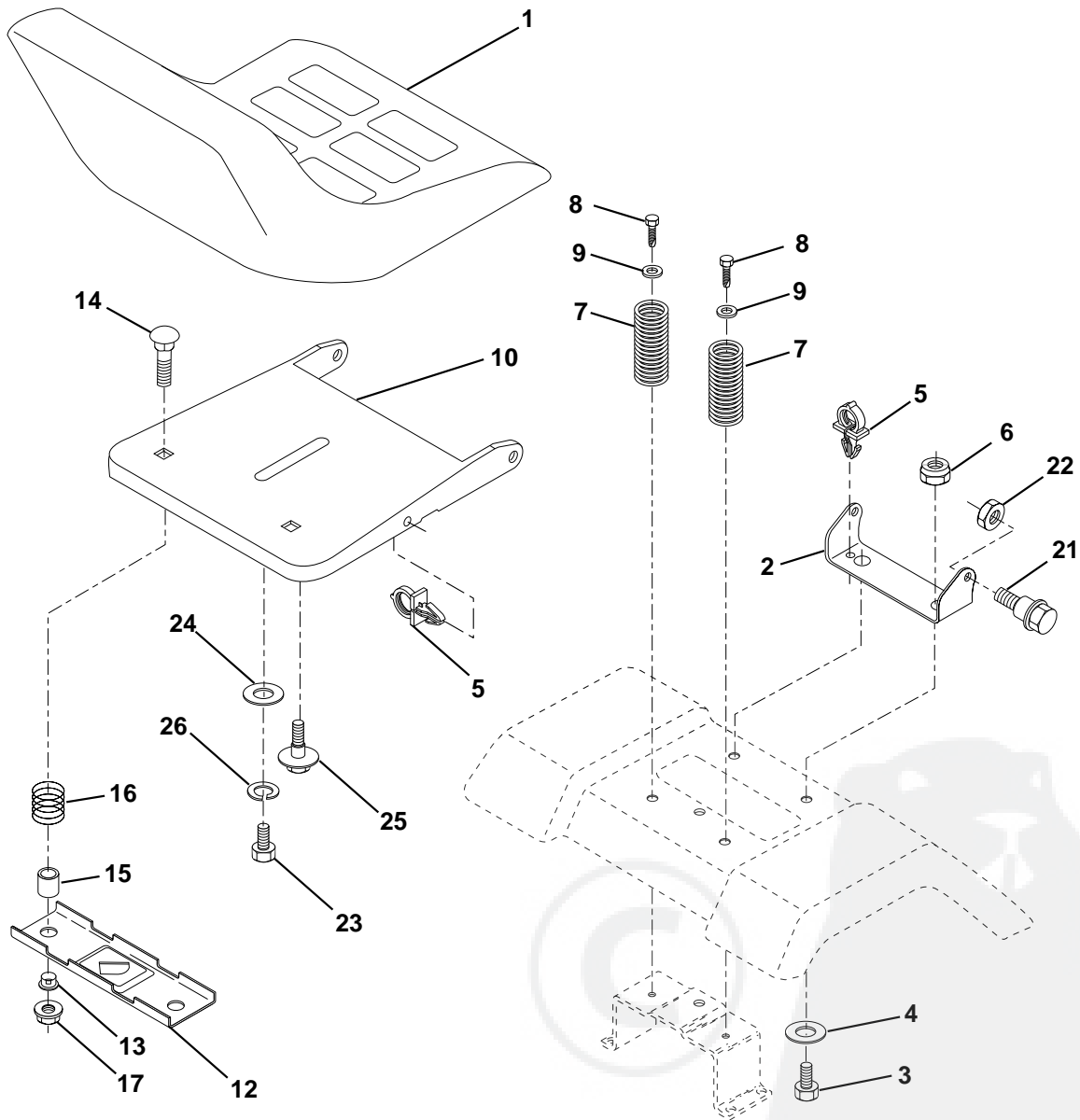
TRACTOR- -MODEL NO. 12-107H (P12H105G), PRODUCT NO. 954 12 00-31
STEERING ASSEMBLY

| KEY NO. | PART NO. | DESCRIPTION |
|---------|------------------|----------------------------------|
| 1 | 532139768 | Wheel Steering Opp. Sears Blk |
| 2 | 532154427 | Axle Asm Fr |
| 3 | 532169840 | Spindle Asm LH |
| 4 | 532169839 | Spindle Asm RH |
| 5 | 532124931 | Bearing Race Thrust Harden |
| 6 | 532121748 | Washer 25/32 x 1-5/8 x 16 Ga |
| 7 | 819272016 | Washer 27/32 x 1-1/4 x 16 Ga |
| 8 | 812000029 | Ring Klip #t5304-75 |
| 9 | 532124937 | Bearing Col Strg Blk |
| 10 | 532175121 | Link Drag |
| 11 | 810040600 | Washer Lock Hvy Hlcl Spr 3/8 |
| 13 | 532136518 | Spacer Brace Axle |
| 15 | 532145212 | Nut Hexflange Lock |
| 17 | 532177876 | Shaft Asm Strg |
| 26 | 532126847 | Bushing Link Drag Blk LR |
| 28 | 819131416 | Washer 13/32 x 7/8 x 16 Ga |
| 29 | 817060612 | Screw 3/8-16 x .75 |
| 30 | 876020412 | Pin Cotter 1/8 x 3/4 Cad |
| 32 | 532130465 | Rod Tie Wire Form 19 75 Mech |
| 36 | 532155099 | Bushing Strg Nat .623/.618ld |
| 37 | 532152927 | Screw TT #10-32 x 5 x 3/8 Flange |
| 38 | 532140175 | Cap Wheel Steer P/L |
| 39 | 819133812 | Washer 13/32 x 2-3/8 x 12 Ga |
| 40 | 532124701 | Nut Lock Center 3/8-24unf |
| 41 | 532100711 | Adaptor Wheel Strg |
| 42 | 532145054 | Boot Shaft Steering |
| 43 | 532121749 | Washer 25/32 X 1 1/4 X 16 Ga |
| 44 | 532153720 | Extension Steering |
| 46 | 532121232 | Cap Spindle Fr Top Blk |
| 47 | 532124836 | Fitting Grease |
| 51 | 873800500 | Nut Lock Hx w/Ins 5/16-18 Unc |
| 54 | 874780520 | Bolt Fin Hex 5/16-18 Unc x 1-1/4 |
| 63 | 874780616 | Bolt Fin Hex 3/8-16 UNC Gr. 5 |
| 65 | 532160367 | Spacer Brace Axle |
| 67 | 872140618 | Bolt RDHD SQ 3/8-16 UNC x 2-1/4 |
| 68 | 532169827 | Brace Axle |
| 71 | 532175146 | Steering Asm. |
| 82 | 532169835 | Bracket Susp. Chassis Front |
| 85 | 532133835 | Fastener Christmas Tree |
| 88 | 532175118 | Bolt Shoulder 7/16-20 |
| 91 | 532175553 | Clip Steering |

NOTE: All component dimensions given in U.S. inches.
1 inch = 25.4 mm.

REPAIR PARTS

TRACTOR- -MODEL NO. 12-107H (P12H105G), PRODUCT NO. 954 12 00-31
SEAT ASSEMBLY



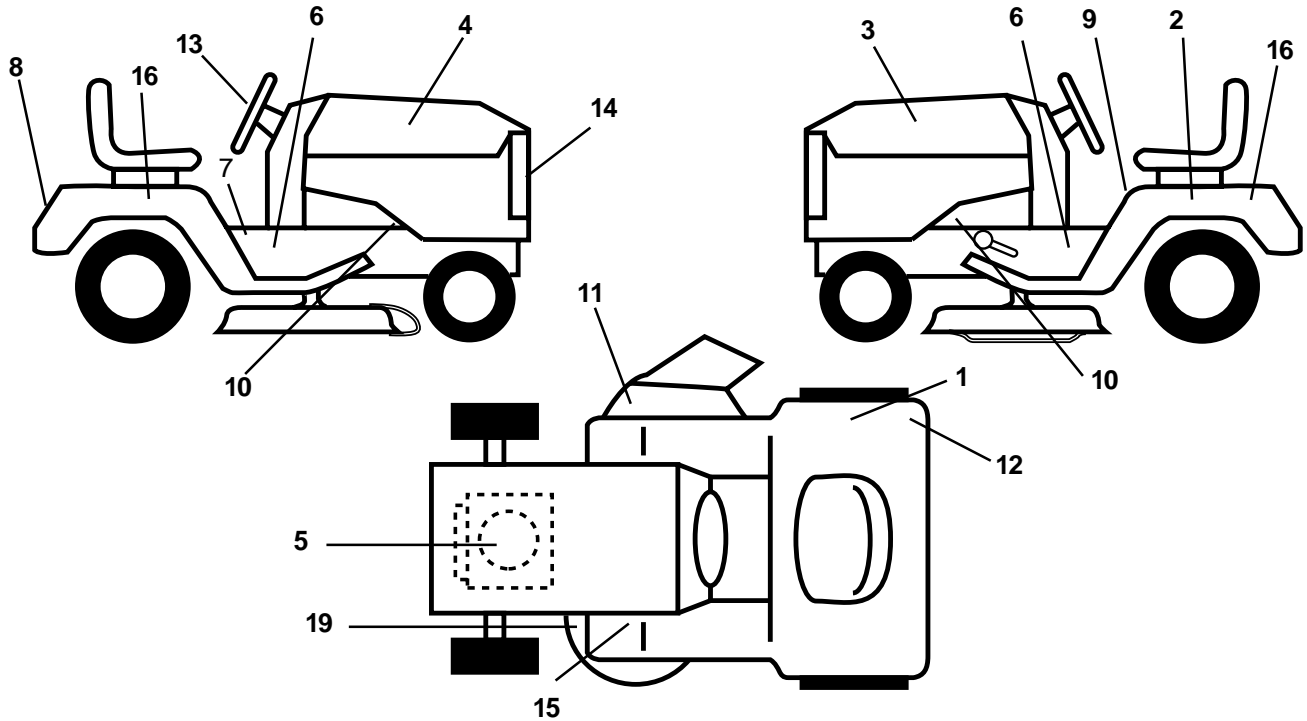
| KEY NO. | PART NO. | DESCRIPTION |
|---------|-----------|--------------------------------|
| 1 | 532140116 | Seat |
| 2 | 532140551 | Bracket Pivot Seat 8 720 |
| 3 | 871110616 | Bolt Fin Hex 3/8-16unc X 1 |
| 4 | 819131610 | Washer 13/32 X 1 X 10 Ga |
| 5 | 532145006 | Clip Push-In |
| 6 | 873800600 | Nut Lock Hex w/Wsh 3/8-16 Unc |
| 7 | 532124181 | Spring Seat Cprsn 2 250 Blk Zi |
| 8 | 817000616 | Screw 3/8-16 X 1.5 |
| 9 | 819131614 | Washer 13/32 X 1 X 14 Ga. |
| 10 | 532174894 | Pan Seat |
| 12 | 532121246 | Bracket Mounting Switch |
| 13 | 532121248 | Bushing Snap Blk Nyl 50 Id |

| KEY NO. | PART NO. | DESCRIPTION |
|---------|-----------|-----------------------------------|
| 14 | 872050412 | Bolt Rdhd Sht Nk 1/4-20x1-1/2 |
| 15 | 532134300 | Spacer Split 28x 96 Yel Zinc |
| 16 | 532121250 | Spring Cprsn 1 27 Blk Pnt |
| 17 | 532123976 | Nut Lock 1/4 Lge Flg Gr 5 Zinc |
| 21 | 532171852 | Bolt Shoulder 5/16-18 Unc -2A |
| 22 | 873800500 | Nut Lock Hex W/Insert 5/16-18 UNC |
| 23 | 871110814 | Bolt Hex Black |
| 24 | 819171912 | Washer 17/32 X 1-3/16 X 12 Ga. |
| 25 | 532127018 | Bolt Shoulder 5/16-18 X 62 |
| 26 | 810040800 | Washer Lock Hvy HLCLSPR 1/2 |

NOTE: All component dimensions given in U.S. inches.
1 inch = 25.4 mm

REPAIR PARTS

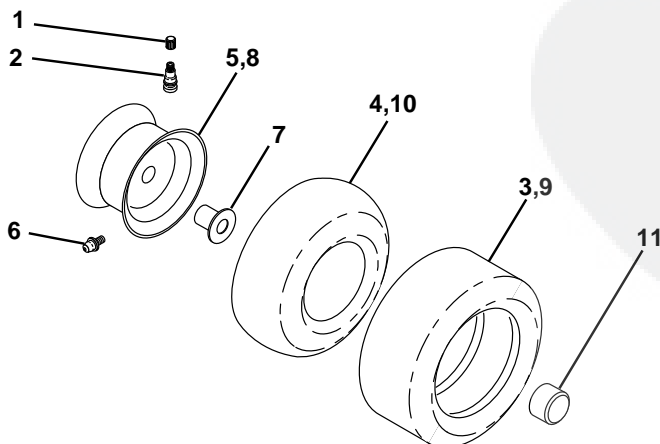
TRACTOR- -MODEL NO. 12-107H (P12H105G), PRODUCT NO. 954 12 00-31
DECALS



| KEY NO. | PART NO. | DESCRIPTION |
|---------|-----------|-------------------------------|
| 1 | 532145437 | Decal Europe Stand CE |
| 2 | 532145005 | Decal Bat Dan/Poi P/L Symbols |
| 3 | 532175957 | Decal Hood LH |
| 4 | 532175956 | Decal Hood RH |
| 5 | 532170832 | Decal Engine |
| 6 | 532137588 | Decal Chas. Turbo Collection |
| 7 | 532140837 | Decal Saddle Brake Parking |
| 8 | 532140987 | Decal Fender Bernard |
| 9 | 532145498 | Decal Read Owners Manual Syms |
| 10 | 532159736 | Decal Chassis Hot Muffler |
| 11 | 532145494 | Decal Mower Cut finger Symbol |

| KEY NO. | PART NO. | DESCRIPTION |
|---------|-----------|---------------------------------|
| 12 | 532126187 | Decal 100 DbA |
| 13 | 532146998 | Decal Strg Wheel Cap |
| 14 | 532140986 | Decal Logo Grille |
| 15 | 532159737 | Decal Brake/Clutch |
| 16 | 532171313 | Decal Fender Automatic |
| 19 | 532160396 | Decal V-Belt Sch |
| -- | 532169210 | Decal By-Pass |
| -- | 532162598 | Decal Drawbar Load Limit |
| -- | 532138311 | Decal Lift Handle (Lift Handle) |
| -- | 532176708 | Manual Operator's Euro |
| -- | 532176709 | Manual Operator's Scan |

WHEELS & TIRES

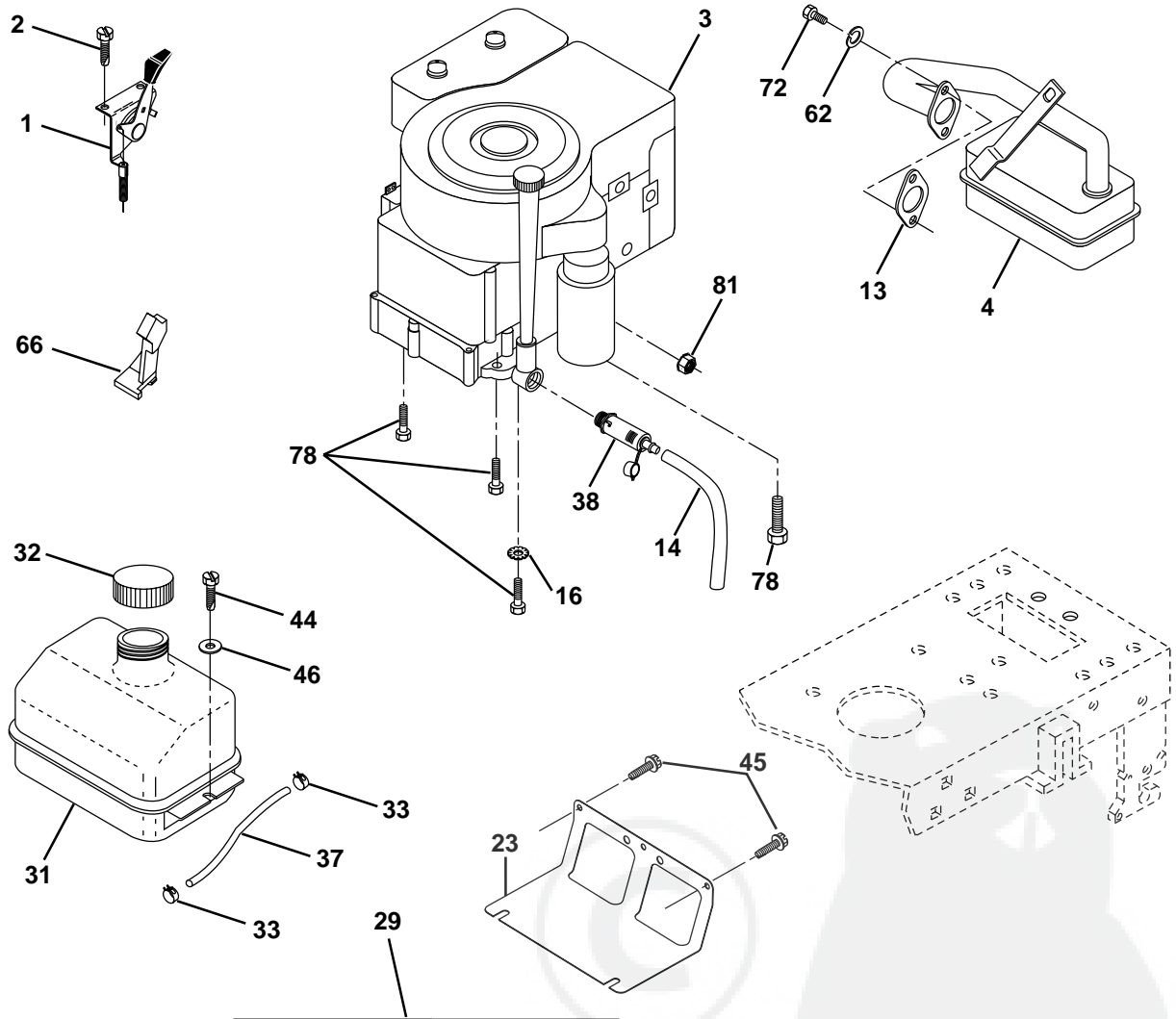


| KEY NO. | PART NO. | DESCRIPTION |
|---------|-----------|-----------------------------------|
| 1 | 532059192 | Cap Valve Tire |
| 2 | 532065139 | Stem Valve |
| 3 | 532106222 | Tire F Ts 15 X 6 0 - 6 Service |
| 4 | 532059904 | Tube Front (Service Item Only) |
| 5 | 532125121 | Rim Asm 6" front Yellow Service |
| 6 | 532124957 | Fitting Grease (Front Wheel Only) |
| 7 | 532124959 | Bearing Flange (Front Wheel Only) |
| 8 | 532125122 | Rim Asm 8" rear Yellow Service |
| 9 | 532106268 | Tire R Ts 18 x 9.5-8 C. Service |
| 10 | 532124926 | Tube Rear (Service Item Only) |
| 11 | 532175039 | Cap Axle Blk 1 50 X 1 00 |

NOTE: All component dimensions given in U.S. inches
1 inch = 25.4 mm

REPAIR PARTS

TRACTOR- -MODEL NO. 12-107H (P12H105G), PRODUCT NO. 954 12 00-31
ENGINE



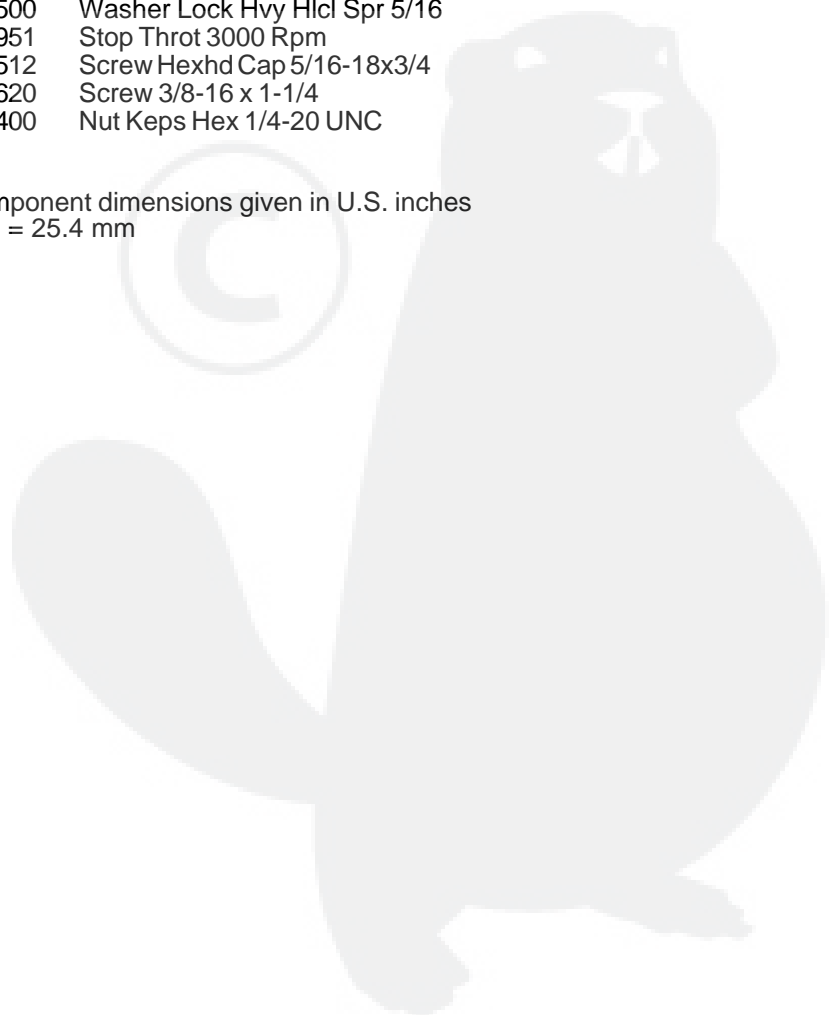
OPTIONAL EQUIPMENT
Spark Arrester

REPAIR PARTS

TRACTOR- -MODEL NO. 12-107H (P12H105G), PRODUCT NO. 954 12 00-31
ENGINE

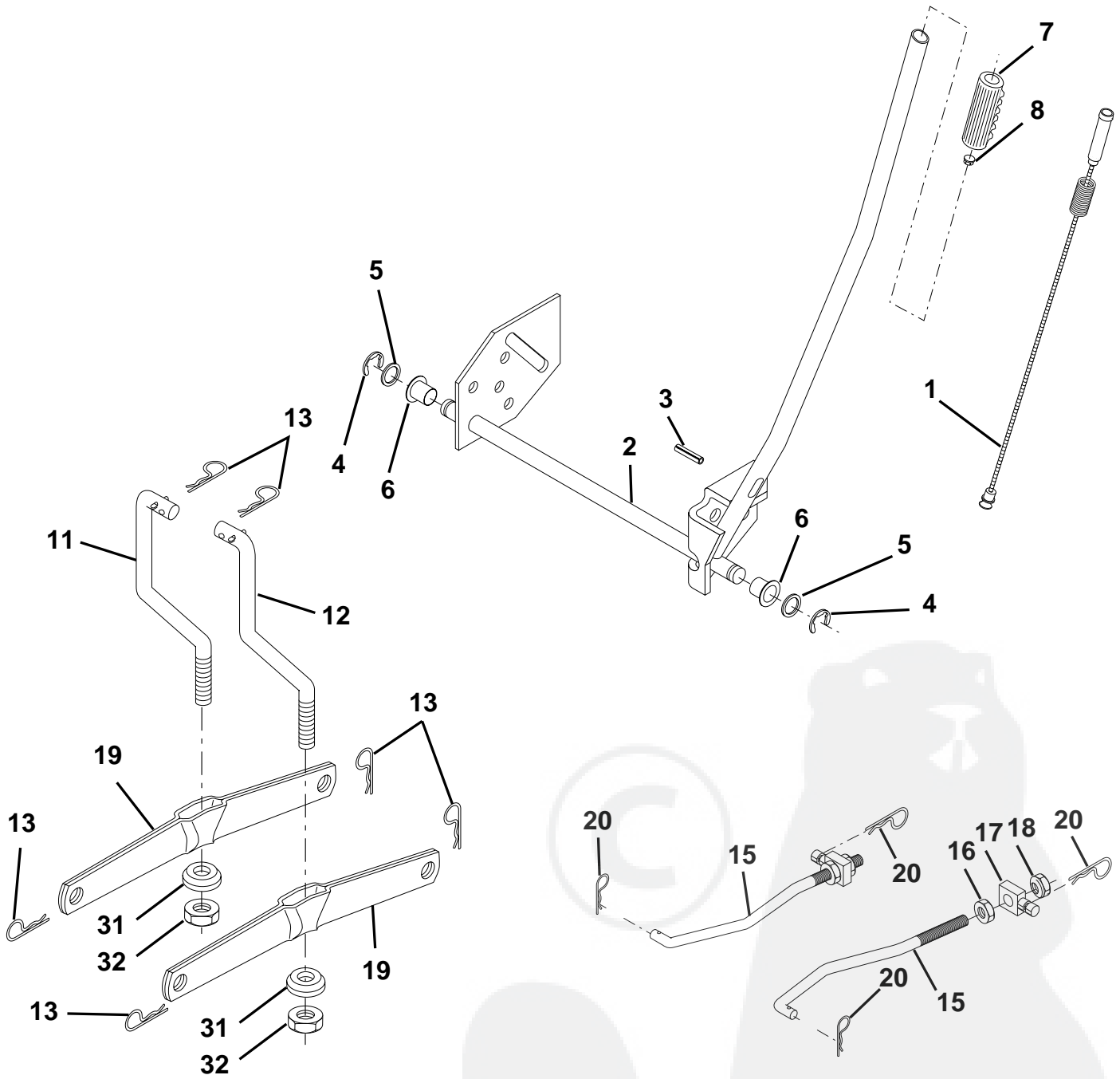
| KEY NO. | PART NO. | DESCRIPTION |
|---------|-----------|---|
| 1 | 532170865 | Control Th/ch Flag Eec |
| 2 | 817720410 | Screw Hex Thd Cut 1/4-20 x 5/8 T |
| 3 | ----- | Engine B&S Model No. 289707 (Order parts from engine manufacturer) |
| 4 | 532137348 | Muffler LT B&S 12/12 5 HP |
| 13 | 532165291 | Gasket Eng |
| 14 | 532148456 | Tube Drain Oil Easy |
| 16 | 811050600 | Washer Lock Ext Tooth 3/8 |
| 23 | 532169837 | Shield Brn/Dbr Guard |
| 29 | 532137180 | Kit Spark Arrecter |
| 31 | 532109202 | Tank Fuel Front 1.25 |
| 32 | 532140527 | Cap Asm Fuel W/sym Vented |
| 33 | 532123487 | Clamp Hose Blk |
| 37 | 532137040 | Line Fuel 20" |
| 38 | 532148315 | Plug Drain Oil Easy |
| 40 | 532124028 | Bushing Snap Nyl Blk Fuel Line |
| 44 | 817670412 | Screw Hexwsh Thdrol 1/4-20 x 3/4 |
| 45 | 817000612 | Screw Hexwsh Thdrol 3/8-16 x 3/4 |
| 46 | 819091416 | Washer 9/32 x 7/8 x 16 Ga. |
| 62 | 810040500 | Washer Lock Hvy Hlcl Spr 5/16 |
| 66 | 532127951 | Stop Throt 3000 Rpm |
| 72 | 871070512 | Screw Hexhd Cap 5/16-18x3/4 |
| 78 | 817060620 | Screw 3/8-16 x 1-1/4 |
| 81 | 873510400 | Nut Keps Hex 1/4-20 UNC |

NOTE: All component dimensions given in U.S. inches
1 inch = 25.4 mm



REPAIR PARTS

TRACTOR- -MODEL NO. 12-107H (P12H105G), PRODUCT NO. 954 12 00-31
MOWER LIFT



REPAIR PARTS

TRACTOR- -MODEL NO. 12-107H (P12H105G), PRODUCT NO. 954 12 00-31
MOWER LIFT

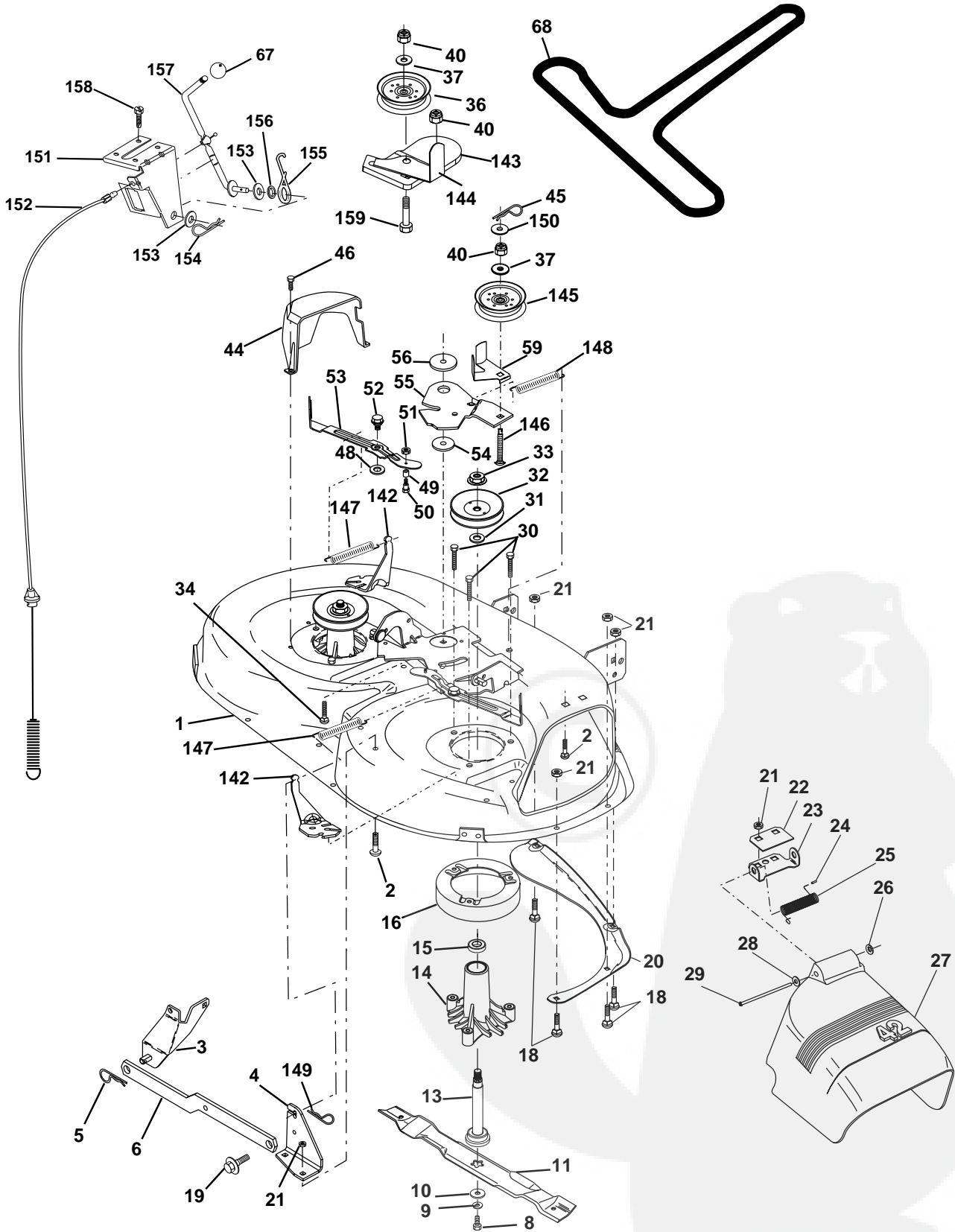
| KEY NO. | PART NO. | DESCRIPTION |
|---------|-----------|-------------------------------|
| 1 | 532159460 | Wire Asm Inner W/Plunger |
| 2 | 532159471 | Shaft Asm Lift |
| 3 | 532105767 | Pin Groove |
| 4 | 812000002 | E Ring #5133-62 |
| 5 | 819211621 | Washer PLTD 21/32 X 1 X 21 ga |
| 6 | 532120183 | Bearing Nylon Blk 629 Id |
| 7 | 532109413 | Grip Handle Bicycle Matte Blk |
| 8 | 532124526 | Button Plunger Black |
| 11 | 532139865 | Link Lift LH |
| 12 | 532139866 | Link Lift RH |
| 13 | 532124670 | Retainer Spring |
| 15 | 532173288 | Link Front |
| 16 | 873350800 | Nut Jam Hex 1/2-13 Unc |
| 17 | 532130171 | Trunnion Blk Zinc |
| 18 | 873800800 | Nut Lock w/wsh 1/2-13 Unc |
| 19 | 532139868 | Arm Suspension Rear |
| 20 | 532163552 | Retainer Spring |
| 31 | 532169865 | Bearing Pvt Lift |
| 32 | 873540600 | Nut Crownlock 3/8-24 |

NOTE: All component dimensions given in U.S. inches
1 inch = 25.4 mm



REPAIR PARTS

TRACTOR- -MODEL NO. 12-107H (P12H105G), PRODUCT NO. 954 12 00-31
MOWER



REPAIR PARTS

TRACTOR- -MODEL NO. 12-107H (P12H105G), PRODUCT NO. 954 12 00-31
MOWER

| KEY NO. | PART NO. | DESCRIPTION | KEY NO. | PART NO. | DESCRIPTION |
|---------|------------------|---------------------------------|---------|-----------|--|
| 1 | 532165892 | Housing Asm Mower 42" T-Path | 48 | 532133944 | Washer Hardened Smaller |
| 2 | 872140506 | Bolt Rdhd Sqnk 5/16-18unc X3/4 | 49 | 532174284 | Roller Asm Cam Follower 42" dec |
| 3 | 532138017 | Bracket Asm Fr Sway Bar 38/42 | 50 | 532131340 | Bolt Shldr 10-24 Zinc Gr 5 42" |
| 4 | 532165460 | Bracket Asm Deck 42" sway Bar | 51 | 532069180 | Nut Lock #10-24 Unc |
| 5 | 532124670 | Retainer Spring | 52 | 532139888 | Bolt Shoulder 5/16-18 Unc Blkz |
| 6 | 532130832 | Arm Suspension Rear | 53 | 532131845 | Arm Asm Pad Brake |
| 8 | 532850857 | Bolt 3/8 - 24 X 1.25 Gr 8 | 54 | 532133943 | Washer Hardened |
| 9 | 810030600 | Washer Lock Hvy 3/8 Unplated | 55 | 532155046 | Arm Idler 42" mower LT/YT |
| 10 | 532140296 | Washer Hard Blade Mower | 56 | 532165723 | Spacer Retainer Pm Mower |
| 11 | 532138498 | Blade Mower High Lift | 59 | 532141043 | Guard TUV Idler |
| 13 | 532137645 | Shaft Asm W/Lower Bearing | 67 | 532106932 | Knob Rd 3/8-16 Plstc Thds Blk |
| 14 | 532128774 | Housing Mandrel Vented (Machd) | 68 | 532144959 | V-Belt Mower |
| 15 | 532110485 | Bearing Ball Mandrel | 142 | 532165890 | Arm Spring Brake Mower |
| 16 | 532174493 | Stripper Round Mower | 143 | 532157109 | Bracket Arm Idler 42" |
| 18 | 872140505 | Bolt Carr 5/16-18 X 5/8 | 144 | 532158634 | Keeper Belt 42" Clutch Cable |
| 19 | 532132827 | Bolt Shoulder | 145 | 532165888 | Pulley Idler Flat |
| 20 | 532159770 | Baffle Vortex 42" | 146 | 532171977 | Bolt Carriage Idler |
| 21 | 873680500 | Nut Crown Lock 5/16-18 | 147 | 532131335 | Spring Extension |
| 22 | 532134753 | Stiffener Bracket 42" deck | 148 | 532169022 | Spring Return Idler |
| 23 | 532131267 | Bracket Deflector Mower 42" | 149 | 532165898 | Retainer Spring Yellow |
| 24 | 532105304 | Cap Sleeve 80x 112 Blk Mower | 150 | 819091216 | Washer 9/32 x 3/4 x 16 Ga. |
| 25 | 532123713 | Spring Torsion Deflector 2 52 | 151 | 532169670 | Bracket Clutch Cable |
| 26 | 532110452 | Nut Push Phos & Oil | 152 | 532169676 | Clutch Cable 42" |
| 27 | 532130968 | Shield Deflector Mower 42" | 153 | 532169674 | Washer Flat 3/8" Type B |
| 28 | 819111016 | Washer 11/32 X 5/8 X 16 Ga. | 154 | 532169675 | Spring Retainer |
| 29 | 532131491 | Rod Hinge 42" 6 75 Wlg | 155 | 532169671 | Spring Retention Lvr Cltch Cab |
| 30 | 532157722 | Screw Thdrol Washer Head | 156 | 532169672 | Spacer Clutch Cable |
| 31 | 532129963 | Washer Spacer Mower Vented | 157 | 532169669 | Rod Clutch Cable 3/8" |
| 32 | 532153535 | Pulley Mandrel 42/44/50 | 158 | 817720410 | Screw Hex Thd Cut 1/4-20 x 5/8 |
| 33 | 532137266 | Nut 9/16 Top Lock Fling Oil Dip | 159 | 872140614 | Bolt Rdhd Sqnk 3/8-16 UNC x 1-3/4 |
| 34 | 872110614 | Bolt Rdhd 3/8-16unc X 1-3/4 Gr5 | -- | 532171639 | Deck Serv 42" |
| 36 | 532131494 | Pulley Idler Flat 3 060 | -- | 532130794 | Mandrel Asm Service (Includes Key Nos. 8-10, 13-15, 31 and 33) |
| 37 | 819131316 | Washer 13/32 X 13/16 X 16 | | | |
| 40 | 873680600 | Nut, Crownlock 3/8-16 UNC | | | |
| 44 | 532140088 | Guard Mandrel LH Black | | | |
| 45 | 532124788 | Spring Retainer 1" Zinc/cad | | | |
| 46 | 532137729 | Screw Hex Thd Cut 1/4-20x5/8 T | | | |

NOTE: All component dimensions given in U.S. inches
1 inch = 25.4 mm

TRACTOR- -MODEL NO. 12-107H (P12H105G), PRODUCT NO. 954 12 00-31 SCHEMATIC

