



REPAIR PARTS MANUAL
MODEL NO. RZ12542A
Lawn Tractor

Rally

HOW TO USE THIS MANUAL

This manual is designed to provide the customer with a means to identify the parts on his/her tractor when ordering repair parts. The illustrations may or may not represent the actual assemblies; therefore, it is not recommended to use this manual as a guide to assemble or disassemble the tractor. Some hardware and parts are drawn larger in order to more readily identify them.

Each tractor has its own model number.

The model number for your tractor can be found on the fender under the seat.

When ordering parts, always give the following information:

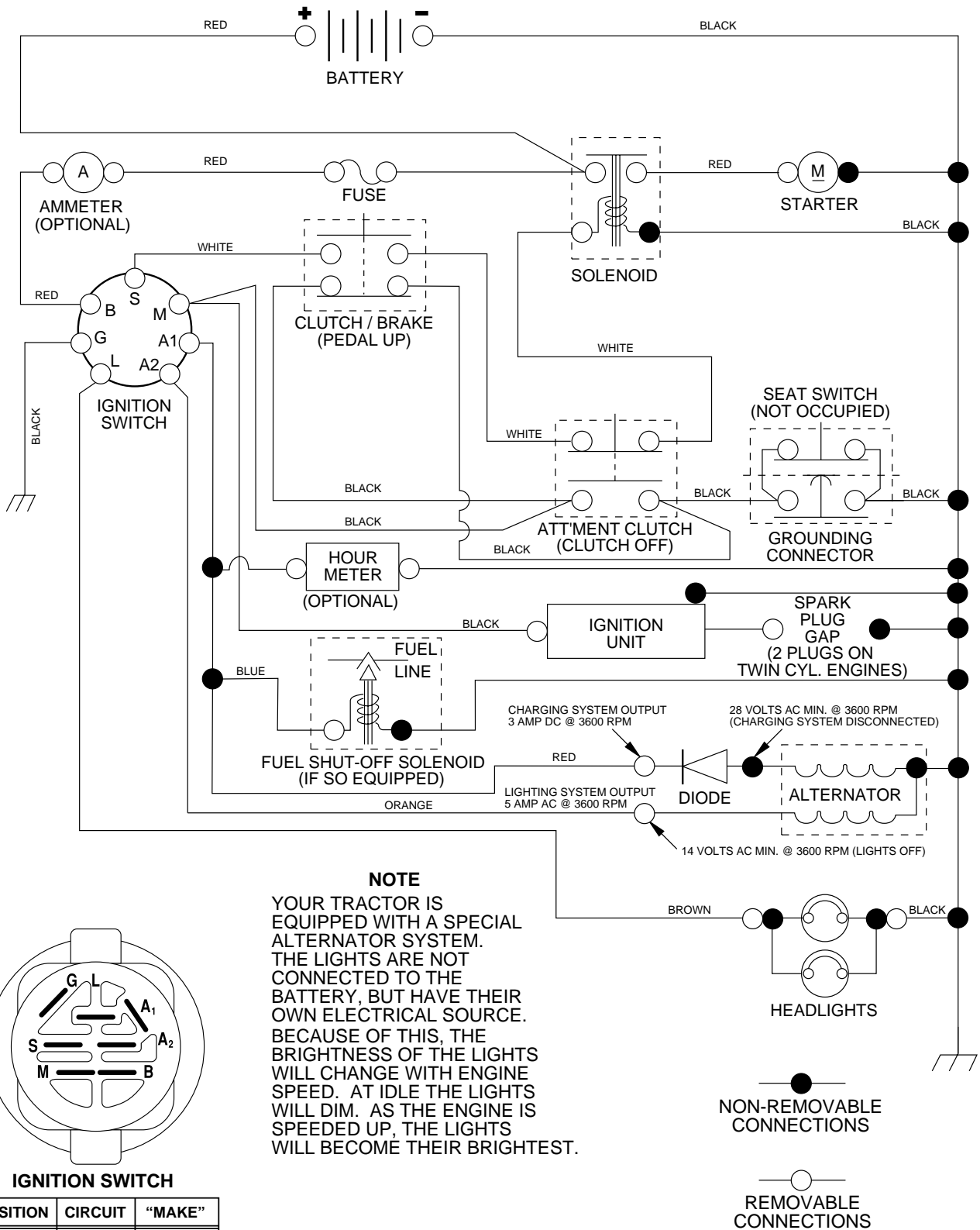
- Product - "Tractor"
- Model Number - "RZ12542A"
- Part Number
- Part Description

TABLE OF CONTENTS

SCHEMATIC.....	3
ELECTRICAL.....	4-5
CHASSIS.....	6-7
DRIVE.....	8-9
STEERING WHEEL.....	10-11
ENGINE.....	12
SEAT.....	13
DECALS.....	14
MOWER LIFT LEVER.....	15
MOWER DECK.....	16-17
WARRANTY.....	19

TRACTOR - - MODEL NUMBER RZ12542A

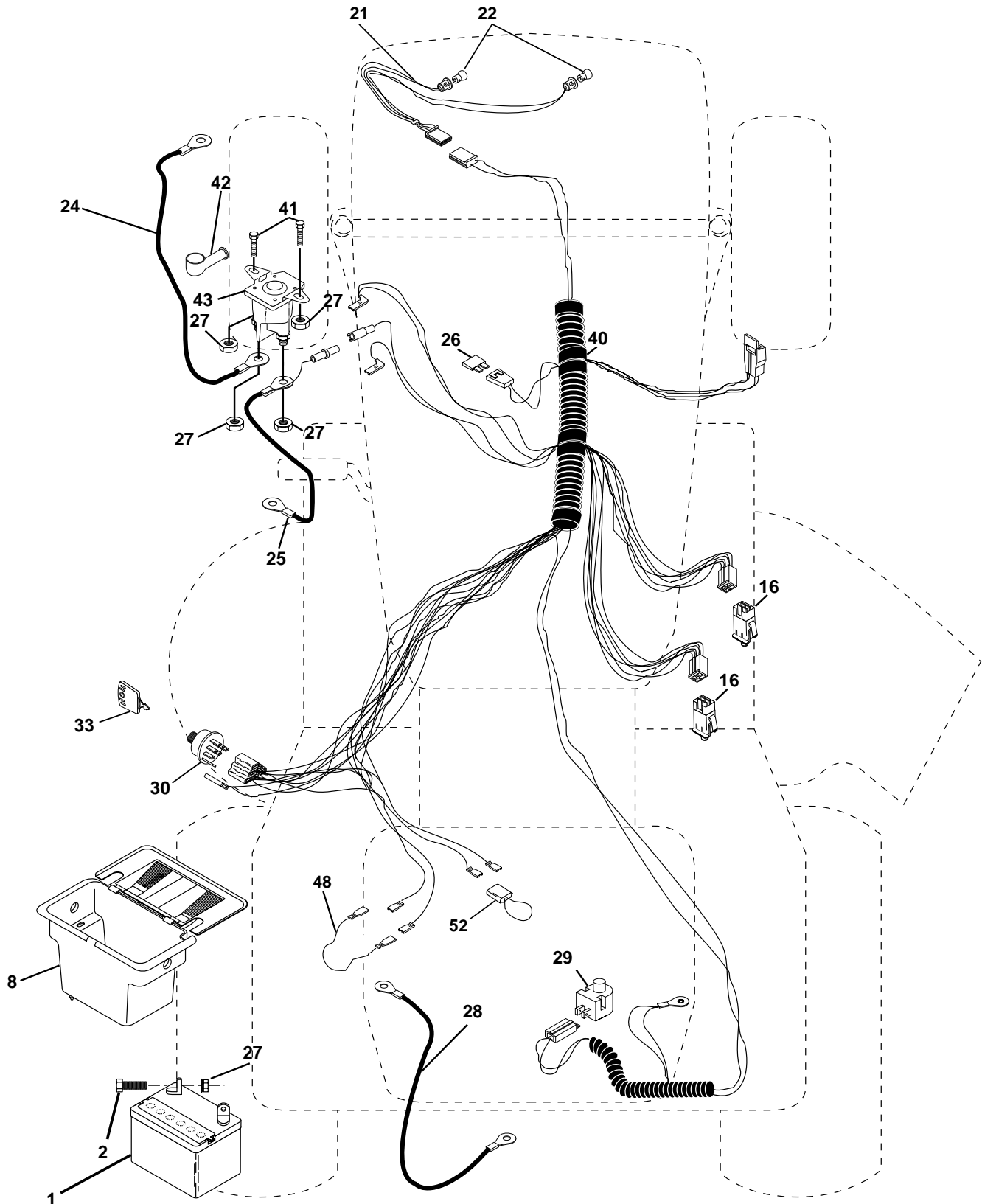
SCHEMATIC



REPAIR PARTS

TRACTOR - - MODEL NUMBER RZ12542A

ELECTRICAL



REPAIR PARTS

TRACTOR - - MODEL NUMBER RZ12542A

ELECTRICAL

KEY NO.	PART NO.	DESCRIPTION
1	144925	Battery 12 Volt 25 Amp
2	74760412	Bolt Hex Hd 1/4-20unc X 3/4
8	156417	Case Battery
16	153664	Switch Interlock Push-In
21	166181	Harness Asm Light W/4152J
22	4152J	Bulb Light #1156
24	4799J	Cable Battery 6 Ga 11"red
25	146147	Cable Battery 6 Ga red W/ 16" Wire
26	175158	Fuse 20 AMP
27	73510400	Nut Keps Hex 1/4-20 UNC
28	4207J	Cable Ground 6 Ga 12" black
29	121305X	Switch Plunger Nc Gray
30	175566	Switch, Ignition
33	140401	Key Ign
40	170217	Harness Ign
41	71110408	Bolt Blk Fin Hex 1/4-20 x 1/2
42	131563	Cover Terminal Red
43	178861	Solenoid
48	140844	Adapter Ammeter Rectangular
52	141940	Protection Wire Loop

NOTE: All component dimensions give in U.S. inches
1 inch = 25.4 mm.

REPAIR PARTS

TRACTOR - - MODEL NUMBER RZ12542A

CHASSIS AND ENCLOSURES

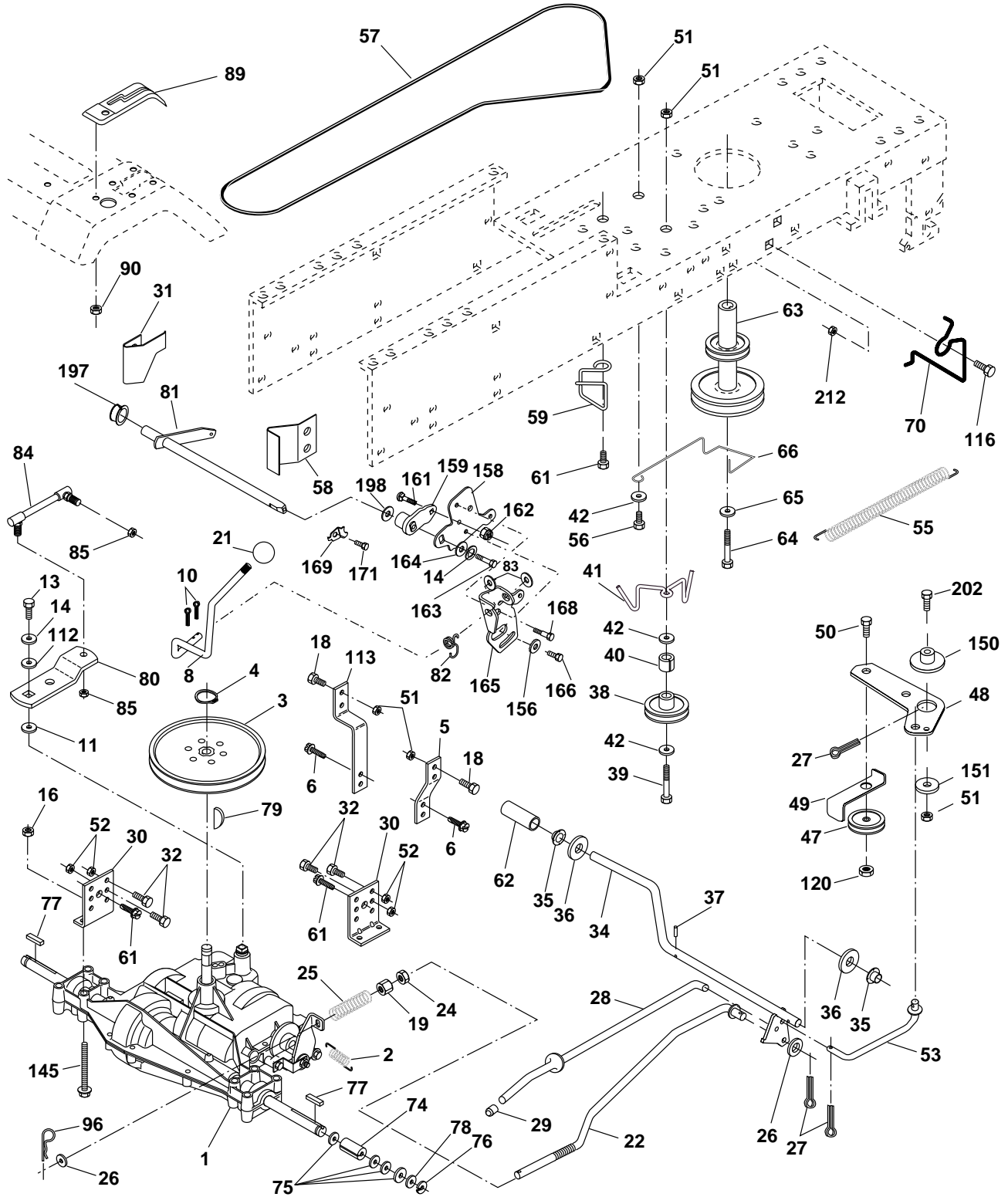
KEY NO.	PART NO.	DESCRIPTION
1	169831	Chassis
2	176554	Drawbar
3	17060612	Screw 3/8-16 x 3/4
5	155272	Bumper Hood/Dash
6	155923	Saddle
8	155138	Clip, Retainer Slide-On
9	168347X011	Dash
10	72140608	Bolt, Carriage 3/8-16 x 1
11	155927	Dashboard, panel LH
12	145660	Clip Tinnerman Grille P/L
13	172107X010	Dashboard, panel RH
15	74180512	Machine screw 5/16-18 unc x 3/4
16	73510500	Nut, Keps 5/16-18 Unc
17	159639X505	Hood Pnt Stl P/L w/Trim 505
18	126938X	Bumper Hood
24	74780616	Bolt, Hex Head, Fin. 3/8-16 x 1 Grade 5
25	19131312	Washer 13/32 x 13/16 x12 Gauge
26	73800600	Nut Lock Hex w/Ins. 3/8-16 Unc
28	140434	Grille/Lens Asm.
29	140273X599	Lens
30	169467X505	Fender
31	136619	Fender Bracket
33	145244X505	Footrest, LH
34	145243X505	Footrest, RH
35	72110606	Bolt 3/8-16 X 3/4
37	17490508	Screw Thdrol 5/16-18 x 1/2
38	175710	Bracket Asm. Pivot Mower Rear
51	73800400	Nut Lock, w/Insert 14/20 UNC
52	19091416	Washer 9/32 x 7/8 x 16 Ga.
53	144697	Bracket Grille
54	161464	Screw Hex WsHd 8-18 x 7/8
55	144696	Bracket Grille RH
57	74780412	Bolt FinHex 1/4-20 UNC x .75
58	150127	Duct Air Engine P/L LT
145	156524	Rod Pivot Chassis/Hood
205	17490608	Screw Thdrol 3/8-16 x 1/2
206	170165	Bolt Shoulder 5/16-18 TT
208	17670608	Screw Thdrol 3/8-16 x 1/2
209	17000612	Screw Hexwsh Thdr 3/8-16 x 3/4
212	156229	Insert Lens Reflect
--	5479J	Button Plug

NOTE: All component dimensions given in U.S. inches
1 inch = 25.4 mm

REPAIR PARTS

TRACTOR - - MODEL NUMBER RZ12542A

DRIVE



REPAIR PARTS

TRACTOR - - MODEL NUMBER RZ12542A

DRIVE

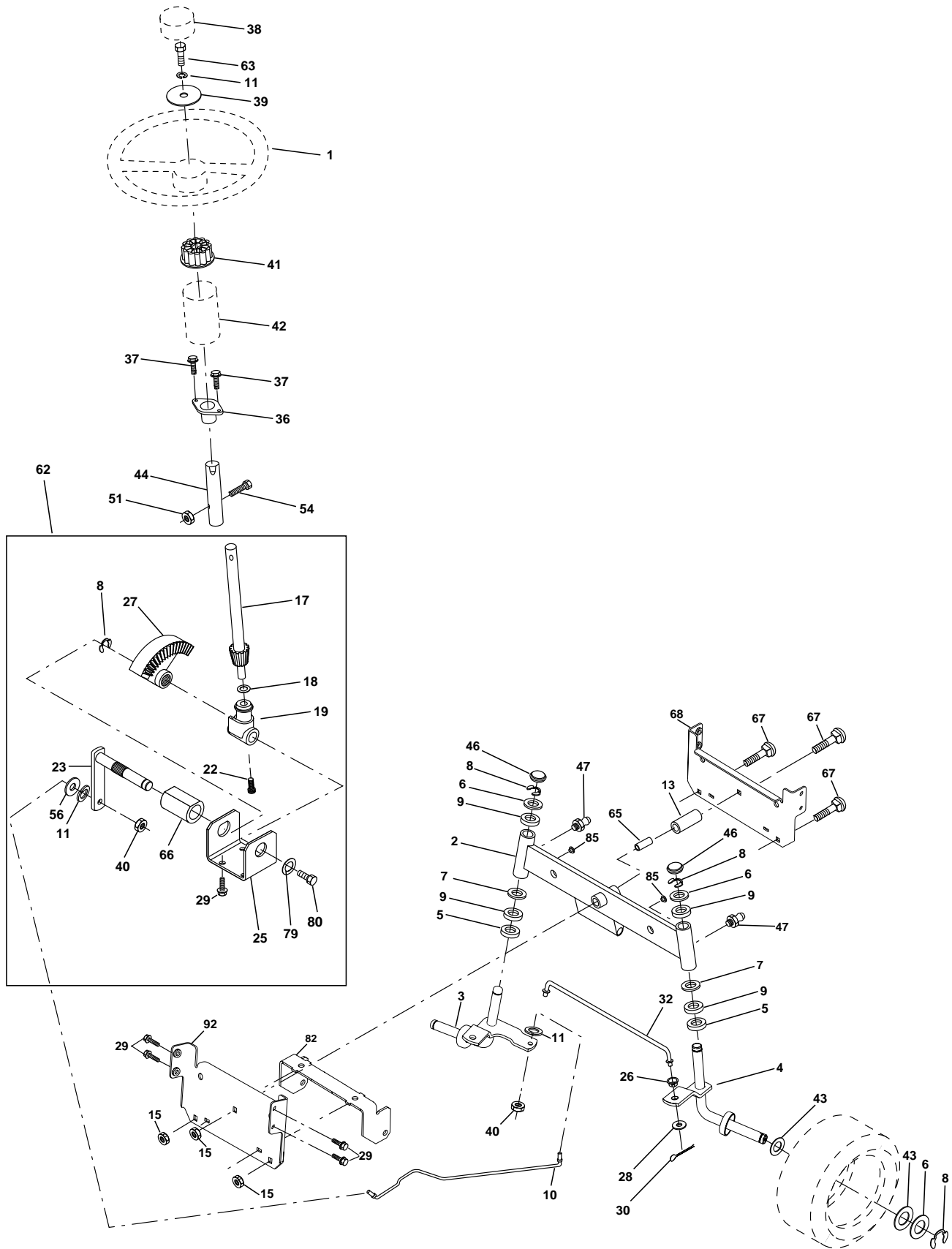
KEY NO.	PART NO.	DESCRIPTION	KEY NO.	PART NO.	DESCRIPTION
1	-----	Transaxle Peerless 205-544C (Order parts from transaxle manufacturer)	61	17060612	Screw, 3/8-16 x 3/4
2	146682	Spring, Brake Return	62	8883R	Cover, Foot Pedal
3	123666X	Pulley, Transaxle	63	140186	Pulley, Engine
4	12000028	Ring, Retainer	64	71170764	Bolt, Hex 7/16-20 x 4 Gr. 5
5	121520X	Strap, Torque	65	10040700	Washer, Lock Hvy Hlcl Spr 7/16
6	17060512	Screw, 5/16-18 x 3/4	66	154778	Keeper, Belt Engine F-Proof
8	165619	Rod Shift Fender Adjust LT	70	134683	Guide Belt Mower Drive RH
10	76020416	Pin, Cotter 1/8 x 1	74	137057	Spacer, Axle
11	105701X	Washer, Shift Plate	75	121749X	Washer 25/32 x 1-1/4 x 16 Ga.
13	74550412	Bolt 1/4-28 UNF Gr. 8 w/Patch	76	12000001	E-Ring
14	10040400	Washer Lock	77	123583X	Key Square
16	73800500	Nut Lock Hex w/Ins 5/16-18 Unc	78	121748X	Washer 25/32 x 1-5/8 x 16 Ga.
18	74780616	Bolt, Fin Hex 3/8-16 Unc x 1 Gr. 5	79	2228M	Key Woodruff #9 3/16 x 3/4
19	73800600	Locknut 3/8-16	80	131486	Shift Arm
21	106933X	Knob	81	165594	Shaft Asm Cross Tapered DA/PR 18
22	130804	Rod, Brake	82	123782X	Spring, Torsion
24	73350600	Nut, Hex Jam 3/8-16	83	19171216	Washer 17/32 x 3/4 x 16 Gauge
25	106888X	Spring, Rod, Brake	84	166228	Link, Transaxle PMST/18" Zinc
26	19131316	Washer 13/32 x 13/16 x 16 Gauge	85	150360	Nut 1/4-28
27	76020412	Pin, Cotter 1/8 x 3/4	89	169370X428	Console Shift
28	145204	Rod, Brake, Park	90	124346X	Nut, Washer Head, Self-Thread 1/4
29	71673	Cap, Plunger	96	4497H	Retainer Spring 1" Ziinc/Cad
30	174973	Bracket, Transaxle	112	19091210	Washer 9/32 x 3/4 x 10 Ga.
31	127275X	Keeper Belt Lh Lt	113	127285X	Strap Torque L.H. Lt
32	74760512	Bolt Hex Hd 5/16-18 UNC x 3/4	116	72140608	Bolt 3/8-16 x 1
34	155071	Shaft, Foot Pedal	120	73900600	Nut Lock 3/8-16
35	120183X	Bearing Nylon	145	74490540	Bolt, Hex Flghd 5/16-18 Gr. 5
36	19211616	Washer 21/32 x 1 x 16 Gauge	150	165850	Bushing, Bellcrank Grd Drive
37	1572H	Pin, Roll 3/16 x 1	151	19133210	Washer 13/32 x 2 x 10 Ga.
38	131494	Idler, Flat	156	166002	Washer Srrtd 5/16ID x 1 x .125
39	74760644	Bolt Fin Hex 3/8-16 Unc x 2-3/4	158	165589	Bracket, Shift Mount
40	4470J	Spacer	159	165494	Hub, Tapered Flange Shift LT
41	165838	Keeper, Belt	161	72140406	Bolt Rdhd Sqnk 1/4-20 x 3/4 Gr 5
42	19131312	Washer 13/32 x 13/16 x 12 Gauge	162	73680400	Nut, Crownlock 1/4-20 UNC
47	127783	Pulley, Idler	163	74780416	Bolt, Hex Fin 1/4-20 UNC x 1 Gr 5
48	154407	Bellcrank Clutch Grnf Drv Stl	164	19091010	Washer 5/8 x .281 x 10 Ga
49	123205X	Retainer, Belt	165	165623	Bracket Pivot Lever
50	74760624	Bolt, Hex 3/8-16 x 1-1/2	166	166880	Screw 5/16-18 x 5/8
51	73680600	Nut, Crownlock 3/8-16	168	165492	Bolt Shoulder 5/16-18 x .561
52	73680500	Nut, Crownlock 5/16-18	169	165581	Plate, Fastening LT
53	105710X	Link, Clutch	171	17490608	Screw Thdrol 3/8-16 x 1/2 TY-TT
55	105709X	Spring, Return, Clutch	197	169613	Nyliner Snap-In 5/8" ID
56	74760620	Bolt, Fin, Hex 3/8-16unc x 1-1/2	198	169593	Washer Nyl 7/8 Id x .105"
57	130801	V-Belt, Drive	202	72110612	Bolt Carr Sh 3/8-16 x 1-1/2 Gr 5
58	127274X	Keeper Belt Rh Lt	212	145212	Nut Hex Flange Lock
59	169691	Keeper Belt Center Span			

NOTE: All component dimensions given in U.S. inches
1 inch = 25.4 mm

REPAIR PARTS

TRACTOR - - MODEL NUMBER RZ12542A

STEERING WHEEL



REPAIR PARTS

TRACTOR - - MODEL NUMBER RZ12542A

STEERING WHEEL

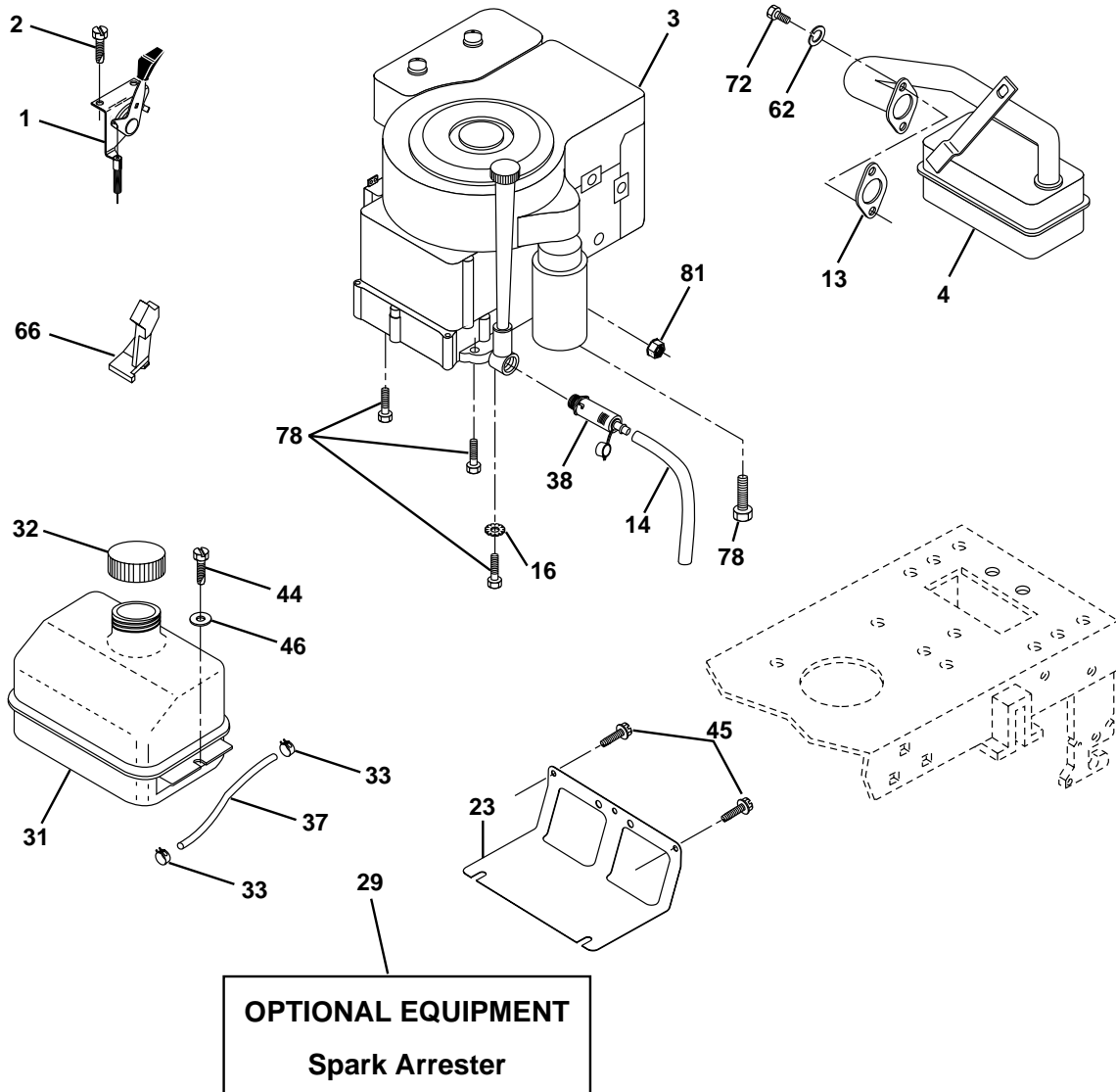
KEY NO.	PART NO.	DESCRIPTION
1	140044X428	Wheel, Steering
2	154427	Asm. Axle, Rear
3	169840	Asm., Spindle, Lh
4	169839	Asm., Spindle, Rh
5	6266H	Bearing, Thrust, Hardened
6	121748X	Washer 25/32 x 1-5/8 x 16 Ga.
7	19272016	Washer 27/32 x 1-1/4 x 16 Ga.
8	12000029	Ring, Clip
9	3366R	Bearing
10	169832	Link, Drag
11	10040600	Washer, Lock
13	136518	Bearing, Axle
15	145212	Nut, Hex Flange Lock
17	156546	Asm. Shaft, Steering
18	57079	Washer, Thrust .515 x .750 x .033
19	160395	Support, Shaft
22	165857	Screw, Hex Wsh Hd Torx
23	165851	Shaft Asm. Pittam
25	154406	Bracket, Steering
26	126847X	Bushing, Link, Drag
27	136874	Gear, Sector
28	19131416	Washer 13/32 x 7/8 x 16 Ga.
29	17060612	Screw 3/8-16 x 3/4
30	76020412	Pin, Cotter
32	130465	Rod, Tie
36	155099	Bushing, Steering
37	152927	Screw
38	140045X428	Insert, Steering
39	19133812	Washer 13/32 x 2-3/8 x 12 Ga.
40	7810H	Nut
41	100711L	Adapter, Steering
42	145054X428	Boot, Shaft Steering Blk
43	121749X	Washer 25/32 x 1-1/4 x 16 Ga.
44	153720	Extension Shaft Steering LR.LT
46	121232X	Cap, Spindle
47	6855M	Fitting, Grease
51	73800500	Nut Lock Hex w/Ins. 5/16-18 UNC
54	74780520	Bolt Fin Hex 5/16-18 UNC x 1-1/4
62	167902	Kit, Steering Asm, Service
63	74780616	Bolt, FinHex 3/8-16 UNC x 1 Gr. 5
65	160367	Spacer Axle
66	154404	Bearing Arm Pittman
67	72140618	Bolt, Rdhd Sq 3/8-16 Unc x 2-1/4
68	169827	Axle, Brace
79	19132012	Washer 13/32 x 1-1/4 x 12 Ga.
80	74950612	Bolt Hex Nylon 3/8-16 x 3/4
82	169835	Bracket Susp. Chassis Front
85	133835	Fastener Christmas Tree

NOTE: All component dimensions given in U.S. inches
1 inch = 25.4 mm

REPAIR PARTS

TRACTOR - - MODEL NUMBER RZ12542A

ENGINE



KEY NO.	PART NO.	DESCRIPTION
1	170865	Control Th/ch
2	17720410	Screw Hex Thd Cut 1/4-20x5/8 T
3	-----	Engine Briggs Model No. 289707 (Order parts from engine manufacturer)
4	137348	Muffler Exhaust B&S
13	165291	Gasket Eng
14	148456	Tube Drain Oil Easy
16	11050600	Washer Lock Ext Tooth 3/8
23	169837	Shield Brn/Dbk Guard
29	137180	Kit Spark Arrestor (Flat Scrn)
31	109202X	Tank Fuel Front 1.25
32	140527	Cap Asm Fuel
33	123487X	Clamp Hose Blk

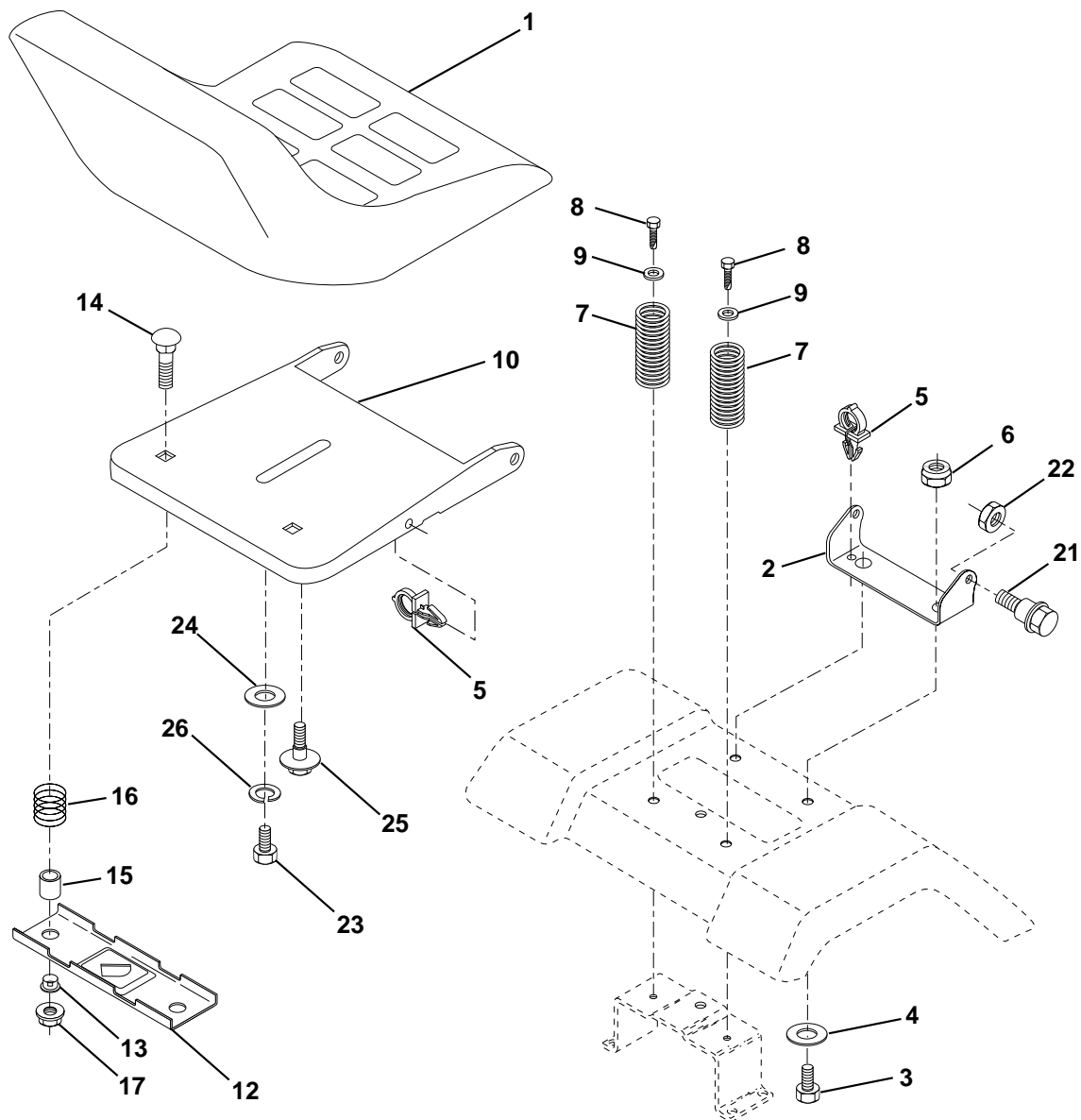
KEY NO.	PART NO.	DESCRIPTION
37	137040	Line Fuel
38	148315	Plug Drain Oil Easy
44	17670412	Screw Hex Wsh Thdrol 1/4-20 x 3/4
45	17000612	Screw Hex Wsh Thdr 3/8-16 x 3/4
46	19091416	Washer 9/32 X 7/8 X 16 Ga
62	10040500	Washer 5/16
66	127951	Stop Throttle 3000 RPM
72	71070512	Screw 5/16-18 x 3/4
78	17060620	Screw 3/8-16x1-1/4
81	73510400	Nut Keps Hex 1/4-20 Unc

NOTE: All component dimensions given in U.S. inches.
1 inch = 25.4 mm.

REPAIR PARTS

TRACTOR - - MODEL NUMBER RZ12542A

SEAT



KEY NO.	PART NO.	DESCRIPTION
1	127426	Seat
2	140551	Bracket, Pivot, Seat
3	71110616	Bolt
4	19131610	Washer 13/32 x 1 x 10 Ga.
5	145006	Clip, Push-in
6	73800600	Nut
7	124181X	Spring, Seat
8	17000616	Screw 3/8-16 x 1
9	19131614	Washer 13/32 x 1 x 14 Ga.
10	174894	Pan, Seat
12	121246X	Bracket, Mounting, Switch, Seat
13	121248X	Bushing, Nylon

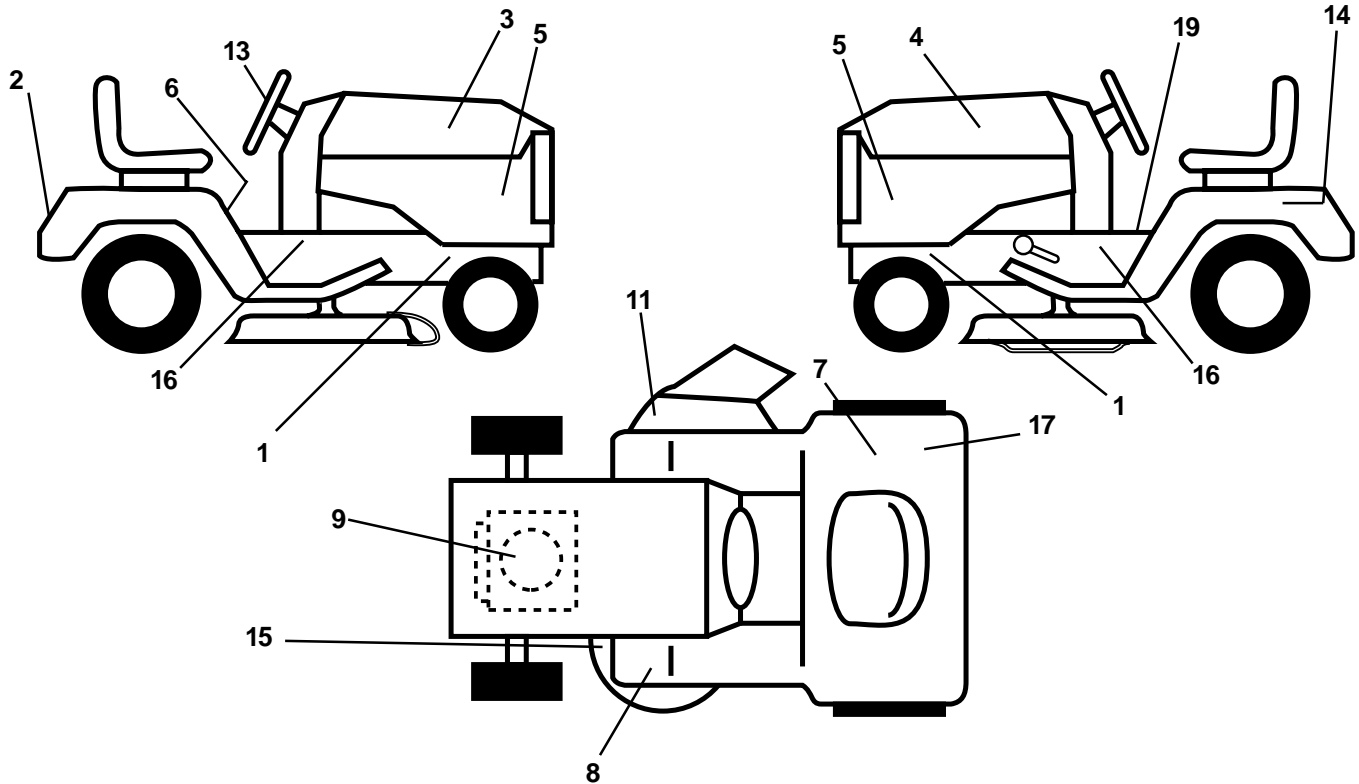
KEY NO.	PART NO.	DESCRIPTION
14	72050412	Nut, Crownlock 1/4-20 x 1-1/2
15	134300	Spacer, Split
16	121250X	Spring
17	123976X	Nut, Lock, Flange 1/4 Gr. 5
21	171852	Bolt, Shoulder 5/16-18 UNC
22	73800500	Nut
23	71110814	Bolt Hex
24	19171912	Washer 17/32 x 1-3/16 x 12 Ga.
25	127018X	Bolt Shoulder 5/16-18 x .62
26	10040800	Washer Lock Hvy Hclc Spr 1/2

NOTE: All component dimensions given in U.S. inches
1 inch = 25.4 mm

REPAIR PARTS

TRACTOR - - MODEL NUMBER RZ12542A

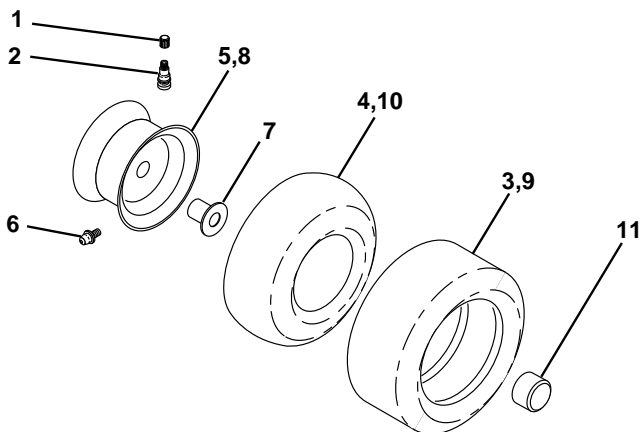
DECALS



KEY NO.	PART NO.	DESCRIPTION
1	159736	Decal, Chassis Hot Muffler
2	170752	Decal, Fender Logo
3	153266	Decal, Hood Rh
4	153267	Decal, Hood Lh
5	135866	Decal, Insert Hood
6	145498	Decal, Read Owner's Manual Syms
7	145437	Decal, Europe Stand CE
8	159737	Decal, Brake/Clutch Symbol LT
9	170839	Decal, HP Engine
11	145494	Decal, International Cutfinger
13	146902	Decal, Steering Wheel
14	145005	Decal, Battery Dan/Poi P/L Symbols

KEY NO.	PART NO.	DESCRIPTION
15	160396	Decal, V-Belt
16	154521	Decal, Chassis
17	126187X	Decal, 100 DBA
19	140837	Decal, Parking Brake
--	138311	Decal, Handle, Lift, Height Adjust (Lift Handle)
--	162598	Decal, Drawbar Load Limit
--	133671	Pad Footrest
--	177043	Manual, Operator's (European)
--	177044	Manual, Operator's (Scan)
--	177045	Manual, Repair Parts

TIRES AND WHEELS



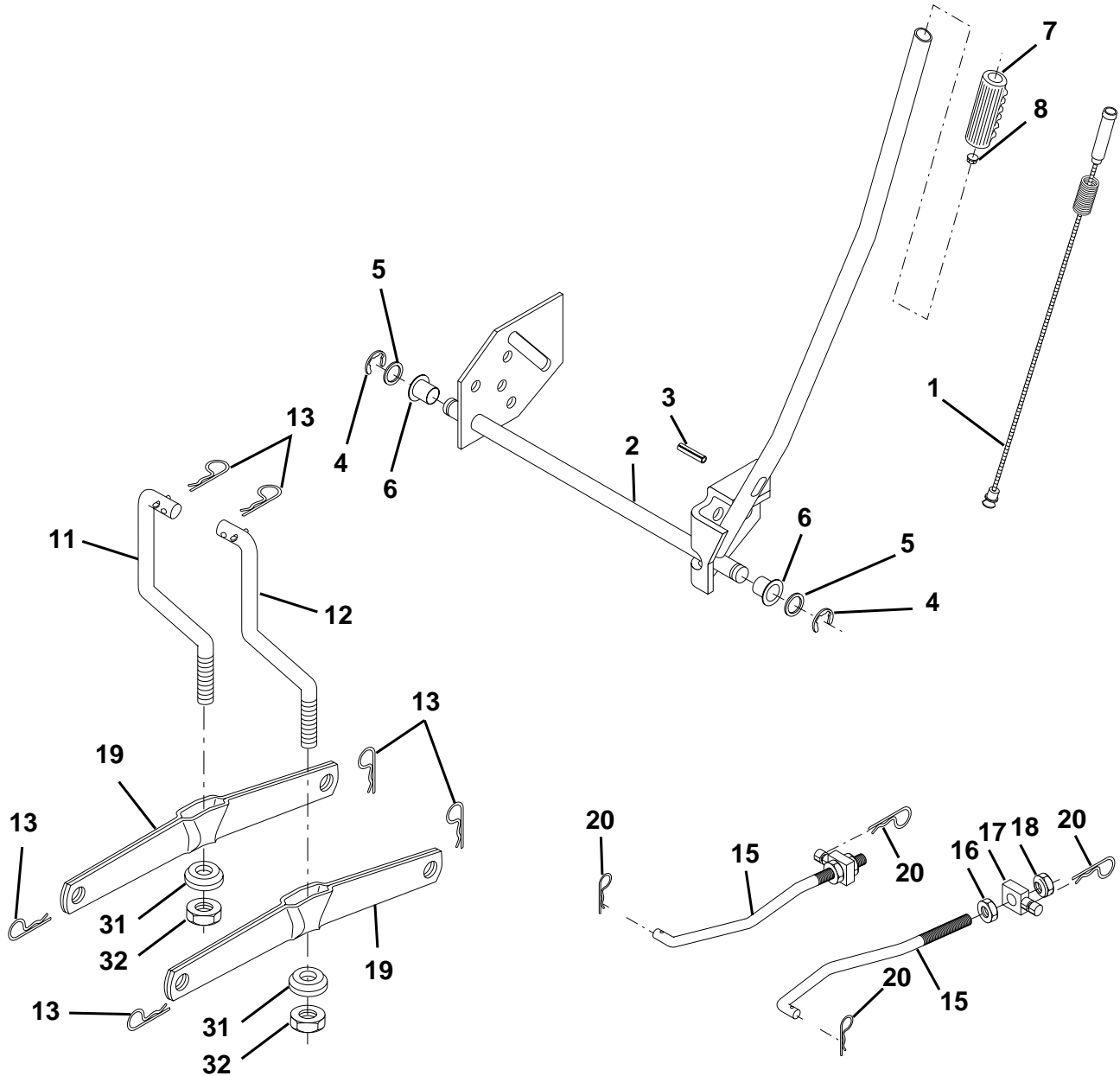
KEY NO.	PART NO.	DESCRIPTION
1	59192	Cap, Valve
2	65139	Stem, Valve
3	106222X	Tire Front
4	59904	Tube, Front (not furnished)
5	106732X427	Rim, Asm. Front
6	278H	Grease Fitting (rear tire only)
7	9040H	Bearing, Flange (front tire only)
8	106108X427	Rim, Asm. Rear
9	124635X	Tire, Rear
10	7152J	Tube, Rear (not furnished)
11	104757X428	Cap, Axle
--	144334	Sealant, Tire (10 oz. Tube)

NOTE: All component dimensions given in U.S. inches
1 inch = 25.4 mm

REPAIR PARTS

TRACTOR - - MODEL NUMBER RZ12542A

MOWER LIFT



KEY NO.	PART NO.	DESCRIPTION
1	159460	Asm. Inner Wire w/Plunger
2	159471	Asm., Shaft, Lift
3	105767X	Pin, Groove
4	12000002	Ring, E #5133-62
5	19211621	Washer 21/32 x 1 x 21 Ga.
6	120183X	Bearing, Nylon
7	109413X	Grip Handle Bicycle Matte Blk
8	124526X	Button, Plunger
11	139865	Link, Lift, Lh
12	139866	Link, Lift, Rh

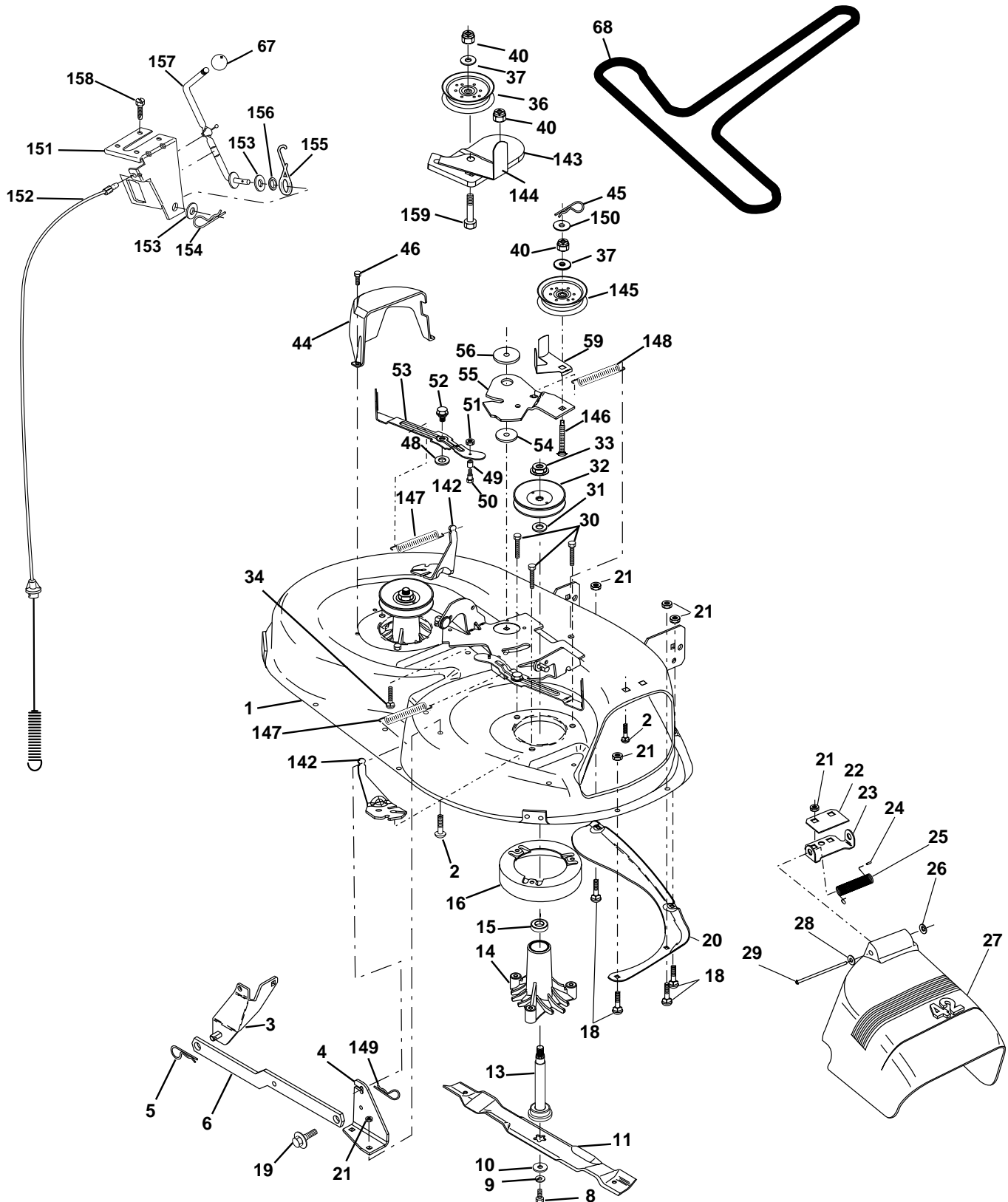
KEY NO.	PART NO.	DESCRIPTION
13	4939M	Spring, Retainer
15	173288	Link, Front
16	73350800	Nut, Jam, Hex 1/2-13 Unc
17	130171	Trunnion
18	73800800	Nut, Lock w/Wsh 1/2-13 Unc
19	139868	Arm, Suspension, Rear
20	163552	Spring, Retainer
31	169865	Bearing, Pvt Lft
32	73540600	Nut Crownlock 3/8-24

NOTE: All component dimensions given in U.S. inches
1 inch = 25.4 mm

REPAIR PARTS

TRACTOR - - MODEL NUMBER RZ12542A

MOWER DECK



REPAIR PARTS

TRACTOR - - MODEL NUMBER RZ12542A

MOWER DECK

KEY NO.	PART NO.	DESCRIPTION	KEY NO.	PART NO.	DESCRIPTION
1	165892	Mower Deck Assembly, 42"	46	137729	Screw, Thdrol 1/4-20 x 5/8 T
2	72140506	Bolt	48	133944	Washer, Hardened
3	138017	Bracket Asm Fr. Sway Bar 3/42	49	174284	Roller Assembly, Cam Follower
4	165460	Bracket Asm Deck 42" Sway Bar	50	131340	Bolt, Shoulder #10-24 Grade 5
5	4939M	Retainer Spring	51	69180	Locknut
6	130832	Arm, Suspension, Rear	52	139888	Bolt, Shoulder 5/16-18 UNC
8	850857	Bolt 3/8-24 x 25 Grade 8 patched	53	131845	Arm Assembly, Pad, Brake
9	10030600	Washer, Lock	54	133943	Washer, Hardened
10	140296	Washer, Hardened	55	155046	Arm, Idler
11	138498	Blade Mower 42" Hi-Lift Std	56	165723	Spacer, Retainer
13	137645	Shaft Assembly, Mandrel, Vented	59	141043	Guard TUV Idler
14	128774	Housing, Mandrel, Vented	67	106932X	Knob Round
15	110485X	Bearing, Ball, Mandrel	68	144959	V-Belt, 42" Mower
16	174493	Stripper, Vented Mower Deck	142	165890	Arm Spring Brake Mower
18	72140505	Bolt, Carriage 5/16-18 x 5/8	143	157109	Bracket Arm Idler 42"
19	132827	Bolt, Shoulder	144	158634	Keeper Belt 42" Clutch Cable
20	159770	Baffle, Vortex	145	165888	Pulley Idler Flat
21	73680500	Nut	146	171977	Bolt Carriage Idler
22	134753	Stiffener Bracket	147	131335	Spring Extension
23	131267	Bracket, Deflector Mower 42"	148	169022	Spring Return Idler
24	105304X	Cap, Sleeve 80 x 112 Blk Mower	149	165898	Retainer Spring Yellow
25	123713X	Spring, Torsion, Deflector 2 52	150	19091216	Washer 9/32 x 3/4 x 16 Ga.
26	110452X	Nut, Push Phos & Oil	151	169670	Bracket Clutch Cable
27	130968X428	Shield, Deflector 42" Blk	152	169676	Clutch Cable 42"
28	19111016	Washer 11/32 x 5/8 x 16 Gauge	153	169674	Washer Flat 3/8" Type B
29	131491	Rod, Hinge 42" 6 75 W/G	154	169675	Spring Retainer
30	157722	Screw Thdrol Washer Head	155	169671	Spring Retention LVR CLTCH CAB
31	129963	Washer, Spacer Mower Vented	156	169672	Spacer Clutch Cable
32	153535	Pulley, Mandrel	157	169669	Rod Clutch Cable 3/8"
33	137266	Nut, Toplock 9/16	158	17720410	Screw Hex Thd Cut 1/4-20 x 5/8
34	72110614	Bolt	159	72140614	Bolt Rdhd Sqn 3/8-16 UNC x 1-3/4
36	131494	Pulley, Idler, Flat	--	130794	Mandrel Assembly (Includes Key Numbers 8-10,13-15, 31 and 33)
37	19131316	Washer 13/32 x 13/16 x 16 Gauge	--	171639	Mower Deck, Complete
40	73680600	Nut			
44	140088	Guard, Mandrel, LH			
45	4497H	Retainer			

NOTE: All component dimensions given in U.S. inches
1 inch = 25.4 mm

LIMITED WARRANTY

The Manufacturer warrants to the original consumer purchaser that this product as manufactured is free from defects in materials and workmanship. For a period of one (1) year from date of purchase by the original consumer purchaser, we will repair or replace, at our option, without charge for parts or labor incurred in replacing parts, any part which we find to be defective due to materials or workmanship. This Warranty is subject to the following limitations and exclusions.

1. This warranty does not apply to the engine. Please contact your nearest dealer where they will send the machine to the engine manufacturer.
2. Transportation charges for the movement of any power equipment unit or attachment are the responsibility of the purchaser. Transportation charges for any parts submitted for replacement under this warranty must be paid by the purchaser unless such return is requested by your dealer.
3. Battery Warranty: On products equipped with a Battery, we will replace, without charge to you, any battery which we find to be defective in manufacture, during the first ninety (90) days of ownership. After ninety (90) days, we will exchange the Battery, charging you 1/12 of the price of a new Battery for each full month from the date of the original sale. Battery must be maintained in accordance with the instructions furnished.
4. The Warranty period for any products used for rental or commercial purposes is limited to 90 days from the date of original purchase.
5. This Warranty applies only to products which have been properly assembled, adjusted, operated, and maintained in accordance with the instructions furnished. This Warranty does not apply to any product which has been subjected to alteration, misuse, abuse, improper assembly or installation, delivery damage, or to normal wear of the product.
6. Exclusions: Excluded from this Warranty are belts, blades, blade adapters, normal wear, normal adjustments, standard hardware and normal maintenance.
7. In case of any problem within the boundaries of this warranty, contact the nearest department store, indicate the model number, serial number and the date of purchase of your machine. This warranty does not apply to accidental damages. All implicit warranties are limited to the same time frames. Or contact:

E.M. Services
54 Rue Lambrechts
92400 Courbevoie
France
Telephone: (1) 46678078
Fax: (1) 46678095

THIS WARRANTY DOES NOT APPLY TO INCIDENTAL OR CONSEQUENTIAL DAMAGES. ANY IMPLIED WARRANTIES ARE LIMITED TO THE SAME TIME PERIODS STATED HEREIN.