



WIZARD



REPAIR PARTS MANUAL
MODEL NO. WZ12B36B
Lawn Tractor

WIZARD

HOW TO USE THIS MANUAL

This manual is designed to provide the customer with a means to identify the parts on his/her tractor when ordering repair parts. The illustrations may or may not represent the actual assemblies; therefore, it is not recommended to use this manual as a guide to assemble or disassemble the tractor. Some hardware and parts are drawn larger in order to more readily identify them.

Each tractor has its own model number.

The model number for your tractor can be found on the fender under the seat.

When ordering parts, always give the following information:

- Product - "Tractor"
- Model Number - "WZ12B36B"
- Part Number
- Part Description

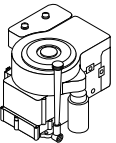
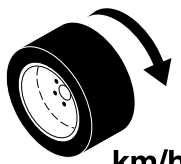
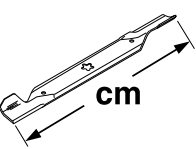
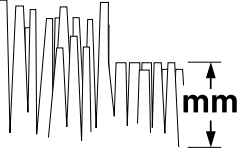

 hp/kw	 km/h	 cm	 mm	 KG	dB (A)	Vibration Vibration Vibración Vibrering Vibrasjon Lärmpegel Vibratie Vibrazioni Vibration Tärinä m/s ²
12/8,9	0-7,7	91	25-89	205	100	4-8

TABLE OF CONTENTS

ELECTRICAL	4-5
HOOD	6
FENDER/CHASSIS	7
SEAT	8
DASHBOARD	9
STEERING WHEEL	10
SECTOR GEAR/AXLE SUPPORT	11
FRONT AXLE	12
BRAKE/REAR MOWER LIFT ASSEMBLY	13
ENGINE/THROTTLE	14
GROUND DRIVE	15
TRANSAXLE	16
MOWER LIFT LEVER	17
MOWER DECK	18-19
DECALS	20



SERVICE POLICY WARRANTY



Issued January 1980
Revised January 1991

LIMITED WARRANTIES FOR NEW PEERLESS GEAR POWER TRAIN COMPONENTS

A. Products Warranted

Peerless Gear and Machine Division of Tecumseh Products Company ("Tecumseh"), subject to the limitations contained below, will, at its option, repair or replace, without charge for parts or labor only, any part of a new Power Train Component (which as used herein means and includes the transaxle, gear box, transmission, differential and right angle drives, and any part of the Power Train Component), EXCEPT any new Power Train Component incorporated in equipment used for commercial or rental purposes, which is found upon examination by any Tecumseh Authorized Service Outlet or by Tecumseh's factory in Grafton, Wisconsin, to be DEFECTIVE IN MATERIAL AND/OR WORKMANSHIP if received by Tecumseh or a Tecumseh Authorized Service Outlet for such examination within TWO YEARS from the date of sale to the original consumer purchaser of Peerless Series 820, 900, 910, 915, 920, 930 transaxles and Series 1100 angle drive and ONE YEAR for all other Peerless products. New Power Train Components incorporated in equipment used for commercial purposes are warranted in the same manner and to the same extent EXCEPT such Power Train Components are warranted for NINETY (90) DAYS ONLY, and must be received by Tecumseh or by a Tecumseh Authorized Service Outlet for such examination within 90 days from the date of sale to the original purchaser. New Power Train Components Incorporated in equipment used for rental purposes are warranted in the same manner and to the same extent EXCEPT such Power Train Components are warranted for THIRTY (30) DAYS ONLY, and must be received by Tecumseh or a Tecumseh Authorized Service Outlet within 30 days from the date of sale to the original purchaser.

B. Products And Items Not Warranted

1. Alterations or Modifications of Power Train Components.
2. Accidents, Normal Maintenance, Failure to follow the Original Equipment Manufacturer's Manual.

This warranty covers only parts of new Power Train Components which are found upon examination to be defective in material or workmanship as delivered to the original purchaser. This warranty does not cover defects caused by depreciation or damage caused by normal wear, accidents, improper maintenance, improper use or abuse of the product, failure to follow the instructions contained in an Instruction Manual for the operation of the Power Train Component and parts. The cost of normal maintenance and replacement of service items which are not defective shall be paid for by the original purchaser.

C. Securing Warranty Service

Warranty service can be arranged for by contacting either a Tecumseh Authorized Service Outlet (any Tecumseh Registered Service Dealer, Tecumseh Authorized Service Distributor, or Tecumseh Central Warehouse Distributor) or by contacting Tecumseh, c/o Service Manager, Engine and Transmission Group Service Division, 900 North Street, Grafton, Wisconsin 53024. Warranty service can only be performed by a Tecumseh Authorized Service Outlet or by Tecumseh at its factory in Grafton, Wisconsin. At the time of requesting warranty service, evidence must be presented of the date of sale to the original purchaser. The purchaser shall pay any charges for making service calls and/or for transporting the product to and from the place where the inspection and/or warranty work is performed. The purchaser shall be responsible for any damage or loss incurred in connection with the transportation of Power Train Components and/or part(s) of the Power Train Components submitted for inspection and/or warranty work.

D. Limitation of Damages and Implied Warranties

The foregoing EXPRESSED WARRANTY IS IN LIEU OF ALL OTHER EXPRESS WARRANTIES. Neither Tecumseh nor any of its affiliates makes any warranties, representations or promises, written or oral, as to the quality of the Power Train Component or any of its parts, other than as set forth herein.

ANY IMPLIED WARRANTY OF MERCHANTABILITY OR FITNESS FOR A PARTICULAR PURPOSE, TO THE EXTENT THAT EITHER MAY APPLY TO ANY PART(S) OF POWER TRAIN COMPONENTS, SHALL BE LIMITED IN DURATION TO THE PERIODS OF THE EXPRESSED WARRANTIES DEFINED IN PARAGRAPH A HEREOF. IN NO EVENT WILL TECUMSEH BE LIABLE FOR ANY INCIDENTAL, CONSEQUENTIAL OR SPECIAL DAMAGES AND/OR EXPENSES. Some states do not allow limitations on how long an implied warranty lasts or the exclusion or limitation of incidental or consequential damages, so the above limitation(s) or exclusion(s) may not apply to you. This warranty gives you specific legal rights and you may also have other legal rights which vary from state to state.

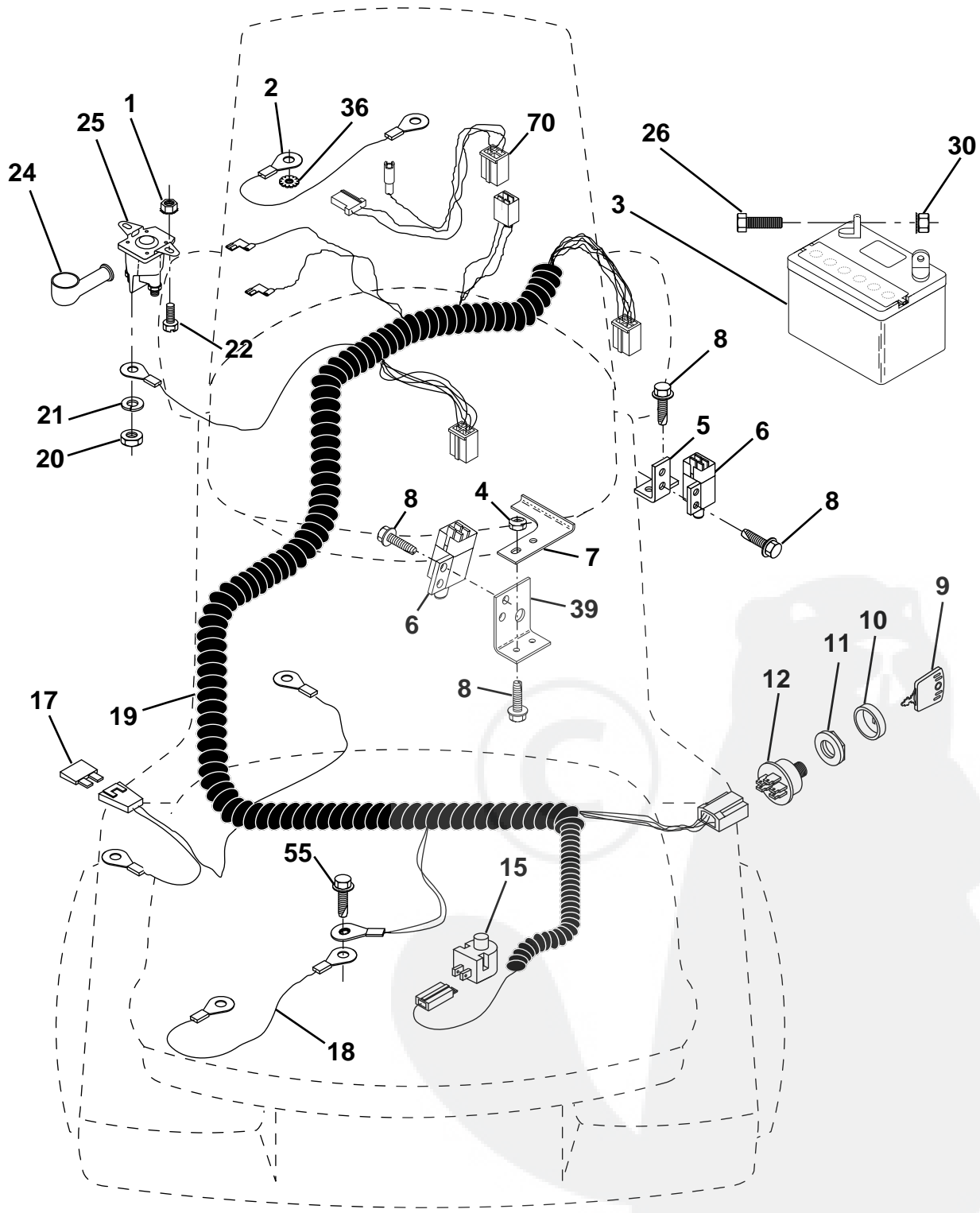
E. No Dealer Warranty

Tecumseh neither assumes nor authorizes any other person, natural or corporate, to assume for Tecumseh any other obligations or liabilities in connection with or with respect to any part(s) of a Power Train Component. The seller or dealer of part(s) of a Power Train Component has no authority, whatsoever, to make any representations or promises on behalf of Tecumseh or to modify the terms or limitations of Tecumseh's warranty in any way.

REPAIR PARTS

TRACTOR - MODEL NUMBER WZ12B36B

ELECTRICAL



REPAIR PARTS

TRACTOR - MODEL NUMBER WZ12B36B

ELECTRICAL

KEY NO.	PART NO.	DESCRIPTION
1	73640400	Nut, Hex Keps 1/4-20
2	108423X	Assembly, Cable
3	144924	Battery
4	69180	Nut, Lock #10-24 UNC
5	108236X	Bracket, Switch
6	109553X	Switch, Interlock (4-terminal)
7	146374	Keeper Actuator
8	17021008	Screw, Hex Hd. Tap #10-24 x 1/2
9	140401	Key, Steel Delta
10	141226	Cover, Key Ignition
11	140400	Nut, Ignition
12	163088	Switch, Ignition
15	121305X	Switch, Plunger
17	108824X	Fuse
18	128353	Assembly, Cable
19	166143	Harness, Ignition
20	73350400	Nut, Hex Jam 1/4-20
21	10090400	Washer, Lock 1/4
22	71110408	Bolt, Fin. Hex 1/4-20 UNC x 1/2 Gr. 5
24	131563	Cover, Terminal
25	145673	Solenoid
26	74760412	Bolt, Hex Hd. 1/4-20 UNC x 3/4
30	73510400	Nut, Keps. Hex 1/4-20 UNC
36	11150400	Washer Lock Inter. Tooth 1/4
39	141735	Bracket Switch Clutch
55	17490508	Screw Thdrol 5/1-18 x 1/2
70	166658	Harness Engine

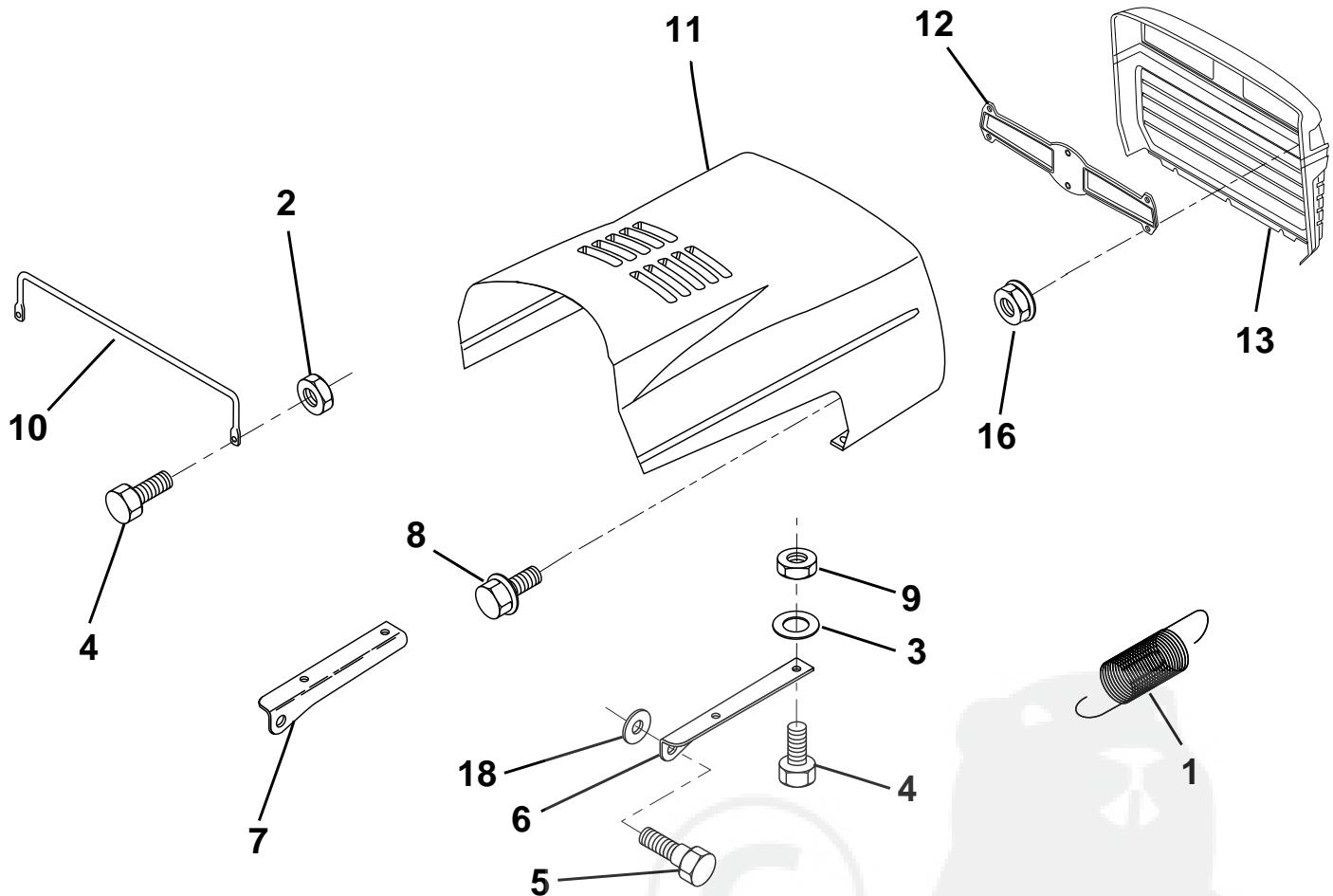
NOTE: All component dimensions given in U.S. inches.
1 inch = 25.4 mm

HARDWARE SHOWN LARGER FOR EASIER IDENTIFICATION

REPAIR PARTS

TRACTOR - MODEL NUMBER WZ12B36B

HOOD



KEY NO.	PART NO.	DESCRIPTION
1	124657X	Extension, Spring
2	73510400	Nut, Hex, Keps 1/4-20
3	19091416	Washer, 9/32 x 7/8 x 16 Ga.
4	74780412	Bolt, Hex Fin 1/4-20 x 3/4 Gr. 5
5	139888	Bolt, Shoulder
6	122549X	Bracket, Hood R. H.
7	122548X	Bracket, Hood L.H.
8	164863	Screw Hwhd Hi-Lo #13-16 x 3/4
9	73800400	Nut Lock W/Insert 1/4-20 UNC

KEY NO.	PART NO.	DESCRIPTION
10	123693X	Brace, Hood
11	132918X505	Hood
12	127178	Lens Clear Bar Dual LR P/L
13	134232X428	Grille
16	124346X	Nut Self-Thd. Wsh-Hd 1/4
18	19111116	Washer 11/32 x 11/16 x 16 Ga.

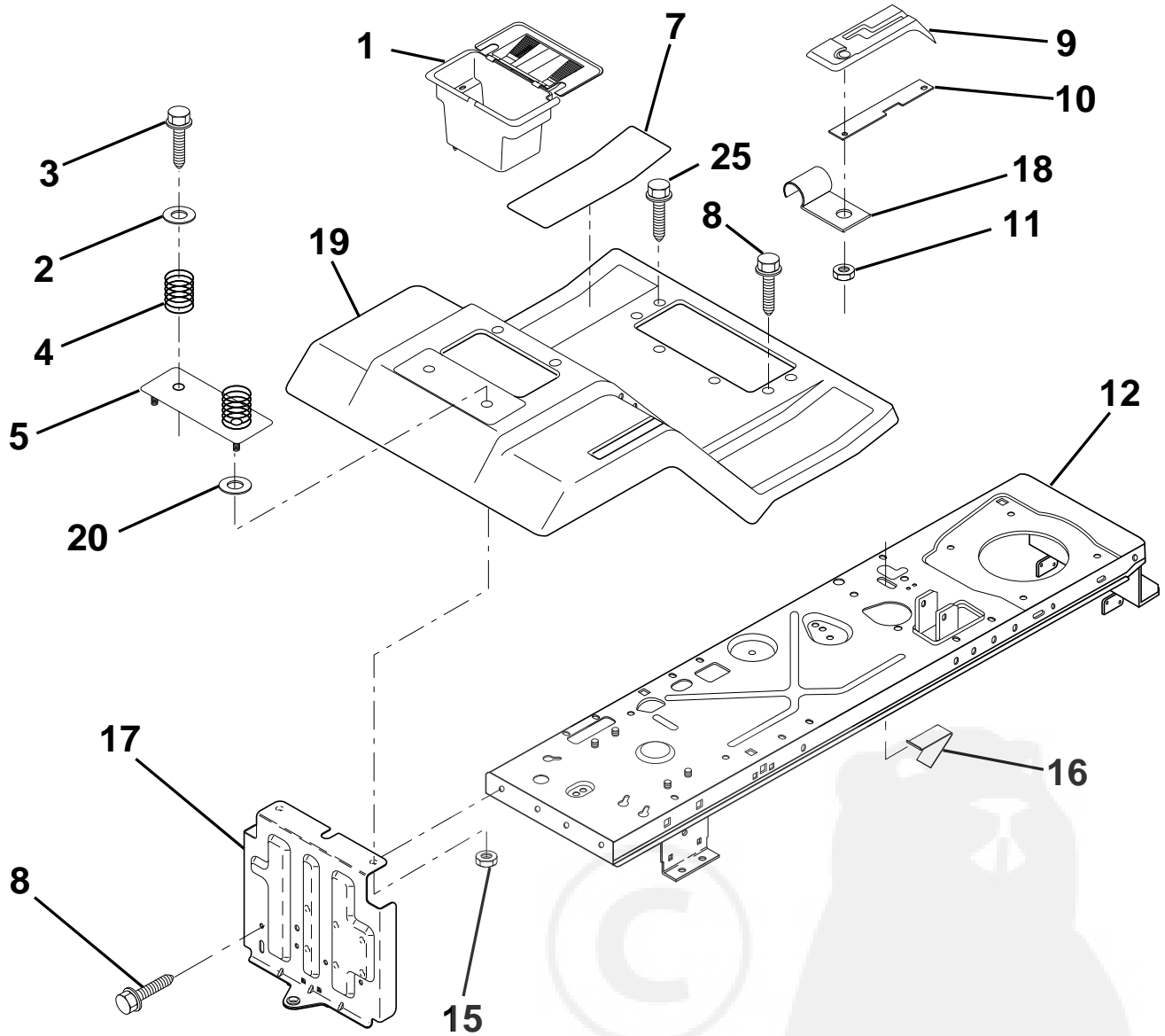
NOTE: All component dimensions given in U.S. inches.
1 inch = 25.4 mm

HARDWARE SHOWN LARGER FOR EASIER IDENTIFICATION

REPAIR PARTS

TRACTOR - MODEL NUMBER WZ12B36B

FENDER / CHASSIS



KEY NO.	PART NO.	DESCRIPTION
1	156417	Case, Battery
2	19132012	Washer 13/32 x 1-1/4 x 12 Gauge
3	17490612	Screw, Hex Washer Head, Thd. Roll. 3/8-16 x 3/4
4	124181X	Spring, Compression, Seat
5	127115X505	Plate, Battery
7	124144X	Pad, Footrest
8	17490512	Screw, Hex Washer Head, Thd. Roll. 5/16-18 x 3/4
9	126997X428	Console, Shift Control
10	139783	Bar, Shift Lock

KEY NO.	PART NO.	DESCRIPTION
11	124346X	Nut, Self-Threading 3/16
12	145190	Assembly, Frame
15	73640400	Nut, Lock Hex W/Ins. 5/16-18
16	141736	Actuator, Switch
17	140782	Drawbar
18	126470X	Clip, Insulated
19	140955X505	Fender/Footrest
20	19091413	Washer 9/32 x 7/8 x 13 Gauge
25	17190516	Screw Hex Wsh Thdrol 5/16-18 x 1

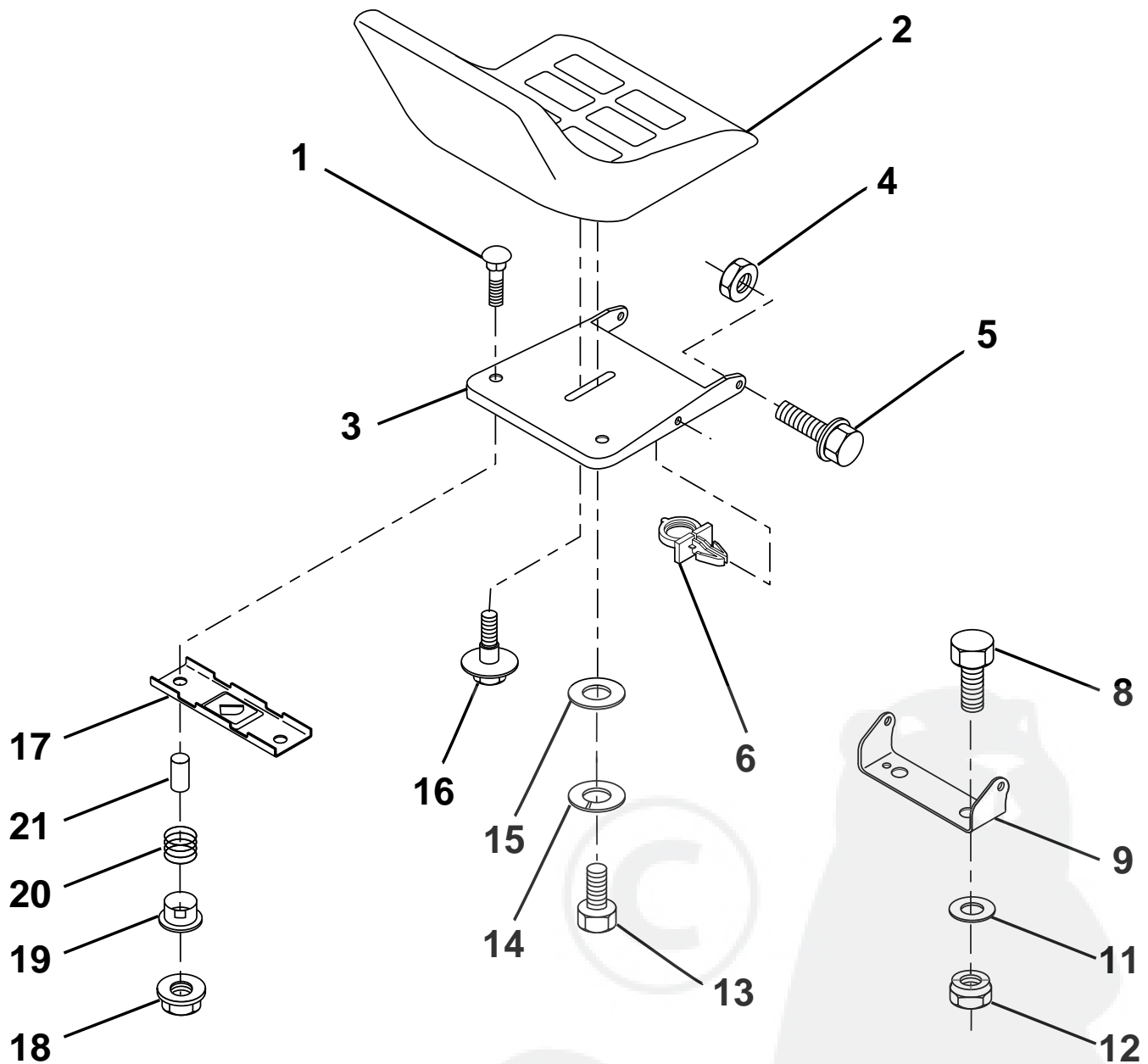
NOTE: All component dimensions given in U.S. inches.
1 inch = 25.4 mm

HARDWARE SHOWN LARGER FOR EASIER IDENTIFICATION

REPAIR PARTS

TRACTOR - MODEL NUMBER WZ12B36B

SEAT



KEY NO.	PART NO.	DESCRIPTION
1	72050412	Bolt, Carriage 1/4-20 x 1-1/2
2	127426X	Seat
3	155925	Pan, Seat
4	73800500	Nut, Lock Hex W/Ins 5/16-18
5	153236	Bolt, Shoulder 5/16-18 UNC
6	145006	Clip, Push-In
8	74760616	Bolt, Hex, Fin 3/8-16 UNC x 1
9	140551	Bracket, Pivot, Seat
11	19133210	Washer 13/32 x 2 x 10 Gauge
12	73800600	Nut, Lock Hex W/Wsh 3/8-16
13	74780814	Bolt, Fin Hex 1/2 - 13 x 7/8 Gr. 5

KEY NO.	PART NO.	DESCRIPTION
14	10040800	Washer Lock Hvy HLCL Spr. 1/2
15	19171912	Washer 17/32 x 13/16 x 12 Gauge
16	127018X	Bolt, Shoulder
17	121246X	Bracket, Switch, Mounting
18	123976X	Locknut, Hex, Large, Flange
19	121248X	Bushing, Snap
20	121250X	Spring, Compression
21	134300	Spacer, Split, Large .28 Id. x .96

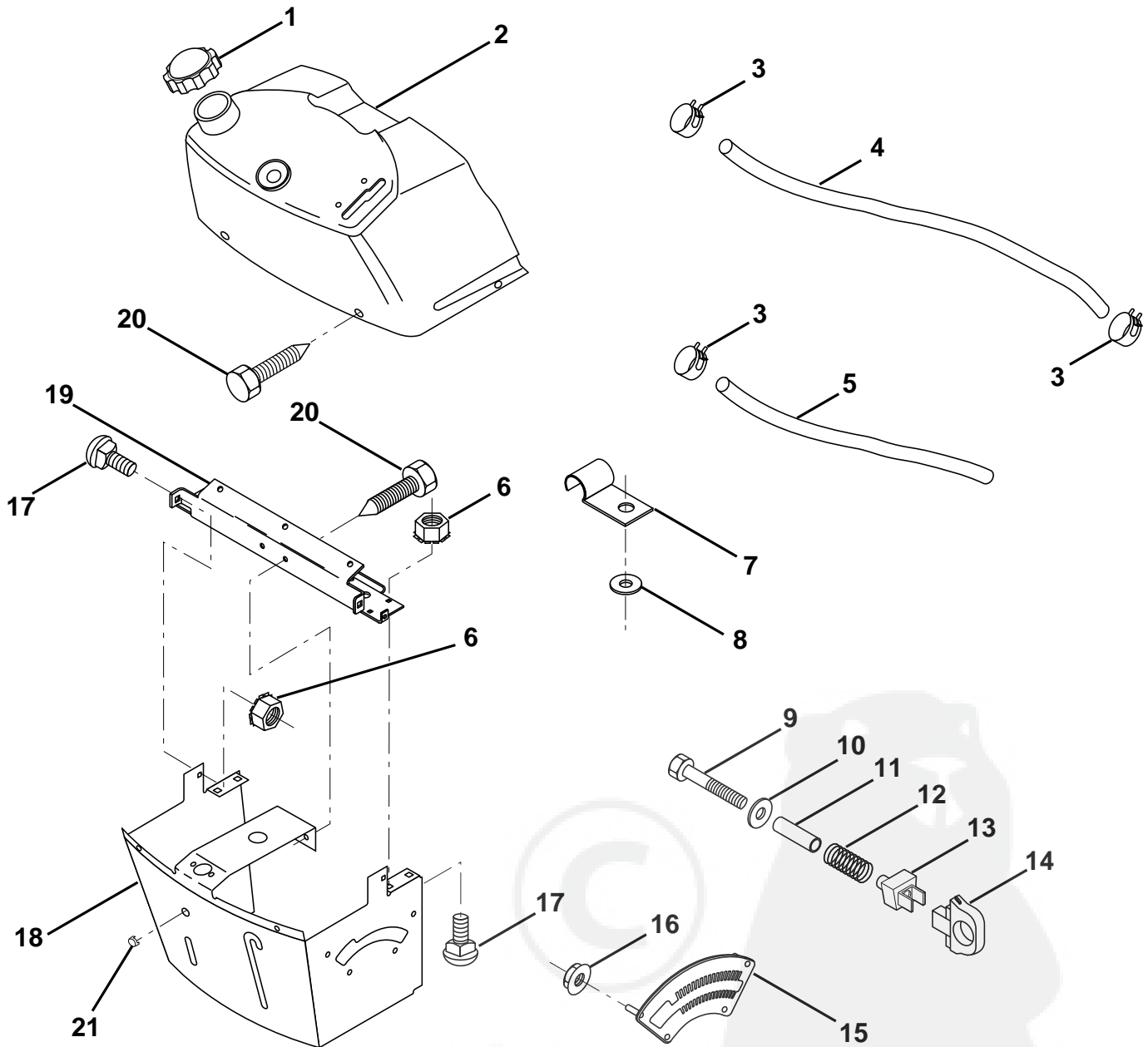
NOTE: All component dimensions given in U.S. inches.
1 inch = 25.4 mm

HARDWARE SHOWN LARGER FOR EASIER IDENTIFICATION

REPAIR PARTS

TRACTOR - MODEL NUMBER WZ12B36B

DASHBOARD



KEY NO.	PART NO.	DESCRIPTION
1	141523	Cap, Fuel
2	138393	Assembly, Dash & Fuel Tank
3	123487X	Clamp, Hose
4	8544R	Line, Fuel
5	8548R	Line, Fuel
6	73640400	Nut, Hex, Keps 1/4-20
7	2751R	Clip, Fuel Line
8	19091216	Washer 9/32 x 3/4 x 16 Gauge
9	74760428	Bolt, Hex, Fin. 1/4-20 x 1-3/4
10	19091413	Washer 11/32 x 11/16 x 16 Gauge
11	121249X	Spacer, Split

KEY NO.	PART NO.	DESCRIPTION
12	3720R	Spring
13	126450X	Clip, Height Adjustment
14	126115X	Knob, Height Stop
15	122023X	Adjustment, Quadrant Height
16	124346X	Nut, Self-Threading 3/16-18
17	72110404	Bolt, Carriage 1/4-20 x 1/2 Grade 5
18	130745	Support Assembly, Dash
19	134744	Brace, Cross
20	17060408	Screw, Self-Tapping 1/4-20 x 1/2
21	134014	Plug, Dome

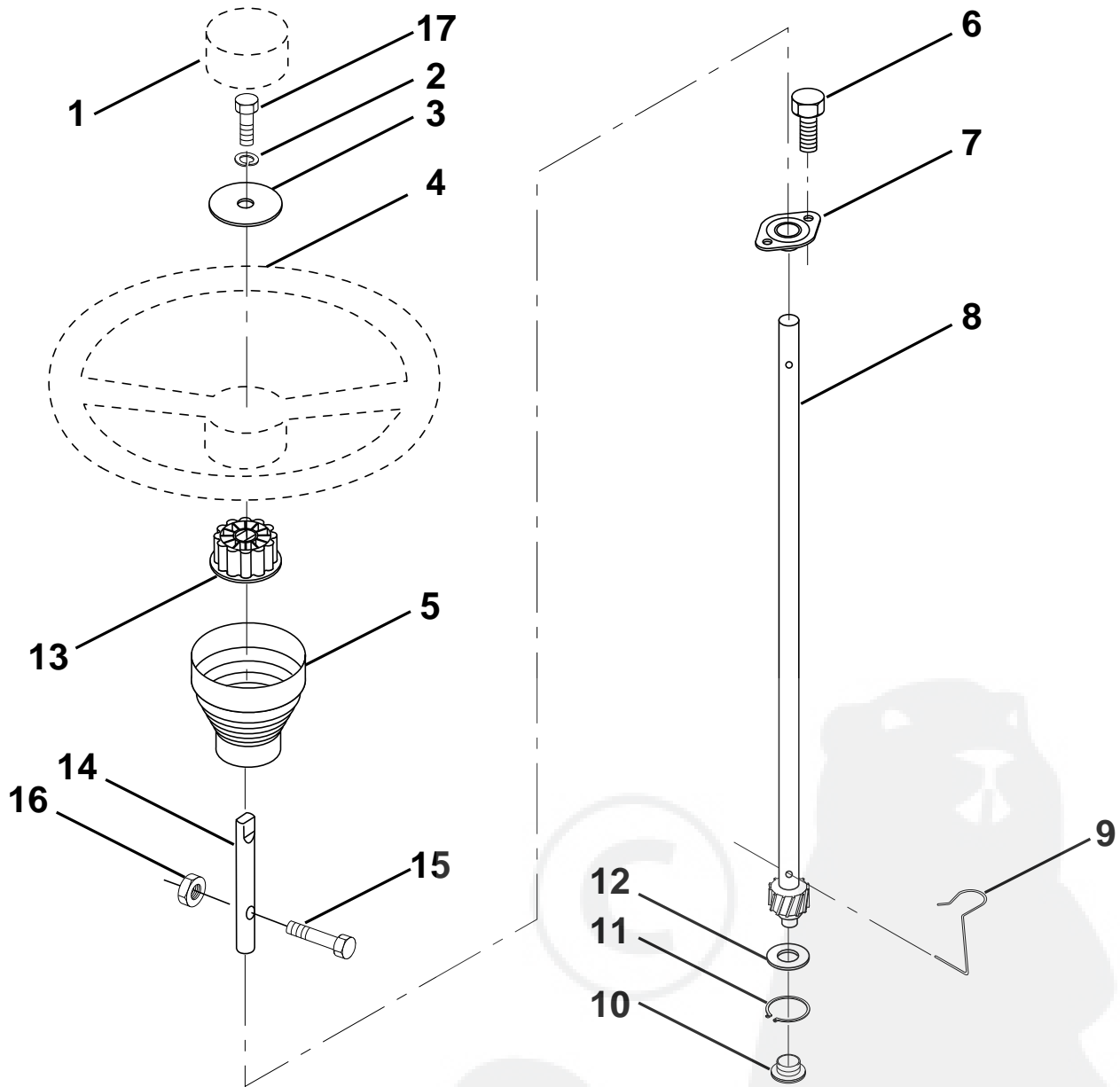
NOTE: All component dimensions given in U.S. inches.
1 inch = 25.4 mm

HARDWARE SHOWN LARGER FOR EASIER IDENTIFICATION

REPAIR PARTS

TRACTOR - MODEL NUMBER WZ12B36B

STEERING WHEEL



KEY NO.	PART NO.	DESCRIPTION
1	133742	Insert, Steering Wheel
2	10040600	Washer Lock Hvy Hcl
3	19133808	Washer 13/32 x 2-3/8 x 8 Ga.
4	133741	Wheel, Steering
5	121897X	Sleeve, Steering
6	152927	Screw, TT #10-32 5 3/8 Flange
7	155104	Bushing, Steering
8	147391	Shaft, Steering
9	124210X	Clip, Steering
10	123438X	Bushing, Lower, Steering

KEY NO.	PART NO.	DESCRIPTION
11	12000045	Ring, Retaining
12	19211616	Washer 21/32 x 1 x 16 Ga.
13	100711L	Adaptor, Steering Wheel
14	153720	Extension, Shaft, Steering
15	74780520	Bolt, Fin, Hex 5/16-18unc x 1-1/4
16	73800500	Nut, Lock Hex W/Ins 5/16-18 UNC
17	74780616	Bolt, Fin Hex 3/8-16 UNC x 1

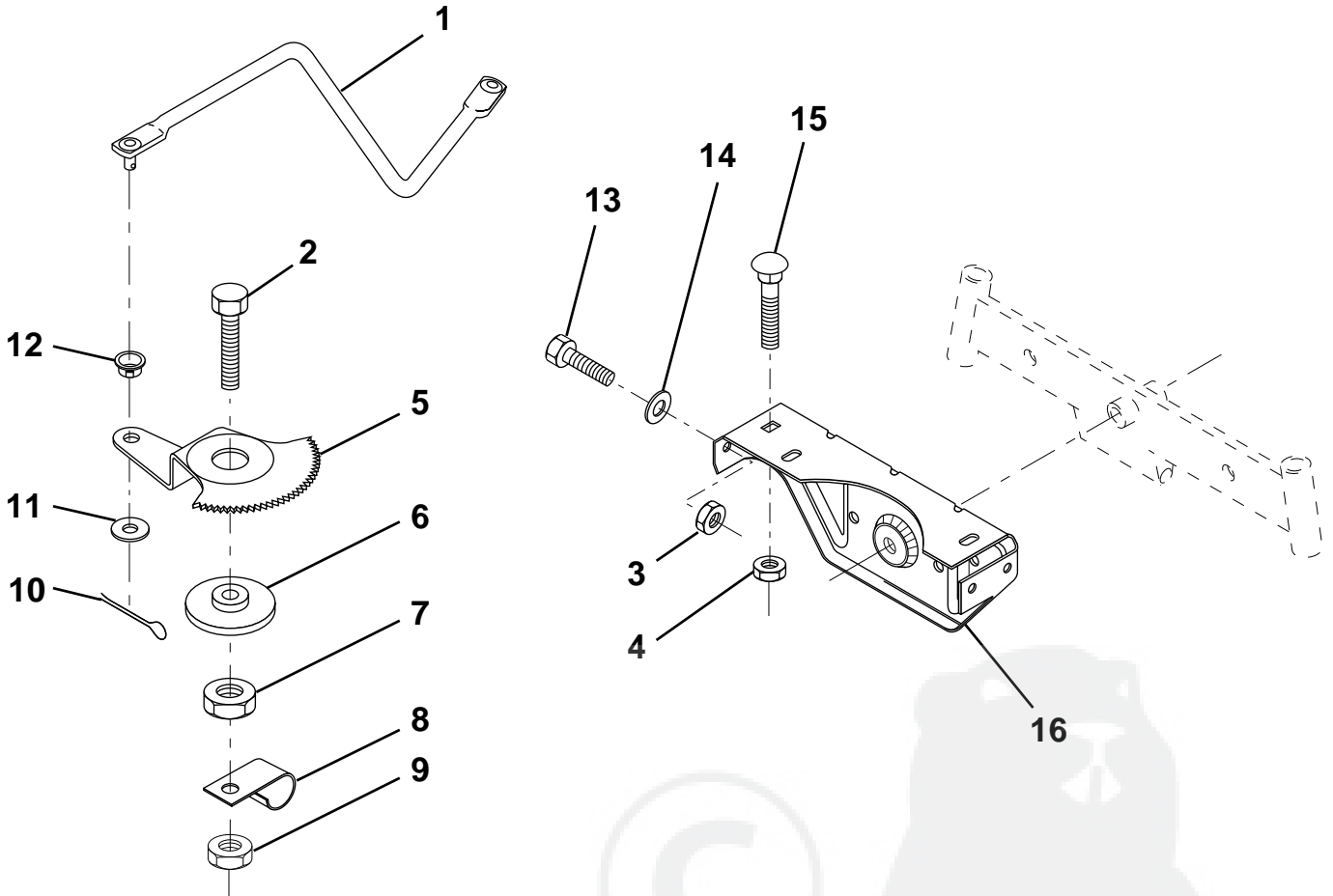
NOTE: All component dimensions given in U.S. inches
1 inch = 25.4 mm

HARDWARE SHOWN LARGER FOR EASIER IDENTIFICATION

REPAIR PARTS

TRACTOR - MODEL NUMBER WZ12B36B

SECTOR GEAR / AXLE SUPPORT



KEY NO.	PART NO.	DESCRIPTION
1	132566	Link, Drag
2	74780828	Bolt, Hex, Fin 1/2-13 x 1-3/4
3	73680500	Nut, Crownlock 5/16-18
4	73680600	Nut, Crownlock 3/8-16 UNC
5	121926X	Gear, Sector
6	121927X	Bushing
7	73030800	Nut, Heavy, Hex, Top Lock 1/2-13 UNC
8	126472X	Clip, Wire
9	73680800	Nut, Crownlock 1/2-13

KEY NO.	PART NO.	DESCRIPTION
10	76020412	Pin, Cotter 1/8 x 3/4
11	19131316	Washer 13/32 x 13/16 x 16 Ga.
12	126847X	Bushing
13	74760512	Bolt, Hex 5/16-18 x 3/4
14	19111416	Washer 11/32 x 7/8 x 16 Ga.
15	72110606	Bolt, Carriage 3/8-16 UNC x 3/4
16	137096	Support, Front Axle

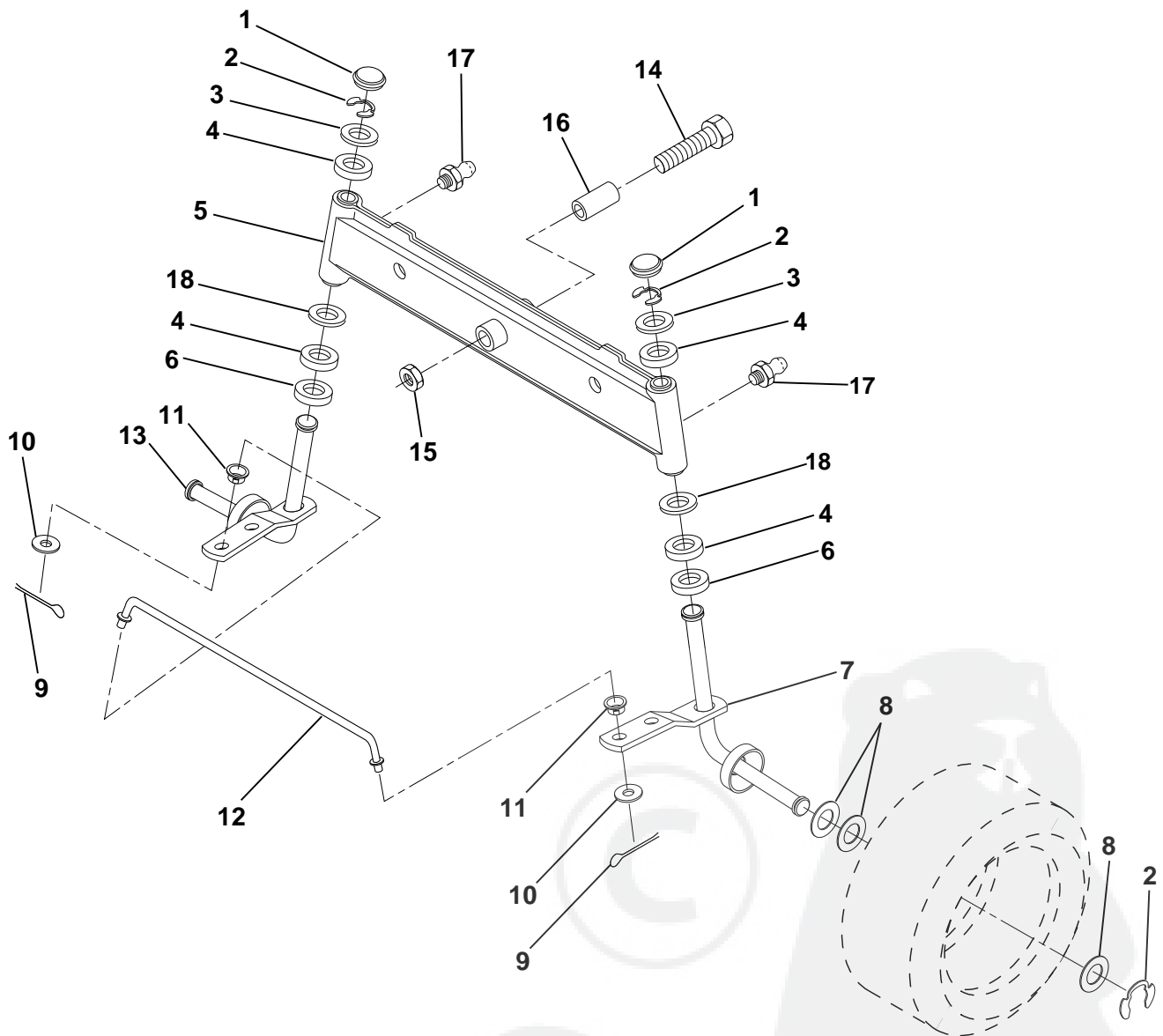
NOTE: All component dimensions given in U.S. inches
1 inch = 25.4 mm.

HARDWARE SHOWN LARGER FOR EASIER IDENTIFICATION

REPAIR PARTS

TRACTOR - MODEL NUMBER WZ12B36B

FRONT AXLE



KEY NO.	PART NO.	DESCRIPTION
1	121232X	Cap, Spindle
2	12000029	Ring, Klip
3	121748X	Washer 25/32 x 1-5/8 x 16 Gauge
4	3366R	Bearing
5	142033	Axle, Front
6	6266H	Bearing, Thrust
7	161826	Spindle Assembly, R.H.
8	121749X	Washer 25/32 x 1-1/4 x 16 Gauge
9	76020412	Pin, Cotter 1/8 x 3/4
10	19131316	Washer 13/32 x 13/16 x 16 Gauge

KEY NO.	PART NO.	DESCRIPTION
11	126847X	Bushing
12	130465	Rod, Tie
13	161827	Spindle Assembly, L.H.
14	74011056	Bolt Hex 5/8-11 x 3-1/2
15	73901000	Nut, Lock Flange 5/8-11
16	110438X	Spacer, Bearing Axle
17	6855M	Fitting Grease
18	19272016	Washer 27/32 x 1-1/4 x 16 Ga.

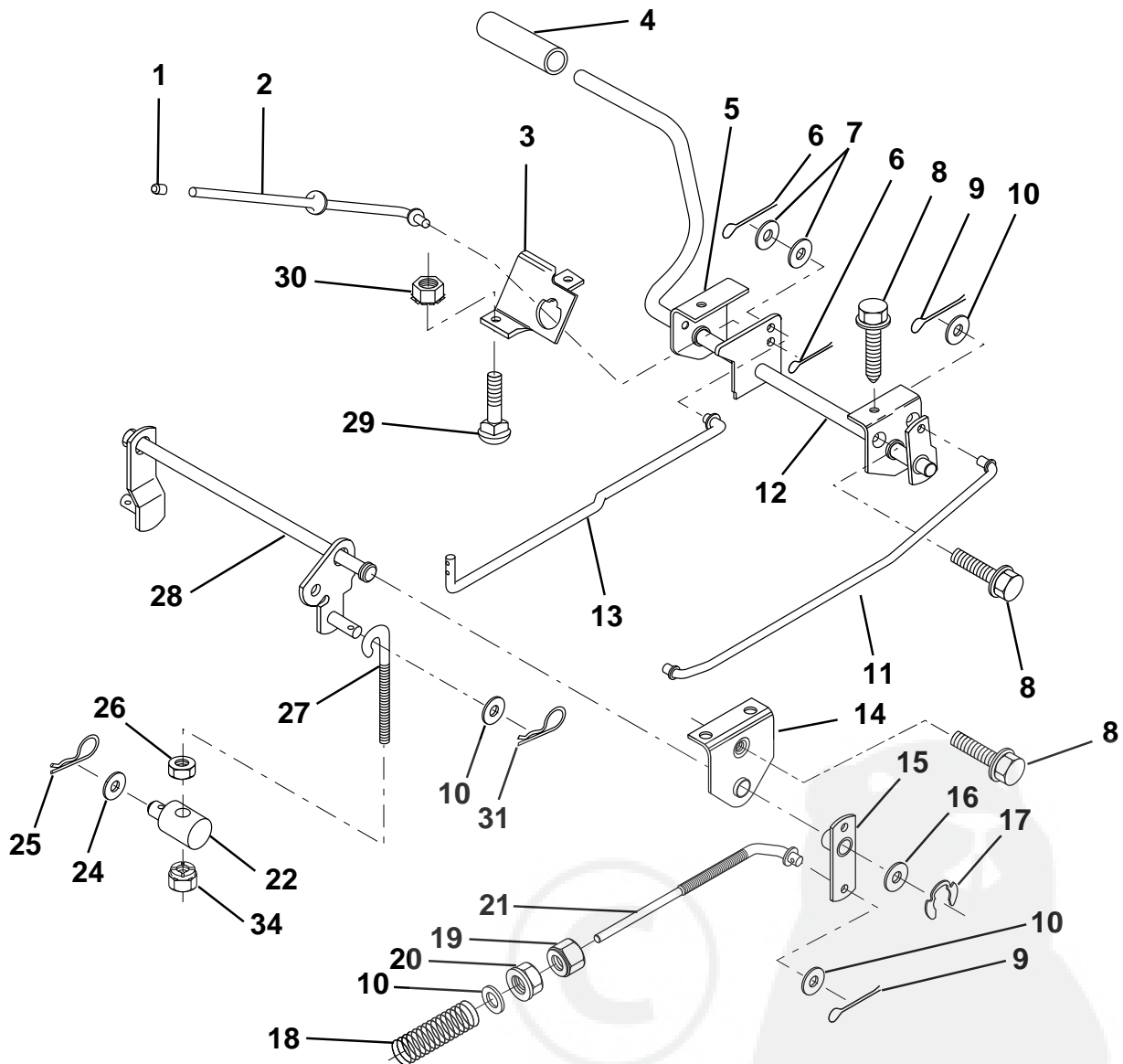
NOTE: All component dimensions given in U.S. inches
1 inch = 25.4 mm

HARDWARE SHOWN LARGER FOR EASIER IDENTIFICATION

REPAIR PARTS

TRACTOR - MODEL NUMBER WZ12B36B

BRAKE / REAR MOWER LIFT ASSEMBLY



KEY NO.	PART NO.	DESCRIPTION	KEY NO.	PART NO.	DESCRIPTION
1	71673	Cap, Parking Brake	17	12000034	Ring, Klip
2	123436X	Rod, Parking Brake	18	151332	Spring, Brake Rod
3	123437X	Bracket, Parking Brake	19	73350600	Nut, Hex, Jam 3/8-16 UNC
4	8156H	Cover, Pedal	20	73800600	Nut, Lock, Hex W/Ins 3/8-16 UNC
5	122504X	Bracket, Pedal, Clutch LH	21	131460	Rod, Rear Brake
6	76020312	Pin, Cotter 3/32 x 3/4	22	144585	Trunnion, Lift
7	19131016	Washer 13/32 x 5/8 x 16 Gauge	24	19132012	Washer 13/32 x 1-1/4 x 12 Gauge
8	17490508	Screw, Hex, Thd. Roll. 5/16-18 x 1/2	25	4921H	Spring, Retainer
9	76020412	Pin, Cotter 1/8 x 3/4	26	73930600	Nut, Centerlock 3/8-16 UNC
10	19131316	Washer 13/32 x 13/16 x 16 Gauge	27	127369	Link, Threaded
11	123543X	Rod, Front Brake	28	140776	Assembly, Rear Mower Lift
12	139933	Assembly, Clutch/Brake Pedal	29	72110506	Bolt, Carriage 5/16-18 UNC x 3/4
13	123394X	Rod, Clutch	30	73510500	Nut, Keps 5/16-18 UNC
14	121978X	Bracket, Lift, Shaft	31	3146R	Retainer, Spring
15	133332	Assembly, Brake, Pivot, Arm	34	73680600	Nut, Lock Hex W/Wsh 3/8-16
16	19251816	Washer 25/32 x 1-1/8 x 16 Gauge			

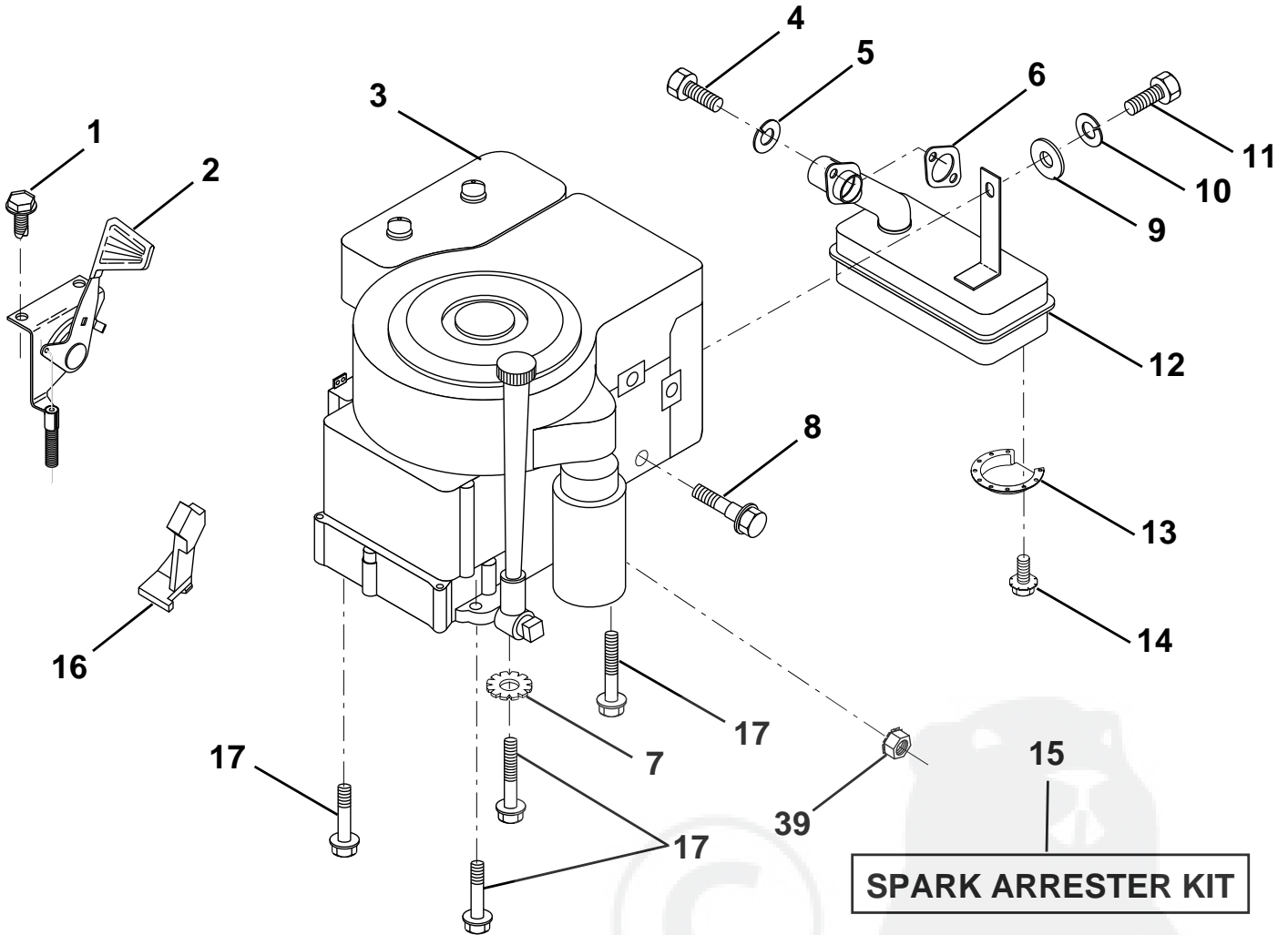
NOTE: All component dimensions given in U.S. inches
1 inch = 25.4 mm

HARDWARE SHOWN LARGER FOR EASIER IDENTIFICATION

REPAIR PARTS

TRACTOR - MODEL NUMBER WZ12B36B

ENGINE / THROTTLE



KEY NO.	PART NO.	DESCRIPTION
1	17060408	Screw, Hex, Thread Cutting 1/4-20 x 1/2
2	133025	Control, Throttle
3	-----	Engine, B&S, #289707
4	71070512	Screw, Hex Hd
5	10040500	Washer, Lock, Heavy Helical Spring 5/16
6	165291	Gasket, Exhaust
7	11050600	Washer Lock Ext. Tooth 3/8
8	121094X	Bolt, Shoulder 5/16 UNC
9	19101216	Washer 5/16 x 3/4 x 16 Gauge
10	10040400	Washer, Lock, Heavy Helical Spring 1/4
11	---	Bolt, Hex Head, Fin. (Order from Engine Manufacturer)

KEY NO.	PART NO.	DESCRIPTION
12	137437	Muffer
13	101326L	Deflector, Muffer
14	17030808	Screw, Hex Head, Spiderlock #8 x 1/2
15	137180	Kit, Spark Arrester (Optional)
16	127951	Stop, Choke
17	17490624	Screw, Hex Washer Head, Thd. Roll. 3/8-16 x 1-1/2
39	128861	Nut, Flange 1/4-20

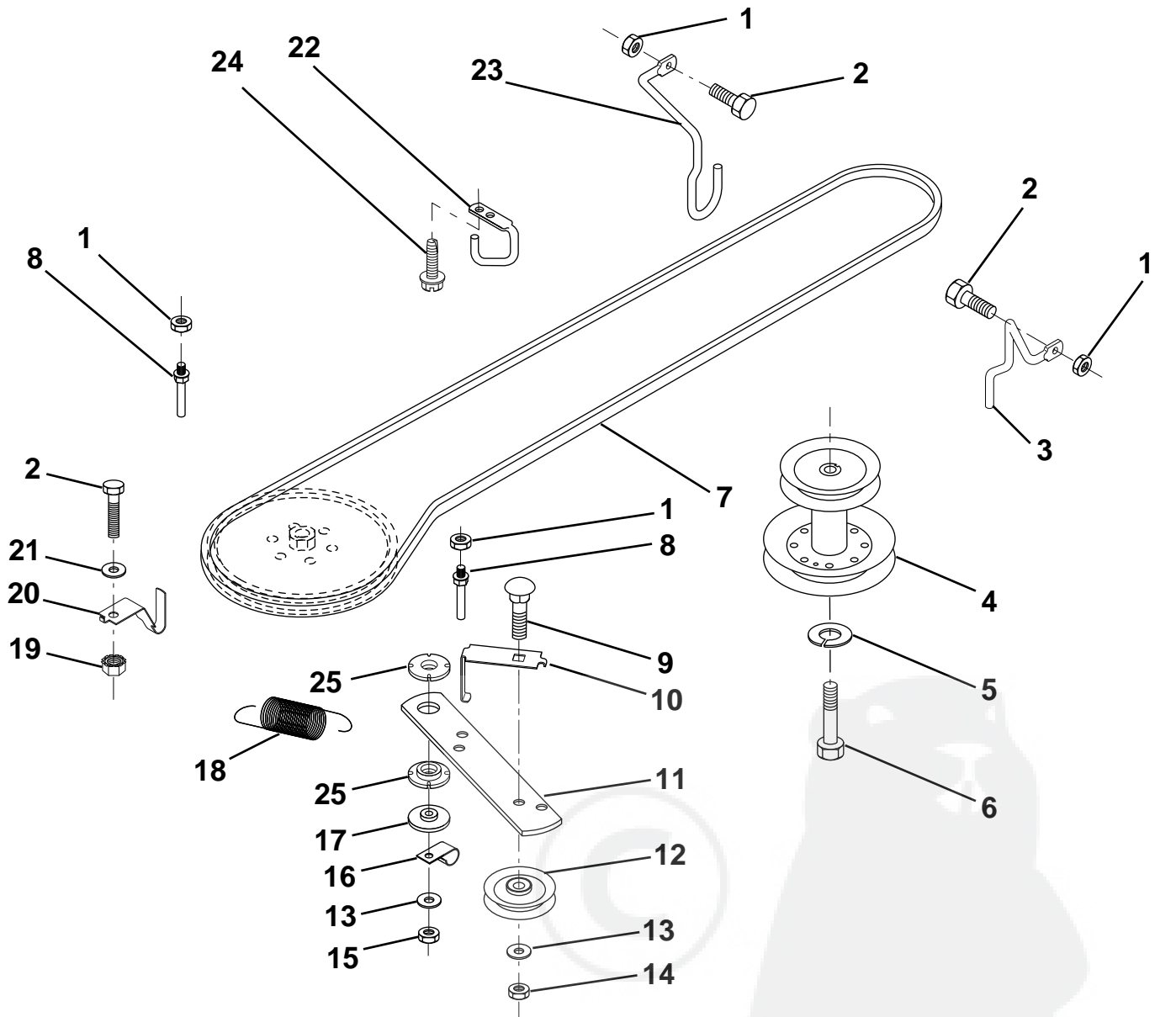
NOTE: All component dimensions given in U.S. inches
1 inch = 25.4 mm

HARDWARE SHOWN LARGER FOR EASIER IDENTIFICATION

REPAIR PARTS

TRACTOR - MODEL NUMBER WZ12B36B

GROUND DRIVE



KEY NO.	PART NO.	DESCRIPTION	KEY NO.	PART NO.	DESCRIPTION
1	73680500	Nut, Lock Hex W/Ins 5/16-18	14	73930600	Nut, Centerlock 3/8-16 UNC
2	74760512	Bolt, Hex 5/16-18 UNC x 3/4	15	73680600	Nut, Lock Hex w/Wsh 3/8-16
3	141342	Keeper, Mower Drive Belt, Engine, R.H.	16	126471X	Clip, Insulated
4	138029	Pulley, Engine	17	150932	Spacer, Retainer
5	10040700	Washer, Lock, Heavy Helical Spring 7/16	18	131459	Spring, Extension
6	71170744	Bolt, Hex, 7/16-20 x 2-3/4 Grade 5	19	73510500	Nut, Keps 5/16-18 UNC
7	126520X	Traction, V-Belt Drive	20	139919	Keeper, T/A Ground Drive Belt
8	123405X	Keeper, T/A Ground Drive Belt	21	19111016	Washer 11/32 x 5/8 x 16 Gauge
9	72140612	Bolt, Carriage 3/8-16 UNC x 1-1/2	22	123404X	Keeper, Ground Drive Belt, Frame
10	123396X	Keeper, Ground Drive Belt, Idler	23	140916	Keeper, Mower Drive Belt, L.H.
11	150926	Arm, Ground Drive Clutch	24	17720408	Screw, Thread Cutting 1/4-20 x 1/2
12	123674X	Idler, Flat	25	150935	Bushing, Nylon
13	19131316	Washer 13/32 x 13/16 x 16 Gauge			

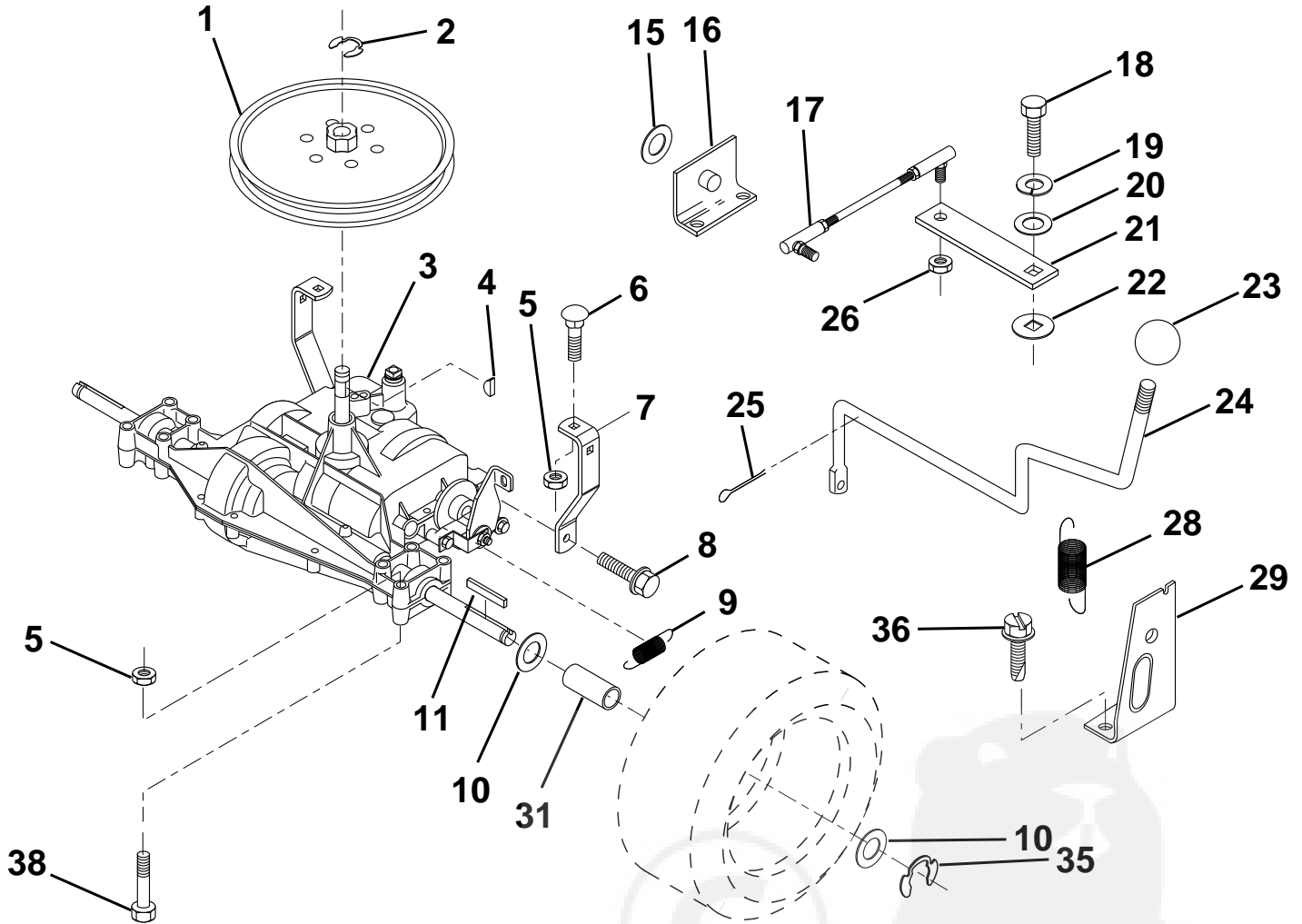
NOTE: All component dimensions given in U.S. inches
1 inch = 25.4 mm

HARDWARE SHOWN LARGER FOR EASIER IDENTIFICATION

REPAIR PARTS

TRACTOR - MODEL NUMBER WZ12B36B

TRANSAXLE



KEY NO.	PART NO.	DESCRIPTION	KEY NO.	PART NO.	DESCRIPTION
1	123385X	Pulley	20	19091210	Washer 9/32 x 3/4 x 10 Gauge
2	1200028	Ring, Retainer	21	126292X	Arm, Shift
3	-----	Transaxle (See Breakdown)	22	105701X	Washer, Shift Plate
4	2228M	Key, Woodruff #9	23	106933X	Knob, Deluxe
5	73680500	Nut, Lock Hex 5/16-18	24	128215	Rod, Shift
6	72140506	Bolt, Carriage 5/16-18 UNC x 3/4	25	76020416	Pin, Cotter 1/8 x 1
7	123378X	Strap, Torque	26	73810500	Nut, Hex, Nylon 5/16-24 UNF
8	17490512	Screw 5/16-18 x 3/4	28	128085	Spring, Extension
9	146682	Spring, Brake	29	128084	Support, Handle, Shift, R.H.
10	121749X	Washer 25/32 x 1-1/4 x 16 Gauge	31	137057	Spacer, Split
11	123583X	Key, Square	35	12000001	E-Ring
15	19171616	Washer 17/32 x 16 Ga.	36	17720408	Screw, Thdcut. 1/4-20 x 1/2
16	124600X	Support, Handle Shift	38	74490540	Bolt, Hex, Flgnd 5/16-18
17	126293X	Link, Shift			
18	74550412	Bolt, Hex, Fin 1/4-28 UNF x 3/4 Gr. 8			
19	10040400	Washer, Lock 1/4			

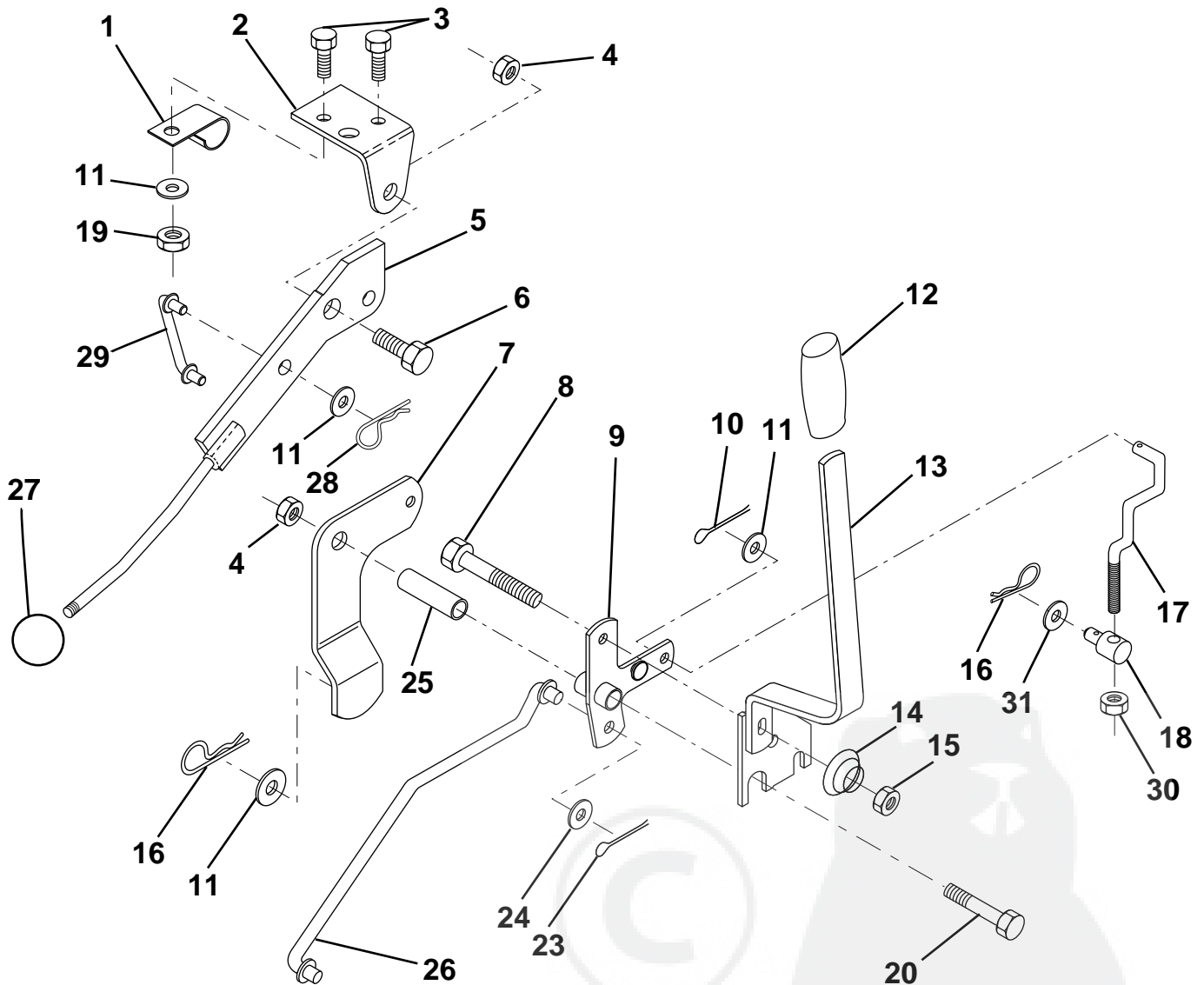
NOTE: All component dimensions given in U.S. inches
1 inch = 25.4 mm

HARDWARE SHOWN LARGER FOR EASIER IDENTIFICATION

REPAIR PARTS

TRACTOR - MODEL NUMBER WZ12B36B

MOWER LIFT LEVER



KEY NO.	PART NO.	DESCRIPTION	KEY NO.	PART NO.	DESCRIPTION
1	126470X	Clip, Insulated	16	4921H	Retainer, Spring
2	122018X	Bracket, Mower Clutch	17	127359	Link, Front Lift
3	71110408	Bolt, Hex, Fin 1/4-20 UNC x 1/2 Grade 5	18	142028	Trunnion, Threaded 3/8-16
4	73680600	Nut, lock Hex W/Wsh 3/8-16	19	73680400	Nut, Crownlock 1/4-20
5	145187	Assembly, Clutch Lever	20	74760644	Bolt, Hex, Fin. 3/8-16 UNC x 2-3/4
6	106451X	Bolt, Shoulder	23	76020416	Pin, Cotter 1/8 x 1
7	135371	Assembly, Mower Clutch Arm	24	19171612	Washer 17/32 x 1 x 12 Gauge
8	74760636	Bolt, Hex 3/8-16 UNC x 2-1/4	25	121933X	Tube, Spacer
9	121930X	Assembly, Bellcrank, Lift	26	141470	Rod, Mower Lift
10	76020412	Pin, Cotter 1/8 x 3/4	27	106932X	Knob, Rd
11	19131316	Washer 13/32 x 13/16 x 16 Gauge	28	76020312	Pin, Cotter 3/32 x 3/4
12	131861	Sleeve, Handle	29	131655	Link, Mower Clutch
13	139352	Assembly, Lift Handle	30	73350600	Nut, Hex Jam 3/8-16
14	123496X	Spring, Compression	31	19132012	Washer 13/32 X 1-1/4 X 12 Gauge
15	19131212	Washer 13/32 x 3/4 x 12 Gauge			

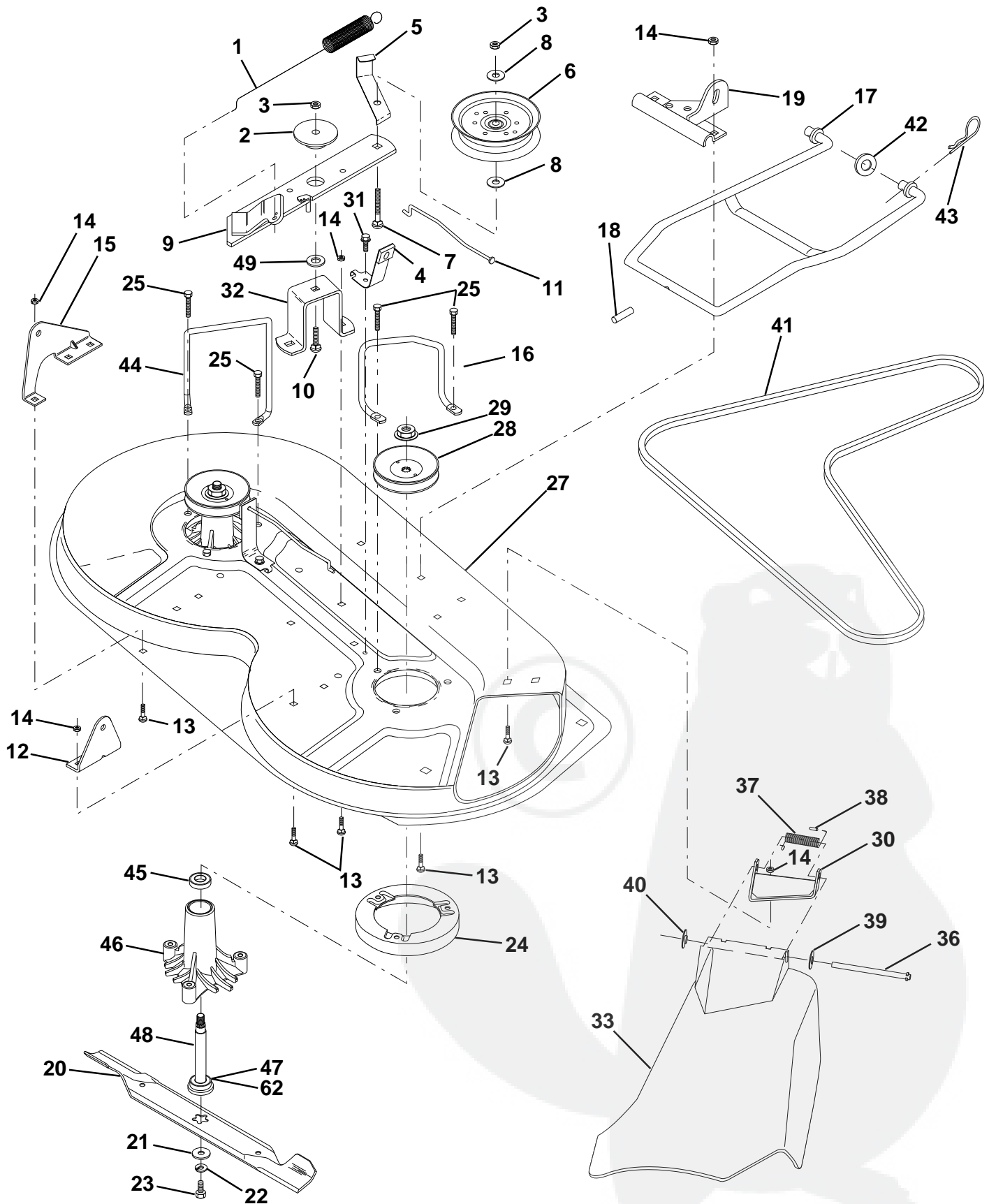
NOTE: All component dimensions given in U.S. inches
1 inch = 25.4 mm

HARDWARE SHOWN LARGER FOR EASIER IDENTIFICATION

REPAIR PARTS

TRACTOR - MODEL NUMBER WZ12B36B

MOWER DECK



REPAIR PARTS

TRACTOR - MODEL NUMBER WZ12B36B

MOWER DECK

KEY NO.	PART NO.	DESCRIPTION
1	140064	Spring, Mower Clutch
2	122052X	Spacer, Retainer
3	73680600	Nut, Lock Hex W/Wsh 3/8-16
4	130840	Assembly, Brake
5	131251	Guide, Belt Idler
6	121316X	Idler, Flat
7	72110616	Bolt, Carriage 3/8-16 x 2 Grade 5
8	19131410	Washer 13/32 x 7/8 x 10 Gauge
9	127744	Assembly, Mower Idler Arm
10	72140610	Bolt, Carriage 3/8-16 UNC x 1-1/4
11	130841	Rod, Brake
12	127356	Bracket, Rear Lift, R.H.
13	72140506	Bolt, Carriage 5/16-18 UNC x 3/4
14	73680500	Nut, Lock Hex W/Ins. 5/16-18
15	127357	Bracket, Rear Lift, L.H.
16	153298	Keeper, R.H.
17	128508	Stabilizer, Mower Link
18	128511	Pin, Drive
19	127380	Bracket, Stabilizer Link
20	138496	Blade
21	140296	Washer, Hard
22	10030600	Washer, Lock, Heavy 3/8
23	850857	Bolt 3/8-24 x 1-1/4 Grade 8
24	140329	Stripper
25	157722	Screw, Thdrol Hex Head
27	156600	Housing, Mower
28	153531	Pulley, Mandrel
29	137266	Nut, Flangelock 9/16
30	136631	Bracket, Deflector
31	17490508	Screw, Hex Washer Head, Thd. Roll. 5/16-18 x 1/2
32	122051X	Arm, Support Idler, Mower
33	131560	Shield, Deflector
36	121980X	Rod, Hinge
37	123713X	Spring, Torsion Deflector
38	105304X	Cap, Sleeve
39	19111016	Washer 11/32 x 5/8 x 16 Gauge
40	110452X	Nut, Push
41	131264	V-Belt
42	19171616	Washer 11/32 x 5/8 x 16 Gauge
43	3146R	Clip, Hairpin
44	140608	Keeper, L.H.
45	110485X	Bearing
46	128774	Housing, Mandrel, Vented
47	129895	Bearing
48	137645	Shaft, Mandrel (Includes Key Number 47)
49	133943	Washer, Hardened
62	153390	Washer, Felt
--	130794	Mandrel Assembly (Includes Key Numbers 21-23, 26, 29 and 45-48)
--	156866	Deck, Mower Complete

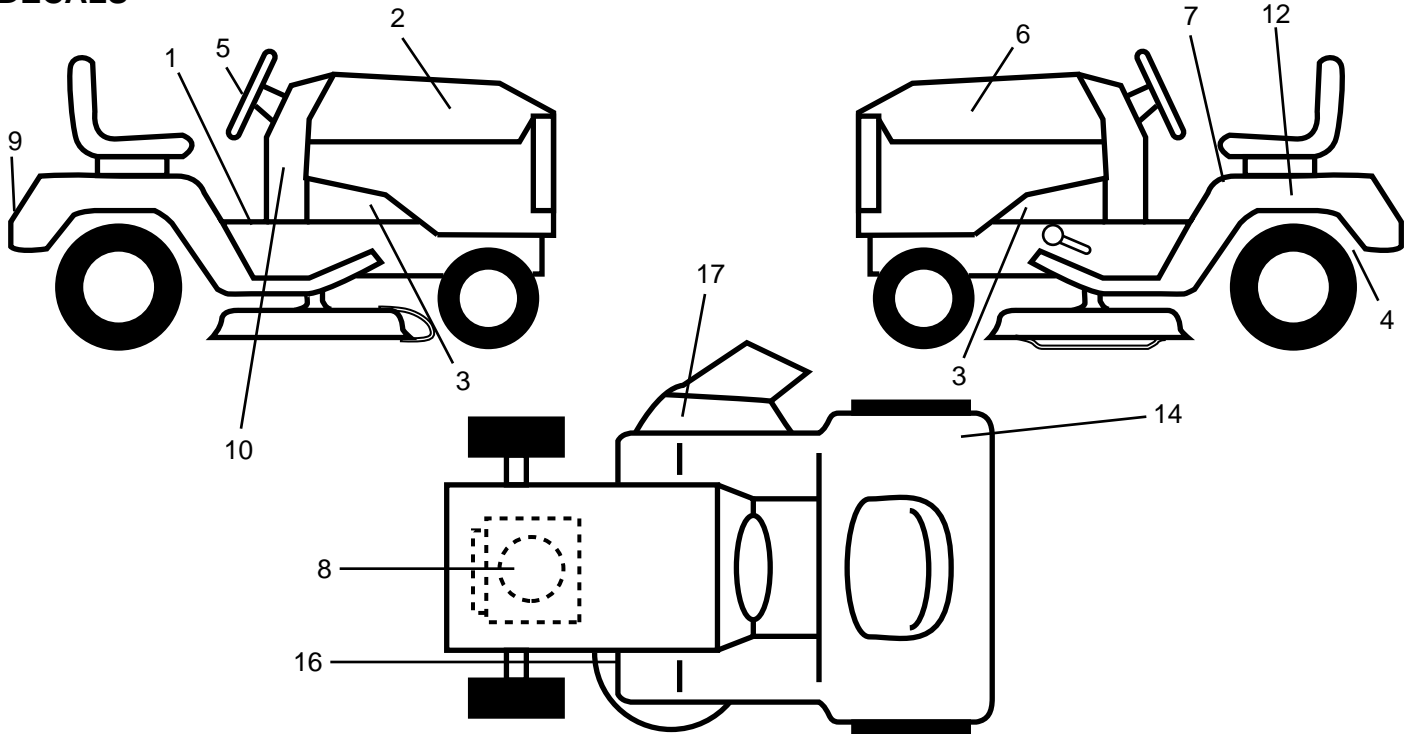
NOTE: All component dimensions given in U.S. inches
1 inch = 25.4 mm

HARDWARE SHOWN LARGER FOR EASIER IDENTIFICATION

REPAIR PARTS

TRACTOR - MODEL NUMBER WZ12B36B

DECALS



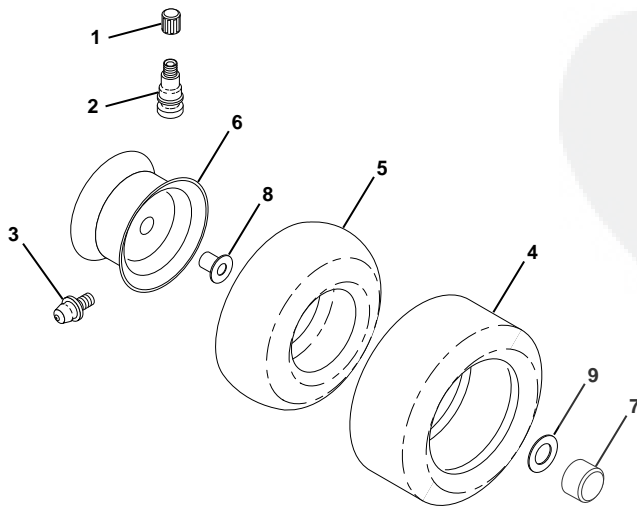
KEY NO.	PART NO.	DESCRIPTION
1	159739	Decal, Op. Instruction, Symbol (French/German/English/Dutch)
2	163773	Decal, Hood RH
3	159736	Decal, Chassis Hot Muffler
4	162598	Decal, Drawbar Load Limit
5	163770	Decal, Ins. Strg. Whl
6	163774	Decal, Hood LH
7	145498	Decal, Read, Symbol
8	165297	Decal, Engine

DESCRIPTION

KEY NO.	PART NO.	DESCRIPTION
9	163769	Decal, Fender
10	145437	Decal, Europe, Stand. Ce.
12	145005	Decal, Caution, Battery
14	126187X	Decal, 100 DbA
16	145494	Decal, Certification
17	136830	Decal, V-Belt, Schematic
--	138311	Decal, Lift Handle
--	157065	Manual, Operator's (Euro)
--	167928	Manual, Repair Parts

DESCRIPTION

TIRES & WHEELS



KEY NO.	PART NO.	DESCRIPTION
1	59192	Cap, Valve
2	65139	Stem, Valve
3	278H	Fitting, Grease (Front Only)
4	137422	Tire, Front
5	132703	Tire, Rear
5	59904	Tube, Tire, Front
5	8134H	Tube, Tire, Rear
		(Optional, Service Items Only)
6	137237X427	Rim Assembly, Front
6	140325X427	Rim Assembly, Rear
7	104757X	Cap, Axle
8	9040H	Bearing, Flange (Front Only)
9	121748X	Washer, Axle Cap
--	144334	Sealant, Tire (10 Ounce Tube)

DESCRIPTION

NOTE: All component dimensions given in U.S. inches
1 inch = 25.4 mm

SERVICE NOTES



SERVICE NOTES



SERVICE NOTES

