

ASSSEMBLY/REPAIR PARTS
Model No. 7H4B3A
Lawn Tractor

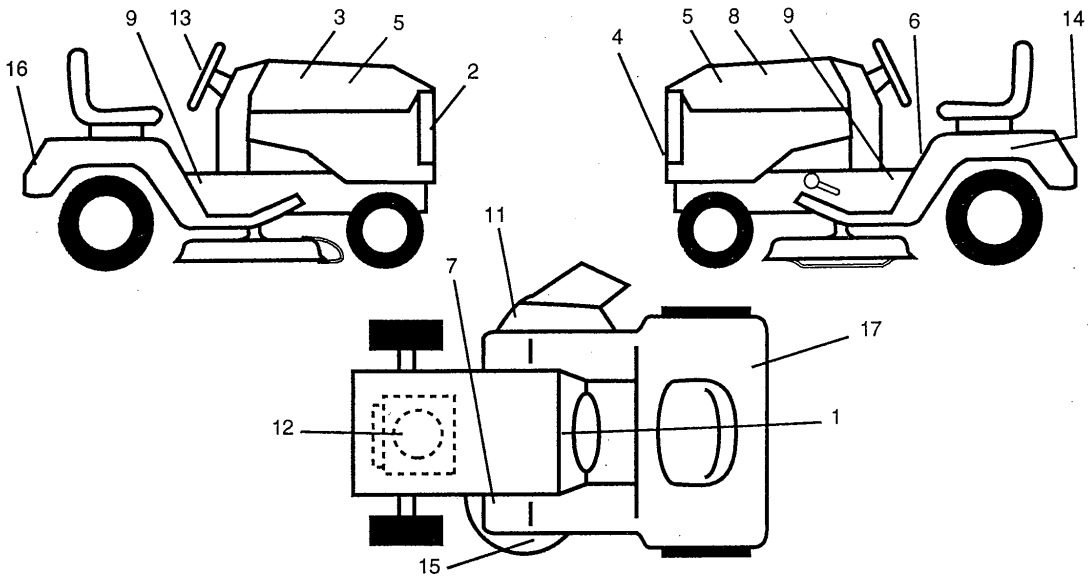
Rally

138757 11.10.92
PRINTED IN U.S.A.

REPAIR PARTS

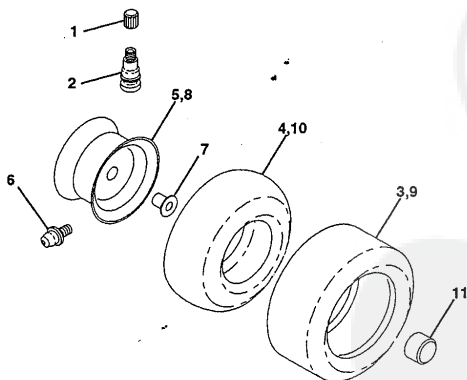
12.5 HP 42" TRACTOR -- MODEL NUMBER 7H4B3A

DECALS



KEY NO.	PART NO.	DESCRIPTION	KEY NO.	PART NO.	DESCRIPTION
1	136795	Decal Instruction Dash Eng/fr	15	135013	Decal Enviro Deck Yellow
2	132627	Decal Grille Rally (Logo)	16	132628	Decal Fender Rally
3	136434	Decal Hood Rh	17	125690X	Decal 100 Dba
4	129823	Decal Stripe Grille	-	138757	Manual Parts
5	135866	Decal Hood 12.5 HP I/c White	-	138311	Decal Handle Lft Height Adjust (Left Hand)
6	133795	Decal Caution Fender Eng/fr	-	137372	Manual Oper Gen 93 38/42"e/f
7	101892X	Decal Clutch/brake Eng/fr	Available accessories not included with lawn tractor:		
8	136433	Decal Hood Lh	--	C342	42" Bagger
9	131425	Decal Chassis 42" 6sp	--	SB20	40" Snow Thrower
11	137259	Decal Warning MULT-LANGUAGE	--	LC05	33 lb. Wheel Weights Pair
12	129057	Decal Engine 12.5HP B&s	--	CH12	Tire Chains (18 x 8.5 x 8 Turf)
13	127075	Decal Wheel Steering Rally			
14	121549X	Decal Caution Battery Fr/ger			

WHEELS & TIRES



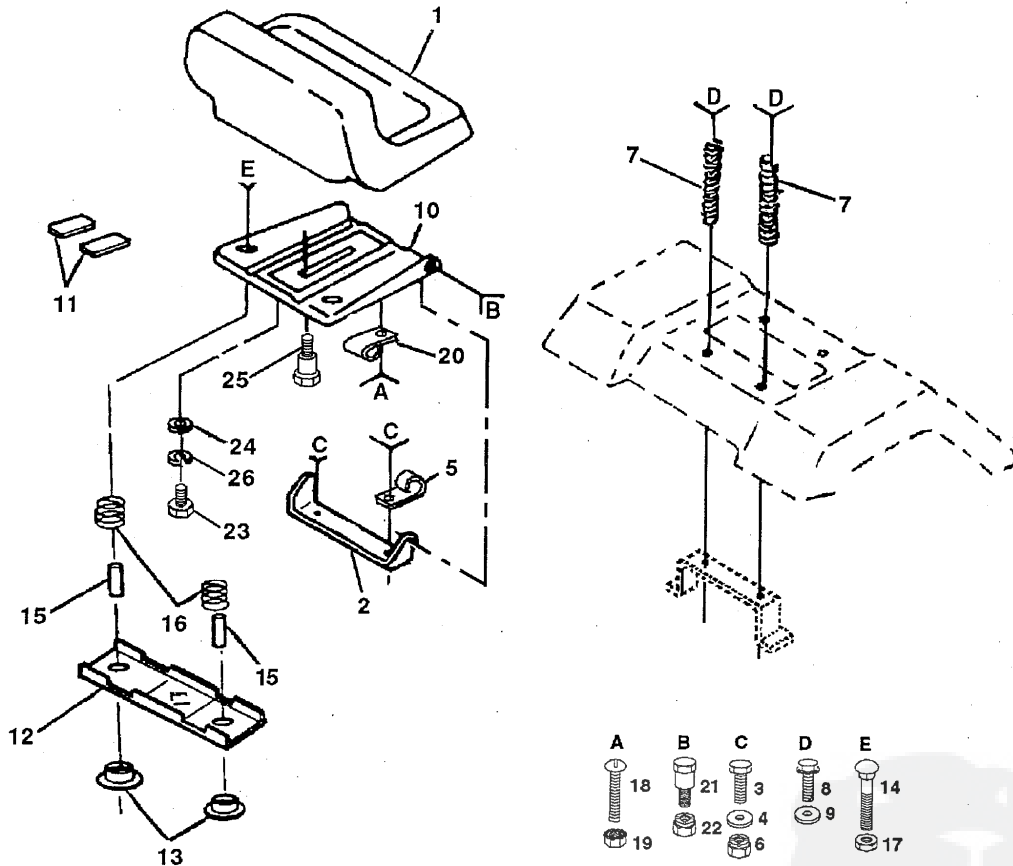
KEY NO.	PART NO.	DESCRIPTION
1	59192	Cap Valve Tire
2	65139	Stem Valve
3	106222X	Tire F Ts 15 X 6.0 - 6 Service
4	59904	Tube Front (Service Item Only)
5	106732X311	Rim Asm 6"front White Service
6	278H	Fitting Grease (Front Wheel Only)
7	9040H	Bearing Flange (Front Wheel Only)
8	106108X311	Rim Asm 8"rear White Service
9	124635X	Tire Rts 18 X 8.5 - 8C Service
10	7152J	Tube Rear (Service Item Only)
11	104757X	Cap Axle Blk 1 50 X 1 00

NOTE: All component dimensions given in U.S. inches - 1 inch = 25.4 mm.

REPAIR PARTS

12.5 HP 42" TRACTOR -- MODEL NUMBER 7H4B3A

SEAT ASSEMBLY



KEY NO.	PART NO.	DESCRIPTION
1	127428	Seat V-450 Blk/blk Std
2	126656X	Bracket Pivot Seat 8 720
3	74760612	Bolt Fin Hex 3/8-16unc X 3/4
4	19131210	Washer 13/32 X 3/4 X 10 Ga
5	2751R	Clip Line Fuel 13/32 Mtg Hole
6	73680600	Nut Crownlock 3/8-16 Unc
7	124181X	Spring Seat Cprsn 2 250 Blk Zi
8	17490616	Screw Thdrol 3/8-16 X 1 Ty-tt
9	19131614	Washer 13/32 X 1 X 14 Ga
10	131451	Pan Seat
11	121251X	Strip Foam Gray Or Black
12	121246X	Bracket Mounting Switch
13	121248X	Bushing Snap Blk Nyl 50 Id

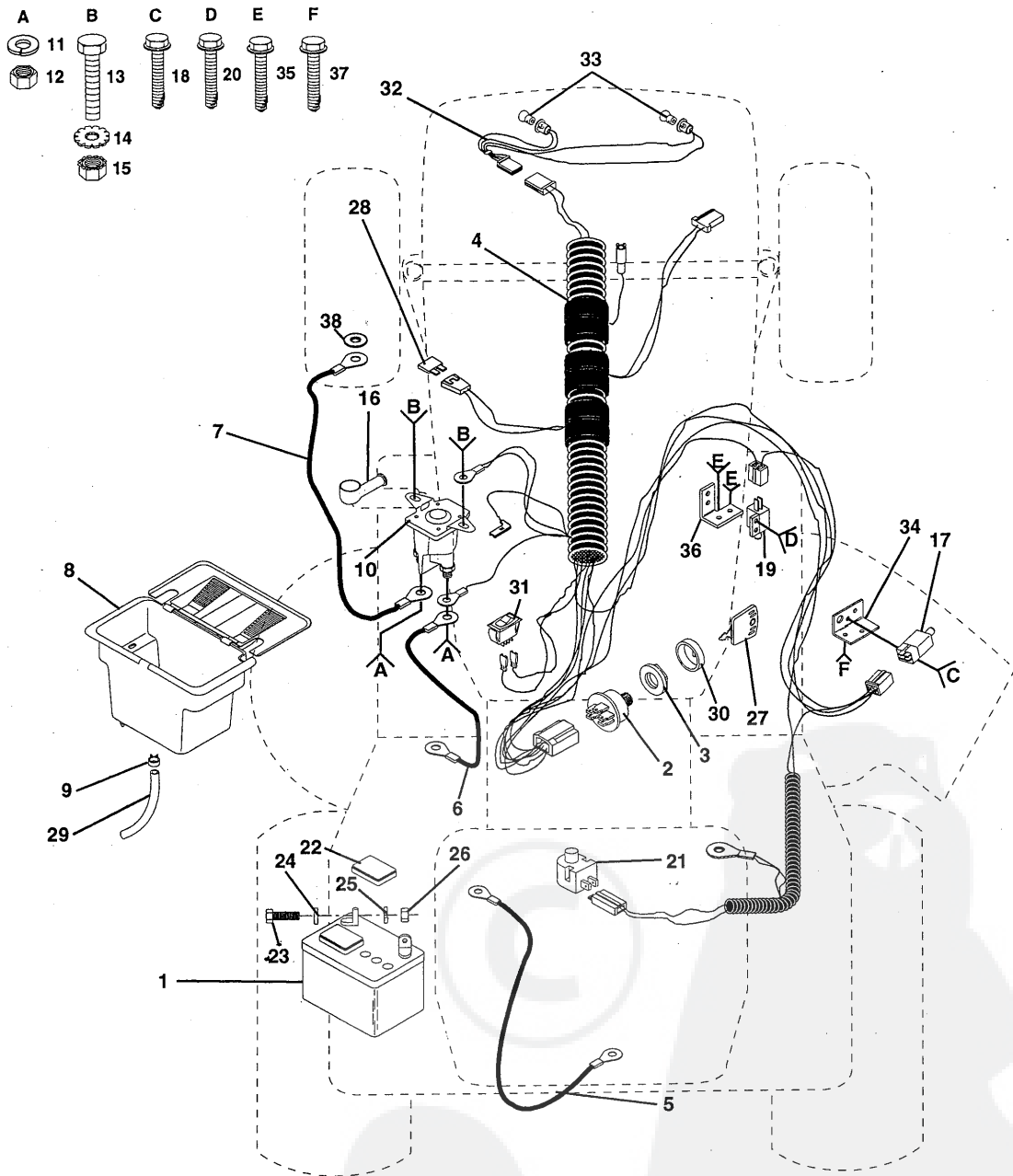
KEY NO.	PART NO.	DESCRIPTION
14	72050411	Bolt Rdhd Sht Nk 1/4-20x1-3/8
15	134300	Spacer Split 28x 96 Yel Zinc
16	121250X	Spring Cprsn 1 27 Blk Pnt
17	123976X	Nut Lock 1/4 Lge Flg Gr 5 Zinc
18	74641008	Screw SLTD Pan Hd #10-32 X 1/2
19	73951000	Nut Keps #10-32 Unf
20	4171R	Clip Insulated 11/32 Mtg Hole
21	105529X	Bolt Shoulder 5/16-18 Unc Blkz
22	73680500	Nut Crown Lock 5/16-18
23	74780814	Bolt Fin Hex 1/2-13 X 7/8 Gr 5
24	19171912	Washer 17/32 X 1-3/16 X 12 Ga
25	127018X	Bolt Shoulder 5/16-18 X 62
26	10040800	Washer Lock Hvy Hlcl Spr 1/2

NOTE: All component dimensions given in U.S. inches - 1 inch = 25.4 mm.

REPAIR PARTS

12.5 HP 42" TRACTOR -- MODEL NUMBER 7H4B3A

ELECTRICAL



REPAIR PARTS

12.5 HP 42" TRACTOR - - MODEL NUMBER 7H4B3A

ELECTRICAL

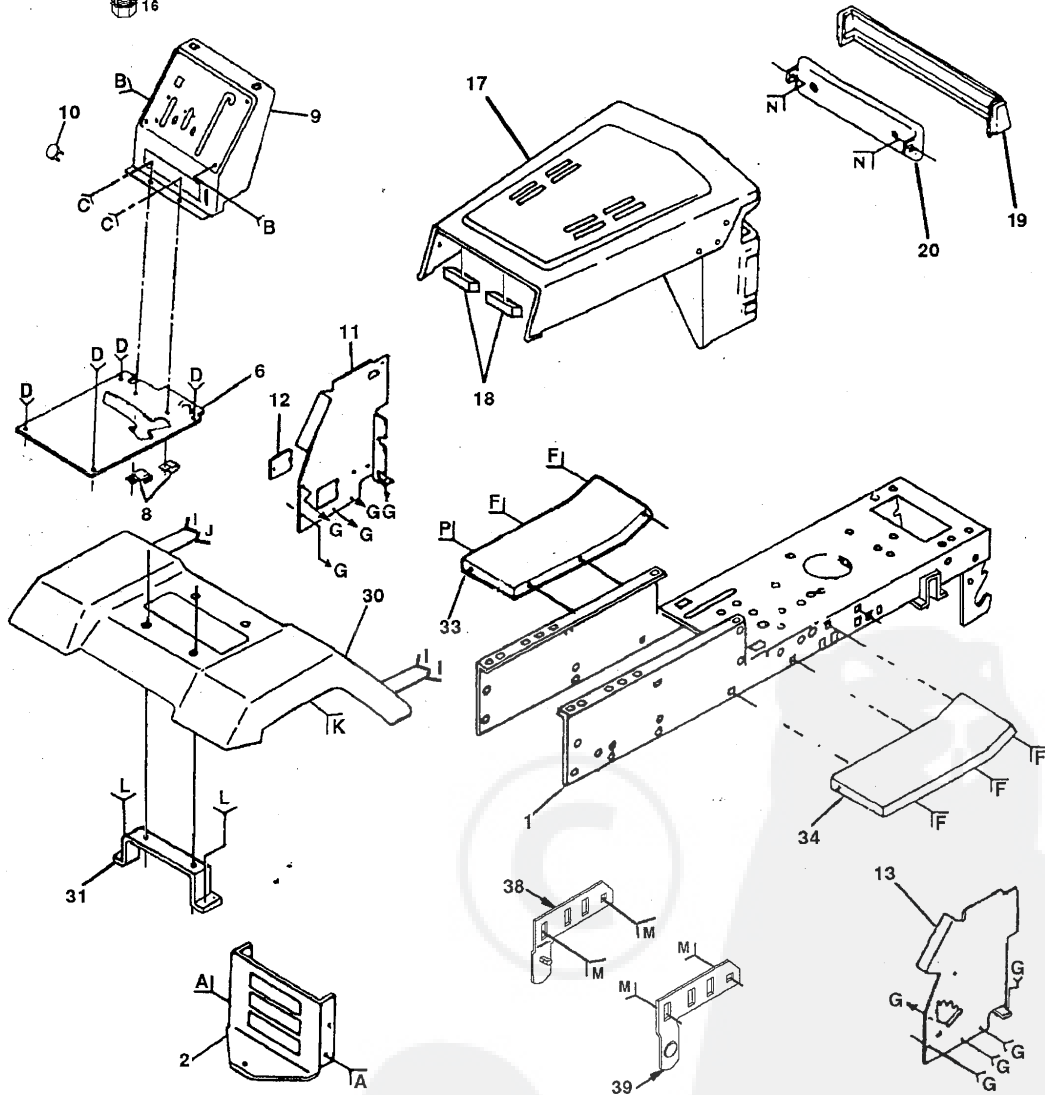
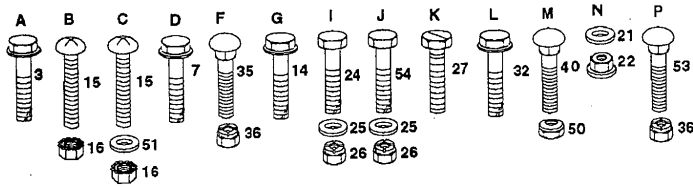
KEY NO.	PART NO.	DESCRIPTION
1	121265X	Battery 12 VOLT 25 AMP
2	4406R	Switch Ign 5 Term Wo/wash/nut*
3	124211X	Nut Ignition
4	132017	Harness Ign Bs/tec Dash HI
5	4207J	Cable Ground 6ga 12"black
6	132202	Cable Battery 6 Ga 43"red
7	4799J	Cable Battery 6ga 11"red
8	129965	Case Battery Hng Mech W/lid
9	109596X	Clamp Hose Olive
10	138406	Solenoid
11	10090400	Washer Lock 1/4
12	73350400	Nut Jam Hex 1/4-20 Unc
13	74780408	Bolt Fin Hex 1/4-20uncx1/2 Gr5
14	11050400	Washer Lock Ext Tooth 1/4
15	73510400	Nut Keps Hex 1/4-20 Unc
16	131563	Cover Terminal Red
17	109553X	Switch Intlk Clutch Gry 4 Term
18	17021008	Screw Tap Hex #10-24unc X 1/2
19	104445X	Switch Intlk Clutch Gry 2 Term
20	17021008	Screw Tap Hex #10-24unc X 1/2
21	121305X	Switch Plunger Nc Gray
22	121264X	Caps Battery 20/25/30 AMP
23	74760412	Bolt Hex Hd 1/4-20unc X 3/4
24	19091016	Washer 9/32 X 5/8 X 16 Ga
25	10040400	Washer Lock Hvy Helical 1/4
26	73220400	Nut Fin Hex 1/4-20 Unc
27	122147X	Key Ign Molded Generic
28	108824X	Fuse 30 AMP Auto Green
29	109238X	Tube Plastic 12"
30	123620X	Cover Sw Key Blk 1 25 Text SLT
31	110712X	Switch Light Blk Blk Red
32	136850	Harness Asm Light W/4152j
33	7662J	Bulb Light #1141
34	108236X	Bracket Switch Clutch
35	17021008	Screw Tap Hex #10-24unc X 1/2
36	130890	Bracket Switch Interlock
37	17021008	Screw Tap Hex #10-24unc X 1/2
38	11150400	Washer Lock Internal Tooth 1/4

NOTE: All component dimensions given in U.S. inches.
1 inch = 25.4 mm

REPAIR PARTS

12.5 HP 42" TRACTOR - - MODEL NUMBER 7H4B3A

CHASSIS AND ENCLOSURES



REPAIR PARTS

12.5 HP 42" TRACTOR - - MODEL NUMBER 7H4B3A

CHASSIS AND ENCLOSURES

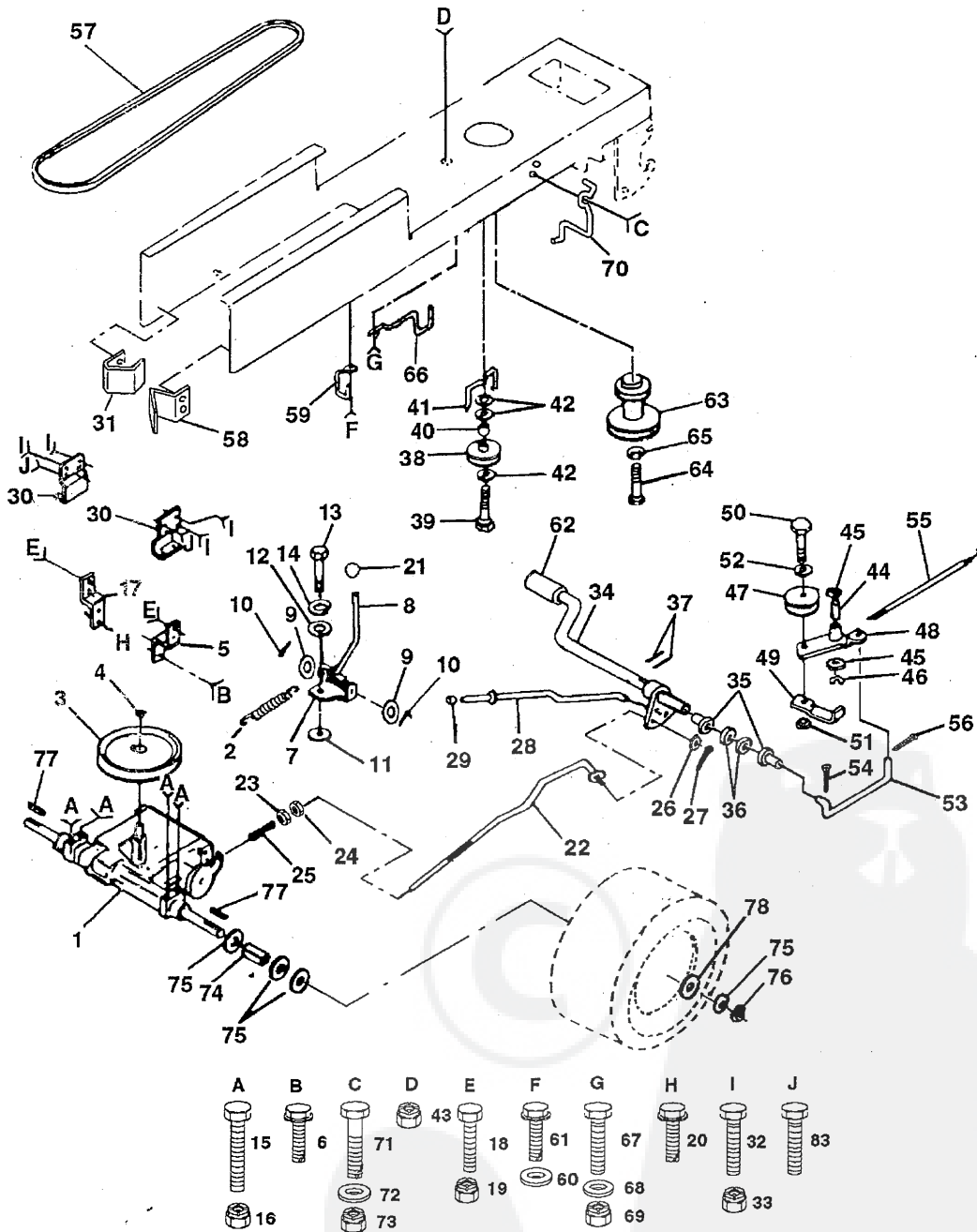
KEY NO.	PART NO.	DESCRIPTION
1	135034	Chassis 11 Ga Weldment
2	137275	Drawbar Stretch
3	17490612	Screw Thdrol 3/8-16x3/4 Ty-tt
6	130800X029	Saddle Slkscr Dana 6sp LT Flat
7	17490608	Screw Thdrol 3/8-16x1/2 Ty-tt
8	2751R	Clip Line Fuel 13/32 Mtg Hole
9	137411X012	Dash Slkscr 1-pc M W/i N/c Sym
10	5479J	Plug Button Blk 359 Dia Choke
11	122795X	Panel Dash LH
12	121794X	Cover Access Black Square
13	124031X	Panel Slkscr Dash RH Wild Notch
14	17490608	Screw Thdrol 3/8-16x1/2 Ty-tt
15	74180512	Screw Mach TRHD 5/16-18uncx3/4
16	73510500	Nut Keps 5/16-18 Unc
17	133956X505	Hood/grille Asm Pnt Welded
18	126938X	Bumper Hood
19	133085	Lens Headlight
20	132257	Bezel Light
21	19091216	Washer 9/32 X 3/4 X 16 Ga.
22	108067X	Nut Pal
24	74760612	Bolt Fin Hex 3/8-16unc X 3/4
25	19131312	Washer 13/32 X 13/16 X 12 Ga
26	73680600	Nut Crownlock 3/8-16 Unc
27	17490608	Screw Thdrol 3/8-16x1/2 Ty-tt
30	109872X505	Fender Pnt LT W/o Shift(red)
31	136619	Bracket Fender Repl 109873x
32	17490612	Screw Thdrol 3/8-16x3/4 Ty-tt
33	105476X505	Footrest Pnt LH Perf (Red)
34	105475X505	Footrest Pnt RH Perf (Red)
35	72110606	Bolt Rdhd Sht Sqnk 3/8-16 X3/4
36	73680600	Nut Crownlock 3/8-16 Unc
38	134774	Bracket Asm Pvt42 LH MWR Rear
39	134775	Bracket Asm Pvt42 RH MWR Rear
40	72140608	Bolt Rdhd Sqnk 3/8-16unc X 1
50	73800600	Locknut Hex W/Washer 3/8-16
51	19131216	Washer 13/32 X 3/4 X 16ga
53	72140608	Bolt Rdhd Sqnk 3/8-16unc X 1
54	74760614	Bolt Fin Hex 3/8-16unc X 7/8

NOTE: All component dimensions are given in U.S. inches
1 inch = 25.4 mm.

REPAIR PARTS

12.5 HP 42" TRACTOR -- MODEL NUMBER 7H4B3A

DRIVE



REPAIR PARTS

12.5 HP 42" TRACTOR -- MODEL NUMBER 7H4B3A

DRIVE

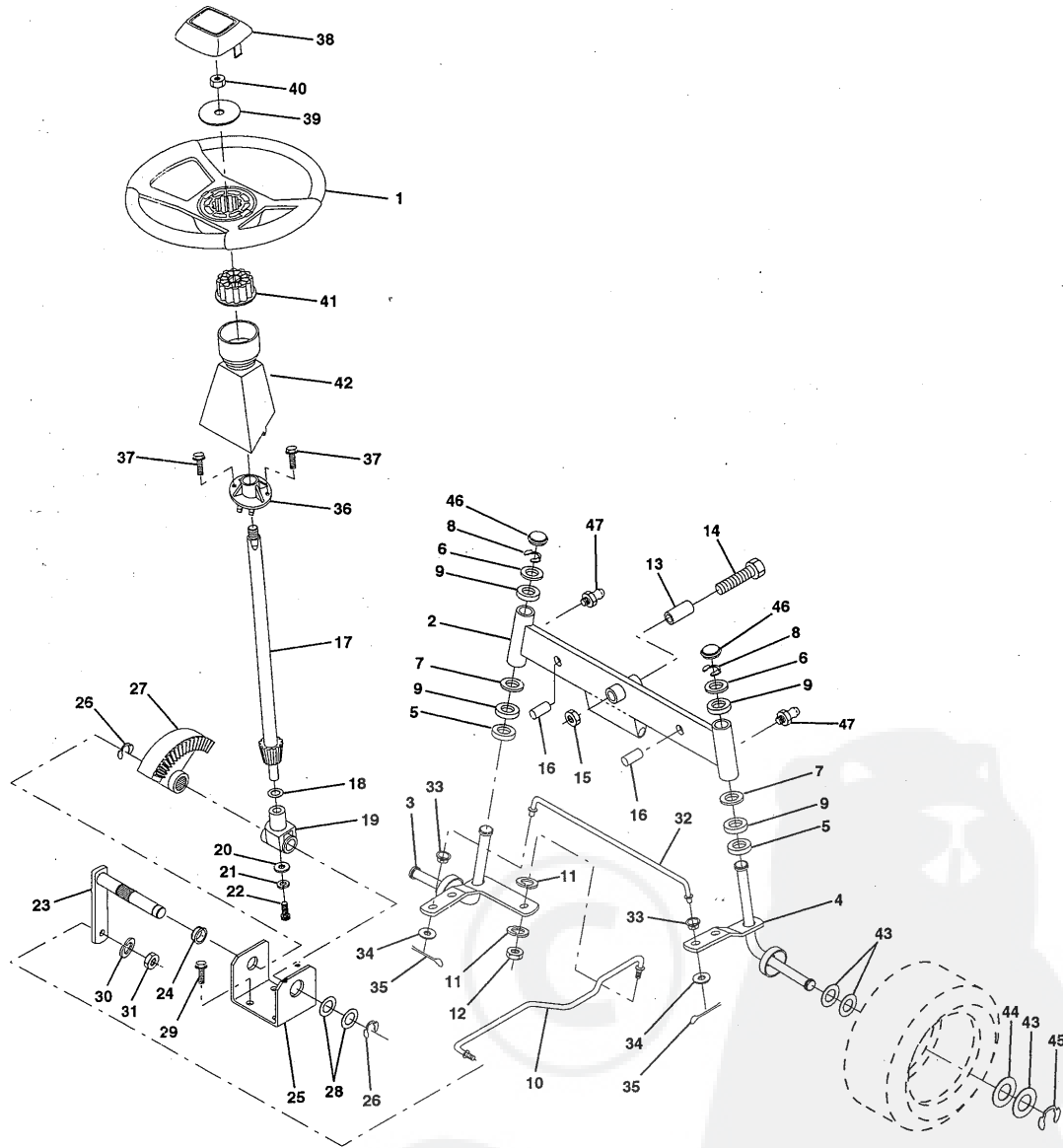
KEY NO.	PART NO.	DESCRIPTION	KEY NO.	PART NO.	DESCRIPTION
1	137363	Transaxle 6sp Std D4360-48	41	109070X	Keeper BELT Retainer
2	110422X	Spring Return Brake T/a Zinc	42	19131312	Washer 13/32 X 13/16 X 12 Ga
3	123666X	Pulley Transaxle 18" tires	43	73680600	Nut Crownlock 3/8-16 Unc
4	12000028	Ring Retainer # 5100-62	44	105706X	Bearing Nyl 503 X 628 X 1 25
5	121520X	Strap Torque 30 Degrees	45	110812X	Washer Hardened
6	17490512	Screw Thdrol 5/16-18 X 3/4 TYT	46	12000039	Ring Klip #5304-50
7	130802	Bracket Saddle Shift T/a	47	127783	Pulley Idler V Groove Plastic
8	131679	Rod Shf Sdl LY/YT Str Blk Zinc	48	123789X	Bellcrank Asm Clutch
9	19151216	Washer 15/32 X 3/4 X 16ga	49	123205X	Retainer BELT Style Spring
10	76020416	Pin Cotter 1/8 X 1 Cad	50	74760624	Bolt Hex Hd 3/8-16unc X 1-1/2
11	105701X	Washer Plate Shf 388 Sq Hole	51	73680600	Nut Crownlock 3/8-16 Unc
12	19091210	Washer 9/32 X 3/4 X 10 Ga	52	19131316	Washer 13/32 X 13/16 X 16 Ga
13	71040412	Bolt Fin Hex 1/4-28unfx3/4 Gr8	53	105710X	Link Clutch 7 66
14	10040400	Washer Lock Hvy Helical 1/4	54	76020412	Pin Cotter 1/8 X 3/4 Cad
15	74760540	Bolt Fin Hex 5/16-18uncx 2-1/2	55	105709X	Spring Return Clutch 6 75
16	73680500	Nut Crown Lock 5/16-18	56	76020412	Pin Cotter 1/8 X 3/4 Cad
17	121520X	Strap Torque 30 Degrees	57	138255	V-Belt Gd Drive 42 62 Kevlar
18	74760612	Bolt Fin Hex 3/8-16unc X 3/4	58	127274X	Keeper BELT RH LT Pnt/zinc 16g
19	73680600	Nut Crownlock 3/8-16 Unc	59	136715	Keeper Belt Chassis Span Ctr
20	17490512	Screw Thdrol 5/16-18 X 3/4 TYT	60	19131312	Washer 13/32 X 13/16 X 12 Ga
21	106279X	Knob Rd 1/2-13 Plstc Thds Yel	61	17490612	Screw Thdrol 3/8 - 16 X 3/4
22	130804	Rod Brake Blk Zinc 26 840	62	8883R	Cover Pedal Blk Round
23	73800600	Nut Lock Hex W/wsh 3/8-16unc	63	134825	Engine Pulley LT/YT
24	73350600	Nut Hex Jam 3/8-16 Unc	64	71170764	Bolt Hex 7/16-20x4 Gr 5
25	106888X	Spring Rod Brake 2 00 Zinc	65	10040700	Washer Lock Hvy Hlcl Spr 7/16
26	19131316	Washer 13/32 X 13/16 X 16 Ga	66	129921	Keeper BELT Engine LH LT
27	76020412	Pin Cotter 1/8 X 3/4 Cad	67	74760616	Bolt Fin Hex 3/8-16unc X 1
28	128904	Rod Brake Parking LT	68	19131312	Washer 13/32 X 13/16 X 12 Ga
29	7733J	Cap Parking Brake Yellow	69	73680600	Nut Crownlock 3/8-16 Unc
30	130807	Bracket Mtg Transaxle	70	134683	Guide BELT Mower Drive RH
31	127275X	Keeper BELT LH LT 14 Ga	71	74760616	Bolt Fin Hex 3/8-16unc X 1
32	74760512	Bolt Hex Hd 5/16-18unc X 3/4	72	19132012	Washer 13/32 X 1-1/4 X 12 Ga
33	73680500	Nut Crown Lock 5/16-18	73	73680600	Nut Crownlock 3/8-16 Unc
34	122424X	Shaft Asm Pedal Foot 1 930	74	109502X	Spacer Split 80x1 94 Cad/zinc
35	120183X	Bearing Nylon Blk 629 Id	75	121749X	Washer 25/32 X 1 1/4 X 16 Ga
36	19211616	Washer 2 1/32 X 1 X 16 Ga	76	12000001	E-ring #5133-75
37	1572H	Pin Roll 3/16 X 1"	77	123583X	Key Square 2 0 X 1845/ 1865
38	123674X	Pulley Idler Flat	78	121748X	Washer 25/32 X 1-5/8 X 16ga
39	74760644	Bolt Fin Hex 3/8-16unc X 2-3/4	83	17490612	Screw Thdrol 3/8-16x3/4 Ty-tt
40	4470J	Spacer Split 395 X 59 Bzp			

NOTE: All component dimensions give in U.S. inches - 1 inch = 25.4 mm.

REPAIR PARTS

12.5 HP 42" TRACTOR -- MODEL NUMBER 7H4B3A

STEERING ASSEMBLY



REPAIR PARTS

12.5 HP 42" TRACTOR -- MODEL NUMBER 7H4B3A

STEERING ASSEMBLY

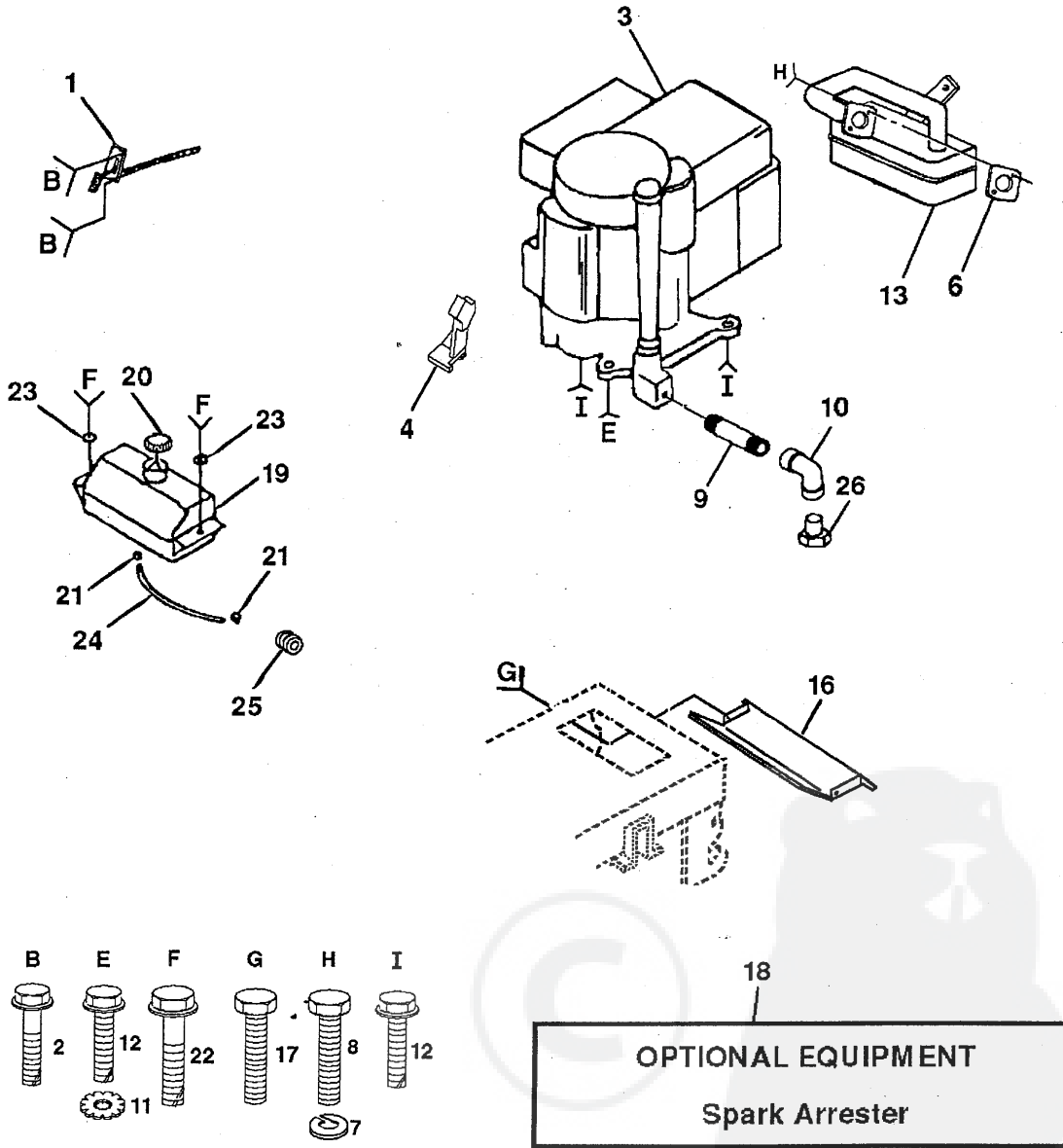
KEY NO.	PART NO.	DESCRIPTION
1	133741	Wheel Steering Ayp/kelch Blk
2	133988	Axle Asm Fr LT W/gzks 38/42
3	135227	Spindle Asm LH
4	135228	Spindle Asm RH
5	6266H	Bearing Race Thrust Harden
6	121748X	Washer 25/32 X 1-5/8 X 16ga
7	19272016	Washer 27/32 X 1-1/4 X 16 Ga
8	12000029	Ring Klip #t5304-75
9	3366R	Bearing Col Strg Blk
10	130468	Link Drag Sol Ball Jt 20 064
11	10040600	Washer Lock Hvy Hlcl Spr 3/8
12	73610600	Nut Fin Hex 3/8 - 24 Unf
13	110438X	Spacer Bearing Axle Front
14	74011056	Bolt Hex 5/8-11 Unc X 3-1/2
15	73901000	Nut Lock Flange 5/8-11 Unc
16	132624	Pin Axle 5/8 X 1.55/1.54 Lg
17	132614	Shaft Asm Strg 5/8 X 15 19 LT
18	57079	Washer Thrust 515x 750x 033
19	124035X	Support Shaft
20	126684X	Washer Shim 1/4 X 5/8 X 062
21	10040400	Washer Lock Hvy Helical 1/4
22	71070410	Screw Hex Socket 1/4-20 X 5/8
23	127501	Shaft Asm Pittman
24	109816X	Nyliner Snap In
25	124036X	Bracket Steering
26	12000029	Ring Klip #t5304-75
27	136874	Gear Sector 22 Teeth
28	6266H	Bearing Race Thrust Harden
29	17490612	Screw Thdrol 3/8-16x3/4 Ty-tt
30	10040600	Washer Lock Hvy Hlcl Spr 3/8
31	73610600	Nut Fin Hex 3/8-24 Unf
32	130465	Rod Tie Wire Form 19 75 Mech
33	126847X	Bushing Link Drag Blk LR
34	19131416	Washer 13/32 X 7/8 X 16ga
35	76020412	Pin Cotter 1/8 X 3/4 Cad
36	132196	Bushing Strg 5/8 Id Dash
37	17431008	Screw Sltp #10-16 X 1/2 Ty-b
38	133742	Cap Wheel Steer Ayp/kelch Blk
39	19133808	Washer 13/32 X 2-3/8 X 8 Ga
40	7810H	Nut Lock Center 3/8-24unf
41	104820X	Adaptor Wheel Strg 640/ 635id
42	124418X	Boot Shaft Steering
43	121749X	Washer 25/32 X 1 1/4 X 16 Ga
44	121748X	Washer 25/32 X 1-5/8 X 16ga
45	12000029	Ring Klip #t5304-75
46	121232X	Cap Spindle Fr Top Blk
47	6855M	Fitting Grease

NOTE: All component dimensions given in U.S. inches.
1 inch = 25.4 mm.

REPAIR PARTS

12.5 HP 42" TRACTOR -- MODEL NUMBER 7H4B3A

ENGINE



OPTIONAL EQUIPMENT
Spark Arrester

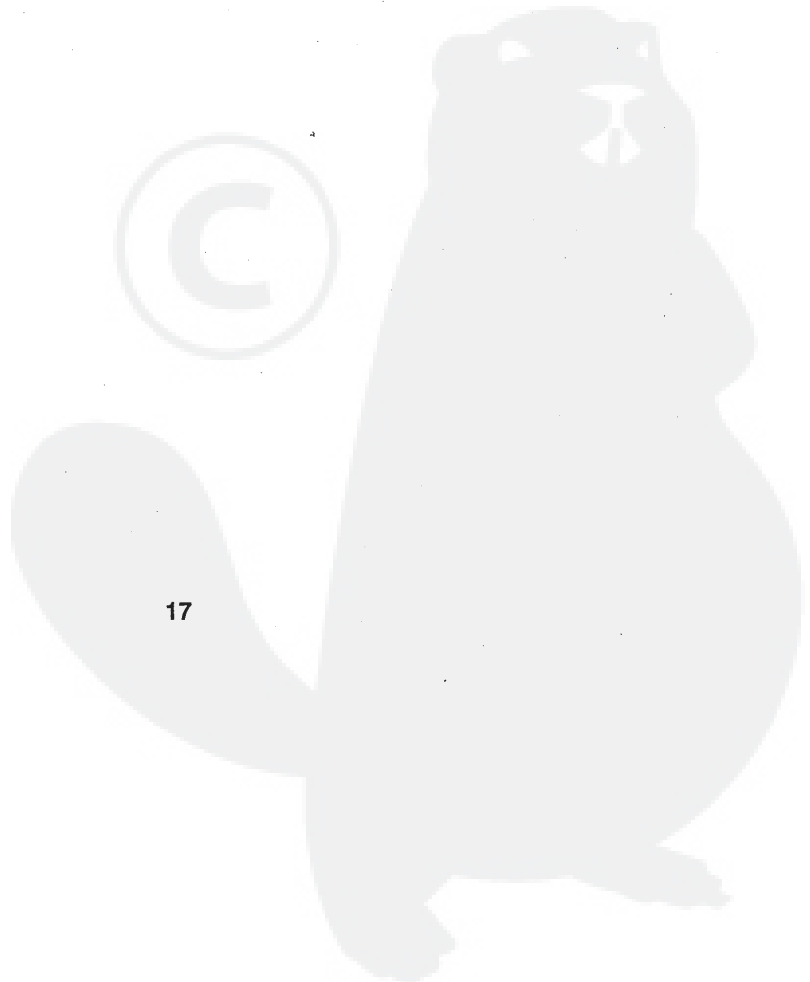
REPAIR PARTS

12.5 HP 42" TRACTOR -- MODEL NUMBER 7H4B3A

ENGINE

KEY NO.	PART NO.	DESCRIPTION
1	132771	Control Th/ch RH Blk Tee 15 10
2	17720410	Screw Hex Thd Cut 1/4-20x5/8 T
3	-----	Engine B&s 12 5 Ic Dual 1v Model No. 289707
4	133097	Stop Throt 2700 Rpm
6	125593X	Gasket Eng 1 313 Id Tin Plated
7	10040500	Washer Lock Hvy Hlcl Spr 5/16
8	71070510	Screw Hexhd Cap 5/16-18x5/8
9	13280324	Nipple Pipe 3/8 Npt X 3"
10	13200300	Elbow Std 90 Degree 3/8-18 Npt
11	11050600	Washer Lock Ext Tooth 3/8
12	17490620	Screw Thdrol 3/8-16x1-1/4 TYTT
13	137348	Muffler LT B&s 12/12 5 HP
16	128953	Shield Heat Browning LT/YT
17	17021008	Screw Tap Hex #10-24unc X 1/2
18	137180	Kit Spark Arrestor (Flat Scrn)
19	109202X	Tank Fuel Front 1 25
20	123549X	Cap Asm Fuel W/sym Vented
21	123487X	Clamp Hose Blk
22	17490412	Screw Hexwsh Thdrol 1/4-20x3/4
23	19091416	Washer 9/32 X 7/8 X 16ga
24	8548R	Line Fuel 13"
25	124028X	Bushing Snap Nyl Blk Fuel Line
26	-----	Plug Oil Drain (Order From Engine Manufacturer)

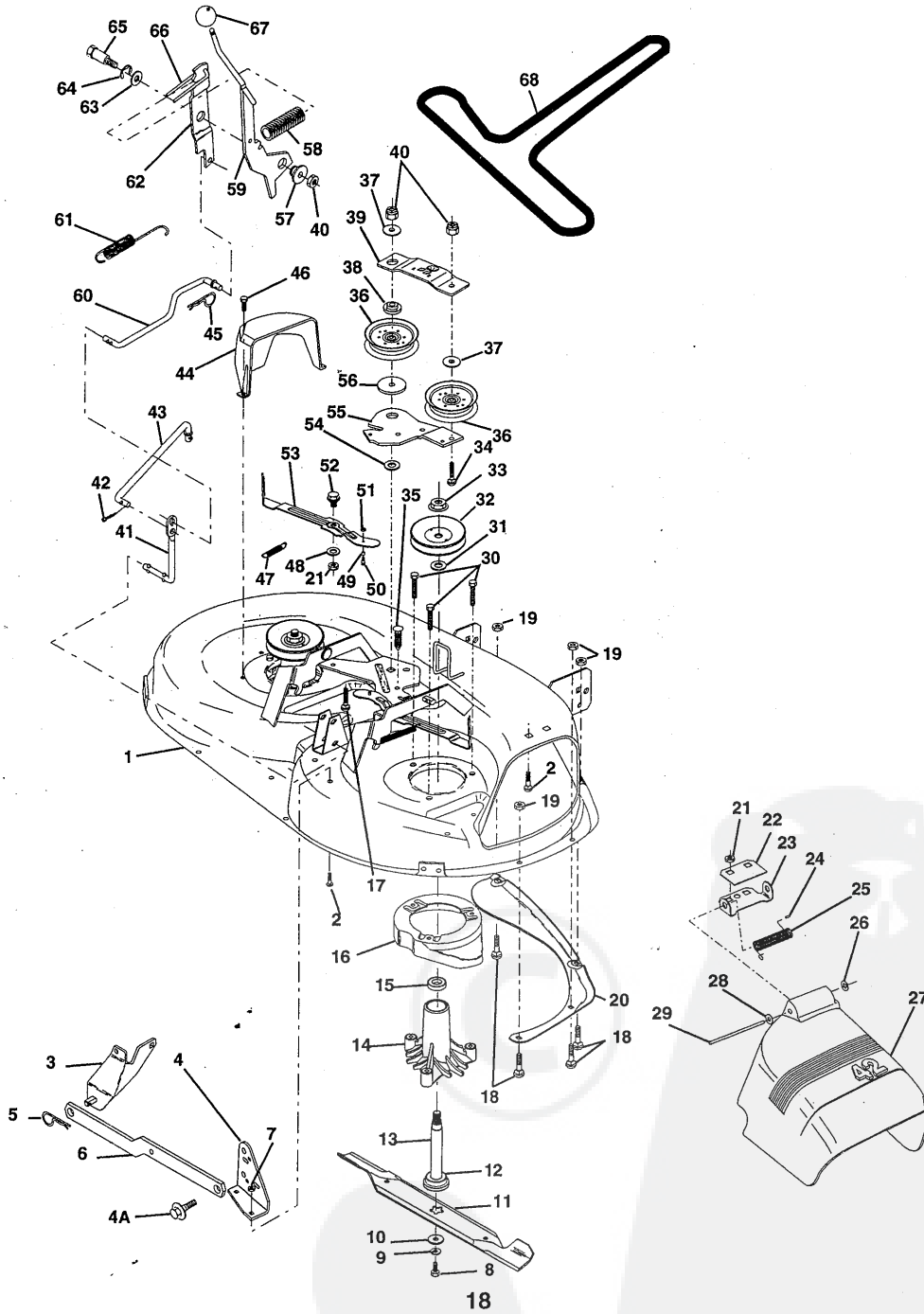
NOTE: All component dimensions given in U.S. inches.
1 inch = 25.4 mm



REPAIR PARTS

12.5 HP 42" TRACTOR -- MODEL NUMBER 7H4B3A

42" MOWER DECK



REPAIR PARTS

12.5 HP 42" TRACTOR -- MODEL NUMBER 7H4B3A

42" MOWER DECK

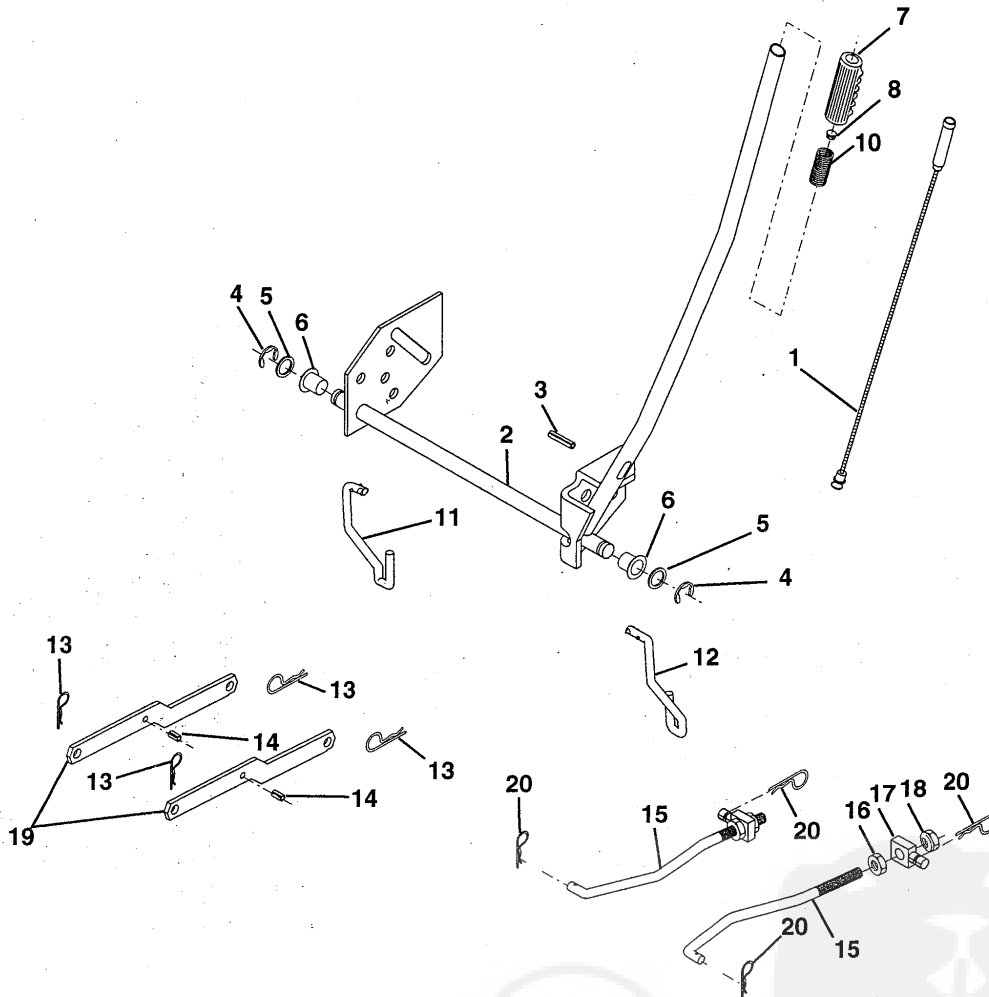
KEY NO.	PART NO.	DESCRIPTION	KEY NO.	PART NO.	DESCRIPTION
1	138024	Deck Asm MWR 42"weldment	35	133835	Fastner Christmas Tree
2	72140506	Bolt Rdhd Sqnk 5/16-18unc X3/4	36	131494	Pulley Idler Flat 3 060
3	138017	Bracket Asm Fr Sway Bar 38/42	37	19131612	Washer 13/32 X 1 X 12 Ga
4	138440	Bracket Deck Sway Bar 38/42	38	133502	Spacer Arm Idler Upper Hdn 42"
4a	132827	Bolt Shoulder 5/16-18 Thd Form	39	133503	Stiffener Arm Idler Upper 42"
5	4939M	Retainer Spring	40	73680600	Nut Crownlock 3/8-16 Unc
6	130832	Arm Suspension Rear	41	133551	Rod Pivot W/nibs
7	73800500	Locknut-hex W/ins 5/16-18unc P	42	76020312	Pin Cotter 3/32 X 3/4 Cad
8	850857	Bolt 3/8-24 X 1.25 Gr 8 Patched	43	133504	Rod Clutch Secondary W/nibs
9	10030600	Washer Lock Hvy 3/8 Unplated	44	134236	Guard Mandrel LH Black
10	129962	Washer Hard Blade Mower Vented	45	4497H	Spring Retainer 1" Zinc/cad
11	127843	Blade Mower High Perf 42"	46	17720410	Screw Hex Thd Cut 1/4-20x5/8 T
12	129895	Bearing Ball #6204 (Mandrel)	47	131335	Spring Extension
13	133172	Shaft Asm W/lower Bearing (Includes Key #12)	48	133944	Washer Hardened Smaller
14	128774	Housing Mandrel Vented (Machd)	49	133940	Roller Asm Cam Follower 42"dec
15	110485X	Bearing Ball Mandrel	50	131340	Bolt Shldr 10-24 Zinc Gr 5 42"
16	136929	Stripper Mower Vented	51	69180	Nut Lock #10-24 Unc
17	72110618	Bolt Rdhd Sqnk 3/8-16 X 2-1/4	52	105529X	Bolt Shoulder 5/16-18 Unc Blkz
18	72140505	Bolt Rdhd Sqnk 5/16-18 X 5/8	53	131845	Arm Asm Pad Brake
19	73800500	Locknut-hex W/ins 5/16-18unc P	54	133943	Washer Hardened
20	136888	Baffle Vortex 42	55	133844	Arm Idler 42"mower LT/YT
21	73680500	Nut Crown Lock 5/16-18	56	122052X	Spacer Retainer Pm Mower
22	134753	Stiffener Bracket 42"deck	57	127498	Bushing 747 Od X 794 Lg Brass
23	131267	Bracket Deflector Mower 42"	58	128759	Spring Clutch Mower 2 750 Zinc
24	105304X	Cap Sleeve 80x 112 Blk Mower	59	133573	Arm Asm Clutch Primary
25	123713X	Spring Torsion Deflector 2 52	60	134666	Rod Clutch Primary 38/42
26	110452X	Nut Push Phos & Oil	61	131870	Spring Return
27	130968	Shield Deflector Mower 42" Blk	62	127847	Arm Clutch Secondary
28	19111016	Washer 11/32 X 5/8 X 16 Ga	63	121748X	Washer 25/32 X 1-5/8 X 16ga
29	131491	Rod Hinge 42"6 75 Wlg	64	12000029	Ring Klip #15304-75
30	78158	Bolt 5/16-18 X 1 25 T/t	65	128903	Bolt Shoulder 3/8-16 Unc 1 44
31	129963	Washer Spacer Mower Vented	66	127845	Keeper Spring 4 000
32	129861	Pulley Mandrel 42"	67	7803J	Knob Rd 3/8-16 Plstc Thds Yel
33	73050900	Nut 9/16 Top Lock Flng Oil Dip	68	130969	V-BELT Mower 42" 92 40
34	72110614	Bolt Rdhd 3/8-16uncx1-3/4 Gr5	--	130794	Mandrel Asm Service (Includes Key Nos. 8-10, 12-15, 31 and 33)
			--	138358	Deck Serv 42"

NOTE: All component dimensions given in U.S. inches
1 inch = 25.4 mm

REPAIR PARTS

12.5 HP 42" TRACTOR -- MODEL NUMBER 7H4B3A

LIFT



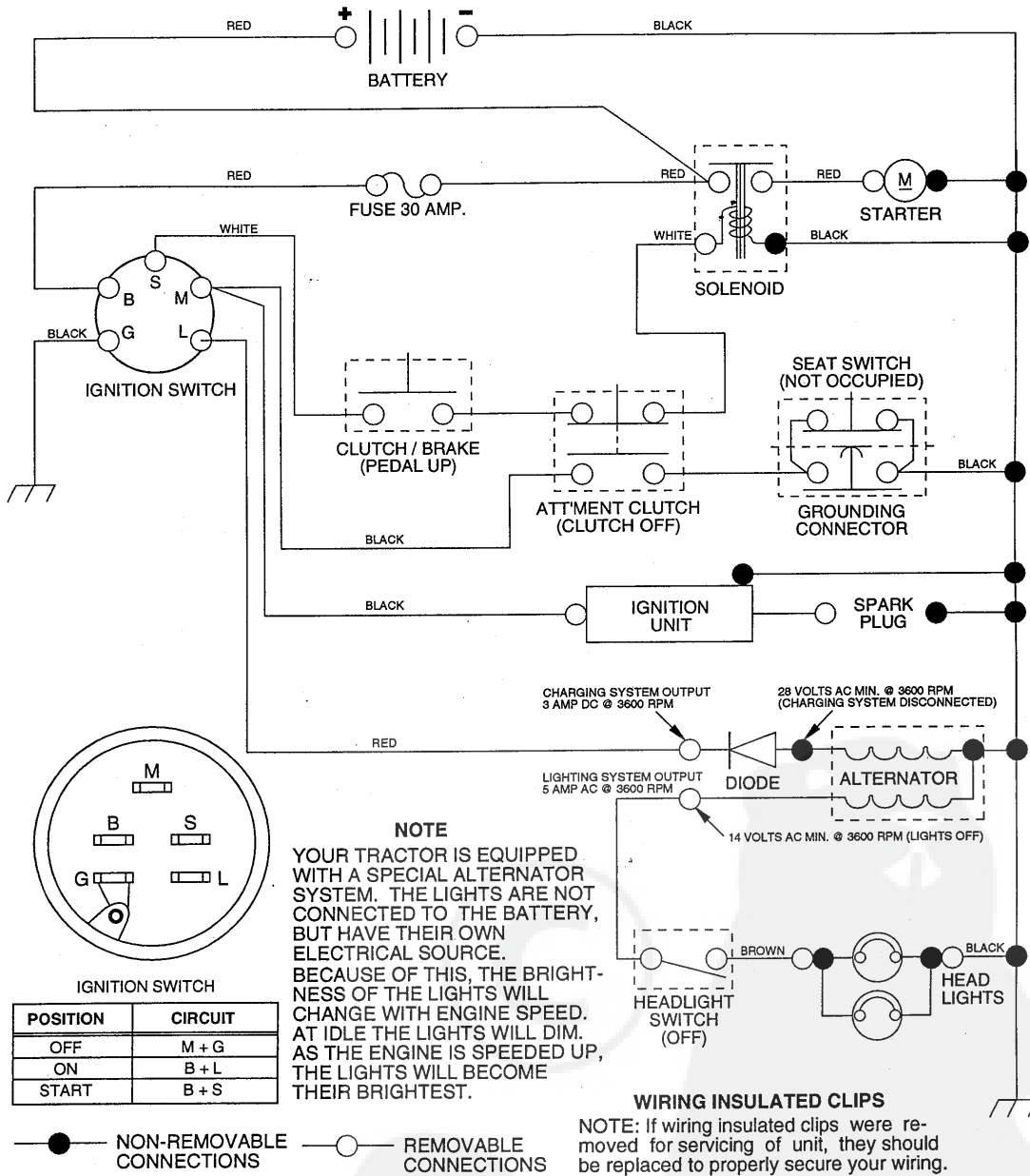
KEY NO.	PART NO.	DESCRIPTION
1	136973	Wire Asm Inner W/plunger 17 32
2	122507X	Shaft Asm Lift 9 680
3	105767X	Pin Groove 1 500 Zinc
4	12000002	E Ring #5133-62
5	19211621	Washer PLTD 21/32 X 1 X 21ga
6	120183X	Bearing Nylon Blk 629 Id
7	109413X	Grip Handle Bicycle Matte Blk
8	124385X	Button Plunger Yellow
10	122512X	Spring Cprsn 3 750 Oiled
11	134619	Link Lift LH Fixed Length

KEY NO.	PART NO.	DESCRIPTION
12	135388	Link Lift RH Fixed Length
13	4939M	Retainer Spring
14	135563	Pin Roll SLT 5/16 X 1 25 Blk O
15	127218	Link Front
16	73350800	Nut Jam Hex 1/2-13 Unc
17	130171	Trunnion Blk Zinc
18	73800800	Nut Lock W/wsh 1/2-13unc
19	130832	Arm Suspension Rear
20	3146R	Retainer Spring

NOTE: All component dimensions given in U.S.inches
1 inche = 25.4 mm

12.5 HP 42" TRACTOR -- MODEL NUMBER 7H4B3A

SCHEMATIC

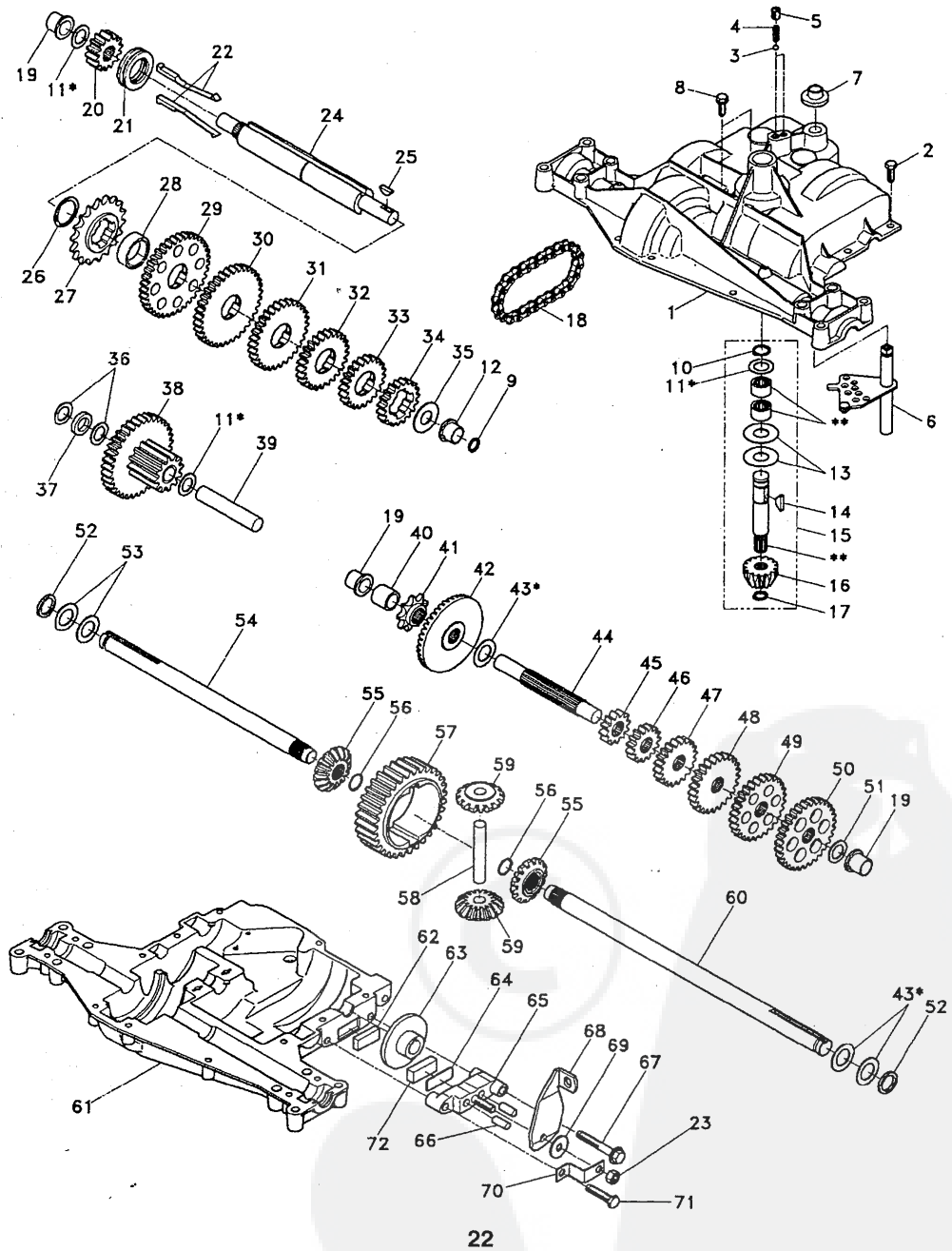


REPAIR PARTS

12.5 HP 42" TRACTOR - - MODEL NUMBER 7H4B3A

TRANSAXLE FOOTE-DANA - MODEL NUMBER 4360-48

TRANSAXLE



REPAIR PARTS

12.5 HP 42" TRACTOR - - MODEL NUMBER 7H4B3A TRANSAXLE FOOTE-DANA - MODEL NUMBER 4360-48

TRANSAXLE

KEY NO.	PART NO.	DESCRIPTION	KEY NO.	PART NO.	DESCRIPTION
1	138248	Housing, Upper	41	105928X	Sprocket, 9 Teeth
2	2274J	Screw, Self-Tapping, Large 1/4-20 x .734	42	110084X	Gear, Bevel, 42 Teeth
3	134400	Ball, Detent	43	134394	* Assembly, Kit, Shim .750 Shaft
4	105904X	Spring, Detent	44	120473X	Shaft, Drive
5	105905X	Screw, Set	45	105933X	Gear, Spur, 12 Teeth
6	138235	Kit, Shifter Assembly	46	106151X	Gear, Spur, 15 Teeth
7	134399	Boot, Shifter	47	120407X	Gear, Spur, 20 Teeth
8	134791	Screw, Tapping w/Sealer	48	106589X	Gear, Spur, 25 Teeth
9	138241	Square Ring	49	120408X	Gear, Spur, 28 Teeth
10	2267J	Ring, Retaining	50	105937X	Gear, Spur, 31 Teeth
11	134793	* Assembly, Kit, Shim .625 Shaft	51	2226J	Washer, Plain .632 x 1.00 x .060
12	138240	Bearing, Flange	52	134401	Washer, Neoprene
13	120415X	Washer, Plain .632 x 1.38 x .046	53	2264J	Washer, Plain .758 x 1.25 x .031
14	2257J	Key, Woodruff, #9	54	120474X	Axle, L.H.
15	138234	Assembly, Kit, Input Shaft	55	110081X	Gear, Miter, 15 Teeth
16	110078X	Pinion, Bevel, 14 Teeth	56	105941X	Ring, Retaining
17	105909X	Ring, Retaining	57	110071X	Gear, Spur, 32 Teeth
18	105910X	Chain, 24 Pitches	58	120952X	Shaft, Cross
19	105911X	Bearing, Flange	59	110082X	Gear, Miter, 15 Teeth
20	138242	Gear, Spur, 14 Teeth	60	120475X	Axle, R.H.
21	138246	Collar, Clutch	61	138247	Housing, Lower
22	138236	Assembly, Kit, Clutch Keys	62	120961X	Puck, Friction
23	73810500	Locknut 5/16-24	63	7294J	Disc, Brake
24	138243	Shaft, Intermediate	64	108989X	Spacer
25	2244J	Key, Woodruff, #61	65	120953X	Jaw, Brake
26	105916X	Ring, Retaining	66	120954X	Pin, Dowel
27	120470X	Sprocket, 18 Teeth	67	134799	Screw, Self-Tapping, Large 5/16-18 x 2.25
28	110070X	Spacer	68	138244	Lever, Actuating
29	108977X	Gear, Spur, 37 Teeth	69	108996X	Washer, Plain .321 x 1.00 x .055
30	109254X	Gear, Spur, 35 Teeth	70	120956X	Bracket, Anti-Rotation
31	120405X	Gear, Spur, 30 Teeth	71	106596X	Screw, Self-Tapping, Large 5/16-18 x 1.44
32	108980X	Gear, Spur, 25 Teeth	72	120951X	Puck, Friction
33	120406X	Gear, Spur, 22 Teeth	73	120416X	Grease
34	134796	Gear, Spur, 19 Teeth			
35	105925X	Washer, Plain .640 x 1.37 x .061			
36	2232J	Washer, Plain .632 x 1.00 x .026			
37	108978X	Spacer .630 x 1.00 x .169			
38	110079X	Assembly, Gear, Combination of 12 Teeth and 35 Teeth			
39	124639X	Shaft, Idler			
40	120472X	Spacer .635 x .875 x .755			

* Use in combinations to maintain proper clearances

** Order Key No. 15

NOTE: All component dimensions given in U.S. inches
1 inch = 25.4 mm