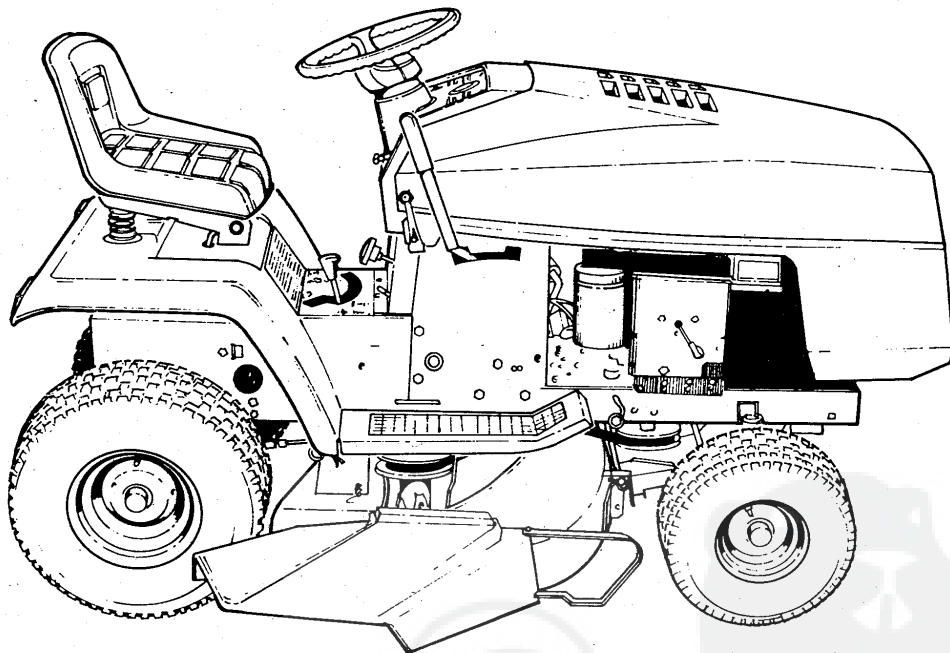


MAI 89

✓

OWNER'S MANUAL

12H.P. LAWN TRACTOR
MODEL NUMBER LT120CE



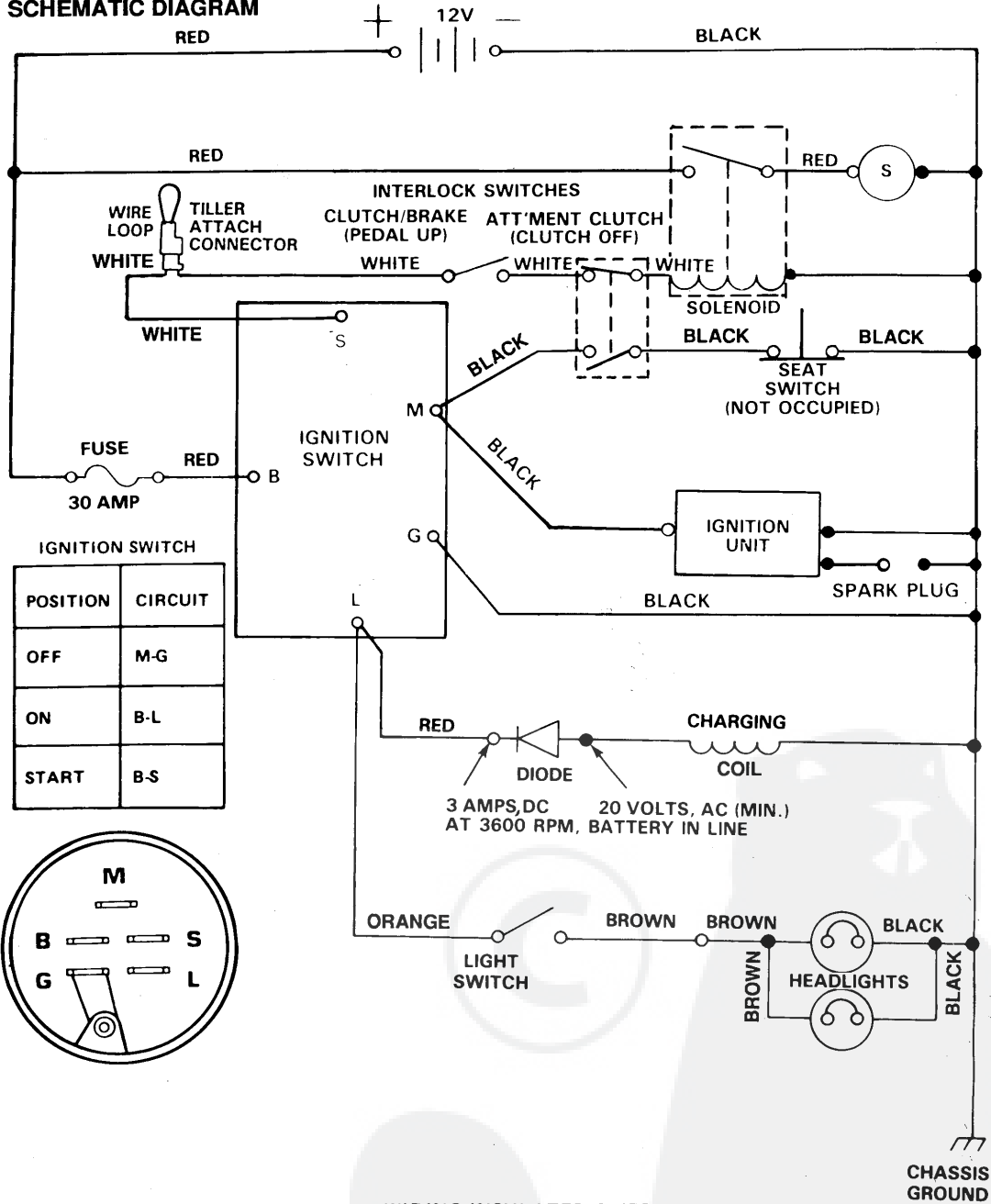
AMERICAN YARD PRODUCTS INC.

S.C. HWY. 33, AND OLD CAMERON ROAD
P.O. BOX 1687
ORANGEBURG, SC 29116

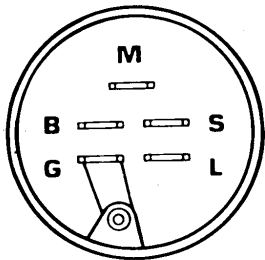
REPAIR PARTS

12 HP LAWN TRACTOR

SCHEMATIC DIAGRAM



IGNITION SWITCH	
POSITION	CIRCUIT
OFF	M-G
ON	B-L
START	B-S

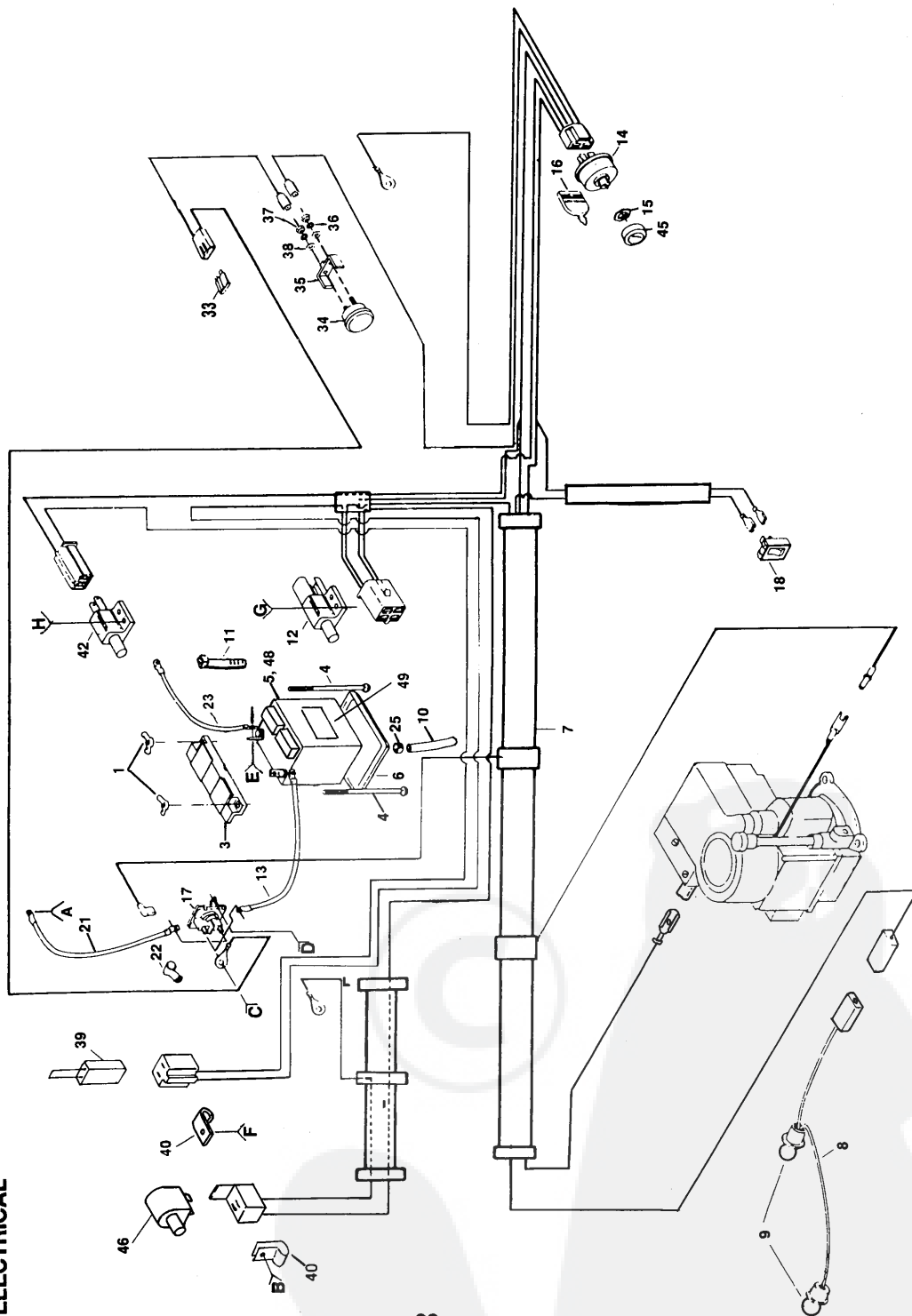


WIRING INSULATED CLIPS

If Insulated Clips and Cable Ties were removed for servicing of unit, they should be replaced to properly secure your wiring.

**REPAIR PARTS
ELECTRICAL**

ROPER LAWN TRACTOR



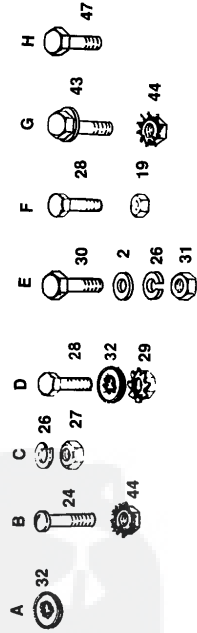
REPAIR PARTS

ELECTRICAL

KEY. PART NO.	DESCRIPTION
1	123198X Wing Nut 1/4 - 20
2	19091016 Washer 9/32 x 5/8 x 16 Ga.
3	102476X Terminal Guard
4	72240460 Carriage Bolt 1/4 - 20 x 7 1/2
5	121265X Battery 12V. (Shipped Dry, Purchase Battery Acid Locally)
6	7603J Battery Tray
7	121293X Ignition Harness
8	110859X Harness, Light Socket
9	7662J Light Bulb
10	7604J Tube, Battery Tray
11	7192J Cable Tie
12	109553X Switch, Interlock, Attachment Clutch
13	4206J Cable, Battery (Battery to Solenoid)
14	4406R Switch, Ignition
15	109788X Nut, Ignition
16	109434X Key
17	109081X Solenoid
18	110712X Switch, Light
19	73680400 Nut, Hex 1/4 - 20
20	4171R Clip Wire
21	4799J Cable, Battery (Solenoid to Starter)
22	719J Terminal Cover (For Solenoid)
23	4207J Cable, Battery (Battery to Ground)
24	74641008 Screw 10/32 x 1/2 Pan Head UNF
25	109596X Clamp, Hose
26	10040400 Lockwasher 1/4
27	73350400 Nut, Hex Jam 1/4 - 20
28	74780408 Bolt, Hex 1/4 - 20 x 1/2 Gr. 5
29	73510400 Nut, Keps, Hex 1/4 - 20

ROPER LAWN TRACTOR

KEY. PART NO.	DESCRIPTION
30	74760412 Bolt, Hex 1/4 - 20 x 3/4
31	73220400 Nut, Hex 1/4 - 20
32	11050400 Washer, Lock 1/4 - 20 Int. Tooth
33	108824X Fuse, 30 AMP
34	9433R Ammeter
35	6009J Bracket, Ammeter
36	10101000 Lockwasher
37	73911000 Nut
38	19070818 Washer, 7/32 x 1/2 x 18 Ga.
39	102501X Loop, Wire
40	235R Clip, Insulated
42	104445X Switch, Interlock, Clutch Pedal
43	71031008 Hex Washer Head Screw
44	73951000 Nut, Keps #10-32 UNF
45	109787X Bezel, Ignition
46	121305X Switch, Plunger
47	17021008 Screw, Hex Tapping #10-24 x 1/2
48	121264X Battery Caps Set
49	121549X Decal, Battery Caution
--	122368X Manual, Owners - English
--	122369X Manual, Owners - French
--	101539X Sheet, Inst. Tractor 15° Slope English
--	101572X Sheet, Inst. Tractor 15° Slope French

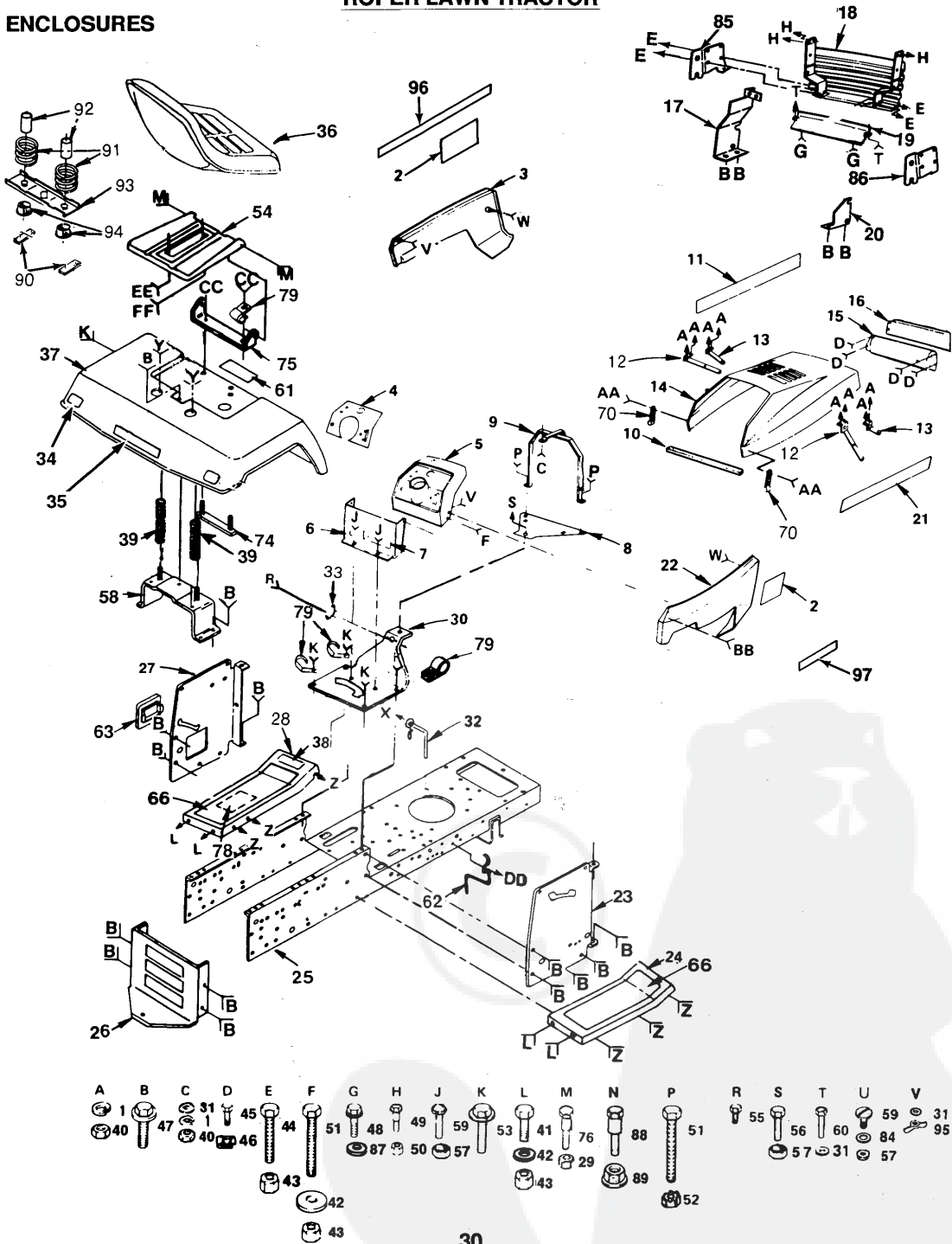


Note: All component dimensions given in U.S. inches. 1 in. = 25.4 mm

REPAIR PARTS

ROPER LAWN TRACTOR

ENCLOSURES



REPAIR PARTS

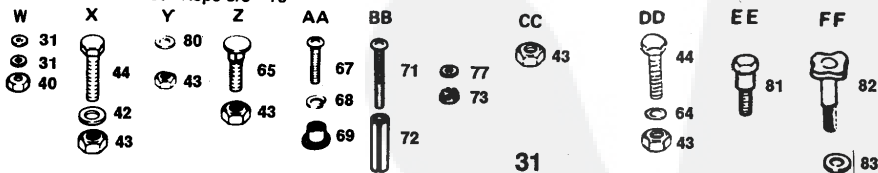
ROPER LAWN TRACTOR

ENCLOSURES

KEY. NO.	PART NO.	DESCRIPTION	KEY. NO.	PART NO.	DESCRIPTION
1	10040400	Washer, Lock 1/4	53	17490608	Screw - Hex Washer Hd. Thd. Forming 3/8 - 16 x 1/2 Type TT
2	121271X	Decal, Side Panel	54	121247X	Pan - Seat
3	108442X388	Panel, Side L.H.	55	17431008	Screw - Hex Head Self Tapping No. 10 - 16 x 1/2 ype B
4	121286X012	Plate, Dashboard	56	74780512	Bolt - Hex 5/16 - 18 x 3/4 Gr. 5
5	121312X	Dashboard	57	73510500	Nut - Keps 5/16 - 18
6	104783X	Dash, Lower	58	105509X	Bracket Assembly - Fender
7	109821X	Decal, Instruction	59	74180512	Screw - Truss Hd. 5/16 - 18 x 3/4
8	106965X	Plate, Support, Battery	60	17490412	Screw - Hex Washer Hd. 1/4 - 20 x 3/4
9	104786X	Support Assembly, Dash	61	120822X	Decal - Caution
10	105037X	Foam, Strip	62	121441X	Guide - Belt, Lower, Engine, Pulley, R.H.
11	121587X	Decal, Hood L.H.	63	121794X	Cover - Access
12	106784X	Strap Assembly, Hinge, Rear	64	19132012	Washer 13/32 x 1 - 1/4 x 12 Ga.
13	104618X	Strap Assembly, Hinge, Front	65	72140606	Bolt - Carriage 3/8 - 16 x 3/4
14	108370X388	Hood	66	109864X	Pad - Footrest
15	104613X	Bezel Assembly	67	74191008	Screw - cross Recess Pan Hd. Mach. 10 - 24 x 1/2
16	106395X	Lens	68	10071000	Washer - Lock No. 10
17	121610X	Bracket Assembly Frame Pivot L.H.	69	2029J	Nut - Weld
18	104801X	Grill Assembly	70	109808X	Latch - Hood
19	105419X388	Strap, Grill	71	74981020	Screw - Machine Cross Recess 10 - 24 x 1 - 1/4
20	110852X	Bracket Assembly Frame Pivot R.H.	72	7206J	Spacer - Split 10 x 3/4
21	121588X	Decal, Hood, R.H.	73	73731000	Nut - Keps 10 - 24
22	109613x388	Panel, Side, R.H.	74	105511X	Strap Assembly - Fender
23	106976X	Panel, Dash, R.H.	75	105513X	Bracket - Pivot, Seat
24	105464X388	Footrest, R.H.	76	105529X	Bolt - Shoulder
25	121277X	Chassis	77	19070818	Washer 7/32 x 1/2 x 18 Ga.
26	121306X	Drawbar	78	109199X	Decal - V - Belt Ground Drive
27	109665X	Panel-Dash,L.H.	79	2751R	Clip - Fuel Line
28	105465X388	FootRest-R.H.	80	19131614	Washer 13/32 x 1 x 14 Ga.
29	73680500	Nut-Crownlock 5/16-18	81	121144X	Shoulder - Bolt 5/16 x 18 UNC
30	108263X011	Saddle	82	120068X	Knob - 1/2
31	19091216	Washer 9/32 x 3/4 x 16 Ga.	83	19171912	Washer 17/32 x 1 3/16 x 12 Ga.
32	121440X	Guide-Belt, Lower, Engine Pulley, L.H.	84	19111116	Washer 11/32 x 11/16 x 16 Ga.
33	1554J	Bushing-Steering	85	110855X	Bracket Asm. L.H. Pivot
34	106202X	Reflector-Taillight	86	110854X	Bracket Asm. R.H. Pivot
35	121586X	Decal-Fender,Roper	87	19131210	Washer 13/32 x 3/4 x 10 Ga.
36	121442X	Seat	88	72170410	Bolt Carriage 1/4 - 20 x 1 - 1/4
37	121663X388	Fender	89	73900400	Nut - Hex Flange 1/4 - 20
38	101892X	Decal-Clutch/Brake	90	121251X	Foam Strip
39	121067X	Spring,Seat	91	121250X	Spring
40	73220400	Nut-Hex 1/4-20	92	121249X	Spacer
41	74760612	Bolt-Hex 3/8-16 x 3/4	93	121246X	Bracket - Switch Mount
42	19131312	Washer 13/32 x13/16 x12 Ga.	94	121248X	Snap Bushing
43	73680600	Nut-Crownlock 3/8-16	95	73490400	Wing Nut 1/4 - 20
44	74760616	Bolt-Hex 3/8-16 x 1	96	121589X	Decal - Side Panel Stripe
45	17211010	Screw-Hex Washer Hd. Tapping 10-16 x 5/8	97	121614X	Decal - Side Panel Stripe
46	104755X	"J" Fastener			
47	17490612	Screw-Hex Washer Hd. Thd. Rolling 3/8 - 16 3/4 Type TT			
48	17490512	Screw - Hex Washer Hd. Thd. Rolling 5/16 - 18 x 3/4 Type TT			
49	7605J	Bolt - Shoulder 1/4 - 20			
50	73680400	Nut - Crownlock 1/4 - 20			
51	74760620	Bolt - Hex 3/8 - 16 x 1 - 1/4			
52	73510600	Nut - Keps 3/8 - 16			

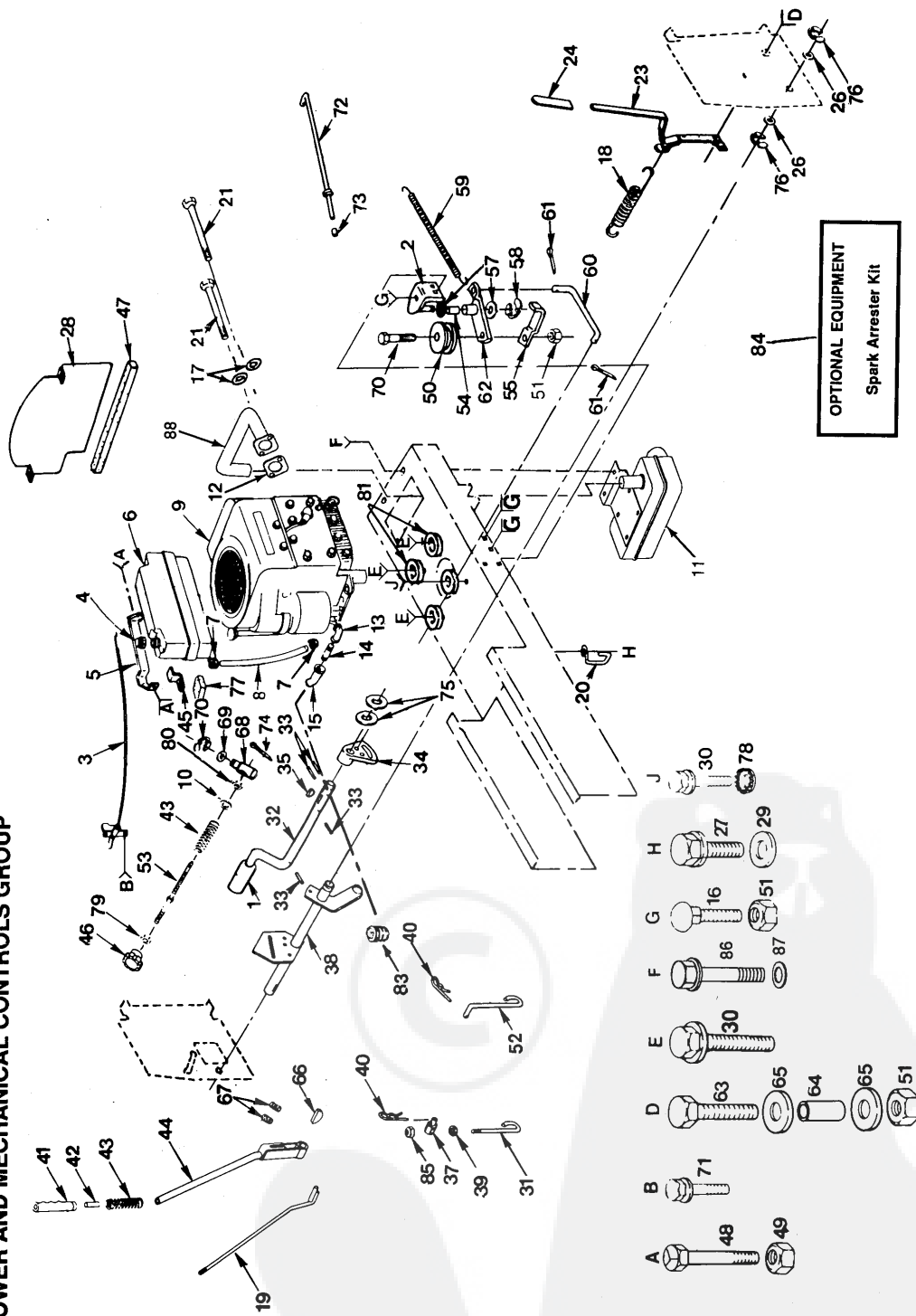
NOTE: All component dimensions given in U.S. inches.

1 inch = 25.4 mm



REPAIR PARTS

**12 HP LAWN TRACTOR
POWER AND MECHANICAL CONTROLS GROUP**



- A 48 49
- B 71
- D 63 65 64 65 51
- E 30
- F 86 87
- G 16 51
- H 27 29
- J 30 78

OPTIONAL EQUIPMENT
Spark Arrester Kit

REPAIR PARTS

12 HP LAWN TRACTOR

POWER AND MECHANICAL CONTROLS GROUP

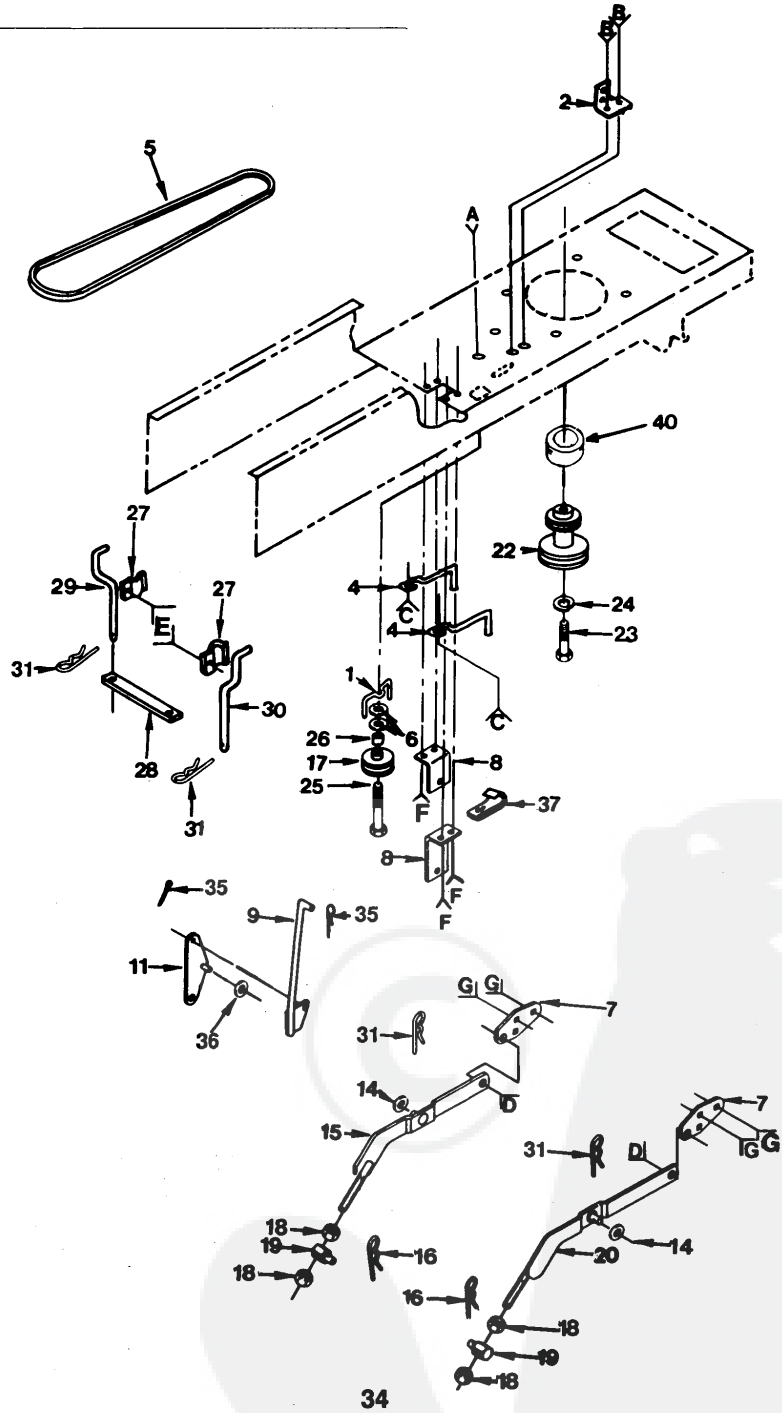
KEY. PART NO.	DESCRIPTION	KEY. PART NO.	DESCRIPTION	KEY. PART NO.	DESCRIPTION
1 8883R	Pedal Cover	27 17490612	Screw, Hex Washer Thd. Rolling 3/8 - 16 x 3/4	57 110812X	Washer, Hardened
2 105724X	Bracket Assembly, Clutch	28 109623X	Baffle, Vertical	58 12000039	Ring, Klip
3 122272X	Control, Throttle	29 19131312	Washer 13/32 x 13/16 x 12 Ga.	59 105709X	Spring, Return Clutch
4 8504J	Fuel Cap	30 17490628	Screw, Hex Washer Hd. Thread Rolling 3/8 - 16 x 1 - 3/4 Type TT	60 105710X	Link, Clutch
5 121281X	Support, Tank, Fuel	31 110448X	Link, Lift, Adjustable	61 76020412	Pin, Cotter 1/8 x 3/4
6 121280X	Tank, Fuel	32 109037X	Shaft, Pedal, Foot	62 105705X	Belcrank Assembly (Inc. Key No. 54)
7 123487X	Hose Clamp	33 1572H	Roll Pin 3/16 x 1	63 74760624	Bolt Hex 3/8 - 16 x 1 - 1/2
8 7833R	Fuel Line	34 106918X	Arm, Brake	64 108056X	Bushing, Handle, Clutch
9 281707	Engine Briggs & Stratton, Type No. 0199-01	35 2228M	Woodruff Key	65 19121612	Washer 3/8 x 1 x 12 Ga.
10 19131016	Washer 13/32 x 5/8 x 16 Ga.	36 74780408	Bolt, Hex 1/4 - 20 x 1/2 Gr. 5	66 8330H	Woodruff Key 1/4 x 1
11 123075X	Muffler, Europe	37 110447X	Trunnion, Lift	67 23180606	Set Screw, Hex Socket Forged
12 1407J	Gasket, Exhaust	38 120174X	Shaft, Assembly/Lift	68 110810X	Headless 3/8 - 16 x 3/8
13 13240300	90° Street Elbow 3/8 NPT	39 73360700	Nut, Hex Jam 7/16 - 20	69 19151216	Trunnion, Stop, Depth
14 13280328	Std. Pipe Nipple 3/8 - 18 NPT x 3 - 1/2	40 4939M	Retainer Spring	70 12000037	Washer 15/32 x 3/4 x 16 Ga.
15 13200300	90° Elbow 3/8 NPT	41 109413X	Grip, Handle	71 17080408	Klip Ring
16 72140606	Bolt, Carriage 3/8 - 16 x 3/4	42 105723X	Plunger, Lever, Hand	72 105844X	Screw Hex Washer Head Thread
17 10040500	Washer Lock 5/16	43 2876H	Spring	73 71673	Cutting 1/4 - 20 x 1/2
18 102727X	Spring, Extension	44 104597X	Lever Assembly, Hand Kit (Inc. Key No's 42, 43 and 2 each 67)	74 76020308	Rod, Brake, Park
19 104598X	Rod Assembly, Lever	45 104799X	Brace, Tank	75 121749X	Plunger Cap
20 104777X	Retainer, Belt, Chassis L.H.	46 121891X	Handle, Adjust Lift	76 12000022	Cotter Pin 3/32 x 1/2
21 71070510	Screw, Hex.-Hd. Cap 5/16 - 18 x 5/8	47 104915X	Strip, Foam 14.5"	77 6431J	Washer 25/32 x 1 - 1/4 x 16 Ga.
23 106983X	Handle, Clutch Attachment	48 74780512	Bolt, Hex 5/16 - 18 x 3/4 Gr. 5	78 11050600	E-Ring
24 4617J	Grip, Handle	49 73680500	Locknut 5/16 - 18 Gr. B	79 73350600	Washer, Lock 3/8 - Ext. Tooth
25 10040400	Lockwasher 1/4	50 106296X	Pulley, Idler	80 110807X	Nut, Special
26 19292016	Washer 29/32 x 1 - 1/4 x 16 Ga.	52 110029X	Link, Lift	81 101200K	Nut, Special
		53 110729X	Rod, Adjust, Lift	83 13290300	Spacer
		54 105706X	Bearing	84 123110X	Oil Drain Plug
		55 106499X	Retainer, Belt	85 73710700	Spark Arrestor Kit
				86 17490512	Nut, Jam Crownlock 7/16 - 20
					Screw Hex Washer Hd Thread
					Rolling 5/16-18 x 3/4
					Washer 11/32 x 3/4 x 16 Ga.
					Pipe, Exhaust

NOTE: All component dimensions given in U.S. inches.

1 inch = 25.4 mm

REPAIR PARTS

DRIVE GROUP 12 HP LAWN TRACTOR

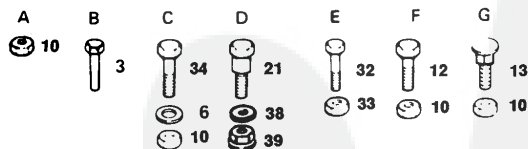


REPAIR PARTS
ROPER LAWN TRACTOR
DRIVE GROUP

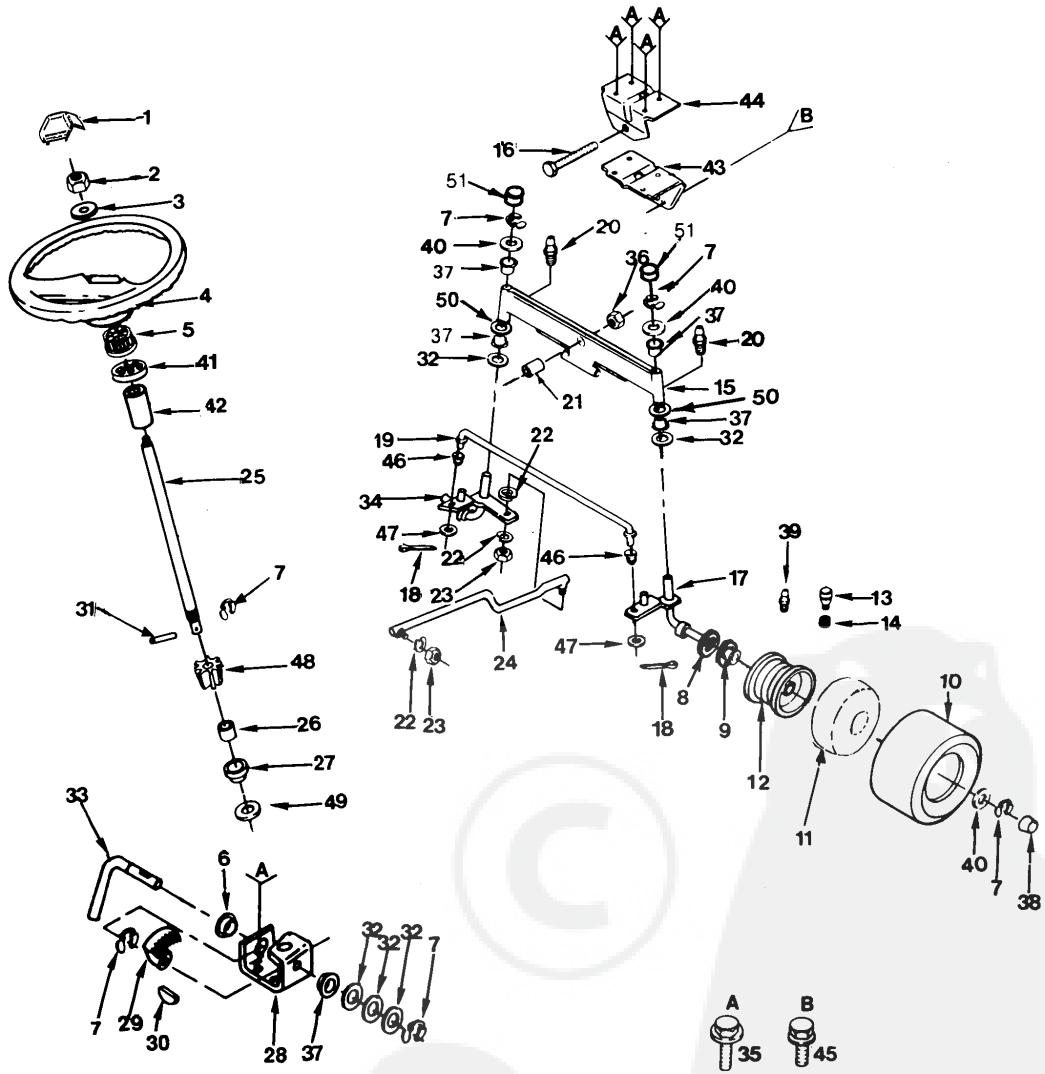
KEY. PART NO.	PART NO.	DESCRIPTION
1	109070X	Keeper, Belt
2	108236X	Bracket, Switch
3	17021008	Screw, Tap. Hex Hd. 10 - 24 x 1/2
4	105730X	Keeper, Belt, Engine
5	120302X	V-Belt, Drive
6	19131312	Washer 13/32 x 13/16 x 12 Ga.
7	105864X	Bracket, Suspension
8	106444X	Bracket, Bellcrank
9	108451X	Rod Assembly, Clutch Primary
10	73680600	Nut, Crownlock 3/8 - 16
11	109728X	Bellcrank Assembly
12	74760612	Bolt, Hex 3/8 - 16 x 3/4
13	72140606	Bolt, Rd. Hd. Sq. Neck 3/8 - 16 x 3/4
14	19171516	Washer 17/32 x 15/16 x 16 Ga.
15	121599X	Arm Assembly, Suspension, L.H.
16	9135R	Retainer, Spring
17	4859J	Idler, Flat
18	73220800	Nut, Hex 1/2 - 13
19	106308X	Trunnion, Lift Lower
20	121598X	Arm Assembly, Suspension R.H.
21	105848X	Bolt, Shoulder 3/8 - 16
22	105731X	Pulley, Engine
23	74770728	Bolt, Hex 7/16 - 20 x 1 - 3/4
24	10040700	Washer, Lock
25	74760644	Bolt, Hex 3/8 - 16 x 2 - 3/4
26	4470J	Spacer
27	106190X	Clamp
28	109370X	Strap, Locator
29	109368X	Keeper, Belt, L.H.
30	109369X	Keeper, Belt, R.H.
31	4921H	Spring, Retainer
32	74760512	Bolt, Hex 5/16 - 18 x 3/4
33	73680500	Nut, Lock 5/16 - 18
34	74760616	Bolt, Hex 3/8 - 16 x 1
35	76020412	Pin, Cotter 1/8 x 3/4
36	19131410	Washer, 13/32 x 7/8 x 10 Ga.
37	5320R	Clip, Insulated
38	110739X	Washer, Spring
39	73980600	Nut, Flange Lock 3/8
40	6404J	Spacer

NOTE: All component dimensions given in U.S. inches.

1 inch = 25.4 mm



REPAIR PARTS
ROPER LAWN TRACTOR
STEERING, FRONT AXLE AND WHEELS



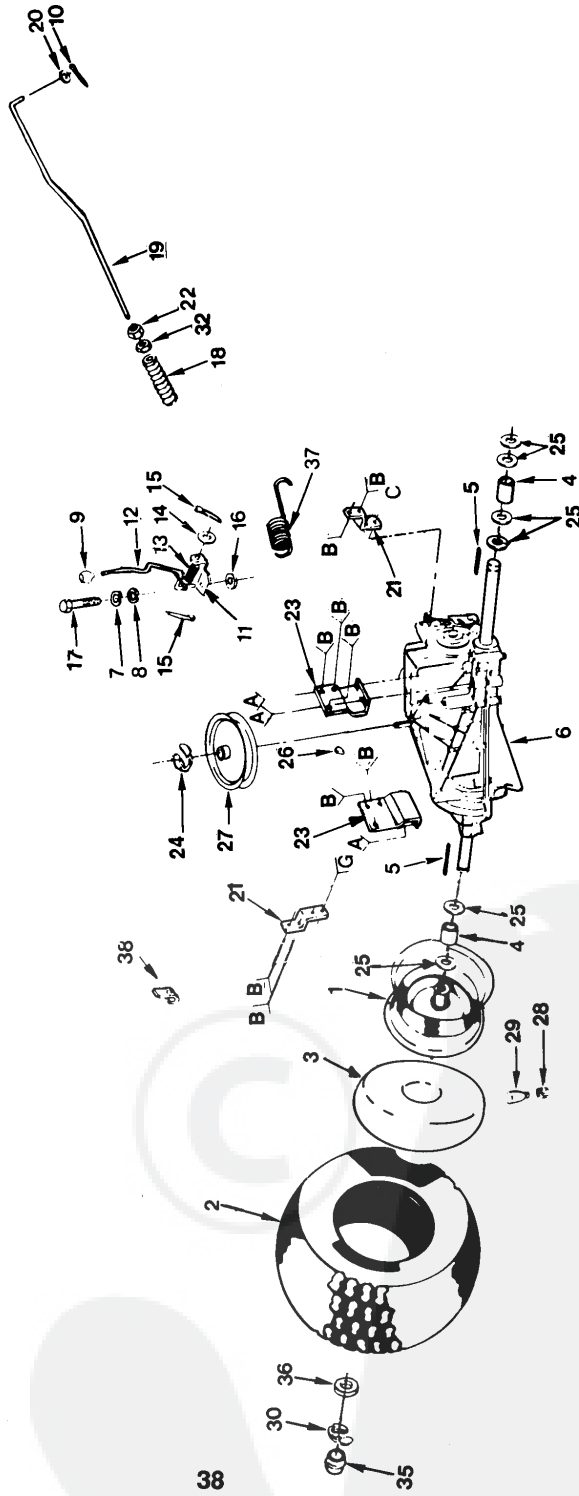
REPAIR PARTS

ROPER LAWN TRACTOR STEERING, FRONT AXLE AND WHEELS

KEY. PART NO. NO.	DESCRIPTION	KEY. PART NO. NO.	DESCRIPTION
1 121584X	Insert, Steering Wheel	29 108684X	Gear, Sector
2 73940800	Nut, Hex Jam Toplock 1/2 - 20	30 106126X	Woodruff Key 3/16 x 3/4
3 100712K	Washer 17/32 x 2 - 1/4 x .160	31 2882J	Drive Pin 3/16 x 1
4 121472X	Steering Wheel	32 6266H	Bearing Thrust
5 110711L	Adapter, Steering Wheel	33 108683X	Rod, Steering
6 109816X	Nyliner, Snap-in	34 105656X	Spindle Assembly, L.H.
7 12000029	Klipring	35 17490612	Screw, Hex Washer Hd. Thread Forming Type TT 3/8 - 16 x 3/4
8 121749X	Washer 25/32 x 1 - 1/4 x 16 Ga.	36 73901000	Nut, Flange 5/8 - 11
9 9040H	Bearings, Wheel, Front	37 3366R	Bearing
10 106222X	Tire, 15 x 6.00 - 6 (Tubeless)	38 104757X	Cap, Hub, Front
11 59904	Tube, Tire (not furnished with Tractor)	39 278H	Grease Fitting
12 106732X	Rim Assembly - 6" Front (Inc. 2 each Key No. 9)	40 121748X	Washer 25/32 x 1 - 5/8 x 16 Ga.
13 65139	Stem, Valve	41 106943X	Spacer, Shaft, Steering
14 59192	Cap, Valve	42 106944X	Tube, Shaft, Steering
15 108076X	Axle Assembly, Front	43 105664X	Support, Saddle, Front
16 74761060	Bolt, Hex 5/8 - 11 x 3 - 3/4	44 105663X	Support, Saddle, Rear
17 105654X	Spindle Assembly, R.H.	45 17490508	Screw, Hex Washer Thd. Rolling 5/16 - 18 x 1/2
18 76020412	Pin, Cotter 1/8 x 3/4	46 120754X	Bushing
19 105715X	Tie Rod	47 19131416	Washer 13/32 x 7/8 x 16 Ga.
20 6855M	Fitting, Grease	48 108685X	Gear, Pinion
21 110438X	Spacer Bearing, Front Axle	49 101930X	Washer, Hardened
22 10040600	Lockwasher 3/8	50 19272016	Washer 27/32 x 1 - 1/4 x 16 Ga.
23 73610600	Nut, Hex 3/8 - 24	51 121232X	Spindle Cap
24 105727X	Drag Link		
25 109556X	Shaft, Steering		
26 74580	Spacer		
27 71208	Bushing, Steering Rod		
28 109432X	Bracket Assembly, Steering		

NOTE: All component dimensions given in U.S. inches.
1 inch = 25.4 mm

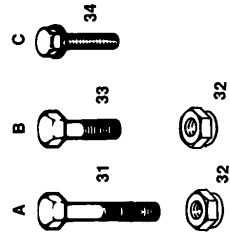
**REPAIR PARTS
ROPER LAWN TRACTOR
TRANSAXLE AND REAR WHEEL**



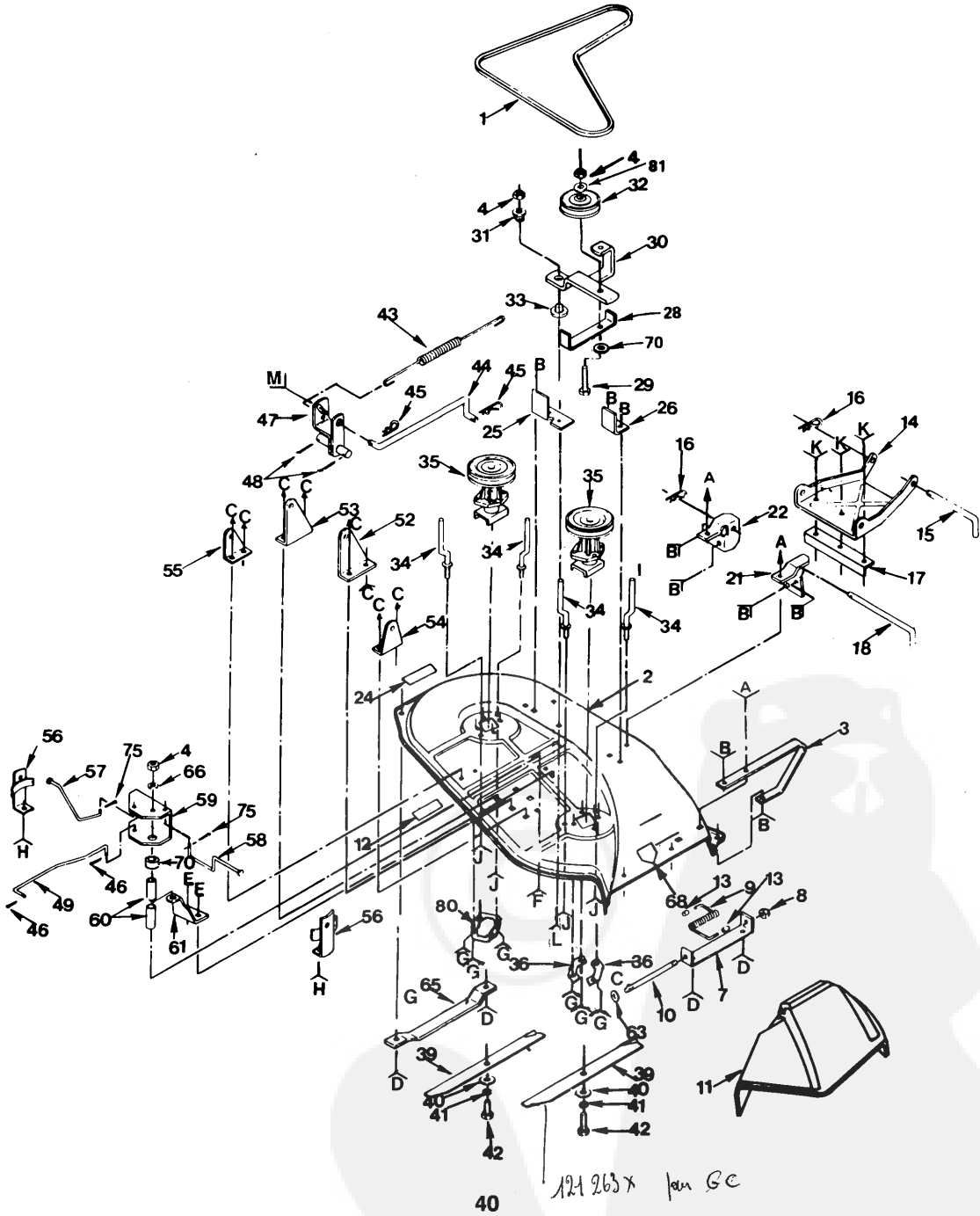
REPAIR PARTS
ROPER LAWN TRACTOR
TRANSAXLE AND REAR WHEEL

KEY. PART NO.	DESCRIPTION	KEY. PART NO.	DESCRIPTION
1	106108X Rim Assembly - 8" Rear	21	121520X Strap, Torque
2	106268 Tire 18 x 9.50 - 8 (Tubeless)	22	73350600 Nut, Hex Jam 3/8 - 16
3	7152J Tube, Tire (not furnished with Tractor)	23	109167X Bracket, Transaxle
4	109502X Spacer, Split	24	12000028 Ring, Retainer
5	2703J Key, Square 3/16 x 2	25	121749X Washer 25/32 x 1 - 1/4 x 16 Ga.
6	4360-7 Transaxle Foot 6 Speed (see pages 42 and 43 for parts breakdown)	26	2228M Woodruff Key 3/16 x 3/4
7	1004040 Washer, Lock 1/4	27	105703X Pulley, Input Transaxle
8	19091210 Washer 9/32 x 3/4 x 10 Ga.	28	59192 Cap, Valve
9	121274X Knob, Control	29	65139 Stem, Valve
10	76020412 Cotter Pin 1/8 x 3/4	30	12000001 E-Ring
11	106919X Plate, Rod, Shift	31	74760644 Bolt, Hex 3/8 - 16 x 2 - 3/4
12	121728X Rod, Shifter	32	73680600 Nut, 3/8 - 16
13	105700X Spring, Torsion	33	74760612 Bolt, Hex 3/8 - 16 x 3/4
14	19151216 Washer 15/32 x 3/4 x 16 Ga.	34	17490512 Screw Hex Washer Hd. Thd. Form. Type TT 5/16 - 18 UNC x 3/4
15	76020416 Pin, Cotter 1/8 x 1	35	104757X Cap, Hub, Rear
16	105710X Washer, Shift Plate	36	121748X Washer 25/32 x 1 - 5/8 x 16 Ga.
17	71040412 Bolt, Hex 1/4 - 28 x 3/4 Gr. 8	37	110422X Spring, Brake Return
18	106888X Spring, Rod, Brake	38	2751R Clip, Fuel Line
19	110437X Rod, Brake		
20	19131316 Washer 13/32 x 13/16 x 16 Ga.		

NOTE: All component dimensions given in U.S. inches.
 1 inch = 25.4 mm



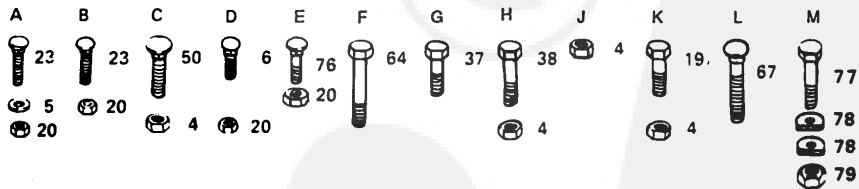
REPAIR PARTS
ROPER LAWN TRACTOR
38" MOWER



REPAIR PARTS
ROPER LAWN TRACTOR
38" MOWER

KEY. PART NO.	PART NO.	DESCRIPTION	KEY. PART NO.	PART NO.	DESCRIPTION
1	106085X	V-Belt	39	121263X	Blade = <i>Self Sharp Edge Point.</i>
2	121259X	Housing	40	19132012	Washer 13/32 x 1 - 1/4 x 12 Ga.
3	8417J	Runner R.H.	41	10030600	Washer, Lock 3/8
4	73680600	Nut, Lock 3/8 - 16	42	74610624	Bolt, Hex 3/8 - 24 x 1 - 1/2 Gr. 5
5	19111216	Washer 11/32 x 3/4 x 16 Ga.	43	108250X	Spring, Ext.
6	72140505	Bolt, Carr., 5/16 - 18 x 5/8	44	108235X	Rod, Clutch, Mower
7	105896X	Bracket, Deflector	45	4921H	Spring, Retainer
8	110452X	Push Nut	46	76020312	Pin, Cotter 3/32 x 3/4
9	106734X	Spring, Deflector	47	109892X	Rock Shaft Assembly
10	106735X	Rod, Hinge	48	76020616	Pin, Cotter 3/16 x 1
11	106736X	Deflector, Shield	49	108247X	Rod, Brake, Primary
12	105814X	Decal, V-Belt Mower Drive	50	72140606	Bolt, Carriage 3/8 - 16 x 3/4
13	105304X	Cap	52	108243X	Bracket, Pivot R.H.
14	105662X	Link, Parallel	53	108241X	Bracket, Pivot L.H.
15	105744X	Pin, Hinge, Front	54	105857X	Bracket, Susp., Rear R.H.
16	4921H	Spring, Retainer	55	108673X	Bracket, Susp., Rear L.H.
17	105872X	Stop, Link	56	106578X	Brake Assembly
18	109835X	Pin, Hinge, Rear	57	106463X	Rod, Brake, Secondary L.H.
19	74760612	Bolt 3/8 - 16 x 3/4	58	108249X	Rod, Brake, Secondary R.H.
20	73680500	Nut, Lock 5/16 - 18	59	106456X	Bracket, Brake, Pivot
21	109598X	Bracket, Lift R.H.	60	100672K	Spacer, Brake
22	109597X	Bracket, Lift L.H.	61	100673L	Bracket, Support
23	72140506	Bolt, Carriage 5/16 - 18 x 3/4	63	19111016	Washer 11/32 x 5/8 x 16 Ga.
24	109820X	Instruction, Caution Decal	64	74760688	Bolt 3/8 - 16 x 5 - 1/2
25	109503X	Support, Arm	65	7631J	Runner L.H.
26	109504X	Stop, Deck, Front	66	19131614	Washer 13/32 x 1 x 14 Ga.
27	---	Decal, Safety Standard -Not Serviced	67	72140610	Bolt, Carriage 3/8 - 16 x 1 - 1/4
28	121317x	Guide, Belt	68	121349X	Decal, Warning
29	74760632	Bolt 3/8 - 16 x 2	70	122314X	Spacer
30	108832X	Arm, Idler Assembly	75	76020308	Pin, Cotter 3/32 x 1/2
31	106902X	Spacer	76	72110506	Bolt, Carriage 5/16 - 18 x 3/4
32	121316X	Pulley, Idler	77	74760412	Bolt Hex 1/4 x 20 x 3/4
33	106513X	Washer, Wear 1/16	78	109893X	Washer, Special
34	102669X	Keeper, Belt	79	73680400	Nut, Lock 1/4 - 20
35	121687X	Mandrel, Assembly	80	110445X	Plate, Support L.H.
36	100668L	Plate, Support, Mandrel	81	19131316	Washer, 13/32 x 13/16 x 16 Ga.
37	17490612	Screw, Hex Washer Hd. 3/8 - 16 x 3/4			
38	17490620	Screw, Hex Washer Hd. 3/8 - 16 x 1 - 1/4			

NOTE: All component dimensions given in U.S. inches.
 1 inch = 25.4 mm

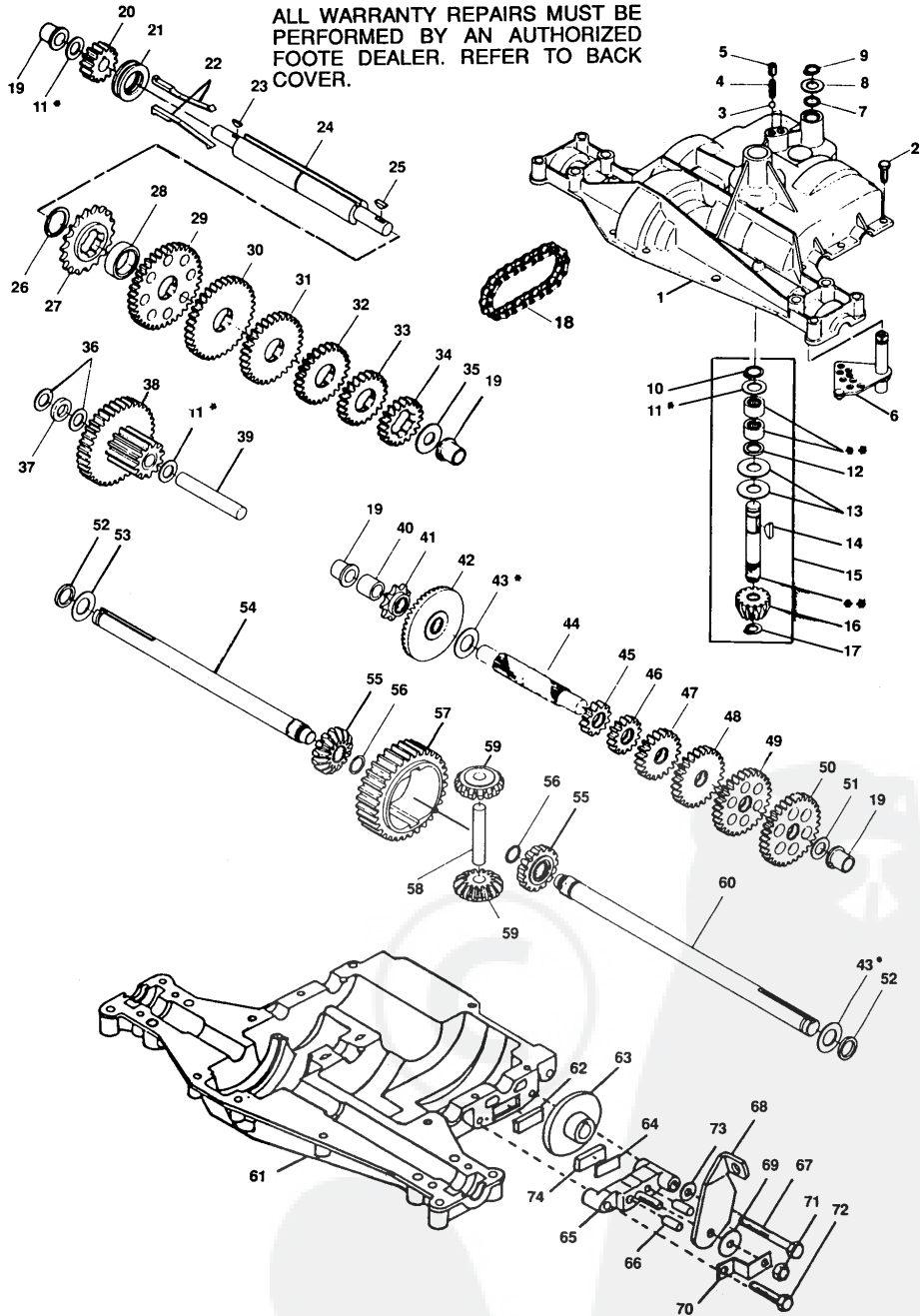


REPAIR PARTS

**ROPER LAWN TRACTOR
TRANSAXLE FOOTE -- MODEL NUMBER 4360-7**

TRANSAXLE

ALL WARRANTY REPAIRS MUST BE PERFORMED BY AN AUTHORIZED FOOTE DEALER. REFER TO BACK COVER.



REPAIR PARTS

ROPER LAWN TRACTOR

TRANSAXLE FOOTE - - MODEL NUMBER 4360-7

TRANSAXLE

KEY. PART NO.	PART NO.	DESCRIPTION	KEY. PART NO.	PART NO.	DESCRIPTION
1	3865	Housing, Upper	41	3645	Sprocket, 9T.
2	1919	Screw, Tapping 1/4 - 20 x .734 Lg.	42	3853	Gear, Bevel, 42T.
3	1151	Ball, Detent	43	3749	* Washer, Plain, .758 x 1.12 x .010
4	3626	Spring, Detent	43	3652	* Washer, Plain, .758 x 1.12 x .015
5	3623	Screw, Set	43	3693	* Washer, Plain, .758 x 1.12 x .020
6	4336	Assembly, Shifter	43	3653	* Washer, Plain, .758 x 1.12 x .025
7	3884	O-Ring	43	3408	* Washer, Plain, .758 x 1.25 x .020
8	3885	* Washer, Plain, .505 x .942 x .006	43	3732	* Washer, Plain, .758 x 1.25 x .025
8	3886	* Washer, Plain, .505 x .942 x .010	43	3184	* Washer, Plain, .758 x 1.25 x .031
8	3887	* Washer, Plain, .505 x .942 x .015	43	3733	* Washer, Plain, .758 x 1.25 x .035
8	3888	* Washer, Plain, .505 x .942 x .020	43	3198	* Washer, Plain, .758 x 1.25 x .040
8	3889	* Washer, Plain, .505 x .942 x .026	43	3734	* Washer, Plain, .758 x 1.25 x .045
8	3121	* Washer, Plain, .505 x .942 x .030	43	3735	* Washer, Plain, .758 x 1.25 x .050
8	3890	* Washer, Plain, .505 x .942 x .040	43	3736	* Washer, Plain, .758 x 1.25 x .055
9	1100	Ring, Retaining	43	3180	* Washer, Plain, .758 x 1.25 x .062
10	1099	Ring, Retaining	44	3882	Shaft, Drive
11	1959	* Washer, Plain, .632 x 1.00 x .010	45	3646	Gear, Spur, 12T.
11	1441	* Washer, Plain, .632 x 1.00 x .020	46	3707	Gear, Spur, 15T.
11	1423	* Washer, Plain, .632 x 1.00 x .026	47	3866	Gear, Spur, 20T.
11	1082	* Washer, Plain, .632 x 1.00 x .031	48	3719	Gear, Spur, 25T.
11	1424	* Washer, Plain, .632 x 1.00 x .036	49	3868	Gear, Spur, 28T.
11	1068	* Washer, Plain, .632 x 1.00 x .041	50	3683	Gear, Spur, 31T.
11	1425	* Washer, Plain, .632 x 1.00 x .046	51	1145	Washer, Plain, .632 x 1.00 x .060
11	1358	* Washer, Plain, .632 x 1.00 x .050	52	3191	Seal, Felt
11	1145	* Washer, Plain, .632 x 1.00 x .060	53	3180	Washer, Plain, .758 x 1.25 x .062
11	1319	* Washer, Plain, .632 x 1.00 x .082	54	3880	Axle, L.H.
12	3312	O-Ring	55	3780	Gear, Miter, 15T.
13	3876	Washer, Plain, .632 x 1.38 x .046	56	3656	Ring, Retaining
14	1374	Key, Woodruff, #9	57	3839	Gear, Spur, 32T.
15	4134	Assembly Kit, Input Shaft	58	3919	Shaft, Cross
16	3590	Pinion, Bevel, 14T.	59	3781	Gear, Miter, 15T.
17	3624	Ring, Retaining	60	3881	Axle, R.H.
18	3625	Chain, 24 Pitches	61	3864	Housing, Lower
19	1542	Bearing, Flange	62	3920	Puck, Friction
20	3773	Gear, Spur, 14T.	63	3276	Disc, Brake
21	3631	Collar, Clutch	64	3758	Spacer
22	3828	Key, Clutch	65	3916	Jaw, Brake
23	1369	Key, Woodruff, #3	66	3843	Pin, Dowel
24	3883	Shaft, Intermediate	67	3915	Screw, Tapping 5/16 - 18 x 2.25
25	1375	Key, Woodruff, #61	68	3768	Lever, Actuating
26	3627	Ring, Retaining	69	3760	Washer, Plain, .321 x 1.00 x .055
27	3830	Sprocket, 18T.	70	3917	Bracket, Anti-Rotation
28	3841	Spacer	71	3847	Nut, Lock 5/16 - 24
29	3786	Gear, Spur, 37T.	72	3724	Screw, Tapping 5/16 - 18 x 1.44 Lg.
30	3785	Gear, Spur, 35T.	73	3906	Washer, Plain, .343 x .81 x .059
31	3867	Gear, Spur, 30T.	74	3907	Puck, Friction
32	3783	Gear, Spur, 25T.	75	4300	Grease
33	3869	Gear, Spur, 22T.			
34	3741	Gear, Spur, 19T			
35	3628	Washer, Plain, .640 x 1.37 x .061			
36	1423	Washer, Plain, .632 x 1.00 x .026			
37	3422	Spacer, .630 x 1.00 x .169			
38	4286	Assembly, Gear, Combo., 12T. & 35T.			
39	3877	Shaft, Idler			
40	3901	Spacer, .635 x .875 x .755			

* Use in various combinations to maintain proper clearances.

** Order Key No. 15.

NOTE: All component dimensions given in U.S. inches.

1 inch = 25.4 mm

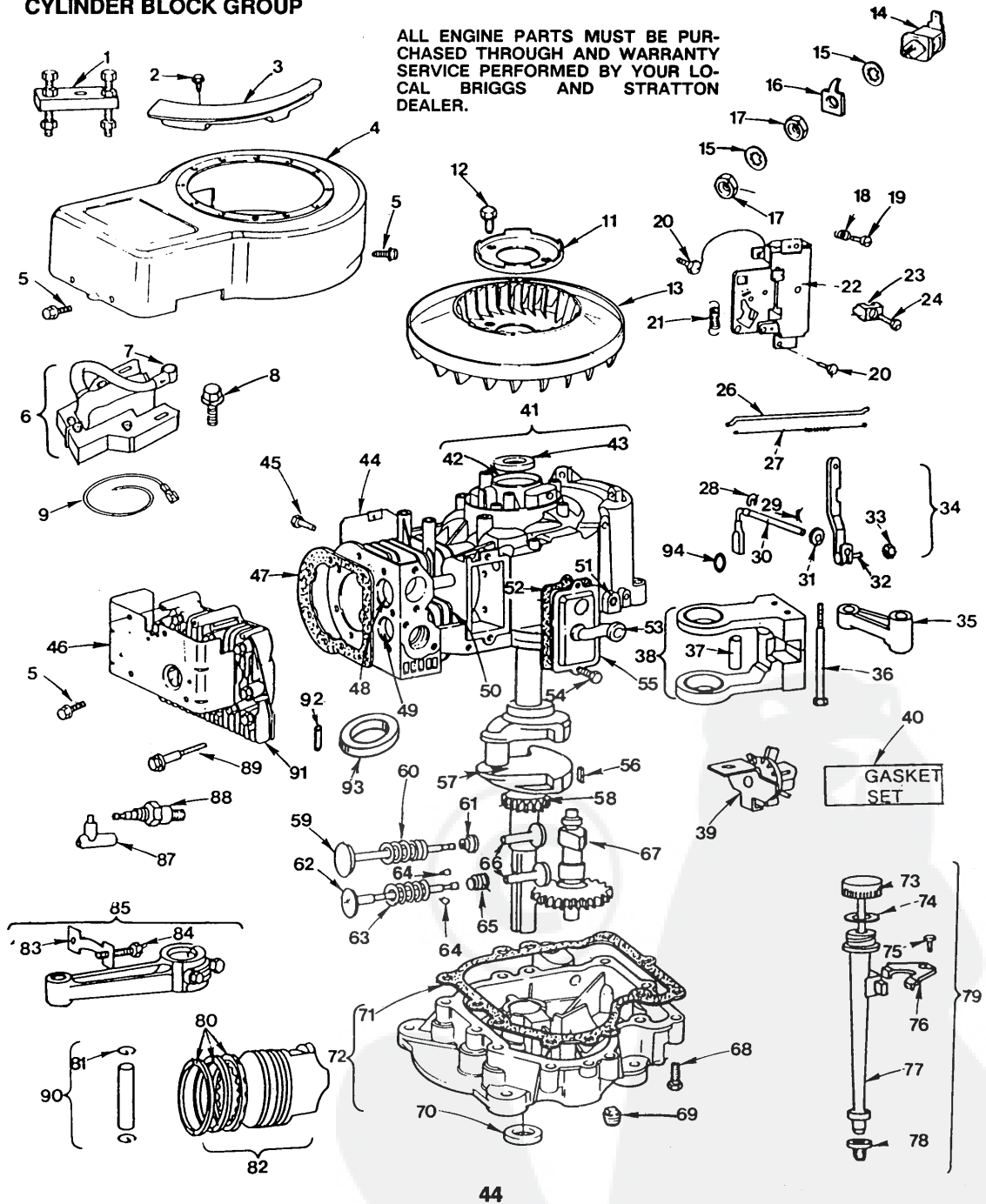
REPAIR PARTS

ROPER LAWN TRACTOR

ENGINE BRIGGS & STRATTON -- MODEL NUMBER 281707, TYPE NUMBER 0199-01

CYLINDER BLOCK GROUP

ALL ENGINE PARTS MUST BE PURCHASED THROUGH AND WARRANTY SERVICE PERFORMED BY YOUR LOCAL BRIGGS AND STRATTON DEALER.



REPAIR PARTS

ROPER LAWN TRACTOR

ENGINE BRIGGS & STRATTON - - MODEL NUMBER 281707, TYPE NUMBER 0199-01

CYLINDER BLOCK GROUP

KEY NO.	PART NO.	DESCRIPTION	KEY NO.	PART NO.	DESCRIPTION
1	19203	Puller - Flywheel	52	27803	*Gasket - Valve Cover
2	93705	Screw - Sem	53	280100	Tube - Breather
3	223752	Guard - Flywheel	54	93394	Screw Sem
4	490689	Housing - Blower	55	391406	Breather Assy
5	93158	Screw - Blower Housing Mtg. Sem	56	222698	Key - Flywheel
6	398811	Armature - Magneto (Inc. Key No. 7)	57	490466	Crankshaft (NOTE: Order Part No. 94196 for Timing Gear Key)
7	221798	Terminal - Ignition Cable	58	262135	Gear - Timing
8	93381	Screw - Armature Mounting Sem	59	262247	Valve - Intake
9	398808	Wire - Ground	60	65906	Spring - Intake Valve
11	223726	Retainer - Fan	61	221596	Retainer - Intake Valves
12	93535	Screw - Sem	62	262246	Valve - Exhaust
13	280687	Fan - Flywheel	63	26828	Spring - Exhaust Valve
14	398525	Insulator Assembly	64	93630	Retainer - Exhaust Valve Rotocoil
15	92791	Washer - Lock, Shakeproof	65	292260	Rotocoil - Exhaust Valve
16	93722	Terminal - Spade	66	262248	Tappet - Valve
17	90576	Nut - Hex 8-32	67	212897	Gear - Cam
18	26157	Spring - Throttle Adjustment	68	94305	Screw - Base Mtg. Sem
19	90200	Screw - Machine Fill. Hd. 8-32 x 1/2"	69	91084	Plug - Oil Drain
20	93572	Screw	70	291675	Seal - Oil
21	260695	Spring - Governor	71	271916	*Gasket - Crankcase Cover 1/64" thick
22	491594	Plate - Governor Control	71	271996	*Gasket - Crankcase Cover .005" thick
23	221535	Clamp - Casing	71	271997	*Gasket - Crankcase Cover .009" thick
24	93496	Screw - Sem	72	490452	Base - Engine (Inc. Key No.'s 70 & 71)
26	262348	Link - Governor	73	490327	Cap and Dipstick - Oil Filler
27	260584	Spring - Governor Link	74	270920	Seal - Oil Filler Cap
28	93307	Retainer - E-Ring	75	93804	Screw - Clamp Mtg.
29	93306	Cotter - Hair Pin	76	223721	Clamp - Oil Filler Tube
30	231058	Crank - Governor	77	280741	Tube - Oil Filler
31	222450	Washer - Governor Crank	78	68838	Seal - Filler Tube
32	92613	Bolt - Governor lever	79	490474	Fill Group - Oil (Inc. Key No.'s 73, 74, 75, 76, 77, & 78)
33	231082	Nut - Hex 10-24	80	394665	Ring Set - Piston - Std.
34	490927	Lever Assy - Governor (Inc. Key No.'s 32 & 33) (For 1/4" Dia. Crank)	80	391781	Ring Set - Piston - .010" O.S.
35	212359	Link - Counterweight	80	391782	Ring Set - Piston - .020" O.S.
36	93875	Screw - Counterweight	80	391783	Ring Set - Piston - .030" O.S.
37	298909	Pin - Counterweight	81	260924	Lock - Piston Pin
38	399891	Counterweight Assy (Inc. Key No. 37)	82	394661	Piston Assy - Std. (Inc. Key No.'s 80 & 81)
39	490815	Oil Slinger, Governor Gear and Bracket Assy	82	394662	Piston Assy - .010" O.S.
40	490525	Gasket Set	82	394663	Piston Assy - .020" O.S.
41	490450	Cylinder Assy (Inc. Key No.'s 42 & 43)	82	394664	Piston Assy - .030" O.S.
42	399265	+Bearing - Cylinder	83	222299	Lock - Connecting Rod Screw
43	391086	Seal - Oil	84	92909	Screw - Connecting Rod
44	223715	Shield - Cylinder	85	490348	Rod Assy - Connecting (Inc. Key No.'s 83 & 84) (For Connecting Rod with .020" Undersize Crank Pinbore Order No. 490469)
45	93163	Screw - Cylinder Shield Mtg. Sem	87	66538	Elbow - Spark Plug
46	491490	Cover - Cylinder Head	88	293918	Plug - Spark
47	271866	Gasket - Cylinder Head	89	93723	Screw - Cylinder Head
48	261463	+Seat - Intake Valve	90	299691	Pin Assy - Piston - Std. (Inc. Key No. 81)
49	210940	+Seat - Exhaust Valve	90	391286	Pin Assy - Piston - .005" O.S.
50	261961	+Guide - Exhaust Valve	91	491491	Head - Cylinder
51	491986	NOTE: 231218 Guide - Intake Valve (Brass) Bushing - Governor Crank	92	94160	Pin - Eccentric
			93	262243	Eccentric
			94	491323	Seal - Oil
			95	491255	Decal Set

NOTE: All component dimensions given in U.S. inches.
1 inch = 25.4 mm

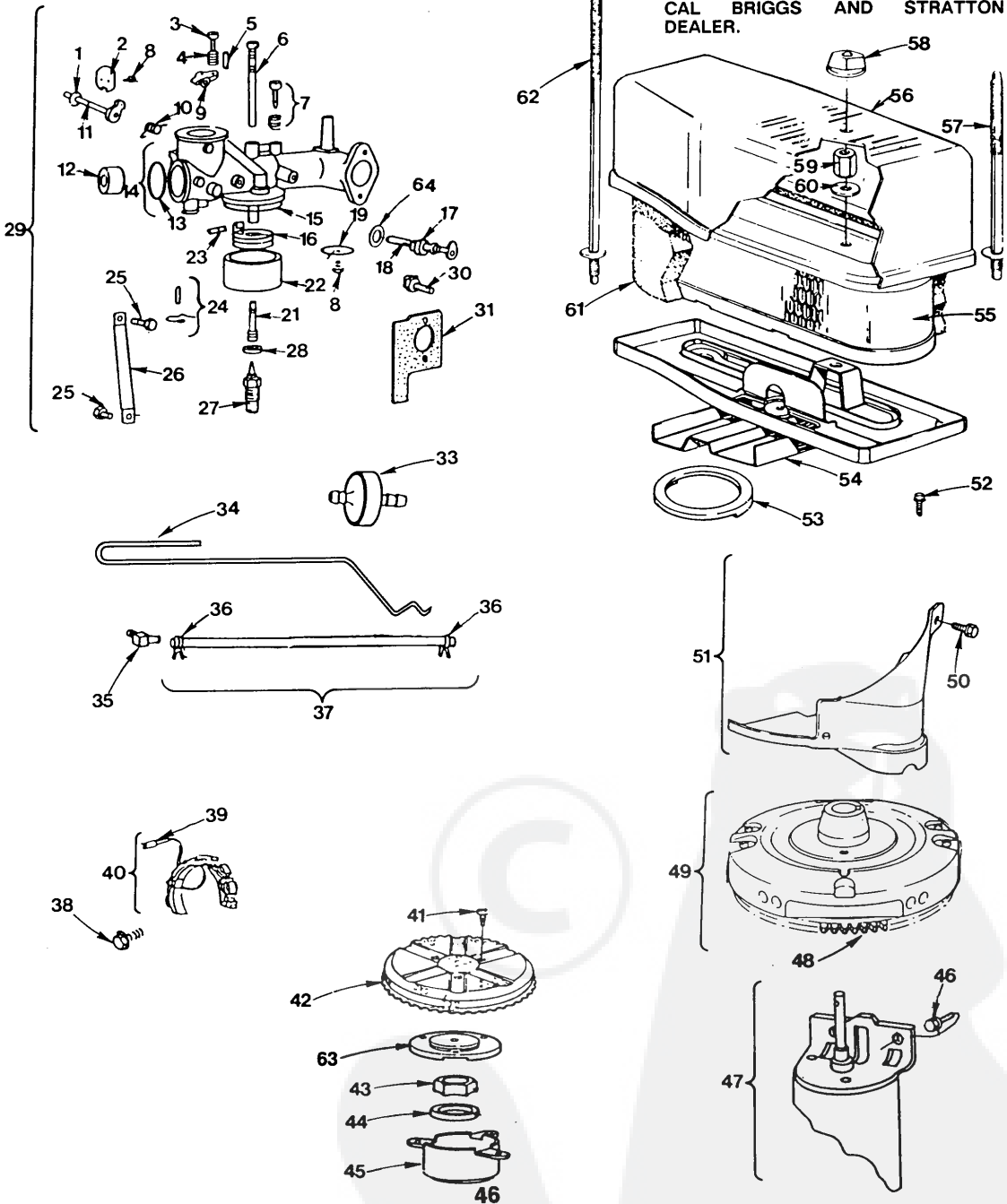
REPAIR PARTS

12 HP LAWN TRACTOR

ENGINE BRIGGS & STRATTON -- MODEL NUMBER 281707, TYPE NUMBER 0199-01

CARBURETOR

ALL ENGINE PARTS MUST BE PURCHASED THROUGH AND WARRANTY SERVICE PERFORMED BY YOUR LOCAL BRIGGS AND STRATTON DEALER.



REPAIR PARTS

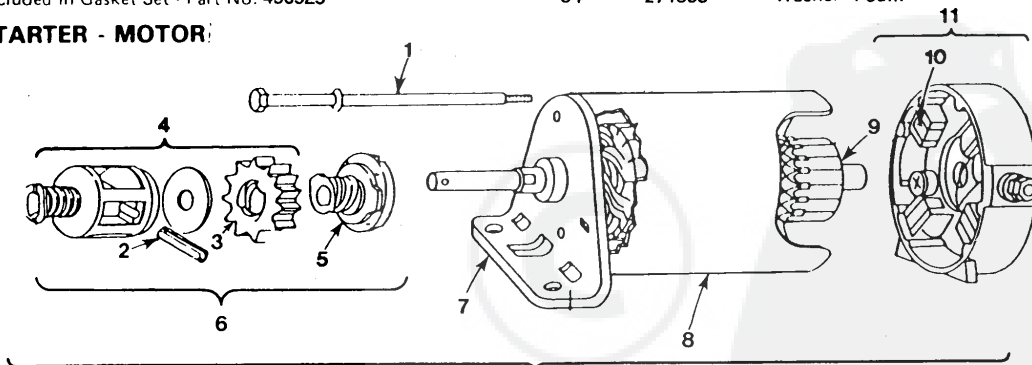
12 HP LAWN TRACTOR

ENGINE BRIGGS & STRATTON--MODEL NUMBER 281707, TYPE NUMBER 0199-01

CARBURETOR

KEY NO.	PART NO.	DESCRIPTION	KEY NO.	PART NO.	DESCRIPTION
1	270382	Washer - Choke Shaft	31	270872	* Gasket - Carburetor Mounting
2	222010	Valve Choke	33	394358	Filter - Fuel
3	91920	Screw - Machine, Fill. Hd. 8 32 x 5/8"	34	261610	Link - Choke
4	26157	Spring - Throttle Adjustment	35	67218	Connector - Fuel Pipe
5	93043	Pin - Throttle Shop	36	93053	Clamp - Fuel Pipe
6	299740	+Nozzle - Carburetor	37	393815	Line - Fuel (Inc. Key No. 36)
7	292681	+Valve Assy - Carburetor Idle	38	93621	Screw - Sem
8	93499	Screw - Throttle and Choke Valve Mtg. Sem	39	393814	Diode and Connector Assy
9	211712	Stop - Throttle	40	391529	Stator Assembly - Alternator (Inc. Key No. 39)
10	261116	Spring - Choke Return	41	93805	Screw - Sem
11	390684	Shaft and Lever - Choke	42	222562	Screen - Flush Rotating
12	211960	Venturi - Carburetor	43	92284	Nut - Hex
13	221997	Plug - Welch	44	224061	Washer - Spring
14	490473	Body Assy Carburetor (Inc. Key No. 13)	45	222561	Cup - Screen Mounting
15	270511	Gasket - Float Bowl	46	93535	Screw - Sem
16	299707	Float - Carburetor	47	490420	Motor & Drive Assy (Inc. Key No. 46)
17	398970	Seal - Throttle Shaft	48	392134	Gear - Ring
18	491006	Shaft and Lever - Throttle	49	492326	Flywheel and Ring Gear Assy
19	222433	Valve - Throttle	50	93984	Magneto (Inc. Key No. 48)
21	231323	+Screw - Nozzle	51	490324	Screw - Sem
22	221995	Bowl - Float	52	94018	Cover - Starter (Inc. Key No. 50)
23	230896	+ Pin - Float Hinge	53	270853	Screw - Sem
24	394681	+ Valve - Fuel Inlet	54	490332	Gasket - Air Cleaner
25	93572	Screw	55	399806	Body - Air Cleaner
26	222311	Bracket - Carburetor	56	223700	Cartridge - Air Cleaner
27	396568	+Valve - Needle	57	94246	Cover - Air Cleaner
28	222014	+Washer - Float Bowl	58	212706	Stud - Air Cleaner
29	491031	Carburetor Assy (Inc. Key No.'s 1,2,3,4,5,6,7,8,&28)	59	231532	Knob - Air Cleaner
30	93357	Screw Carburetor Mtg.	60	94249	Nut - Air Cleaner Mtg.
		+Included in Carburetor Overhaul Kit - Part No. 394698	61	271962	Washer - Air Cleaner
		*Included in Gasket Set - Part No. 490525	62	94248	Element - Air Cleaner
			63	280848	Stud - Air Cleaner
			64	271853	Spacer - Screen
					Washer - Foam

STARTER - MOTOR



KEY NO.	PART NO.	DESCRIPTION	KEY NO.	PART NO.	DESCRIPTION
1	94004	Thru Bolt Assembly	7	394857	End Cap Assembly Drive
2	94288	Roll Pin	8	394544	Housing Assy
3	280104	Gear	9	391160	Armature Assy
4	490467	Retainer Kit (Inc. Key No.'s 3, 4 & 6)	10	395538	Brush Assy
5	398003	Clutch Assembly	11	395537	End Cap Assy Commutator (Inc. Key No. 10)
6	490421	Drive Assembly (Inc. Key No.'s 2,3,4,&5)	12	490420	Motor & Drive Assy (Inc. Key No.'s 1,2,3,4,5,6,7,8,9,10&11)

**Superseding Warranty
BRIGGS & STRATTON ENGINE WARRANTY POLICY
effective July 1, 1988
Replaces all undated previous Warranties and all Warranties
dated before July 1, 1988**

When warranty repair is justified, Briggs & Stratton Corporation welcomes such repair by any of its Authorized Service Centers.

In most instances, the requests for warranty brought to the attention of our Service Accounts are handled in a prompt routine manner with no question regarding their validity. However, some requests for warranty are received which appear not justified. In these cases, engine owners may not be aware that the premature failure of their engine was the result of abuse or neglect, or that the difficulty which they experience is caused by the equipment rather than the engine.

BRIGGS & STRATTON WARRANTY covers only DEFECTIVE MATERIAL and/or WORKMANSHIP.

LIMITED WARRANTY

"For time period shown below from date of purchase, Briggs & Stratton Corporation will replace for the original purchasers, free of charge, any part, or parts of the engine, found upon examination by any Factory Authorized Service Center, or by the Factory at Milwaukee, Wisconsin, to be defective in material or workmanship or both; this is the exclusive remedy. All transportation charges on parts submitted for replacement under this Warranty must be borne by purchaser. For warranty service contact your nearest Authorized Service Center as listed in the 'Yellow Pages' under 'Engines, Gasoline' or 'Gasoline Engines.' THERE IS NO OTHER EXPRESS WARRANTY, IMPLIED WARRANTIES, INCLUDING THOSE OF MERCHANTABILITY AND FITNESS FOR A PARTICULAR PURPOSE ARE LIMITED TO ONE YEAR FROM PURCHASE AND TO THE EXTENT PERMITTED BY LAW ANY AND ALL IMPLIED WARRANTIES ARE EXCLUDED. LIABILITY FOR CONSEQUENTIAL DAMAGES UNDER ANY AND ALL WARRANTIES ARE EXCLUDED TO THE EXTENT EXCLUSION IS PERMITTED BY LAW. Some states do not allow limitations on how long an implied warranty lasts, and some states do not allow the exclusion or limitation of incidental or consequential damages, so the above limitation and exclusion may not apply to you. This warranty gives you specific legal rights and you may also have other rights which vary from state to state."

Briggs & Stratton Corporation
F. P. Stratton, Jr.
Chairman and Chief Executive Officer

WARRANTY PERIOD

ENGINES	CONSUMER USE*	COMMERCIAL USE*
All 2 thru 18 hp engines on non-lawn mowing equipment.	1 year-engine	1 year-engine
All 2 thru 18 hp engines on lawn mowing equipment and all Sno Gard engines	2 year-engine*** 5 year-Magnetron® Ignition***	1 year-engine
All Vanguard and I/C® engines	2 year-engine Lifetime** - Magnetron® Ignition	2 year-engine Lifetime** - Magnetron® Ignition

* For purposes of this warranty policy, "consumer use" shall mean personal residential household use by the original retail consumer. "Commercial use" shall mean all other uses, including use for commercial, income producing or rental purposes. Once an engine has experienced commercial use, it shall thereafter be considered as a commercial use engine for purposes of this warranty policy.

** Lifetime limited warranty of the Magnetron® Ignition shall cover parts and labor for the first five (5) years from the date of purchase; thereafter only parts. "Lifetime" shall mean lifetime of the engine in the hands of the original purchaser.

*** Applies to equipment retailed in the U.S.A. and Canada. In all other countries, the warranty for CONSUMER USE is the same as COMMERCIAL USE.

NO REGISTRATION (WARRANTY) CARD IS NECESSARY TO OBTAIN WARRANTY ON BRIGGS & STRATTON ENGINES. SAVE YOUR PURCHASE RECEIPT. PROOF OF PURCHASE DATE WILL BE REQUIRED TO OBTAIN WARRANTY.

BRIGGS & STRATTON ENGINES ARE MADE UNDER ONE OR MORE OF THE FOLLOWING PATENTS:										DESIGN
2,999,491	3,305,223	3,526,146	3,625,492	3,745,393	3,971,353	4,233,043	3,194,224	3,457,804	3,572,218	D-247,177
3,650,354	3,961,724	4,168,288	4,270,509	3,276,439	3,465,740	3,625,071	3,736,345	3,968,854	4,169,040	OTHER PATENTS PENDING

NO REGISTRATION (WARRANTY) CARD IS NECESSARY TO OBTAIN WARRANTY ON BRIGGS & STRATTON ENGINES. FILL IN THE REQUIRED INFORMATION AND RETAIN FOR YOUR RECORD:
(Engine Model, Type and Code Numbers are located on the Blower Housing, Cylinder Head Shield or Backplate).

Engine Model No. _____ Type No. _____ Code No. _____

Dealer Purchased From _____

Type of Equipment _____

Name or Trademark of Equipment Manufacturer _____

If warranty service is needed contact your nearest Authorized Service Center. For prompt attention your center will need to know the engine model, type and code number, the trouble experienced and the total number of hours the engine has run. If you differ with the decision of a Service Center on a warranty claim, ask the Service Center to submit all supporting facts to the Factory for review. If the Factory decides that your claim is justified, you will be fully reimbursed for those items accepted as defective.

ABOUT THE WARRANTY ON YOUR ENGINE

NOTE: See Back Cover for Statement of Limited Warranty.

If warranty service is needed, contact your nearest Authorized Briggs & Stratton Service Center. For prompt attention, your Center will need to know the engine model, type and code numbers, the trouble experienced and the total number of hours the engine was run.

BRIGGS & STRATTON WARRANTY covers only DEFECTIVE MATERIAL and/or WORKMANSHIP.

Briggs & Stratton Corporation welcomes the opportunity to make justified warranty repairs by any of its Authorized Service Centers. In most instances, the requests for warranty repair are handled in a quick and routine manner. However, some requests for warranty are received which appear not justified. In these cases, though engine owners may not be aware of it, the premature failure of their engine was caused by abuse or neglect, or the equipment on which it was mounted, rather than the engine.

If you differ with the decision of your Service Center, investigation will be made to determine the applicability of warranty. Ask the Service Center to submit all supporting facts to the Factory for review. If the Factory decides that your claim is justified, you will be fully reimbursed for those items accepted as defective. To avoid misunderstanding which might occur between engine owners and Authorized Briggs & Stratton Service Centers, we list below some of the causes of engine failure that Briggs & Stratton warranty does not cover for repair or replacement.

NORMAL WEAR: Engines, like all mechanical devices, need periodic parts service and replacement to perform well. Warranty will not cover repair when normal use has exhausted the life of a part or an engine.

IMPROPER MAINTENANCE: Remember that the service life of an engine depends upon the conditions under which it operates and the care it receives. Some applications, such as tillers, trash pumps and rotary mowers, are very often used in dusty or dirty conditions which can cause what appears to be premature wear. Such wear, when caused by dirt, dust, spark plug cleaning grit or other abrasive material that has entered the engine because of improper maintenance, is not covered by warranty.

WARRANTY DOES NOT APPLY FOR SOME ADJUSTMENTS OR IF ABUSE OR NEGLIGENCE CAUSES ENGINE DAMAGE: SUCH AS

1. Bent or broken crankshafts that could be caused by striking a solid object with the cutter blade of a rotary lawn mower;
2. Sticking valves or clogged carburetors, fuel pipes or other damage caused by using contaminated or stale fuel (Use clean, fresh, lead-free gasoline.);
3. Parts which are scored or broken because an engine was operated with insufficient lubricating oil, improper grade of lubricating oil, or contaminated lubricating oil in the case of a 4 cycle engine, or operated with incorrect BIA/NMMA certified oil/gas mixture in the case of a 2 cycle engine. (For a 4 cycle engine, check the oil level daily or after 8 hours and refill when necessary. Change oil at recommended intervals. For a 2 cycle engine, use the correct oil/gas mixture.);
4. Parts damaged by overspeeding or overheating caused by dirt, grass or debris plugging the cooling fins and clogging the flywheel area, or caused by operating the engine in a confined area without sufficient ventilation (Clean fins on the cylinder, cylinder head and flywheel at recommended intervals.);
5. Damage or wear to parts caused by dirt which entered the engine because of improper air cleaner maintenance or re-assembly (Clean and re-oil the foam pre-cleaner and clean or replace the paper cartridge at recommended intervals.);
6. Damage or wear to parts caused by grit which entered the engine from spark plugs cleaned on an abrasive blast cleaning machine;
7. Tune-up or adjustment needed by an engine but not caused by defective material nor workmanship (Follow the "Operating and Maintenance Instructions" when making any minor adjustments.);
8. Parts broken by excessive vibration caused by loose engine mounting, loose cutter blades, unbalanced blades or impellers, improperly attaching equipment to engine crankshaft, overspeeding or abuse in operation;
9. Repair or adjustment of associated parts or assemblies such as clutches, transmissions, remote controls, etc., which are not of Briggs & Stratton manufacture;
10. PARTS THAT ARE NOT ORIGINAL BRIGGS & STRATTON PARTS OR PARTS THAT ARE NOT APPROVED BY BRIGGS & STRATTON.

Warranty is available only through service centers which have been authorized by the Briggs & Stratton Corporation. Your nearest service center is listed in the Yellow Pages of your Telephone Directory, under "Engines, Gasoline" or "Gasoline Engines."

**LIMITED WARRANTY
FOOTE**

Spicer Off-Highway Axle Division
DANA CORPORATION
182 South Main Street Fredericktown, OH 43019

Foote will at its option, replace or repair without charge to the original purchaser for materials or labor, any part or parts manufactured by it and found upon examination to be DEFECTIVE IN MATERIAL AND OR WORKMANSHIP, if received for examination within TWO YEARS from date of original purchase.

To obtain warranty service first contact the dealer from whom you purchased the transmission. If you do not obtain a satisfactory response, then contact the distributor nearest to you. A list of distributors is on the reverse side of this Warranty..If not then satisfied, please write the factory at the address shown above.

All transportation charges on and damage or loss incurred in connection with the transportation of parts submitted for replacement or repair under this LIMITED WARRANTY shall be borne by purchaser.

The EXPRESSED WARRANTY contained herein shall not apply to any damage resulting from accident, abuse, or neglect. Nor will this LIMITED WARRANTY apply to damage resulting from failure to follow the manufacturer's instructions for operation and maintenance nor from improper selection of a particular application.

THIS LIMITED WARRANTY IS IN LIEU OF AND EXCLUDES ALL OTHER WARRANTIES, EXPRESSED OR IMPLIED INCLUDING MERCHANTABILITY AND FITNESS FOR PARTICULAR PURPOSE. Foote neither assumes nor authorizes any other person, natural or corporate to assume for it any obligation or liability in connection with or with respect to any parts covered hereunder..

FOOTE HEREBY DISCLAIMS ANY AND ALL IMPLIED WARRANTIES, INCLUDING BUT NOT LIMITED TO WARRANTIES OF MERCHANTABILITY AND FITNESS FOR ANY PARTICULAR PURPOSES TO THE EXTENT THAT SUCH IMPLIED WARRANTIES MAY BE EXCLUDED BY APPLICABLE LAW. WHERE APPLICABLE LAW PROHIBITS THE EXCLUSION OF IMPLIED WARRANTIES, EITHER THAT OF MERCHANTABILITY OR FITNESS FOR ANY PARTICULAR PURPOSE THEN THE IMPLIED WARRANTY SHALL BE LIMITED TO THE PERIOD OF THE EXPRESS WARRANTY. FOOTE SHALL IN NO EVENT BE LIABLE FOR ANY CONSEQUENTIAL, INCIDENTAL, OR SPECIAL DAMAGES OR EXPENSES; FOOTE LIABILITIES BEING LIMITED SOLELY AND EXCLUSIVELY TO REPLACEMENT OR REPAIR AS SET FORTH ABOVE.

Some states do not allow limitations on warranties so the above limitation may not apply to you. This Warranty gives you specific legal rights. and you may also have other rights which vary from state to state.

This warranty does not cover transmission units used for commercial purposes.

FOR INFORMATION REGARDING YOUR LOCAL FOOTE SERVICE CENTER, PLEASE CONTACT:

VELECLAIR
16 rue de Moronval
28109 Dreux Cedex
France
Phone: 011-33-37-42-32-85
Fax: 011-33-37-46-67-69