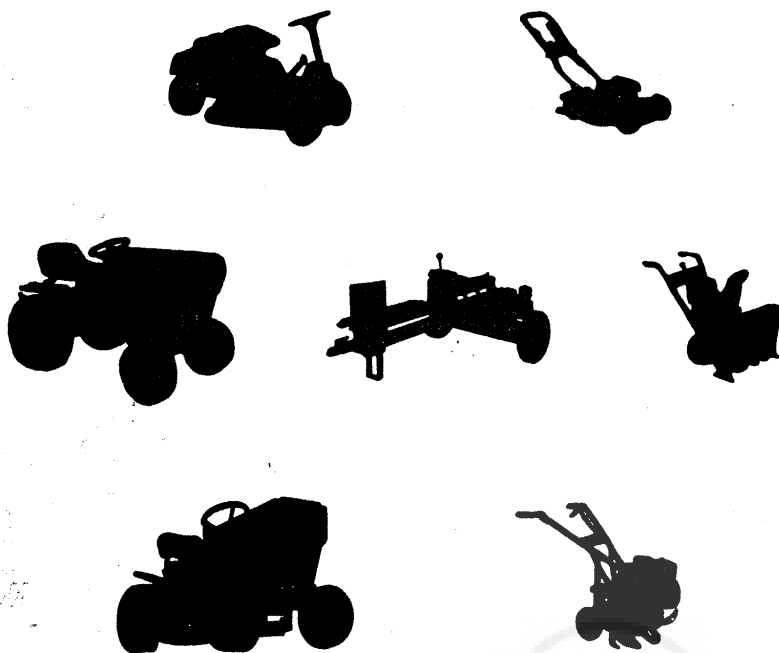


VDB 88

OWNER'S MANUAL

18H.P. GARDEN TRACTOR
MODELS NUMBER
GT180CR AND GT180CT



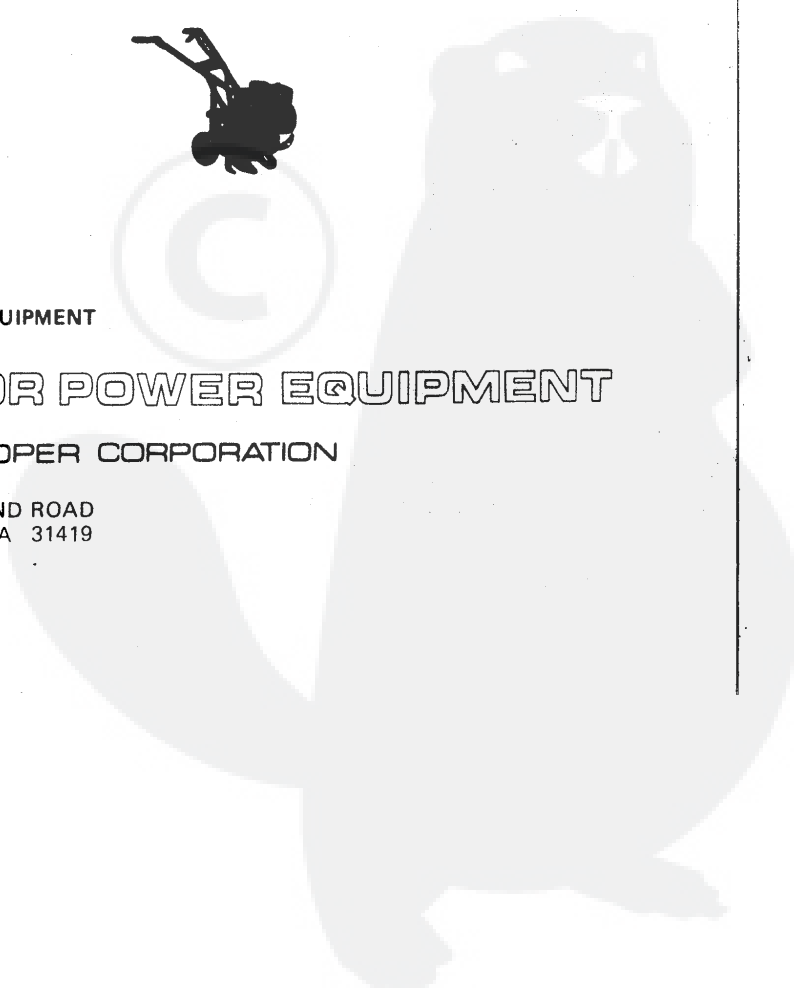
LAWN AND GARDEN
OUTDOOR POWER EQUIPMENT



OUTDOOR POWER EQUIPMENT

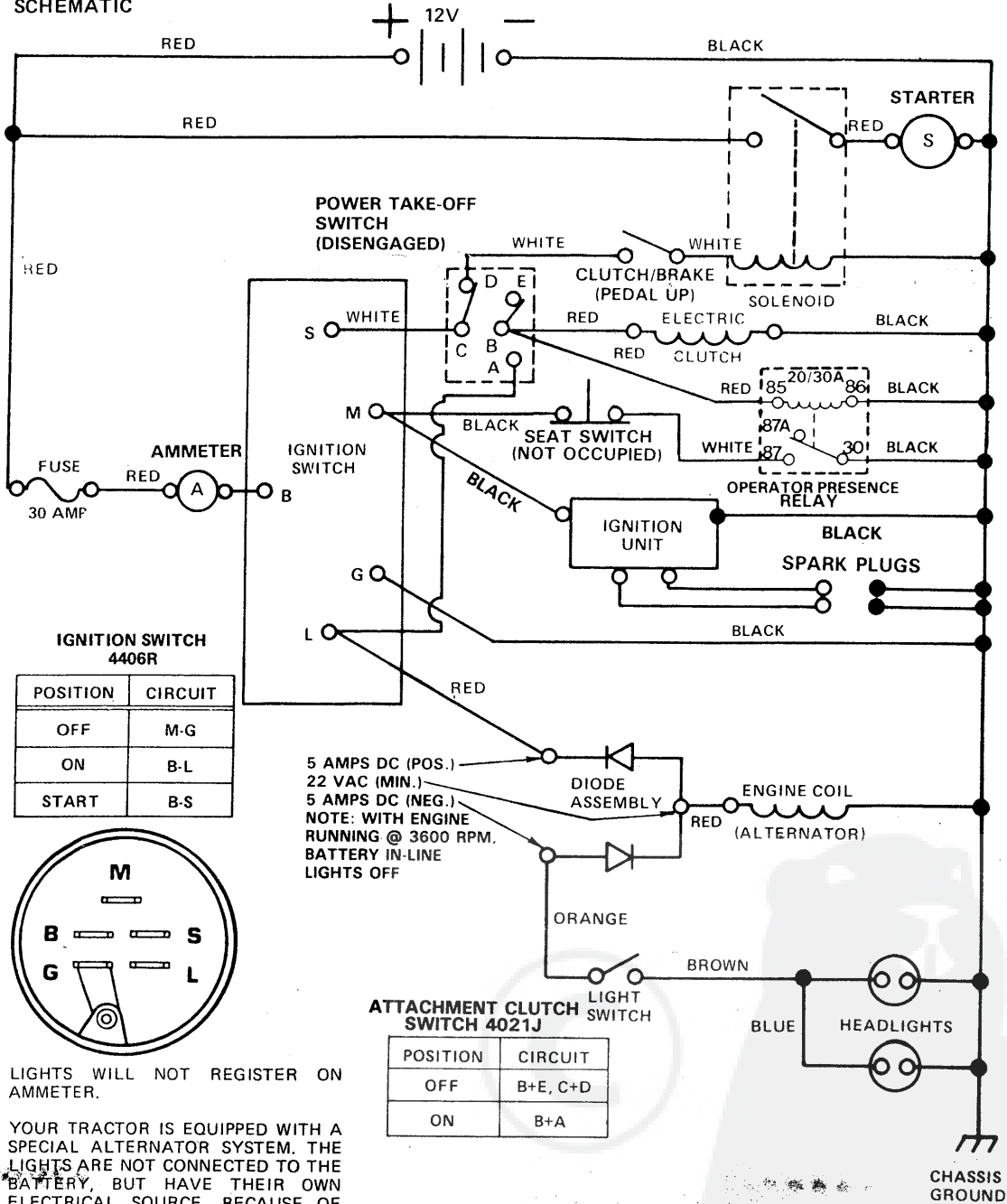
DIVISION OF ROPER CORPORATION

12052 MIDDLEGROUND ROAD
SAVANNAH, GEORGIA 31419



ROPER GT TRACTOR--MODEL NUMBERS GT180CR AND GT180CT

SCHEMATIC



LIGHTS WILL NOT REGISTER ON AMMETER.

YOUR TRACTOR IS EQUIPPED WITH A SPECIAL ALTERNATOR SYSTEM. THE LIGHTS ARE NOT CONNECTED TO THE BATTERY, BUT HAVE THEIR OWN ELECTRICAL SOURCE. BECAUSE OF THIS, THE BRIGHTNESS OF THE LIGHTS WILL CHANGE WITH THE ENGINE SPEED. AT IDLE SPEED THE LIGHTS WILL DIM. AS THE ENGINE IS SPEEDED UP, THE LIGHTS WILL BECOME THEIR BRIGHTEST.

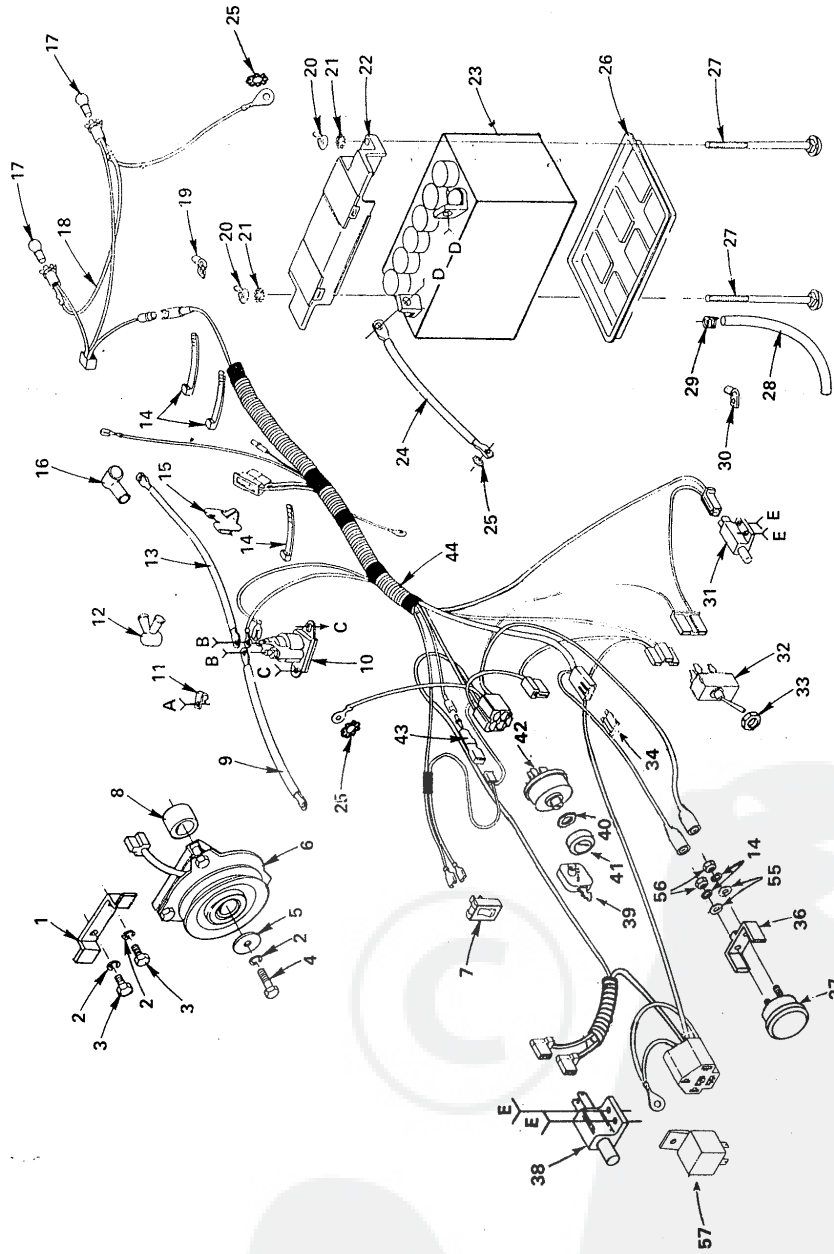
WIRING INSULATED CLIPS

NOTE: IF WIRING INSULATED CLIPS WERE REMOVED FOR SERVICING OF UNIT, THEY SHOULD BE REPLACED TO PROPERLY SECURE YOUR WIRING.

REPAIR PARTS

ROPER GT TRACTOR--MODEL NUMBERS GT180CR AND GT180CT

ELECTRICAL



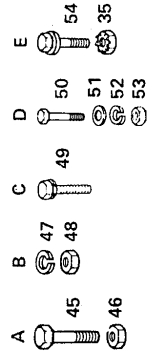
REPAIR PARTS

ROPER GT TRACTOR--MODEL NUMBERS GT180CR AND GT180CT

ELECTRICAL

KEY NO.	PART NO.	DESCRIPTION	KEY NO.	PART NO.	DESCRIPTION
1	108170X	Stop - Clutch	33	4022J	Nut - Hex
2	10040600	Washer - Lock, 3/8	34	6347R	Fuse - 30 Amp
3	74780612	Bolt - Hex 3/8 - 16 x 3/4	35	73951000	Nut - Keps No. 10 - 32
4	74610628	Bolt - Hex 3/8 - 24 x 1 - 3/4	36	6009J	Bracket - Ammeter
5	19132203	Washer 13/32	37	9433R	Ammeter
6	109550X	Clutch - Electric	38	109869X	Switch, Seat
7	106381X	Switch - Light	39	109434X	Key
8	106367X	Spacer - Clutch	40	109788X	Nut - Ignition
9	4206J	Cable - Battery	41	109787X	Bezel, Ignition
10	109081X	Solenoid	42	4406R	Switch - Ignition
11	4171R	Clip - Insulated	43	106315X	Diode Assembly
12	51J	Cover, Terminal	44	109441X	Harness - Ignition
13	5115J	Cable - Starter	45	74760512	* Bolt - Hex 5/16 - 18 x 3/4
14	10101000	Lockwasher	46	73680500	Nut - Crownlock 5/16 - 18
15	106035X	Clip - Harness	47	10090400	Lockwasher 1/4
16	719J	Cover - Terminal	48	73350400	Nut - Hex Jam 1/4 - 20
17	7662J	Bulb - Light	49	17190408	Screw - Hex Washer Hd. Cutting 1/4 - 20 x 1/2
18	7661J	Harness - Light Socket	50	74760412	* Bolt - Hex Hd. 1/4 - 20 x 3/4
19	106034X	Clip - Insulated	51	19091016	Washer 9/32 x 5/8 x 16 Ga.
20	73490400	Nut - Wing 1/4 - 20	52	10040400	* Lockwasher 1/4
21	11030400	Washer - Lock 1/4 Int./Ext. Tooth	53	73220400	* Nut - Hex 1/4 - 20
22	102476X	Guard - Terminal	54	71031008	Screw - Hex Washer Hd. No. 12 - 14 x 1/2 TYB
23	227J	Battery	55	19070818	Washer 7/32 x 1/2 x 18 Ga.
24	4207J	Cable - Ground	56	73911000	Nut
25	11050600	Washer - Lock, External Tooth 3/8	57	109748X	Assembly - Relay
26	7603J	Tray - Battery	...	101539X	Sheet - Instruction, Tractor 15° Slope
27	72240460	Bolt - Carriage 1/4 - 20 x 7 - 1/2	...	109619X	Owners Manual
28	100541K	Tube - Plastic			
29	109596X	Clamp - Hose			
30	100207K	Clip			
31	104445X	Switch - Interlock			
32	4021J	Switch - P. T. O.			

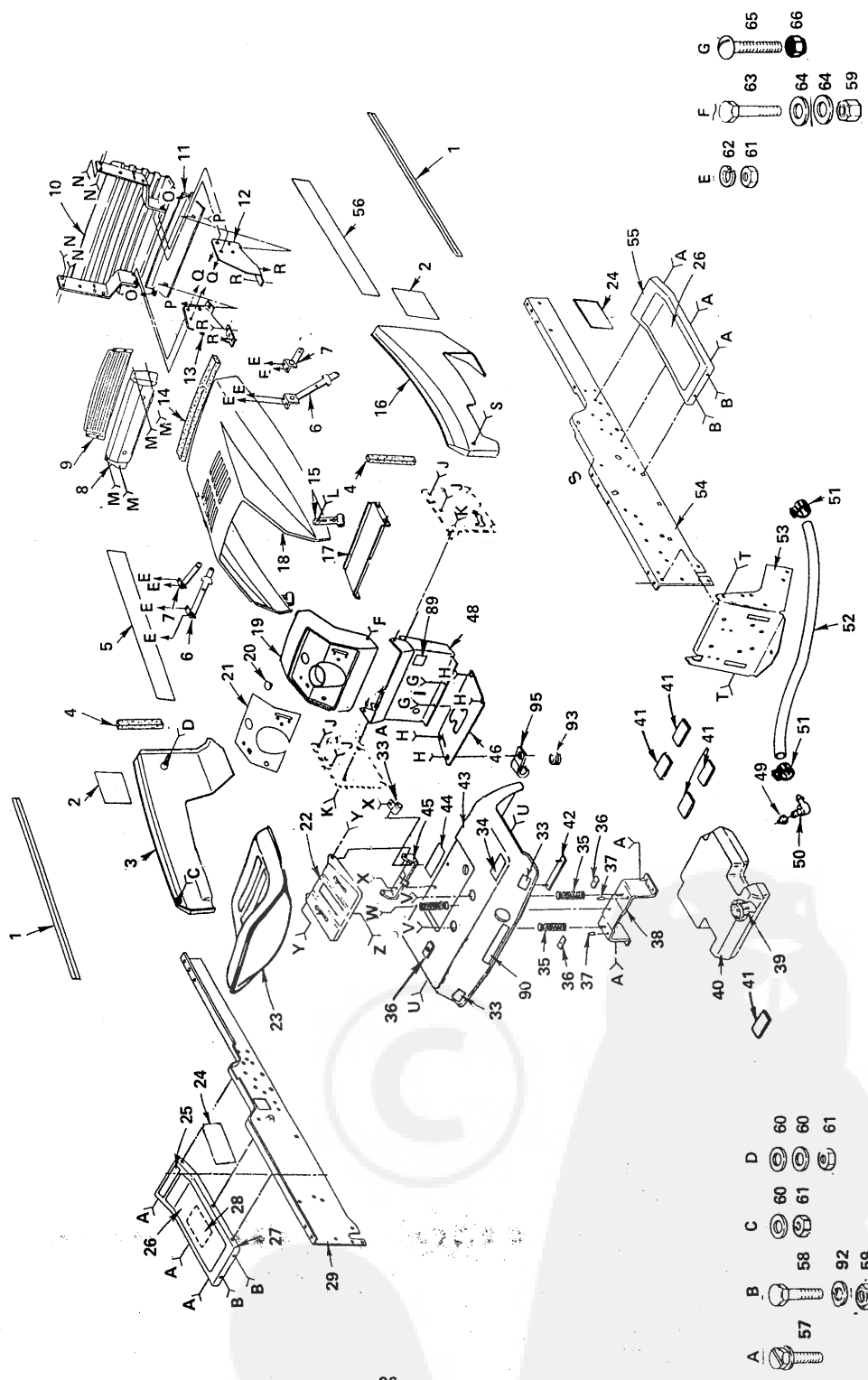
*STANDARD HARDWARE--PURCHASE LOCALLY



REPAIR PARTS

ROPER GT TRACTOR--MODEL NUMBERS GT180CR AND GT180CT

FRAME, FENDER AND DRAWBAR



- G 65
- F 63
- E 62
- 61
- 64
- 64
- 59
- 66

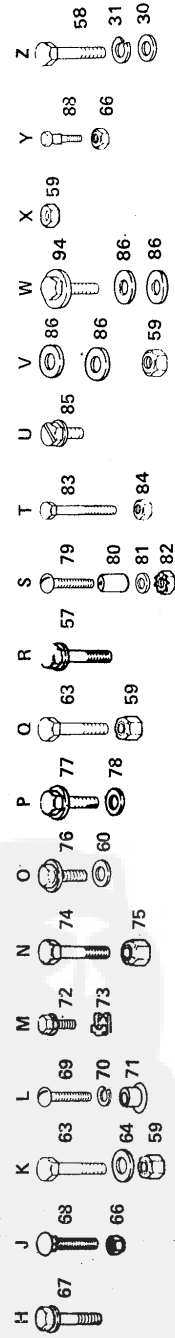
- A 57
- B 58
- C 60
- D 60
- 61
- 61
- 92
- 59
- 60
- 60
- 61

REPAIR PARTS

FRAME, FENDER AND DRAWBAR

ROPER GT TRACTOR--MODEL NUMBERS GT180CR AND GT180CT

KEY PART NO.	DESCRIPTION	KEY PART NO.	DESCRIPTION	KEY PART NO.	DESCRIPTION
1	104646X Decal-Strip,Hood	34	101893X Decal-Caution (GT180CT only)	69	74191008 Screw-Cr. Pan Mach. No. 10-24 x 1/2
2	104639X Decal-Side Panel,18 H.P.	35	105512X Spring-Compression	70	10071000 Washer, Lock No. 10
3	108372X367 Panel-Side,L.H.	36	105514X Clamp-Spring	71	2029J Nut-Weld
4	105036X Strip-Foam	37	105531X Nut-Push	72	17211010 Screw-Hex Washer Hd. Tap. No. 10-16 x 5/8 Type AB
5	104643X Decal-Hood,L.H.	38	105509X Bracket-Fender	73	104755X "J"-Fastener
6	106784X Strap Assembly-Hinge,Rear	39	109462X Cap-Fuel	74	7605J Bolt-Shoulder 1/4-20
7	104618X Strap Assembly-Hinge,Front	40	106020X Tank-Fuel	75	73680400 Nut-Crownlock 1/4-20
8	104613X Bezel Assembly	41	106082X Pad-Spacer	76	17490412 Screw-Hex Washer Thd. Roll. 1/4-20 x 3/4 Type TT
9	106395X Lens	42	105511X Strap-Fender	77	17490512 Screw-Hex Washer Hd. Thd. Roll. 5/16-18 x 3/4 Type TT
10	104628X Grill Assembly	43	109593X367 Fender	78	19111216 Washer 11/32 x 3/4 x 12 Ga.
11	104634X367 Strap-Grill	44	106974X Decal-Opel-Caution (GT180CR only)	79	74981020 Screw-Mach. Cr. Pan No. 10-24 x 1-1/4
12	105288X Support-Grill,R.H.	44	108658X Decal-Opel-Caution (GT180CT only)	80	7206J Spacer Split No. 10 x 3/4
13	105287X Support-Grill,L.H.	45	110378X Bracket-Pivot, Seat	81	19070818 Washer 7/32 x 1/2 x 18 Ga.
14	105037X Strip-Foam	46	106042X Cover, Shift-Gate	82	73731000 Nut-Keys No. 10-24
15	100225L Latch-Hood	48	104608X Dash Assembly	83	74760716 Bolt-Hex 7/16-14 x 1
16	108371X367 Panel-Side,R.H.	49	3645J Bushing	84	73680700 Nut-Lock 7/16-14
17	7985J Support-Battery	50	8710J Stem-Tank Fuel	85	17490608 Screw-Hex Washer Thd. Rolling 3/8 x 16 x 1/2
18	108370X367 Hood	51	6999R Clamp-Hose	86	19132012 Washer 13/32 x 1-1/4 x 16 Ga.
19	106796X Dashboard	52	5277J Fuel Line	87	19131416 Washer 13/32 x 7/8 x 16 Ga.
20	8022J Plug-Dash	53	7982J Drawbar	88	105529X Bolt-Shoulder
21	106797X Decal-Dashboard (GT180CR only)	54	105506X Rail-Frame-R.H.	89	8497J Decal (GT180CR only)
22	109866X Decal-Dashboard (GT180CT only)	55	105464X367 Footrest-R.H.	90	104810X Decal
23	110057X Pan-Seat	56	104644X Decal-Hood R.H.	91	109867X Spring-Compression
24	104640X Decal-Frame Garden Tractor	57	17490612 Decal-Hood R.H. Washer Thread Rolling 3/8-16 x 3/4	92	19131312 Washer 13/32 x 13/16 x 12 Ga.
25	4900J Decal-Clutch/Brake(GT180CR only)	58	74760612 Nut-Lock 3/8-16 x 3/4	93	109641X Grommet
26	101892X Decal-Clutch/Brake(GT180CT only)	59	73680600 Nut-Lock 3/8-16	94	17490616 Screw, Hex Washer Thd. Roll 3/8-16 x 1
27	109864X Pad-Footrest	60	19091216 Washer 9/32 x 3/4 x 16 Ga.	95	4171R Clip, Insulated
28	105465X367 Footrest-L.H.	61	73220400 *Nut-Hex 1/4-20	*STANDARD HARDWARE--PURCHASE LOCALLY	
29	106888X Decal-Drive Belt Schematic	62	10090400 *Washer-Lock 1/4		
30	19131312 Rail-Frame-L.H.	63	74760616 Bolt-Hex 3/8-16 x 13/16 x 16 Ga.		
31	10040600 Washer 13/32 x 13/16 x 12 Ga.	64	19131312 *Washer 13/32 x 13/16 x 16 Ga.		
32	74760816 *Bolt-Hex 1/2-13 x 1	65	74180512 Screw-Mach. Cr. Thd. 5/16-18 x 3/4		
33	106202X Reflector-Tailight	66	73680500 Nut-Crownlock 5/16-18		
33A	2751R Clip-Insulated	67	17240408 Screw-Hex Washer Thd. Cutting 1/4-20 x 1/2		
34	7178J Decal-Caution (GT180CR only)	68	72140506 Bolt-Round Hd. Square Neck Carriage 5/16-18 x 3/4		



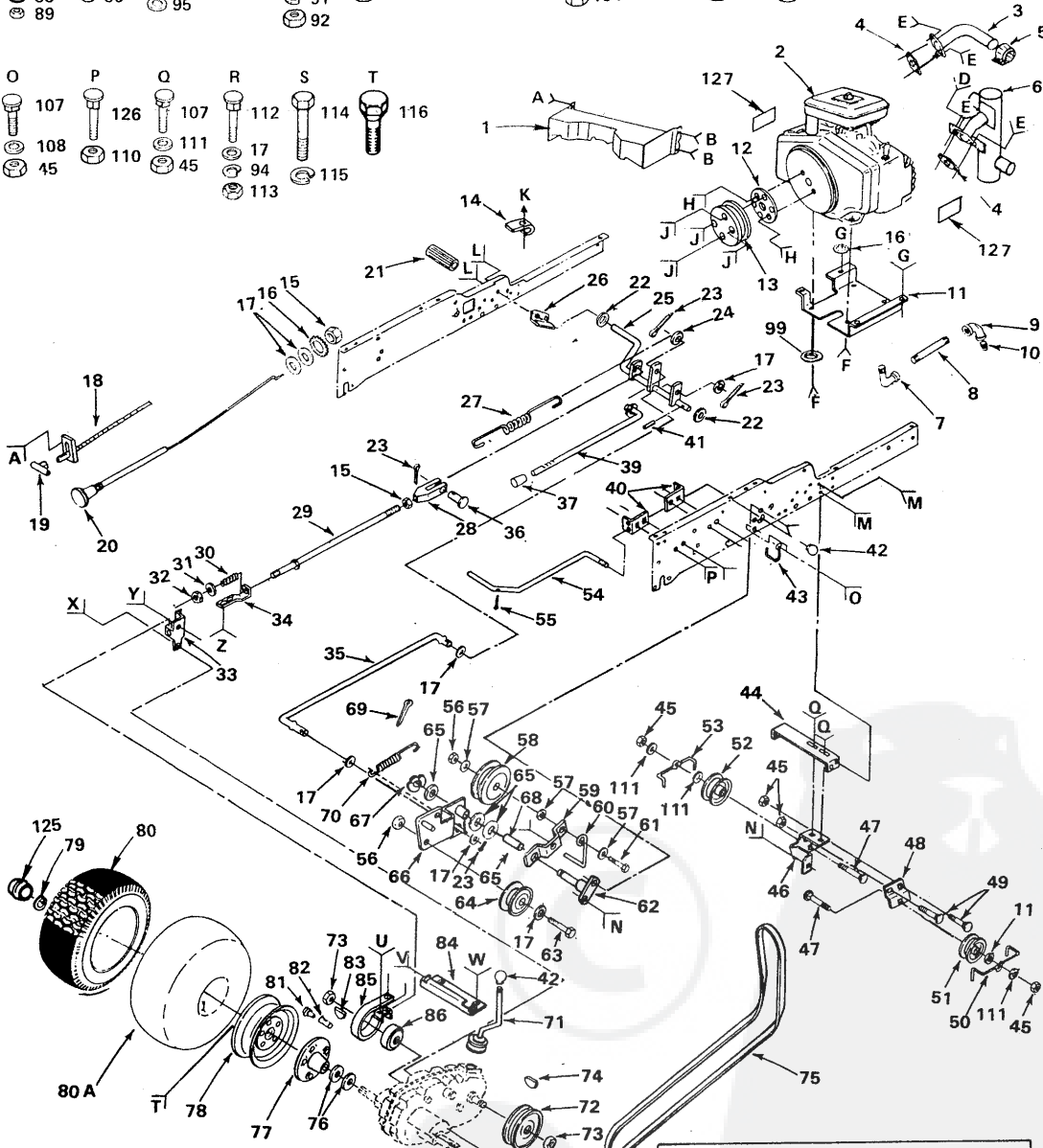
REPAIR PARTS

ROPER GT TRACTOR--MODEL NUMBERS GT180CR AND GT180CT

GROUND DRIVE

- | | | | | | | | | | | | |
|---|---|---|---|---|---|---|---|---|---|---|---|
| A | B | D | E | F | G | H | J | K | L | M | N |
| | | | | | | | | | | | |
| | | | | | | | | | | | |
| | | | | | | | | | | | |

- | | | | | | |
|---|---|---|---|---|---|
| O | P | Q | R | S | T |
| | | | | | |
| | | | | | |
| | | | | | |



- | | | | | | | |
|---|---|---|---|---|---|----|
| U | V | W | X | Y | Z | AA |
| | | | | | | |
| | | | | | | |
| | | | | | | |

OPTIONAL EQUIPMENT
Spark Arrester Muffler 106664X

REPAIR PARTS

ROPER GT TRACTOR--MODEL NUMBERS GT180CR AND GT180CT

GROUND DRIVE

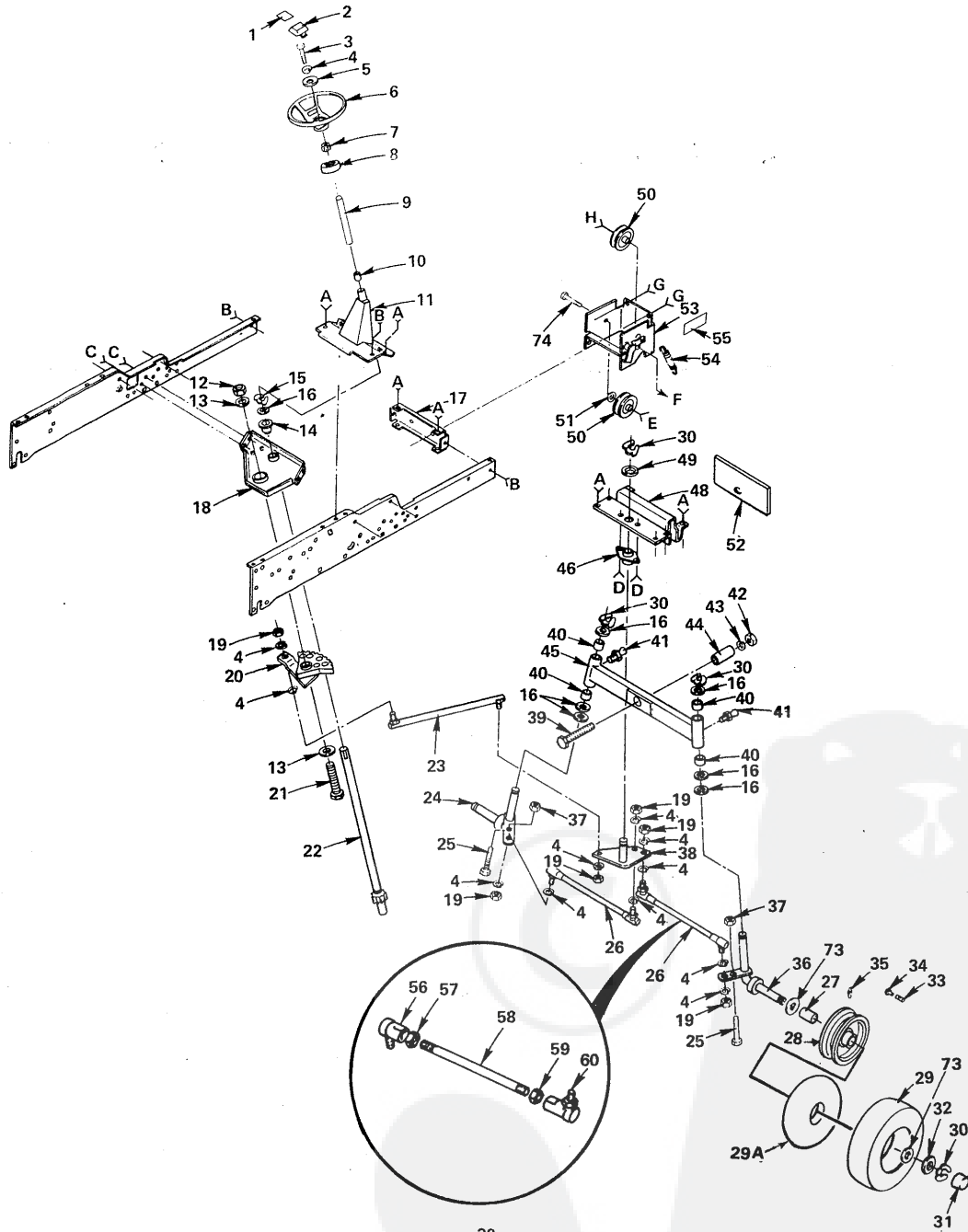
KEY NO.	PART NO.	DESCRIPTION	KEY NO.	PART NO.	DESCRIPTION
1	104993X	Baffle Assembly - Engine	65	207J	Washer, Hardened
2	120384X	Engine - 18 H.P. Model No. 422437, Type No. 0758-01	66	105592X	Bracket, Clutch w/Bearing (Incl. Key No. 68)
3	100229L	Tube Assembly - Exhaust	67	12000039	Klip Ring
4	8545J	Gasket - Muffler	68	101350K	Bearing, Idler
5	100000K	Clamp - Tube	69	76020816	Pin, Cotter, 1/4 x 1
6	100228N	Muffler - Exhaust	70	101355X	Spring, Extension
7	13240200	Elbow - Street 1/4	71	633A109	Lever Assembly - Gear Shift
8	13280220	Nipple - 1/4	72	120332X	Pulley, Transaxle
9	13200200	Elbow - 90° 1/4	73	9204H	Nut, Lock, 1/2 - 20
10	13020200	Plug - 1/4	74	9858M1	Key - Woodruff 3/16 x 5/8
11	5266J	Base - Engine	75	120403X	V-Belt
12	104577X	Adapter	76	7563R	Washer, Thrust, Axle
13	120331X	Pulley - Ground Drive	77	634A692	Bushing Assembly and Wheel Hub
14	5304J	Actuator - Switch, Interlock	78	106277X	Rim Assy., Rear
15	73610600	*Nut - Hex, 3/8 - 24	79	12000034	Klip Ring
16	11050600	Washer, Lock Ext. Tooth, 3/8	80	4607R	Tire, Rear
17	19131316	*Washer, 13/32 x 13/16 x 16 Ga.	80A	7154J	Tube, Rear (Not furnished with tractor)
18	5693J	Control, Throttle	81	59192	Cap, Valve
19	61159	Knob, Throttle Control	82	65139	Stem, Valve
20	104596X	Control, Choke	83	2228M	Key, Woodruff No. 9 3/16 x 3/4
21	8883R	Cover, Pedal	84	120404X	Bracket, Support, Transaxle
22	19252016	Washer, 25/32 x 1 - 1/4 x 16 Ga.	85	7920J	Band, Brake
23	76020312	Pin, Cotter, 3/32 x 3/4	86	214J	Drum, Brake
24	19111216	Washer, 11/32 x 3/4 x 16 Ga.	87	74780412	*Bolt, Hex, 1/4 - 20 x 3/4
25	104375X	Shaft, Foot Pedal	88	19091016	*Washer, 9/32 x 5/8 x 16 Ga.
26	104601X	Bracket, Interlock	89	73680400	Nut, Crownlock 1/4 - 20
27	106021X	Spring, Extension	90	72010510	*Bolt, Carriage Rd, Hd, Short Sq, Neck 5/16 - 18 x 1 - 1/4
28	100604K	Yoke	91	10040500	*Lockwasher 5/16
29	5308J	Rod, Brake	92	73220500	*Nut, Hex 5/16 - 18
30	7241J	Spring, Compression	93	74780612	Bolt, Hex, 3/8 - 16 x 3/4
31	19131614	Washer, 13/32 x 1 x 14 Ga.	94	10040600	*Lockwasher - 3/8
32	73530600	Nut - Lock, 3/8 - 24	95	19131210	Washer 13/32 x 3/4 x 10 Ga.
33	677A637	Bracket, Brake	96	74570412	Screw, Hex Socket Hd, 1/4 - 20 x 3/4
34	7229J	Guide, Rod, Brake	97	10040400	*Lockwasher 1/4
35	101356L	Rod, Clutch	98	74780520	*Bolt - Hex 5/16 - 18 x 1 - 1/4 Gr. 5
36	5102J	Pin, Clevis	99	11050500	Washer - Lock Ext. Tooth 5/16
37	71673	Cap, Plunger	100	74760612	*Bolt - Hex 3/8 - 16 x 3/4
39	109767X	Rod, Parking Brake	101	74780616	*Bolt, Hex Head 3/8 - 16 x 1 Gr. 5
40	105598X	Bracket, Rod, Shift	102	17190512	Screw, Hex 5/16 - 18 x 3/4
41	5142H	Pin, Roll, 3/16 x 1 - 1/4	103	74321016	Screw - Fin 10 - 24 x 1
42	100196K	Knob	104	73631000	*Nut - Lock No. 10 - 24
43	105500X	Retainer, Belt, Lower	105	74760412	Bolt - Hex Head 1/4 - 20 x 3/4
44	105599X	Bracket, Mule, Drive	107	72110608	Bolt, Carriage 3/8 - 16 x 1 Gr. 5
45	73680600	Nut, Lock, 3/8 - 16	108	19131312	Washer, 13/32 x 13/16 x 12 Ga.
46	106000X	Bracket, V-Pulley, Drive, Mule	109	72110506	*Bolt, Carriage 5/16 - 18 x 3/4
47	72110616	*Bolt, Carriage, 3/8 - 16 x 2	110	73680500	Nut, Lock 5/16 - 18
48	5255J	Bracket, Idler, Flat	111	19131612	Washer, 13/32 x 1 x 12 Ga.
49	72140606	*Bolt, Carriage, 3/8 - 16 x 3/4	112	72140608	*Bolt, Carriage 3/8 - 16 x 1
50	106048X	Guard, Belt, Mule Drive, V-Idler	113	73220600	*Nut, Hex 3/8 - 16
51	102403X	Idler, Flat	114	74760724	Bolt, Hex 7/16 - 14 x 1 - 1/2
52	101344L	Pulley, Idler	115	10040700	Lockwasher, 7/16
53	106023X	Guard, Belt, Mule Drive, V-Idler	116	1304H	Bolt, Hub
54	101345M	Rod - Shift, Hi - Lo	117	72140405	Bolt, Carriage, 1/4 - 20 x 5/8
55	76020616	*Pin, Cotter, 3/16 x 1	118	73220400	*Nut - Hex 1/4 - 20
56	73930600	Nut, Lock, 3/8 - 16	119	74760716	Bolt - Hex 7/16 - 14 x 1
57	19131413	Washer, 13/32 x 7/8 x 13 Ga.	120	73680700	Nut - Crownlock 7/16 - 14
58	104360X	Idler, Flat	121	74370612	Screw, Mach. Udrct. Flat Head, 3/8 - 16 x 3/4
59	101347L	Bracket, Flat, Idler	122	1685H	Nut, Lock 5/16 - 18
60	105597X	Retainer, Belt	123	17720408	Screw, Hex Thd. Cut, 1/4 - 20 x 1/2
61	74760632	*Bolt, Hex, 3/8 - 16 x 2	124	74760614	Bolt, Hex 3/8 - 16 x 7/8
62	101358K	Bracket Assembly - Clutch	125	104758X	Cap - Hub, Rear
63	74760624	*Bolt, Hex 3/8 - 16 x 1-1/2	126	72140506	Bolt - Carriage 5/16 - 18 x 3/4
64	8846R	Idler, Grooved	127	110041X	Decal - Engine

*STANDARD HARDWARE--PURCHASE LOCALLY

REPAIR PARTS

ROPER GT TRACTOR--MODEL NUMBERS GT180CR AND GT180CT

STEERING



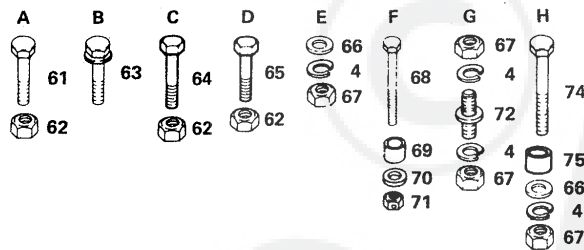
REPAIR PARTS

ROPER GT TRACTOR--MODEL NUMBERS GT18OCR AND GT18OCT

STEERING

KEY NO.	PART NO.	DESCRIPTION	KEY NO.	PART NO.	DESCRIPTION
1	104590X	Decal - Steering Wheel	37	73510600	Nut - Keps 3/8 - 16
2	100710L	Insert - Steering Wheel	38	108137X	Bellcrank Assembly
3	74780616	Bolt - Hex 3/8 - 16 x 1 Gr. 5	39	74781044	Bolt - Hex 5/8 - 11 x 2 - 3/4 Gr. 5
4	10040600	*Washer - Lock 3/8	40	1309H	Bearing
5	19133808	Washer 13/32 x 2-3/8 x 8 Ga.	41	6855M	Fitting, Grease
6	100713N	Wheel, Steering	42	73221000	*Nut, Hex 5/8 - 11
7	100711L	Adapter, Steering	43	10041000	*Washer, Lock 5/8
8	106943X	Spacer - Shaft Steering	44	5298J	Tube, Pivot, Axle
9	108540X	Tube, Shaft	45	674A243	Axle Assembly, Front
10	9038R	Bearing	46	5292J	Bushing, Bellcrank
11	101274N	Support Assembly, Steering	48	5284J	Bracket, Axle
12	73680800	Nut, Lock 1/2 - 13	49	19292016	Washer 29/32 x 1 - 1/4 x 16 Ga.
13	19172610	Washer 17/32 x 1 - 5/8 x 10 Ga.	50	677A451	Pulley, Idler
14	104239X	Bearing, Flanged	51	19132007	Washer 13/32 x 1 - 1/4 x 7 Ga.
15	12000034	Klip Ring	52	104989X	Frame, Baffle
16	6266H	Bearing, Thrust	53	108253X	Bracket, Idler
17	5213J	Bracket, Frame Front	54	7190J	Spring
18	102439X	Bracket, Support, Steering	55	108367X	Decal, Adjustment
19	73610600	*Nut, Hex 3/8 - 24	56	8922R	Joint - Tie Rod - L.H. Thread
20	108134X	Sector Assembly	57	73700600	Nut - Hex Jam 3/8 - 24 L.H.
21	74760832	Bolt - Hex 1/2 - 13 x 2	58	7919J	Rod - Tie
22	104591X	Shaft, Steering	59	73360600	Nut - Hex Jam 3/8 - 24
23	108136X	Link, Drag	60	8921R	Joint - Tie Rod - R.H. Thread
24	106046X	Spindle, L.H.	61	74760612	Bolt - Hex 3/8 - 16 x 3/4
25	74520632	Bolt, Hex 3/8 - 16 x 2	62	73680600	Nut - Lock 3/8 - 16
26	7990J	Rod, Tie	63	17490612	Screw - Hex Washer Thd. Rolling 3/8 - 16 x 3/4
27	9040H	Bearing	64	74780616	Bolt - Hex 3/8 - 16 x 1 Gr. 5
28	106228X	Rim Assembly - 8" Front	65	74760616	*Bolt - Hex 3/8 - 16 x 1
29	3938R	Tire	66	19131413	Washer 13/32 x 7/8 x 13 Ga.
29A	8134H	Tube (not furnished with tractor)	67	73220600	*Nut - Hex 3/8 - 16
30	12000029	Klip Ring	68	74930516	Bolt - Hex 5/16 - 18 x 1
31	104757X	Cap, Hub, Front	69	100644K	Bushing - Handle, Clutch
32	19252016	Washer, 25/32 x 1-1/4 x 16 Ga.	70	19111416	Washer 11/32 x 7/8 x 16 Ga.
33	59192	Cap, Valve	71	73680500	Nut, Lock 5/16 - 18
34	65139	Stem, Valve	72	106615X	Pin - Mounting, Idler Bracket
35	278H	Fitting, Grease	73	19252616	Washer 25/32 x 1-5/8 x 16 Ga.
36	106045X	Spindle, R.H.	74	74760632	Bolt, Hex 3/8 - 16 x 2
			75	102933X	Spacer

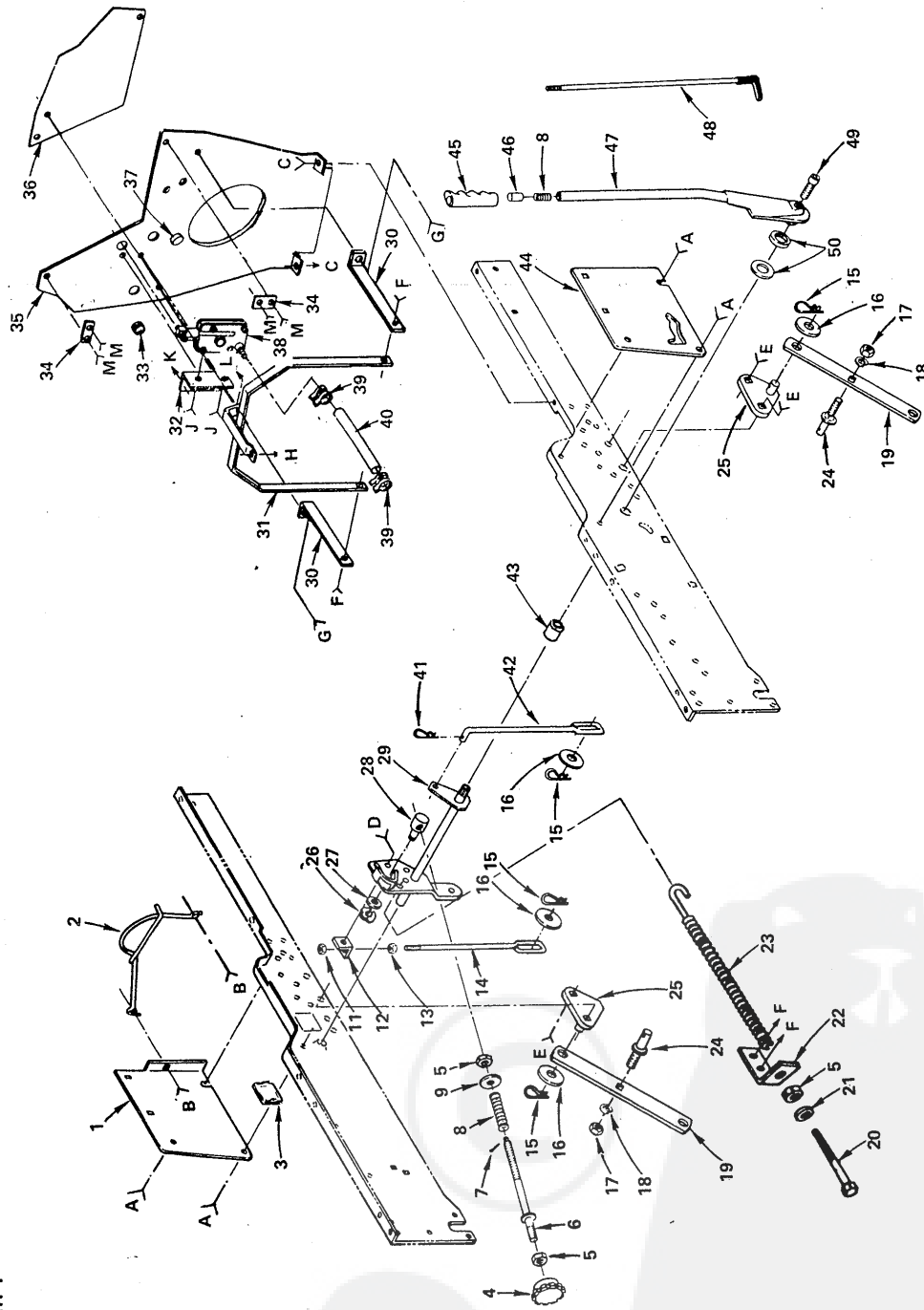
*STANDARD HARDWARE--PURCHASE LOCALLY



REPAIR PARTS

ROPER GT TRACTOR--MODEL NUMBERS GT180CR AND GT180CT

MOWER LIFT



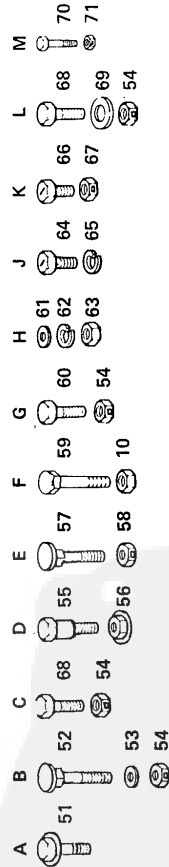
REPAIR PARTS

MOWER LIFT

ROPER GT TRACTOR--MODEL NUMBERS GT180CR AND GT180CT

KEY NO.	PART NO.	DESCRIPTION	KEY NO.	PART NO.	DESCRIPTION	KEY NO.	PART NO.	DESCRIPTION
1	106793X	Panel, Side, L.H.	28	6519J	Trunnion, Stop Depth	54	73680500	Nut, Lock, 5/16 - 18
2	105589X	Guard Assembly - Belt, Engine	29	105633X	Shaft, Lift	55	7901J	Bolt, Shoulder
3	105505X	Cover, Access	30	104649X	Bracket - Shield, Heat, Side	56	73900400	Nut, Hex Flange 1/4 - 20
4	100734K	Handle, Adjust, Lift	31	106872X	Support Assembly - Dash	57	72140606	* Bolt, Carriage, 3/8 - 16 x 3/4
5	73350600	* Nut, Hex Jam, 3/8 - 16	32	105040X	Bracket - Pump, Fuel	58	73930600	* Nut - Centerlock 3/8 - 16
6	106318X	Rod, Adjust, Lift	33	9151R	Grommet	59	74760616	* Bolt - Hex 3/8 - 16 x 1
7	76020308	* Pin, Cotter	34	105105X	Strap - Tie	60	74350512	Bolt - Hex 5/16 - 18 x 3/4
8	2876H	Spring	35	106791X	Base - Shield, Heat	61	19091216	Washer, 9/32 x 3/4 x 16 Ga.
9	19131016	Washer 13/32 x 5/8 x 16 Ga.	36	108125X	Panel - Shield, Heat	62	10090400	Washer, Lock 1/4
10	73680600	Nut, Lock, 3/8 - 16	37	106351X	Plug - Shield, Heat	63	73220400	* Nut, Hex 1/4 - 20
11	73800600	Nut, Lock, Hex w/ Washer, 3/8 - 16	38	105041X	Pump - Fuel	64	74750806	Screw - Slotted Hex Hd, No. 8-32 x 3/8 Gr. 5
12	7594J	Bracket, Lift, L.H.	39	6999R	Clamp - Hose	65	10070800	Washer, Lock No. 8
13	73220600	* Nut, Hex 3/8 - 16	40	3008J	Fuel Line	66	74321008	* Screw-Machine Hex Hd. No. 10-24 x 1/2 Gr. 2
14	7596J	Link, Lift, L.H.	41	4939M	Retainer, Spring	67	73631000	* Nut - Lock No. 10 - 24
15	9135R	Retainer Spring	42	105503X	Link, Lift, R.H.	68	74760512	* Bolt - Hex 5/16 - 18 x 3/4
16	19171713	* Washer 17/32 x 1 - 1/16 x 13 Ga.	43	106012X	Spacer - Split	69	19111216	Washer, 11/32 x 3/4 x 16 Ga.
17	73220800	* Nut, Hex, 1/2 - 13	44	106792X	Panel, Side, R.H.	70	74780408	* Bolt - Hex 1/4 - 20 x 1/2 Gr. 5
18	10040800	* Washer, Lock, 1/2	45	109413X	Grip, Handle	71	73680400	Nut, Lock 1/4 - 20
19	106429X	Arm, Suspension	46	105723X	Plunger - Lever, Lift			
20	5328J	Bolt - Adjust, Spring, Assist	47	109987X	Lever Assembly - Lift			
21	19131316	* Washer 13/32 x 13/16 x 16 Ga.	48	110026X	Rod Assembly - Lever			
22	5329J	Bracket, Spring - Assist	49	74570632	Screw, Cap, Hex Socket Head, 3/8 - 16 x 2			
23	674A247	Spring Assembly - Assist, Lift	50	105630X	Washer, Nylon			
24	105413X	Stud, Pivot Center	51	17490608	Screw, Hex Washer Thd, 3/8 - 16 x 1/2			
25	105501X	Bracket, Suspension	52	72140508	* Bolt - Carriage, 5/16 - 18 x 1			
26	12000037	Klip Ring	53	19111610	Washer 11/32 x 1 x 10 Ga.			
27	19151216	Washer 15/32 x 3/4 x 16 Ga.						

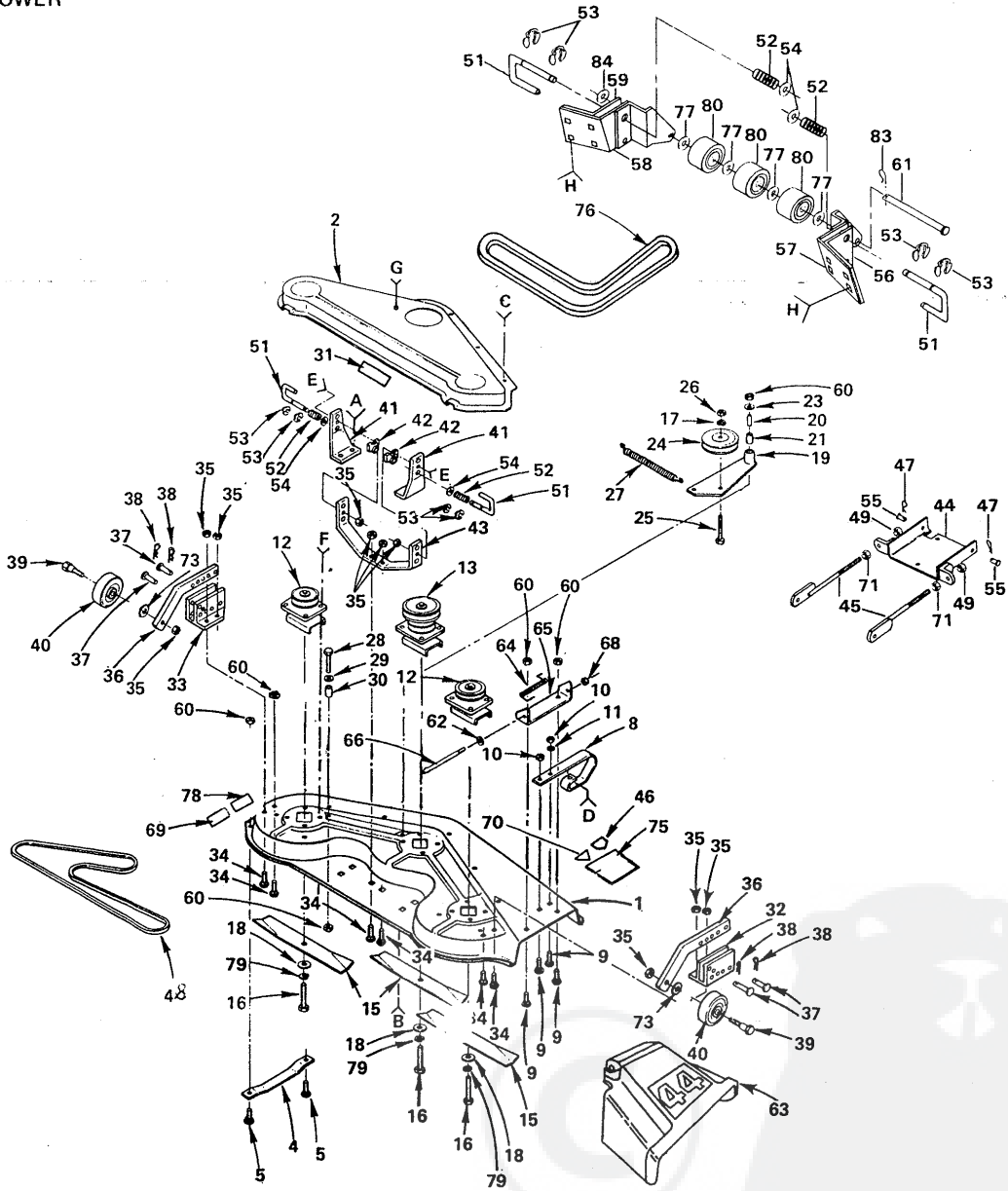
*STANDARD HARDWARE--PURCHASE LOCALLY



REPAIR PARTS

ROPER GT TRACTOR--MODEL NUMBERS GT180CR AND GT180CT

MOWER



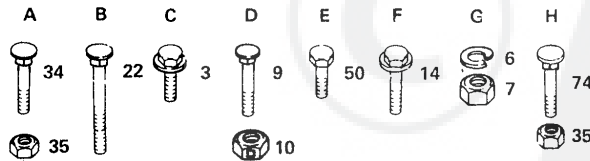
REPAIR PARTS

ROPER GT TRACTOR--MODEL NUMBERS GT180CR AND GT180CT

MOWER

KEY NO.	PART NO.	DESCRIPTION	KEY NO.	PART NO.	DESCRIPTION
1	105415X	Housing, Mower	42	110237X	Spacer
2	106022X	Cover - Drive, Deck	43	105434X	Brace, Suspension
3	17490508	Screw - Hex Washer Thd. Roll 5/16 - 18 x 1/2	44	109778X	Plate Assy., Mower Suspension
4	7631J	Runner, L.H.	45	109771X	Brkt., Suspension
5	72110505	Bolt, Carr. 5/16 - 18 x 5/8	46	78850	Decal - Warning (GT180CR only)
6	10040500	*Washer - Lock, 5/16	46	107339X	Decal - Warning (GT180CT only)
7	73220500	*Nut - Hex 5/16 - 18	47	3146R	Retainer - Spring
8	8418J	Runner, R.H.	48	106381X	V-Belt
9	72140506	Bolt, Carr. 5/16 - 18 x 3/4	49	73680800	*Nut, Crownlock 1/2 - 13
10	1685H	Nut, Lock 5/16 - 18	50	74760622	Bolt, Hex 3/8 - 16 x 1 - 3/8
11	19111116	*Washer 11/32 x 11/16 x 16 Ga.	51	105435X	Pin, Release
12	105483X	Mandrel - Secondary	52	3720R	Spring
13	106038X	Mandrel - Primary	53	12000039	Ring, Klip
14	17490612	Screw - Hex Washer Thd. Roll 3/8 - 16 x 3/4	54	19171612	Washer 17/32 x 1 x 12 Ga.
15	106635X	Blade	55	105440X	Pin, Clevis
16	74610624	*Bolt - Hex, 3/8 - 24 x 1 - 1/2 Gr. 5	56	105456X	Brkt., Outer, R.H.
17	10040600	*Washer - Lock, 3/8	57	109773X	Brkt., Inner, R.H.
18	19132012	Washer 13/32 x 1 - 1/4 x 12 Ga.	58	109775X	Brkt., Inner, L.H.
19	674A213	Arm Assembly, Idler	59	105457X	Brkt., Outer, L.H.
20	7834J	Liner - Bearing	60	73680500	Locknut 5/16 - 18
21	7835J	Bearing	61	109776X	Pin, Pivot
22	72110522	Bolt, Carriage 5/16 - 18 x 2 - 3/4	62	19111016	Washer 11/32 x 5/8 x 16 Ga.
23	19111610	Washer 11/32 x 1 x 10 Ga.	63	109785X	Shield, Deflector
24	102403X	Pulley, Idler	64	106734X	Spring, Deflector
25	74760624	*Bolt - Hex 3/8 - 16 x 1 - 1/2	65	109743X	Bracket, Deflector
26	73220600	*Nut - Hex 3/8 - 16	66	106735X	Rod, Hinge
27	104361X	Spring	68	5846R	Push Nut
28	74780520	*Bolt - Hex 5/16 - 18 x 1 - 1/4 Gr. 5	69	3713J	Decal - Instruction, Caution
29	19111216	Washer 11/32 x 3/4 x 16 Ga.	70	106975X	Decal - Safety Standard
30	8438J	Spacer Split	71	73220800	Nut - Hex 1/2 - 13
31	106224X	Decal - V-Belt, Dr. Schematic, Mower	73	19171512	Washer 17/32 x 15/16 x 12 Ga.
32	105448X	Bracket, Ga. Wheel, R.H.	74	72240608	Bolt, Carriage 3/8 - 16 x 1
33	105449X	Bracket, Ga. Wheel, L.H.	75	109819X	Decal - Warning
34	72240606	*Bolt, Carriage 3/8 - 16 x 3/4	76	106863X	V-Belt
35	73680600	Nut, Crownlock 3/8 - 16	77	19151610	Washer 15/32 x 1 x 10 Ga.
36	105453X	Bar, Ga. Wheel	78	105185X	Decal - Instruction - Decal (GT180CT only)
37	5565J	Pin, Clevis	79	10030600	*Washer - Lock 3/8
38	4939M	Retainer, Spring	80	109729X	Roller, Nose
39	4898H	Bolt, Shoulder	82	19151616	Washer 15/32 x 1 x 16 Ga.
40	105455X	Wheel, Gauge	83	4921H	Spring - Retainer
41	105433X	Brkt., Suspension	84	19151616	Washer 15/30 x 1 x 16 Ga.

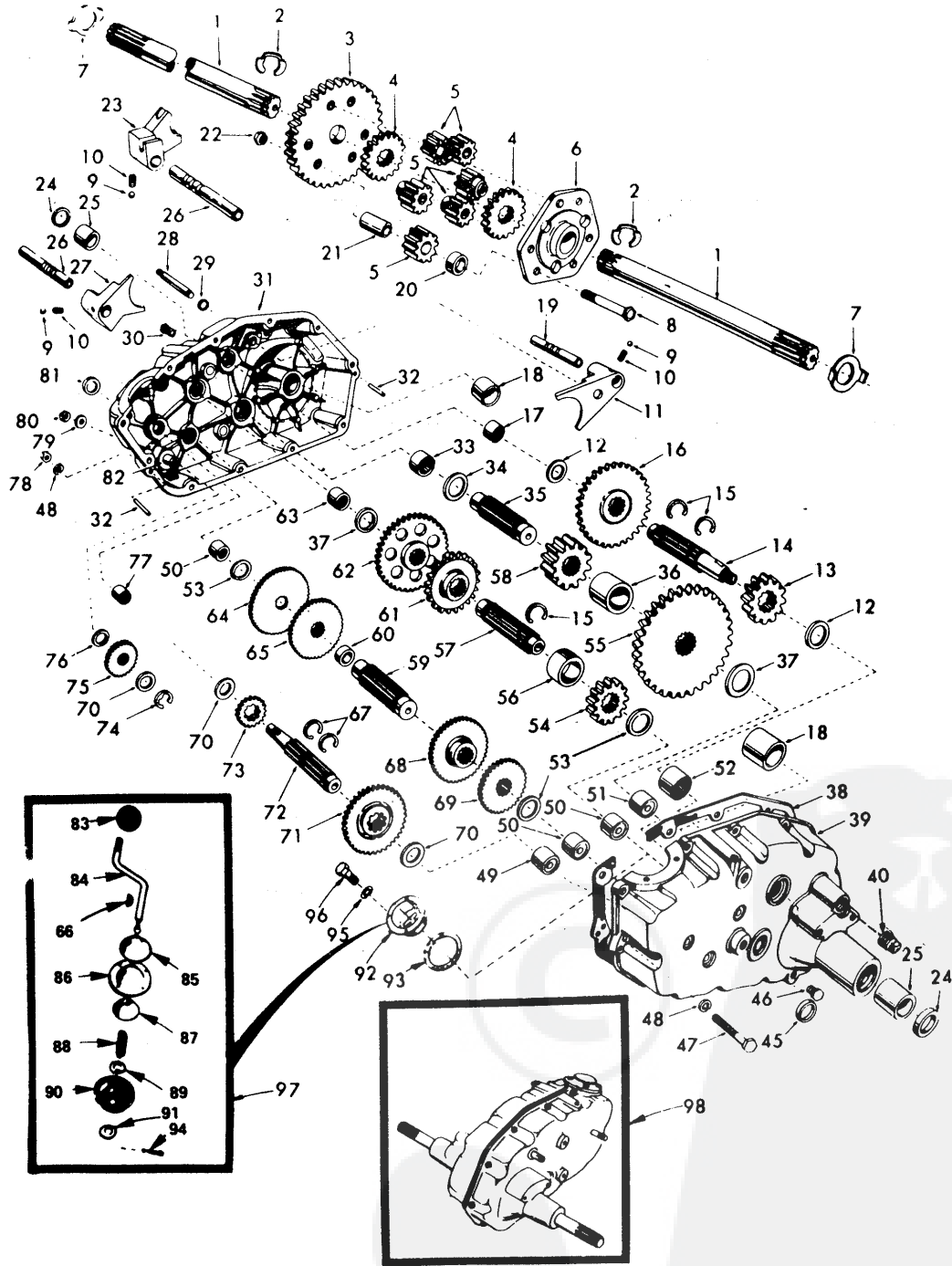
*STANDARD HARDWARE--PURCHASE LOCALLY



REPAIR PARTS

ROPER GT TRACTOR--MODEL NUMBERS GT180CR AND GT180CT

TRANSAXLE



REPAIR PARTS

ROPER GT TRACTOR--MODEL NUMBERS GT180CR AND GT180CT

TRANSAXLE

KEY NO.	PART NO.	DESCRIPTION	KEY NO.	PART NO.	DESCRIPTION
1	4197R	Axle Shaft	49	4895H	Needle Bearing
2	5845R	Retaining Ring	50	4222R	Needle Bearing
3	4199R	Final Drive Gear	51	1529R	Needle Bearing
4	4216R	Differential Gear	52	8119M	Needle Bearing
5	4215R	Differential Pinion	53	4220R	Thrust Bearing Race
6	4217R	Differential Carrier	54	4209R	3rd Reduction Pinion - Low
7	6256H	Axle Thrust Washer	55	4213R	4th Reduction Gear
8	74020652	Hex Bolt 3/8 - 24 x 3 - 1/4 (1" Thread Length)	56	4442R	3rd Reduction Pinion Spacer
9	7392M	Steel Ball	57	4195R	2nd Reduction Gear Shaft
10	6272H	Spring Shift Fork Detent	58	4214R	Final Drive Pinion
11	4985R	Shift Fork, High - Low Range	59	4194R	1st Reduction Gear Shaft
12	6266H	Thrust Bearing Race	60	7528R	1st Reduction Shaft Spacer
13	4212R	4th Reduction Pinion	61	4208R	3rd Reduction Pinion - High
14	4196R	3rd Reduction Gear Shaft	62	4207R	2nd Reduction Gear
15	6276H	Snap Ring - Crescent Type	63	7398H	Needle Bearing
16	633A63	High - Low Range Gears	64	4203R	Low Speed Gear and 2nd Reduction Pinion Cluster
17	8118M	Needle Bearing	65	4204R	Reverse Gear
18	8740H1	Sintered Iron Bearing	66	2898J	Key - Hi - Pro 1 8 x 17:32
19	6217H	Shift Fork Shaft, High - Low Range	67	4926H	Snap Ring - Crescent Type
20	4218R	Differential Pinion Spacer	68	4205R	Intermediate Speed Gear
21	6252H1	Differential Pinion Bushing	69	4206R	High Speed Gear
22	7810H	Gripco Centerlock Nut 3/8 - 24	70	1370H	Thrust Bearing Race
23	4986R	Shift Fork - L.H.	71	633A69	Intermediate and High Speed Cluster Pinions
24	7393R	Oil Seal	72	208J	Input Shaft
25	992R1	Sintered Iron Bearing	73	4201R	Low Speed Pinion
26	6216H	Shift Fork Shaft	74	12000002	E-Ring
27	6262H	Shift Fork - R.H.	75	1153R	Reverse Idler Gear
28	101416X	Shift Shaft, High - Low Range	76	7392H	Reverse Idler Thrust Washer
29	6269H	Oil Seal	77	3990H	Needle Bearing
30	5855H	Pressure Relief Valve	78	73220500	*Hex Nut 5/16 - 18
31	105406X	Gearcase, Reverse Idler Shaft and Bearings - R.H. (Inc. Key No's. 17, 18, 25, 33, 50, 63, 76, 77 and 82)	79	1167R	Sealing Washer
32	6277H	Dowel Pin	80	73360700	Hex Jam Nut 7/16 - 20
33	4225R	Needle Bearing	81	6270H	Oil Seal
34	7396H	Thrust Bearing Race	82	7384H	Reverse Idler Shaft
35	4198R	4th Reduction Gear Shaft	83	100196K	Control Knob
36	4200R	4th Reduction Gear Spacer	84	5384J	Gear Shift Lever - Bent
37	7395H	Thrust Bearing Race	85	2978J	Gear Shift Cap
38	6275H	Gearcase Gasket	86	633A85	Gear Shift Ball Cover and Pin
39	105402X	Gearcase and Bearings - L.H. (Inc. Key No's. 18, 25, 49, 50 (2), 51 and 52)	87	8739H1	Shift Lever Guide Ball - Keyed
40	13060400	Pipe Plug 1/2 - 14 N.P.T.	88	4924H	Spring
45	6271H	Oil Seal	89	19151516	Washer 15 32 x 15 16 x 16 Ga.
46	13060200	Pipe Plug 1/4 - 18 N.P.T.	90	8105R	Shift Mechanism Seal
47	74780524	*Hex Bolt 5/16 - 18 x 1 - 1/2 Grade 5	91	19181511	Washer 9/16 x 15/16 x 12 Ga.
48	10140500	Lockwasher 5/16 Extra Heavy	92	75J	Gear Shift Gate and Reinforcement
			93	6274H	Shift Ball Cover Gasket
			94	76020412	Cotter 1/8 x 3/4
			95	10040500	*Lockwasher 5/16
			96	74760514	*Hex Bolt 5/16 - 18 UNC x 7/8
			97	633A109	Gear Shift Lever Ass'y.
			98	105474X	Transaxle Assembly Less Brake Drum & Shift Lever

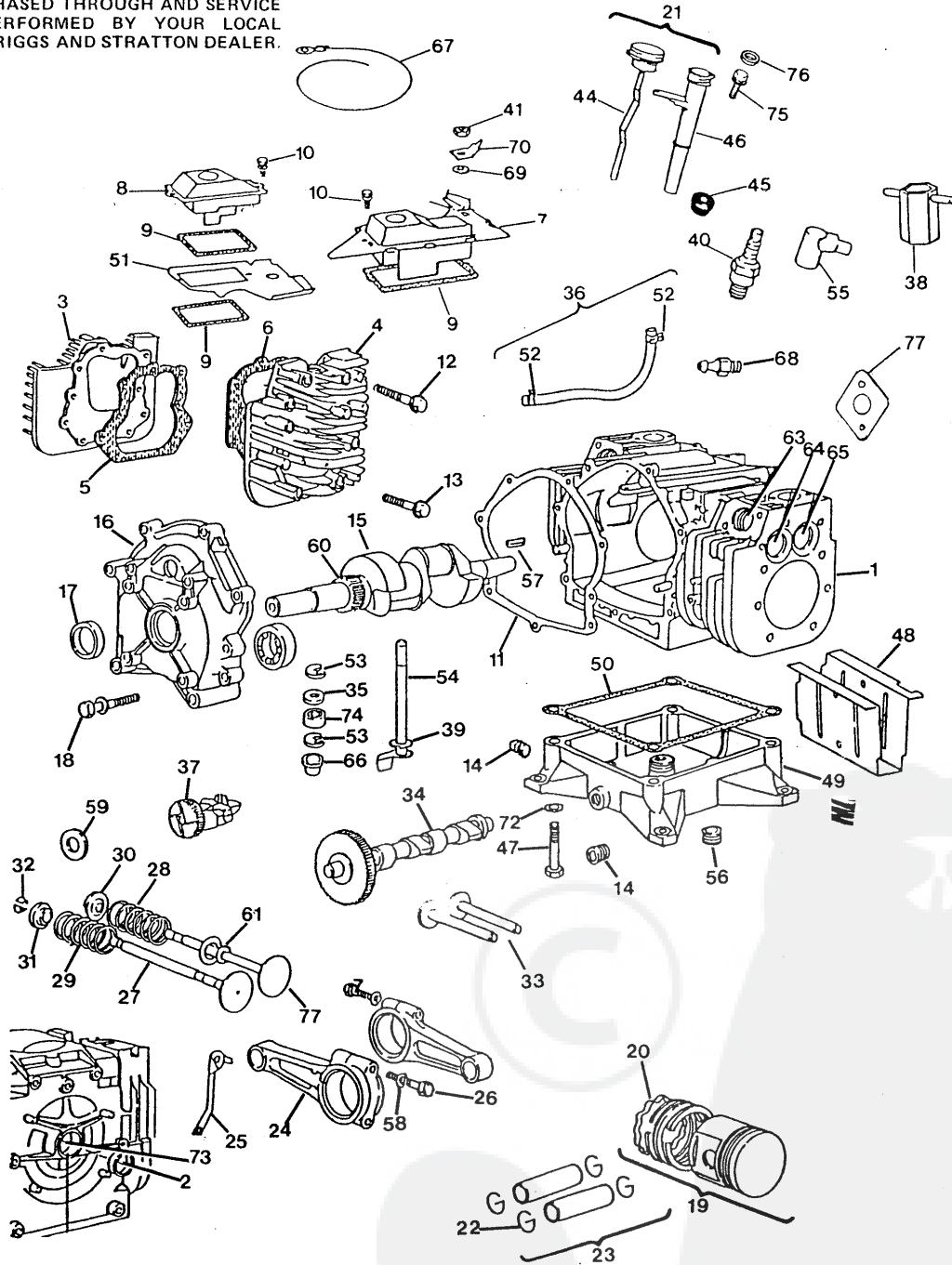
*STANDARD HARDWARE--PURCHASE LOCALLY

REPAIR PARTS

ROPER GT TRACTOR--MODEL GT180CR AND GT180CT ENGINE--MODEL NUMBER 422437, TYPE NUMBER 0758-01

CYLINDER, CRANKSHAFT AND ENGINE BASE GROUP

ALL ENGINE PARTS MUST BE PURCHASED THROUGH AND SERVICE PERFORMED BY YOUR LOCAL BRIGGS AND STRATTON DEALER.



REPAIR PARTS

ROPER GT TRACTOR--MODEL GT180CR AND GT180CT ENGINE--MODEL NUMBER 422437, TYPE NUMBER 0758-01

CYLINDER, CRANKSHAFT AND ENGINE BASE GROUP

KEY NO.	PART NO.	DESCRIPTION	PART NO.	PART NO.	DESCRIPTION
01	491685	Cylinder Assembly			
02	391086	Seal-Oil	34	212337	Gear-Cam
03	212461	Head-Cylinder No. 1	35	271316	Foam Seal - Governor Shaft
04	212462	Head-Cylinder No. 2	36	296004	Pipe - Fuel 23" cut to length
05	271867	Gasket-Cylinder Head No. 1	37	394348	Gear - Governor
06	271868	Gasket-Cylinder Head No. 2	38	89838	Wrench-Spark Plug
07	393243	Breather Assembly No. 1	39	220863	Washer-Gov. Crank (inside)
08	393153	Breather Assembly No. 2	40	394539	Plug-Spark (Resistor) 12-3/8 high-60mm)
09	27803	Gasket-Valve Cover			Nut-Hex 8-32
10	93394	Screw-Sem	41	90576	Terminal
11	270982	Gasket-Crankcase Cover 1/64" Thick	42	231174	Gommet - Insulator
11	271145	Gasket-Crankcase Cover .005" Thick	43	280180	Cap and Dipstick-Oil Filler
11	271146	Gasket-Crankcase Cover .009" Thick	44	398924	Seal-Filler Tube
12	93113	Screw-Cylinder Head (2-5/16" long)	45	68838	Tube - Oil Filler
13	93111	Screw-Cylinder Head (1-15/16" long)	46	280220	Screw-Hex Hd.
14	Plyg-Oil Drain		47	93783	Trough-Dipper
15	394430	Crankshaft - order part 94196 Key for retaining timing gear	48	223055	Base-Engine
16	394535	Cover Assembly - Crankcase	49	394391	Gasket-Engine Base
17	291675	Seal-Oil	50	270981	Guide Air
18	93847	Screw-Crankcase cover Mtg. Sem	51	222700	Clamp-Fuel Pipe
19	394955	Piston Assembly-Standard Inc. Key No.'s 20 & 22)	52	93053	Retianer-E-Ring
19	394956	Piston Assembly - .010" O.S.	53	93851	Crank-Governor
19	394957	Piston Assembly - .020" O.S.	54	394396	Elbow-Spark Plug
19	394958	Piston Assembly - .030" O.S.	55	66538	Plug-Hex Socket
20	394959	Ring Set - Piston - Standard	56	93448	Key-Flywheel
20	394960	Ring Set-Piston - .010" O.S.	57	222698	Washer
20	394961	Ring Set - Piston - .020" O.S.	58	220863	Washer-Thrust
20	394962	Ring Set - Piston - .030" O.S.)	59	222773	Gear-Timing
21	398990	Dipstick and Tube Assembly (Inc. Key No's. 44, 45 & 46)	60	231445	Seal Ass'y. and Retainer
22	260924	Lock-Piston Pin	61	393606	Bearing-Ball (P.T.O. side)
23	299691	Pin Assembly - Piston Standard (Inc. Key No. 22)	62	393741	Guide-Exhaust Valve
23	391286	Pin - Assembly-Piston-.005" O.S.	63	261961	NOTE: 231218 Intake Valve Guide Only (Brass)
24	394306	Rod Assembly-Connecting For Connecting Rod with .020" Crankpin bore order No. 397158	64	210940	Seat-Exhaust Valve (Standard)
25	223053	Dipper-Connecting Rod	65	261463	Seat-Intake Valve (Standard)
26	92909	Screw-Connecting Rod	66	261559	Lower Bushing - Gov.
27	390420	Valve-Exhaust	67	398808	Wire-Ground
28	65906	Spring-Intake Valve	68	230318	Connector-Fuel Pipe
29	26828	Spring-Exhaust Valve	69	92791	Washer-Lock Shakeproof
30	221596	Retainer-Intake Valve	70	93722	Terminal-Spade
31	292260	Rotocoil-Exhaust	71	261528	Valve-Intake
32	93630	Retainer-Exhaust Valve Rotocoil	72	92268	Washer
33	261368	Tappet-Valve-	73	191523	Bearing-Cylinder
			74	261560	Upper Bushing-Governor
			75	93886	Screw
			76	271170	Seal Tube
			77	271174	Gasket - Exhaust

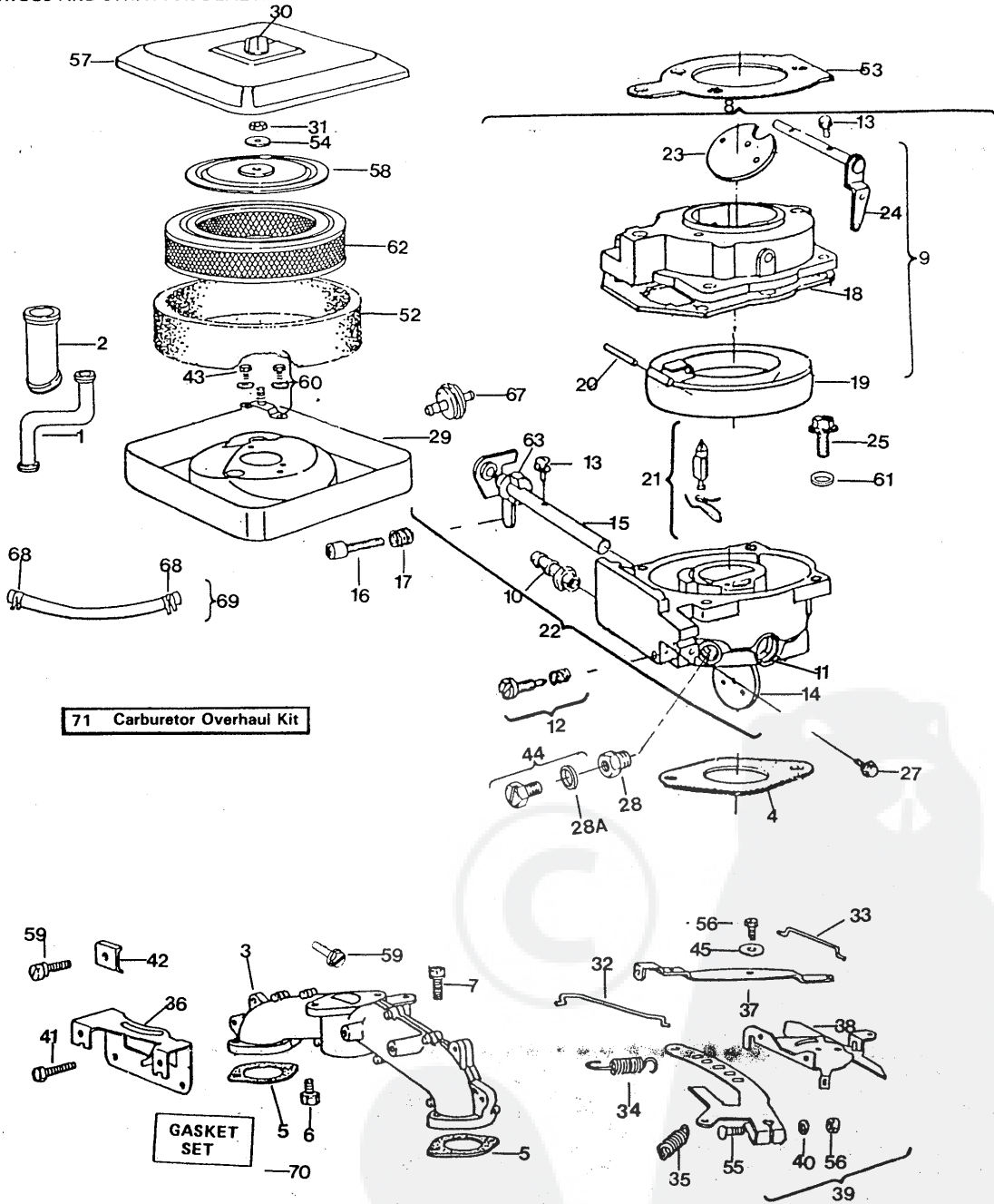
*INCLUDED IN GASKET SET 394501
+ SPECIAL TOOLS REQUIRED TO INSTALL

REPAIR PARTS

ROPER GT TRACTOR--MODEL GT180CR AND GT180CT
ENGINE--MODEL NUMBER 422437, TYPE NUMBER 0758-01

AIR CLEANER--CARBURETOR GROUP

ALL ENGINE PARTS MUST BE PURCHASED THROUGH AND SERVICE PERFORMED BY YOUR LOCAL BRIGGS AND STRATTON DEALER.



REPAIR PARTS

ROPER GT TRACTOR--MODEL GT180CR AND GT180CT
ENGINE--MODEL NUMBER 422437, TYPE NUMBER 0758-01

AIR CLEANER--CARBURETOR GROUP

PART NO.	PART NO.	DESCRIPTION	KEY NO.	PART NO.	DESCRIPTION
1	280185	Tube-Breather	31	93715	Nut-Hex
2	280198	Tube-Intake	32	261444	Kink-Governor
3	212999	Manifold Ass'y. Intake	33	261531	Link-Speed Control
4	271412	+ *Gasket-Carb. Mtg.	34	261720	Spring-Governor
5	270884	Gasket-Intake Manifold Mtg.	35	251563	Spring - Governor Idle
6	93415	Screw Carb. MTG. Sem	36	222807	Bracket-Speed Control
7	93208	Screw Intake Manifold Mtg. Sem	37	222828	Lever-Speed Control
8	491630	Carburetor Ass'y. (Inc. Key No's 9, 10, 11, 12, 13, 14, 15, 16, 17, 18, 19, 20, 21, 22, 23, 24, 25, 28, 44, 46, 47, 48, 49, 50, 51, 61, 63, 64 & 65	38 39 40 41	394324 393846 222289 93163	Plate Ass'y. Governor Control Lever Ass'y. Governor (Inc. Key No's. 40, 55 & 56) Washer Screw-Sem
9	91541	Body Assembly - Upper Carburetor (Inc. Key No's. 10, 13, 18, 23 & 24)	42 43 44	221535 83893 397882	Clamp-Casing Screw-Sem Plug (Inc. Key No. 28A)
10	230318	Connector - Fuel	45	231172	Bushing-Speed Control
11	231209	Bushing-Throttle Shaft	52	271271	Element-Air Cleaner
12	491538	+ Valve Ass'y.-Carb. Idle	53	271411	+ Gasket-Air Cleaner
13	93499	Screw-Throttle and Choke Valve Mtg. Sem	54 55	271180 93853	Washer Bolt-Governor Lever
14	221939	Valve-Throttle	56	92278	Nut-Hex
15	392672	Shaft and Lever-Throttle	57	223001	Cover-Air Cleaner
16	91920	Screw-Mach. Fil Hd. 8-32 x 5/8	58	222835	Cartridge Plate-Air Cleaner
17	26157	Spring - Throttle Adj.	59	93496	Screw-Sem
18	271607	+ *Gasket-Carburetor Body	60	392643	Mounting Strap Ass'y. Air Cleaner (Inc. Key No. 43)
19	298514	Float-Carburetor Body	61	66432	Washer Plain
20	230896	+ Pin-Float Hinge	62	394018	Cartridge-Air Cleaner
21	394681	+ Valve-Fuel Inlet	63	271013	+ Washer-Choke Shaft
22	491665	Body - Lower Carburetor (Inc. Key No's. 11, 13, 14, 15 & 65)	66	93828	Screw-Sem
23	223534	Valve-Choke	67	394358	Filter-Fuel
24	392673	Shaft and Lever-Choke	68	93053	Clamp-Fuel Pipe
25	94152	Screw-Hex Head Sem 10/32 x 3/4	69	393815	Fuel-Line (28") (cut to required length 11- 1/4)
27	93897	Screw-Casing Clamp	70	394501	Gasket Set
28	231338	Jet-Needle Valve	71	491539	Carburetor Overhaul Kit
28A	280474	O-Ring Seal	72	223472	Plug - Welch
29	222752	Body-Air Cleaner			
30	212706	Knob-Air Cleaner			

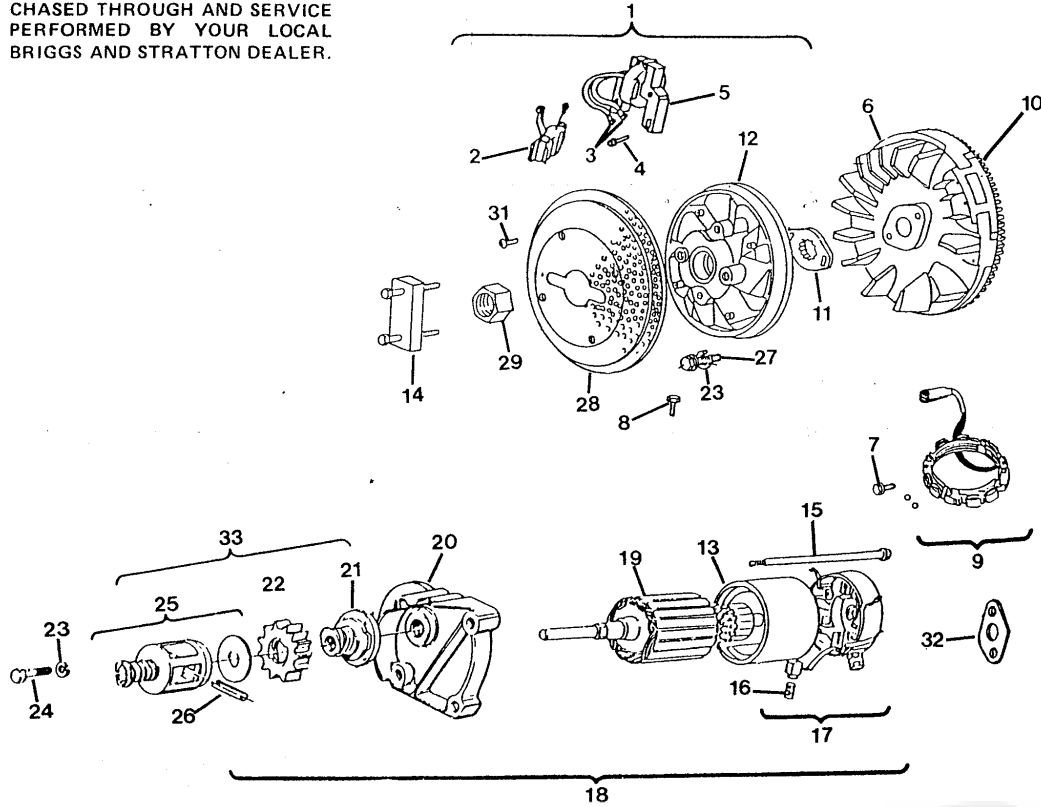
*INCLUDED IN GASKET SET
+INCLUDED IN CARBURETOR OVERHAUL KIT
°HIGH ALTITUDE - JET NEEDLE
VALVE - PART NO. 231333

REPAIR PARTS

ROPER GT TRACTOR--MODEL GT180CR AND GT180CT
ENGINE--MODEL NUMBER 422437, TYPE NUMBER 0758-01

STARTER MOTOR GROUP

ALL ENGINE PARTS MUST BE PURCHASED THROUGH AND SERVICE PERFORMED BY YOUR LOCAL BRIGGS AND STRATTON DEALER.



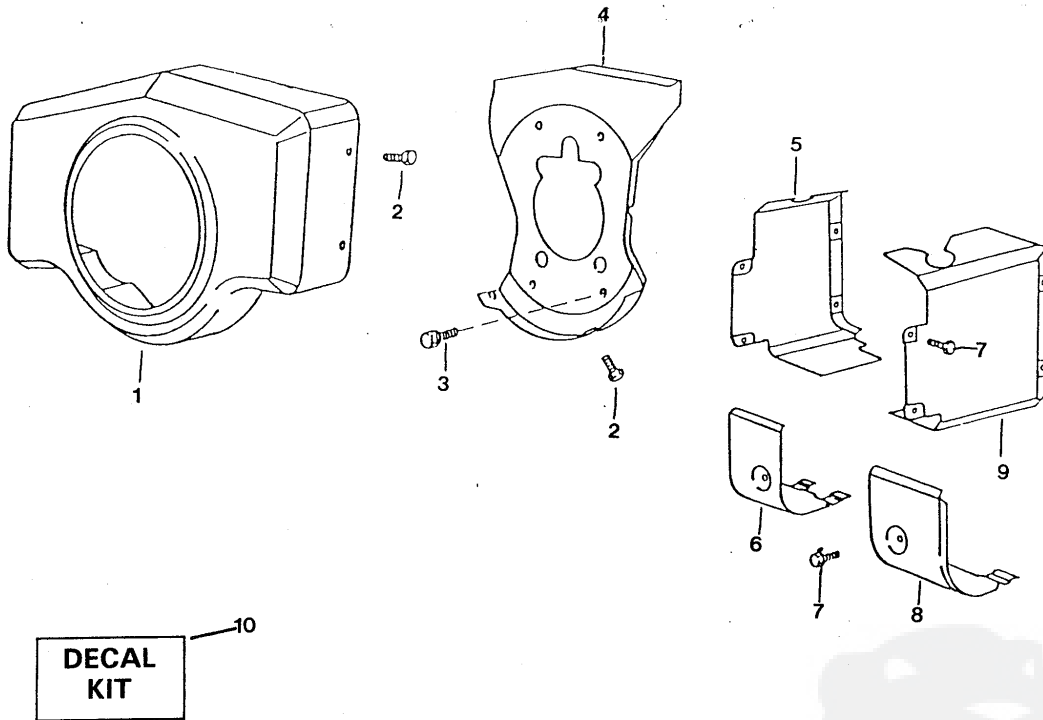
KEY NO.	PART NO.	DESCRIPTION	KEY NO.	PART NO.	DESCRIPTION
1	394891	Armature Group (Inc. Key No's. 2, 3 & 5)	18	394808	Motor - Starting (Inc. Key No's. 13, 15, 16, 17, 19, 20, 21, 22, 23 & 24)
2	394970	Capsule Assembly - Magnetron® Ignition	19	390837	Amature Assembly (Motor)
3	221798	Terminal - Ignition Cable	20	394860	Drive End Cap Ass'y. - Starter
4	93381	Screw - Armature Mtg. Sem	21	391135	Clutch Ass'y.
5	394988	Armature Ass'y.	22	280104	Gear
6	392956	Flywheel and Ring Gear Ass'y.	23	90366	Lockwasher
7	93621	Screw - Sem	24	91162	Screw - Hex Hd. - 5/16 - 18 x 1 - 1/2"
8	93343	Screw-Regulator	25	393254	Kit - Pinion Spring (Inc. Key No's. 22 & 26)
9	392595	Stator - Alternator	26	93754	Roll Pin
10	391362	Gear - Flywheel Ring (Includes Mounting Parts)	27	92674	Screw - Hex Hd.
11	22906	Nut Flywheel Lock	28	223008	Screen - Rotating
12	212418	Fan - Booster	29	231247	Nut - Jam
13	393825	Housing Assembly	30	393537	Connector - Tri Circuit
14	19203	Puller - Flywheel (Optional Accessory)	31	93808	Screw-Sem
15	94003	Thru Bolt	32	271174	Gasket - Exhaust
16	395538	Brush Set	33	396865	Starter Drive Group (Inc. Key No's. 21, 22, 25 & 26)
17	395537	Commutator End Cap Ass'y. - Starter (Inc. Key No. 16)	34	393422	Alternator Harness Assembly

REPAIR PARTS

ROPER GT TRACTOR--MODEL GT180CR AND GT180CT
ENGINE--MODEL NUMBER 422437, TYPE NUMBER 0758-01

MUFFLER, AIR GUIDE AND HOUSING GROUP

ALL ENGINE PARTS MUST BE PURCHASED THROUGH AND SERVICE PERFORMED BY YOUR LOCAL BRIGGS AND STRATTON DEALER.



KEY NO.	PART NO.	DESCRIPTION
1	396088	Housing-Blower
2	93158	Screw - Sem
3	93777	Screw - Hex H.
4	392934	Back Plate Assembly
5	222848	Cover - Air Guide
6	222846	Shield - Cylinder
7	93163	Screw - Sem
8	222847	Shield - Cylinder
9	222849	Cover - Air Guide
10	491262	Decal Kit

CONGRATULATIONS . . .

on your purchase of a Roper Garden Tractor. It has been designed, engineered and manufactured to give you dependability and performance. Should you experience any problem you cannot easily remedy, please contact your nearest authorized service dealer. He has well-trained technicians and the proper tools and parts to service or repair this unit.

Please read and retain this manual. Following the "Rules For Safe Operation", "Assembly", "Operation", and "Maintenance" instructions will help you achieve a long, safe, service life for your Roper Garden Tractor.

LIMITED WARRANTY

Roper Corporation warrants to the original consumer purchaser that this product as manufactured is free from defects in materials and workmanship. For a period of two (2) years from date of purchase by the original consumer purchaser, we will repair or replace, at our option, without charge for parts or labor incurred in replacing parts, any part which we find to be defective due to materials or workmanship. This warranty is subject to the following limitations and exclusions:

1. Engine Warranty: All engines on Roper[®] products have a separate Warranty extended by the individual Engine Manufacturer; said Warranty must be referred to in the event of a service requirement (see page 45 and back cover).
2. Transaxle/Transmission Warranty: Some Roper[®] products have a Transaxle/Transmission supplied by other manufacturers. Such Transaxle/Transmissions are warranted by that manufacturer and said Warranty must be referred to in the event of a service requirement.
3. Battery Warranty: On products equipped with a battery, Roper[®] will replace, without charge to you, any battery which we find to be defective in manufacture during the first year of ownership. Battery must be maintained in accordance with instructions in the product literature.
4. The warranty period for any products used for rental or commercial purposes is limited to 90 days from the date of original purchase.
5. This warranty applies only to products which have been properly assembled, adjusted and operated in accordance with instructions found in product literature for your product. This warranty does not apply to any product which has been subject to alterations, misuse, abuse, improper assembly, installation, or delivery damages.
6. Exclusions: Excluded from this warranty are belts, blades, blade adapters, normal wear, normal adjustments, and normal maintenance.

7. In the event you have a claim under this warranty, you must return the product to an authorized Roper Outdoor Power Equipment service dealer.

Should you have any unanswered questions concerning this warranty, please contact:

In U.S.A. contact:
Roper Outdoor Power Equipment
Service Department
12052 Middleground Rd.
Savannah, Georgia 31419

In Canada contact:
Roper Canada Limited
1040 Jayson Court
Mississauga, Ontario L4W2V5

giving the model number, serial number and date of purchase of your product and the name and address of the authorized Roper dealer from whom it was purchased.

THIS WARRANTY DOES NOT APPLY TO INCIDENTAL OR CONSEQUENTIAL DAMAGES AND IMPLIED WARRANTIES ARE LIMITED TO THE SAME TIME PERIODS STATED HEREIN FOR ROPER'S EXPRESSED WARRANTIES. Some states do not allow the limitation of consequential damages or limitation of how long an implied warranty may last, so the above limitations or exclusions may not apply to you. This warranty gives you specific legal rights and you may have other rights which vary from state to state.

This is a Limited Warranty within the meaning of that term as defined in the Magnuson-Moss Act of 1975.

840712

TABLE OF CONTENTS

RULES FOR SAFE OPERATION	1	ASSEMBLY INSTRUCTIONS - MOWER	16
ASSEMBLY	2	OPERATION INSTRUCTIONS - MOWER	19
OPERATION INSTRUCTIONS - TRACTOR	5	MAINTENANCE INSTRUCTIONS - MOWER	20
MAINTENANCE INSTRUCTIONS - TRACTOR	6	SCHEMATIC DIAGRAM	23
LUBRICATION CHART	13	REPAIR PARTS	24
TROUBLE SHOOTING - MOWER	15		