

CATALOGUE PIECES DE RECHANGE

BERNARD Loisirs

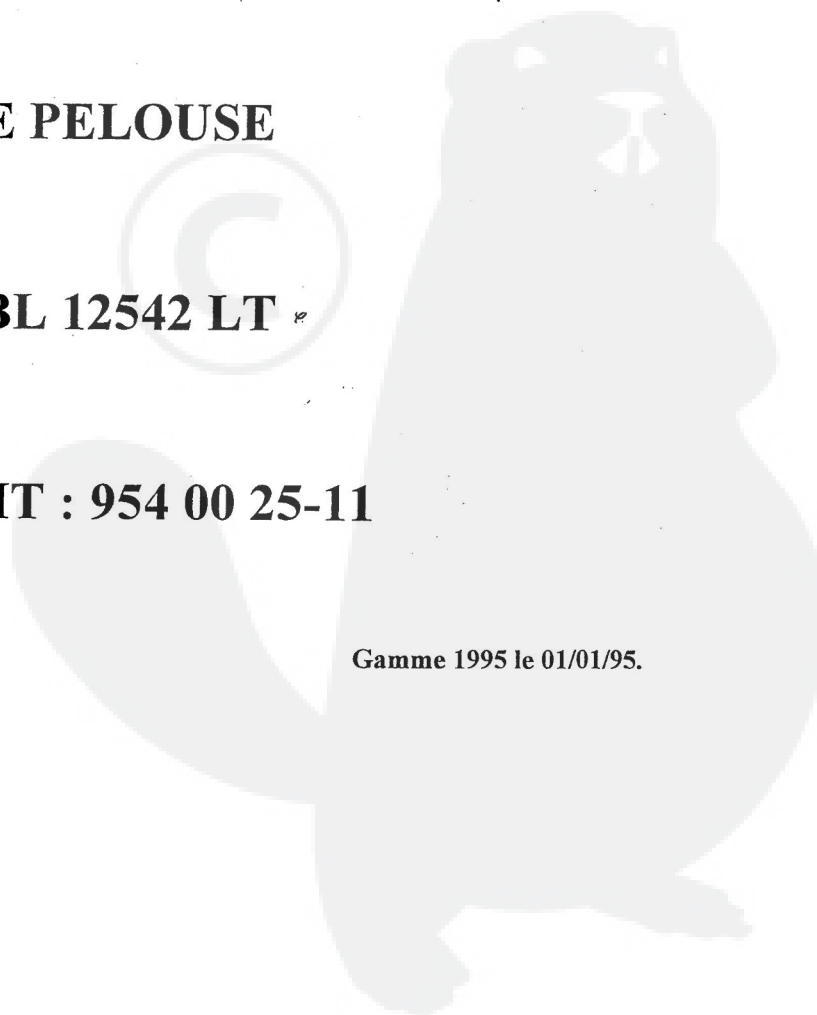
TRACTEUR DE PELOUSE

MODELE : BL 12542 LT

N° DE PRODUIT : 954 00 25-11

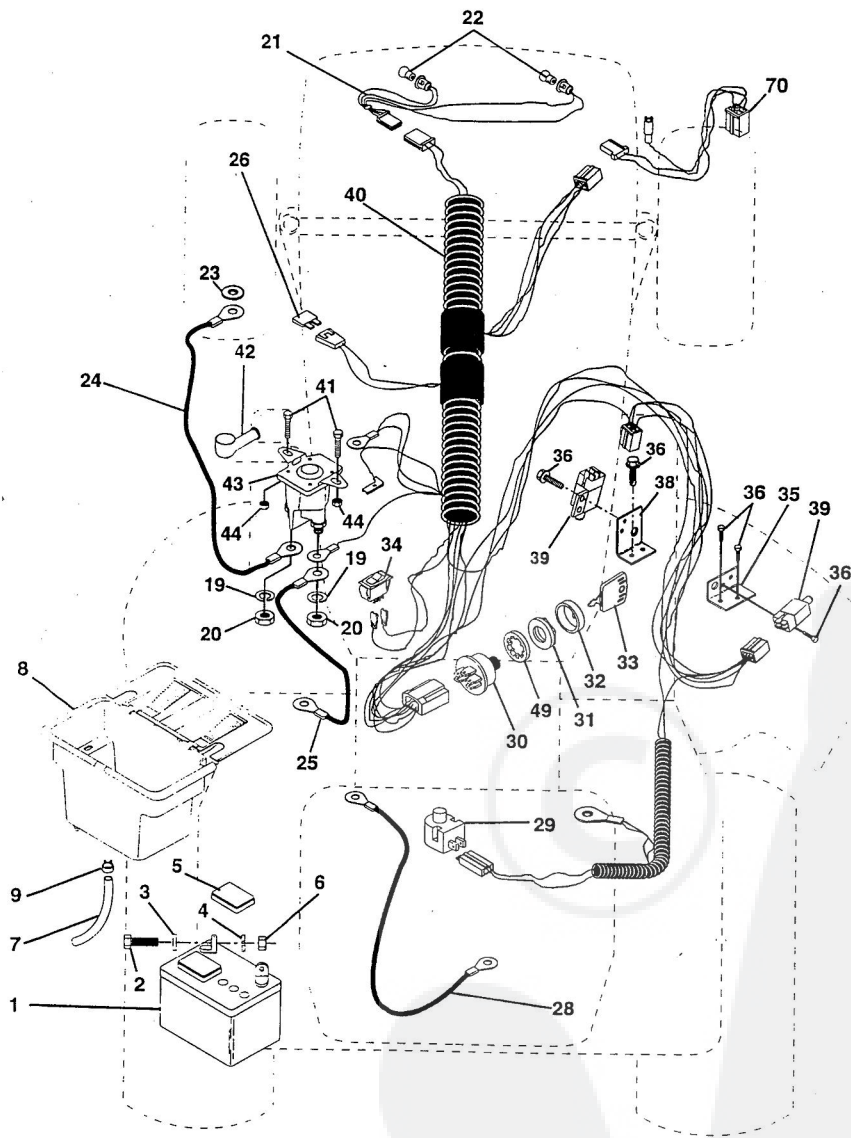
142441 09.01.94

Gamme 1995 le 01/01/95.



REPAIR PARTS

12.5 HP 42" TRACTOR - - MODEL NO. BL12542LTB, PRODUCT NO. 954 0025-11
ELECTRICAL



REPAIR PARTS

2.5 HP 42" TRACTOR -- MODEL NO. BL12542LTB, PRODUCT NO. 954 0025-11

ELECTRICAL

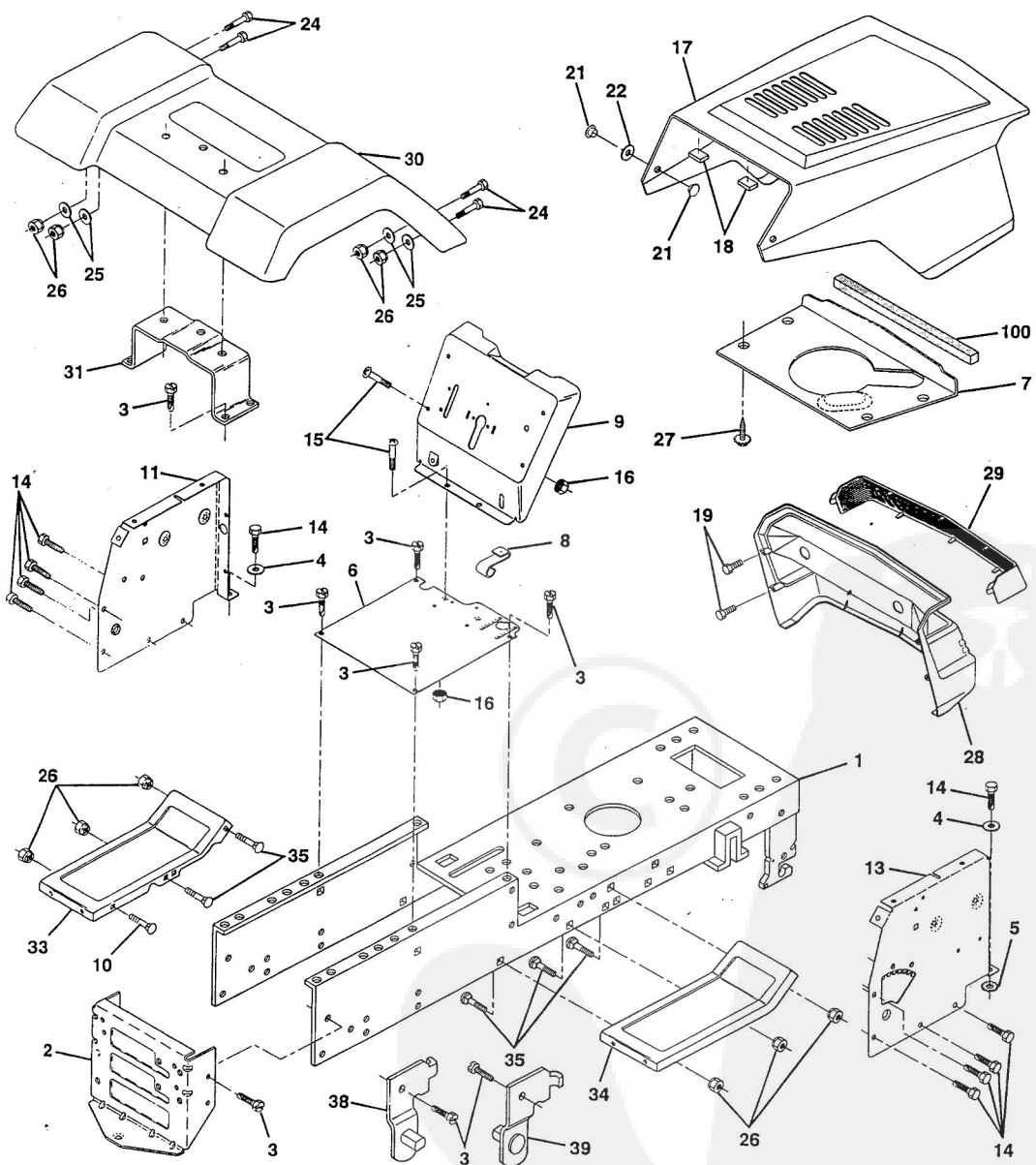
KEY NO.	PART NO.	DESCRIPTION
1	532121265	Battery 12 Volt 25 AMP
2	874760412	Bolt Hex Hd 1/4-20unc X 3/4
3	819091016	Washer 9/32 X 5/8 X 16 Ga.
4	810040400	Washer Lock Hvy Helical 1/4
5	532121264	Caps Battery 20/25/30 AMP
6	873220400	Nut Fin Hex 1/4-20 Unc
7	532109238	Tube Plastic 12"
8	532129965	Case Battery Hng Mech W/lid
9	532109596	Clamp Hose Olive
19	810090400	Washer Lock 1/4
20	873350400	Nut Jam Hex 1/4-20 Unc
21	532136850	Harness Asm Light W/4152j
22	532004152	Bulb Light #1156
23	811150400	Washer Lock Internal Tooth 1/4
24	532124780	Cable Battery 6 Ga 11" red
25	532132202	Cable Battery 6 Ga 43" red
26	532108824	Fuse 30 AMP Auto Green
28	532124773	Cable Ground 6 Ga 12" black
29	532121305	Switch Plunger Nc Gray
30	532144921	Switch Ign
31	532140400	Nut Ignition
32	532141226	Cover Sw Ignition
33	532140401	Key
34	532110712	Switch Light Blk Blk Red
35	532108236	Bracket Switch Clutch
36	817021008	Screw Tap Hex #10-24unc X 1/2
38	532140336	Bracket, Switch, Interlock
39	532109553	Switch Intlk Clutch Red 4 Term
40	532140415	Harness Ign Dash Lt Hyd Mech
41	871110408	Bolt Blk Fin Hex 1/4 - 20 x 1/2
42	532131563	Cover Terminal Red
43	532138406	Solenoid
44	873640400	Nut Keps Hex 1/4-20 Unc
49	811151000	Wahser, Lock Internal Tooth 5/8
70	532140413	Harness, Eng.

NOTE: All component dimensions given in U.S. inches.
1 inch = 25.4 mm.



REPAIR PARTS

12.5 HP 42" TRACTOR -- MODEL NO. BL12542LTB, PRODUCT NO. 954 00 25-11
CHASSIS AND ENCLOSURES



REPAIR PARTS

2.5 HP 42" TRACTOR -- MODEL NO. BL12542LTB, PRODUCT NO. 954 00 25-11

CHASSIS AND ENCLOSURES

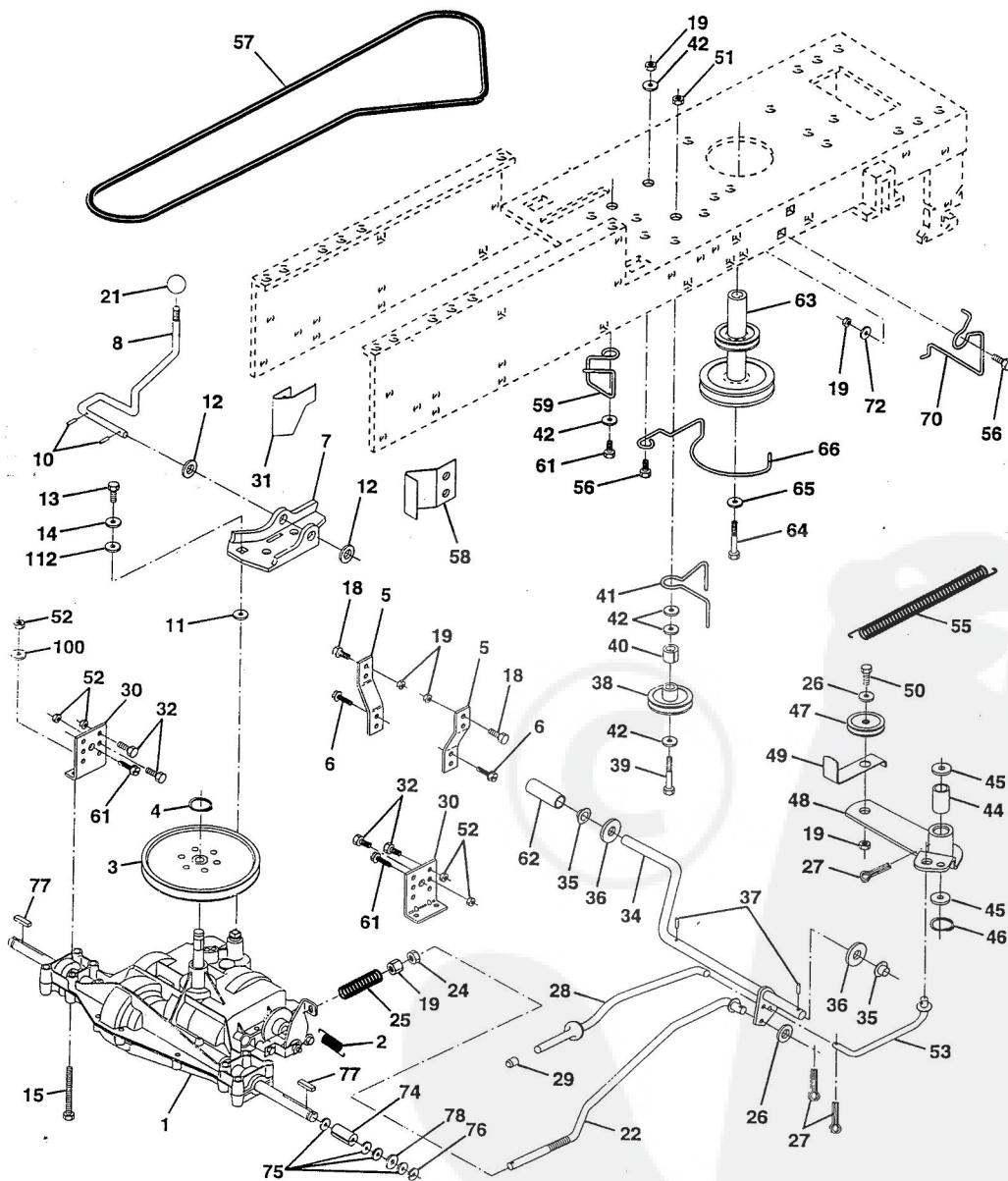
KEY NO.	PART NO.	DESCRIPTION
1	532140341	Chassis Wldmt 11
2	532140356	Drawbar Stretch
3	817490612	Screw Thdrol 3/8-16x3/4 Ty-tt
4	819131216	Washer 13/32 X 3/4 X 16 Ga.
5	811050600	Washer, Lock, Ext.
6	532146182	Saddle Slkscr
7	532124027	Shield Heat Hood Lt
8	532126471	Clip Insulator .406 Mtg Hole
9	532141323	Dash Slkscr
10	872140608	Bolt Rdhd Sqnk 3/8-16unc X3/4
11	532135464	Panel Dash LH
13	532124829	Panel Dash RH Weldment
14	817490608	Screw Thdrol 3/8-16x1/2 Ty-tt
15	874180512	Screw Mach TRHD 5/16-18uncx3/4
16	873510500	Nut Keps 5/16-18 Unc
17	532125153	Hood Asm Pnt Weld Yel Slope
18	532126938	Bumper Hood
19	817521312	Screw Sltd Hex Hd w/Pl Washer
21	532122933	Rivet Ratchet Nylon
22	532124479	Washer Nylon Blk 28x 75x 19
24	874780616	Bolt Fin Hex 3/8-16unc X Gr. 1
25	819131312	Washer 13/32 X 13/16 X 12 Ga.
26	873800600	Nut Lock Hex W/wsh 3/8-16unc
27	817030814	Screw Lock Spider #8 x 7/8
28	532140135	Grille Grey
29	532124029	Lens Headlight Bar
30	532124887	Fender Pnt LT W/shf W/ign
31	532136619	Bracket Fender Repl 109873x
33	532124899	Footrest Pnt LH (Husq Gray)
34	532124914	Footrest Pnt RH (Husq Gray)
35	872110606	Bolt Rdhd Sht Sqnk 3/8-16 X3/4
38	532139886	Bracket Asm Pvt LH MWR Rear
39	532139887	Bracket Asm Pvt RH MWR Rear
100	532105037	Strip Foam 18"
--	532005479	Plug Button Blk 359 Dia Choke

NOTE: All component dimensions given in U.S. inches.
1 inch = 25.4 mm.



REPAIR PARTS

12.5 HP 42" TRACTOR -- MODEL NO. BL12542LTB, PRODUCT NO. 954 00 25-11
DRIVE



REPAIR PARTS

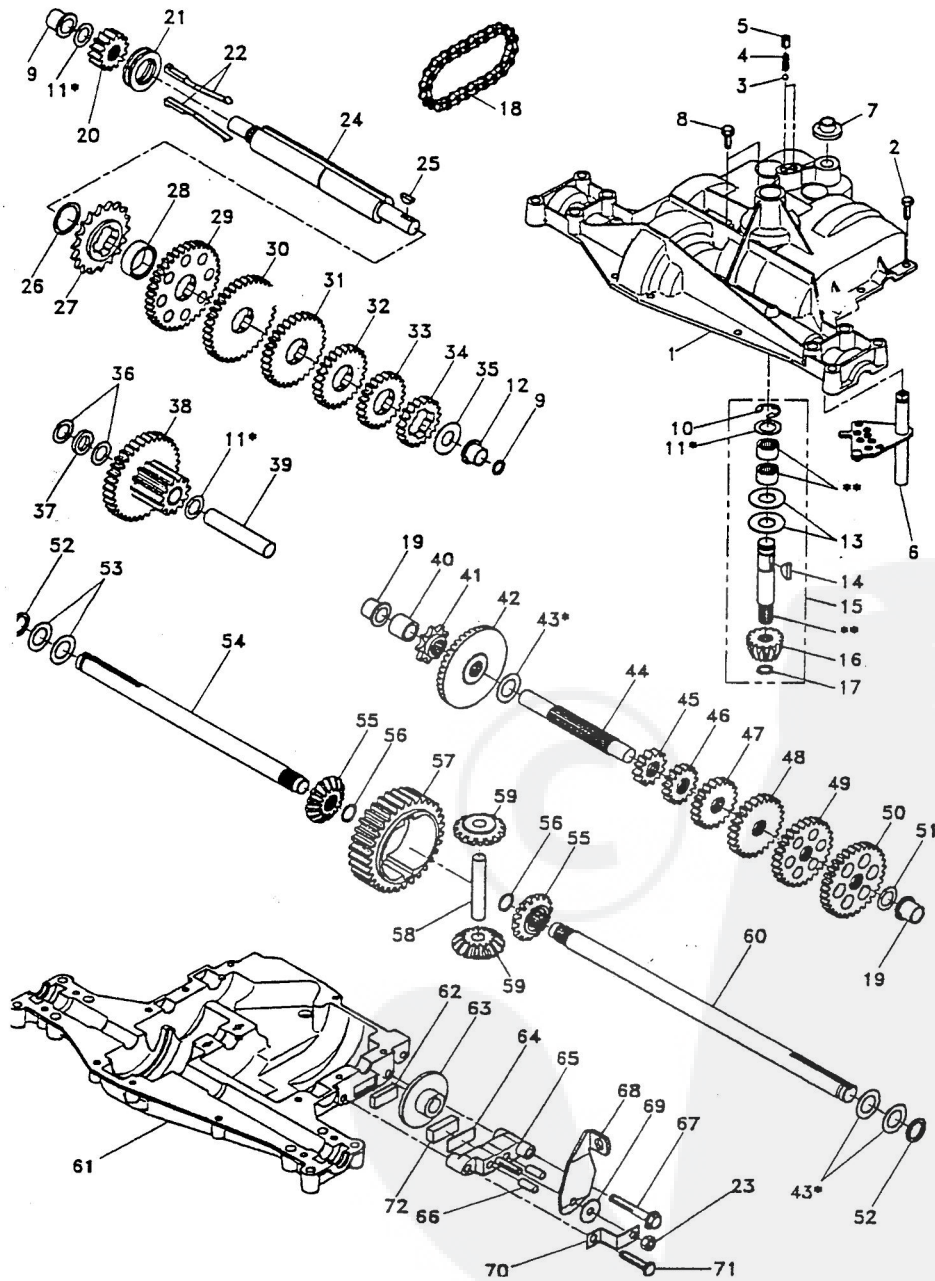
12.5 HP 42" TRACTOR - - MODEL NO. BL12542LTB, PRODUCT NO. 954 00 25-11
DRIVE

KEY NO.	PART NO.	DESCRIPTION	KEY NO.	PART NO.	DESCRIPTION
1	532142603	Transaxle 6sp Model No. 4360-79	40	532124965	Spacer Split 395 X 59 Bzp
2	532110422	Spring Return Brake T/a Zinc	41	532109070	Keeper Belt Retainer
3	532123666	Pulley Transaxle 18" tires	42	819131312	Washer 13/32 X 13/16 X 12 Ga
4	812000028	Ring Retainer # 5100-62	44	532105706	Bearing Nyl 503 X 628 X 1 25
5	532121520	Strap Torque 30 Degrees	45	532110812	Washer Hardened
6	817490512	Screw Thdrol 5/16-18 X 3/4 TYT	46	812000039	Ring Klip #t5304-50
7	532130802	Bracket Saddle Shift	47	532127783	Pulley Idler V Groove Plastic
8	532131677	Rod Shifter	48	532123700	Bellcrank Asm Clutch
10	876020416	Pin Cotter 1/8 X 1 Cad	49	532123200	Retainer Belt Style Spring
11	532105701	Washer Plate Shf 388 Sq Hole	50	874760624	Bolt Hex Hd 3/8-16unc X 1-1/2
12	819151216	Washer 15/32 x 3/4 x 16 Ga.	51	873680600	Nut Crownlock 3/8-16 Unc
13	874550412	Bolt 1/4-28 Unf Gr 8 w/Patch	52	873680500	Nut Crown Lock 5/16-18
14	810040400	Washer Lock Hvy Helical 1/4	53	532105710	Link Clutch 7 66
15	874780544	Bolt Fin Hex 5/16 - 18 UNC x 2.75	55	532105709	Spring Return Clutch 6 75
18	874780616	Bolt Fin Hex 3/8-16unc X 1 Gr 5	56	874760620	Bolt Fin Hex 3/8-16 x 1-1/4
19	873800600	Nut Lock Hex W/wsh 3/8-16unc	57	532130801	V-Belt Ground Drive 95 25 42"
21	532106933	Knob Rd 1/2-13 Plstc Thds Blk	58	532127274	Keeper Belt RH LT Pnt/zinc 16g
22	532130804	Rod Brake Blk Zinc 27 326	59	532140312	Keeper Belt Chassis Span Ctr
24	873350600	Nut Hex Jam 3/8-16 Unc	61	817490612	Screw Thdrol 3/8-16x3/4 Ty-tt
25	532106888	Spring Rod Brake 2 00 Zinc	62	532124872	Cover Pedal Blk Round
26	819131316	Washer 13/32 X 13/16 X 16 Ga	63	532140186	Engine Pulley
27	876020412	Pin Cotter 1/8 X 3/4 Cad	64	871170764	Bolt Hex 7/16-20x4 Gr 5
28	532140448	Rod Brake Parking LT	65	810040700	Washer Lock Hvy Hlcl Spr. 7/16
29	532071673	Cap Brake Parking Black	66	532129921	Keeper Belt Engine LH LT
30	532130807	Bracket Mtg Transaxle	70	532134683	Guide Belt Mower Drive RH
31	532127275	Keeper Belt LH LT 14 Ga	72	819132012	Washer 13/32 X 1-1/4 X 12 Ga
32	874760512	Bolt Hex Hd 5/16-18unc X 3/4	74	532109502	Spacer Axle
34	532122424	Shaft Asm Pedal Foot 1 930	75	532121749	Washer 25/32 X 1 1/4 X 16 Ga.
35	532120183	Bearing Nylon Blk 629 Id	76	812000001	E-ring #5133-75
36	819211616	Washer 21/32 X 1 X 16 Ga	77	532123583	Key Square 2 0 X 1845/ 1865
37	532124963	Pin Roll 3/16 X 1"	78	532121748	Washer 25/32 X 1-5/8 X 16 Ga
38	532123674	Pulley Idler Flat	100	819111216	Washer 11/32 x 3/4 x 16 Ga.
39	874760644	Bolt Fin Hex 3/8-16unc X 2-3/4	112	819091210	Washer 9/32 X 3/4 X 10 Ga

NOTE: All component dimensions given in U.S. inches
1 inch = 25.4 mm

REPAIR PARTS

12.5 HP 42" TRACTOR - - MODEL NO. BL12542LTB, PRODUCT NO. 954 00 25-11
DANA TRANSAXLE - MODEL NUMBER 4360-79



REPAIR PARTS

12.5 HP 42" TRACTOR - - MODEL NO. BL12542LTB, PRODUCT NO. 954 00 25-11

DANA TRANSAXLE - MODEL NUMBER 4360-79

KEY PART NO. NO.

DESCRIPTION

1	532142671	Housing, Upper
2	532002274	Screw, Self-Tapping, Large 1/4-20 x .734
3	532134400	Ball, Detent
4	532105904	Spring, Detent
5	532105905	Screw, Set
6	532138235	Kit, Shifter Assembly
7	532134399	Boot, Shifter
8	532134791	Screw, Self-Tapping, with Sealer
9	532138241	Square Ring
10	532142672	Ring, Retaining
11	532134793	Assembly, Kit, Shim .625 Shaft
12	532142673	Bearing, Flange
13	532120415	Washer, Plain .632 x 1.38 x .046
14	532142674	Key, Woodruff, #9
15	532138234	Assembly, Kit, Input Shaft
16	532110078	Pinion, Bevel, 14 Teeth
17	532105909	Ring, Retaining
18	532105910	Chain, 24 Pitches
19	532105911	Bearing, Flange
20	532142675	Gear, Spur, 14 Teeth
21	532138246	Collar, Clutch
22	532138236	Assembly, Kit, Clutch Keys
23	873810500	Locknut 5/16-24
24	532142676	Shaft, Intermediate
25	532002244	Key, Woodruff, #61
26	532105916	Ring, Retaining
27	532120470	Sprocket, 18 Teeth
28	532110070	Spacer
29	532142677	Gear, Spur, 37 Teeth
30	532142681	Gear, Spur, 35 Teeth
31	532120405	Gear, Spur, 30 Teeth
32	532108980	Gear, Spur, 25 Teeth
33	532120406	Gear, Spur, 22 Teeth
34	532134796	Gear, Spur, 19 Teeth
35	532105925	Washer, Plain .640 x 1.37 x .061
36	532002232	Washer, Plain .632 x 1.00 x .026
37	532108978	Spacer .630 x 1.00 x .169
38	532110079	Assembly, Gear, Combination of 12 Teeth and 35 Teeth
39	532124639	Shaft, Idler
40	532120472	Spacer .635 x .875 x .755

KEY PART NO. NO.

DESCRIPTION

41	532105928	Sprocket, 9 Teeth
42	532110084	Gear, Bevel, 42 Teeth
43	532134394	Assembly, Kit, Shim .750 Shaft
44	532120473	Shaft, Drive
45	532142678	Gear, Spur, 12 Teeth
46	532142679	Gear, Spur, 15 Teeth
47	532120407	Gear, Spur, 20 Teeth
48	532106589	Gear, Spur, 25 Teeth
49	532120408	Gear, Spur, 28 Teeth
50	532105937	Gear, Spur, 31 Teeth
51	532002226	Washer, Plain .632 x 1.00 x .060
52	532134401	Washer, Neoprene
53	532002264	Washer, Plain .758 x 1.25 x .031
54	532120474	Axle, L.H.
55	532110081	Gear, Miter, 15 Teeth
56	532105941	Ring, Retaining
57	532110071	Gear, Spur, 32 Teeth
58	532120952	Shaft, Cross
59	532110082	Gear, Miter, 15 Teeth
60	532123908	Axle, R.H.
61	532142680	Housing, Lower
62	532120961	Puck, Friction
63	532007294	Disc, Brake
64	532108989	Spacer
65	532120953	Jaw, Brake
66	532120954	Pin, Dowel
67	532134799	Screw, Self-Tapping, Large 5/16-18 x 2.25
68	532138244	Lever, Actuating
69	532108996	Washer, Plain .321 x 1.00 x .055
70	532120956	Bracket, Anti-Rotation
71	532106596	Screw, Self-Tapping, Large 5/16-18 x 1.44
72	532120951	Puck, Friction
73	532120416	Grease

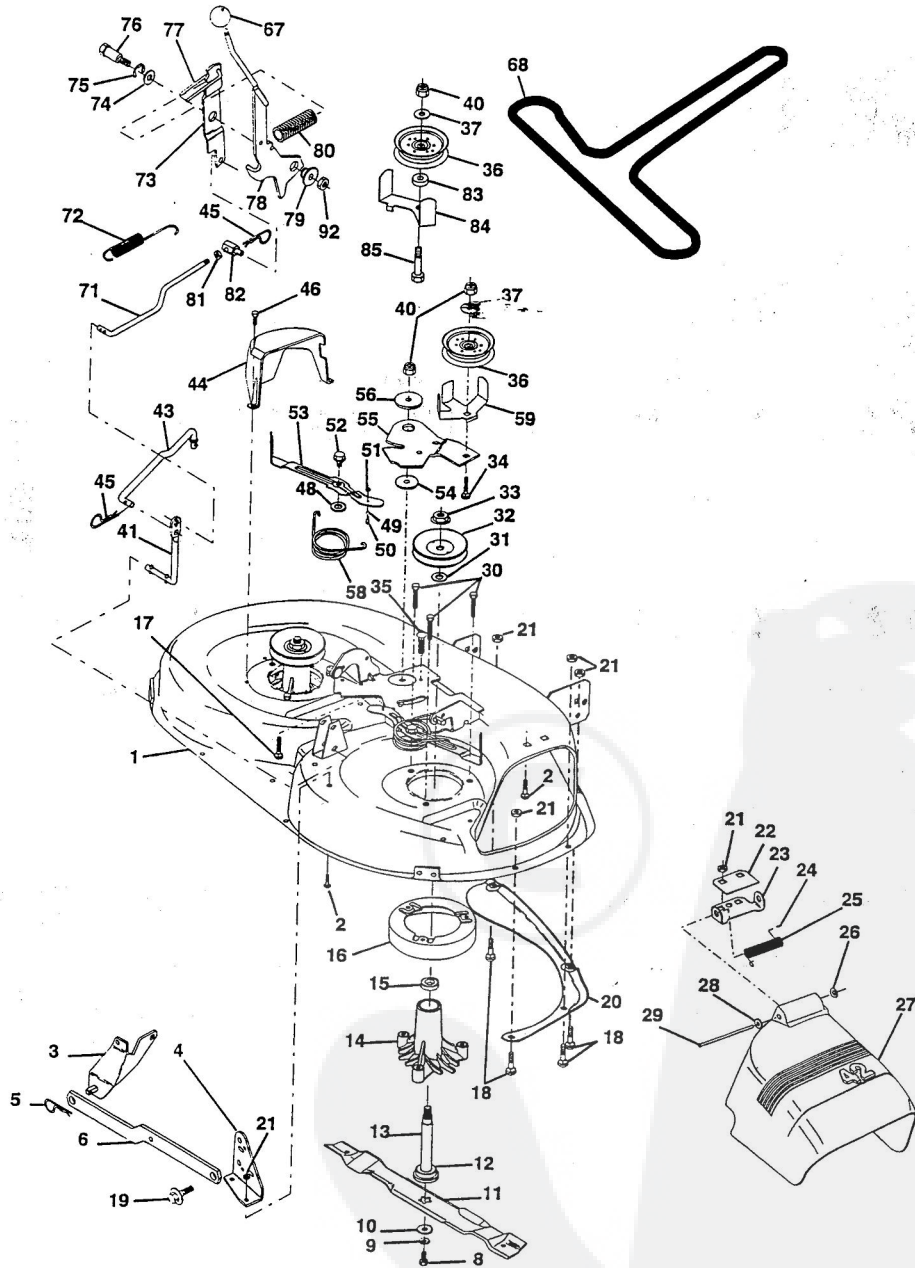
* Use in combinations to maintain proper clearances

** Order Key No. 15

NOTE: All component dimensions given in U.S. inches
1 inch = 25.4 mm

REPAIR PARTS

12.5 HP 42" TRACTOR -- MODEL NO. BL12542LTB, PRODUCT NO. 954 00 25-11
42" MOWER



REPAIR PARTS

12.5 HP 42" TRACTOR -- MODEL NO. BL12542LTB, PRODUCT NO. 954 00 25-11
42" MOWER

KEY PART NO. NO.

KEY PART NO. NO.	DESCRIPTION
1	532144393 Deck Asm MWR 42" weldment
2	872140506 Bolt Rdhd Sqnk 5/16-18unc X3/4
3	532138017 Bracket Asm Fr Sway Bar 38/42
4	532138440 Bracket Asm Deck 42" sway Bar
5	532124670 Retainer Spring
6	532130832 Arm Suspension Rear
8	532850857 Bolt 3/8 - 24 X 1.25 Gr 8
9	810030600 Washer Lock Hvy 3/8 Unplated
10	532140296 Washer Hard Blā Lower
11	532138498 Blade Mower High Lift
12	532129895 Bearing Ball # 6204 (Mandrel)
13	532137645 Shaft Asm W/Lower Bearing
14	532128774 Housing Mandrel Vented (Machd)
15	532110485 Bearing Ball Mandrel
16	532140329 Stripper Mower Vented
17	872110610 Bolt Rdhd Sqnk 3/8-16 X 1-1/4
18	872140505 Bolt Carr 5/16-18 X 5/8
19	532132827 Bolt Shoulder
20	532136888 Baffle Vortex 42"
21	873680500 Nut Crown Lock 5/16-18
22	532134753 Stiffener Bracket 42" deck
23	532131267 Bracket Deflector Mower 42"
24	532105304 Cap Sleeve 80x 112 Blk Mower
25	532123713 Spring Torsion Deflector 2 52
26	532110452 Nut Push Phos & Oil
27	532130968 Shield Deflector Mower 42" Blk
28	819111016 Washer 11/32 X 5/8 X 16 Ga.
29	532131491 Rod Hinge 42" 6 75 Wlg
30	532138776 Bolt 5/16-18 X 1 25 T/t
31	532129963 Washer Spacer Mower Vented
32	532129861 Pulley Mandrel 42"
33	532137266 Nut 9/16 Top Lock Flng Oil Dip
34	872110614 Bolt Rdhd 3/8-16uncx1-3/4 Gr5
35	532133835 Fastner Christmas Tree
36	532131494 Pulley Idler Flat 3 060
37	819131316 Washer 13/32 X 13/16 x 16 Ga.
40	873680600 Nut Crownlock 3/8-16 Unc
41	532133551 Rod Pivot W/nibs

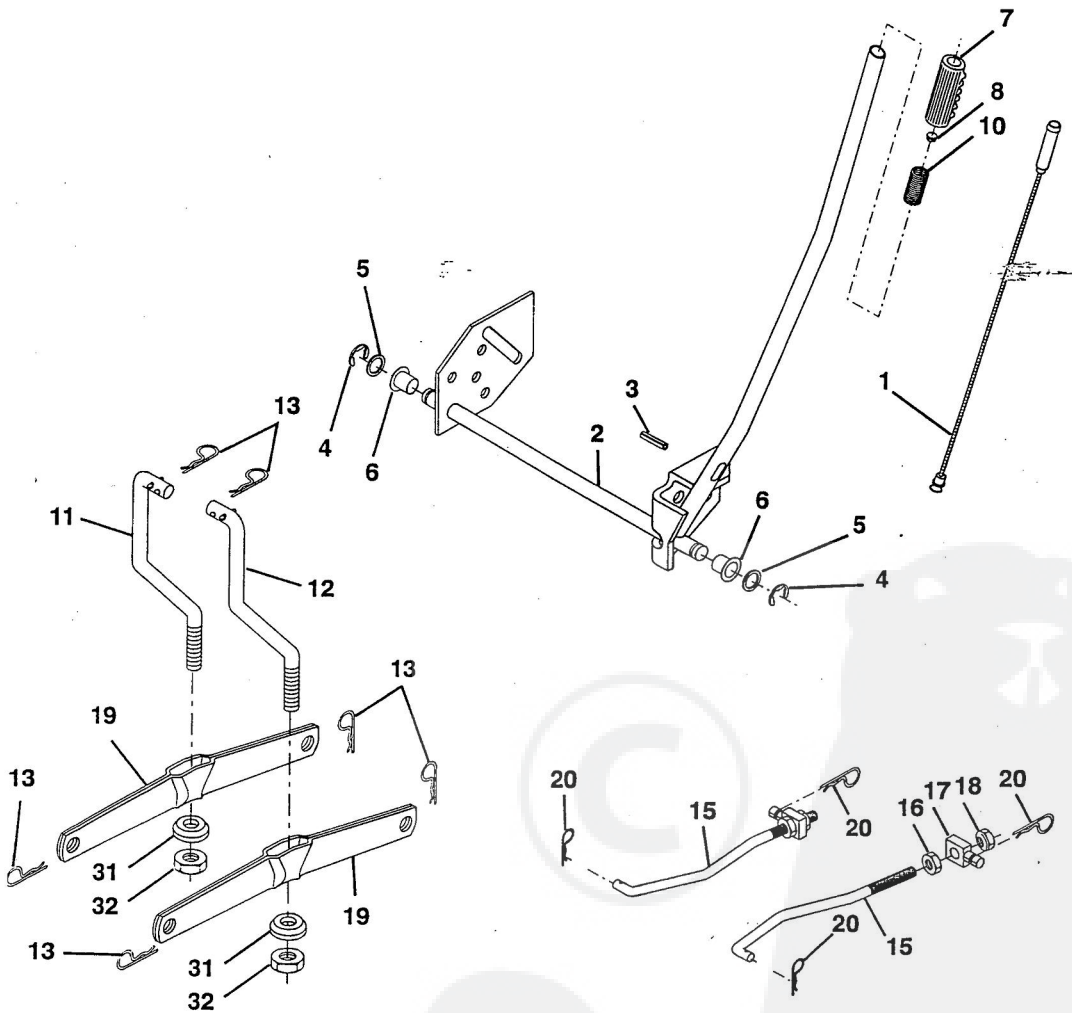
KEY PART NO. NO.

KEY PART NO. NO.	DESCRIPTION
43	532140083 Rod Clutch Secondary W/nibs
44	532140088 Guard Mandrel LH Black
45	532124788 Spring Retainer 1" Zinc/cad
46	532137729 Screw Hex Thd Cut 1/4-20x5/8 T
48	532133944 Washer Hardened Smaller
49	532133940 Roller Asm Cam Follower 42" dec
50	532131340 Bolt Shldr 10-24 Zinc Gr 5 42"
51	532069180 Nut Lock #10-24 L
52	532139888 Bolt Shoulder 5/16-18 Unc Blkz
53	532131845 Arm Asm Pad Brake
54	532133943 Washer Hardened
55	532140084 Arm Idler 42" mower LT/YT
56	532122052 Spacer Retainer Pm Mower
58	532140086 Spring Torsion Brakes 42" T-Path
59	532141043 Guard Tuv Idler 94
67	532106932 Knob Rd 3/8-16 Plstc Thds Blk
68	532144200 V-Belt-Mower 42" 92 40
71	532142427 Rod Clutch Primary 38/42
72	532131870 Spring Return
73	532127847 Arm Clutch Secondary
74	532121748 Washer 25/32 X 1-5/8 X 16 Ga
75	812000029 Ring Klip #15304-75
76	532128903 Bolt Shoulder 3/8-16 Unc 1 44
77	532127845 Keeper Spring 4 000
78	532140334 Arm Asm Clutch Primary
79	532127498 Bushing 747 Od X 794 Lg Brass
80	532128759 Spring Clutch Mower 2 750 Zinc
81	873350600 Nut Hex Jam 3/8-16 UNC
82	532142028 Trunnion Adj 94
83	532120958 Washer Sintered
84	532144394 Belt Keeper Idler Fixed
85	872140620 Bolt Carriage 3/8-16 x 2-1/2 Gr 5
92	873800600 Nut Lock Hex w/Ins 3/8-16 Unc
--	532144783 Deck Serv 42" HL Mech
--	532130794 Mandrel Asm Service (Includes Key Nos. 8-10, 12-15, 31 and 33)

NOTE: All component dimensions given in U.S. inches
1 inch = 25.4 mm

REPAIR PARTS

12.5 HP 42" TRACTOR - - MODEL NO. BL12542LTB, PRODUCT NO. 954 00 25-11
MOWER LIFT



REPAIR PARTS

12.5 HP 42" TRACTOR -- MODEL NO. BL12542LTB, PRODUCT NO. 954 00 25-11

MOWER LIFT

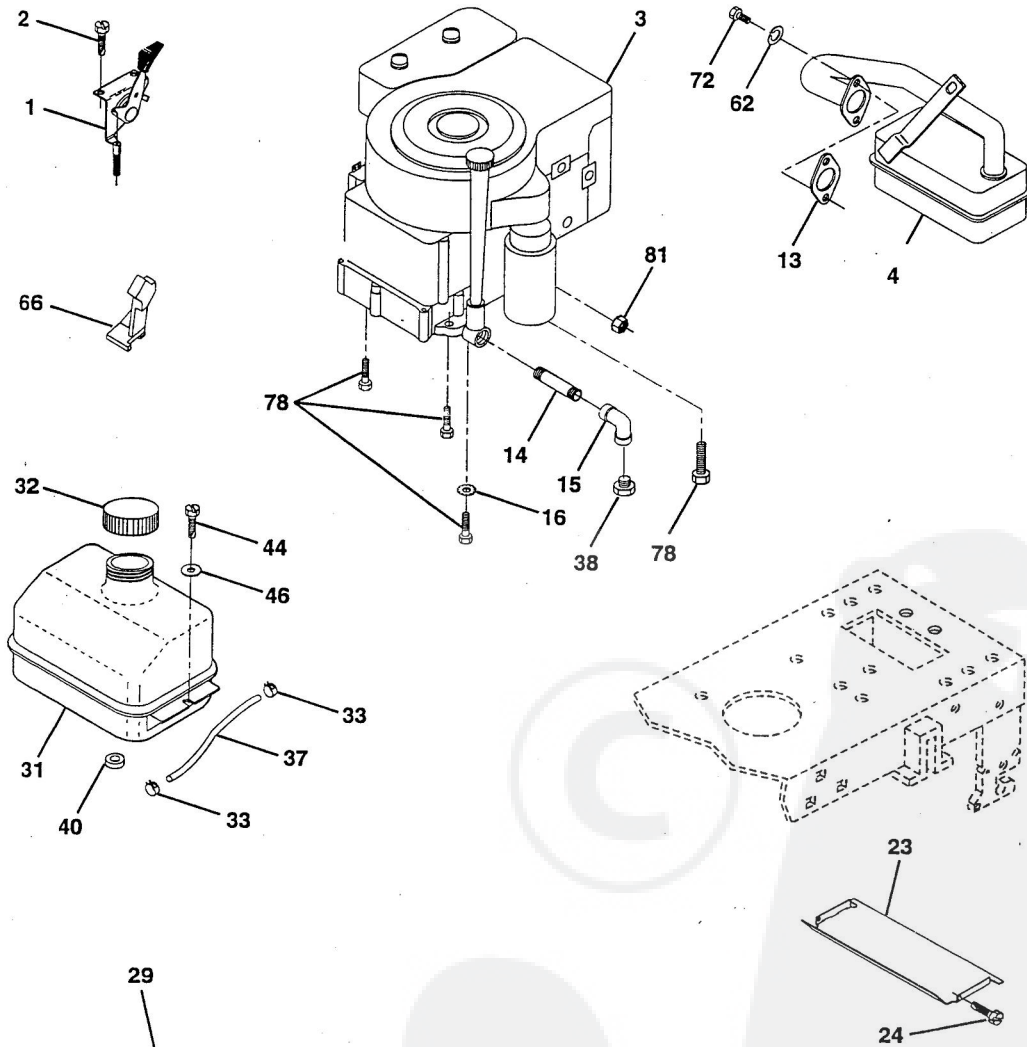
KEY NO.	PART NO.	DESCRIPTION
1	532136973	Wire Asm Inner W/Plunger
2	532122507	Shaft Asm Lift 9 680
3	532105767	Pin Groove 1 500 Zinc
4	812000002	E Ring #5133-62
5	819211621	Washer PLTD 21/32 X 1 X 21ga
6	532120183	Bearing Nylon Blk 629 Id
7	532109413	Grip Handle Bicycle Matte Blk
8	532124526	Button Plunger Black
10	532122512	Spring Cprsn 3 750 Oiled
11	532139865	Link Lift LH Mower
12	532139866	Link Lift RH Mower
13	532124670	Retainer Spring
15	532127218	Link Front
16	873350800	Nut Jam Hex 1/2-13 Unc
17	532130171	Trunnion Blk Zinc
18	873800800	Nut Lock W/wsh 1/2-13unc
19	532139868	Arm Suspension Rear
20	532124660	Retainer Spring
31	532140302	Bearing Pvt. Lift Spherical
32	873810600	Nut Lock 3/8-24 w/Nylon Insert

NOTE: All component dimensions given in U.S. inches
1 inch = 25.4 mm



REPAIR PARTS

12.5 HP 42" TRACTOR -- MODEL NO. BL12542LTB, PRODUCT NO. 954 00 25-11
ENGINE



OPTIONAL EQUIPMENT
Spark Arrester

REPAIR PARTS

12.5 HP 42" TRACTOR -- MODEL NO. BL12542LTB, PRODUCT NO. 954 00 25-11
ENGINE

KEY NO.	PART NO.	DESCRIPTION
1	532132623	Control Th/ch RH Blk Tee Eec
2	817720410	Screw Hex Thd Cut 1/4-20x5/8 T
3	-----	Engine B&S 12 5HP IC Dual 1vt Model No. 286707
4	532137348	Muffler LT B&S 12/12 5 HP
13	532125593	Gasket Eng 1 313 Id Tin Plated
14	813280324	Nipple Pipe 3/8 Npt X 3"
15	813200300	Elbow Std 90 Degree 3/8-18 Npt
16	811050600	Washer Lock Ext Tooth 3/8
23	532128953	Shield Heat Browning LT/YT
24	817021008	Screw Tap Hex #10-24 UNC X 1/2
29	532137180	Kit Spark Arrestor
31	532109202	Tank Fuel Front 1 25
32	532140527	Cap Asm Fuel Top Vent N/Lany
33	532123487	CLAMP Hose Blk
40	532124028	Bushing Snap Nyl Blk Fuel Line
44	817490412	Screw Hexwsh Thdrol 1/4-20x3/4
46	819091416	Washer 9/32 X 7/8 X 16 Ga.
37	532137040	Line Fuel 20" Front Fuel Tank
38	-----	Plug Oil Drain (Order From Engine Manufacturer)
62	810040500	Washer Lock Hvy Hlcl Spr 5/16
66	532127951	Stop Throt 3000 Rpm
72	871070512	Screw Hexhd Cap 5/16-18x3/4
78	817490620	Screw Thdrol 3/8-16x1-1/4 TYTT
81	873510400	Nut Keps Hex 1/4-20 Unc

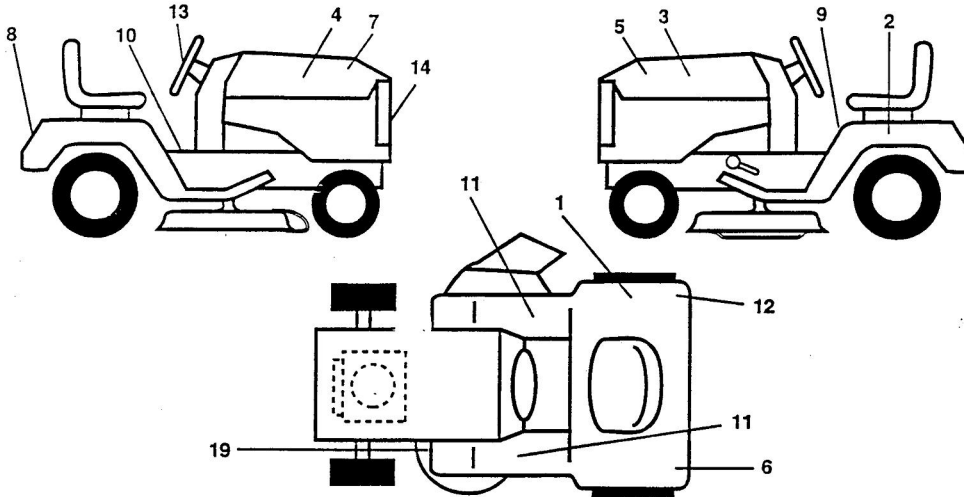
NOTE: All component dimensions given in U.S. inches
1 inch = 25.4 mm



REPAIR PARTS

12.5 HP 42" TRACTOR -- MODEL NO. BL12542LTB, PRODUCT NO. 954 00 25-11

DECALS



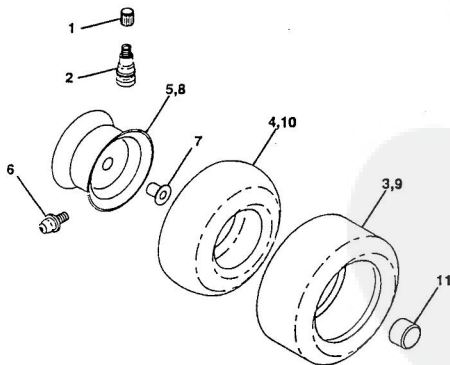
KEY PART NO.

KEY NO.	PART NO.	DESCRIPTION
1	532145437	Decal Europe Stand CE
2	532121549	Decal Caution Battery Fr/ger
3	532125934	Decal Hood Bernard LH
4	532125935	Decal Hood Bernard RH
5	532138367	Decal Side Panel LH
6	532145573	Decal Conformance 95 BL12542LT
7	532138366	Decal Side Panel RH
8	532125819	Decal Fender Bernard
9	532145498	Decal Read Owners Manual Sym
10	532140837	Decal Saddle Brake Parking
11	532131864	Pad Footrest Abrasive

KEY PART NO.

KEY NO.	PART NO.	DESCRIPTION
12	532125690	Decal 100 Dba
13	532125835	Decal Strg Wheel Cap Berd/lois
14	532131265	Decal Lightbox Grille Sloped
19	532136832	Decal, V-Belt Sch
--	532138311	Decal Lift Handle (Lift Handle)
--	532145279	Manual Inst BL12542LTB Fr
--	532146157	Manual Oper Gen Lt 42" CE E/F
Available accessories (not included with your tractor):		
--	CE42	Bagger 42"
--	LBD48	48" Snow Blade
--	LC05	33 lb. Wheel Wts (Pair)
--	LSB42	40" Snow Thrower
--	CH12	Tire Chains
--	MK420	Mulching Kit w/Blades

WHEELS & TIRES



KEY PART NO.

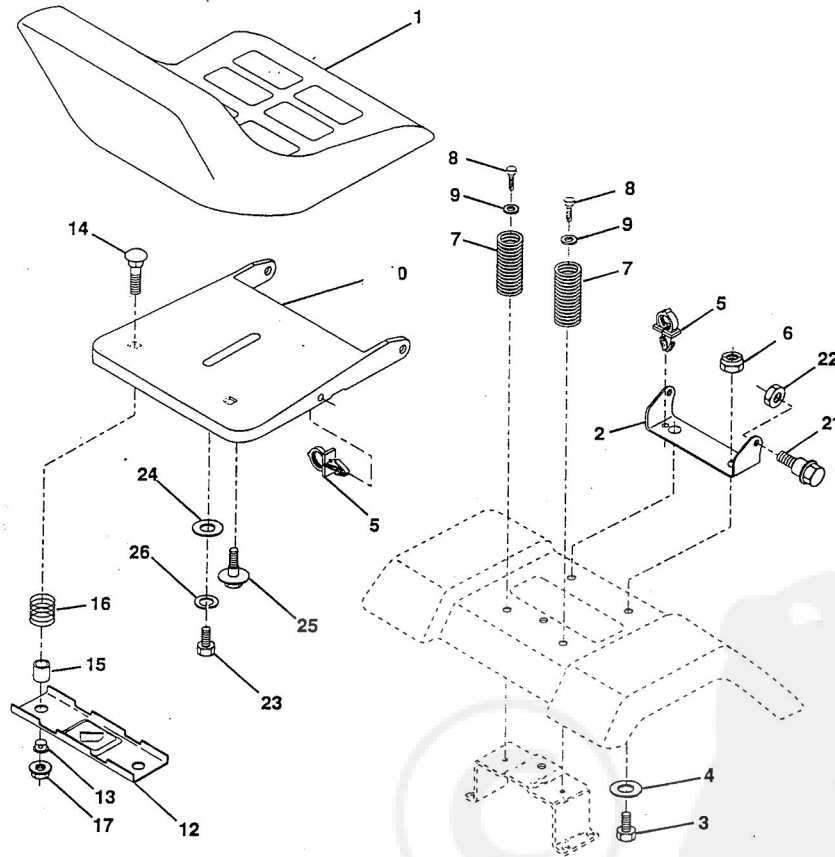
KEY NO.	PART NO.	DESCRIPTION
1	532059192	Cap Valve Tire
2	532065139	Stem Valve
3	532106222	Tire F Ts 15 X 6 0 - 6 Service
4	532059904	Tube Front (Service Item Only)
5	532125121	Rim Asm 6" front Yellow Service
6	532124957	Fitting Grease (Front Wheel Only)
7	532124959	Bearing Flange (Front Wheel Only)
8	532125122	Rim Asm 8" rear Yellow Service
9	532124635	Tire R Ts 18 x 8.5-8 C Service
10	532124926	Tube Rear (Service Item Only)
11	532104757	Cap Axle Blk 1 50 X 1 00

NOTE: All component dimensions given in U.S. inches
1 inch = 25.4 mm

REPAIR PARTS

2.5 HP 42" TRACTOR -- MODEL NO. BL12542LTB, PRODUCT NO. 954 00 25-11

SEAT ASSEMBLY



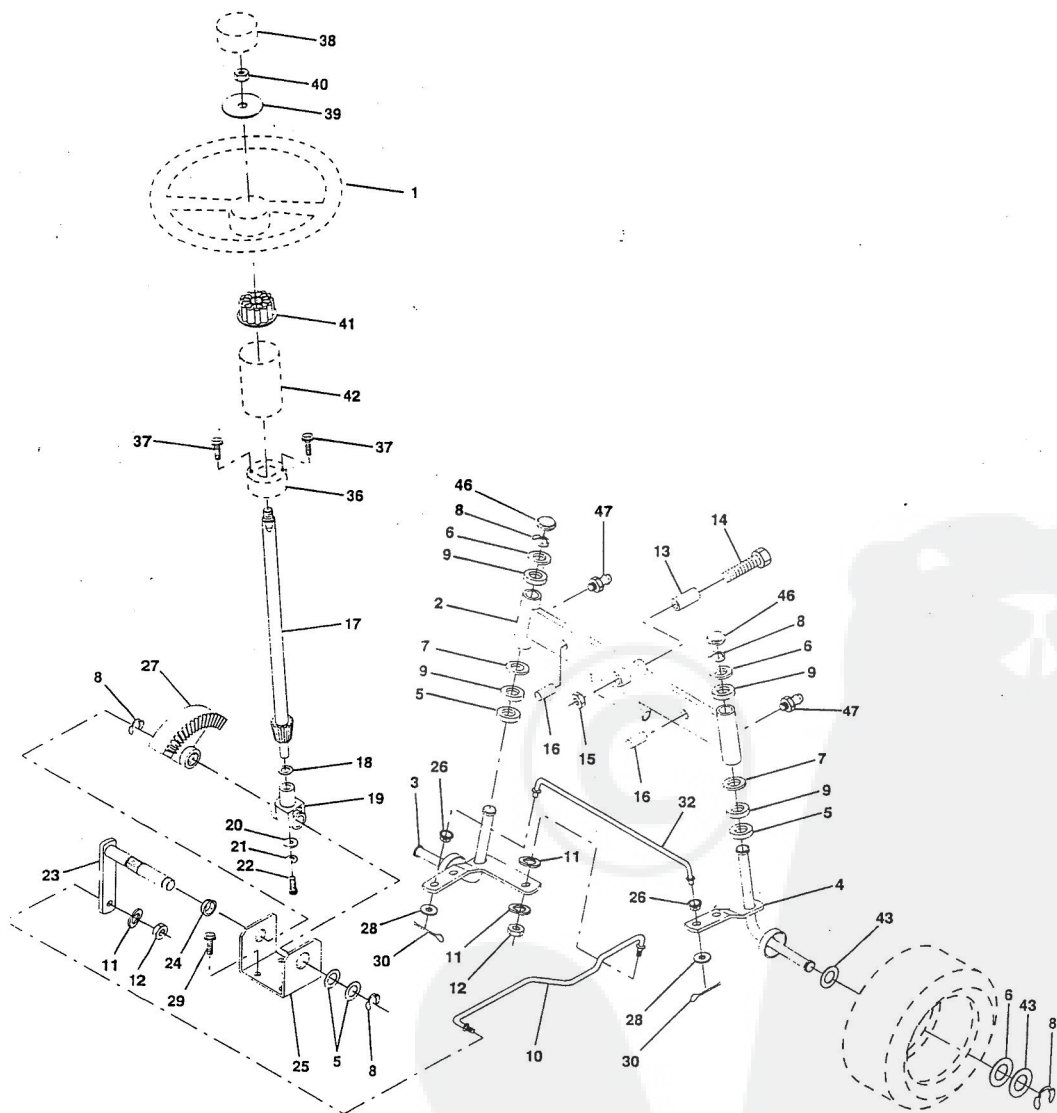
KEY NO.	PART NO.	DESCRIPTION
	532127427	Seat V350 Blk/blk Std
	532140551	Bracket Pivot Seat 8 720
3	874760616	Bolt Fin Hex 3/8-16unc X 1
	819131610	Washer 13/32 X 1 X 10 Ga.
	532145006	Clip Push-In Hinged
	873800600	Nut Lock Hex w/ins 3/8-16 Unc
7	532124181	Spring Seat Cprsn 2 250 Blk Zi
	817490616	Screw Thdrol 3/8-16 X 1 Ty-It
	819131614	Washer 13/32 X 1 X 14 Ga.
	532140552	Pan Seat
12	532121246	Bracket Mounting Switch
	532121248	Bushing Snap Blk Nyl 50 Id

KEY NO.	PART NO.	DESCRIPTION
14	872050411	Bolt Rdhd Sht Nk 1/4-20x1-3/8
15	532134300	Spacer Split 28x 96 Yel Zinc
16	532121250	Spring Cprsn 1 27 Blk Pnt
17	532123976	Nut Lock 1/4 Lge Flg Gr 5 Zinc
21	532139888	Bolt Shoulder 5/16-18 Unc Blkz
23	874780814	Bjolt Fin Hex 1/2 - 13 x 7/8 Fr. 5
22	873800500	Nut Lock Hex w/ins 5/16-18
24	819171912	Washer 17/32 X 1-3/16 X 12 Ga.
25	532127018	Bolt Shoulder 5/16-18 X 62
26	810040800	Washer Lock Hvy HLCLSPR 1/2

NOTE: All component dimensions given in U.S. inches.
1 inch = 25.4 mm

REPAIR PARTS

12.5 HP 42" TRACTOR - - MODEL NO. BL12542LTB, PRODUCT NO. 954 00 25-11
STEERING ASSEMBLY



REPAIR PARTS

12.5 HP 42" TRACTOR -- MODEL NO. BL12542LTB, PRODUCT NO. 954 00 25-11

STEERING ASSEMBLY

KEY NO.	PART NO.	DESCRIPTION
1	532133741	Wheel Steering Ayp/kelch Blk
2	532142033	Axle Asm Fr
3	532135227	Spindle Asm LH
4	532135228	Spindle Asm RH
5	532124931	Bearing Race Thrust Harden
6	532121748	Washer 25/32 X 1-5/8 X 16 Ga
7	819272016	Washer 27/32 X 1-1/4 X 16 Ga
8	812000029	Ring Klip # 74-75
9	532124937	Bearing Col Strg Blk
10	532130468	Link Drag Sol Ball Jt 20 064
11	810040600	Washer Lock Hvy Hlcl Spr 3/8
12	873610600	Nut Fin Hex 3/8-24 Unf
13	532110438	Spacer Bearing Axle Front
14	874011056	Bolt Hex 5/8-11 Unc X 3-1/2
15	873901000	Nut Lock Flange 5/8-11 Unc
16	532132624	Pin Axle 5/8 X 1 55/1 54 Lg
17	532132614	Shaft Asm Strg 5/8 X 15 19 LT
18	532057079	Washer Thrust 515x 750x 033
19	532124035	Support Shaft
20	532126684	Washer Shim 1/4 X 5/8 X 062
21	810040400	Washer Lock Hvy Helical 1/4
22	871070410	Screw Hex Socket 1/4-20 X 5/8
23	532127501	Shaft Asm Pittman
24	532109816	Nyliner Snap In
25	532124036	Bracket Steering
26	532126847	Bushing Link Drag Blk LR
27	532136874	Gear Sector
28	819131416	Washer 13/32 X 7/8 X 16 Ga
29	817490612	Screw Thdrol 3/8-16x3/4 Ty-tt
30	876020412	Pin Cotter 1/8 X 3/4 Cad
32	532130465	Rod Tie Wire Form 19 75 Mech
36	532132196	Bushing Strg 5/8 Id Dash
37	817431008	Screw Siftp #10-16 X 1/2 Ty-b
38	532133742	Cap Wheel Steer Ayp/kelch Blk
39	819133808	Washer 13/32 X 2-3/8 X 8 Ga
40	532124701	Nut Lock Center 3/8-24unf
41	532104820	Adaptor Wheel Strg 640/ 635id
42	532124418	Boot Shaft Steering Blk
43	532121749	Washer 25/32 X 1 1/4 X 16 Ga
46	532121232	Cap Spindle Fr Top Blk
47	532124836	Fitting Grease

NOTE: All component dimensions given in U.S. inches.
1 inch = 25.4 mm.

