

REPAIR PARTS MANUAL
MODEL NO. 256990
Lawn Tractor

LT2000

CRAFTSMAN®

412941 02.20.07 CL
PRINTED IN U.S.A.

HOW TO USE THIS MANUAL

This manual is designed to provide the customer with a means to identify the parts on his/her tractor when ordering repair parts. The illustrations may or may not represent the actual assemblies; therefore, it is not recommended to use this manual as a guide to assemble or disassemble the tractor. Some hardware and parts are drawn larger in order to more readily identify them.

Each tractor has its own model number.

The model number for your tractor can be found on the fender under the seat.

When ordering parts, always give the following information:

- Product - "Tractor"
- Model Number - "256990"
- Part Number
- Part Description

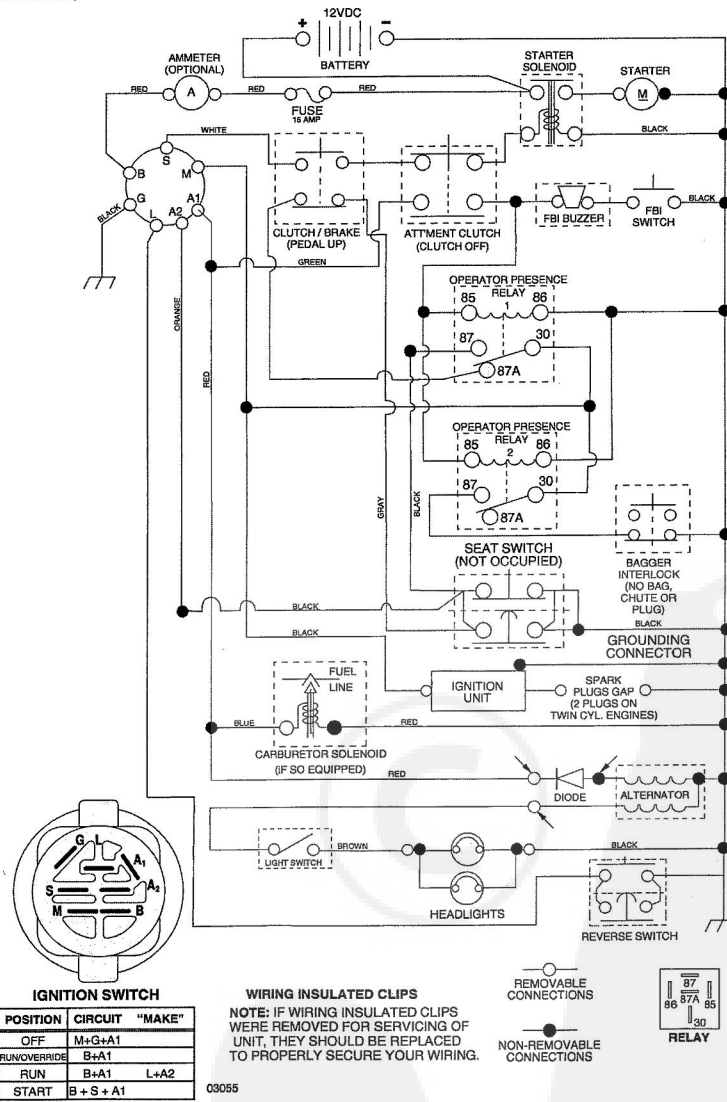
TABLE OF CONTENTS

| | |
|-----------------------|-------|
| SCHEMATIC | 3 |
| ELECTRICAL..... | 4-5 |
| CHASSIS | 6-7 |
| DRIVE..... | 8-9 |
| STEERING..... | 10-11 |
| SEAT | 12 |
| DECALS..... | 13 |
| ENGINE..... | 14-15 |
| MOWER LIFT..... | 16-17 |
| MOWER DECK..... | 18-19 |
| BAGGER..... | 20-21 |
| TRANSAXLE..... | 22-23 |
| ENGINE BREAKDOWN..... | 24-27 |
| WARRANTY..... | 28 |

TRACTOR - MODEL NO. 917.256990

SCHEMATIC

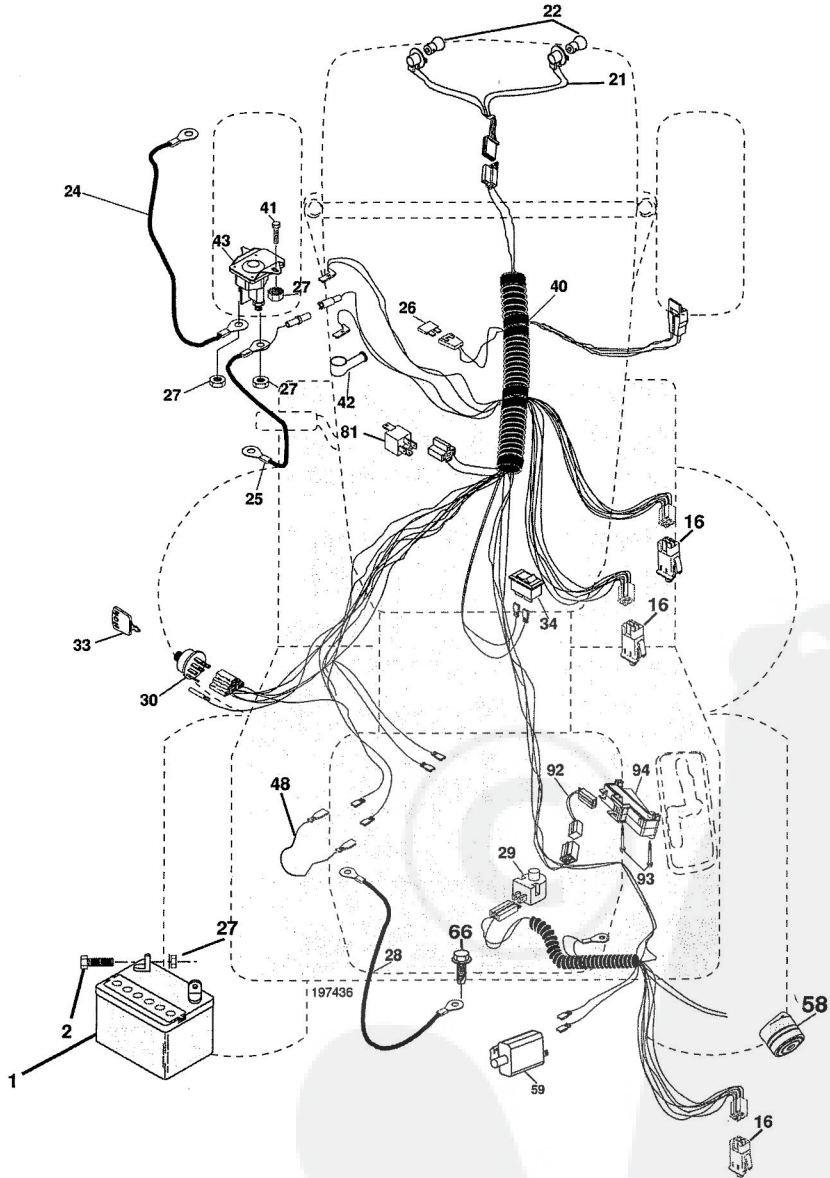
03055_197436 (WITH LIGHTS)



REPAIR PARTS

TRACTOR--MODEL NO. 917.256990

ELECTRICAL



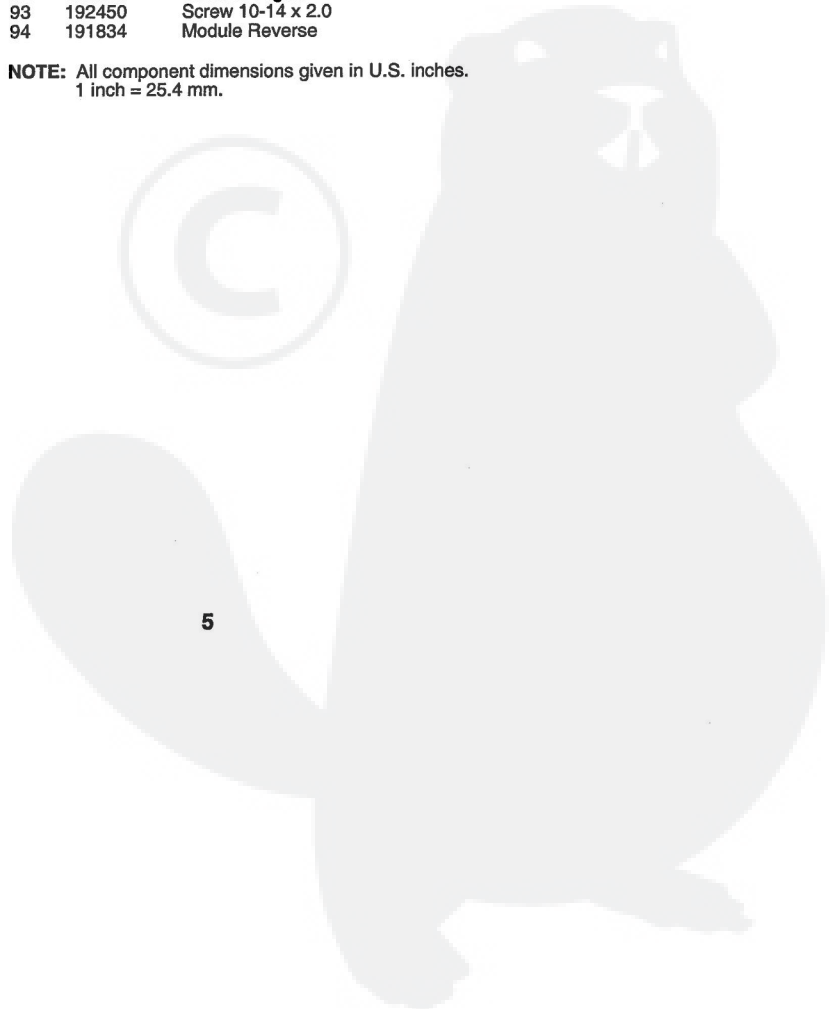
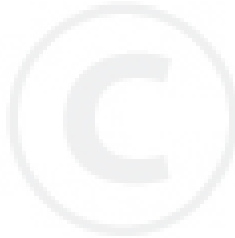
REPAIR PARTS

TRACTOR- -MODEL NO. 917.256990

ELECTRICAL

| KEY NO. | PART NO. | DESCRIPTION |
|---------|-----------|-----------------------------------|
| 1 | 163465 | Battery |
| 2 | 74760412 | Bolt Hex Hd 1/4-20 unc x 3/4 |
| 16 | 176138 | Switch Interlock Push-In |
| 21 | 183759 | Harness Asm Light W/4152J |
| 22 | 4152J | Bulb Light #1156 |
| 24 | 4799J | Cable Starter 6 Ga. 11" Red |
| 25 | 165987 | Cable Battery Crd 56" Red |
| 26 | 175158 | Fuse |
| 27 | STD541425 | Nut Keps Hex 1/4-20 unc |
| 28 | 127725X | Cable Ground 6 Ga. 18" Black |
| 29 | 192749 | Switch Seat |
| 30 | 193350 | Switch Ignition |
| 33 | 140403 | Key Ign Molded |
| 34 | 110712X | Switch Light |
| 40 | 197436 | Harness Ign |
| 41 | 71110408 | Bolt Flk Fin Hex 1/4-20 unc x 1/2 |
| 42 | 131563 | Cover Terminal Red |
| 43 | 192507 | Solenoid |
| 48 | 140844 | Adapter Ammeter |
| 58 | 169419 | Buzzer Crd |
| 59 | 180379 | Switch FBI CRD |
| 66 | 17490608 | Screw Thdrol 3/8-16 x 1/2 Ty-Tt |
| 81 | 109748X | Relay Asm |
| 92 | 196615 | Harness Pigtail |
| 93 | 192450 | Screw 10-14 x 2.0 |
| 94 | 191834 | Module Reverse |

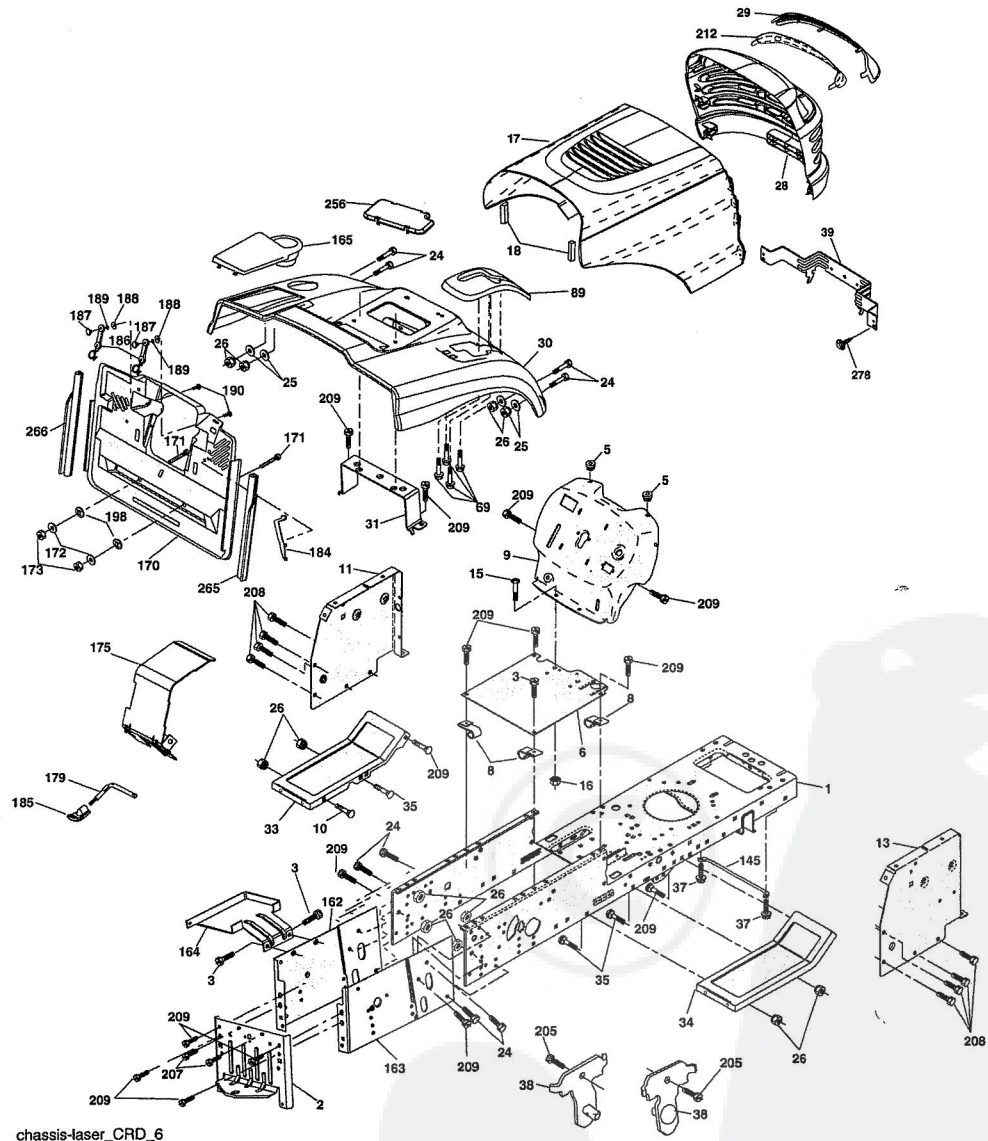
NOTE: All component dimensions given in U.S. inches.
1 inch = 25.4 mm.



REPAIR PARTS

TRACTOR- -MODEL NO. 917.256990

CHASSIS AND ENCLOSURES



chassis-laser_CRD_6

REPAIR PARTS

TRACTOR- -MODEL NO. 917.256990

CHASSIS AND ENCLOSURES

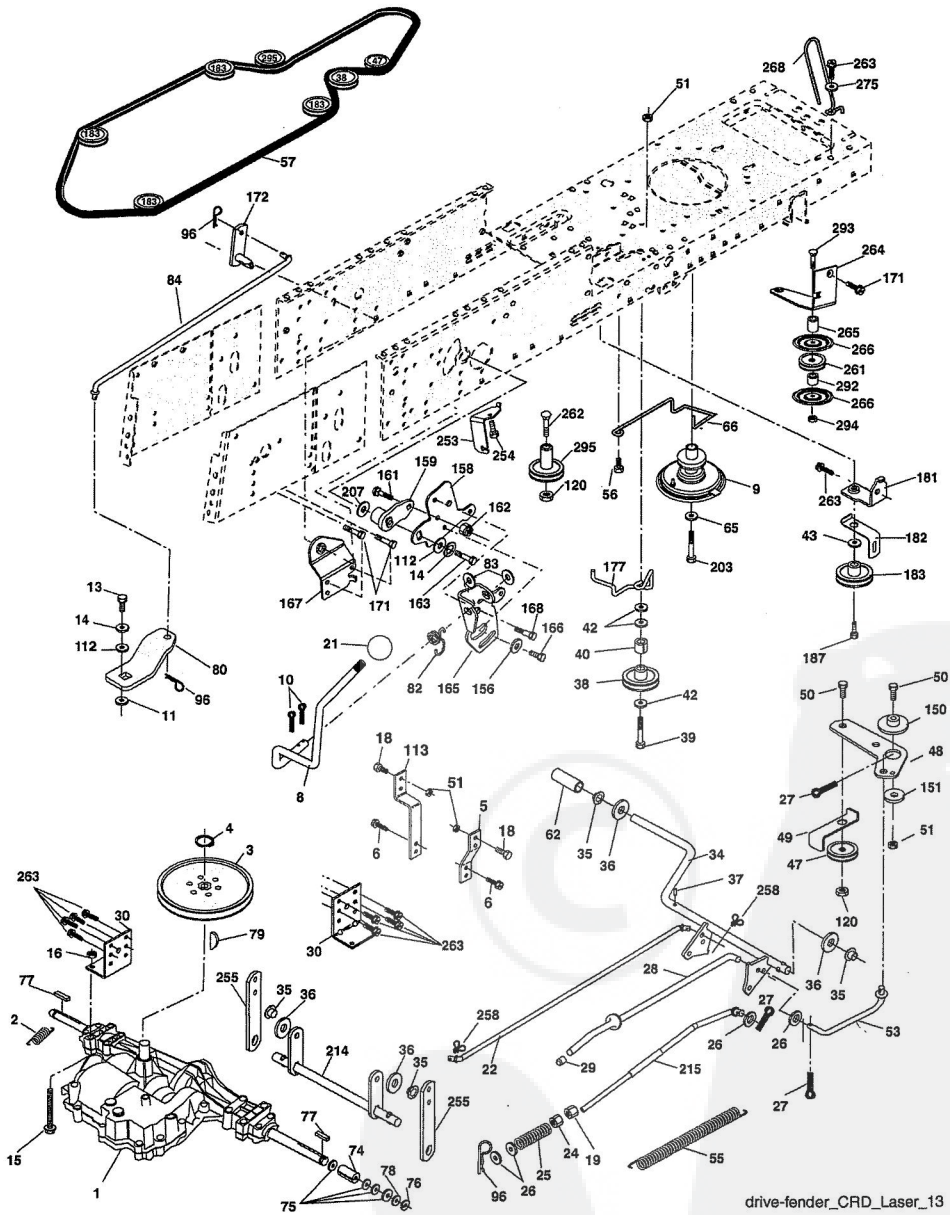
| KEY NO. | PART NO. | DESCRIPTION | KEY NO. | PART NO. | DESCRIPTION |
|---------|------------|---|---------|------------|--------------------------------|
| 1 | 174620 | Chassis Assembly | 162 | 180382 | Bracket Exten Chassis Lh CRD |
| 2 | 180384 | Drawbar | 163 | 180383 | Bracket Exten Chassis Rh CRD |
| 3 | 17060612 | Screw 3/8-16 x .75 | 164 | 165605 | Support Battery CRD |
| 5 | 155272 | Bumper Hood/Dash | 165 | 179020X428 | Cover Battery CRD Lt |
| 6 | 184419 | Saddle | 170 | 199488 | Backplate Asm CRD |
| 8 | 126471X | Clip Insulator 13/32 Mtg. Hole | 171 | 72140620 | Bolt Rdhd Sqnk 3/8-16 x 2-1/2 |
| 9 | 193518X012 | Dash Silscr | 172 | 19132016 | Washer 13/32 x 1-1/4 x 16 Ga. |
| 10 | STD533710 | Bolt, Carriage 3/8-16 x 1 | 173 | STD541437 | Nut, Keps Hex 3/8-16 unc |
| 11 | 174996 | Panel, Dash, L.H. | 175 | 188203 | Door Trap |
| 13 | 172105X010 | Panel, Asm. Dash R.H. | 179 | 188202 | Rod Pivot FBI CRD |
| 15 | 74180512 | Screw, Machine, Truss Head 5/16-18 unc x 3/4 | 184 | 174662 | Bracket Actuator Bagger CRD |
| 16 | STD541431 | Nut Keps 5/16-18 unc | 185 | 179608X505 | Knob Rod Brake Parking |
| 17 | 185682X613 | Hood Assembly | 186 | 160793 | Latch Asm Mulch/Bagger |
| 18 | 184921 | Bumper Hood | 187 | 2029J | Nut Weld .327/.304 #10-24 |
| 24 | STD523710 | Bolt Fin Hex 3/8-16 unc x 1. Gr. 5 | 188 | 19061216 | Washer #10 |
| 25 | 19131312 | Washer 13/32 x 13/16 x 12 Ga. | 189 | STD551110 | Washer Lock #10 |
| 26 | STD541437 | Nut Lock Hex w/lms 3/8-16 unc | 190 | 71081010 | Screw Pan Hd Phillips 10-24 |
| 28 | 193258 | Grille/Lens Asm (Includes key #'s 29 and 212) | 198 | 168937 | Nut, Push |
| 29 | 174332X599 | Lens, Grille | 205 | 17490608 | Screw Thdrol 5/8-16 x 1/2 |
| 30 | 192533X613 | Fender | 207 | 17670508 | Screw Thdrol 5/16-18 x 1/2 |
| 31 | 165156 | Bracket, Fender Support | 208 | 17670608 | Screw Thdrol 3/8-16 x 1/2 TYT |
| 33 | 179716X613 | Footrest, L.H. | 209 | 17000612 | Screw Hex Wsh Thdrol 3/8-16 |
| 34 | 179717X613 | Footrest, R.H. | 212 | 175143 | Insert Lens Reflective |
| 35 | STD533107 | Bolt RDHD SHT SQNK 3/8-16 x 3/4 | 256 | 180810X428 | Cover Fender Rack |
| 37 | 17490508 | Screw Thdrol 5/16-18 x 1/2 TYT | 265 | 185704 | Seal Side RH |
| 38 | 181748 | Pivot Bracket Assembly | 266 | 185703 | Seal Side LH |
| 39 | 407807 | Bracket Pivot | 278 | 191611 | Screw 10 x 3/4 Single-Lead Hex |
| 69 | 142432 | Screw Hex 1/4-1/2 unc | -- | 5479J | Plug, Button |
| 89 | 192392X428 | Console | | | |
| 145 | 409167 | Rod Pivot Chassis/Hood | | | |

NOTE: All component dimensions given in U.S. inches.
1 inch = 25.4 mm.

REPAIR PARTS

TRACTOR- -MODEL NO. 917.256990

DRIVE



drive-fender_CRD_Laser_13

REPAIR PARTS

TRACTOR- -MODEL NO. 917.256990

DRIVE

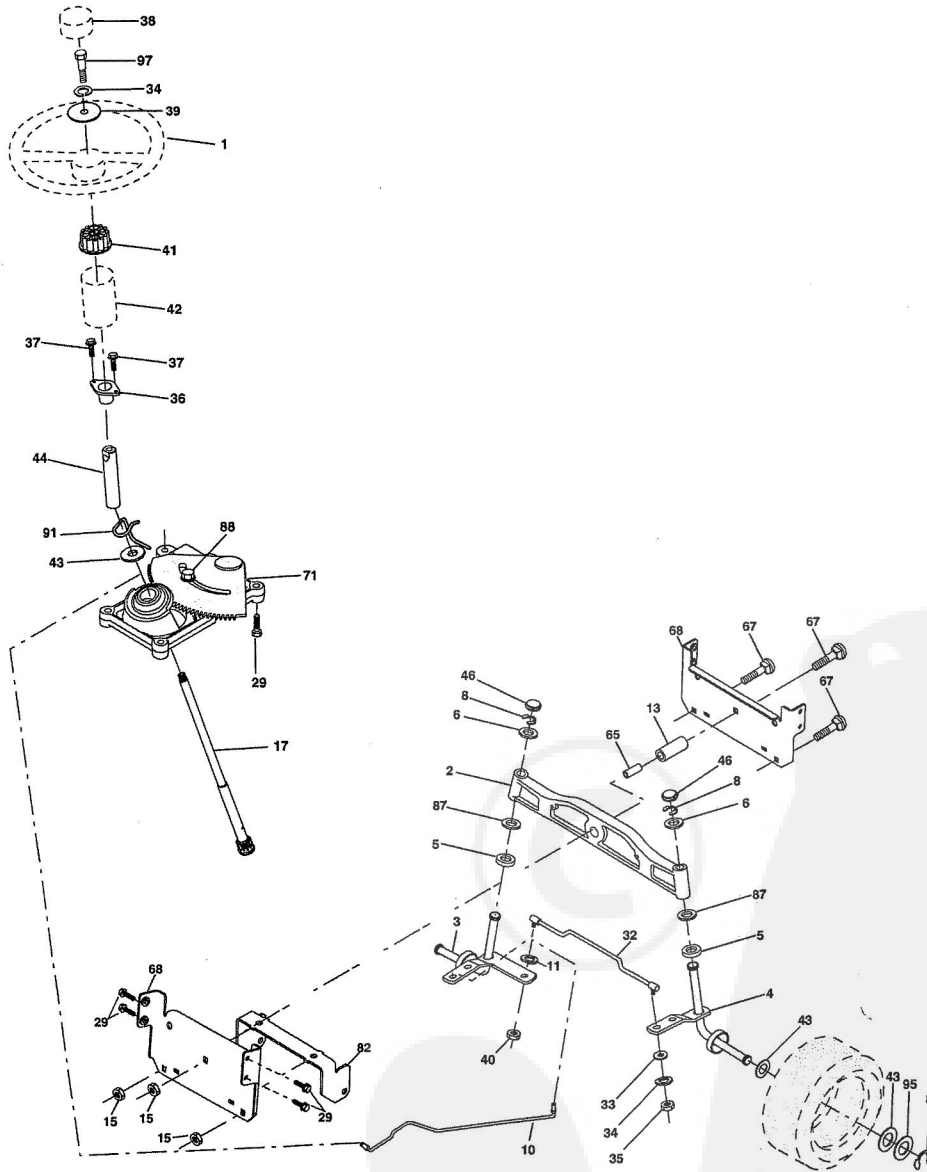
| KEY NO. | PART NO. | DESCRIPTION | KEY NO. | PART NO. | DESCRIPTION |
|---------|----------|---|---------|----------|-----------------------------------|
| 1 | ----- | Transaxle Peerless 206-546 (Order parts from transaxle manufacturer) | 77 | 123583X | Key, Square |
| 2 | 146682 | Spring Brake Return | 78 | 121748X | Washer 25/32 x 1-5/8 x 16 Ga. |
| 3 | 165999 | Pulley Transaxle | 79 | 2228M | Key Woodruff |
| 4 | 12000028 | Ring Retainer #5100-62 | 80 | 145090 | Arm Shift PMST 20" Tires |
| 5 | 121520X | Strap torque 30 degrees | 82 | 165711 | Spring, Torsion |
| 6 | 17060512 | Screw 5/16-18 x 3/4 | 83 | 19171216 | Washer 17/32 x 3/4 x 16 Ga. |
| 8 | 192706 | Rod Shift | 84 | 165620 | Link Shift |
| 9 | 408579 | Clutch Noram | 96 | 4497H | Spring, Retainer 1" |
| 10 | 76020416 | Pin, Cotter 1/8 x 1 | 112 | 19091210 | Washer 9/32 x 3/4 x 10 Ga. |
| 11 | 105701X | Washer Plate Shf .3888 sq hole | 113 | 127285X | Strap Torque |
| 13 | 74550412 | Bolt 1/4-28 Unf Gr. 8 w/patch | 120 | 73900600 | Nut Lock Fig. 3/8-16 unc |
| 14 | 10040400 | Washer, Lock Hvy Helical | 150 | 165850 | Bushing, Bellcrank Grnd Dr |
| 15 | 74490544 | Bolt Hex Flghd 5/16-18 Gr. 5 | 151 | 19133210 | Washer 13/32 x 2 x 10 Ga. |
| 16 | 73800500 | Nut, Lock Hex w/lms 5/16-18 unc | 156 | 166002 | Washer Srrd 5/16 ID x 1.125 |
| 18 | 74780616 | Bolt Hex 3/8-16 unc x 1 Gr. 5 | 158 | 165589 | Bracket Shift Mount |
| 19 | 73800600 | Nut, Lock Hex w/Wsh 3/8-16 unc | 159 | 183900 | Hub Shift |
| 21 | 106933X | Knob Duckhead | 161 | 72140406 | Bolt Rdhd Sqnk 1/4-20 x 3/4 Gr 5 |
| 22 | 175607 | Rod, Brake CRD | 162 | 73680400 | Nut Crownlock 1/4-20 unc |
| 24 | 73350600 | Nut | 163 | 74780416 | Bolt Hex Fin 1/4-20 unc x 1 Gr 5 |
| 25 | 106888X | Spring, Rod, Brake | 165 | 165623 | Bracket Pivot Lever |
| 26 | 19131316 | Washer 13/32 x 13/16 x 16 Ga. | 166 | 17490510 | Screw 5/16-18 x 5/8 |
| 27 | 76020412 | Pin, Cotter 1/8 x 3/4 | 167 | 165588 | Bracket Support Shift CRD |
| 28 | 175765 | Rod, Parking Brake | 168 | 165492 | Bolt Shoulder 5/16-18 x .561 |
| 29 | 71673 | Cap Brake Parking | 171 | 17490608 | Screw Thdrol 3/8-16 x 1/2 Ty-Tt |
| 30 | 169592 | Bracket, Mfg. Transaxle | 172 | 165635 | Shaft Asm Shift Front CRD PMST |
| 34 | 175578 | Shaft, Asm Pedal Foot | 177 | 165932 | Keeper Flat Idler 3.06" CRD |
| 35 | 120183 | Bearing, Nylon | 181 | 180211 | Bracket Idler Ground Drive CRD |
| 36 | 19211616 | Washer 21/32 x 1 x 16 Ga. | 182 | 182682 | Keeper Belt 2.5" Od V-Idler CRD |
| 37 | 1572H | Pin, Roll 3/16 x 1" | 183 | 199532 | Pulley V-Idler |
| 38 | 165936 | Pulley, Flat | 187 | 17580520 | Screw 5/16-18 x 1.25 |
| 39 | 74760644 | Bolt Fin Hex 3/8-16 unc x 2-3/4 | 203 | 71170780 | Bolt Hex 7/16-20 x 5 |
| 40 | 4470J | Spacer, Split 395 x 59 Bzp | 207 | 169845 | Washer Nylon Rear |
| 42 | 19131312 | Washer 13/32 x 13/16 x 12 Ga. | 214 | 175609 | Shaft Asm Blade |
| 43 | 19111012 | Washer 11/32 x 5/8 x 12 Ga. | 215 | 410142 | Rod Brake Secondary |
| 47 | 127783 | Pulley, Idler, V Groove Plasic | 253 | 175028 | Bracket Cable Chassis |
| 48 | 154407 | Bellcrank Clutch Grnd Drv | 254 | 17000616 | Screw 3/8-16 x 1 |
| 49 | 123205X | Retainer, Belt Style Spring | 255 | 175608 | Brace Shaft Brake Mtg. |
| 50 | 72110612 | Bolt 3/8-16 unc x 1-1/2 | 258 | 178062 | Clip Retainer |
| 51 | 73680600 | Nut, Crownlock 3/8-16 unc | 261 | 131494 | Pulley Idler |
| 53 | 199652 | Link, Clutch 7.66 | 262 | 72110622 | Bolt RDHD 3/8-16 unc x 2-3/4 Gr.5 |
| 55 | 105709X | Spring, Return, Clutch | 263 | 17000612 | Screw 3/8-16 x 3/4 |
| 56 | 17060620 | Screw 3/8-16 x 1-1/4 | 264 | 197608 | Bracket Clutch Mtg. |
| 57 | 165631 | V-Belt Kev PMST CRD | 265 | 404607 | Spacer Idler Chassis |
| 62 | 8883R | Cover, Pedal | 266 | 182061 | Shield Idler Mower |
| 65 | 10040700 | Washer | 268 | 182402 | Guard Muffler |
| 66 | 154778 | Keeper, Belt Engine F-Proof | 275 | 19131614 | Washer 13/32 x 1 x 14 |
| 74 | 137057 | Spacer Axle | 292 | 400271 | Spacer |
| 75 | 121749X | Washer 25/32 x 1-1/4 x 16 Ga. | 293 | 72140628 | Bolt RDHD SQNK 3/8-16 x 3-1/2 |
| 76 | 12000001 | Ring, E | 294 | 197033 | Nut Jam 3/8-16 |
| | | | 295 | 179114 | Pulley Idler |

NOTE: All component dimensions given in U.S. inches
1 inch = 25.4 mm

REPAIR PARTS

TRACTOR- -MODEL NO. 917.256990

STEERING ASSEMBLY



steering_pl.it_60

REPAIR PARTS

TRACTOR- -MODEL NO. 917.256990

STEERING ASSEMBLY

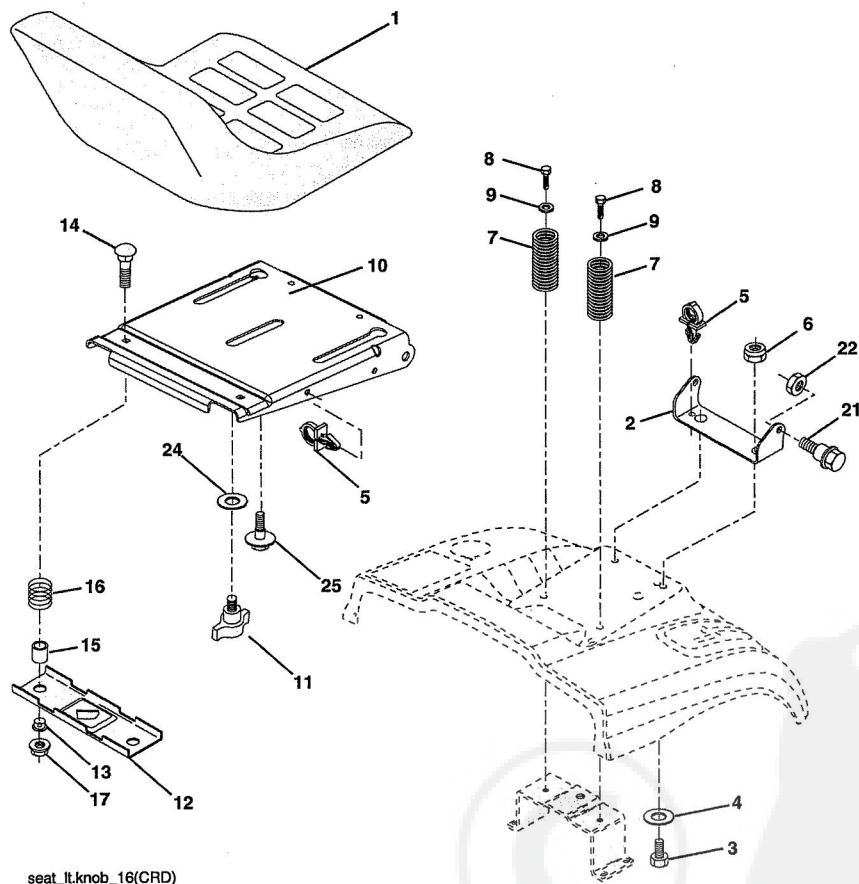
| KEY NO. | PART NO. | DESCRIPTION |
|---------|------------|-------------------------------------|
| 1 | 186093X428 | Steering Wheel |
| 2 | 184706 | Front Axle Assembly |
| 3 | 169840 | Spindle Assembly, L.H. |
| 4 | 169839 | Spindle Assembly, R.H. |
| 5 | 6266H | Bearing, Race, Thrust, Hardened |
| 6 | 121748X | Washer 25/32 x 1-5/8 x 16 Ga. |
| 8 | 12000029 | Ring, Klip |
| 10 | 175121 | Link, Drag |
| 11 | STD551137 | Washer, Lock |
| 13 | 136518 | Spacer Axle |
| 15 | 145212 | Nut, Hexflange Lock |
| 17 | 190753 | Shaft Assembly, Steering |
| 29 | 17000612 | Screw, 3/8-16 x 3/4 SMGML Tap/R |
| 32 | 170162 | Rod, Tie |
| 33 | 19111216 | Washer 11/32 x 3/4 x 16 Ga. |
| 34 | STD551131 | Washer Lock Hvy Hlcl Spr 5/16 |
| 35 | 73540500 | Nut Crownlock 5/16-24 unf |
| 36 | 155099 | Bushing, Steering |
| 37 | 152927 | Screw TT #10-32 x 5 x 3/8 Flange |
| 38 | 186095X428 | Cap Wheel Steering |
| 39 | 19113812 | Washer 11/32 ID x 2-3/8 OD x 12 Ga. |
| 40 | 73540600 | Nut Crownlock 3/8-24 |
| 41 | 186737 | Adaptor, Steering Wheel |
| 42 | 145054X428 | Boot, Steering Dash |
| 43 | 121749X | Washer 25/32 x 1-1/4 x 16 Ga. |
| 44 | 190752 | Extension Steering Non-Adjust |
| 46 | 184946X505 | Cap, Spindle |
| 65 | 160367 | Spacer Brace Axle |
| 67 | 72110618 | Bolt RDHD SQ 3/8-16 x 2-1/4 |
| 68 | 169827 | Brace Axle |
| 71 | 175146 | Steering Asm. |
| 82 | 199978 | Bracket Susp Chassis Front |
| 87 | 173966 | Washer FLat .781 x 1-1/2 x .14 |
| 88 | 175118 | Bolt Shoulder |
| 91 | 175553 | Clip Steering |
| 95 | 188967 | Washer Harden .739 x 1.637 x 060 |
| 97 | 74780564 | Bolt 5/16-18 unc x 4" L Gr. 5 |

NOTE: All component dimensions given in U.S. inches.
1 inch = 25.4 mm.

REPAIR PARTS

TRACTOR- -MODEL NO. 917.256990

SEAT ASSEMBLY



seat_it.knob_16(CRD)

| KEY NO. | PART NO. | DESCRIPTION |
|---------|-----------|--------------------------------|
| 1 | 188939 | Seat |
| 2 | 140551 | Bracket Pnt Pivot Seat (blk) |
| 3 | 71110616 | Bolt Fin Hex 3/8-16 unc x 1 |
| 4 | 19131610 | Washer Flat 13/32 x 1 x 10 Ga. |
| 5 | 145006 | Clip Push In Hinged |
| 6 | STD541437 | Nut Lock Hex 3/8-16 Unc |
| 7 | 124181X | Spring Seat Cprsn 2 250 Blk Zi |
| 8 | 17000616 | Screw 3/8-16 x 1 |
| 9 | 19131614 | Washer 13/32 x 1 x 14 Ga. |
| 10 | 195530 | Pan Pnt Seat |
| 11 | 166369 | Knob Seat Adj Wingnut |
| 12 | 174648 | Bracket Pnt Mounting Switch |

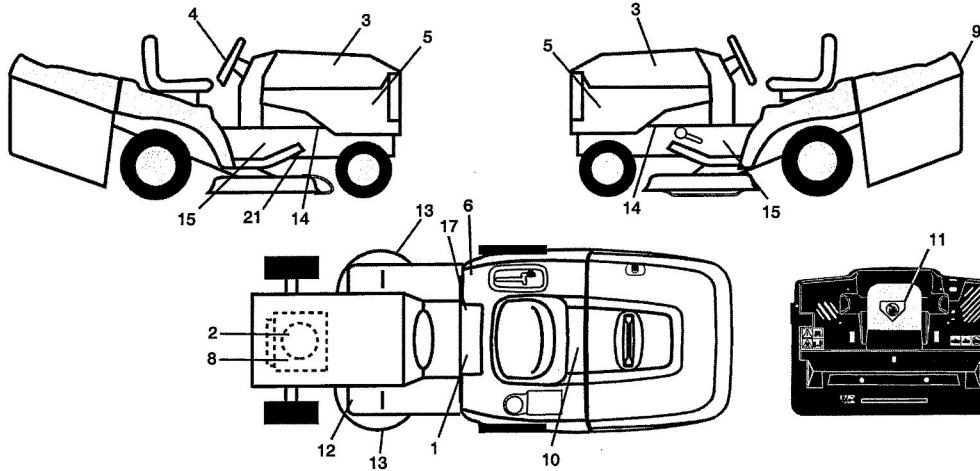
| KEY NO. | PART NO. | DESCRIPTION |
|---------|-----------|---------------------------------|
| 13 | 121248X | Bushing Snap Blk Nyl 50 Id |
| 14 | 72050412 | Bolt Rdhd Sht Nk 1/4-20 x 1-1/2 |
| 15 | 134300 | Spacer Split .28 x .96 Zinc |
| 16 | 121250X | Spring Cprsn |
| 17 | 123976X | Nut Lock 1/4 Lge Flg Gr. 5 Zinc |
| 21 | 171852 | Bolt Shoulder 5/16-18 unc-2A |
| 22 | STD541431 | Nut Hex Lock w/Ins 5/16-18 |
| 24 | 19171912 | Washer 17/32 x 1-3/16 x 12 Ga. |
| 25 | 127018X | Bolt Shoulder 5/16-18 x .62 |

NOTE: All component dimensions given in U.S. inches.
1 inch = 25.4 mm

REPAIR PARTS

TRACTOR- -MODEL NO. 917.256990

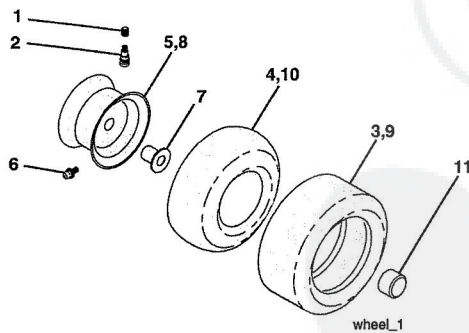
DECALS



| KEY NO. | PART NO. | DESCRIPTION |
|---------|----------|---------------------------------|
| 1 | 400389 | Decal Read Owner's Manual Sym |
| 2 | 412646 | Decal Hp Engine |
| 3 | 411697 | Decal Hood RH |
| 4 | 164065 | Decal Steering Wheel |
| 5 | 413054 | Decal Hood Side |
| 6 | 180432 | Decal 100 DB/CE |
| 8 | 196841 | Decal Engine Warning Sym |
| 9 | 411697 | Decal Fender Logo |
| 10 | 145005 | Decal Bat Dan/Poi P/L Sym Wpn |
| 11 | 182166 | Decal Mower Cut Finger Symbol |
| 12 | 159737 | Decal Brake/Clutch Symbol Lt |
| 13 | 196842 | Decal Saddle Shift Sym. Cutting |
| 14 | 159736 | Decal Chassis Hot Muffler |

| KEY NO. | PART NO. | DESCRIPTION |
|---------|------------|----------------------------|
| 15 | 186787 | Decal Chassis |
| 17 | 140837 | Decal Saddle Brake Parking |
| 21 | 166286 | Decal Deck Sch 92 CRD |
| -- | 138311 | Decal Lift Handle |
| -- | 179768X428 | Pad Footrest LH |
| -- | 179769X428 | Footrest Pad RH |
| -- | 412937 | Manual Operator's (Euro) |
| -- | 412938 | Manual Operator's (Scan) |
| -- | 412939 | Manual Operator's (E-Bloc) |
| -- | 412940 | Manual Operator's (Baltic) |
| -- | 412941 | Manual Parts |

WHEELS & TIRES



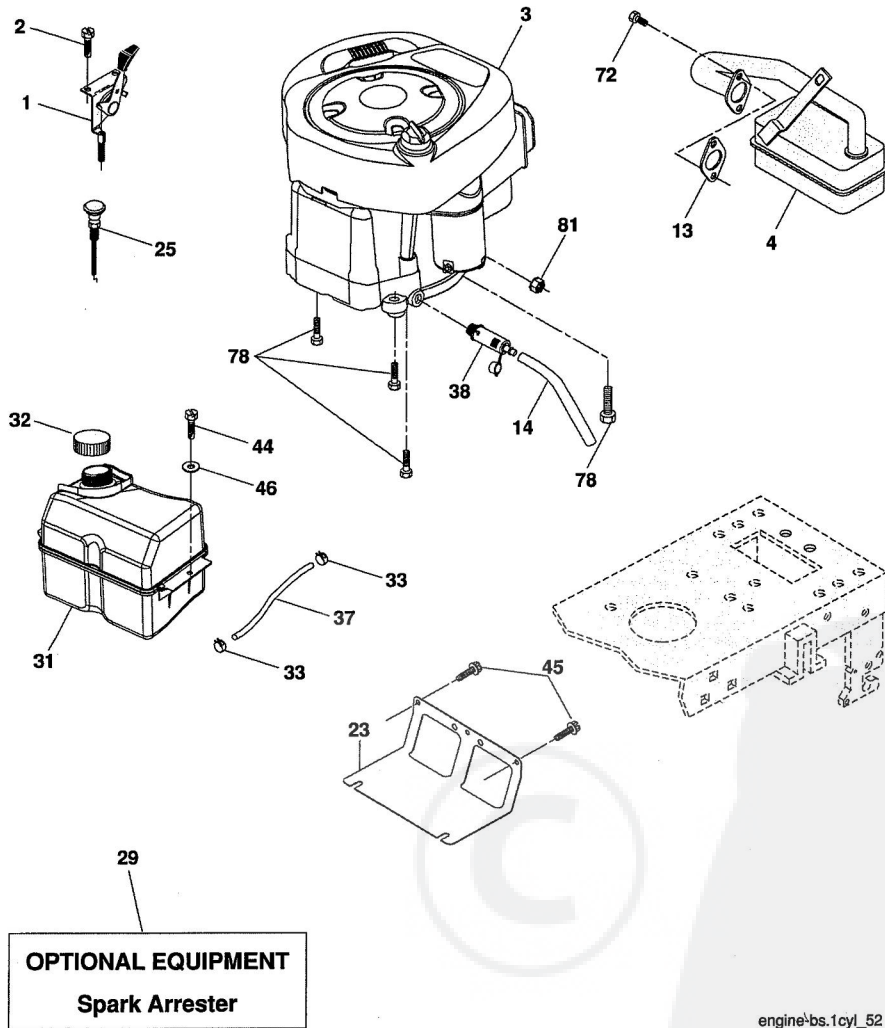
| KEY NO. | PART NO. | DESCRIPTION |
|---------|------------|--------------------------------|
| 1 | 59192 | Cap Value Tire |
| 2 | 65139 | Stem Value |
| 3 | 106222X | Tire F Ts 15 x 6.0 - 6 Service |
| 4 | 59904 | Tube Inner Front #35060 |
| 5 | 106732X645 | Rim Asm 6" front Service |
| 6 | 278H | Fitting Grease |
| 7 | 9040H | Bearing Flange |
| 8 | 106108X645 | Rim Asm 8" rear Service |
| 9 | 138648 | Tire R Ts 20 x 8-8 Service |
| 10 | 7152J | Tube Rear 9.5 x 8 Service |
| 11 | 104757X645 | Cap Axle Blk 1 50 x 1 00 |
| -- | 144334 | Sealant, Tire (10 oz. tube) |

NOTE: All component dimensions given in U.S. inches
1 inch = 25.4 mm

REPAIR PARTS

TRACTOR- -MODEL NO. 917.256990

ENGINE



engine-bs.1cyl_52

REPAIR PARTS

TRACTOR- -MODEL NO. 917.256990

ENGINE

| KEY NO. | PART NO. | DESCRIPTION |
|---------|------------|---------------------------------------|
| 1 | 170545 | Control Throttle |
| 2 | 17720408 | Screw Hex Thd Cut 1/4-20 x 1/2 |
| 3 | ----- | Engine Briggs Model 31C707-0240-B1 |
| 4 | 137352 | Muffler Exhaust B&S Lt |
| 13 | 165291 | Gasket 1 313 Id Tin Plated |
| 14 | 148456 | Tube Drain Oil Easy |
| 23 | 169837 | Shield Browning/Debris Guard |
| 25 | 187770X428 | Control Choke |
| 29 | 137180 | Arrestor Spark |
| 31 | 185534 | Tank Fuel |
| 32 | 197725 | Cap Asm Fuel |
| 33 | 123487X | Clamp Hose Blk |
| 37 | 137040 | Line Fuel 20" |
| 38 | 181654 | Plug Oil Drain Easy |
| 44 | 17670412 | Screw Hexwsh Thdrol 1/4-20 x 3/4 |
| 45 | 17000612 | Screw Hexwsh Thdr 3/8-16 x 3/4 |
| 46 | 19091416 | Washer 9/32 x 7/8 x 16 Ga. |
| 72 | 192334 | Screw Socket 5/16-18 x 3/4 |
| 78 | 17060620 | Screw 3/8-16 x 1-1/4 |
| 81 | STD541425 | Nut Keps 1/4-20 unc |

NOTE: All component dimensions given in U.S. inches
1 inch = 25.4 mm

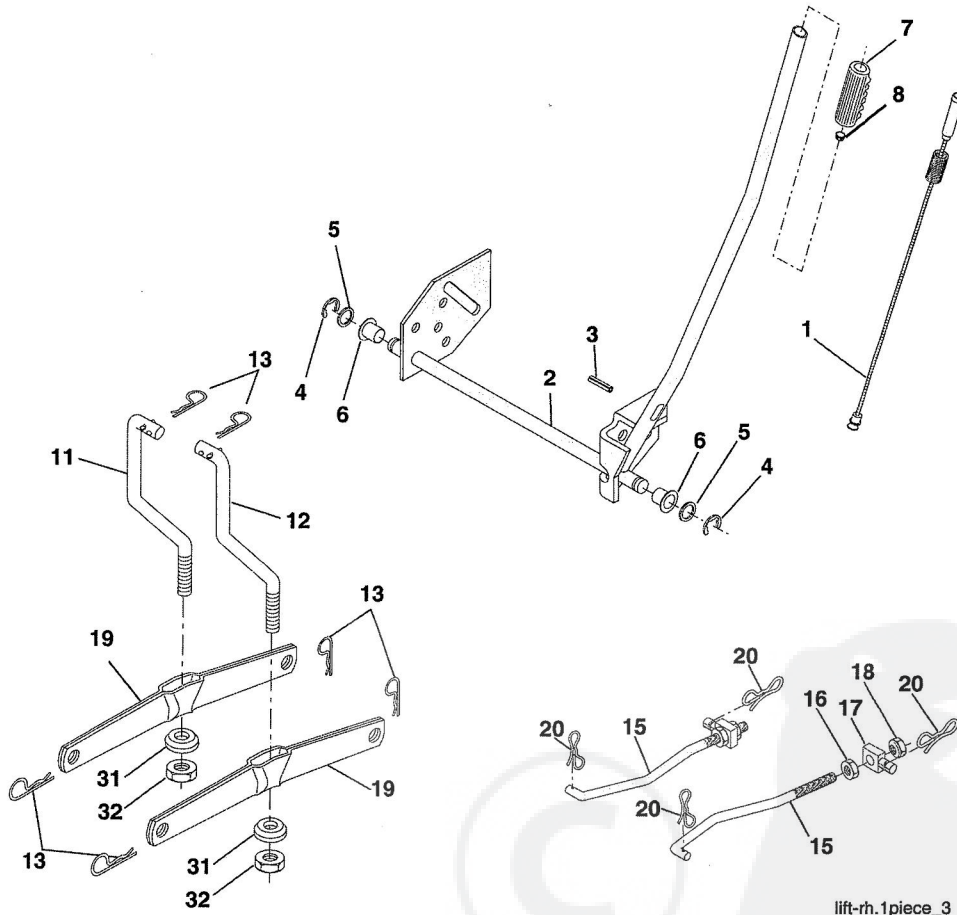
Engine Power Rating Information

The gross power rating for individual gas engine models is labeled in accordance with SAE (Society of Automotive Engineers) code J11940 (Small Engine Power & Torque Rating Procedure), and rating performance has been obtained and corrected in accordance with SAE J1995 (Revision 2002-5). Actual gross engine power will be lower and is affected by, among other things, ambient operating conditions and engine-to-engine variability. Given both the wide array of products on which engines are placed and the variety of environmental issues applicable to operating the equipment, the gas engine will not develop the rated gross power when used in a given piece of power equipment (actual "on-site" or net horsepower). This difference is due to a variety of factors including, but not limited to, accessories (air cleaner, exhaust, charging, cooling, carburetor, fuel pump, etc.), application limitations, ambient operating conditions (temperature, humidity, altitude), and engine-to-engine variability. Due to manufacturing and capacity limitations, Briggs & Stratton may substitute an engine of higher rated power for this Series engine.

REPAIR PARTS

TRACTOR- -MODEL NO. 917.256990

MOWER LIFT



lift-rh.1piece_3

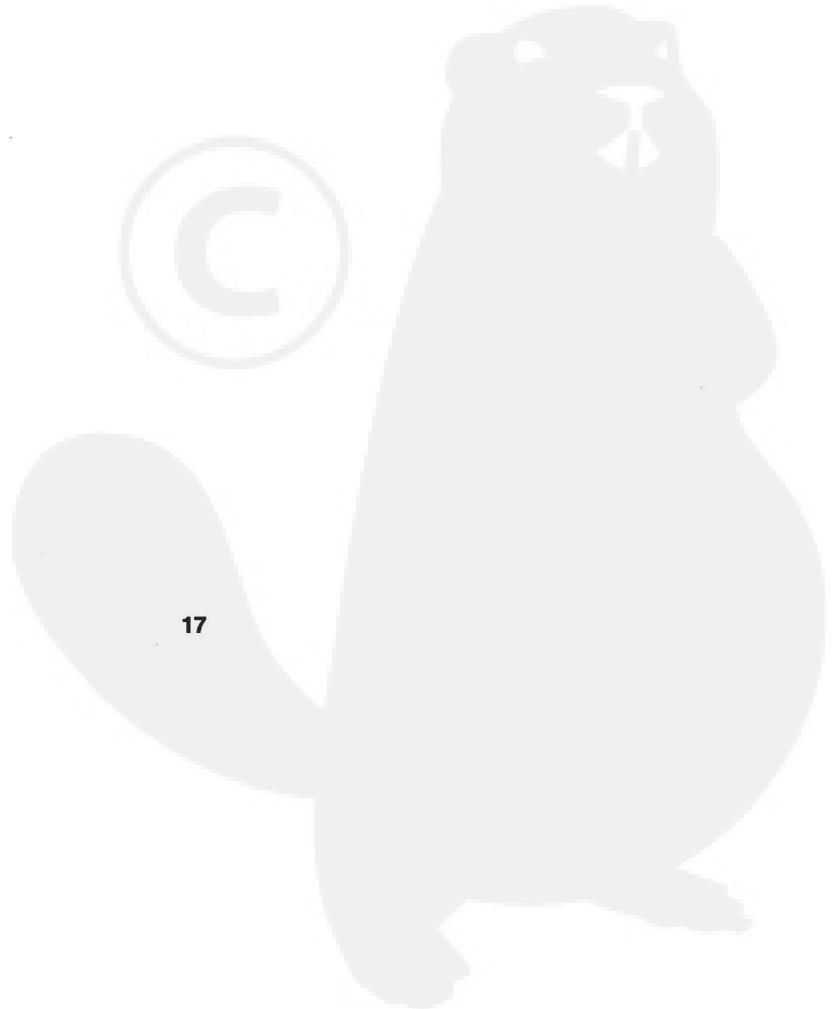
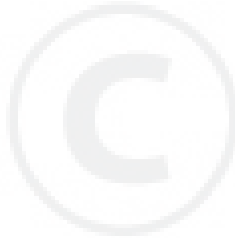
REPAIR PARTS

TRACTOR- -MODEL NO. 917.256990

MOWER LIFT

| KEY NO. | PART NO. | DESCRIPTION |
|---------|----------|---------------------------------|
| 1 | 159460 | Wire Asm Inner Spring W/Plunger |
| 2 | 159471 | Shaft Asm. Lift |
| 3 | 105767X | Pin Groove |
| 4 | 12000002 | E Ring #5133-62 |
| 5 | 19211621 | Washer 21/32 x 1 x 21 Ga. |
| 6 | 120183X | Bearing Nylon |
| 7 | 125631X | Grip Handle |
| 8 | 122365X | Button Plunger |
| 11 | 165829 | Link Asm Lift L.H. |
| 12 | 165831 | Link Asm Lift R.H. |
| 13 | 4939M | Retainer Spring |
| 15 | 173288 | Link Front |
| 16 | 73350800 | Nut Jam Hex 1/2-13 unc |
| 17 | 175689 | Trunnion Blk Zinc |
| 18 | 73800800 | Nut Lock w/wsh 1/2-13 unc |
| 19 | 139868 | Arm Suspension Mower |
| 20 | 194209 | Pin Cotter Bow Tie Lock |
| 31 | 169865 | Bearing, Pvt. Lift. |
| 32 | 73540600 | Nut Crownlock 3/8-24 |

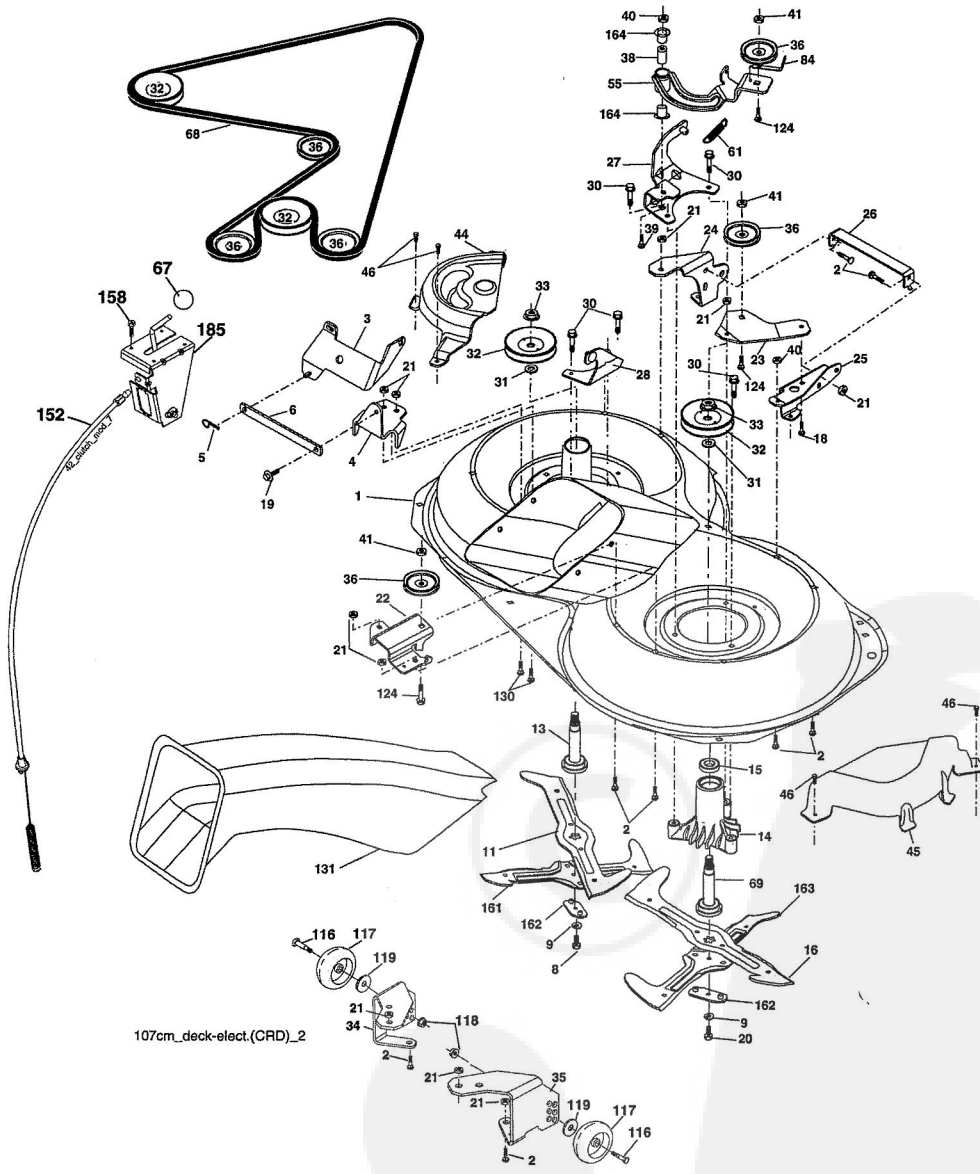
NOTE: All component dimensions given in U.S. inches
1 inch = 25.4 mm



REPAIR PARTS

TRACTOR- -MODEL NO. 917.256990

MOWER



107cm_deck-elect.(CRD)_2

REPAIR PARTS

TRACTOR- -MODEL NO. 917.256990

MOWER

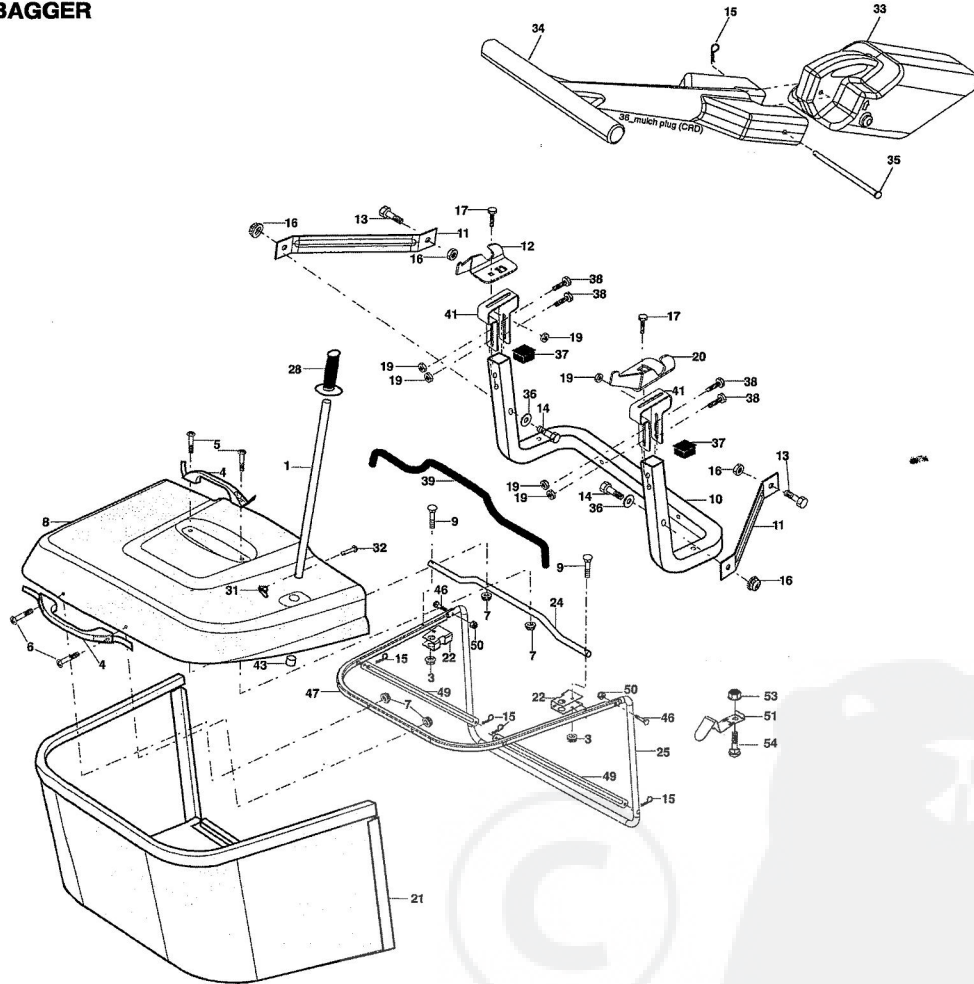
| KEY NO. | PART NO. | DESCRIPTION | KEY NO. | PART NO. | DESCRIPTION |
|---------|----------|-------------------------------------|---------|----------|-----------------------------------|
| 1 | 169160 | Housing Asm. Mower | 39 | 72110622 | Bolt RhHd 3/8-16 unc x 2-3/4 Gr.5 |
| 2 | 72140506 | Bolt Rdhd Sqnk 5/16-18 unc x 3/4 | 40 | 73680600 | Nut Crownlock 3/8-16 unc |
| 3 | 165569 | Bracket Asm. S-Bar Chass | 41 | 73900600 | Nut Flangelock 3/8-16 unc |
| 4 | 169167 | Bracket Bar Sway Deck | 44 | 175538 | Cover Mandrel Lh |
| 5 | 4939M | Retainer Spring | 45 | 175539 | Cover Mandrel Rh |
| 6 | 165557 | Bar Sway | 46 | 137729 | Screw Thd Roll 1/4-20 x 5/8 |
| 8 | 181712 | Bolt 3/8-24 x 1.25 Gr. 8 Patched | 55 | 169849 | Arm Idler |
| 9 | 10030600 | Washer Lock Hvy 3/8 Unplated | 61 | 199487 | Spring Tension |
| 11 | 180583 | Blade 3-1 Lh | 67 | 106932X | Knob |
| 13 | 137645 | Shaft Asm. W/Lower Bearing | 68 | 402009 | Hex-Belt Mower |
| 14 | 128774 | Housing Mandrel Vented (Machd) | 69 | 165482 | Shaft Asm W/Lwr Brg Rh Thd CRD |
| 15 | 110485 | Bearing Ball Mandrel | 84 | 156085 | Keeper Belt Idler |
| 16 | 180584 | Blade 3-1 Rh | 116 | 193406 | Bolt Shoulder |
| 18 | 72110606 | Bolt Rdhd Sqnk 3/8-16 x 3/4 Gr. 5 | 117 | 174873 | Wheel Gage |
| 19 | 132827 | Bolt Shoulder 5/16-18 Thd Form | 118 | 73930600 | Nut Centerlock 3/8-16 unc |
| 20 | 181713 | Bolt 3/8-24 x 1.25 Gr. 8 Ptch LHthd | 119 | 19132012 | Washer 13/32 x 1-1/4 x 12 |
| 21 | 73680500 | Nut Crown Lock 5/16-18 | 124 | 72110612 | Bolt Carr Sh 3/8-16 x 1-1/2 Gr5 |
| 22 | 169165 | Bracket Idler Sprt RR | 130 | 72110506 | Bolt Rdhdsqnk 5/16-18 unc x 3/4 |
| 23 | 169166 | Bracket Idler Sprt RF | 131 | 165661 | Chute Bagger CRD 92cm |
| 24 | 169170 | Bracket Suspension LF | 152 | 176074 | Cable Clutch |
| 25 | 400105 | Bracket Suspension RF | 158 | 17720408 | Screw 1/4-20 x 1/2 |
| 26 | 400110 | Brace Support Susp Frt CRD | 161 | 180424 | Blade Cross LH 107 |
| 27 | 169172 | Bracket Asm. Susp RR | 162 | 180878 | Adapter Weldment Blade 107 |
| 28 | 169168 | Bracket Asm. Susp LR | 163 | 180425 | Blade Cross RH 107 |
| 30 | 173984 | Screw Thd Rolling Dod.PT Hex | 164 | 3366R | Bearing |
| 31 | 187690 | Washer Spacer Mower Vented | 185 | 188234 | Head Asm Cable Clutch |
| 32 | 198145 | Mandrel Pulleys | -- | 181857 | Mandrel Asm Service |
| 33 | 400234 | Nut Flg Top Lock | -- | 181858 | Mandrel Asm CRD Lh Threads VC |
| 34 | 400103 | Bracket Gauge Wheel Lf | -- | 400325 | Replacement Mower Complete |
| 35 | 400104 | Bracket Gauge Wheel Rf | | | |
| 36 | 146763 | Pulley Idler V-Groove Dim 4.25 | | | |
| 38 | 169851 | Spacer Hub Arm Idler | | | |

NOTE: All component dimensions given in U.S. inches
1 inch = 25.4 mm

REPAIR PARTS

TRACTOR- -MODEL NO. 917.256990

BAGGER



Bagger Asy (CRD)_15

REPAIR PARTS

TRACTOR- -MODEL NO. 917.256990

BAGGER

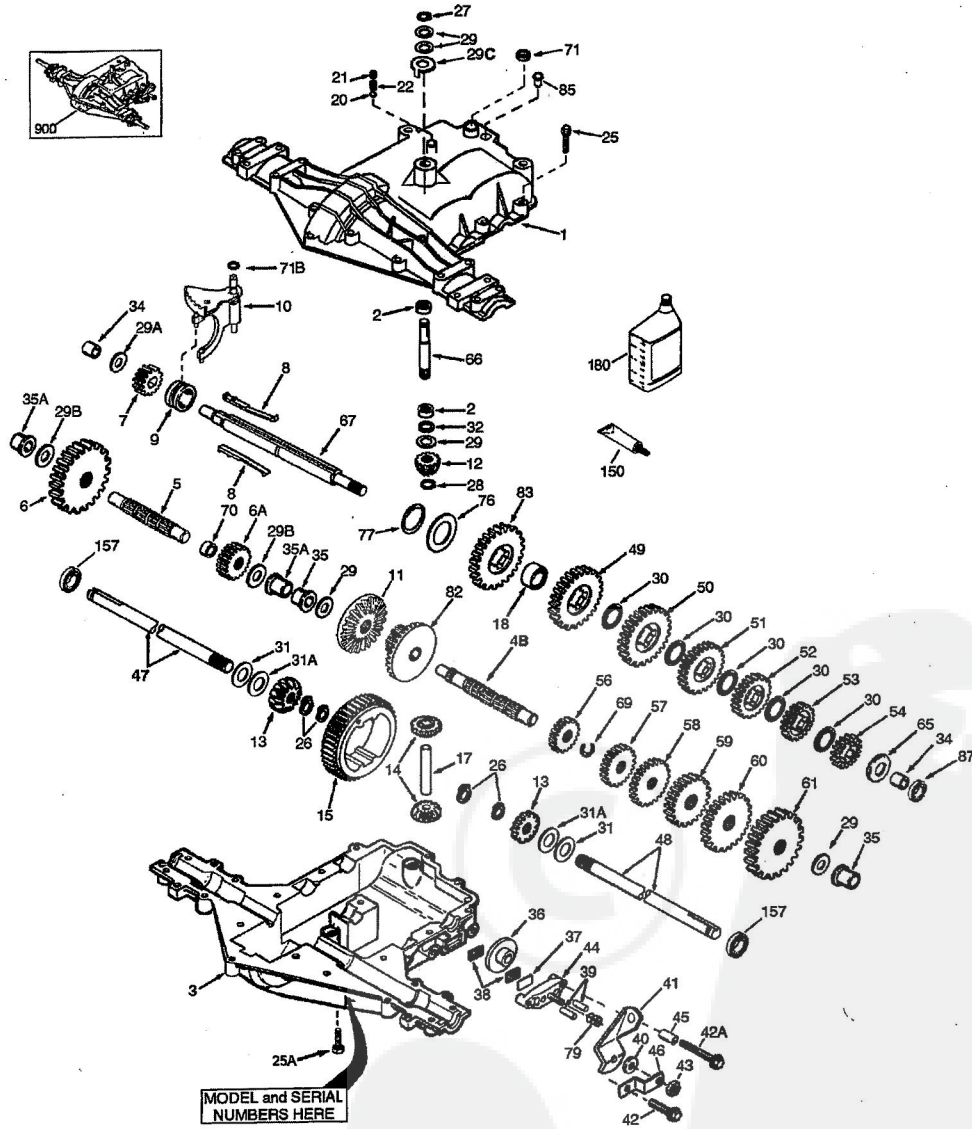
| KEY NO. | PART NO. | DESCRIPTION |
|---------|------------|---------------------------------------|
| 1 | 165249 | Tube Handle Bagger CRD |
| 3 | 123976X | Nut Lock 1/4 Lge Flg Gr. 5 Zinc |
| 4 | 169916 | Handle Bagger |
| 5 | 74981024 | Screw Pan Head #10-24 x 1.50 Blk |
| 6 | 74981032 | Screw Pan Hd |
| 7 | 73401000 | Nut Wiz Lock Hex Serr/Hd 10-24 |
| 8 | 169963X613 | Cover Bagger Steel CRD |
| 9 | 72140418 | Bolt Carriage 1/4-20 x 2.25d x Gr. 5 |
| 10 | 181282 | Tube Support Bagger CRD |
| 11 | 165719 | Bracket Support Upper Bag CRD |
| 12 | 188848 | Bracket Pivot Bagger Lh CRD |
| 13 | 74760612 | Bolt Fin Hex 3/8-16 unc x 3/4 |
| 14 | 74520636 | Bolt Fin Hex 3/8-16 x 2-1/4 Gr.5 |
| 15 | 4939M | Retainer Spring |
| 16 | 73900600 | Nut Lock Flg 3/8-16 UNC |
| 17 | STD533107 | Bolt Rdhd Sht Sqnk 5/16 -18 unc x 3/4 |
| 19 | 73900500 | Nut Lock Hex Flange 5/16-18 |
| 20 | 188847 | Bracket Bagger RH CRD |
| 21 | 406180 | Bag Asm CRD |
| 22 | 165781 | Bracket Side Bagger CRD |
| 24 | 165783 | Tube Pivot Bagger CRD |
| 25 | 193705 | Tube Front Bagger CRD |
| 28 | 165787 | Grip Handle Black |
| 31 | 169484 | Retainer Clip |
| 32 | 126875X | Rivet Rd Hd Drilled 3/8 Dia |
| 33 | 169380 | Plug Mulcher |
| 34 | 165570 | Handle Mulcher |
| 35 | 165572 | Pin Mulcher |
| 36 | 19132012 | Washer 13/32 x 1-1/4 x 12 Ga. |
| 37 | 175401 | Plug Support Bagger CRD |
| 38 | 72010520 | Bolt 5/16-18 x 5.20 |
| 39 | 180985 | Seal 37" |
| 41 | 169683 | Bracket Vert Adj Bagger CRD |
| 43 | 174083 | Plug Tubing End |
| 46 | 72110510 | Bolt Carr 5/16-18 x 1-1/4 Gr.5 |
| 47 | 193704 | Tube Upper |
| 49 | 193305 | Bar Spreader |
| 50 | 73800500 | Nut Lock Hx W/Ins 5/16-18 unc |
| 51 | 199903 | Latch Spring |
| 53 | 73510400 | Nut Keps Hex 1/4-20 unc |
| 54 | 72140406 | Bolt RDHD SQNK 1/4-20 x 3/4 Gr.5 |

NOTE: All component dimensions given in U.S. inches
1 inch = 25.4 mm

REPAIR PARTS

TRACTOR- -MODEL NO. 917.256990

PEERLESS TRANSAXLE - MODEL NUMBER 206-546



REPAIR PARTS

TRACTOR- -MODEL NO. 917.256990

PEERLESS TRANSAXLE - MODEL NUMBER 206-546

| KEY PART NO. | PART NO. | DESCRIPTION | KEY PART NO. | PART NO. | DESCRIPTION |
|--------------|----------|---|--------------|----------|-----------------------------------|
| 1 | 772147 | Transaxle Cover | 42 | 792073A | Screw 1/4-20 x 1-1/4" |
| 2 | 780086A | Needle Bearing 5/8" | 42A | 792085A | Screw 1/4-20 x 2-1/4" |
| 3 | 770128 | Transaxle Case | 43 | 792075 | Locknut 5/16-24 |
| 4B | 776406 | Countershaft | 44 | 790025 | Brake Pad Holder |
| 5 | 776409 | Output Shaft | 45 | 786066 | Spacer .2625 x 1.0 |
| 6 | 778364 | Spur Gear (38 teeth) | 46 | 786086 | Brake Lever Bracket |
| 6A | 778369 | Spur Gear (15 teeth-steel) | 47 | 774690 | Axle (11-15/16" long) |
| 7 | 778330 | Spur Gear (11 teeth) | 48 | 774691 | Axle (16-1/2" long) |
| 8 | 792180 | Shift Key | 49 | 778336 | Spur Gear (30 teeth) |
| 9 | 784352 | Shift Collar | 50 | 778338 | Spur Gear (27 teeth) |
| 10 | 784378 | Shift Rod & Fork | 51 | 778340 | Spur Gear (24 teeth) |
| 11 | 778334 | Bevel Gear (30 teeth) | 52 | 778342 | Spur Gear (22 teeth) |
| 12 | 778309 | Input Bevel Pinion (13 teeth) | 53 | 778352 | Spur Gear (19 teeth) |
| 13 | 778368 | Bevel Gear (13 teeth) (Incl. 14) | 54 | 778350 | Spur Gear (16 teeth) |
| 14 | 778368 | Bevel Pinion (13 teeth) (Incl.13) | 56 | 778335 | Spur Gear (10 teeth-steel) |
| 15 | 778370 | Ring Gear (43 teeth) | 57 | 778337 | Spur Gear (13 teeth) |
| 17 | 786188 | Drive Pin | 58 | 778339 | Spur Gear (16 teeth) |
| 18 | 786102 | Spacer 1.130 X .695 | 59 | 778341 | Spur Gear (18 teeth) |
| 20 | 792077A | Ball 5/16" dia | 60 | 778351 | Spur Gear (21 teeth) |
| 21 | 792078 | Set Screw 3/8-16 x 3/8" | 61 | 778349 | Spur Gear (24 teeth) |
| 22 | 792079 | Spring .310 ODx .625 L | 65 | 780189 | Flat Washer .563 ID x .062W |
| 25 | 792073A | Screw 1/4-20 x1-1/4" 17 | 66 | 776422 | Input Shaft |
| 25A | 792177 | Screw 1/4-20 x1-3/8" 2 | 67 | 776396 | Shifter & Brake Shaft |
| 26 | 792125 | Retaining Ring (pkg of 2) | 69 | 792170 | Retaining Ring |
| 27 | 792035 | Retaining Ring | 70 | 786187 | Spacer .890 |
| 28 | 788040 | Retaining Ring | 71 | 788069 | Square Cut Ring |
| 29 | 780072 | Thrust Washer .627ID x .031W | 71B | 788092 | "O" Ring |
| 29A | 780160 | Thrust Washer .563 ID x .031W | 76 | 780090 | Flat Washer 1.128 ID x .058W |
| 29B | 780051 | Thrust Washer .762 ID x .031W | 77 | 788078A | Inverted Retaining Ring |
| 29C | 780199 | Anti-Rotation Washer .632 | 79 | 792144 | Spring .430 OD x .5000 L |
| 30 | 780108 | Cup Washer 1.127ID x .032W | 82 | 778363 | Bevel & Spur Gear (30 & 13 teeth) |
| 31 | 780001 | Flat Washer .750ID x .056W(Use As Needed) | 83 | 778338 | Spur Gear (27 teeth) |
| 31A | 780195 | Flat Washer .750ID x .062W | 85 | 792154 | Oil Fill Plug |
| 32 | 788083 | Oil Seal 5/8" | 87 | 788089A | Oil Seal 9/16" |
| 34 | 780194 | Bushing .563 | 150 | 788093A | Liquid Gasket RTV Silicone |
| 35 | 780193 | Flanged Bushing 5/8" ID 2 | 157 | 788088A | Oil Seal 3/4" |
| 35A | 780197 | Flanged Bushing .751 2 | 180 | 730229A | Gear Oil 80W90 |
| 36 | 790075 | Brake Disk | 900 | 794715 | Replacement 206-546 Transaxle |
| 37 | 790007 | Brake Pad Plate | | | |
| 38 | 799021 | Brake Pad (pkg of 2) | | | |
| 39 | 786026 | Dowel Pin 5/16 x 3/4 | | | |
| 40 | 792076A | Flat Washer .312 ID x.059W | | | |
| 41 | 790094 | Brake Lever | | | |

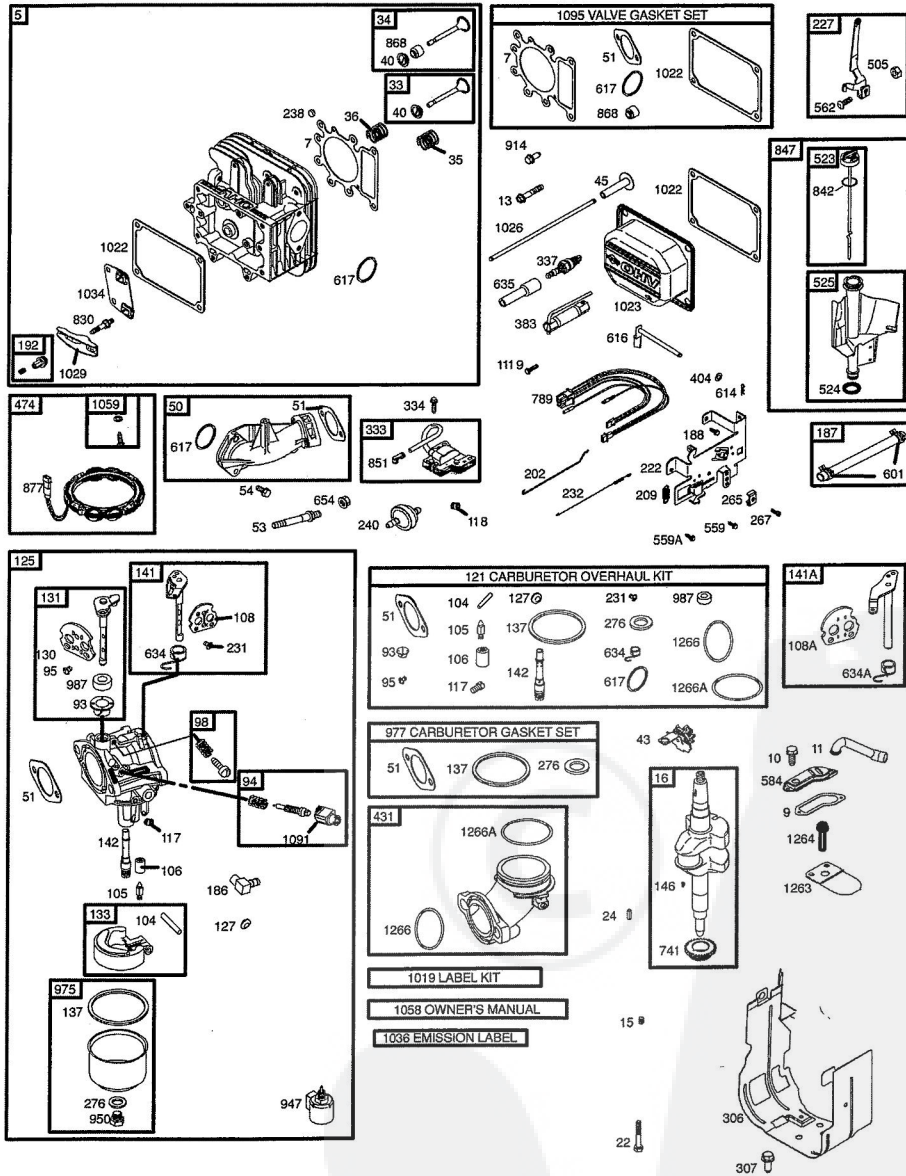
Parts must be ordered from Tecumseh Products Co.

NOTE: All component dimensions given in U.S. inches
1 inch = 25.4 mm

REPAIR PARTS

TRACTOR- - MODEL NO. 917.256990

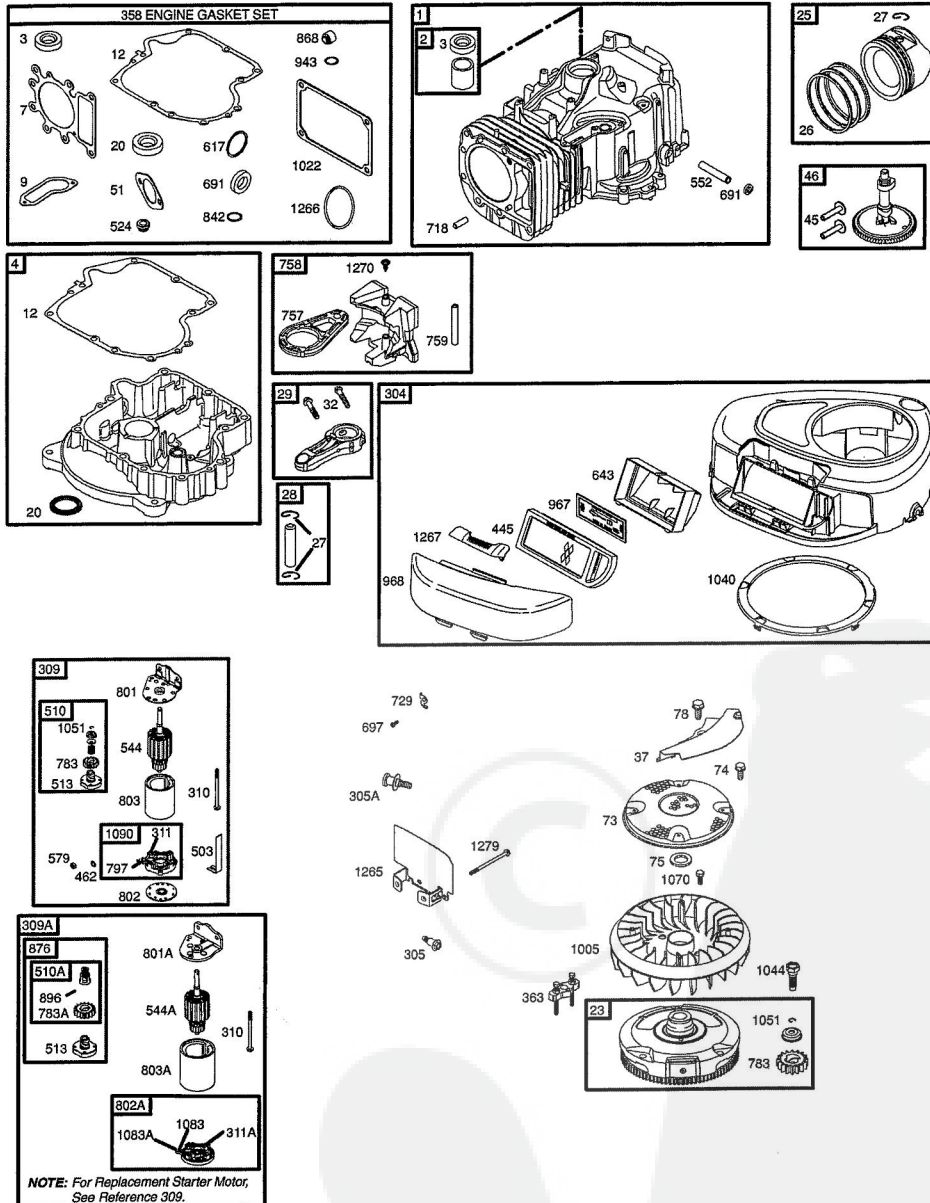
BRIGGS & STRATTON ENGINE - - MODEL NUMBER 31C707, TYPE NUMBER 0240-B1



REPAIR PARTS

TRACTOR- -MODEL NO. 917.256990

BRIGGS & STRATTON ENGINE - - MODEL NUMBER 31C707, TYPE NUMBER 0240-B1



REPAIR PARTS

TRACTOR- -MODEL NO. 917.256990

BRIGGS & STRATTON ENGINE - - MODEL NUMBER 31C707, TYPE NUMBER 0240-B1

| KEY PART NO. | NO. | DESCRIPTION | KEY PART NO. | NO. | DESCRIPTION |
|--------------|--------|---|--------------|--------|---|
| 1 | 697174 | Cylinder Assembly | 118 | 697492 | Jet-Main (High Altitude) |
| 2 | 399265 | Kit-Bushing/Seal (Magneto Side) | 121 | 697241 | Kit-Carburetor Overhaul |
| 3 | 391086 | • Seal-Oil (Magneto Side) | 125 | 697190 | Carburetor |
| 4 | 697106 | • Sump-Engine | 127 | 695005 | Plug-Welch |
| 5 | 698147 | Head-Cylinder | 130 | 691750 | Valve-Throttle |
| 7 | 692410 | •• Gasket-Cylinder Head | 131 | 494379 | Kit-Throttle Shaft |
| 9 | 697109 | • Gasket-Breather | 133 | 494381 | Float-Carburetor |
| 10 | 697157 | Screw (Breather Assembly) | 137 | 281165 | Ø‡ Gasket-Float Bowl |
| 11 | 697113 | Tube-Breather | 141 | 495097 | Kit-Choke Shaft (Manual Choke) |
| 12 | 697110 | • Gasket-Crankcase | 141A | 495931 | Kit-Choke Shaft (Choke A Matic) |
| 13 | 690360 | Screw (Cylinder Head) | 142 | 697140 | Ø Nozzle-Carburetor |
| 15 | 690946 | Plug-Oil Drain | 146 | 691639 | Key-Timing |
| 16 | 697127 | Crankshaft | 186 | 692317 | Connector-Hose |
| 20 | 690947 | • Seal-Oil (PTO Side) | 187 | 691050 | Line-Fuel (Cut to Required Length) |
| 22 | 692125 | Screw (Crankcase Cover/Sump) | 188 | 691693 | Screw (Control Bracket) |
| 23 | 693557 | Flywheel | 192 | 691986 | Adjuster-Rocker Arm |
| 24 | 222598 | Key-Flywheel | 202 | 691841 | Link-Mechanical Governor |
| 25 | 697159 | Piston Assembly (Standard) | 209 | 692208 | Spring-Governor |
| | 697160 | Piston Assembly (.010" Oversize) | 222 | 694042 | Bracket-Control |
| | 697162 | Piston Assembly (.020" Oversize) | 227 | 691374 | Lever-Governor Control |
| | 697163 | Piston Assembly (.030" Oversize) | 231 | 691636 | Screw (Choke Valve) |
| 26 | 697164 | Ring Set (Standard) | 232 | 691842 | Spring-Governor |
| | 697165 | Ring Set (.010" Oversize) | 238 | 691843 | Cap-Valve |
| | 697171 | Ring Set (.020" Oversize) | 240 | 394358 | Filter-Fuel |
| | 697172 | Ring Set (.030" Oversize) | 265 | 691024 | Clamp-Casing |
| 27 | 697100 | Lock-Piston Pin | 267 | 695134 | Screw (Casing Clamp) |
| 28 | 697099 | Pin-Piston | 276 | 692255 | Ø‡ Washer-Sealing |
| 29 | 697126 | Rod-Connecting (Standard) | 304 | 698402 | Housing-Blower |
| 32 | 692852 | Screw (Connecting Rod) | 305 | 697102 | Screw (Blower Housing) |
| 33 | 495856 | Valve-Exhaust | 305A | 697103 | Screw (Blower Housing) |
| 34 | 495857 | Valve-Intake | 306 | 697107 | Shield-Cylinder |
| 35 | 691279 | Spring-Valve (Intake) | 307 | 691003 | Screw (Cylinder Shield) |
| 36 | 691279 | Spring-Valve (Exhaust) | 309 | 693551 | Motor-Starter |
| 37 | 697352 | Guard-Flywheel | 309A | ----- | Motor-Starter (For Replacement Starter) |
| 40 | 691752 | Retainer-Valve | | | Motor, See Reference 309 |
| 43 | 691968 | Slinger-Governor/Oil | 310 | 690323 | Bolt (Starter Motor) |
| 45 | 690564 | Tappet-Valve | 311 | 497608 | Brush Set |
| 46 | 697687 | Camshaft | 311A | 395538 | Brush Set |
| 48 | 697761 | Short Block (31C707-0240-E2 Replacement Engine-art not available) | 333 | 492341 | Armature-Magneto |
| 50 | 690193 | Manifold-Intake | 334 | 691061 | Screw (Magneto Armature) |
| 51 | 692137 | •Ø‡• Gasket-Intake | 337 | 691043 | Plug-Spark |
| 53 | 690227 | Stud (Carburetor) | 358 | 697191 | Gasket Set-Engine |
| 54 | 691148 | Screw (Intake Manifold) | 363 | 19203 | Flywheel Puller |
| 73 | 697384 | Screen-Rotating | 383 | 89838 | Wrench-Spark Plug |
| 74 | 697987 | Screw (Rotating Screen) | 404 | 691691 | Washer (Governor Crank) |
| 75 | 690582 | Washer (Flywheel) | 431 | 697122 | Elbow-Intake |
| 78 | 691003 | Screw (Flywheel Guard) | | | |
| 93 | 690602 | Ø Bushing-Throttle Shaft | | | |
| 94 | 498030 | Kit-Idle Mixture | | | |
| 95 | 691636 | Screw (Throttle Valve) | | | |
| 98 | 495800 | Kit-Idle Speed | | | |
| 104 | 690525 | Ø Pin-Float Hinge | | | |
| 105 | 231855 | Ø Valve-Float Needle | | | |
| 106 | 690577 | Ø Seat-Inlet | | | |
| 108 | 690464 | Valve-Choke (Manual Choke) | | | |
| 108A | 692344 | Valve-Choke (Choke A Matic) | | | |
| 117 | 694352 | Ø Jet-Main (Standard) | | | |

- Included in Engine Gasket Set, Key. No. 358
- Ø Included in Carburetor Overhaul Kit, Key. No. 121
- ‡ Included in Carburetor Gasket Set, Key. No. 977
- + Included in Valve Gasket Set, Key. No. 1095

NOTE: All component dimensions given in U.S. inches 1 inch = 25.4 mm

REPAIR PARTS

TRACTOR- -MODEL NO. 917.256990

BRIGGS & STRATTON ENGINE - - MODEL NUMBER 31C707, TYPE NUMBER 0240-B1

| KEY PART NO. | KEY PART NO. | DESCRIPTION | KEY PART NO. | DESCRIPTION |
|--------------|--------------|--|--------------|---------------------------------------|
| 445 | 699083 | Filter-Air Cleaner Cartridge | 876 | 495877 Kit-Pinion Spring |
| 462 | 691261 | Washer (Starter Cable) | 877 | 393456 Wire-Connector/Alternator |
| 474 | 696459 | Alternator | 896 | 691641 Pin-Drive Retainer |
| 503 | 691532 | Strap-Starter | 914 | 690960 Screw (Rocker Cover) |
| 505 | 691251 | Nut (Governor Control Lever) | 947 | 694393 Solenoid-Fuel |
| 510 | 693699 | Drive-Starter | 950 | 691657 Screw (Float Bowl) |
| 510A | 497606 | Drive-Starter | 967 | 697015 Filter-Pre Cleaner |
| 513 | 692024 | Clutch-Drive | 968 | 698403 Cover-Air Cleaner |
| 523 | 697086 | Dipstick | 975 | 495933 Bowl-Float |
| 524 | 691032 | • Seal-Dipstick Tube | 977 | 690192 Gasket Set-Carburetor |
| 525 | 697184 | Tube-Dipstick | 987 | 691326 ∅ Seal-Throttle Shaft |
| 544 | 692034 | Starter-Armature | 1005 | 697853 Fan-Flywheel |
| 544A | 390837 | Starter-Armature | 1019 | 697143 Kit-Label |
| 552 | 697144 | Bushing-Governor Crank | 1022 | 272475 •+ Gasket-Rocker Cover |
| 559 | 697561 | Screw (Remote Choke Stop) | 1023 | 692492 Cover-Rocker Arm |
| 559A | 693675 | Screw (Remote Choke Stop) | 1026 | 692003 Rod-Push (Intake) |
| 562 | 691119 | Bolt (Governor Control Lever) | | 692011 Rod-Push (Exhaust) |
| 579 | 691029 | Nut (Starter Cable) | 1029 | 691751 Arm-Rocker |
| 584 | 697112 | Cover-Breather Passage | 1034 | 690822 Guide-Push Rod |
| 601 | 95162 | Clamp-Hose | 1036 | 695700 Label-Emission |
| 614 | 691620 | Pin-Cotter | 1040 | 698368 Plate-Trim |
| 616 | 692012 | Crank-Governor | 1044 | 691658 Screw (Flywheel) |
| 617 | 692138 | ∅ •Seal-O Ring (Intake Manifold) | 1051 | 691265 Ring-Retaining |
| 634 | 690801 | ∅ Spring/Seal Assembly (Manual Choke) | 1058 | 275038 Owner's Manual |
| 634A | 690802 | ∅ Spring/Seal Assembly (Choke A Matic) | 1059 | 698516 Kit-Screw/Washer |
| 635 | 691909 | Boot-Spark Plug | 1070 | 690372 Screw (Flywheel Fan) |
| 643 | 698401 | Retainer-Air Filter | 1083 | 691626 Nut (Starter Terminal) |
| 654 | 690958 | Nut (Carburetor) | 1083A | 690958 Nut (Starter Terminal) |
| 691 | 692407 | • Seal-Governor Shaft | 1090 | 691293 Retainer-Brush |
| 697 | 690372 | Screw (Drive Cap) | 1091 | 691333 Cap-Limiter |
| 718 | 690959 | Pin-Locating | 1095 | 690190 Gasket Set-Valve |
| 729 | 691224 | Clip-Wire | 1119 | 691183 Screw (Alternator) |
| 741 | 697128 | Gear-Timing | 1263 | 697124 Reed-Breather |
| 757 | 697607 | Link-Counterweight | 1264 | 697104 Screw (Breather Reed) |
| 758 | 697134 | Counterweight | 1265 | 697125 Support-Blower Housing |
| 759 | 697392 | Pin-Counterweight | 1266 | 691917 •∅ Seal-O Ring (Intake Elbow) |
| 783 | 693713 | Gear-Pinion | 1266A | 697123 ∅ Seal-O Ring (Intake Elbow) |
| 783A | 693059 | Gear-Pinion | 1267 | 697575 Latch-Blower Housing |
| 789 | 698329 | Harness-Wiring | 1270 | 697156 Plug-AVS Counterweight |
| 797 | 693167 | Nut (Brush Retainer) | 1279 | 690960 Screw (Blower Housing Support) |
| 801 | 691283 | Cap-Drive | | Low Speed: 1900-2100 |
| 801A | 394856 | Cap-Drive | | High Speed: 3000-3200 |
| 802 | 691286 | Cap-End | | |
| 802A | 395537 | Cap-End | | |
| 803 | 693757 | Housing-Starter | | |
| 803A | 398159 | Housing-Starter | | |
| 830 | 691095 | Stud (Rocker Arm) | | |
| 842 | 691031 | • Seal-O Ring (Dipstick Tube) | | |
| 847 | 697611 | Dipstick/Tube Assembly | | |
| 851 | 692424 | Terminal-Spark Plug | | |
| 868 | 690968 | •+ Seal-Valve | | |
| | | | 876 | 495877 Kit-Pinion Spring |
| | | | 877 | 393456 Wire-Connector/Alternator |
| | | | 896 | 691641 Pin-Drive Retainer |
| | | | 914 | 690960 Screw (Rocker Cover) |
| | | | 947 | 694393 Solenoid-Fuel |
| | | | 950 | 691657 Screw (Float Bowl) |
| | | | 967 | 697015 Filter-Pre Cleaner |
| | | | 968 | 698403 Cover-Air Cleaner |
| | | | 975 | 495933 Bowl-Float |
| | | | 977 | 690192 Gasket Set-Carburetor |
| | | | 987 | 691326 ∅ Seal-Throttle Shaft |
| | | | 1005 | 697853 Fan-Flywheel |
| | | | 1019 | 697143 Kit-Label |
| | | | 1022 | 272475 •+ Gasket-Rocker Cover |
| | | | 1023 | 692492 Cover-Rocker Arm |
| | | | 1026 | 692003 Rod-Push (Intake) |
| | | | | 692011 Rod-Push (Exhaust) |
| | | | 1029 | 691751 Arm-Rocker |
| | | | 1034 | 690822 Guide-Push Rod |
| | | | 1036 | 695700 Label-Emission |
| | | | 1040 | 698368 Plate-Trim |
| | | | 1044 | 691658 Screw (Flywheel) |
| | | | 1051 | 691265 Ring-Retaining |
| | | | 1058 | 275038 Owner's Manual |
| | | | 1059 | 698516 Kit-Screw/Washer |
| | | | 1070 | 690372 Screw (Flywheel Fan) |
| | | | 1083 | 691626 Nut (Starter Terminal) |
| | | | 1083A | 690958 Nut (Starter Terminal) |
| | | | 1090 | 691293 Retainer-Brush |
| | | | 1091 | 691333 Cap-Limiter |
| | | | 1095 | 690190 Gasket Set-Valve |
| | | | 1119 | 691183 Screw (Alternator) |
| | | | 1263 | 697124 Reed-Breather |
| | | | 1264 | 697104 Screw (Breather Reed) |
| | | | 1265 | 697125 Support-Blower Housing |
| | | | 1266 | 691917 •∅ Seal-O Ring (Intake Elbow) |
| | | | 1266A | 697123 ∅ Seal-O Ring (Intake Elbow) |
| | | | 1267 | 697575 Latch-Blower Housing |
| | | | 1270 | 697156 Plug-AVS Counterweight |
| | | | 1279 | 690960 Screw (Blower Housing Support) |
| | | | | Low Speed: 1900-2100 |
| | | | | High Speed: 3000-3200 |

- Included in Engine Gasket Set, Key. No. 358
- ∅ Included in Carburetor Overhaul Kit, Key. No. 121
- ± Included in Carburetor Gasket Set, Key. No. 977
- + Included in Valve Gasket Set, Key. No. 1095

NOTE: All component dimensions given in U.S. inches 1 inch = 25.4 mm

LIMITED WARRANTY ON CRAFTSMAN RIDING EQUIPMENT

For two (2) years from the date of purchase, if this Craftsman Riding Equipment is maintained, lubricated and tuned up according to the instructions in the owner's manual, Sears will repair or replace free of charge any parts that are found to be defective in material or workmanship according to the guidelines of coverage listed below. Sears will also provide free labor for these applicable warranted parts for the two full years. During the first 30 days of purchase, there will be no charges to service the product at your home for issues covered by this warranty. (See exclusions below). For your convenience, IN HOME warranty service will still be available after the first 30 days of purchase, but a trip charge will apply. This charge will be waived if the Craftsman product is dropped off at an authorized Sears location. For the nearest authorized Sears location, please call 1-800-4-MY-HOME®. This warranty applies only while this product is within the United States.

This Warranty does not cover:

- Expendable items which become worn during normal use, including but not limited to blades, spark plugs, air cleaners, belts, and oil filters.
- Standard Maintenance Servicing, oil changes, or tune-ups
- Tire replacement or repair caused by punctures from outside objects, such as nails, thorns, stumps, or glass.
- Repairs necessary because of operator abuse, including but not limited to, damage caused by towing objects beyond the capability of the riding equipment, impacting objects that bend the frame or crankshaft, or over-speeding the engine.
- Repairs necessary because of operator negligence, including but not limited to, electrical and mechanical damage caused by improper storage, failure to use the proper grade and amount of engine oil, failure to keep the deck clear of flammable debris, or failure to maintain the equipment according to the instructions contained in the owner's manual.
- Engine (fuel system) cleaning or repairs caused by fuel determined to be contaminated or oxidized (stale). In general, fuel should be used within 30 days of its purchase date.
- Normal deterioration and wear of the exterior finishes, or product label replacement.
- Riding equipment used for commercial or rental purposes.

LIMITED WARRANTY ON BATTERY

For ninety (90) days from date of purchase, if any battery included with this riding equipment proves defective in material or workmanship and our testing determines the battery will not hold a charge, Sears will replace the battery at no charge. During the first 30 days of purchase, there will be no charges to replace the battery at your HOME. After the first 30 days, for your convenience, IN-HOME warranty service will still be available but a trip charge will apply. This charge will be waived if the Craftsman product is dropped off at an authorized Sears location. For the nearest authorized Sears location, please call 1-800-4-MY-HOME®.

This battery warranty applies only while this product is within the United States.

This warranty gives you specific legal rights, and you may also have other rights, which vary, from state to state.

Sears, Roebuck and Co., Dept. 817WA, Hoffman Estates, IL 60179

**CRAFTSMAN®**