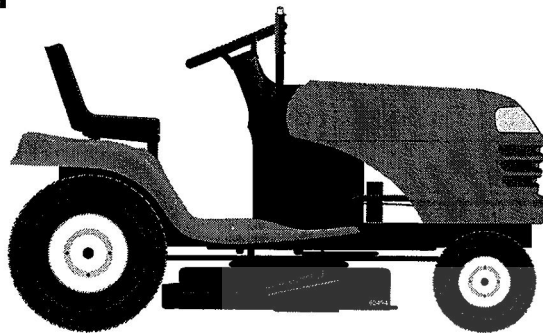


CRAFTSMAN®

LAWN TRACTOR
25.0 HP, 42" Mower
Electric Start
Automatic Transmission

Model No.
917.273461



This product has a low emission engine which operates differently from previously built engines. Before you start the engine, read and understand this Owner's Manual.

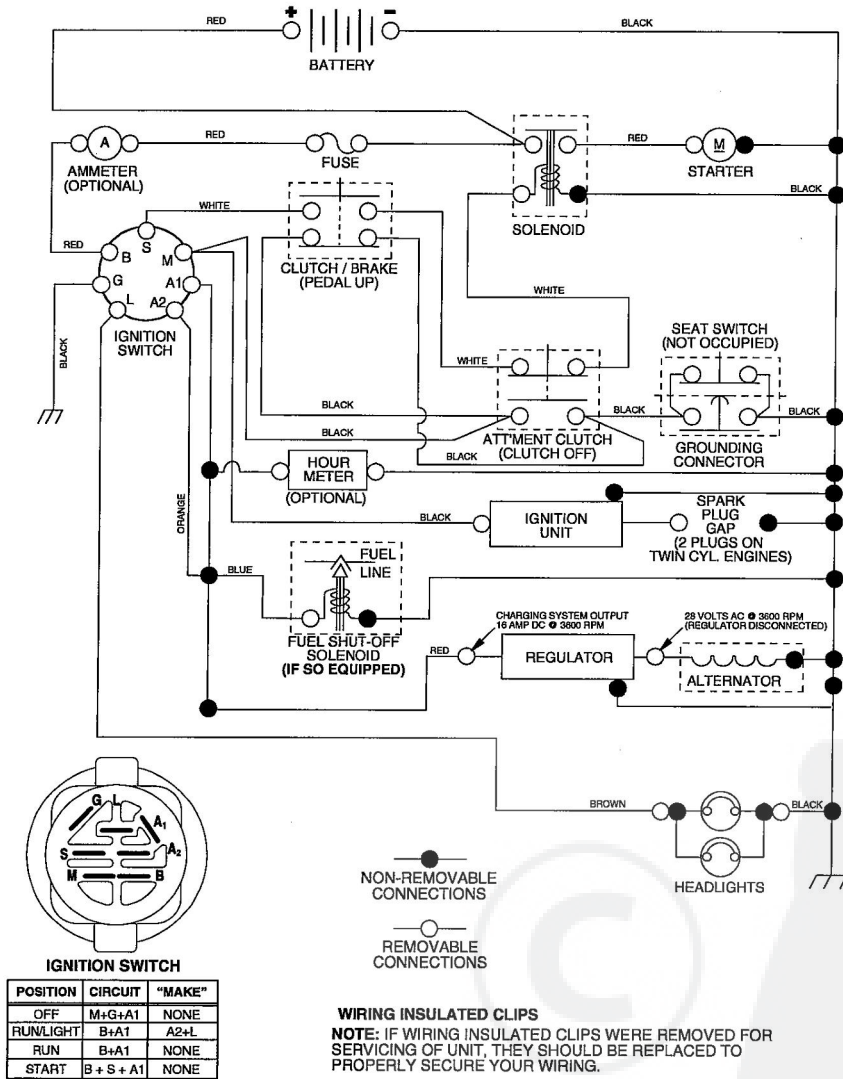
IMPORTANT:

Read and follow all Safety Rules and Instructions before operating this equipment.

For answers to your questions about this product, Call:

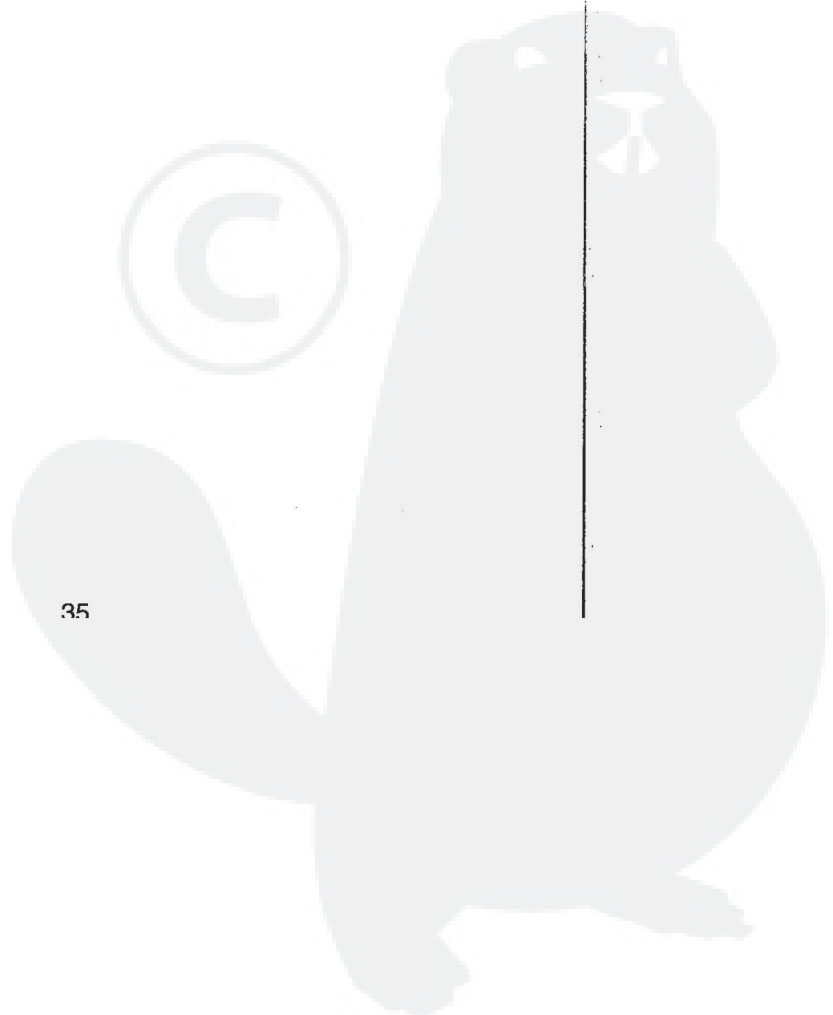
1-800-659-5917
Sears Craftsman Help Line
5 am - 5 pm, Mon - Sat

Sears, Roebuck and Co., Hoffman Estates, IL 60179 U.S.A
Visit our Craftsman website: www.sears.com/craftsman

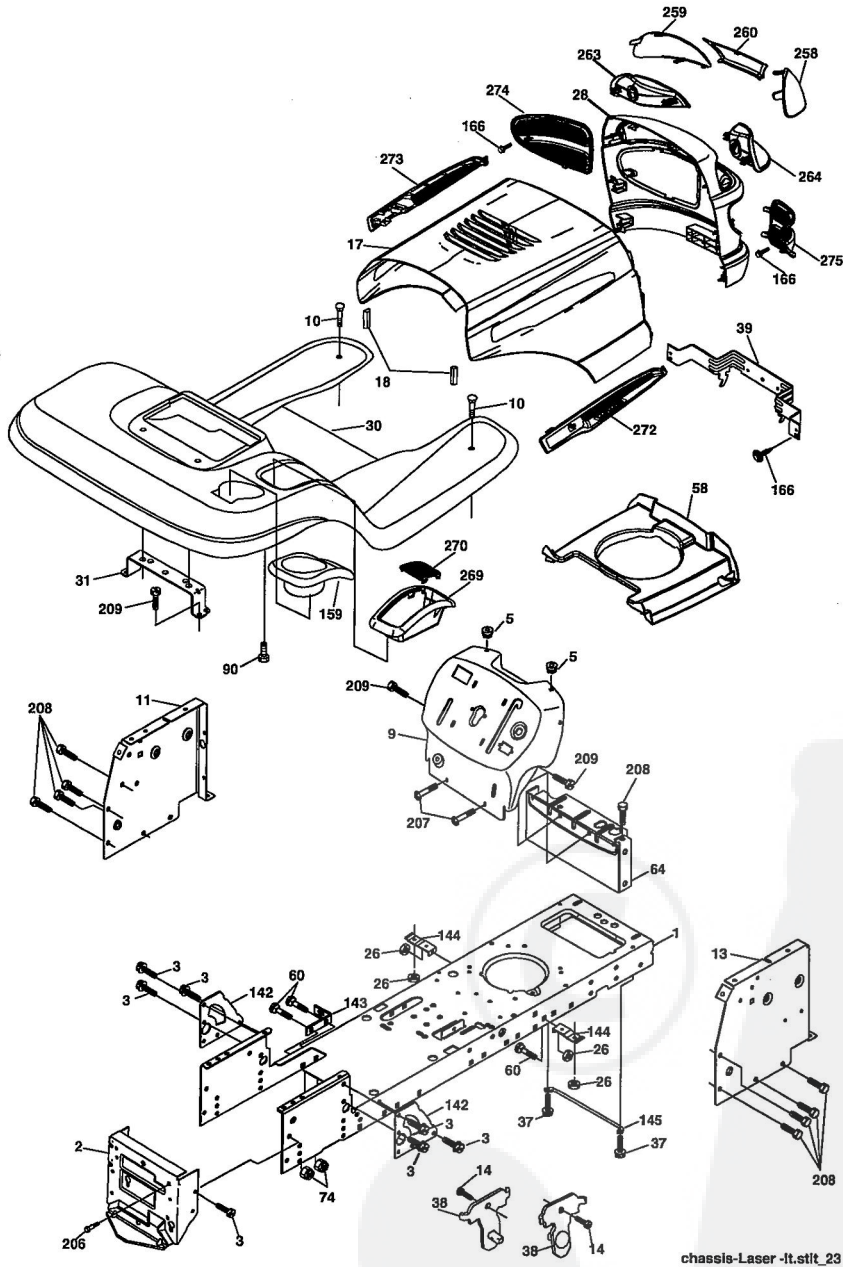


KEY NO.	PART NO.	DESCRIPTION
1	144927	Battery
2	74760412	Bolt, Hex 1/4-20 x 3/4
8	7603J	Tray, Battery
10	145211	Bolt, Btr Front 1/4-20 x 7-1/2
11	150109	Holddown Battery Front Mount
12	145769	Nut, Push Nylon Battery Front 1/4
16	176138	Switch Interlock
21	183759	Harness, Light Socket (w/4152J)
22	4152J	Light Bulb
24	4799J	Cable, Battery
25	146148	Cable, Battery
26	175158	Fuse
27	73510400	Nut Keps Hex 1/4-20 Unc
28	145491	Cable, Ground
29	121305X	Switch, Seat
30	175566	Switch, Ignition
33	140403	Key, Molded
40	179720	Harness, Ignition
41	71110408	Bolt Blk Fin Hex 1/4-20 Unc x 1/2
42	131563	Cover, Terminal
43	178861	Solenoid
45	122822X	Ammeter Rectangular
52	141940	Protection Wire Loop (Hour Meter)
55	17490508	Screw Thdrol 5/16-18 x 1/2

NOTE: All component dimensions given in U.S. inches
1 inch = 25.4 mm



MODEL NUMBER 917.273461

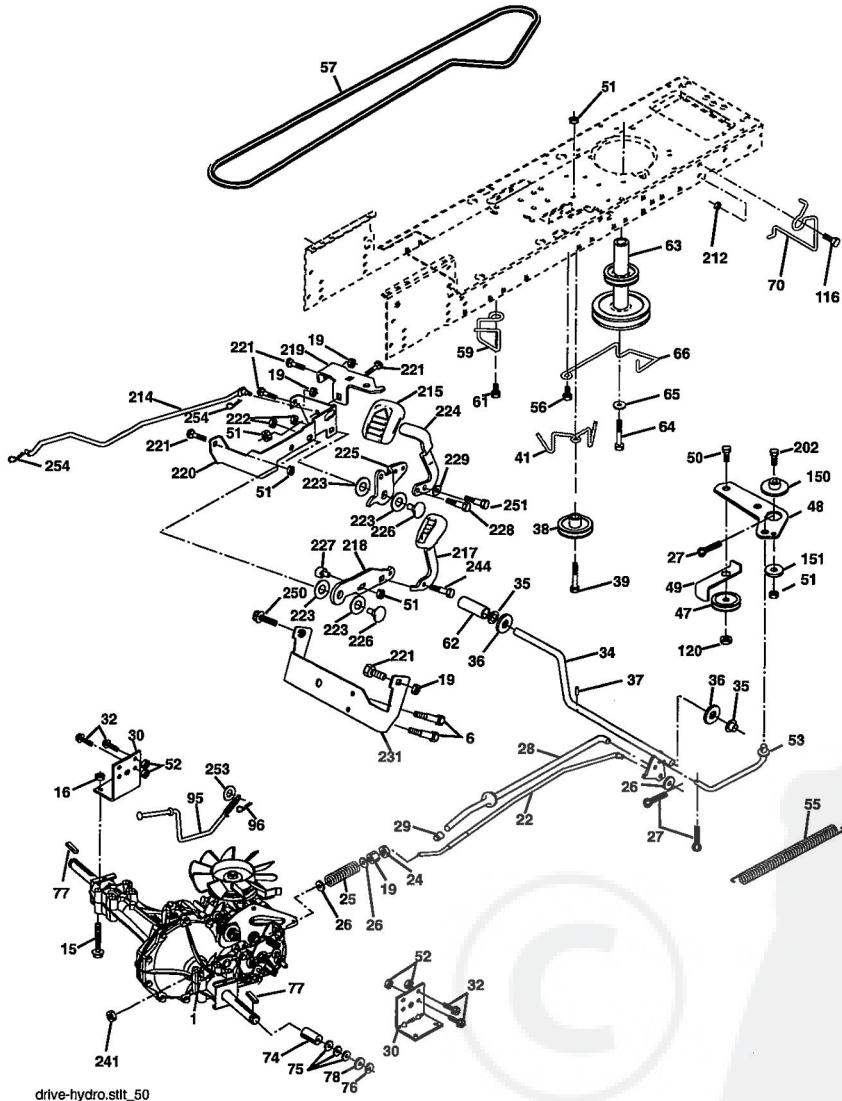


chassis-Laser -lt.stlt_23

KEY PART NO.	PART NO.	DESCRIPTION
1	174619	Chassis
2	176554	Drawbar
3	17060612	Screw 3/8-16 x 3/4
5	155272	Bumper Hood/Dash
9	168337X013	Dash
10	STD533710	Bolt, Carriage 3/8-16 x 1
11	174996	Panel, Dash, LH
13	172105X010	Panel, Dash, RH
14	17490608	Screw Thdrol 3/8-16 x 1/2
17	184272X615	Hood Assembly
18	184291	Bumper Extrusion
20	180679	Plate Mtg Battery Fuel Tank
23	124028X	Bushing, Snap, Nylon, Fuel Line
26	STD541437	Locknut, Hex, with Insert 3/8-16 Unc
28	184259	Grille/Lens Asm.
30	184413X615	Fender/Foofrest
31	139976	Bracket, Fender/Support
37	17490508	Screw, Thdrol. 5/16-18 x 1/2 TYT
38	175710	Bracket Asm Pivot Mower Rear
39	174714	Bracket Pivot Laser Lt
58	184537	Air Duct
60	72140606	Bolt Rdhd Sqnk 3/8-16 Unc x 3/4
64	154798	Dash Lower STLT
74	STD541437	Nut Crownlock 3/8-16 Unc
90	124346X	Nut 1/4
142	175702	Plate Reinforcement STLT
143	154966	Bracket Swaybar Chassis
144	175582	Bracket Footrest STLT
145	156524	Rod Pivot Chassis/Hood
159	179950X428	Cupholder
166	171875	Screw 13-16 x 3/4
206	170165	Bolt Shoulder 5/16-18TT
207	17670508	Screw Thdrol 5/16-18 x 1/2
208	17670608	Screw Thdrol 3/8-16 x 1/2
209	17000612	Screw Hex Wsh Thdrol 3/8-16 x 3/4
217	179132X428	Console Fuel Window
219	17000512	Screw 5/16-18 x 3/4
222	171875	Screw HWHD Hi-Lo #13-16 x 3/4
258	184264X599	Lens RH
259	184263X599	Lens LH
260	184262X428	Cover Lens
263	184265	Bezel Grille LH
264	184266	Bezel Grille RH
269	184400X428	Toolbox
270	184401X428	Lid Toolbox
272	185922X428	Vent Hood LH
273	185923X428	Vent Hood RH
274	184260X428	Insert Grille LH
275	184261X428	Insert Grille RH
--	5479J	Plug Button

NOTE: All component dimensions given in U.S. inches
1 inch = 25.4 mm

MODEL NUMBER 917.273461

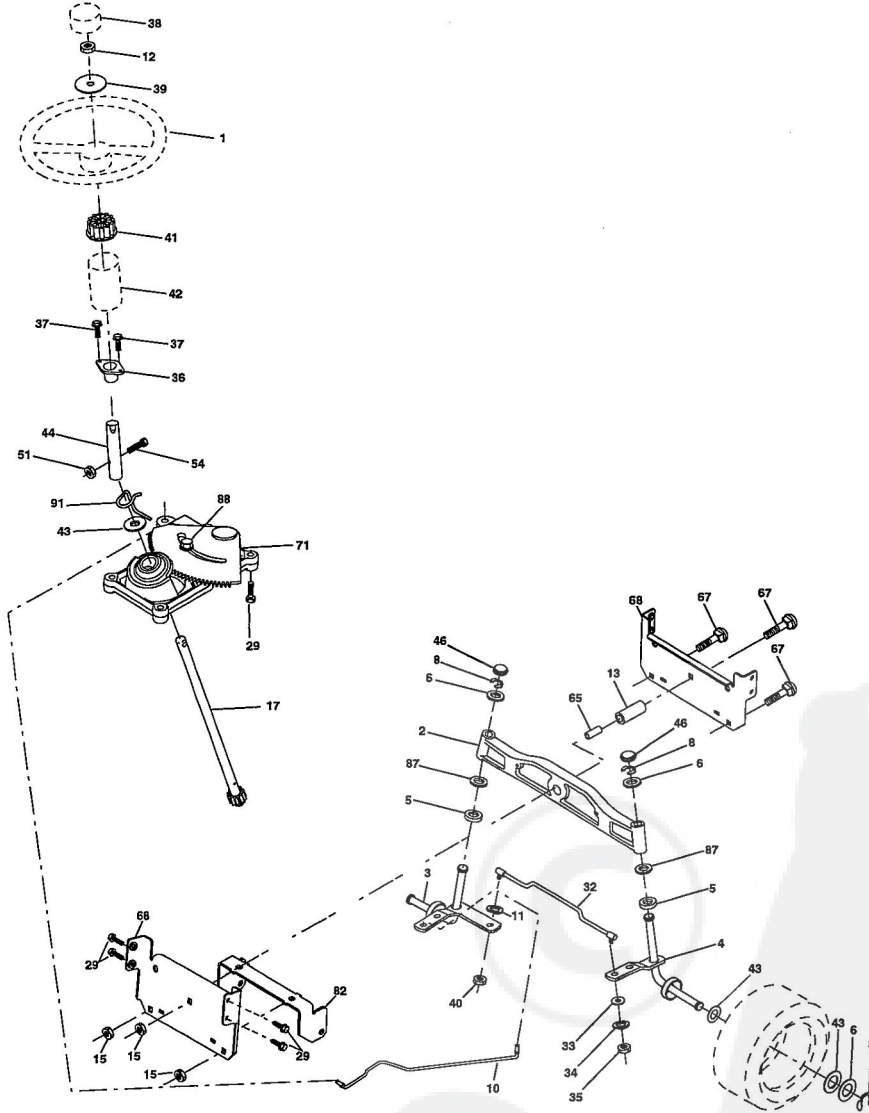


drive-hydro.stlt_50

KEY PART NO.	PART NO.	DESCRIPTION	KEY PART NO.	PART NO.	DESCRIPTION
1	-----	Transaxle (See Breakdown)	70	134683	Guide Belt Mower Drive RH
		Hydro gear Model 336-0510	74	137057	Spacer, Axle
6	17060512	Screw 5/16-18 x 3/4	75	121749X	Washer 25/32 x 1-1/4 x 16 Ga.
15	74490544	Bolt Hex Flghd 5/16-18 Gr. 5	76	12000001	E-Ring
16	STD541431	Nut Lock Hex 5/16-18	77	123583X	Key, Square
19	STD541437	Nut Lock Hex 3/8-16	78	121748X	Washer 25/32 x 1-5/8 x 16 Ga.
22	175896	Rod, Brake	95	180825	Rod Bypass
24	73350600	Nut, Hex Jam 3/8-16 Unc	96	4497H	Retainer Spring 1" Zinc/Cad
25	106888X	Spring, Brake Rod	116	72140608	Bolt Rdhd Sqnk 3/8-16 Unc x 1
26	19131316	Washer	120	73900600	Nut Lock Flg 3/8-16 Unc
27	76020412	Pin Cotter 1/8 x 3/4 CAD.	150	175456	Spacer Retainer
28	175765	Rod, Parking Brake	151	19133210	Washer 13/32 x 2 x 10 Ga.
29	71673	Cap Brake Parking	202	72110614	Bolt Carr Sh 3/8-16 x 1-3/4 Gr. 5
30	169592	Bracket, Transaxle	212	145212	Nut HexFlange Lock
32	74760512	Bolt Hex Hd 5/16-18 Unc x 3/4	214	174735	Link Transaxle
34	175578	Shaft, Foot Pedal	215	175646	Cover Pedal Forward
35	120183X	Bearing, Nylon	217	179433	Pedal Reverse Asm. w/Pad
36	19211616	Washer	218	174713	Arm Control Pedal Reverse
37	1572H	Pin, Roll	219	174839	Bracket Frest Pdl Ctrl. Hyd
38	179114	Pulley, Composite	220	174711	Bracket Mtg. Pedal Control
39	74760648	Bolt Fin Hex 3/8-16 Unc x 3	221	STD533707	Bolt Rdhd Sqnk 3/8-16 x 3/4
41	175556	Keeper, Belt Idler Flat	222	73680700	Nut Crownlock 7/16-14 Unc
47	127783	Pulley, Idler, V-Groove	223	174840	Washer Nylon 11/16 ID x .060
48	154407	Bellcrank Clutch Grnd Drw Stl	224	174736	Pedal Forward
49	123205X	Retainer, Belt	225	174712	Arm Control Pedal Forward
50	72110612	Bolt	226	174902	Bolt Pivot Spacer
51	73680600	Nut Crownlock 3/8-16 Unc	227	174710	Cam Reverse Pedal LT
52	73680500	Nut, Crownlock 5/16-18 Unc	228	179032	Bolt Shoulder 5/16-18
53	105710X	Link, Clutch	229	176451	Washer Serrated 5/16 x .75
55	105709X	Spring, Return, Clutch	231	174573	Strap Torque
56	17060620	Screw 3/8-16 x 1-1/4	241	73930400	Nut Centerlock 1/4-20 Unc
57	140294	V-Belt, Ground Drive	244	166880	Screw 5/16-18 x 5/8 Yellow
59	169691	Keeper, Center Span	250	17060612	Screw 3/8-16 x 3/4
61	17120614	Screw 3/8-16 x .875	251	17060516	Screw 5/16-18 x 1
62	8883R	Cover, Pedal	253	179422	Washer .3125 x .615 x 16 Ga.
63	175410	Pulley, Engine	254	178062	Clip Retainer
64	71170764	Bolt Hex 7/16-20 x 4 Gr.5			
65	10040700	Washer			
66	154778	Keeper Belt Engine			

NOTE: All component dimensions given in U.S. inches
1 inch = 25.4 mm

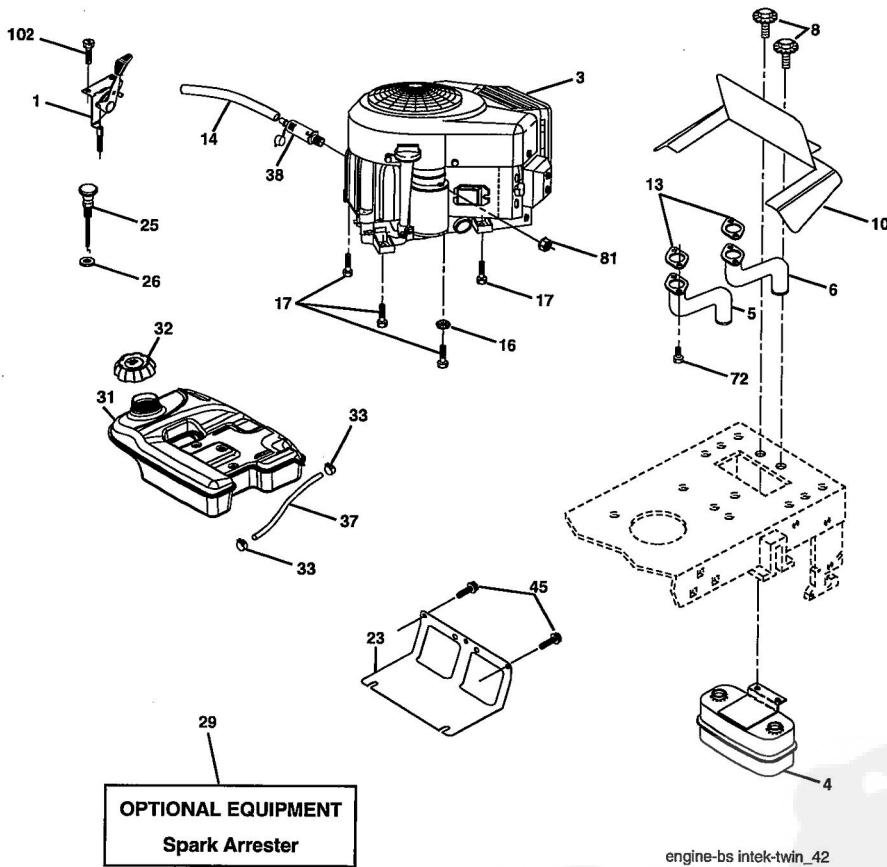
MODEL NUMBER 917.273461



KEY NO.	PART NO.	DESCRIPTION
1	159944X428	Steering Wheel
2	184706	Front Axle Assembly
3	169840	Spindle Assembly, L.H.
4	169839	Spindle Assembly, R.H.
5	6266H	Bearing, Race, Thrust, Hardened
6	121748X	Washer 25/32 x 1-5/8 x 16 Gauge
8	12000029	Ring, Klip
10	175121	Link, Drag
11	STD551137	Washer, Lock
12	73940800	Nut Hex Jam Toplock 1/2-20 Unf
13	136518	Spacer, Bearing, Front Axle
15	145212	Nut, Hexflange Lock
17	180641	Shaft Assembly, Steering
29	17060612	Screw 3/8-16 x 3/4
32	171888	Rod, Tie
33	19111216	Washer 11/32 x 3/4 x 16 Ga.
34	STD551131	Washer Lock Hvy Hlcl Spr. 5/16
35	73540500	Crownlock Nut 5/16-24 Unf
36	155099	Bushing, Steering
37	152927	Screw TT #10-32 x 5 x 3/8 Flange
38	159946X428	Insert, Steering Wheel
39	19182411	Washer 9/16 x 1-1/16 x 11 Gauge
40	STD541537	Lock Nut Center 3/8-24 Unf
41	159945	Adaptor, Steering Wheel
42	145054X428	Boot, Steering Dash P/L Mtl Blk
43	121749X	Washer 25/32 x 1-1/4 x 16 Gauge
44	180640	Extension Steering
46	184946X505	Cap, Spindle
51	73540400	Nut Crownlock 1/4-28
54	71130420	Bolt Hex 1/4-28 x 1 1/4
65	160367	Spacer Brace Axle
67	72140618	Bolt Rhnd Sq 3/8-16 x 2-1/4
68	169827	Brace Axle
71	175146	Steering Asm
82	169835	Bracket Susp Chassis Front
87	173966	Washer Flat .781 x 1-1/2 x .14
88	175118	Bolt Shoulder 7/16-20
91	175553	Clip Steering

NOTE: All component dimensions given in U.S. inches
1 inch = 25.4 mm

MODEL NUMBER 917.273461



engine-bs intek-twin_42

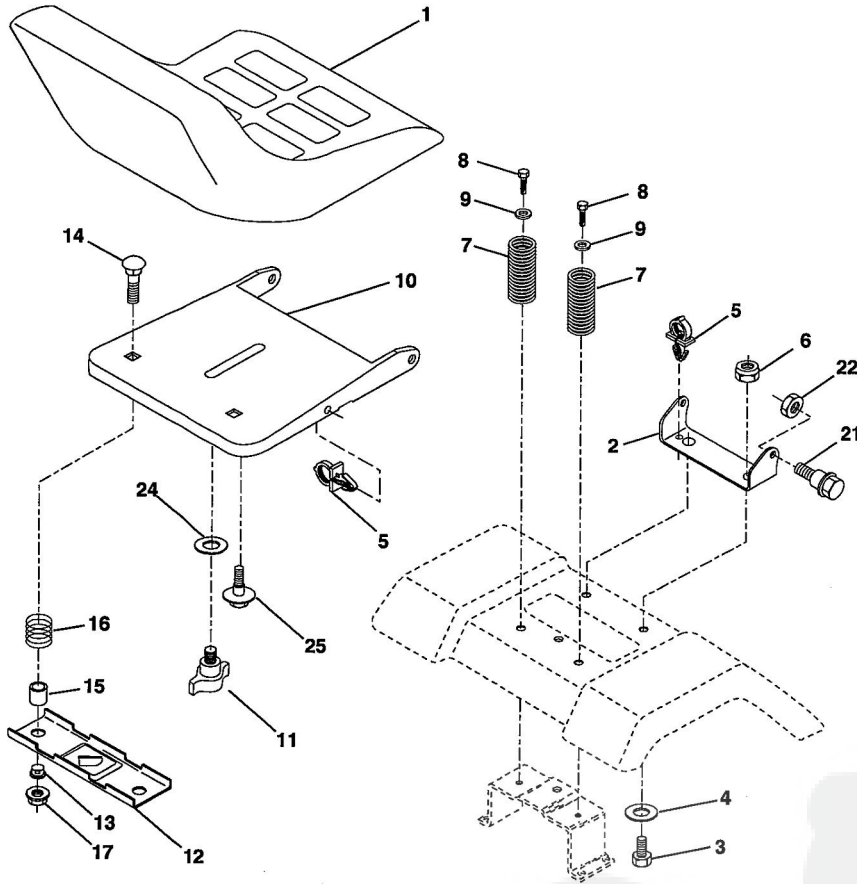
KEY PART NO. NO.

KEY PART NO.	NO.	DESCRIPTION
1	170546	Control Throt Paddle
3	-----	Engine (See Breakdown) Briggs Model No. 446777-0246-E1
4	149723	Muffler Exhaust
5	159955	Exhaust Asm. Left
6	160589	Exhaust Asm. Right
8	171877	Bolt 5/16 - 18 Unc x 3/4 W/Sems
10	162797	Heat Shield Lt
13	165391	Gasket Muffler
14	148456	Tube, Drain Oil Easy
16	STD551237	Washer Lock Ext Tooth 3/8
17	17060624	Screw 3/8-16 x 1-1/2 Tytt
23	169837	Shield Browning/Debris Guard
25	145996	Control Choke
26	73920600	Nut Keps 3/8-24 Unf

KEY PART NO. NO.

KEY PART NO.	NO.	DESCRIPTION
29	137180	Arrestor Spark
31	179022	Tank Fuel
32	179124X428	Cap Fuel
33	123487X	Clamp Hose Blk
34	106082X	Spacer Pad
37	8543R	Line Fuel
38	181654	Plug, Drain Oil Easy
39	109227X	Pad Idler 1.75 x .75 x .06
45	17000612	Screw Hex Wsh Thdrol 3/8-16 x 3/4
72	183906	Screw Socket Head 5/16-18 x 1
81	73510400	Nut, Keps 1/4-20 Starter Nut
102	17720408	Screw Hex Thd Cut 1/4-20 x 5/8

NOTE: All component dimensions given in U.S. inches
1 inch = 25.4 mm

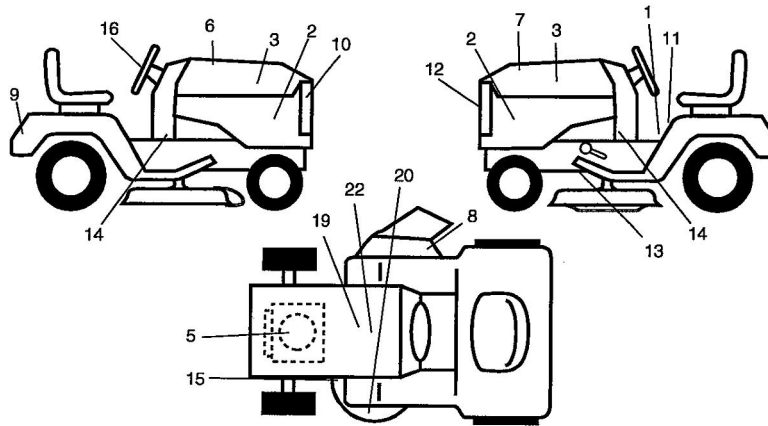


KEY PART NO.	NO.	DESCRIPTION
1	180597	Seat
2	180166	Bracket Pnt Pivot Seat
3	71110616	Bolt Fin Hex 3/8-16 Unc x 1
4	19131610	Washer 13/32 x 3/4 x 10 Ga
5	145006	Clip Push In Hinged
6	STD541437	Nut Hex Lock w/Ins 3/8-16 Unc
7	124181X	Spring Seat Cprsn 2 250 Blk Zi
8	17000616	Screw 3/8-16 x 1.5 SMGML
9	19131614	Washer 13/32 x 1 x 14 Ga
10	180186	Pan Pnt Seat
11	166369	Knob Seat
12	121246X	Bracket Pnt Mounting Switch

KEY PART NO.	NO.	DESCRIPTION
13	121248X	Bushing Snap Blk Nyl 50 Id
14	72050412	Bolt Rdhd Sht Nk 1/4-20 x 1-1/2
15	134300	Spacer Split 28 x 96 Zinc
16	121250X	Spring Cprsn 1 27 Blk Pnt
17	123976X	Nut Lock 1/4 Lge Fig Gr 5 Zinc
21	171852	Bolt Shoulder 5/16-18 Unc-2A
22	STD541431	Nut Hex Lock w/Ins 5/16-18
24	19171912	Washer 17/32 x 1-3/16 x 12 Ga.

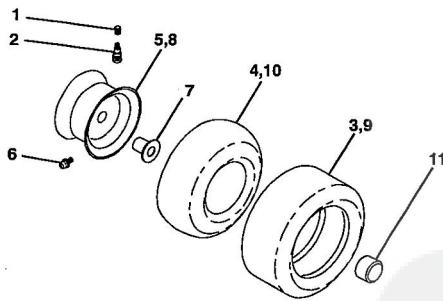
NOTE: All component dimensions given in U.S. inches
1 inch = 25.4 mm

MODEL NUMBER 917.273461



KEY PART NO.	PART NO.	DESCRIPTION	KEY PART NO.	PART NO.	DESCRIPTION
1	156439	Decal Fender Danger Sear	14	182136	Decal Dash Panel
2	186367	Decal Hood Side	15	160396	Decal Mower Drive Schematic
3	186366	Decal Hood	16	164065	Decal Steering
5	186463	Decal Engine H/P	19	138047	Decal, Battery Diehard Sears
6	133644	Decal Maint Customer Sears Dom	20	172331	Decal Deck Mower EZ3
7	186449	Decal Replacement Srs	22	149516	Decal Battery
8	179128	Decal Deck	--	169210	Decal By Pass Lt Hydro
9	186572	Decal Fender Craftsman	--	138311	Decal Lift Handle
11	177955	Decal Fender STLTH Oper Inst E/S	--	174998X428	Pad Footrest Lh STL
13	146046	Decal V-belt Dr Sch Tractor E	--	175542X428	Pad Footrest Rh STL
			--	187179	Manual, Owner's (English)
			--	187180	Manual, Owner's (Spanish)

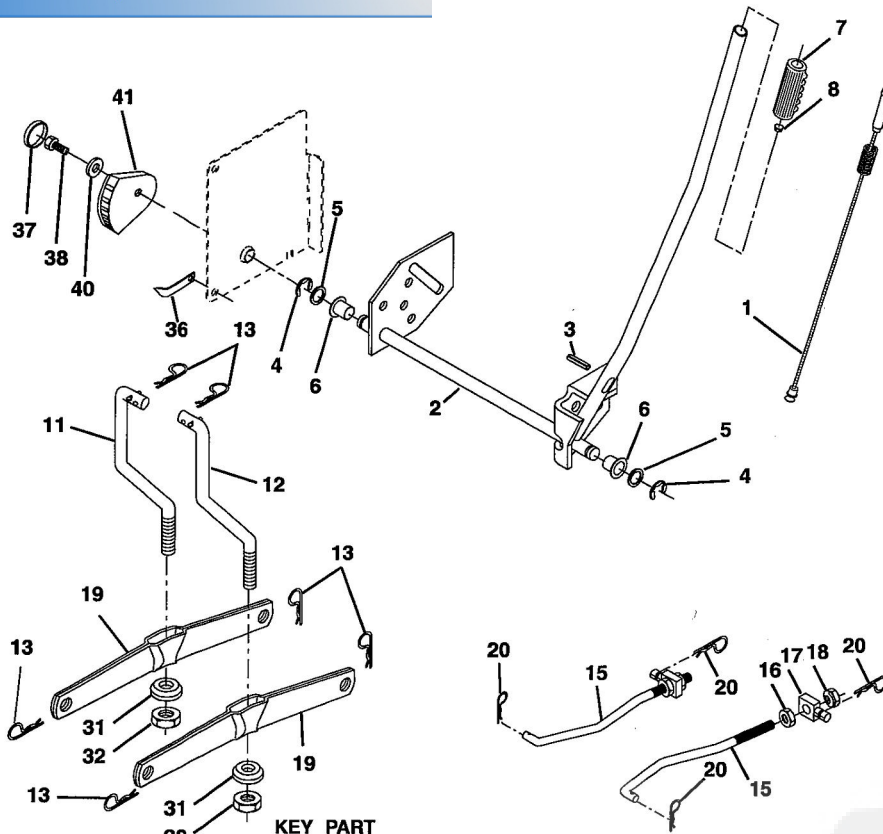
WHEELS & TIRES



KEY PART NO.	PART NO.	DESCRIPTION
1	59192	Valve Cap, Tire
2	65139	Stem, Valve
3	177750	Tire, Front
4	59904	Tube, Front Tire (Not Provided, Service Item Only)
5	106732X624	Rim, Front
6	278H	Fitting, Grease (Front Wheel Only)
7	9040H	Bearing, Flange (Front Wheel Only)
8	106108X624	Rim, Rear
9	177751	Tire, Rear
10	7152J	Tube, Rear Tire (Not Provided, Service Item Only)
11	104757X428	Cap, Axle
--	144334	Sealant, Tire (10 oz. Tube)

NOTE: All component dimensions given in U.S. inches
1 inch = 25.4 mm

EL NUMBER 917.273461



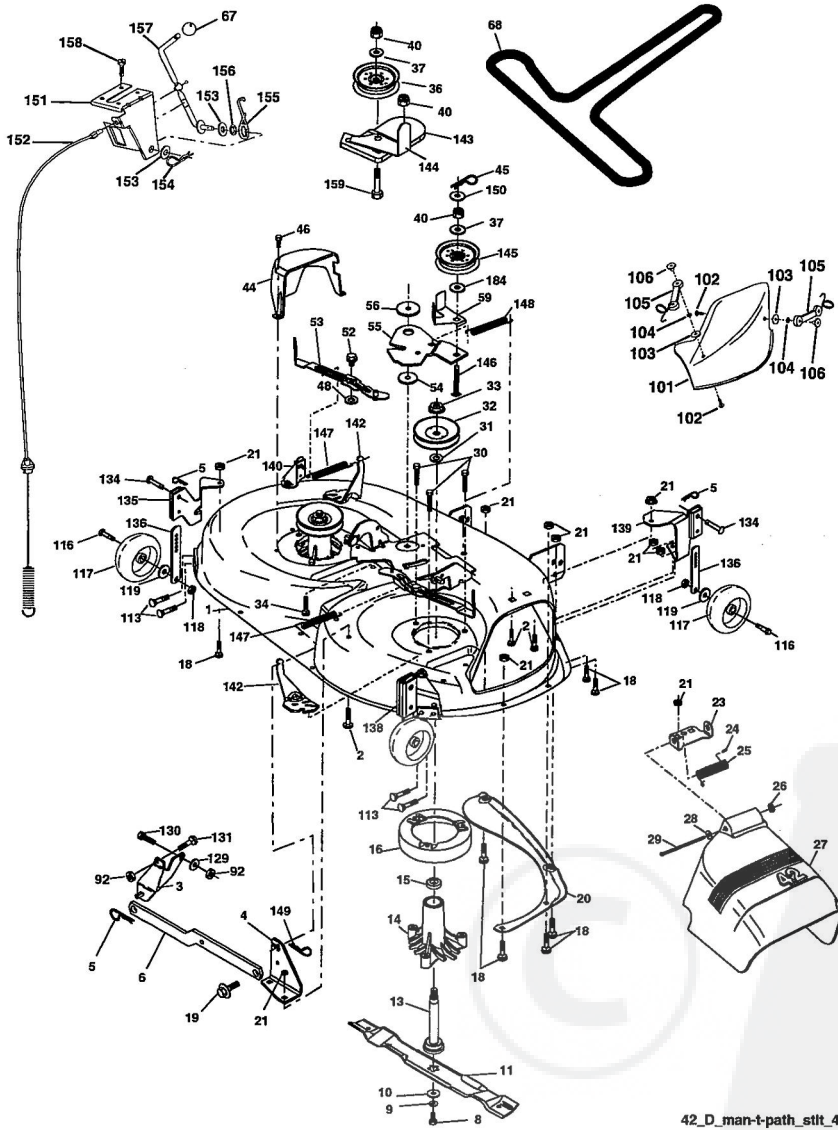
KEY PART NO. NO.

KEY PART NO.	NO.	DESCRIPTION
1	159460	Lift Lever Inner Wire Asm.
2	159471	Shaft Asm. Lift
3	105767X	Pin Groove
4	12000002	E Ring
5	19211621	Washer 21/32 x 1 x 21 Ga.
6	120183X	Bearing Nylon
7	125631X	Grip Handle Fluted
8	122365X	Button Plunger Read
11	139865	Link Asm Lift L.H.
12	139866	Link Asm Lift R.H.
13	STD624008	Retainer Spring
15	173288	Link Front
16	73350800	Nut Jam Hex 1/2-13 Unc
17	175689	Trunnion
18	73800800	Nut Lock w/Wsh 1/2-13 Unc
19	139868	Arm Suspension Mower
20	163552	Retainer Spring
31	169865	Bearing, Pvt. Lift. Tapered
32	73540600	Nut Crownlock 3/8-24
36	155097	Pointer Height Indicator
37	123935X	Plug
38	17060516	Screw 5/16-18 x 1
40	19112410	Washer 11/32 x 1-1/2 10 Ga.
41	155098	Indicator Height

DESCRIPTION

NOTE: All component dimensions given in U.S. inches
1 inch = 25.4 mm

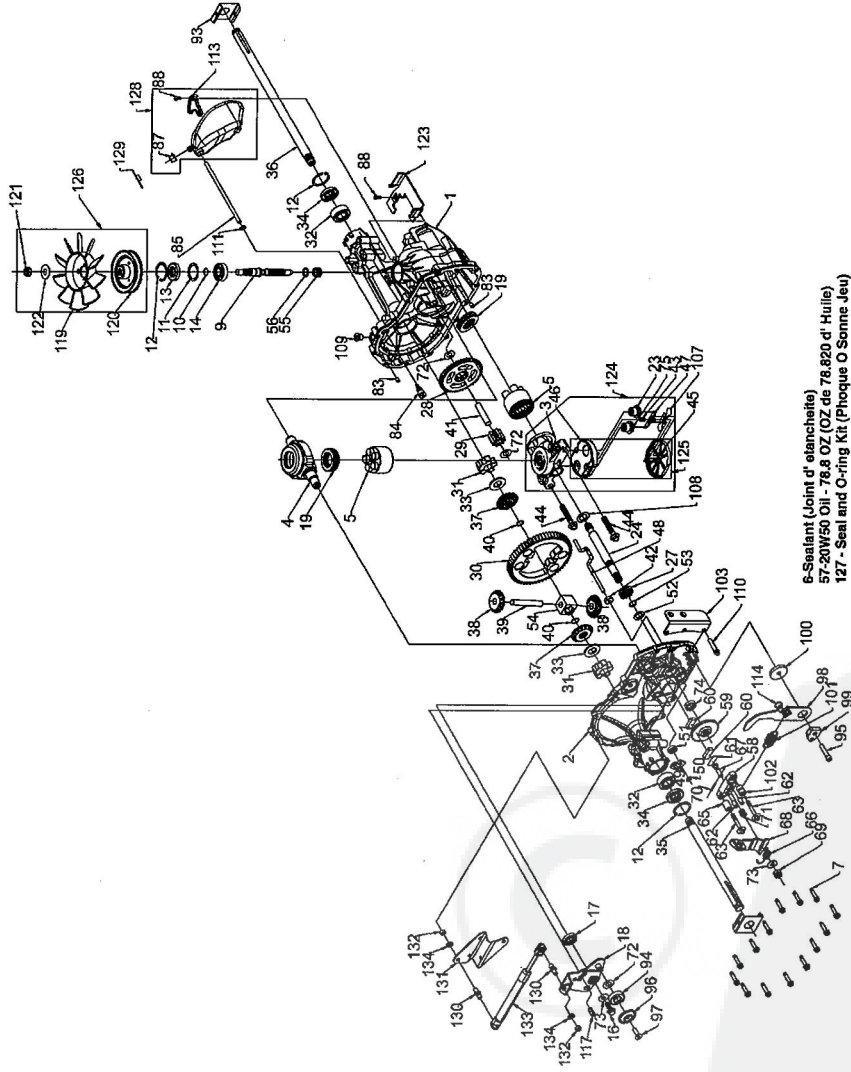
MODEL NUMBER 917.273461



KEY NO.	PART NO.	DESCRIPTION	KEY NO.	PART NO.	DESCRIPTION
1	182032	Mower Housing	92	STD541437	Locknut, Hex W/Wsh 3/8-16 Unc
2	STD533107	Bolt	101	136420	Cover Mulching 42" Black
3	138017	Bracket Assembly,Sway Bar, Front	102	71081010	Screw Truss Hd Phil10-24 x 5/8
4	165460	Bracket Sway Bar 38/42"	103	19061216	Washer #10
5	STD624008	Retainer Spring	104	STD551110	Washer Lock
6	178024	Bar Sway Deck	105	160793	Latch Asm Bagger
8	850857	Bolt, Hex 3/8-24 x 1.25 Gr. 8	106	2029J	Nut Weld
9	STD551137	Washer, Lock	113	17060510	Screw 5/16-18
10	140296	Washer, Hardened (The following blades are available)	116	184219	Bolt, Shoulder
11	134149	Blade, 42" Mulching STD (For mulching mowers only)	117	174873	Wheel, Gauge
11	139775	Blade, 42" Mulching Premium (For better wear when mulching)	118	73930600	Nut, Crownlock 3/8-1
11	138971	Blade, 42" Hi-Lift (For bagging or discharge)	119	19121414	Washer 13/32 x 7/8 x 14 Ga.
13	137645	Shaft Assembly, Mandrel, Vented (Incl. Key Number 6)	129	19131312	Washer 13/32 x 13/16 x 12 Ga.
14	128774	Housing, Mandrel, Vented	130	STD523710	Bolt, Fin Hex 3/8-16 Unc x 1Gr 5
15	110485X	Bearing, Ball, Mandrel	131	STD533710	Bolt Rdhd Sqkn 3/8-16 Unc x 1
16	174493	Stripper, Mower Deck	134	156941	Pin Head Rivet
18	72140505	Bolt, Carriage 5/16-18 x 5/8	135	159765	Bracket Asm. Wheel Gauge Rear LH
19	132827	Bolt, Shoulder	136	155986	Bar Adj. Gauge Wheel
20	159770	Baffle, Vortex	138	159763	Bracket Asm. Wheel Gauge Rear RH
21	STD541431	Nut, Crownlock 5/16-18 Unc	139	159767	Bracket Asm. Wheel Gauge Front RH
23	177563	Bracket, Deflector	140	159768	Bracket Asm. Wheel Gauge Front LH
24	105304X	Cap, Sleeve	142	165890	Arm Spring Brake Mower
25	123713X	Spring, Torsion, Deflector	143	157109	Bracket Arm Idler 42"
26	110452X	Nut, Push	144	158634	Keeper Belt 42" Clutch Cable
27	130968X428	Shield, Deflector	145	165888	Pulley Idler Flat
28	19111016	Washer 11/32 x 5/8 x 16 Ga.	146	171977	Bolt Carriage Idler
29	131491	Rod, Hinge	147	131335	Spring Extension
30	173984	Screw Thdrol Rolling Wsh Hd	148	169022	Spring Return Idler
31	129963	Washer, Spacer	149	165898	Retainer Spring Yellow Zinc
32	153535	Pulley, Mandrel	150	19091216	Washer 9/32 x 3/4 x 16 Ga.
33	178342	Nut, Toplock, Flanged	151	169670	Bracket Clutch
34	STD533717	Bolt	152	169676	Cable Clutch 42"
36	131494	Pulley, Idler, Flat	153	169674	Washer flat 3/8" Type B
37	19131316	Washer 13/32 x 13/16 x 16 Ga.	154	169675	Spring Retainer
40	STD541437	Nut, Crownlock 3/8-16 Unc	155	169671	Spring Retention Lever
44	140088	Guard, Mandrel, L.H.	156	169672	Spacer
45	STD624003	Retainer	157	169669	Rod Clutch
46	137729	Screw, Thd. Roll 1/4-20 x 5/8	158	17720408	Screw Hex Thd Cut 1/4-20 x 5/8
48	133944	Washer, Hardened	159	STD533717	Bolt Rdhd Sqkn 3/8-16 Unc x 1-3/4
52	139888	Bolt, Shoulder 5/16-18 Unc	184	19131410	Washer 3/8
53	184907	Arm Assembly, Pad, Brake	--	130794	Mandrel Assembly (Includes housing, shaft and shaft hardware only-pulley not included)
54	178515	Washer, Hardened	--	186917	Replacement Mower, Complete
55	155046	Arm, Idler			
56	165723	Spacer, Retainer			
59	141043	Guard, Tuv Idler (94)			
67	149846	Knob Custom Oval			
68	144959	V-Belt			

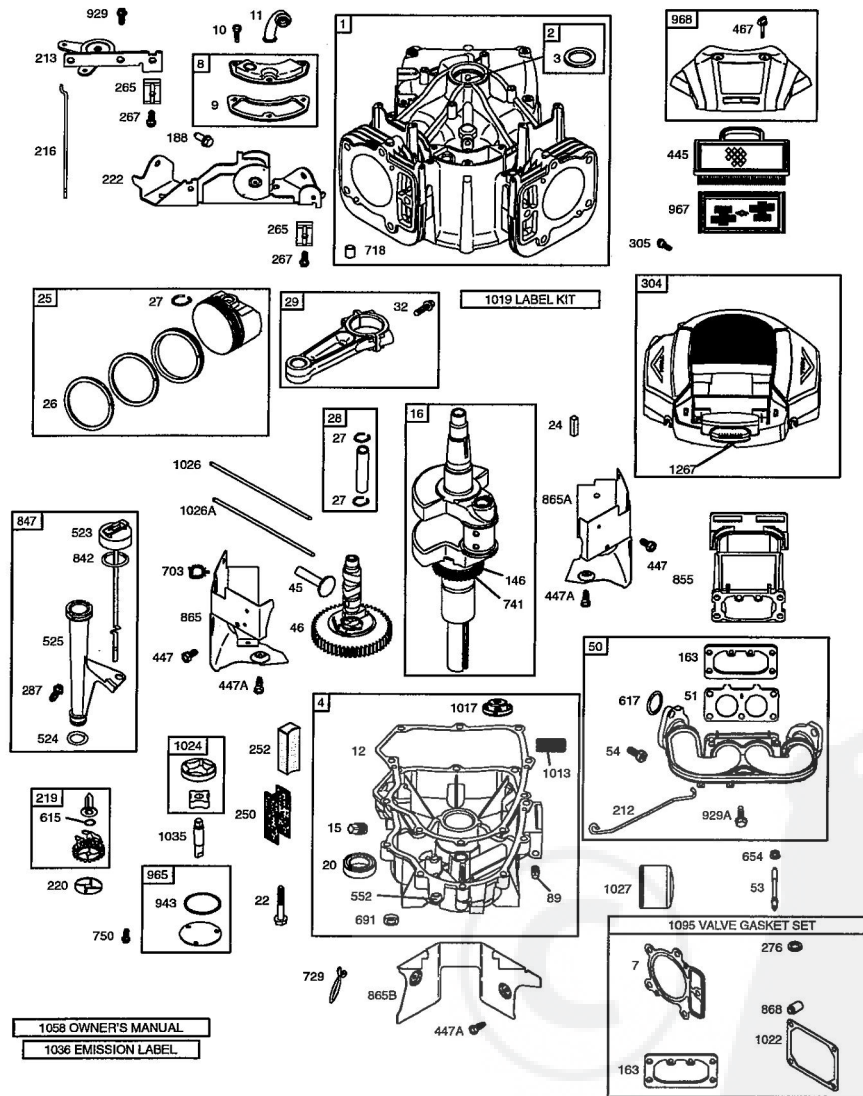
NOTE: All component dimensions given in U.S.inches
1 inch = 25.4 mm

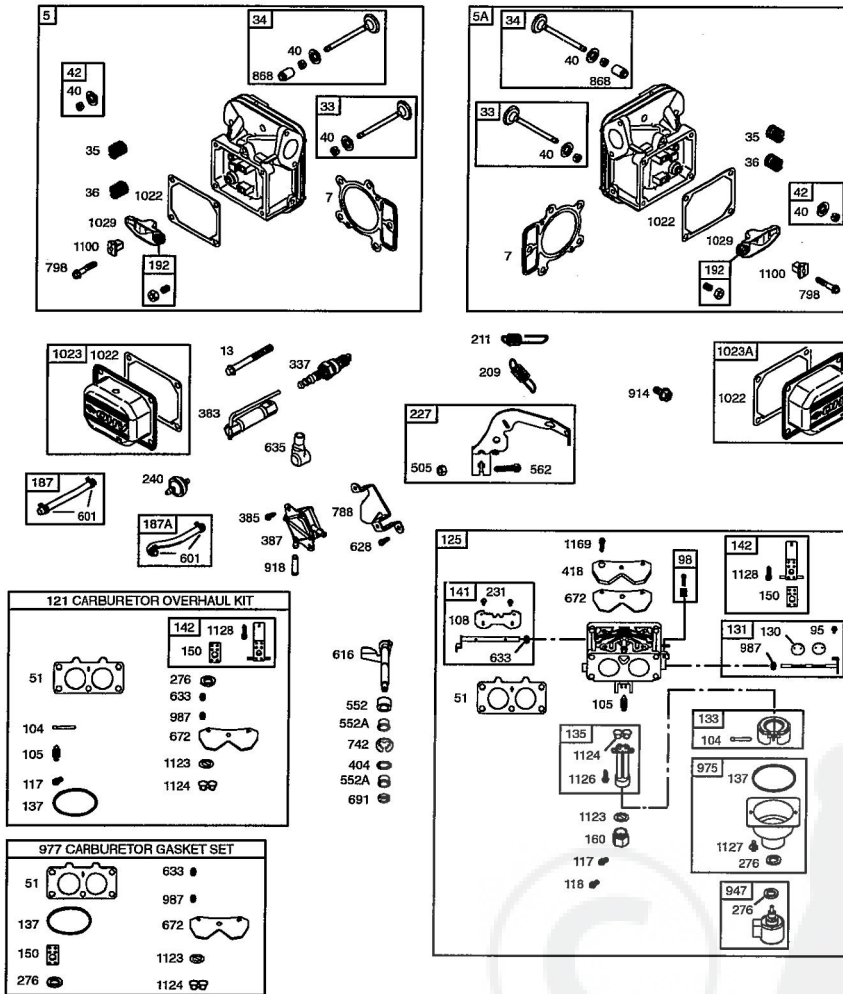
MODEL NUMBER 917.273461
REL NUMBER 336-0510



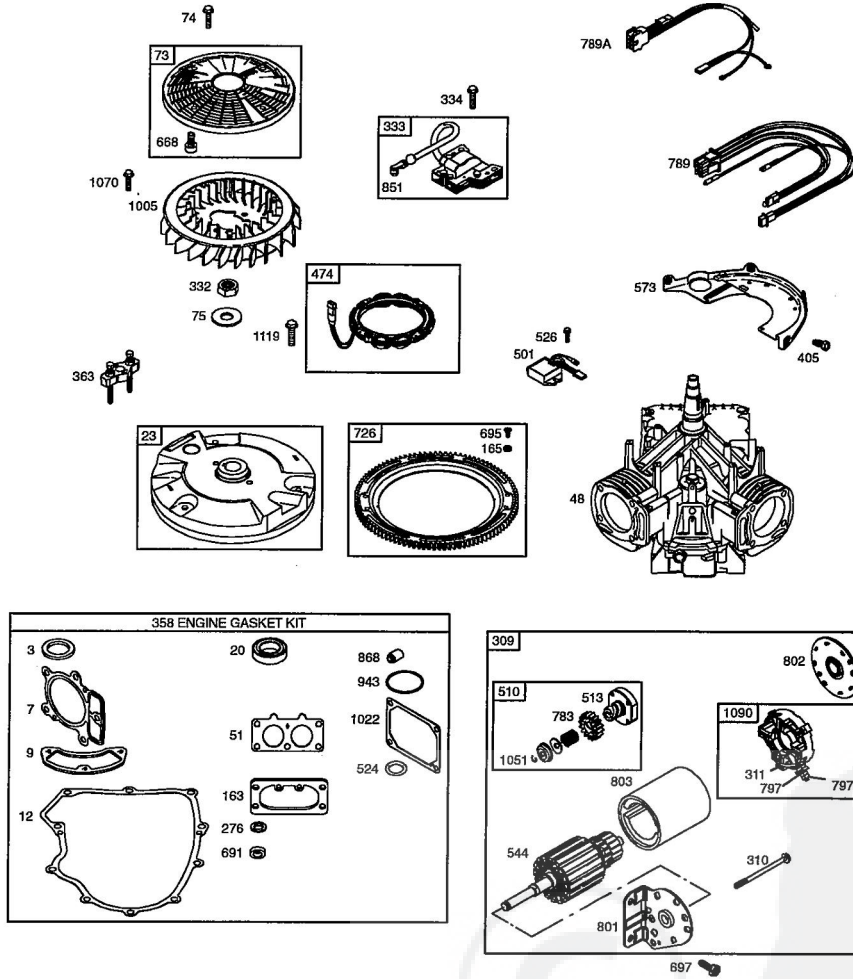
KEY NO.	PART NO.	DESCRIPTION	KEY NO.	PART NO.	DESCRIPTION
1	170351	Main Housing, Assembly	68	178782	Arm, Brake
2	170352	Side Housing, Assembly	69	170415	Slotted Hex Nut 5/16-24
3	170353	Center Section, Assembly	70	170416	Cotter Pin 3/32 X 3/4
4	170354	Swashplate, Trunion Machined	71	170417	Compression Spring Brake Anti- Drag
5	169898	Block - Assembly	72	170418	Washer, Ht .5 I.D. X 1 O.D. X .032
6	170355	Sealant 10.5 Oz	73	142884	Flat - Washer 11/32 I.D. X 7/8 O.D
7	170356	Hex Flange Screw 1/4-20 X 1.25	74	170419	Oil Seal .625 X 1.0 X .25
8	170357	Stud, 5/16-24 Hex Double End	75	170420	Check Plug Assembly, .027, Washer
9	170358	Shaft, Input	76	170421	Stud, 5/16-24 Friction Pack
10	170359	Ring - Retaining	77	170422	Puck, .330 X 1.50 X .0975
11	170360	Spacer	78	142969	Spring, Helical Comp
12	169870	Ring - Retaining	79	142980	Spacer
13	170361	Seal, Lip .67 X 1.58 X .276	80	150778	Hex Lock Nut 5/16-24Unjif(Nylon Insert)
14	169869	Ball Brg 17mm Id X 40mm Od X 12mm	81	170423	Wedge, Friction Pack
16	170362	Hex Flange Head Screw 5/16- 24X0.75	82	170424	Clip, Washer .316x1.50x.1046 (Plated)
17	170363	Lip Seal 18 X 32 X 7	83	161168	Pin, Standard Headless
18	178781	Arm, Control	84	170425	Fitting, 5/16 Sae 5/32 Tube
19	150771	Bearing, 30x52x13 Thrust	85	170426	Hose, Expansion Tank
23	170365	Check Plug Assembly, Washer	87	142917	Cap - Poppet Valve
24	170366	Shaft, Motor	88	170429	Bolt, Self Tapping 10-32 X 1/2
27	170367	Gear - Pinion, 13t	90	170430	Puck, Inner Wedge
28	170368	10t/48t Gear	93	170431	Spring Clip - Housing Thrust
29	170369	Gear, 10t Jackshaft	94	178783	Bearing, Ball
30	170370	60t Bull Gear	95	178784	Screw, Socket Head Cap 5/16- 24X1-1/2
31	170371	Sleeve Bearing .75 X 1.575 X .625	96	178786	Spacer, Locating
32	170389	SleeveBearing(Outboard) .75x1.750x.625	97	178787	Screw, SFHCS 5/16-18 X1
33	142991	Washer, 3/4 Id X 1-1/2 Od X .13 Thk	98	178789	Arm Return
34	170390	Lip Seal Axle Seal	99	178792	Puck, Adjusting
35	170391	Shaft, Axle .75 X 11.39 (Key, R.H.)	100	178793	Washer, .24 ID X 1.60 OD X 239
36	170392	Shaft, Axle .75 X 16.99 (Key, L.H.)	101	178794	Spring, Extension
37	150792	Miter Gear (Splined)	102	178795	Spacer .260 ID X .560 OD X .870
38	150793	Miter Gear 15t (0.5 Id)	103	178796	Bracket, Torque
39	150809	Shaft	107	170432	Deflector
40	170393	Ring, Spiral Retaining	108	170433	Washer, Motor Shaft .71Idx1.150dx.030thk
41	170394	Pin, Jackshaft	109	170434	Plug, Sae #6
42	170395	Magnet, Ring	111	170435	O-Ring .07 X .301 I.D.
43	170396	Spring, Bypass	113	170437	Bracket, Support Expansion Tank
44	150797	Hydro Mtg Screw 3/8-24 X 2.5 Long	114	178797	Spring
45	170397	Filter	116	170438	Silicon Sponge
46	170398	Base, Filter	117	178799	Pin, Spring
47	170399	Actuator, Bypass	119	170439	Fan, 7 in.
48	170400	Rod, Bypass Actuator	120	170440	Pulley
49	170401	Arm, Bypass	121	170441	Hex Lock Nut 1/2-20 (Nylon Insert)
50	170402	Retaining Ring .250 External	122	170442	Washer, Belleville
51	170403	Seal, Lip .741 X .250 X .250 Tc	123	178800	Belt Keeper
52	170404	Flat Washer, 5/8 Id X 1.0 Od X .05 Thk	124	170444	Center Section-Filter-Bypass Assembly
53	170405	Retaining Ring	125	170445	Filter Assembly
54	170406	Bearing, Center Block	126	170446	Fan - Pulley Service Assembly
55	142977	Spring - Helical Compression	127	170447	Seal - O-Ring Kit
56	142978	Washer	128	173165	Kit, Expansion Tank
57	150798	20w-50 Oil	130	178802	Stud Ball
58	170407	Brake Yoke	131	178803	Bracket, Cruise Damper
59	170408	Rotor, Brake	132	178804	Hex Nut 5/16-18 NC
60	142883	Brake Puck	133	184227	Damper
61	142882	Puck Plate	134	178808	Washer, Helical Spring Lock 5/16
62	142887	Brake Actuating Pin	900	173839	Transaxle Complete
63	170410	Hfhcs 1/4-20x2 W/ Patch, Special Flange			
64	142892	Bolt, 1/4-20 X 1 W/Patch			
65	170411	Spacer			
66	170412	Spring, Brake Arm Bias			
67	170413	Sq. Hd. Bolt 5/16-24-Ribbed			

NOTE: All component dimensions given in U.S. inches
1 inch = 25.4 mm





MODEL NUMBER 917.273461
MODEL NUMBER 446777, TYPE NUMBER 0246-E1



MODEL NUMBER 917.273461
DEL NUMBER 446777, TYPE NUMBER 0246-E1

KEY NO.	PART NO.	DESCRIPTION	KEY NO.	PART NO.	DESCRIPTION
363	19203	Flywheel Puller	851	493880	Terminal-Spark Plug
383	19374	Wrench-Spark Plug	855	698072	Adapter-Air
385	690960	Screw (Fuel Pump)	865	691012	Cover-Air Guide
387	808656	Pump-Fuel	865A	691014	Cover-Air Guide
404	690442	Washer (Governor Crank)	865B	691015	Cover-Air Guide
405	697820	Screw (Back Plate)	868	690968	*+ Seal-Valve
418	690999	Plate-Carburetor	914	691127	Screw (Rocker Cover)
445	698754	Filter-Air Cleaner Cartridge	918	694000	Hose-Vacuum
447	691003	Screw (Air Guide Cover)	929	695239	Screw (Choke Control Bracket)
447A	690960	Screw (Air Guide Cover)	929A	691003	Screw (Choke Control Bracket)
467	691008	Knob-Air Cleaner	943	690589	• Seal-O Ring (Oil Pump Cover)
474	696458	Alternator	947	499809	Solenoid-Fuel
501	691185	Regulator	965	499613	Cover-Oil Pump
505	691029	Nut (Governor Control Lever)	967	273638	Filter-Pre Cleaner
510	497606	Drive-Starter	968	698075	Cover-Air Cleaner
513	692024	Clutch-Drive	975	499810	Bowl-Float
523	691036	Dipstick	977	499812	Gasket Set-Carburetor
524	691032	• Seal-Dipstick Tube	987	691000	∅‡ Seal-Throttle Shaft
525	691037	Tube-Dipstick	1005	698760	Fan-Flywheel
526	690960	Screw (Regulator)	1013	690954	Nipple-Oil Filter
544	-----	Armature-Starter (Service with 691262 Starter Motor)	1017	690770	Screen-Oil Pump
			1019	690103	Kit-Label
552	690552	Bushing-Governor Crank	1022	690971	*+ Gasket-Rocker Cover
552A	690553	Bushing-Governor Crank	1023	499599	Cover-Rocker (Cylinder 1)
562	690311	Bolt (Governor Control Lever)	1023A	499600	Cover-Rocker (Cylinder 2)
573	691009	Plate-Back	1024	499054	Pump-Oil
601	691038	Clamp-Hose	1026	690981	Rod-Push (Steel)
615	698290	Retainer-Governor Shaft	1026A	690982	Rod-Push (Aluminum)
616	691045	Crank-Governor	1027	696854	Filter-Oil
617	691917	Seal-O Ring (Intake Manifold)	1029	690972	Arm-Rocker
628	690960	Screw (Fuel Pump Bracket)	1035	691042	Shaft-Pump
633	690998	∅‡ Seal-Choke/Throttle Shaft	1036	695704	Label-Emission
635	66538	Boot-Spark Plug	1051	691265	Ring-Retaining
654	690958	Nut (Carburetor)	1058	275475	Owner's Manual
668	691215	Spacer	1059	698516	Kit-Screw/Washer
672	690234	∅‡ Gasket-Carburetor Plate	1070	691058	Screw (Flywheel Fan)
691	690657	• Seal-Governor Shaft	1090	691293	Retainer-Brush
695	693149	Screw (Ring Gear)	1095	694013	Gasket Set-Valve
697	690372	Screw (Drive Cap)	1100	690973	Pivot-Rocker Arm
703	691010	Clip	1119	691183	Screw (Alternator)
718	690959	Pin-Locating	1123	690987	∅‡ Seal-O Ring (Solenoid Retainer)
726	499612	Gear-Ring	1124	690988	∅‡ Seal-O Ring (Fuel Transfer Tube)
729	694123	Clip-Wire	1126	690991	Screw (Fuel Transfer Tube)
741	690980	Gear-Timing	1127	690992	Screw (Float Bowl)
742	690328	Retainer-E Ring	1128	690990	∅ Screw (Carburetor Nozzle)
750	696999	Screw (Oil Pump Cover)	1169	693140	Screw (Carburetor Cover Plate)
783	693058	Gear-Pinion	1267	698440	Latch-Blower Housing
788	691039	Bracket-Fuel Pump			Low Speed: 1900-2100
789	696576	Harness-Wiring			High Speed: 3000-3200
797	691029	Nut (Brush Retainer)			
797A	693167	Nut (Brush Retainer)			
798	690967	Screw (Rocker Arm)	•		Included in Engine Gasket Set, Key. No. 358
801	691283	Cap-Drive	∅		Included in Carburetor Overhaul Kit, Key. No. 121
802	691286	Cap-End	‡		Included in Carburetor Gasket Set, Key. No. 977
803	-----	Housing-Starter (Service with 691262 Starter Motor)	+		Included in Valve Gasket Set, Key. No. 1095
842	691031	• Seal-Dipstick/Tube			
847	499602	Dipstick/Tube Assembly			

NOTE: All component dimensions given in U.S. inches
1 inch = 25.4 mm