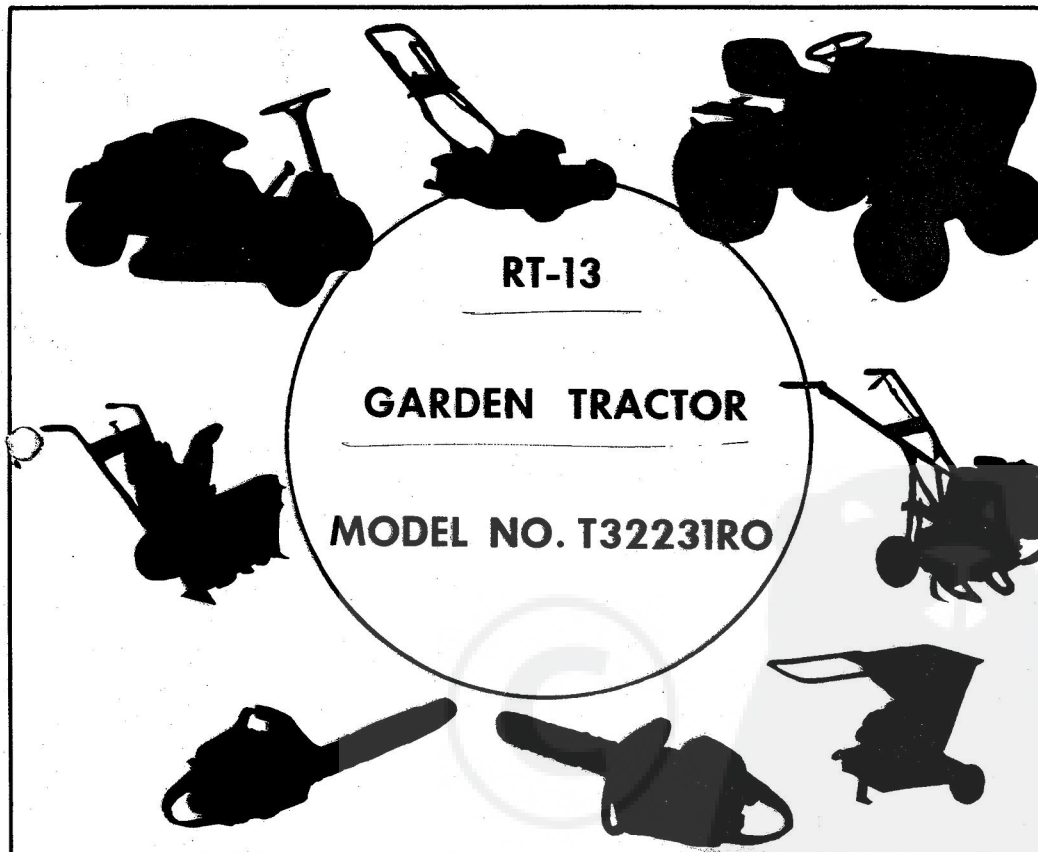


ROPER

OUTDOOR POWER EQUIPMENT OWNER'S MANUAL



CAUTION: Read rules for safe operation and all instructions carefully.

- ASSEMBLY
- OPERATING
- MAINTENANCE
- REPAIR PARTS

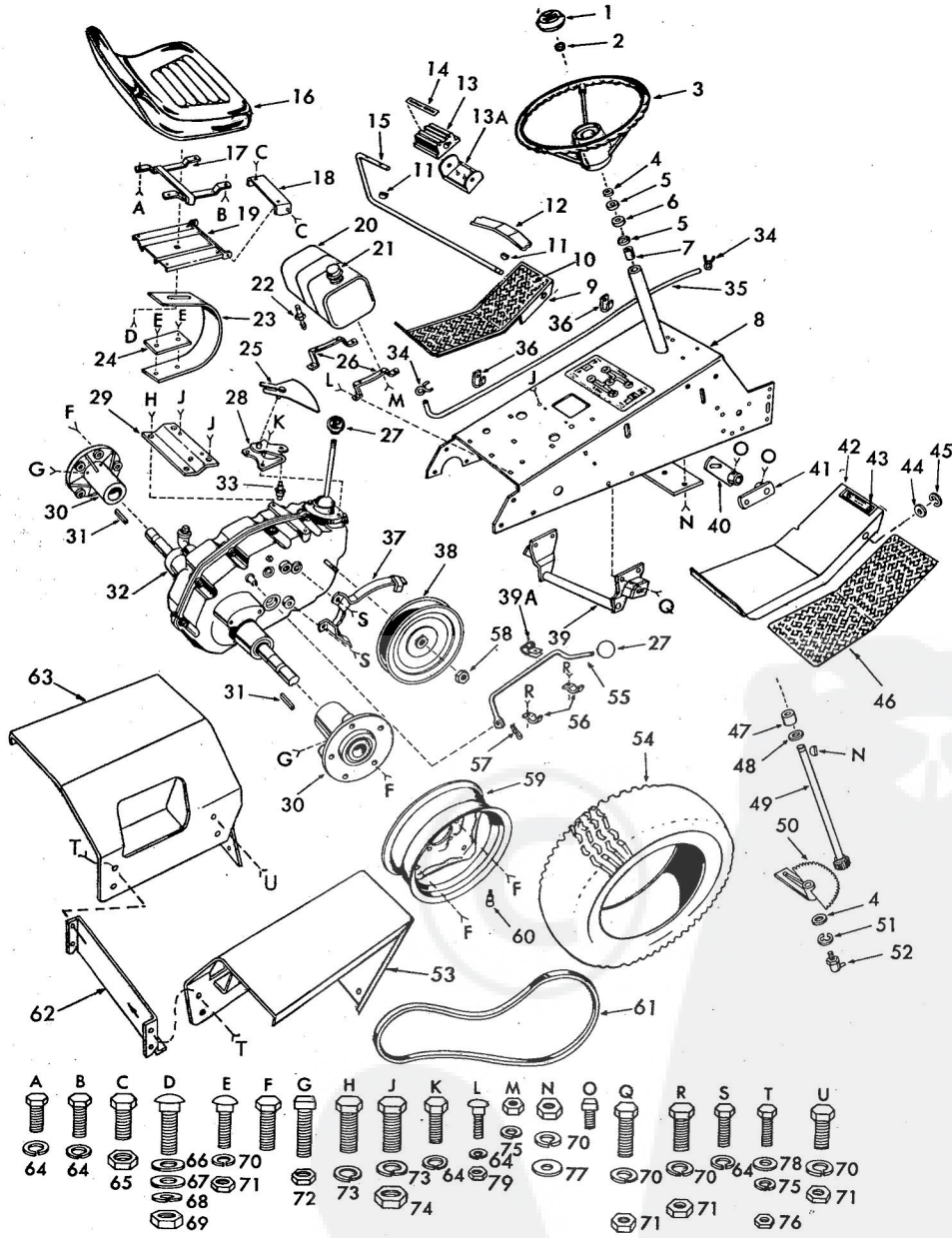
ROPER SALES CORP.

1905 W. COURT ST. / KANKAKEE, ILLINOIS 60901

3678R

repair parts

ROPER RT-13 GARDEN TRACTOR--MODEL NO. T32231RO



3678R-19.3.73

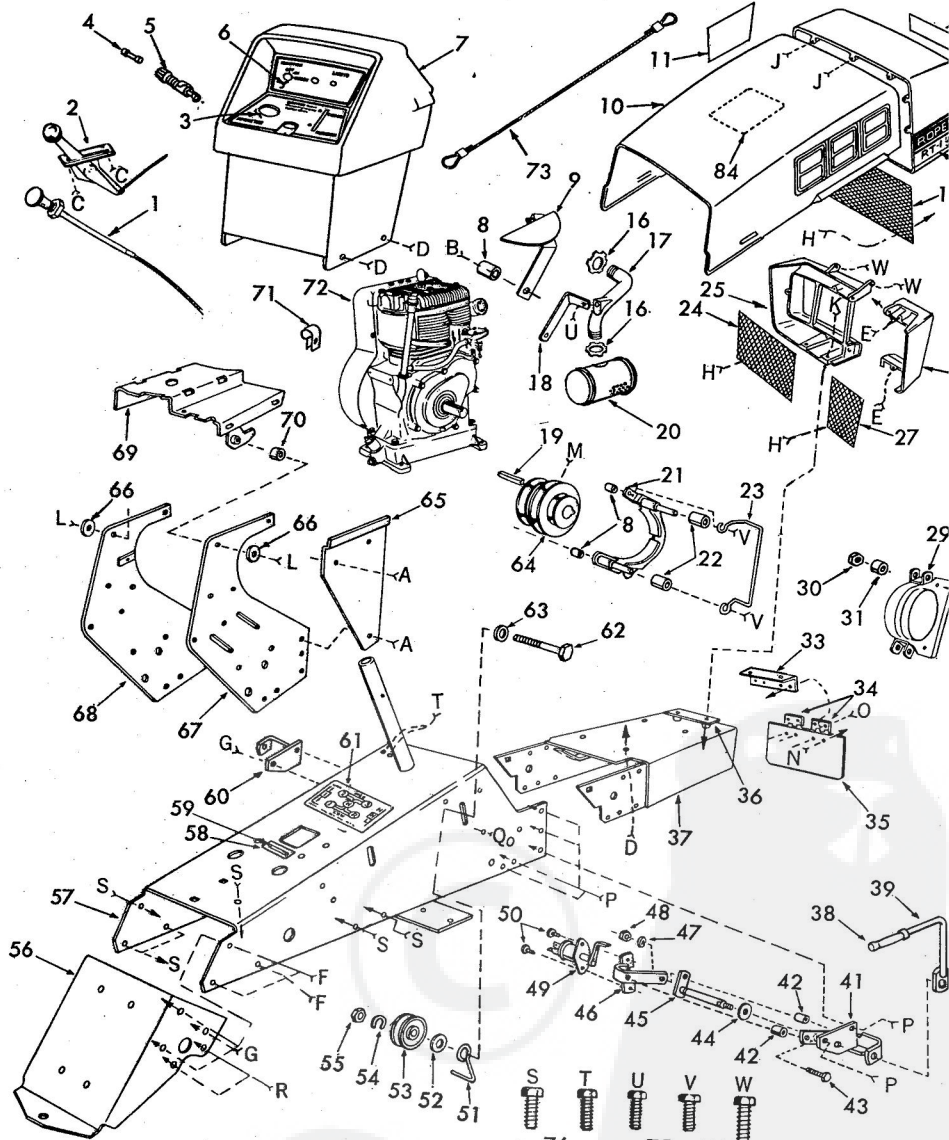
repair parts

ROPER RT-13 GARDEN TRACTOR--MODEL NO. T32231RO

| KEY NO. | PART NO. | DESCRIPTION | KEY NO. | PART NO. | DESCRIPTION |
|---------|----------|-------------------------------|---------|----------|--------------------------------------|
| 1 | 3645R | Steering Wheel Cap | 51 | 5000P | E-Ring |
| 2 | 5003P | E-Ring | 52 | 6842M | Grease Fitting |
| 3 | 3644R | Steering Wheel | 53 | 634A593 | Fender and Insert-R.H. |
| 4 | 1552P | Washer 49/64 x 1 1/4 x 16 Ga. | 54 | 3795R | Rear Tire-Tubeless |
| 5 | 9007H | Cap | 55 | 6477H | Range Shift Rod |
| 6 | 5949H | Rubber Bushing | 56 | 6442H | Shift Rod Bracket |
| 7 | 6468H | Bearing | 57 | 2511P | Cotter Pin 3/16 x 1 |
| 8 | 634A543 | Chassis Ass'y w/Bearings | 58 | 9204H | Locknut 1/2-20 |
| 9 | 634A569 | Foot Rest w/Bolts L.H. | 59 | 7226H | Rear Wheel |
| 10 | 3641R | Foot Rest Pad-L.H. | 60 | 795R | Tire Valve |
| 11 | 9858M1 | Woodruff Key 3/16 x 5/8 | 61 | 2295R | V-Belt (Ground Drive) |
| 12 | 9008H | Spring | 62 | 3625R | Bracket-Tail Light |
| 13 | 1062R | Foot Pedal | 63 | 634A594 | Fender and Insert-L.H. |
| 13A | 8765H | Foot Pedal Bracket | 64 | 1003P | Lockwasher 5/16 |
| 14 | 1244R | Foot Pedal Plate | 65 | 5394H | Locknut 3/8-16 |
| 15 | 8761H | Foot Pedal Shaft | 66 | 1578P | Washer 3/4 x 1-1/8 x 11 Ga |
| 16 | 3566R | Seat | 67 | 1560P | Washer 17/32 x 1 1/2 x 11 C |
| 17 | 634A532 | Seat Bracket Weldment | 68 | 1000P | Lockwasher 1/2 |
| 18 | 2663R | Seat Pivot Bracket | 69 | 502P | Hex Nut 1/2-13 |
| 19 | 634A533 | Seat Plate Weldment | 70 | 1004P | Lockwasher 3/8 |
| 20 | 2693R | Fuel Tank | 71 | 501P | Hex Nut 3/8-16 |
| 21 | 9769H | Fuel Tank Cap and Gauge | 72 | 508P | Hex Jam Nut 3/8-16 |
| 22 | 815R | Fuel Line Fitting | 73 | 1001P | Lockwasher 7/16 |
| 23 | 9712H | Seat Spring | 74 | 500P | Hex Nut 7/16-14 |
| 24 | 8141H | Seat Spring Reinforcement | 75 | 1002P | Lockwasher 1/4 |
| 25 | 634A534 | Neutral Safety Arm Ass'y | 76 | 503P | Hex Nut 1/4-20 |
| 26 | 2650R | Bracket-Fuel Tank | 77 | 1513P | Washer 13/32 x 13/16 x 16 Ga. |
| 27 | 6364H | Control Knob | 78 | 1506P | Washer 9/32 x 5/8 x 16 G |
| 28 | 634A535 | Neutral Safety Support Ass'y | 79 | 504P | Hex Nut 5/16-18 |
| 29 | 6459H | Transmission Bracket | A | 3009P | Hex Bolt 5/16-18 x 5/8 |
| 30 | 8778H | Wheel Hub-Rear | B | 3010P | Hex Bolt 5/16-18 x 3/4 |
| 31 | 8327H | Sq. Key 1/4 x 3 | C | 3022P | Hex Bolt 3/8-16 x 7/8 |
| 32 | 633A38 | Transmission (Transaxle) | D | 25P | Carriage Bolt 1/2-13 x 1 1/4 |
| 33 | 2329R | Less Brake Drum | E | 20P | Carriage Bolt 3/8-16 x 1 |
| 34 | 9772H | Neutral Safety Switch | F | 1304H | Hub Bolt |
| 35 | 2694R | Hose Clamp | G | 4524P | Sq. Hd. Set Screw 3/8-16 |
| 36 | 2751R | Fuel Line | H | 3034P | Hex Bolt 7/16-14 x 1 |
| 37 | 634A22A | Clip-Fuel Line | I | 3034P | Hex Bolt 7/16-14 x 1 |
| 38 | 6461H2 | Belt Guide | J | 3010P | Hex Bolt 5/16-18 x 3/4 |
| 39 | 634A362 | Transmission (Transaxle) | K | 15P | Carriage Bolt 5/16-18 x 5 |
| 39A | 2521R | Pulley | L | 503P | Hex Nut 1/4-20 |
| 40 | 634A33A | Hanger-Rear | M | 501P | Hex Nut 3/8-16 |
| 41 | 626A31A | Insulated Clip | N | 4501P | Sq. Hd. Set Screw C.P. 5/16-18 x 1/2 |
| 42 | 634A570 | Brake Arm Ass'y | O | 3023P | Hex Bolt 3/8-16 x 1 |
| 43 | 2267R | Steering Arm Ass'y | Q | 3022P | Hex Bolt 3/8-16 x 7/8 |
| 44 | 1527P | Foot Rest w/Bolts R.H. | R | 3010P | Hex Bolt 5/16-18 x 3/4 |
| 45 | 5001P | Decal (Attach. Clutch) | S | 3003P | Hex Bolt 1/4-20 x 3/4 |
| 46 | 3642R | Washer 21/32 x 7/8 x 16 Ga. | T | 3021P | Hex Bolt 3/8-16 x 3/4 |
| 47 | 4766H | E-Ring | U | | |
| 48 | 1553P | Foot Rest Pad R.H. | | | |
| 49 | 640A30 | Bearing | | | |
| 50 | 634A95 | Washer 57/64 x 1 1/4 x 16 Ga. | | | |
| | | Steering Shaft & Pinion | | | |
| | | Steering Gear Sector & Arm | | | |

repair parts

ROPER RT-13 GARDEN TRACTOR--MODEL NO. T32231R0



- | | | | | | | | | | | | | | | | | |
|----------|----------|------------|-------------------|--------------------------|------------|------------|----------|----------|------------|-------------------|----------|----------|------------|------------|------------|------------|
| A | B | C | D | E | F | G | H | J | K | L | M | N | O | P | Q | R |
| | | | | | | | | | | | | | | | | |
| | →74 | →75 →80 | →74 →76 →77 | →74 →76 →81 →77 | →76 →77 | →76 →77 | | →85 | →74 →81 | →76 →66 →77 | | →78 | →78 →79 | →76 →77 | →76 →77 | →54 →55 |

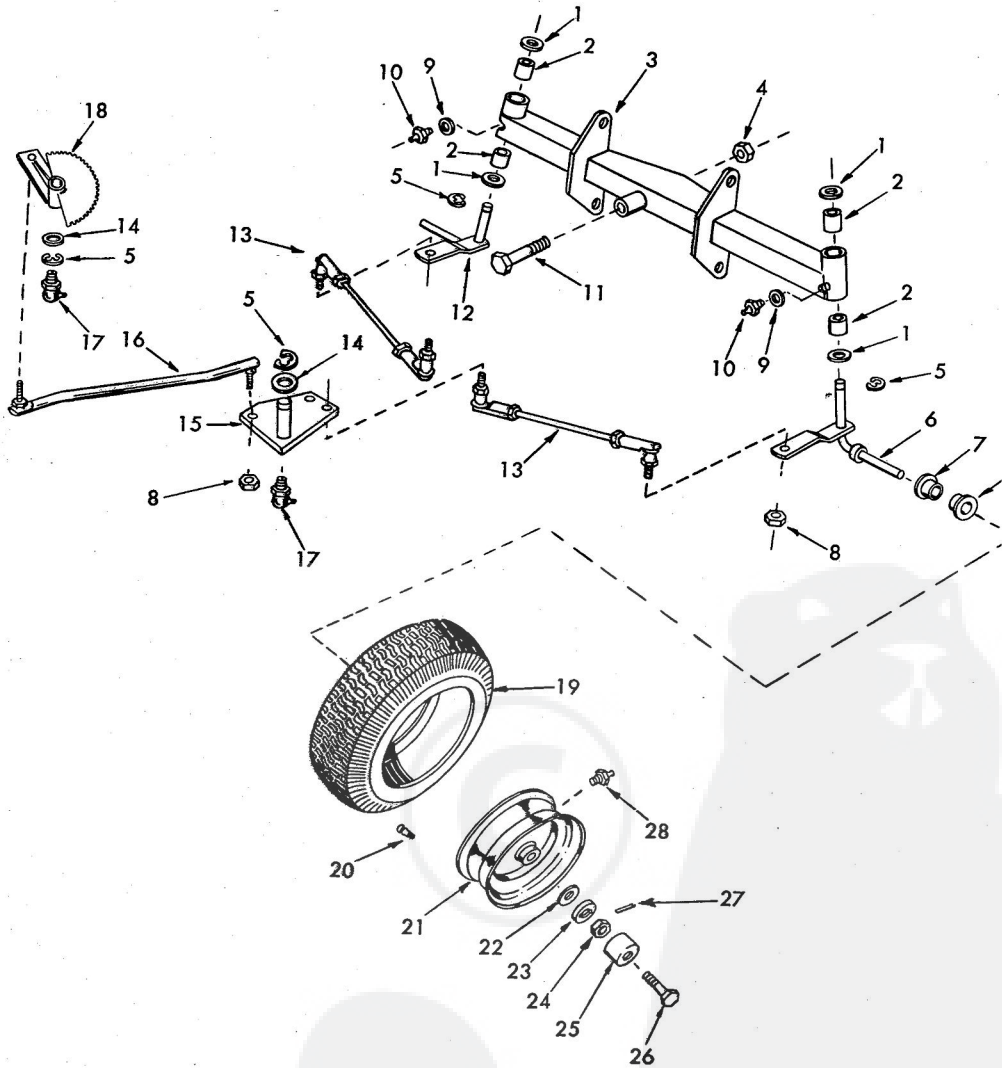
3678R-19.3.73

repair parts

ROPER RT-13 GARDEN TRACTOR--MODEL NO. T32231RO

| KEY NO. | PART NO. | DESCRIPTION | KEY NO. | PART NO. | DESCRIPTION |
|---------|----------|--|---------|----------|--|
| 1 | 9764H | Choke Control | 61 | 2702R | Shift Pattern Plate |
| 2 | 634A416 | Throttle Remote Control | 62 | 3155P | Hex Bolt 7/16-14 x 2½ |
| 3 | 4107R | Decal-Dash Lower | 63 | 1518P | Washer 15/32 x 11/16 x 1/8 |
| 4 | 2212R | Fuse | 64 | 634A404 | Engine Pulley w/Set Scr (Inc. Key Letter M) |
| 5 | 2211R | Fuse Holder | 65 | 1360R | Cover-R.H. |
| 6 | 4106R | Decal-Dash Upper | 66 | 1513P | Washer 13/32 x 13/16 x 1/8 |
| 7 | 4038R | Dashboard | 67 | 1018R | Tank and Battery Support Bracket-R.H. |
| 8 | 2550R | Bushing | 68 | 634A447 | Tank and Battery Support Bracket-L.H. |
| 9 | 634A408 | Heat Shield Weldment | 69 | 634A393 | Battery Support Weldment With Bearing |
| 10 | 634A597 | Hood Weldment | 70 | 8094H | Bearing |
| 11 | 3661R | Decal-Grill-L.H. | 71 | 9776H | Choke Control Clip |
| 12 | 3559R | Scotchcal-Roper | 72 | 302431 | Engine 13 H.P. Briggs & Stratton-Type No. 01380 |
| 13 | 3632R | Grill-Upper | 73 | 3747R | Grill Cable |
| 14 | 3660R | Decal-Grill-R.H. | 74 | 1003P | Lockwasher 5/16 |
| 15 | 3631R | Grill Screen-Upper | 75 | 1002P | Lockwasher ¼ |
| 16 | 9540H | Lock Nut | 76 | 1004P | Lockwasher 3/8 |
| 17 | 648R | Exhaust Pipe | 77 | 501P | Hex Nut 3/8-16 |
| 18 | 4096R | Muffler Support | 78 | 1006P | Lockwasher #10 |
| 19 | 9396E | Sq. Key ¼ x 2 | 79 | 505P | Hex Nut #10-24 |
| 20 | 3870R | Muffler | 80 | 1506P | Washer 9/32 x 5/8 x 16 C |
| 21 | 634A394 | Belt Guide Assembly | 81 | 504P | Hex Nut 5/16-18 UNC |
| 22 | 8704H1 | Spacer | 82 | 1537P | Washer 11/32 x 11/16 x 1/8 |
| 23 | 640R | Belt Retainer | 83 | 1605H | Lock Nut ¼-20 UNC |
| 24 | 2674R | Grill Screen-L.H. | 84 | 2017R | Maintenance Decal |
| 25 | 2677R | Grill-Lower | 85 | 503P | Hex Nut ¼-20 UNC |
| 26 | 2678R | Grill-Side | | | |
| 27 | 2673R | Grill Screen-R.H. | | | |
| 28 | 4939M | Retainer Spring | | | |
| 29 | 634A390 | Belt Guard Weldment | | | |
| 30 | 347H | Huglock Nut | | | |
| 31 | 8238H | Split Spacer | | | |
| 32 | 3154P | Slotted Fillister Hd. Machine Screw ¼-20 x 2¼ | A | 5551P | Hex Washer Hd. Thd. Cu Screw ¼-20 UNC x ½ |
| 33 | 6433H | Front Channel Cover Support | B | 3012P | Hex Bolt 5/16-18 x 1¼ |
| 34 | 6485H | Hinge | C | 503P | Hex Nut ¼-20 |
| 35 | 634A28 | Front Channel Cover and Weld Bolts | D | 3027P | Hex Bolt 3/8-16 x 1½ |
| 36 | 634A409 | Grill Spacer | E | 3010P | Hex Bolt 5/16-18 x ¾ |
| 37 | 634A389 | Engine Mount Assembly | F | 3021P | Hex Bolt 3/8-16 UNC x 1 |
| 38 | 4379H | Handle Grip | G | 3023P | Hex Bolt 3/8-16 x 1 |
| 39 | 634A493 | Attachment Clutch Lever Assembly | H | 5501P | Pan Hd. Phillips Thd. Cutting Screw #10-24 x 1/2 |
| 40 | 511P | Lock Nut 3/8-24 UNF | J | 1002P | Lockwasher ¼" |
| 41 | 634A494 | Hanger Weldment-R.H. Front | K | 6P | Carriage Bolt 5/16-18 UN |
| 42 | 1689E | Bushing | L | 3023P | Hex Bolt 3/8-16 x 1 |
| 43 | 3013P | Hex Bolt 5/16-18 UNC x 1½ | M | 4514P | Hex Socket Headless Se |
| 44 | 5999H | Spring Washer | N | 505P | Screw C.P. 5/16-18 x 5/8 |
| 45 | 634A491 | Belt Tightener Arm and Idler Shaft | O | 3122P | Hex Nut #10-24 |
| 46 | 634A492 | Switch Bracket Assembly | | | Slotted Truss Hd. Mach. Screw #10-24 x 3/8 |
| 47 | 1003P | 5/16 Lockwasher | P | 3137P | Hex Bolt 3/8-16 x 1¼ H. |
| 48 | 504P | 5/16-18 UNC Hex Nut | Q | 28P | Carriage Bolt 3/8-16 UN |
| 49 | 2249R | Safety Switch | R | 3035P | 1 H.T. |
| 50 | 5501P | Pan Head Phillips Thread Cutting Screw #10-24 UNC x 3/8 Type T | S | 3021P | Hex Bolt 7/16-14 x 1¼ |
| 51 | 6479H1 | Belt Guide Finger | T | 3115P | Hex Bolt 3/8-16 UNC x 1 |
| 52 | 1520P | Washer .469 I.D. x 1-1/8 x 11 Ga. | U | 3115P | Hex Bolt ¼-20 UNC x 5/8 |
| 53 | 6635H | Flat Idler | V | 3015P | Hex Bolt ¼-20 UNC x 5/8 |
| 54 | 1001P | Lockwasher 7/16 | W | 3267P | Hex Bolt 5/16-18 UNC x 1 |
| 55 | 500P | Hex Nut 7/16-14 | --- | 3678R | Hex Bolt ¼-20 UNC x 1½ |
| 56 | 634A101 | Drawbar W/Weldnuts | | | Owners Manual |
| 57 | 634A543 | Chassis Assembly W/Bearings | | | |
| 58 | | Model Number Plate | | | |
| 59 | | Drive Rivet for Model Plate | | | |
| 60 | 634A355 | Hanger Weldment-L.H. Front | | | |

ROPER RT-13 GARDEN TRACTOR--MODEL NO. T32231RO

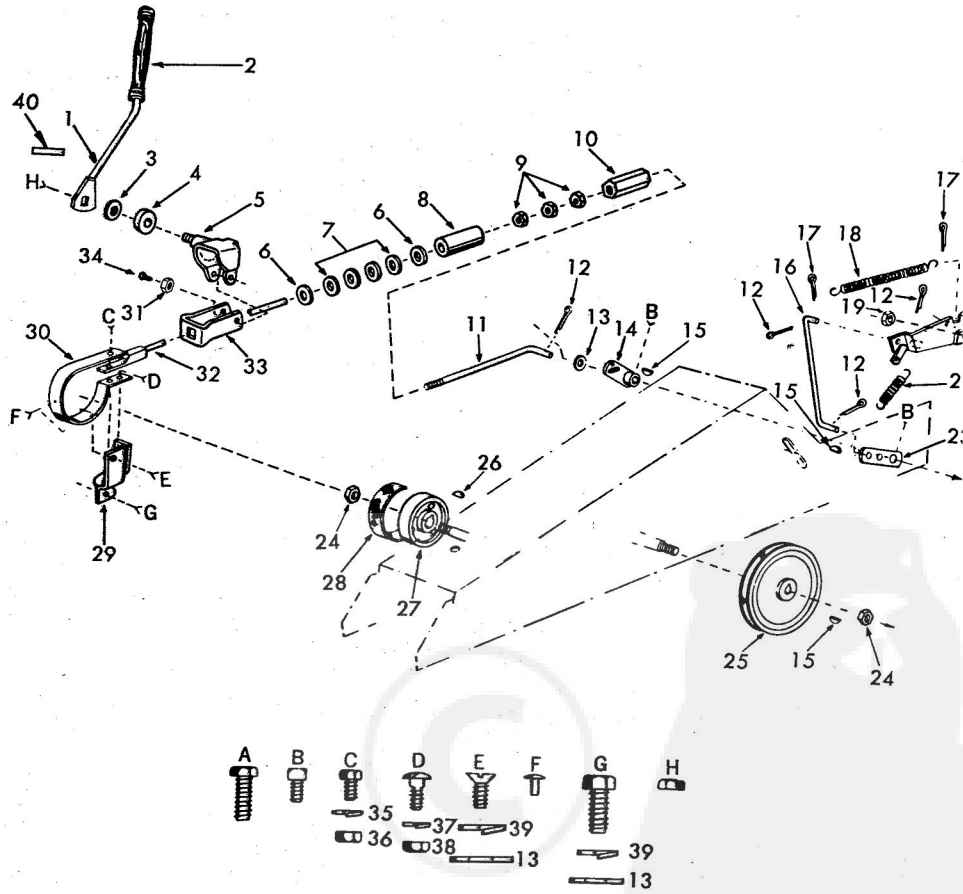


repair parts

ROPER RT-13 GARDEN TRACTOR--MODEL NO. T32231RO

| KEY NO. | PART NO. | DESCRIPTION |
|---------|----------|--|
| 1 | 1528P | Washer 13/16 x 1 1/4 x 14 Ga. |
| 2 | 1309H | Bearing |
| 3 | 634A521 | Front Axle with Bearings (Inc. Key No. 2) |
| 4 | 4764H | Huglock Nut 5/8-11 UNC |
| 5 | 5000P | E-Ring |
| 6 | 634A277 | Spindle Complete-R.H. |
| 7 | 9040H | Flanged Bearing |
| 8 | 511P | Nylock Nut, 3/8-24 UNF |
| 9 | 1505P | Washer 9/32 x 1/2 x 14 Ga. |
| 10 | 6855M | Grease Fitting |
| 11 | 2699R | Hex Bolt |
| 12 | 634A278 | Spindle Complete-L.H. |
| 13 | 1808R | Tie Rod and Joints |
| 14 | 1552P | Washer 49/64 x 1 1/4 x 16 Ga. |
| 15 | 634A98 | Steering Bell Crank Weldment |
| 16 | 9318H | Drag Link and Joints |
| 17 | 6842M | Grease Fitting |
| 18 | 634A95 | Steering Gear Sector and Arm |
| 19 | 3938R | Front Tire-Tubeless |
| 20 | 795R | Tire Valve |
| 21 | 2168R | Front Wheel |
| 22 | 1562P | Washer 25/32 x 1 1/2 x 16 Ga. |
| 23 | 8785H | Wear Washer |
| 24 | 4831H | Elastic Nut 3/4-16 UNF |
| 25 | 8763H | Dust Cap-Outer |
| 26 | 3008P | Hex Bolt 5/16-18 x 1/2 |
| 27 | 8798H | Roll Pin 5/32 x 1 |
| 28 | 6856M | Grease Fitting 1/4-28 Taper Thread |

ROPER RT-13 GARDEN TRACTOR--MODEL NO. T32231RO



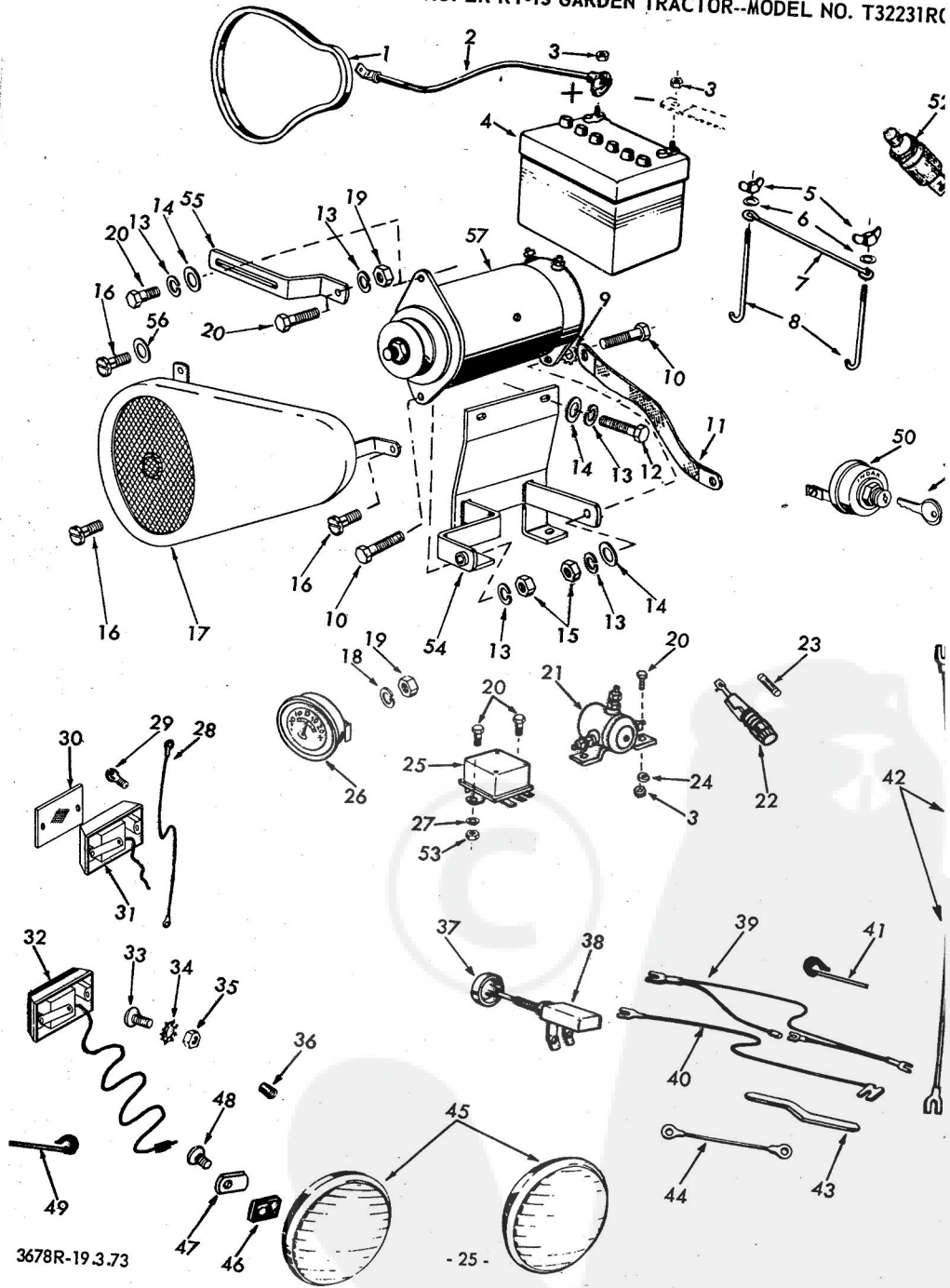
repair parts

ROPER RT-13 GARDEN TRACTOR--MODEL NO. T32231R0

| KEY NO. | PART NO. | DESCRIPTION | KEY NO. | PART NO. | DESCRIPTION |
|---------|----------|---|---------|----------|--|
| 1 | 626A394 | Parking Lock Handle Assembly | 26 | 2228M1 | Woodruff Key 3/16 x 3/4 |
| 2 | 4379H | Handle Grip | 27 | 7648H1 | Brake Drum |
| 3 | 5999H | Spring Washer | 28 | 7645H | Brake Lining |
| 4 | 2221R | Parking Brake Spacer | 29 | 634A168 | Brake Bracket Assembly |
| 5 | 634A489 | Lock Bracket Assembly | 30 | 634A167 | Brake Band and Lining |
| 6 | 1513P | Washer 13/32 x 13/16 x 16 Ga. | 31 | 9071H | Huglock Nut 1/4-28 UNC |
| 7 | 2263R | Spring Washer | 32 | 626A365 | Brake Rod Assembly |
| 8 | 2201R | Bushing | 33 | 2197R | Parking Brake Yoke |
| 9 | 501P | Hex Nut 3/8-16 UNC | 34 | 3256P | Hex Bolt 1/4 x 5/8-28 Heat Treated |
| 10 | 6417H | Turnbuckle | 35 | 1003P | Lockwasher 5/16 |
| 11 | 2202R | Brake Rod-Front | 36 | 1685H | Locknut 5/16-18 |
| 12 | 2505P | Cotter Pin 1/8 x 3/4 | 37 | 1002P | Lockwasher 1/4 |
| 13 | 1513P | Washer 13/32 x 13/16 x 16 Ga. | 38 | 503P | Hex Nut 1/4-20 |
| 14 | 634A33A | Brake Arm Assembly | 39 | 1004P | Lockwasher 3/8 |
| 15 | 9858M1 | Woodruff Key 3/16 x 5/8 | 40 | 175H | Roll Pin (In Channel for Parking Brake Stop) |
| 16 | 6406H | Clutch Rod | A | 3052P | Hex Bolt 3/8-24 x 1 Pltd. |
| 17 | 2514P | Cotter Pin 1/4 x 1 | B | 4501P | Sq. Hd. Set Screw C.P. 5/1 |
| 18 | 6486H | Spring | C | 3159P | Hex Bolt 5/16-18 x 7/8 |
| 19 | 548P | Hex Jam Lock Nut 3/8-24 UNF | D | 11P | Sq. Neck Carriage Bolt 1/4-20 |
| 20 | 634A296A | Idler Bracket Assembly | E | 3164P | Flat Hd. Machine Screw Unf 3/8-16 x 3/4 |
| 21 | 634A86 | Idler, Bolt and Nut (Inc. Key No's. 19 and A) | F | 2004P | Rivet, Brass Tubular #4 x 1/2 |
| 22 | 4301H | Spring | G | 3022P | Hex Bolt 3/8-16 x 7/8 |
| 23 | 626A31A | Steering Arm Assembly | H | 548P | Lock Nut 3/8-24 UNF |
| 24 | 9204H | Lock Nut 1/2-20 UNF | | | |
| 25 | 6461H2 | Transaxle (Transmission) Pulley | | | |

repair parts

ROPER RT-13 GARDEN TRACTOR--MODEL NO. T32231R



3678R-19.3.73

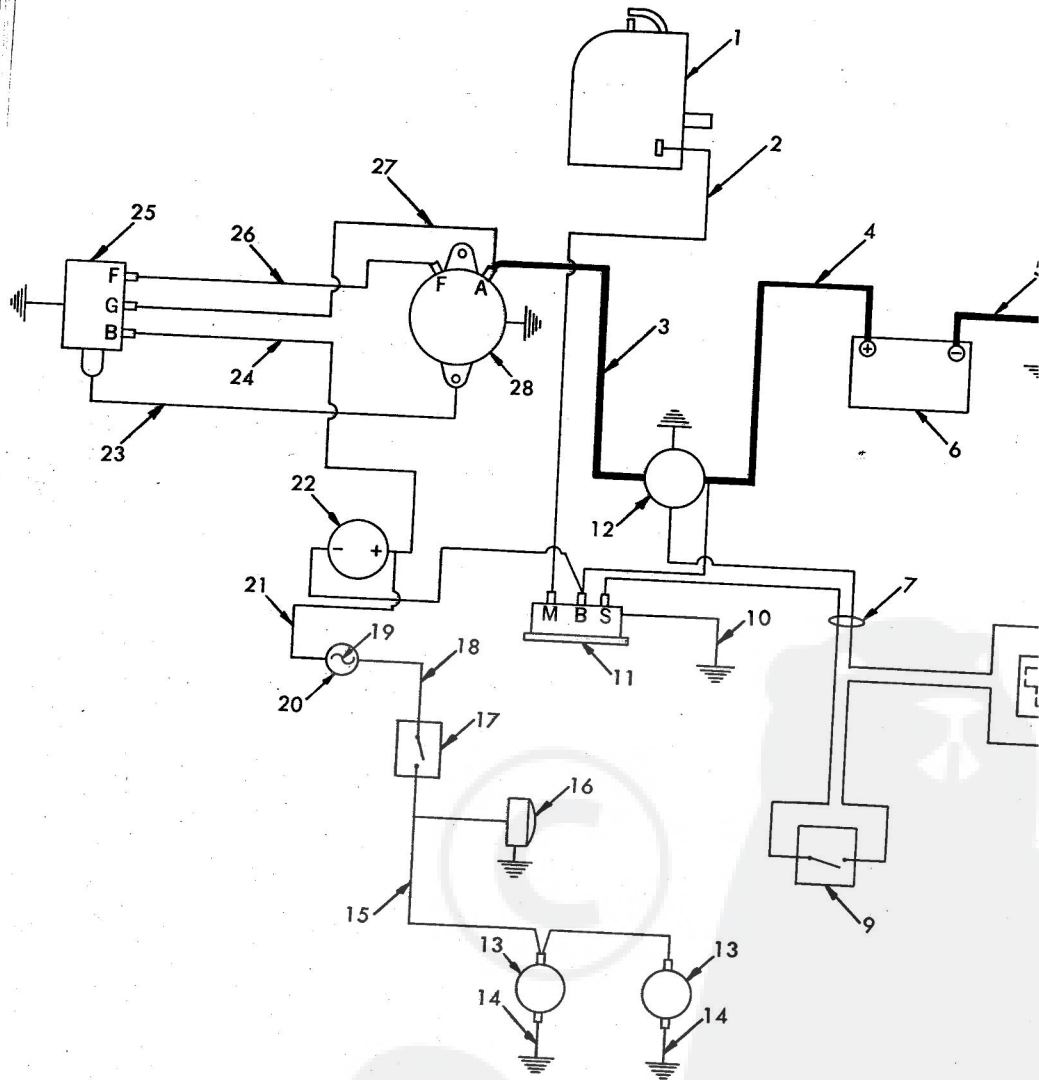
repair parts

ROPER RT-13 GARDEN TRACTOR--MODEL NO. T32231R0

| KEY NO. | PART NO. | DESCRIPTION | KEY NO. | PART NO. | DESCRIPTION |
|---------|----------|--|---------|----------|--|
| 1 | 9766H | V-Belt (Generator to Engine) | 29 | 3867R | Bulb (Tail Light) |
| 2 | 634A490 | Cable and Cover (Red) | 30 | 3868R | Lens (Tail Light) (Red) |
| 3 | 503P | Hex Nut 1/4-20 UNC | 31 | 3869R | Housing (Tail Light) |
| 4 | 9885H | Battery | 32 | 3757R | Tail Light |
| 5 | 3748M | Wing Nut | 33 | 3073P | Slotted Truss Hd. Mach. Screw #10-24 x 1/2 |
| 6 | 1509P | Washer 5/16 x 3/4 x 16 Ga. | 34 | 1404P | Lockwasher #10 External |
| 7 | 5110H | Battery Clamp | 35 | 505P | Hex Nut #10-24 UNC |
| 8 | 5072H | Battery Bolt | 36 | 9197H | Hose (On Grill-Headlight Locating Pins) |
| 9 | 1402P | External Lockwasher | 37 | 9267H | Knob, Light Switch |
| 10 | 3136P | Hex Bolt 5/16-18 UNC x 1 3/4 H.T. | 38 | 5735H | Light Switch |
| 11 | 6534H | Ground Cable | 39 | 3773R | Lead Wire (Headlights to Switch) (Pink) |
| 12 | 3010P | Hex Bolt 5/16-18 UNC x 3/4 | 40 | 5959H | Regulator to Generator Wire (Black) |
| 13 | 1003P | Lockwasher 5/16" | 41 | 4171R | Insulated Clip |
| 14 | 1537P | Washer 11/32 x 11/16 x 16 Ga. | 42 | 2223R | Lead Wire ("M" Post on Switch to Short Terminal on Engine) |
| 15 | 504P | Hex Nut 5/16-18 UNC | 43 | 2777R | Tie |
| 16 | 6007P | Slotted Pan Hd. Mach. Screw w/Sems Lockwasher 1/4-20 UNF x 1/2 | 44 | 2894R | Ground Wire (Headlight to Ground) (Black) |
| 17 | 634A446 | Belt Guard Assembly | 45 | 6651H | Head Light |
| 18 | 1006P | Lockwasher #10 | 46 | 8784H1 | Rubber Spacer |
| 19 | 543P | Hex Nut #10-32 UNF | 47 | 8768H | Mounting Clip |
| 20 | 3115P | Hex Bolt 1/4-20 UNC x 5/8 | 48 | 5554P | Phillips Pan Hd. Thread Cutting Screw #10-16 x 1/2 |
| 21 | 103R | Solenoid | 49 | 2521R | Blunt Point |
| 22 | 2211R | Fuse Holder | 50 | 2210R | Insulated Clip |
| 23 | 2212R | Fuse | 51 | 7552H | Starter Switch (Inc. Key No. 51) |
| 24 | 1002P | Lockwasher 1/4" | 52 | 2329R | Key |
| 25 | 2257R | Voltage Regulator | 53 | 347H | Switch-Safety Start |
| 26 | 6987H2 | Ammeter | 54 | 634A383 | Lock Nut |
| 27 | 9099H | Grommet | 55 | 9737H1 | Generator Mount Assembly |
| 28 | 5959H | Ground Wire (Regulator Mounting Bolt to Generator Frame) (Black) | 56 | 1506P | Generator Adjusting Strap |
| | | | 57 | 634A298 | Washer 9/32 x 5/8 x 16 Ga. Motor Generator |

FOR ADDITIONAL ELECTRICAL ITEMS REFER TO WIRING DIAGRAM - PAGES 27 AND 28.

ROPER RT-13 GARDEN TRACTOR--MODEL NO. T32231RO



3678R-19.3.73

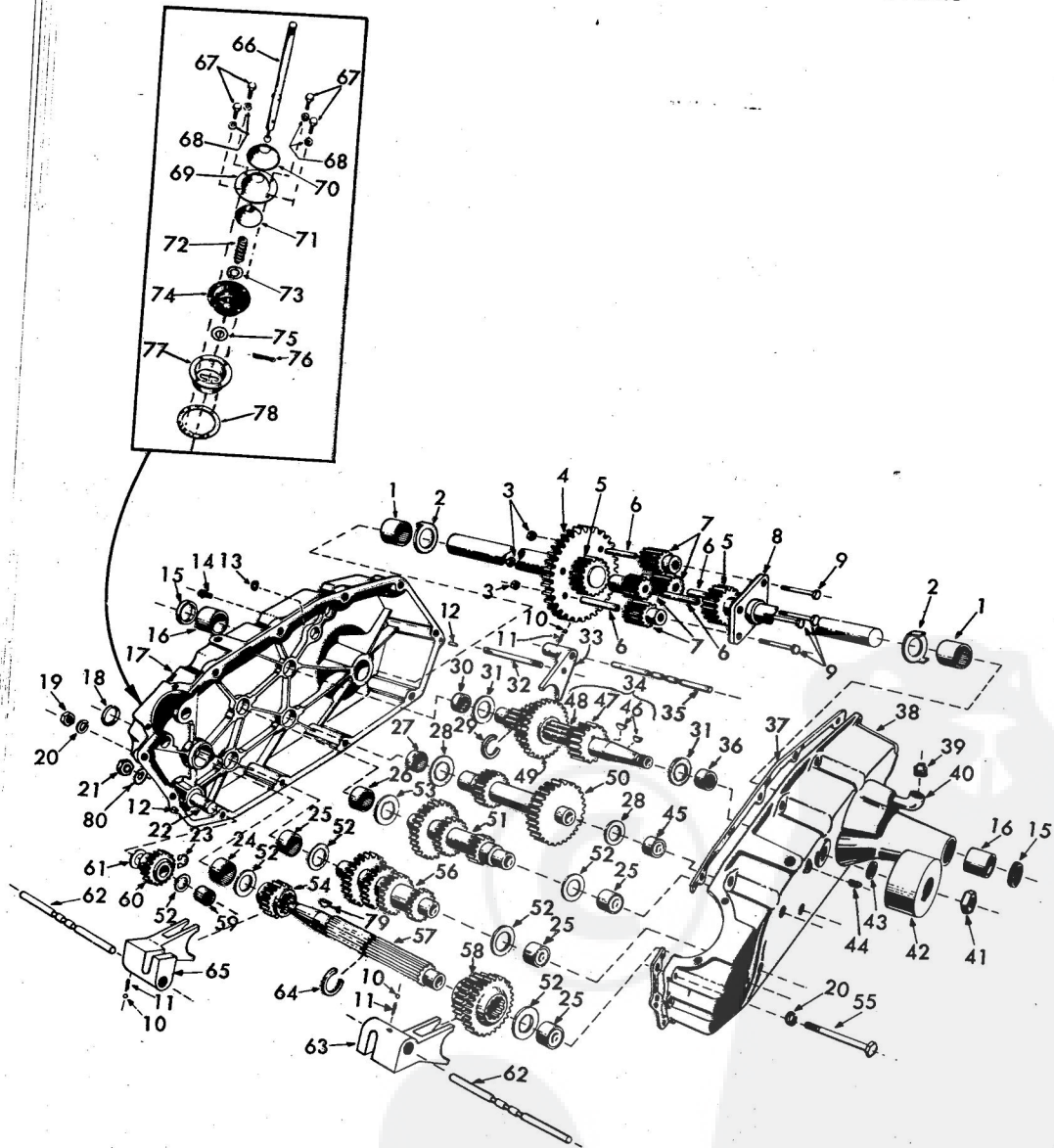
repair parts

ROPER RT-13 GARDEN TRACTOR--MODEL NO. T32231RO

| KEY NO. | PART NO. | DESCRIPTION |
|---------|----------|--|
| 1 | 302431 | Engine 13 H.P. Briggs and Stratton-Type No. 013801 |
| 2 | 2223R | Electrical Wire (Engine to "M" on Starter Switch-Black) |
| 3 | 2225R | Battery Cable (Red) |
| 4 | 634A490 | Cable and Cover (Red) |
| 5 | 6534H | Ground Cable (Black) |
| 6 | 9885H | Battery |
| 7 | 3865R | Electrical Wire (White) |
| 8 | 2249R | Attachment Safety Switch |
| 9 | 2329R | Switch-Safety Start |
| 10 | 2224R | Electrical Wire (Starter Switch Mounting Stud to Solenoid Mounting Bolt-Black) |
| 11 | 2210R | Starter Switch |
| 12 | 103R | Solenoid |
| 13 | 6651H | Headlight |
| 14 | 2894R | Ground Wire (Headlight to Ground-Black) |
| 15 | 3773R | Lead Wire (Headlight to Switch-Pink) |
| 16 | 3757R | Tail Light |
| 17 | 5735H | Light Switch |
| 18 | 2228R | Electrical Wire (Fuse to Light-Orange) |
| 19 | 2212R | Fuse |
| 20 | 2211R | Fuse Holder |
| 21 | 2229R | Lead Wire (Ammeter "-" Terminal to Fuse-Orange) |
| 22 | 6987H2 | Ammeter |
| 23 | 5959H | Ground Wire (Regulator Mounting Bolt to Generator Frame-Black) |
| 24 | 6994H | Lead Wire (Ammeter "+" Post to Voltage Regulator "B" Post-Red) |
| 25 | 2257R | Regulator |
| 26 | 5804H | Field Wire (Generator "F" to Regulator "F". Light Green) |
| 27 | 5803H | Ground to Generator Wire ("G" to Regulator to "A" on Generator-Brown) |
| 28 | 634A298 | Motor Generator |

repair parts

ROPER RT-13 GARDEN TRACTOR--MODEL NO. T32231RO



repair parts

ROPER RT-13 GARDEN TRACTOR--MODEL NO. T32231RO

| KEY NO. | PART NO. | DESCRIPTION | KEY NO. | PART NO. | DESCRIPTION |
|---------|----------|---|---------|----------|-------------------------------------|
| 1 | 3039R | Needle Bearing | 40 | 4003P | 90 Street Elbow ½ 14 N.P.T. |
| 2 | 6256H | Axle Thrust Washer | 41 | 9204H | Lock Nut ½ - 20 |
| 3 | 7810H | Gripco Nut 3/8 - 24 | 42 | 7648H1 | Brake Drum |
| 4 | 8662H | Final Drive - Gear | 43 | 6271H | Oil Seal |
| 5 | 633A34 | Axle Shaft and Gear | 44 | 4001P | Pipe Plug ¼ - 18 N.P.T. |
| 6 | 6252H1 | Bushing - Differential Pinion | 45 | 8117H | Needle Bearing |
| 7 | 8657H | Differential Pinion | 46 | 2228M | Woodruff Key 3/16 x ¾ H.T. |
| 8 | 6263H1 | Differential Carrier | 47 | 8659H | 4th. Reduction Pinion |
| 9 | 3056P | Hex Bolt 3/8 - 24 x 3¼ 1" Thread Length | 48 | 6221H | 3rd. Reduction Gear Shaft |
| 10 | 7392M | Steel Ball | 49 | 633A14 | High - Low Range Gears and Hub |
| 11 | 6272H | Spring - Shift Fork Detent | 50 | 633A33 | 4th. Reduction Shaft and Gear |
| 12 | 6277H | Dowel Pin | 51 | 633A31 | 2nd. Reduction Shaft and Gear |
| 13 | 6269H | Oil Seal | 52 | 1370H | Thrust Bearing Race |
| 14 | 5855H | Pressure Relief Valve | 53 | 7395H | Thrust Bearing Race |
| 15 | 4910H | Oil Seal | 54 | 6231H | Low Speed Pinion |
| 16 | 992R1 | Sintered Iron Bearing | 55 | 3087P | Hex Bolt 5/16 x 1½ Grade 5 H.T. |
| 17 | 633A28A | Gear Case Reverse Idler Shaft and Bearings R.H. | 56 | 633A30 | Speed Change Gears & Shaft |
| 18 | 6270H | Oil Seal | 57 | 6218H | Input Shaft |
| 19 | 504P | Hex Nut 5/16 - 18 | 58 | 633A11 | Intermediate and High Speed Pinions |
| 20 | 1007P | Lock Washer 5/16 Extra Heavy | 59 | 7397H | Needle Bearing - Caged |
| 21 | 541P | Hex Jam Nut 7/16 - 20 | 60 | 633A24 | Reverse Idler Gear & Bearing |
| 22 | 7384H | Reverse Idler Shaft | 61 | 7392H | Reverse Idler Thrust Washer |
| 23 | 5001P | E Ring | 62 | 6216H | Shift Fork Shaft |
| 24 | 4894H | Needle Bearing | 63 | 6261H | Shift Fork - L.H. |
| 25 | 4895H | Needle Bearing | 64 | 4926H | Snap Ring Crescent Type |
| 26 | 7398H | Needle Bearing | 65 | 6262H | Shift Fork R.H. |
| 27 | 8117M | Needle Bearing | 66 | 6213H1 | Gear Shift Lever - Straight |
| 28 | 7396H | Thrust Bearing Race | 67 | 3010P | Hex Bolt 5/16 - 18 x ¾ |
| 29 | 6276H | Snap Ring Crescent Type | 68 | 1003P | Lock Washer 5/16 |
| 30 | 8118M | Needle Bearing | 69 | 6254H1 | Gear Shift Ball Cover |
| 31 | 6266H | Thrust Bearing Race | 70 | 4869H1 | Gear Shift Cap |
| 32 | 6215H | High - Low Range Shift Shaft | 71 | 6259H | Shift Lever Guide Ball - Plain |
| 33 | 6260H | Shift Fork, High - Low Range | 72 | 4924H | Spring |
| 34 | 633A32 | 3rd. Reduction Shaft and Gear (Inc. Key No's. 46,47 and 48) | 73 | 1544P | Washer 15/32 x 59/64 x 16 Ga. |
| 35 | 6217H | High - Low Range Shift Fork Shaft | 74 | 6273H | Shift Mechanism Seal |
| 36 | 8119M | Needle Bearing | 75 | 1525P | Washer 9/16 x 15/16 x 12 Ga. |
| 37 | 6275H | Gasket Gear Case | 76 | 2505P | Cotter 1/8 x ¾ |
| 38 | 633A27 | Gear Case and Bearings L.H. | 77 | 633A19 | Gear Shift Gate & Reinforcement |
| 39 | 4002P | Pipe Plug ½ 14 N.P.T. | 78 | 6274H | Gasket - Shift Ball Cover |
| | | | 79 | 9858M1 | Woodruff Key |
| | | | 80 | 1167R | Sealing Washer |
| | | | ----- | 633A38 | Transaxle Assembly Less Brake Drum |