

REPAIR PARTS

10 HP 36" LAWN RIDER - - MODEL NUMBER RE10L36B

ELECTRICAL

KEY NO.	PART NO.	DESCRIPTION
1	73510400	Nut, Hex, Keps 1/4-20
2	108423X	Assembly, Cable
3	133909	Battery
4	17211008	* Screw, Hex Washer Head, Tapping #10-16 x 1/2
5	108236X	Bracket, Switch
6	104445X	Switch, Interlock
7	109553X	Switch, Interlock
8	17021008	* Screw, Hex Head, Tapping #10-24 x 1/2
9	122147X	Key, Molded
10	123620X	Cover, Ignition Key
11	124211X	Nut, Ignition
12	4406R	Switch, Ignition
13	124083X	Cover, Ignition Switch
14	7192J	Tie, Cable
15	121305X	Switch, Plunger
16	73510500	* Nut, Hex, Keps 5/16-18
17	108824X	Fuse
18	128353	Assembly, Cable

KEY NO.	PART NO.	DESCRIPTION
19	132223	Harness, Ignition
20	73350400	Nut, Hex, Jam 1/4-20
21	10090400	* Washer, Lock 1/4
22	74780408	Bolt, Hex, Fin. 1/4-20 UNC x 1/2 Grade 5
23	11050400	* Washer, Lock External Tooth 1/4
24	131563	Cover, Terminal
25	109081X	Solenoid
26	74760412	Bolt, Hex Head 1/4-20 UNC x 3/4
27	19091016	* Washer 9/32 x 5/8 x 16
28	10040400	* Washer, Lock 1/4
29	121264X	Cap, Battery
30	73220400	* Nut, Hex, Fin. 1/4-20 UNC

* STANDARD HARDWARE - - PURCHASE LOCALLY
NOTE: All component dimensions given in U.S. inches.
 1 inch = 25.4 mm

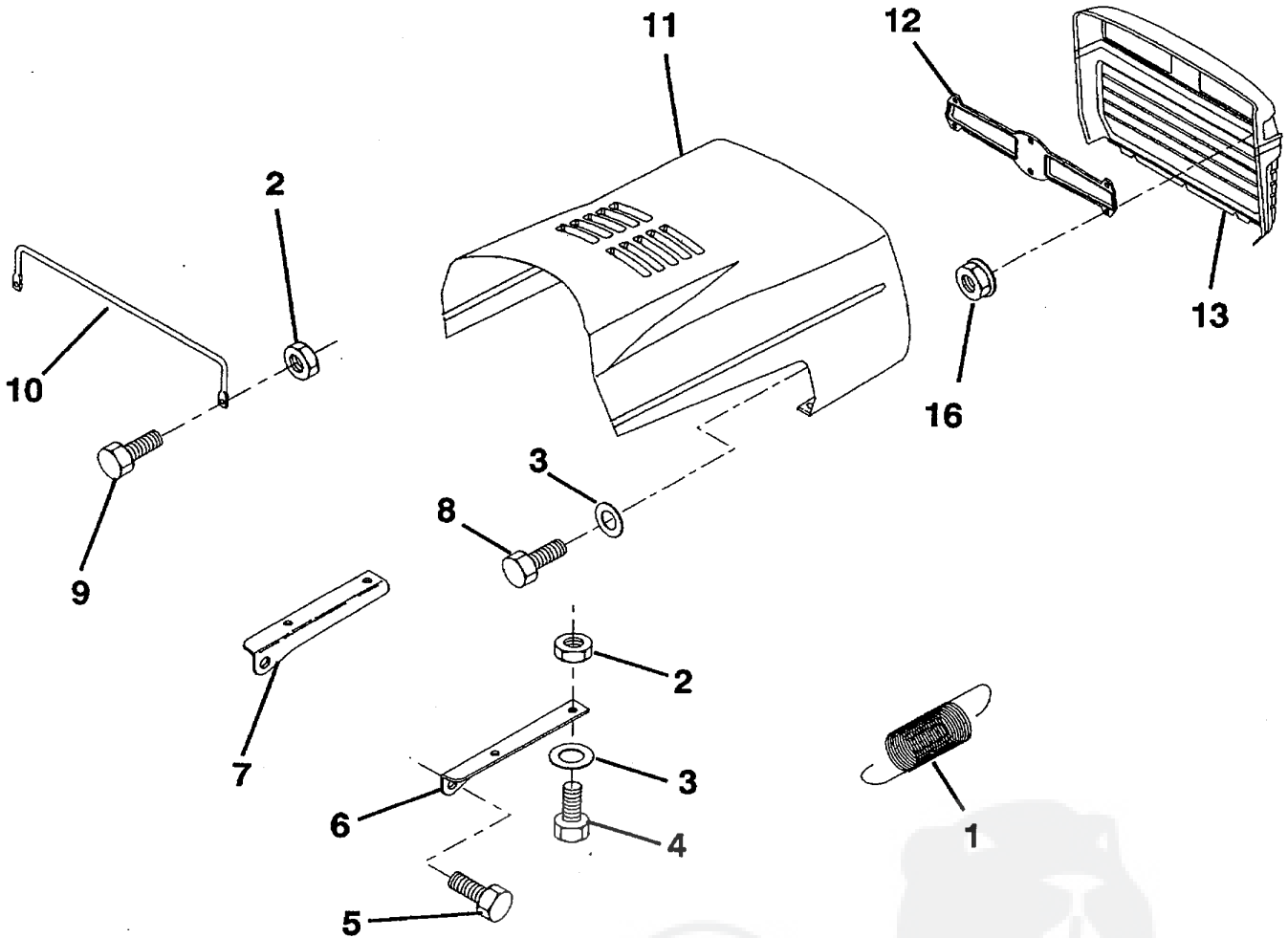
HARDWARE SHOWN LARGER FOR EASIER IDENTIFICATION



REPAIR PARTS

10 HP 36" LAWN RIDER - - MODEL NUMBER RE10L36B

HOOD



KEY NO.	PART NO.	DESCRIPTION
1	124657X	Spring, Extension
2	73510400	* Nut, Hex, Keps 1/4-20 UNC
3	19091016	* Washer 9/32 x 5/8 x 16 Gauge
4	74780410	* Bolt, Hex, Fin 1/4-20 UNC x 5/8 Grade 5
5	126675X	Bolt, Shoulder
6	122549X	Bracket, Hood, R.H.
7	122548X	Bracket, Hood, L.H.
8	17411310	Screw, Hex, Fin #13-16 Hi-Lo x 5/8
9	74780412	* Bolt, Hex, Fin 1/4-20 x 3/4 Grade 5
10	123693X	Brace, Hood

KEY NO.	PART NO.	DESCRIPTION
11	132918X419	Hood
12	127178	Lens
13	134232X507	Grill
16	124346X	Nut, Self-Threading 3/16

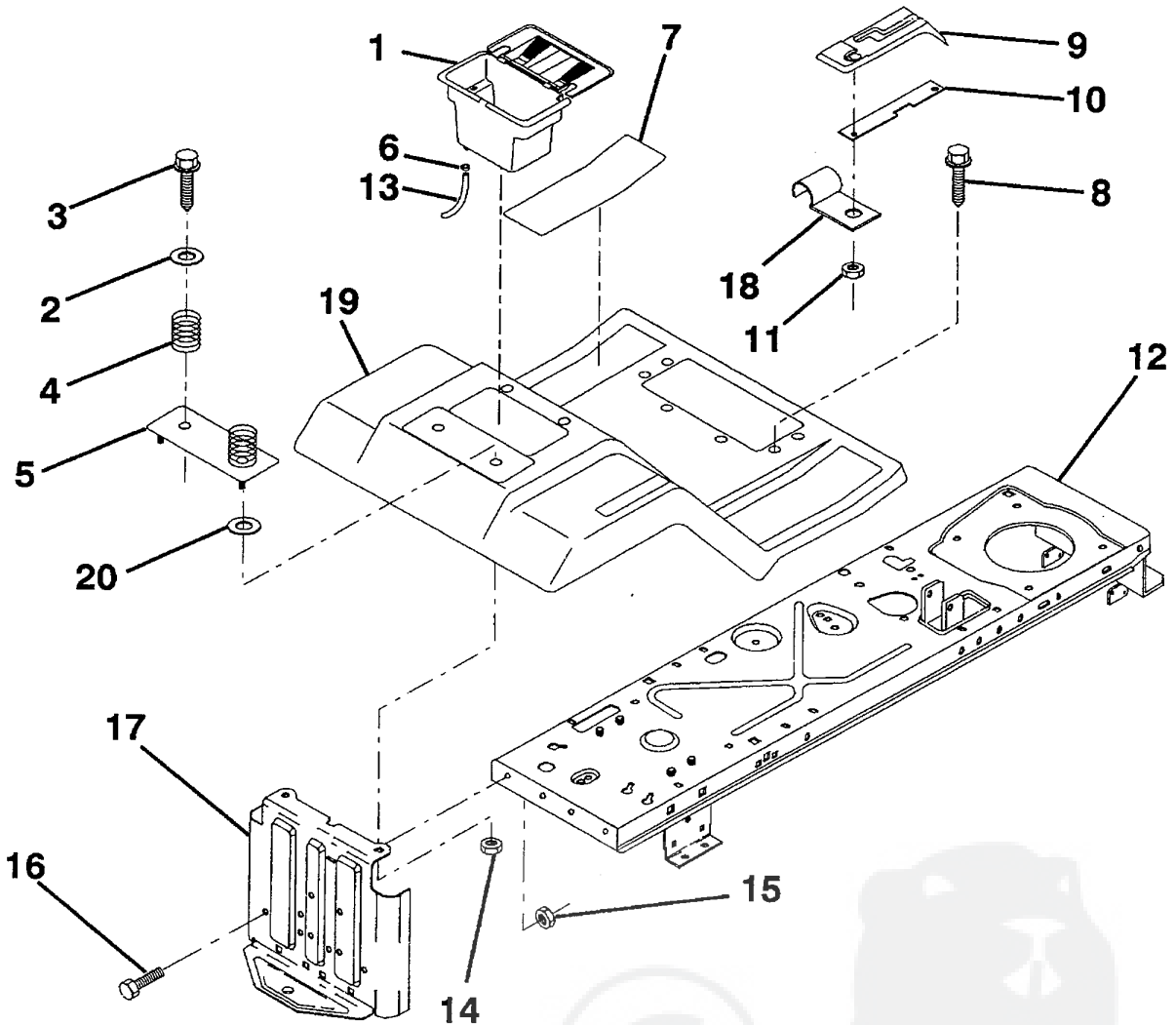
* STANDARD HARDWARE - - PURCHASE LOCALLY
NOTE: All component dimensions given in U.S. inches.
 1 inch = 25.4 mm

HARDWARE SHOWN LARGER FOR EASIER IDENTIFICATION

REPAIR PARTS

10 HP 36" LAWN RIDER - - MODEL NUMBER RE10L36B

FENDER / CHASSIS



KEY NO.	PART NO.	DESCRIPTION
1	129965	Case, Battery
2	19132012	Washer 13/32 x 1-1/4 x 12 Gauge
3	17490612	Screw, Hex Washer Head, Thd. Roll. 3/8-16 x 3/4
4	124181X	Spring, Compression, Seat
5	127115X419	Plate, Battery
6	109596X	Clamp, Hose
7	124144X	Pad, Footrest
8	17490512	Screw, Hex Washer Head, Thd. Roll. 5/16-18 x 3/4
9	126993X	Console, Shift Control
10	124602X	Bar, Shift Lock
11	124346X	Nut, Self-Threading 3/16

KEY NO.	PART NO.	DESCRIPTION
12	131880	Assembly, Frame
13	105687X	Tube, Battery Drain
14	73510400	Nut, Hex, Keps 1/4-20
15	73680500	* Nut, Crownlock 5/16-18
16	74760512	* Bolt, Hex 5/16-18 UNC x 3/4
17	127880	Drawbar
18	126470X	Clip, Insulated
19	128083X419	Fender/Footrest
20	19091413	Washer 9/32 x 7/8 x 13 Gauge

* STANDARD HARDWARE - - PURCHASE LOCALLY

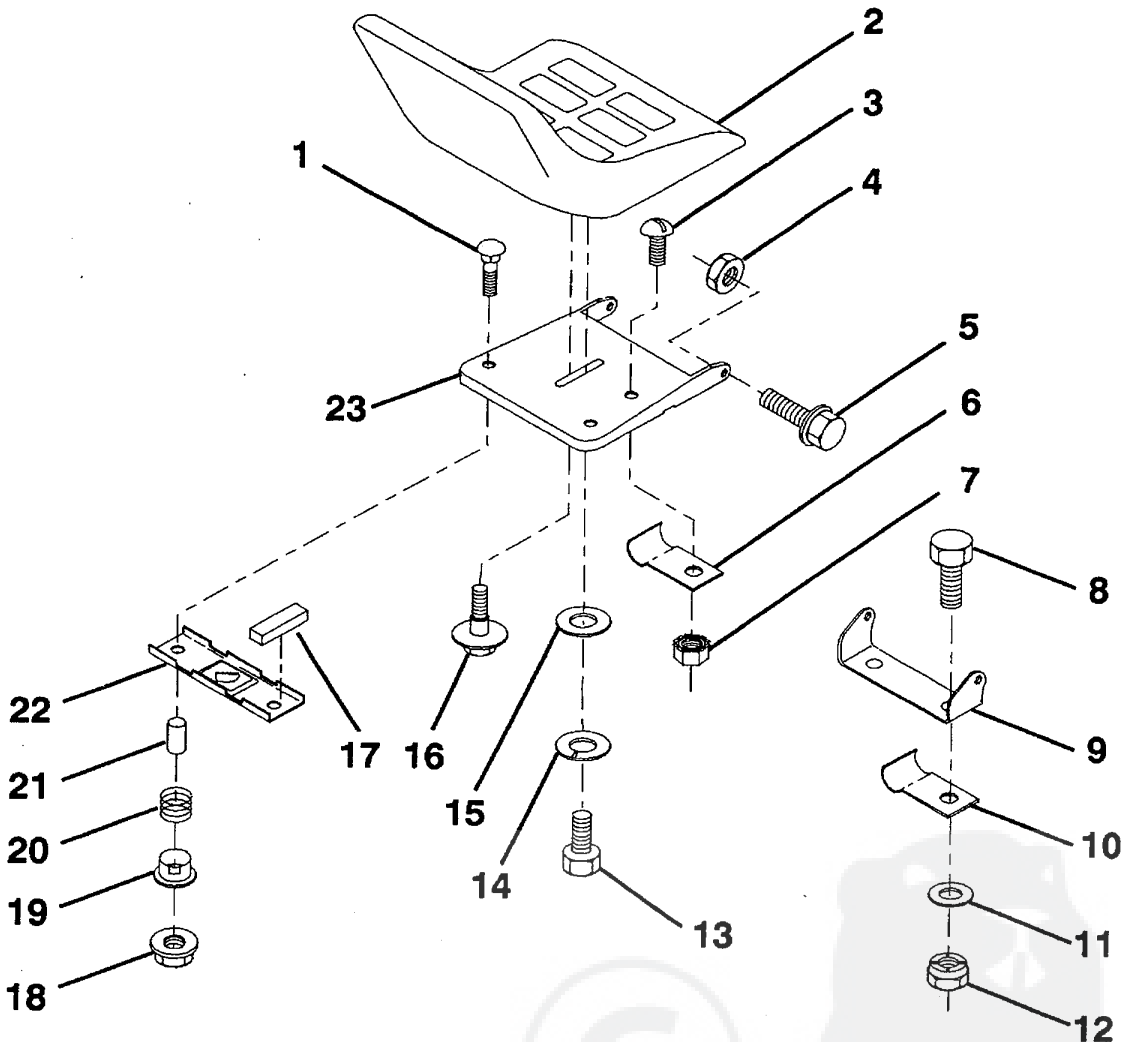
NOTE: All component dimensions given in U.S. inches.
1 inch = 25.4 mm

HARDWARE SHOWN LARGER FOR EASIER IDENTIFICATION

REPAIR PARTS

10 HP 36" LAWN RIDER - - MODEL NUMBER RE10L36B

SEAT



KEY NO.	PART NO.	DESCRIPTION
1	72050411	Bolt, Carriage 1/4-20 x 1-3/8
2	134647	Seat
3	74641008	* Screw, Slotted Pan Head #10-32 x 1/2
4	73680500	* Nut, Crownlock 5/16-18
5	105529X	Bolt, Shoulder 5/16-18 UNC
6	4171R	Clip, Insulated
7	73951000	Nut, Keps #10-32 UNF
8	74760612	* Bolt, Hex, Fin 3/8-16 UNC x 3/4
9	126656X	Bracket, Pivot, Seat
10	126471X	Clip, Insulated
11	19131210	Washer 13/32 x 3/4 x 10 Gauge
12	73680600	* Nut, Crownlock 3/8-16 UNC

KEY NO.	PART NO.	DESCRIPTION
13	74780814	Bolt, Fin Hex 1/2 - 13 x 7/8 Gr. 5
14	10040800	Washer Lock Hvy HLCL Spr. 1/2
15	19171912	Washer 17/32 x 13/16 x 12 Gauge
16	127018X	Bolt, Shoulder
17	121251X	Strip, Foam
18	123976X	Locknut, Hex, Large, Flange
19	121248X	Bushing, Snap
20	121250X	Spring, Compression
21	121249X	Spacer, Split, Large .28 Id. x .88
22	121246X	Bracket, Switch, Mounting
23	131451	Pan, Seat

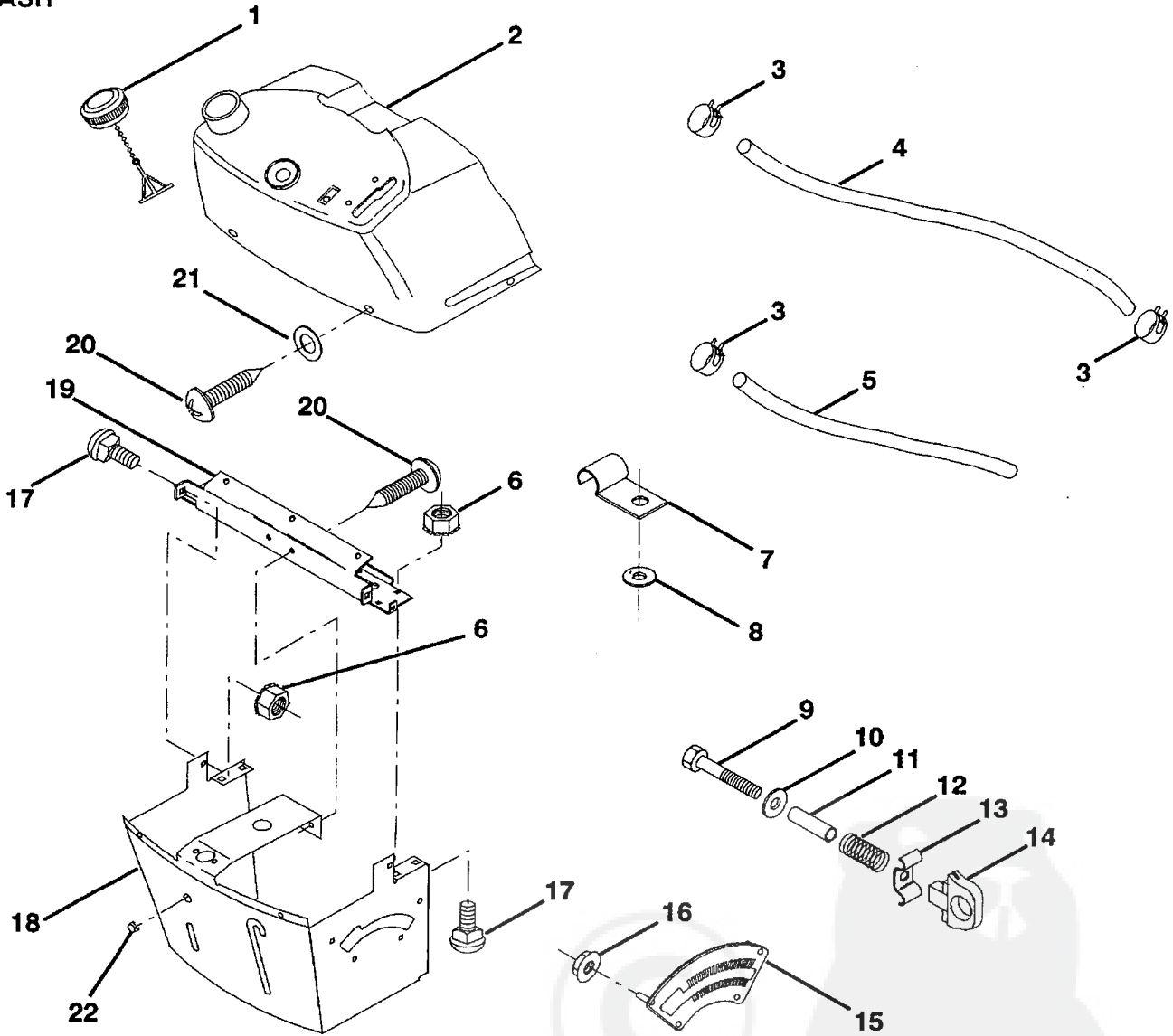
* STANDARD HARDWARE - - PURCHASE LOCALLY
 NOTE: All component dimensions given in U.S. inches.
 1 inch = 25.4 mm

HARDWARE SHOWN LARGER FOR EASIER IDENTIFICATION

REPAIR PARTS

10 HP 36" LAWN RIDER - - MODEL NUMBER RE10L36B

DASH



KEY NO.	PART NO.	DESCRIPTION
1	122015X	Cap, Fuel
2	130913	Assembly, Dash & Fuel Tank
3	123487X	Clamp, Hose
4	8544R	Line, Fuel
5	8548R	Line, Fuel
6	73510400	* Nut, Hex, Keps 1/4-20
7	2751R	Clip, Fuel Line
8	19091216	* Washer 9/32 x 3/4 x 16 Gauge
9	74760428	Bolt, Hex, Fin. 1/4-20 x 1-3/4
10	19091413	Washer 11/32 x 11/16 x 16 Gauge
11	121249X	Spacer, Split
12	3720R	Spring

KEY NO.	PART NO.	DESCRIPTION
13	126450X	Clip, Height Adjustment
14	126115X	Knob, Height Stop
15	122023X	Adjustment, Quadrant Height
16	124346X	Nut, Self-Threading 3/16-18
17	72110404	* Bolt, Carriage 1/4-20 x 1/2 Grade 5
18	130745	Support Assembly, Dash
19	134744	Brace, Cross
20	18000408	Screw, Self-Tapping 1/4-20 x 1/2
21	19090816	Washer 9/32 x 1/2 x 16 Gauge
22	134014	Plug, Dome

* STANDARD HARDWARE - - PURCHASE LOCALLY

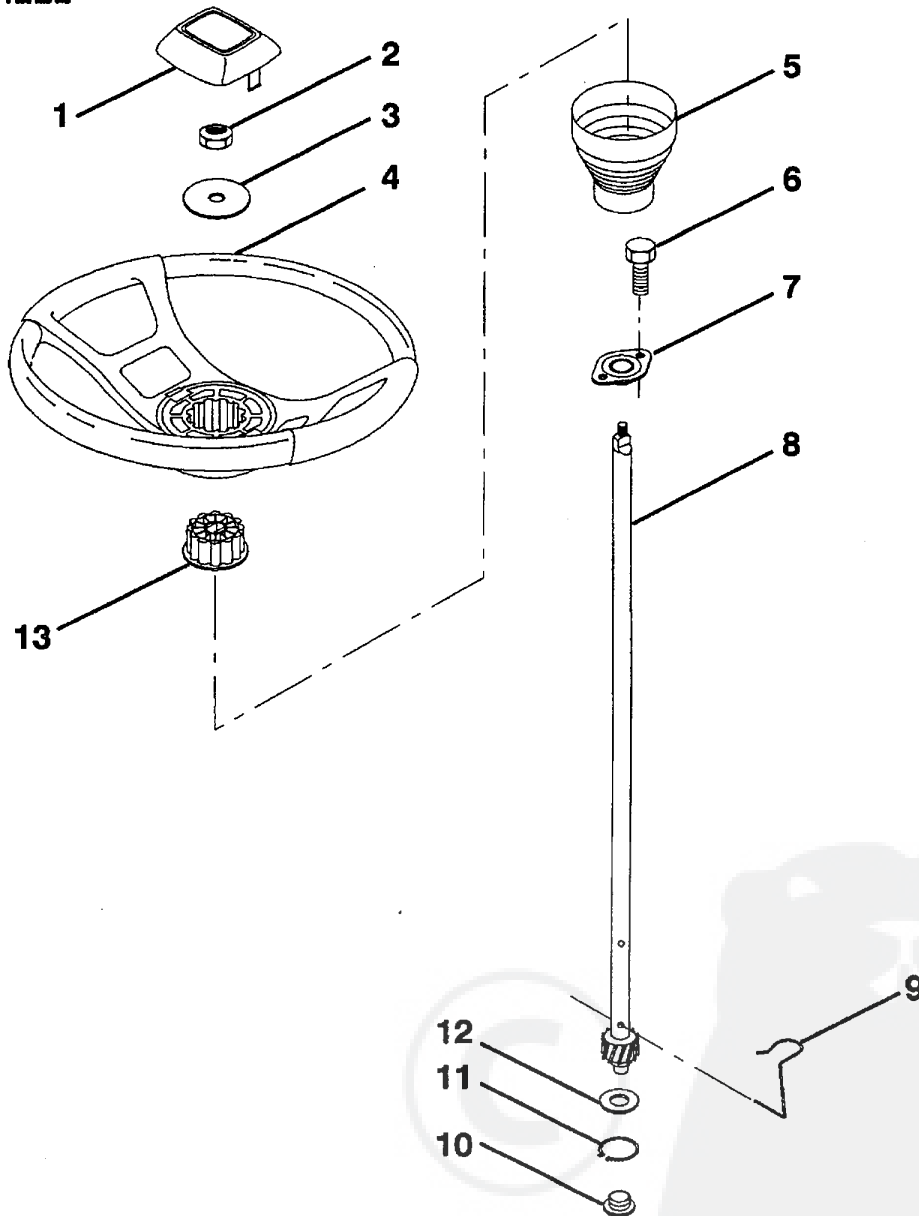
NOTE: All component dimensions given in U.S. inches.
1 inch = 25.4 mm

HARDWARE SHOWN LARGER FOR EASIER IDENTIFICATION

REPAIR PARTS

10 HP 36" LAWN RIDER - - MODEL NUMBER RE10L36B

STEERING WHEEL



KEY NO.	PART NO.	DESCRIPTION
1	100710L	Insert, Steering Wheel
2	7810H	* Locknut 3/8-24 UNF
3	19133808	Washer 13/32 x 2-3/8 x 8 Gauge
4	100713N	Wheel, Steering
5	121897X	Sleeve, Steering
6	17431008	* Screw, Hex Self-Tapping #10-16 x 1/2
7	102803X	Bushing, Steering
8	123651X	Shaft, Steering

KEY NO.	PART NO.	DESCRIPTION
9	124210X	Clip, Steering
10	123438X	Bushing, Lower, Steering
11	12000045	Ring, Retaining
12	19211616	* Washer 21/32 x 1 x 16 Gauge
13	104820X	Adaptor, Steering Wheel

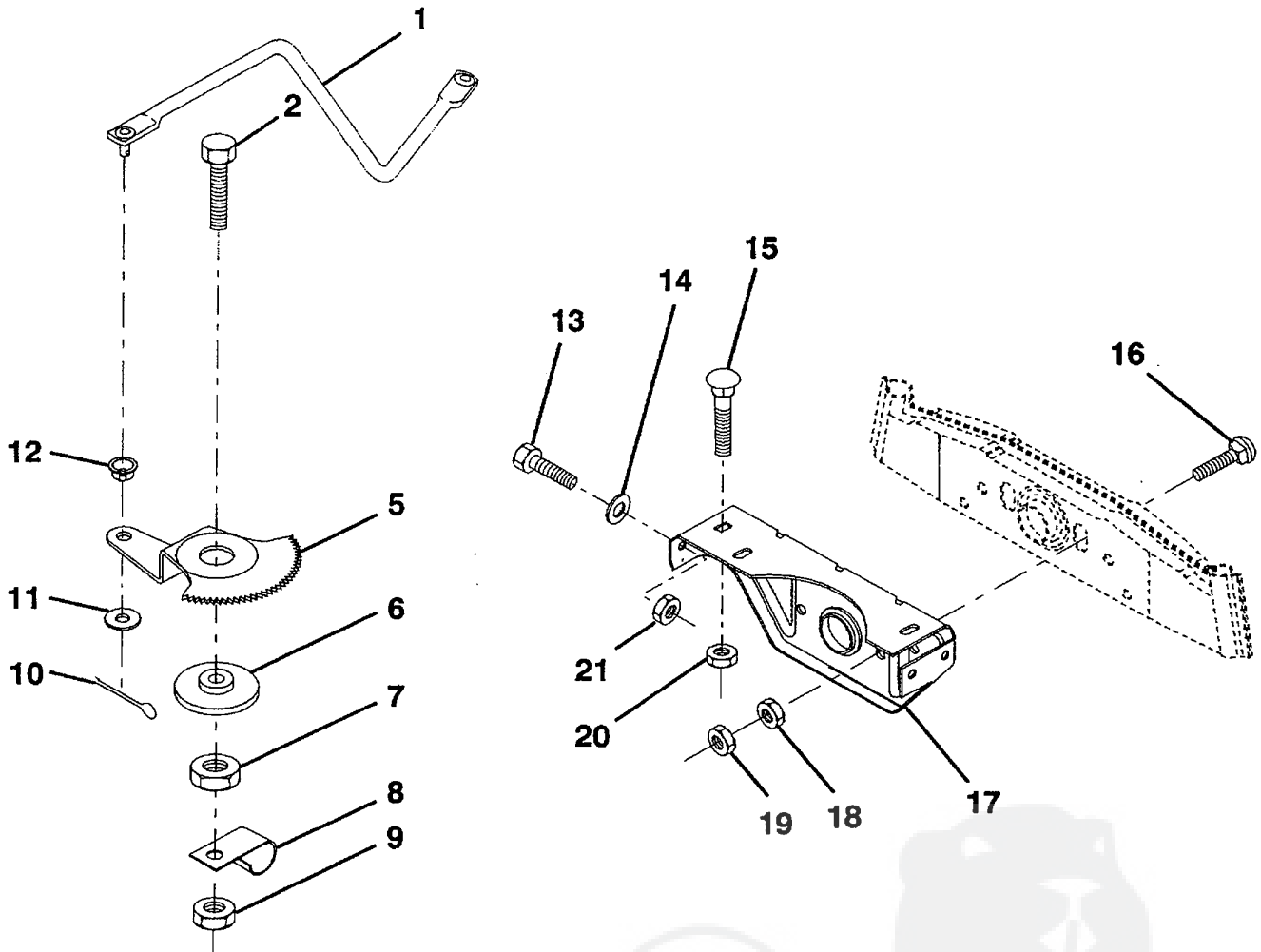
* STANDARD HARDWARE - - PURCHASE LOCALLY
 NOTE: All component dimensions given in U.S. inches
 1 inch = 25.4 mm

HARDWARE SHOWN LARGER FOR EASIER IDENTIFICATION

REPAIR PARTS

10 HP 36" LAWN RIDER - - MODEL NUMBER RE10L36B

SECTOR GEAR / AXLE SUPPORT



KEY NO.	PART NO.	DESCRIPTION
1	123566X	Link, Drag
2	74780828	Bolt, Hex, Fin. 1/2-13 x 1-3/4
5	121926X	Gear, Sector
6	121927X	Bushing
7	73030800	Nut, Heavy, Hex, Top Lock 1/2-13 UNC
8	126472X	Clip, Wire
9	73680800	Nut, Crownlock 1/2-13
10	76020412	* Pin, Cotter 1/8 x 3/4
11	19131316	* Washer 13/32 x 13/16 x 16 Gauge

KEY NO.	PART NO.	DESCRIPTION
12	126847X	Bushing
13	74760512	* Bolt, Hex Hd. 5/16-18 x 3/4
14	19111416	Washer 11/32 x 7/8 x 16 Gauge
15	72110606	* Bolt, Carriage 3/8-16 UNC x 3/4
16	72140622	Bolt, Carriage 3/8-16 x 2-3/4
17	121912X	Support, Front Axle
18	73220600	* Nut, Hex, Fin. 3/8-16 UNC
19	73930600	Nut, Centerlock 3/8-16 UNC
20	73680600	* Nut, Crownlock 3/8-16 UNC
21	73680500	* Nut, Crownlock 5/16-18

* STANDARD HARDWARE - - PURCHASE LOCALLY

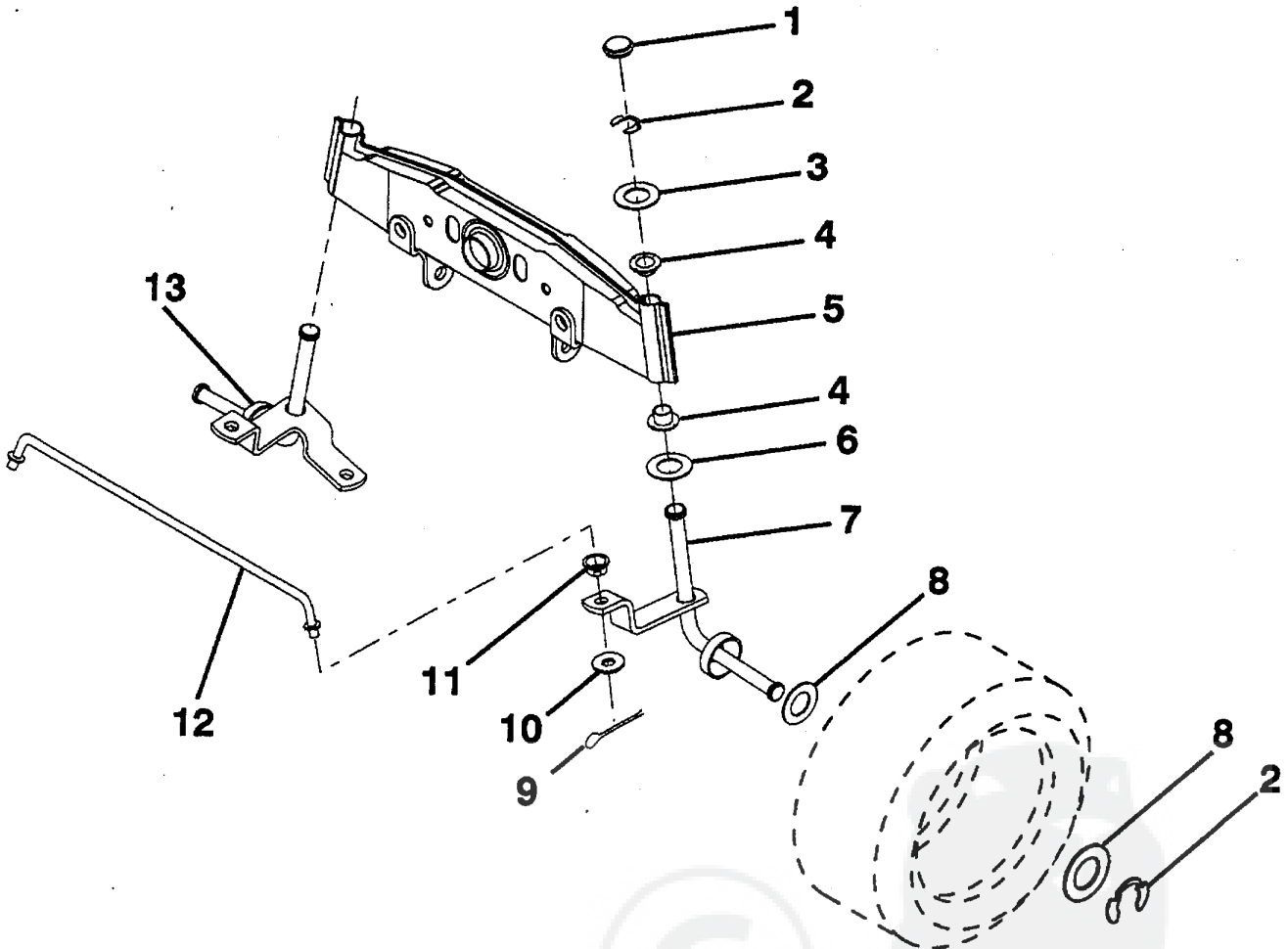
NOTE: All component dimensions given in U.S. inches.
1 inch = 25.4 mm

HARDWARE SHOWN LARGER FOR EASIER IDENTIFICATION

REPAIR PARTS

10 HP 36" LAWN RIDER - - MODEL NUMBER RE10L36B

FRONT AXLE



KEY NO.	PART NO.	DESCRIPTION	KEY NO.	PART NO.	DESCRIPTION
1	121232X	Cap, Spindle	10	19131316	* Washer 13/32 x 13/16 x 16 Gauge
2	12000029	Ring, Clip	11	126847X	Bushing
3	121748X	Washer 25/32 x 1-5/8 x 16 Gauge	12	121924X	Rod, Tie
4	121922X	Nylon Liner	13	121916X	Spindle Assembly, L.H.
5	121914X	Axle, Front			
6	6266H	Bearing, Thrust			
7	121919X	Spindle Assembly, R.H.			
8	121749X	Washer 25/32 x 1-1/4 x 16 Gauge			
9	76020412	* Pin, Cotter 1/8 x 3/4			

* STANDARD HARDWARE - - PURCHASE LOCALLY

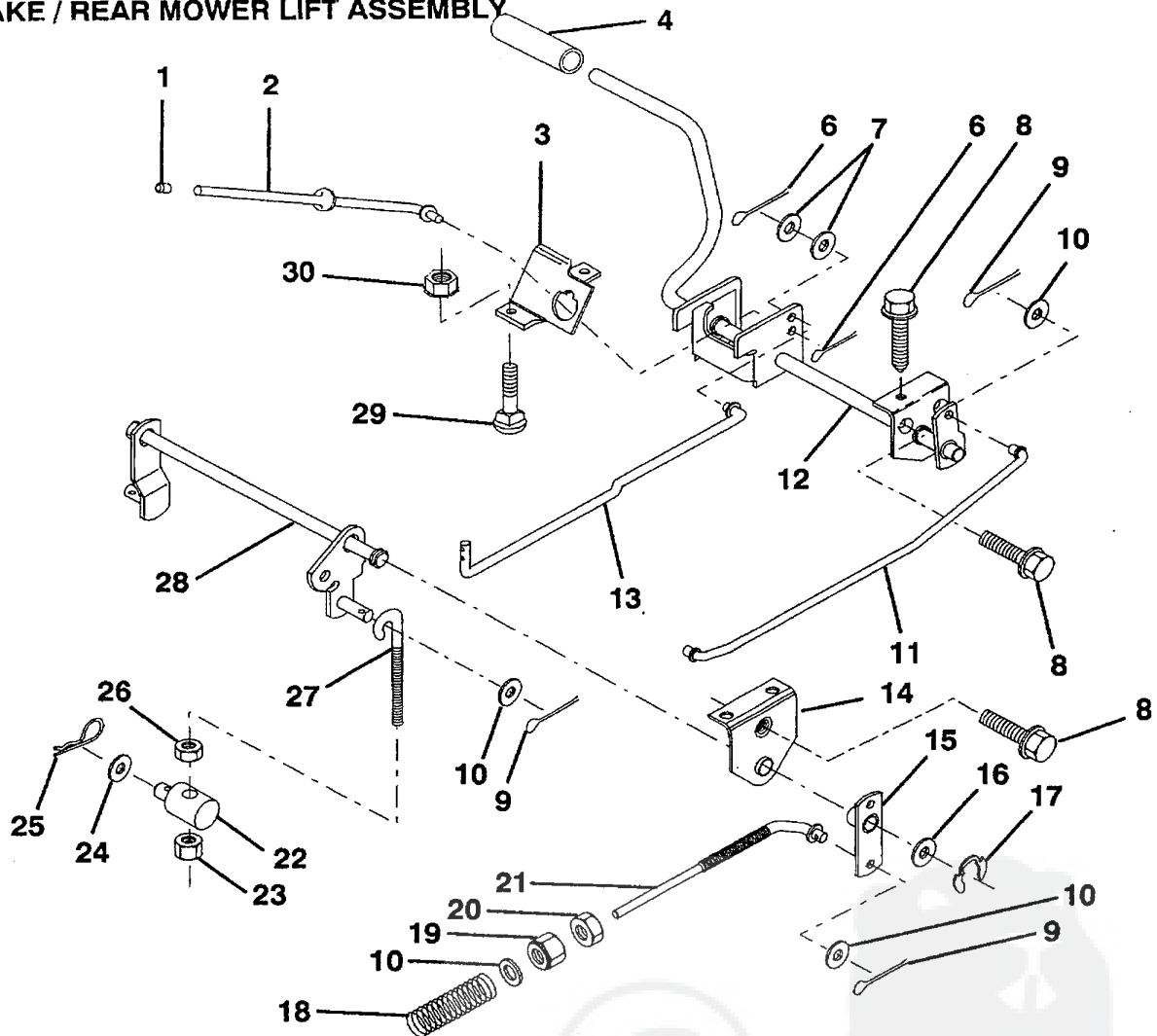
NOTE: All component dimensions given in U.S. inches
1 inch = 25.4 mm

HARDWARE SHOWN LARGER FOR EASIER IDENTIFICATION

REPAIR PARTS

10 HP 36" LAWN RIDER - - MODEL NUMBER RE10L36B

BRAKE / REAR MOWER LIFT ASSEMBLY



KEY NO.	PART NO.	DESCRIPTION
1	71673	Cap, Parking Brake
2	123436X	Rod, Parking Brake
3	123437X	Bracket, Parking Brake
4	8156H	Cover, Pedal
6	76020312	* Pin, Cotter 3/32 x 3/4
7	19131016	* Washer 13/32 x 5/8 x 16 Gauge
8	17490508	Screw, Hex, Thd. Roll. 5/16-18 x 1/2
9	76020412	* Pin, Cotter 1/8 x 3/4
10	19131316	* Washer 13/32 x 13/16 x 16 Gauge
11	131656	Rod, Front Brake
12	133483	Assembly, Clutch/Brake Pedal
13	123394X	Rod, Clutch
14	121978X	Bracket, Lift, Shaft
15	133332	Assembly, Brake, Pivot, Arm
16	19251816	Washer 25/32 x 1-1/8 x 16 Gauge
17	12000034	Ring, Klip

KEY NO.	PART NO.	DESCRIPTION
18	106888X	Spring, Brake Rod
19	73800600	Locknut, Hex 3/8-16
20	73350600	* Nut, Hex, Jam 3/8-16 UNC
21	131460	Rod, Rear Brake
22	127378	Trunnion, Lift
23	73680600	Nut, Crownlock 3/8-16 UNC
24	19132012	Washer 13/32 x 1-1/4 x 12 Gauge
25	4921H	Spring, Retainer
26	73930600	* Nut, Centerlock 3/8-16 UNC
27	127369	Link, Threaded
28	127358	Assembly, Rear Mower Lift
29	72110506	* Bolt, Carriage 5/16-18 UNC x 3/4
30	73510500	* Nut, Keps 5/16-18 UNC

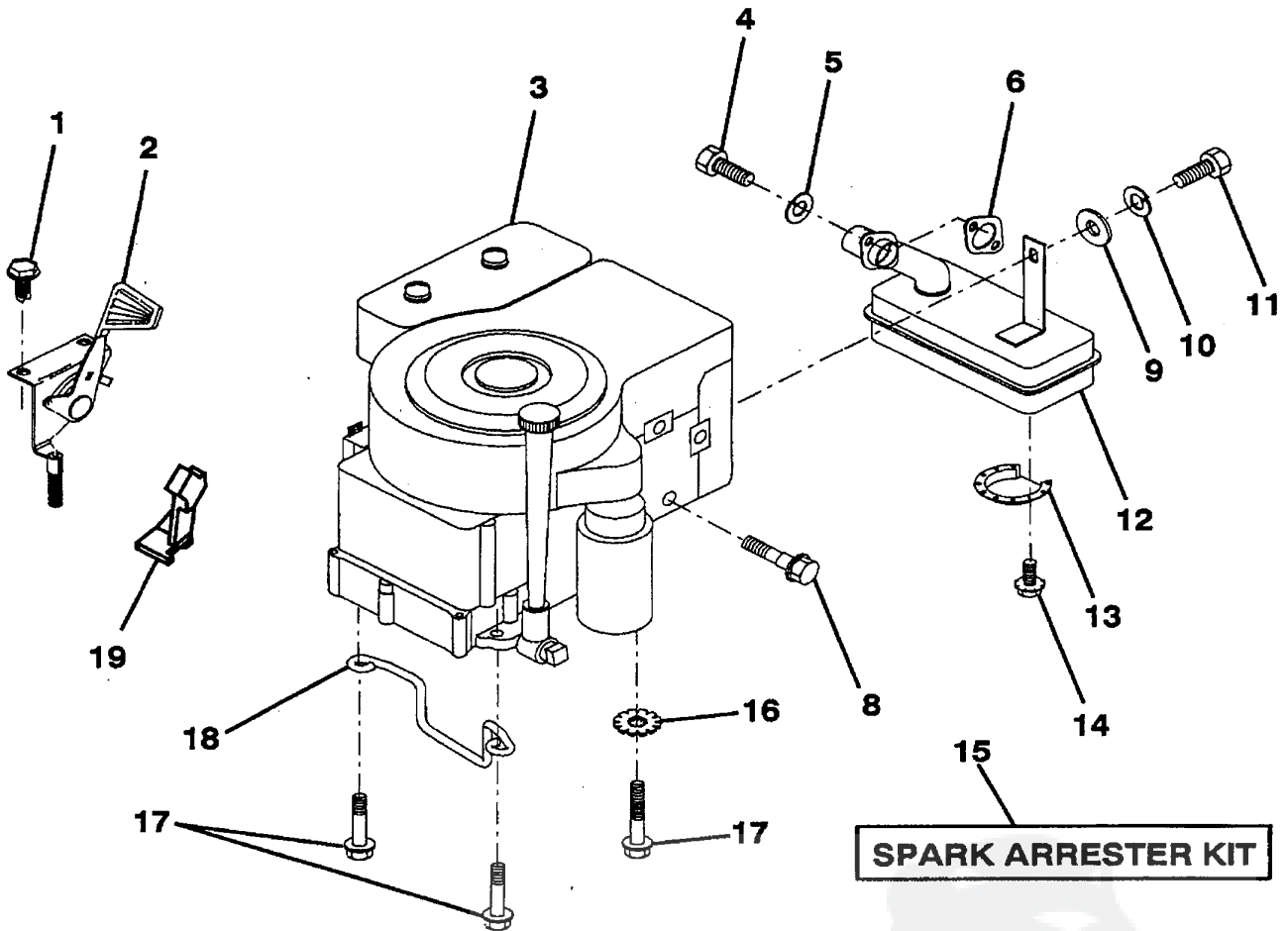
* STANDARD HARDWARE - - PURCHASE LOCALLY
NOTE: All component dimensions given in U.S. inches
 1 inch = 25.4 mm

HARDWARE SHOWN LARGER FOR EASIER IDENTIFICATION

REPAIR PARTS

10 HP 36" LAWN RIDER - - MODEL NUMBER RE10L36B

ENGINE / THROTTLE



KEY PART NO. NO.

KEY PART NO.	NO.	DESCRIPTION
1	17720408	Screw, Hex, Thread Cutting 1/4-20 x 1/2
2	133025	Control, Throttle
3	131995	Engine, Briggs and Stratton, 10 HP
4	71070512	Screw, Hex Head Cap 5/16-18 x 3/4
5	10040500	*Washer, Lock, Heavy Helical Spring 5/16
6	125593X	Gasket, Exhaust
8	121094X	Bolt, Shoulder 5/16 UNC
9	19101216	Washer 5/16 x 3/4 x 16 Gauge
10	10040400	*Washer, Lock, Heavy Helical Spring 1/4
11	74780420	*Bolt, Hex, Fin 1/4-20 UNC x 1-1/2
12	123676X	Muffler

KEY PART NO. NO.

KEY PART NO.	NO.	DESCRIPTION
13	101326L	Deflector, Muffler
14	17030808	Screw, Hex, Spiderlock #8 x 1/2 ABTPS
15	121851X	Kit, Spark Arrester (Optional)
16	11050600	*Washer, Lock, External Tooth 3/8
17	17490624	Screw, Hex Washer Head, Thd. Roll. 3/8-16 x 1-1/2
18	126636X	Keeper, Ground Drive Belt
19	133097	Stop, Throttle

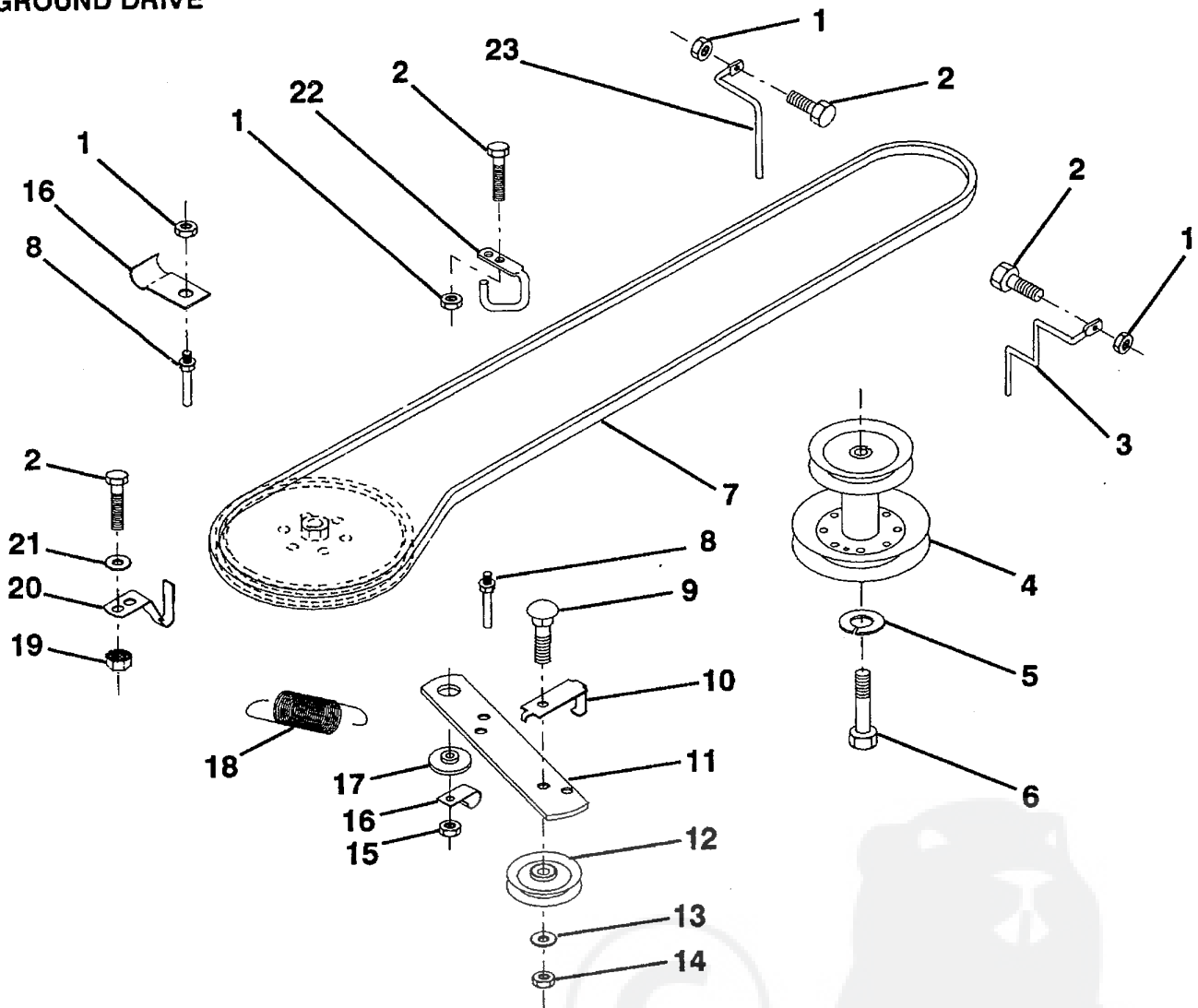
* STANDARD HARDWARE - - PURCHASE LOCALLY
NOTE: All component dimensions given in U.S. inches

HARDWARE SHOWN LARGER FOR EASIER IDENTIFICATION

REPAIR PARTS

10 HP 36" LAWN RIDER - - MODEL NUMBER RE10L36B

GROUND DRIVE



KEY NO.	PART NO.	DESCRIPTION	KEY NO.	PART NO.	DESCRIPTION
1	73680500	* Nut, Crownlock 5/16-18	13	19131316	* Washer 13/32 x 13/16 x 16 Gauge
2	74760512	* Bolt, Hex 5/16-18 UNC x 3/4	14	73930600	Nut, Centerlock 3/8-16 UNC
3	131205	Keeper, Mower Drive Belt, Engine, R.H.	15	73680600	* Nut, Crownlock 3/8-16 UNC
4	134828	Pulley, Engine	16	126471X	Clip, Insulated
5	10040700	* Washer, Lock, Heavy Helical Spring 7/16	17	122052X	Spacer, Retainer
6	71170744	Bolt, Hex, 7/16-20 x 2-3/4 Grade 5	18	131459	Spring, Extension
7	124525X	Traction, V-Belt Drive	19	73510500	* Nut, Keps 5/16-18 UNC
8	123405X	Keeper, T/A Ground Drive Belt	20	123891X	Keeper, T/A Ground Drive Belt
9	72140612	* Bolt, Carriage 3/8-16 UNC x 1-1/2	21	19111016	* Washer 11/32 x 5/8 x 16 Gauge
10	123396X	Keeper, Ground Drive Belt, Idler	22	123404X	Keeper, Ground Drive Belt, Frame
11	123395X	Arm, Ground Drive Clutch	23	131204	Keeper, Mower Drive Belt, L.H.
12	4859J	Idler, Flat			

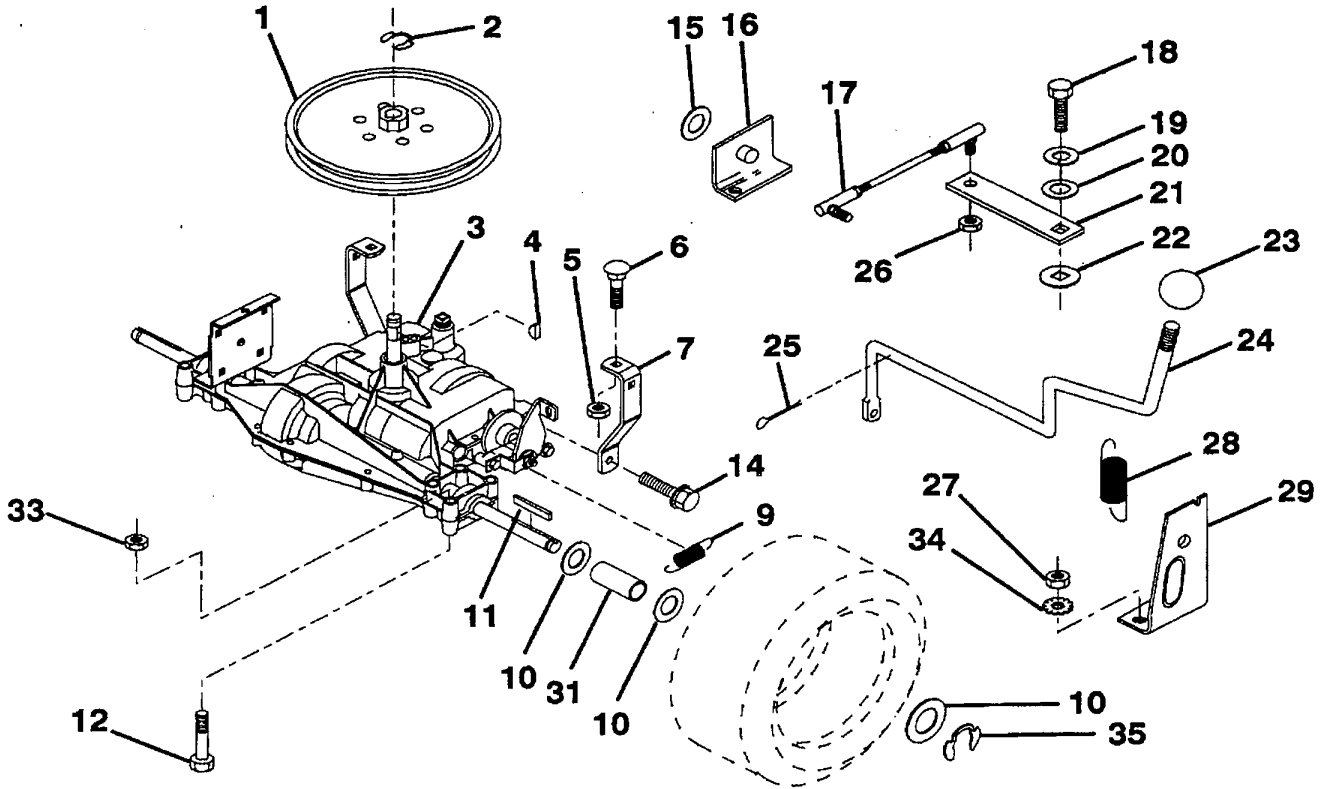
* STANDARD HARDWARE - - PURCHASE LOCALLY
 NOTE: All component dimensions given in U.S. inches
 1 inch = 25.4 mm

HARDWARE SHOWN LARGER FOR EASIER IDENTIFICATION

REPAIR PARTS

10 HP 36" LAWN RIDER - - MODEL NUMBER RE10L36B

TRANSAXLE



KEY NO.	PART NO.	DESCRIPTION	KEY NO.	PART NO.	DESCRIPTION
1	123385X	Pulley	19	10040400	* Washer, Lock 1/4
2	12000028	Ring, Retainer	20	19091210	Washer 9/32 x 3/4 x 10 Gauge
3	123383X	Transaxle Model Number 4360-15	21	123484X	Arm, Shift
4	2228M	* Key, Woodruff #9	22	105701X	Washer, Shift Plate
5	73680500	* Nut, Crownlock 5/16-18	23	106933X	Knob, Shift Control
6	72140506	* Bolt, Carriage 5/16-18 UNC x 3/4	24	128215	Handle, Rod
7	123378X	Strap, Torque	25	76020416	* Pin, Cotter 1/8 x 1
9	110422X	Spring, Brake	26	73810500	* Nut, Hex, Nylon 5/16-24 UNF
10	121749X	Washer 25/32 x 1-1/4 x 16 Gauge	27	73510500	* Nut, Keps 5/16-18
11	123583X	Key, Square	28	128085	Spring, Extension
12	74760644	Bolt Fin Hex 5/16-18 x 2-1/2	29	128084	Support, Handle, Shift, R.H.
14	17490512	Screw 5/16-18 x 3/4	31	123409X	Spacer, Split
15	19171616	Washer 17/32 x 16 Ga.	33	73680600	Nut, Crownlock 3/8 - 16 UNC
16	124600X	Support, Handle, Shift, L.H.	34	11050500	Washer, Lock, External Tooth 5/16
17	126293X	Link, Shift	35	12000001	E-Ring
18	71040412	Bolt, Hex, Fin. 1/4-28 UNF x 3/4 Grade 8			

* STANDARD HARDWARE - - PURCHASE LOCALLY

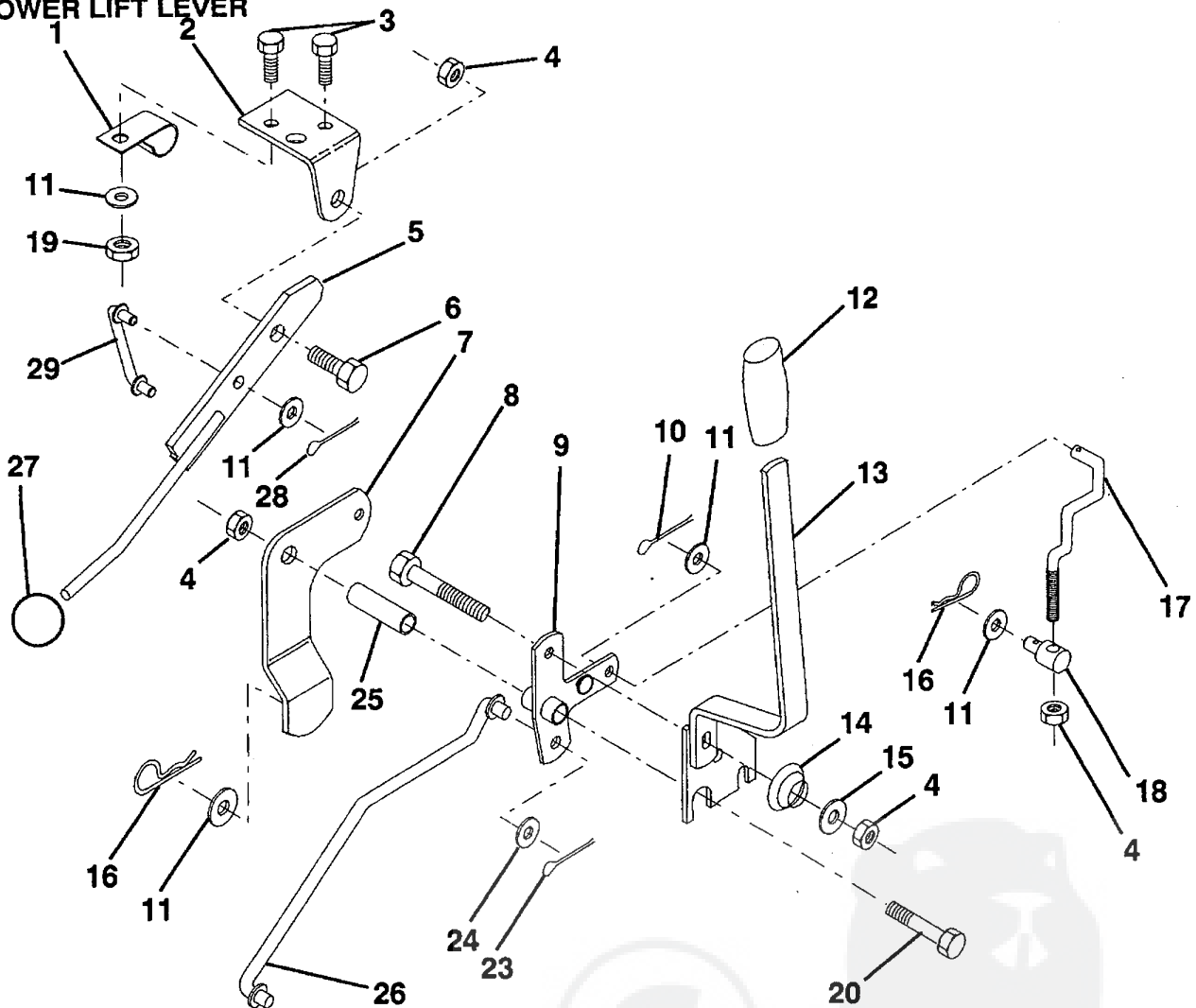
NOTE: All component dimensions given in U.S. inches
1 inch = 25.4 mm

HARDWARE SHOWN LARGER FOR EASIER IDENTIFICATION

REPAIR PARTS

10 HP 36" LAWN RIDER - - MODEL NUMBER RE10L36B

MOWER LIFT LEVER



KEY NO.	PART NO.	DESCRIPTION
1	126470X	Clip, Insulated
2	122018X	Bracket, Mower Clutch
3	74780408	Bolt, Hex, Fin 1/4-20 UNC x 1/2 Grade 5
4	73680600	* Nut, Crownlock 3/8-16 UNC
5	123417X	Assembly, Clutch Lever
6	106451X	Bolt, Shoulder
7	1235371	Assembly, Mower Clutch Arm
8	74760636	* Bolt, Hex 3/8-16 UNC x 2-1/4
9	121930X	Assembly, Bellcrank, Lift
10	76020412	Pin, Cotter 1/8 x 3/4
11	19131316	* Washer 13/32 x 13/16 x 16 Gauge
12	131861	Sleeve, Handle
13	127028	Assembly, Lift Handle
14	123496X	Spring, Compression
15	19131212	Washer 13/32 x 3/4 x 12 Gauge
16	4921H	Retainer, Spring

KEY NO.	PART NO.	DESCRIPTION
17	127359	Link, Front Lift
18	133205	Trunnion, Threaded 3/8-16
19	73680400	Nut, Crownlock 1/4-20
20	74760644	* Bolt, Hex, Fin. 3/8-16 UNC x 2-3/4
23	76020416	* Pin, Cotter 1/8 x 1
24	19171616	* Washer 17/32 x 1 x 16 Gauge
25	121933X	Tube, Spacer
26	121934X	Rod, Mower Lift
27	102701X	Grip
28	76020312	* Pin, Cotter 3/32 x 3/4
29	131655	Link, Mower Clutch

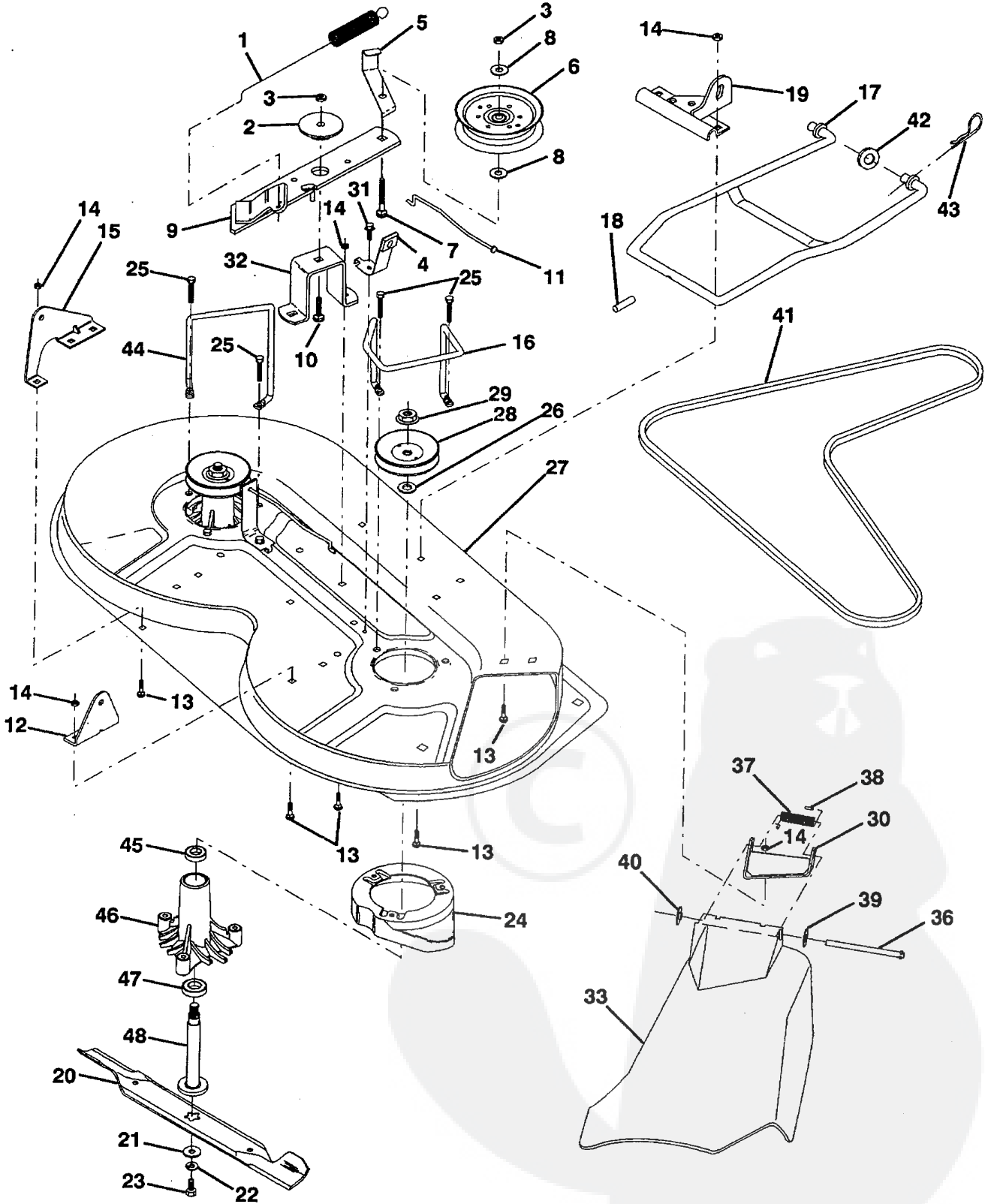
* STANDARD HARDWARE - - PURCHASE LOCALLY
 NOTE: All component dimensions given in U.S. inches
 1 inch = 25.4 mm

HARDWARE SHOWN LARGER FOR EASIER IDENTIFICATION

REPAIR PARTS

10 HP 36" LAWN RIDER -- MODEL NUMBER RE10L36B

MOWER DECK



REPAIR PARTS

10 HP 36" LAWN RIDER - - MODEL NUMBER RE10L36B

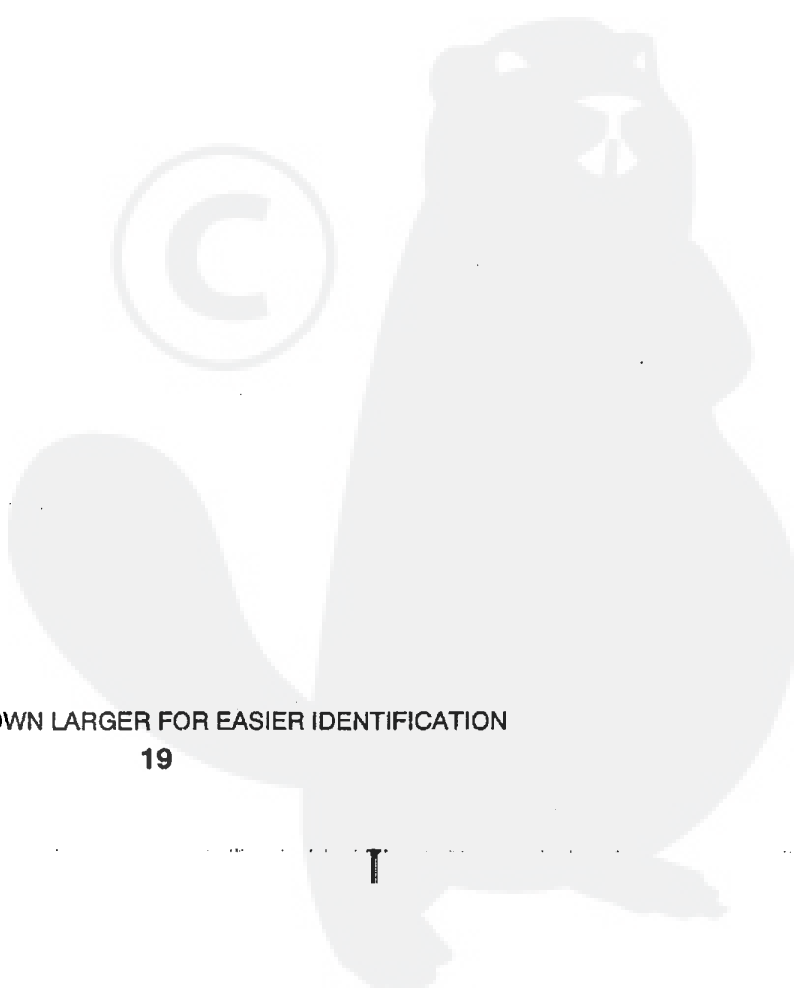
MOWER DECK

KEY NO.	PART NO.	DESCRIPTION	KEY NO.	PART NO.	DESCRIPTION
1	127743	Spring, Mower Clutch	27	129983	Housing, Mower
2	122052X	Spacer, Retainer	28	129207	Pulley, Mandrel
3	73680600	* Nut, Crownlock 3/8-16 UNC	29	73050900	Nut, Flangelock 9/16
4	130840	Assembly, Brake	30	126361X	Bracket, Deflector
5	131251	Guide, Belt Idler	31	17490508	Screw, Hex Washer Head, Thd. Roll. 5/16-18 x 1/2
6	121316X	Idler, Flat	32	122051X	Arm, Support Idler, Mower
7	72110616	Bolt, Carriage 3/8-16 x 2 Grade 5	33	131560	Shield, Deflector
8	19131410	Washer 13/32 x 7/8 x 10 Gauge	36	121980X	Rod, Hinge
9	127744	Assembly, Mower Idler Arm	37	123713X	Spring, Torsion Deflector
10	72110608	Bolt, Carriage 3/8-16 UNC x 1	38	105304X	Cap, Sleeve
11	130841	Rod, Brake	39	19111016	Washer 11/32 x 5/8 x 16 Gauge
12	127356	Bracket, Rear Lift, R.H.	40	110452X	Nut, Push
13	72140505	* Bolt, Carriage 5/16-18 UNC x 5/8	41	131264	V-Belt
14	73680500	* Nut, Crownlock 5/16-18	42	19171616	Washer 11/32 x 5/8 x 16 Gauge
15	127357	Bracket, Rear Lift, L.H.	43	3146R	Clip, Hairpin
16	130837	Keeper, R.H.	44	130836	Keeper, L.H.
17	128508	Stabilizer, Mower Link	45	110485X	Bearing
18	128511	Pin, Drive	46	128774	Housing, Mandrel, Vented
19	127380	Bracket, Stabilizer Link	47	129895	Bearing
20	127841	Blade	48	133172	Shaft, Mandrel
21	129962	Washer, Hard	--	130794	Mandrel Assembly (Includes Key Numbers 22, 23, 26, 29 and 45-48)
22	10030600	* Washer, Lock, Heavy 3/8			
23	850857	Bolt 3/8-24 x 1-1/4 Grade 8			
24	128961	Stripper			
25	78158	Bolt 5/16-18 x 1-1/4			
26	129963	Washer .150 Thick			

* STANDARD HARDWARE - - PURCHASE LOCALLY

NOTE: All component dimensions given in U.S. inches
1 inch = 25.4 mm

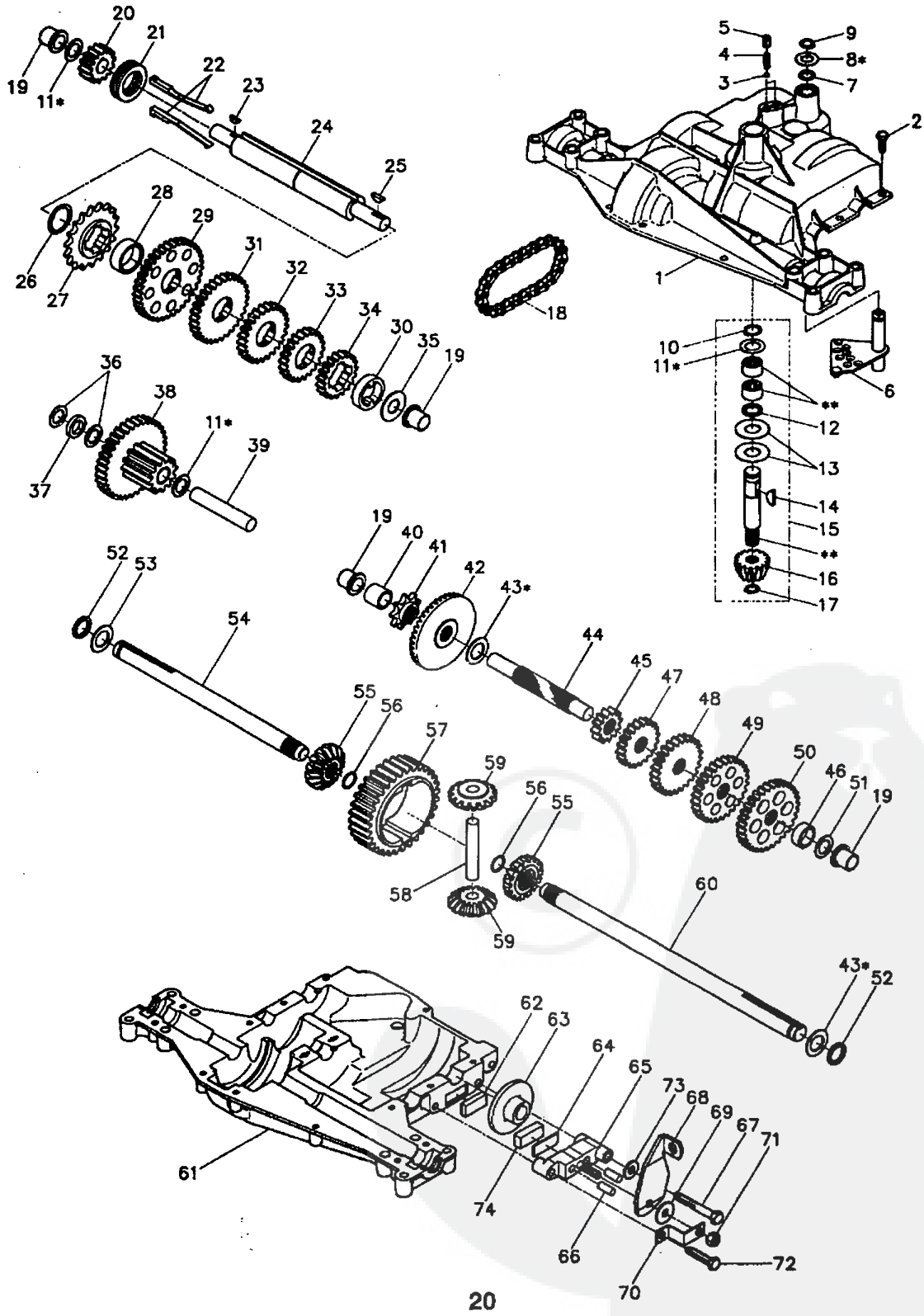
HARDWARE SHOWN LARGER FOR EASIER IDENTIFICATION



REPAIR PARTS

10 HP 36" LAWN RIDER - - MODEL NUMBER RE10L36B

FOOTE TRANSAXLE - MODEL NUMBER 4360-15



REPAIR PARTS

10 HP 36" LAWN RIDER - - MODEL NUMBER RE10L36B

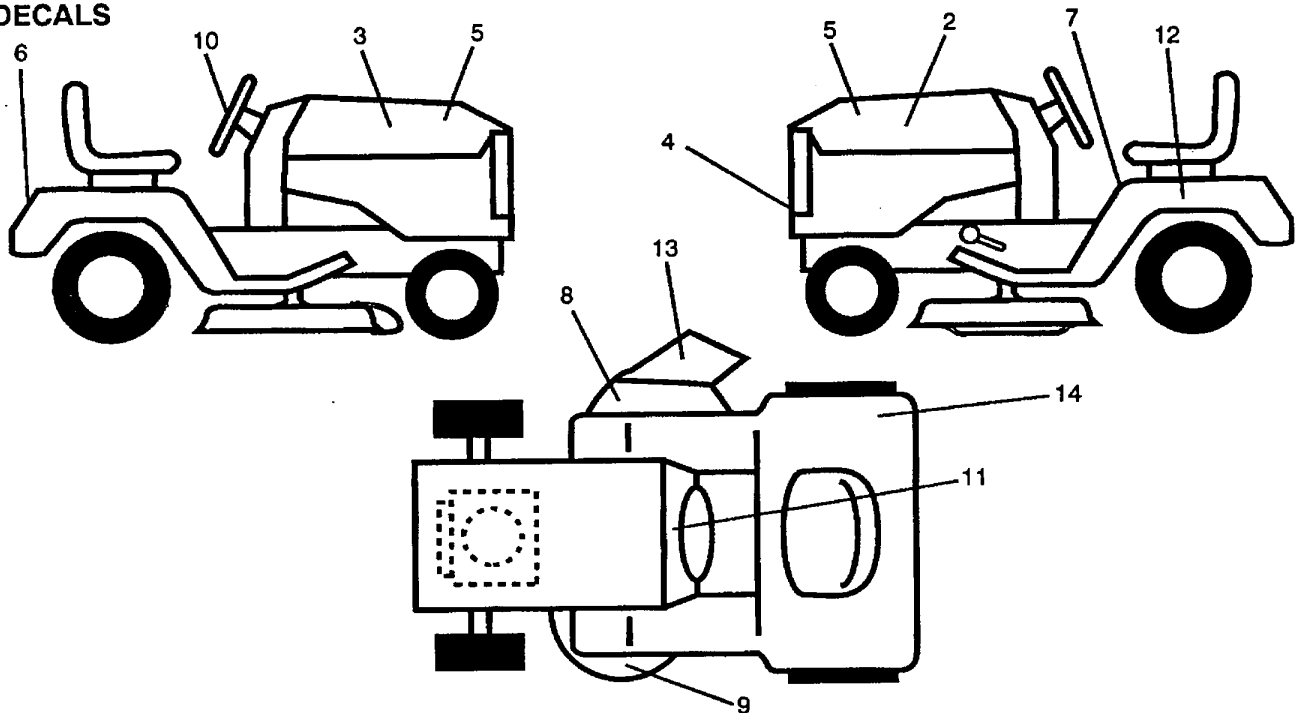
FOOTE TRANSAXLE - MODEL NUMBER 4360-15

KEY PART NO.	KEY PART NO.	DESCRIPTION	KEY PART NO.	DESCRIPTION
1	3865	Housing, Upper	41	3645 Sprocket, 9 Teeth
2	1919	Screw, Tapping, Large 1/4-20 x .734	42	3853 Gear, Bevel, 42 Teeth
3	1151	Ball, Detent	43	3749 *Washer, Plain .758 x 1.12 x .010
4	3626	Spring, Detent		3652 *Washer, Plain .758 x 1.12 x .015
5	3623	Screw, Set		3693 *Washer, Plain .758 x 1.12 x .020
6	4336	Shifter Assembly		3653 *Washer, Plain .758 x 1.12 x .025
7	3884	O-Ring		3408 *Washer, Plain .758 x 1.25 x .020
8	3885	*Washer, Plain .505 x .942 x .006		3732 *Washer, Plain .758 x 1.25 x .025
	3886	*Washer, Plain .505 x .942 x .010		3184 *Washer, Plain .758 x 1.25 x .031
	3887	*Washer, Plain .505 x .942 x .015		3733 *Washer, Plain .758 x 1.25 x .035
	3888	*Washer, Plain .505 x .942 x .020		3198 *Washer, Plain .758 x 1.25 x .040
	3889	*Washer, Plain .505 x .942 x .026		3734 *Washer, Plain .758 x 1.25 x .045
	3121	*Washer, Plain .505 x .942 x .030		3735 *Washer, Plain .758 x 1.25 x .050
	3890	*Washer, Plain .505 x .942 x .040		3736 *Washer, Plain .758 x 1.25 x .055
9	1100	Ring, Retaining		3180 *Washer, Plain .758 x 1.25 x .062
10	1099	Ring, Retaining	44	3882 Shaft, Drive
11	1959	*Washer, Plain .632 x 1.00 x .010	45	3646 Gear, Spur, 12 Teeth
	1441	*Washer, Plain .632 x 1.00 x .020	46	3684 Spacer .781 x 1.00 x .750
	1423	*Washer, Plain .632 x 1.00 x .026	47	3866 Gear, Spur, 20 Teeth
	1082	*Washer, Plain .632 x 1.00 x .031	48	3719 Gear, Spur, 25 Teeth
	1424	*Washer, Plain .632 x 1.00 x .036	49	3906 Washer, Plain .343 x .81 x .059
	1068	*Washer, Plain .632 x 1.00 x .041	50	3683 Gear, Spur, 31 Teeth
	1425	*Washer, Plain .632 x 1.00 x .046	51	1145 Washer, Plain .632 x 1.00 x .060
	1358	*Washer, Plain .632 x 1.00 x .050	52	3191 Seal, Felt
	1145	*Washer, Plain .632 x 1.00 x .060	53	3180 Washer, Plain .758 x 1.25 x .062
	1319	*Washer, Plain .632 x 1.00 x .082	54	3980 Axle, Left Hand
12	3312	O-Ring	55	3780 Gear, Miter, 15 Teeth
13	3876	Washer, Plain .632 x 1.38 x .046	56	3656 Ring, Retaining
14	1374	Key, Woodruff #9	57	3839 Gear, Spur, 32 Teeth
15	4134	Kit, Input Shaft Assembly	58	3919 Shaft, Cross
16	3590	Pinion, Bevel, 14 Teeth	59	3781 Gear, Miter, 15 Teeth
17	3624	Ring, Retaining	60	3981 Axle, Right Hand
18	3625	Chain, 24 Pitches	61	3864 Housing, Lower
19	1542	Bearing, Flange	62	3920 Puck, Friction
20	3773	Gear, Spur, 14 Teeth	63	3276 Brake, Disc
21	3631	Collar, Clutch	64	3758 Spacer
22	3828	Key, Clutch	65	3916 Jaw, Brake
23	1369	Key, Woodruff #3	66	3843 Pin, Dowel
24	3883	Shaft, Intermediate	67	3915 Screw, Tapping, Large 5/16-18 x 2.25
25	1375	Key, Woodruff #61	68	3768 Lever, Actuating
26	3627	Ring, Retaining	69	3760 Washer, Plain .321 x 1.00 x .055
27	3830	Sprocket, 18 Teeth	70	3917 Bracket, Anti-Rotation
28	3841	Spacer	71	3847 Locknut 5/16-24
29	3786	Gear, Spur, 37 Teeth	72	3724 Screw, Tapping, Large 5/16-18 x 1.44
30	3685	Spacer 1.133 x 1.50 x .750		Grease
31	3867	Gear, Spur, 30 Teeth	73	4300
32	3783	Gear, Spur, 25 Teeth		* Use In Various Combinations to Maintain Proper Clearances
33	3907	Puck, Friction		** Order Key Number 15
34	3741	Gear, Spur, 19 Teeth		NOTE: All component dimensions given in U.S. inches 1 inch = 25.4 mm
35	3628	Washer, Plain .640 x 1.37 x .061		
36	1423	Washer, Plain .632 x 1.00 x .026		
37	3422	Spacer .630 x 1.00 x .169		
38	4286	Assembly, Gear, Combination of 12 Teeth and 35 Teeth		
39	3877	Shaft, Idler		
40	3901	Spacer .635 x .875 x .755		

REPAIR PARTS

10 HP 36" LAWN RIDER - - MODEL NUMBER RE10L36B

DECALS



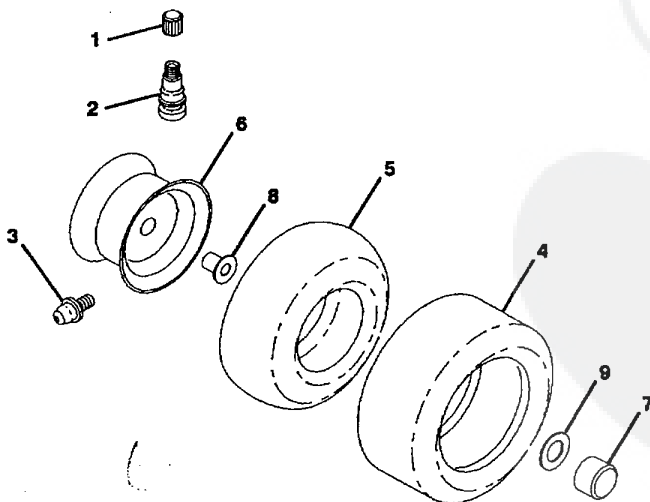
KEY PART NO. NO.

KEY PART NO.	NO.	DESCRIPTION
2	130569	Decal, Stripe, Hood, L.H.
3	130568	Decal, Stripe, Hood, R.H.
4	132627	Decal, Grill
5	127032	Decal, HP, Hood
6	132628	Decal, Fender
7	120822X	Decal, Caution
8	123658X	Decal, Danger

NO. NO.

9	109820X	Decal, Rotating Blades
10	127075	Decal, Steering Wheel Insert
11	123637X	Decal, Operating Instructions
12	121549X	Decal, Caution, Battery
13	123649X	Decal, Warning, Deflector
14	125690X	Decal 100 DbA
--	133626	Manual, Operator's (English)
--	131745	Manual, Operator's (French)
--	134033	Manual, Repair Parts (English/French)

WHEELS



KEY PART NO. NO.

KEY PART NO.	NO.	DESCRIPTION
1	59192	Cap, Valve
2	65139	Stem, Valve
3	278H	Fitting, Grease (Front Only)
4	124142X	Tire, Front
	124143X	Tire, Rear
5	59904	Tube, Tire, Front
	8134H	Tube, Tire, Rear
		(Optional, Service Item Only)
6	122394X311	Rim Assembly, Front
	123412X311	Rim Assembly, Rear
		(Optional, Service Item Only)
7	104757X	Cap, Axle
8	9040H	Bearing, Flange (Front Only)
9	121748X	Washer, Axle Cap