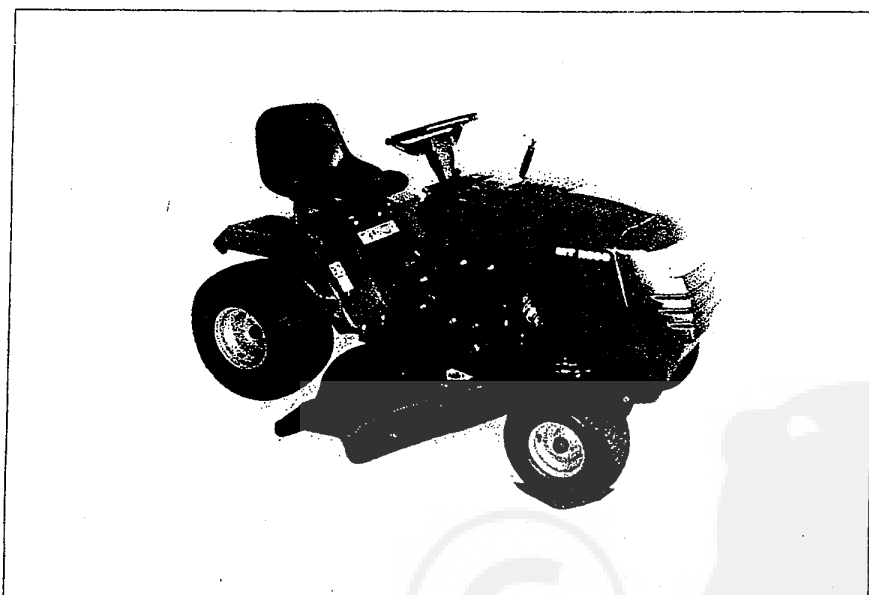




MOTEC MT E500

MOTEC MT E500Y



107 cm, 2 lames
15 cv B&S Vanguard OHV
6 av+1ar ou option hydrostat.
15x6 et 18x8
225 L en option
latérale
5 pos. de 2,5 à 9 cm
lumières, siège à ressort

Largeur de coupe
Puissance
Vitesses
Pneux
Bac de ramassage
Ejection
Règlage de hauteur
Equipement

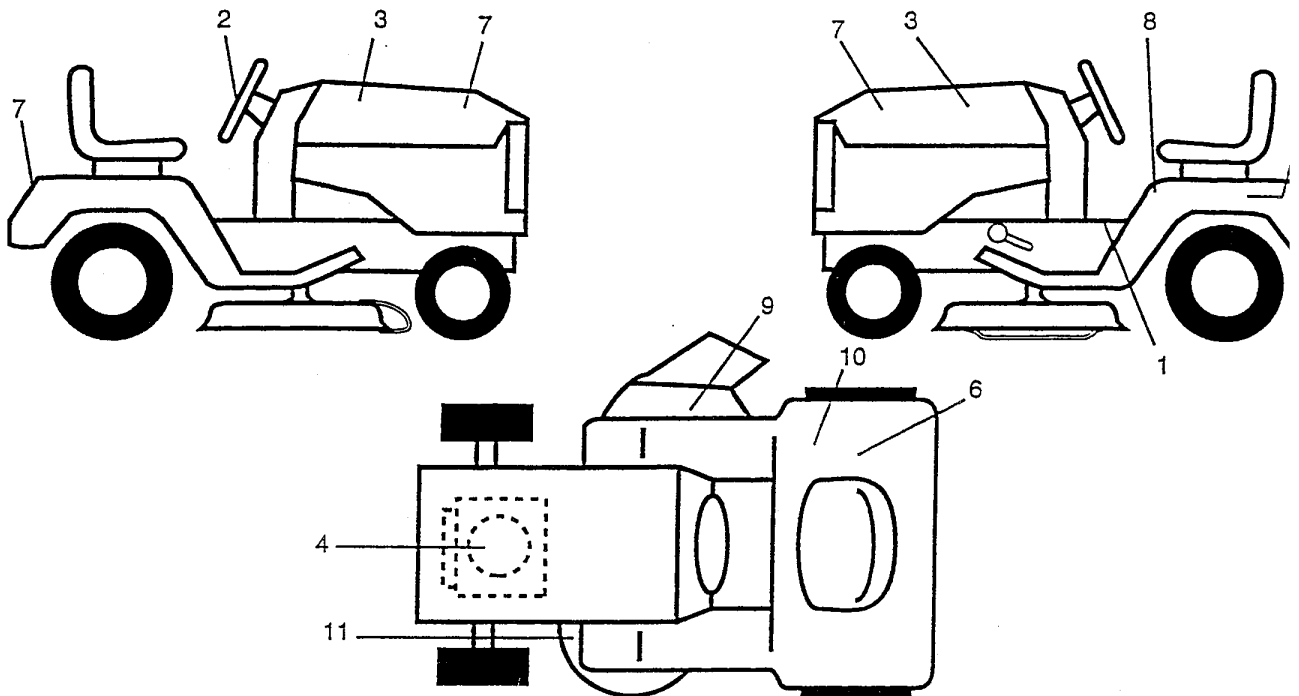
107 cm, 2 messen
15 pk B&S Vanguard OHV
6 + 1 (of hydrostatisch)
15x6 en 18x8
225 L (optie)
zijwaarts
5 pos 2,5 - 9 cm
lichten, geveerde zit

Snijbreedte
Motor
Versnellingen
Banden
Opvangbak
Uitworp
Hoogteregeling
Uitrusting

REPAIR PARTS

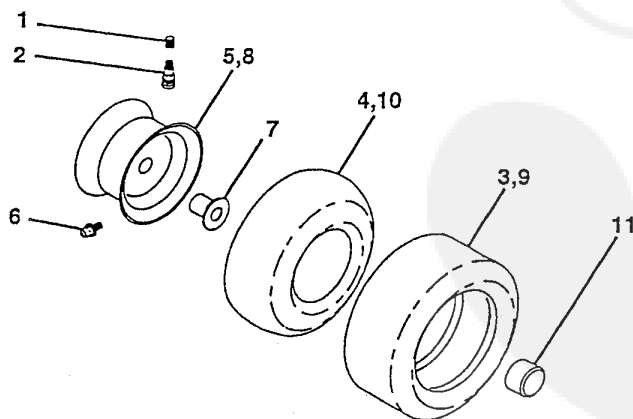
TRACTOR

DECALS



KEY NO.	PART NO.	DESCRIPTION	KEY NO.	PART NO.	DESCRIPTION
1	140837	Decal Saddle Brake Parking	--	145246	Pad Footrest
2	153679	Decal Steering Wheel Insert	--	145247	Fastener Pop-In Footrest
3	153677	Decal Hood Motec	--	138311	Decal Handle Lft Height Adjust
4	273216	Decal Hp Engine	--	151406	Manual Operators
6	125690X	Decal 100 DBA	--	151407	Manual Parts
7	153053	Nameplate Motec Large	Available accessories not included with tractor:		
8	145498	Decal Read Owner's Manual Syms	--	LBD48	Snow Blade
9	145494	Decal Mower Cut Finger Symbol	--	LSB42	Snow Blower
10	145437	Decal Europe Stand CE	--	LC05	33lb. Wheel Wts.
11	136832	Decal V-Belt Sch 38" & 42" Lt	--	CE42	Grass Catcher
13	146451	Decal Btry Dngr/Psn P/L Sym AC	--	CH208	Tire Chains
			--	MK420	Mulching Kit w/Blades

WHEELS AND TIRES



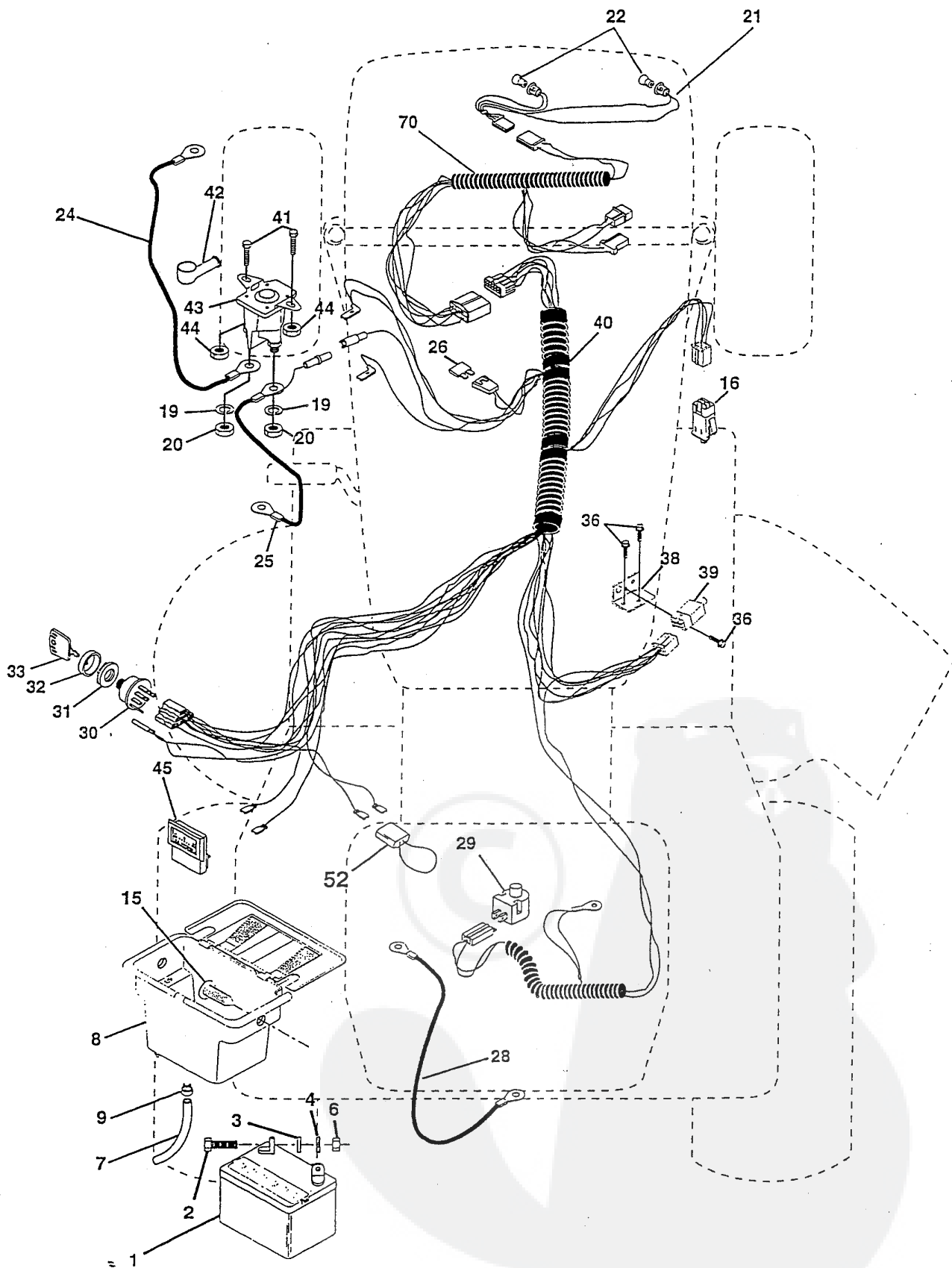
KEY NO.	PART NO.	DESCRIPTION
1	59192	Cap Valve Tire
2	65139	Stem Valve
3	106222X	Tire F Ts 15 X 6 0 - 6 Service
4	59904	Tube Front (Service Item Only)
5	106732X417	Rim Asm 6" front Silver Service
6	278H	Fitting Grease (Front Wheel Only)
7	9040H	Bearing Flange (Front Wheel Onl)
8	106108X417	Rim Asm 8" rear Silver Service
9	138468	Tire R Ts 20 x 8 - 8 C Service
10	7152J	Tube Rear (Service Item Only)
11	104757X	Cap Axle Blk 1 50 X 1 00
--	144334	Sealant, Tire (10 oz. Tube)

NOTE: All component dimensions given in U.S. inches
 .1 inch = 25.4 mm

REPAIR PARTS

TRACTOR

ELECTRICAL



REPAIR PARTS

TRACTOR

ELECTRICAL

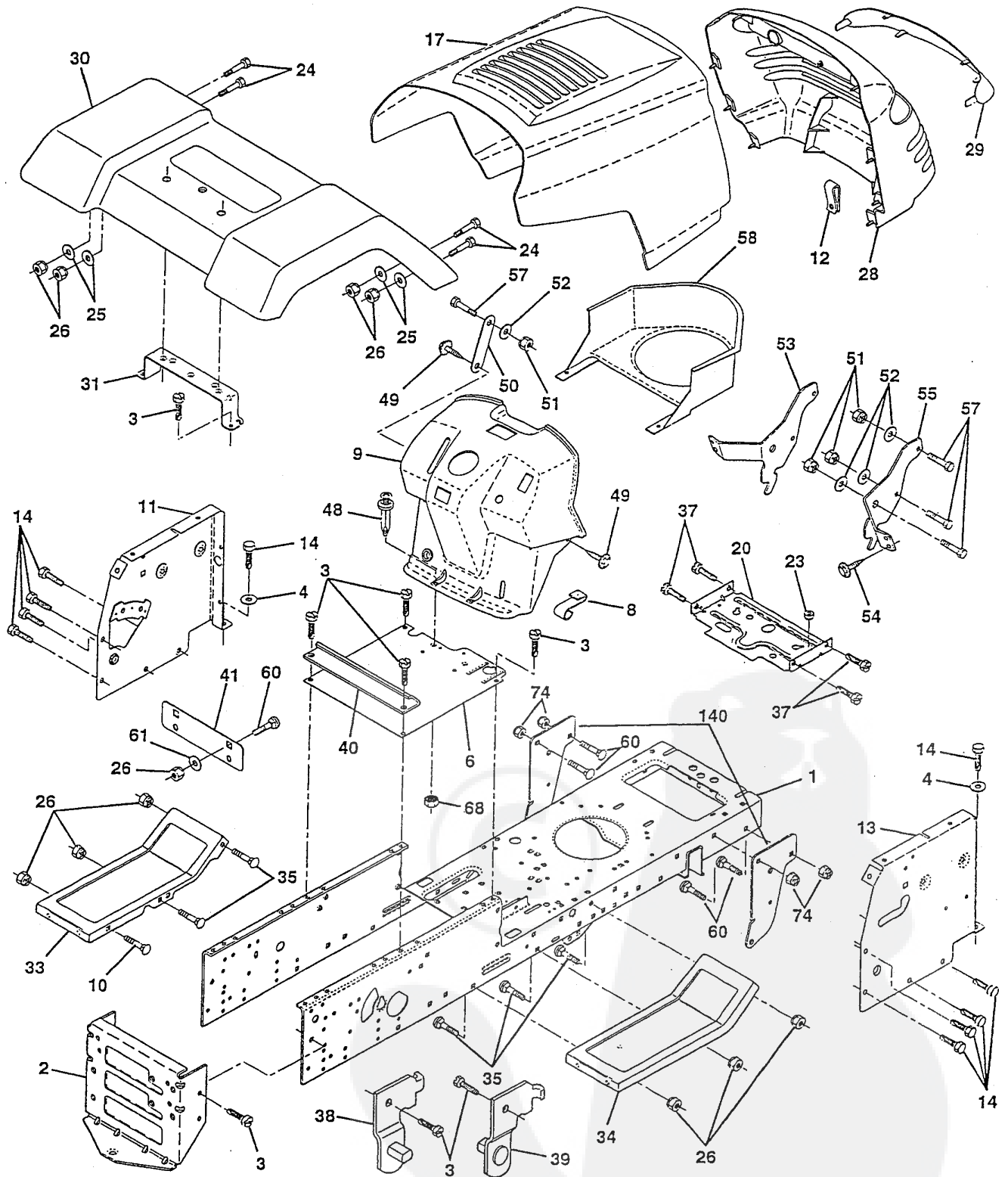
KEY NO.	PART NO.	DESCRIPTION
1	146139	Battery 12 Volt 25 Amp
2	74760412	Bolt Hex Hd 1/4-20unc X 3/4
3	19091016	Washer 9/32 X 5/8 X 16 Ga
4	10040400	Washer Lock Hvy Helical 1/4
6	73220400	Nut Fin Hex 1/4-20 Unc
7	109238X	Tube Plastic 12"
8	144940	Case Battery Hng. Mech. W/Lid
9	109596X	Clamp Hose Olive
15	147688	Fastener Snap-In
16	153664	Switch Interlock Push-In
19	10090400	Washer Lock 1/4
20	73350400	Nut Jam Hex 1/4-20 Unc
21	136850	Harness Socket Light W/4152J
22	4152J	Bulb, Light # 1156
24	4799J	Cable Battery 6 Ga 11" Red
25	146147	Cable Battery 6ga Red 44" W/16 wire
26	108824X	Fuse 30 Amp Auto Green
28	4207J	Cable Ground 6ga 12"black
29	121305X	Switch Plunger Nc Gray
30	140301	Switch Ign 4 Pos W/L P/L
31	124211X	Nut Ignition
32	141226	Cover Sw Key
33	122147X	Key Ign Molded Generic
36	17021008	Screw Hex Tapping # 10-24 Unc x 1/2
38	140336	Bracket Switch Interlock
39	109553X	Switch Interlock 4 Term
40	151212	Harness Ign
41	71110408	Bolt Fin Hex 1/4-20uncx1/2
42	131563	Cover Terminal Red
43	145673	Solenoid
44	73640400	Nut Keps Blk Hex 1/4-20 Unc
45	121433X	Ammeter Rectangular 6 Amp
48	140844	Adapter Ammeter Rectangular
52	141940	Protection Loop
70	141164	Harness Eng. Lt. P/L Vang.II.HL.

NOTE: All component dimensions given in U.S. inches
1 inch = 25.4 mm

REPAIR PARTS

TRACTOR

CHASSIS AND ENCLOSURES



REPAIR PARTS

TRACTOR

CHASSIS AND ENCLOSURES

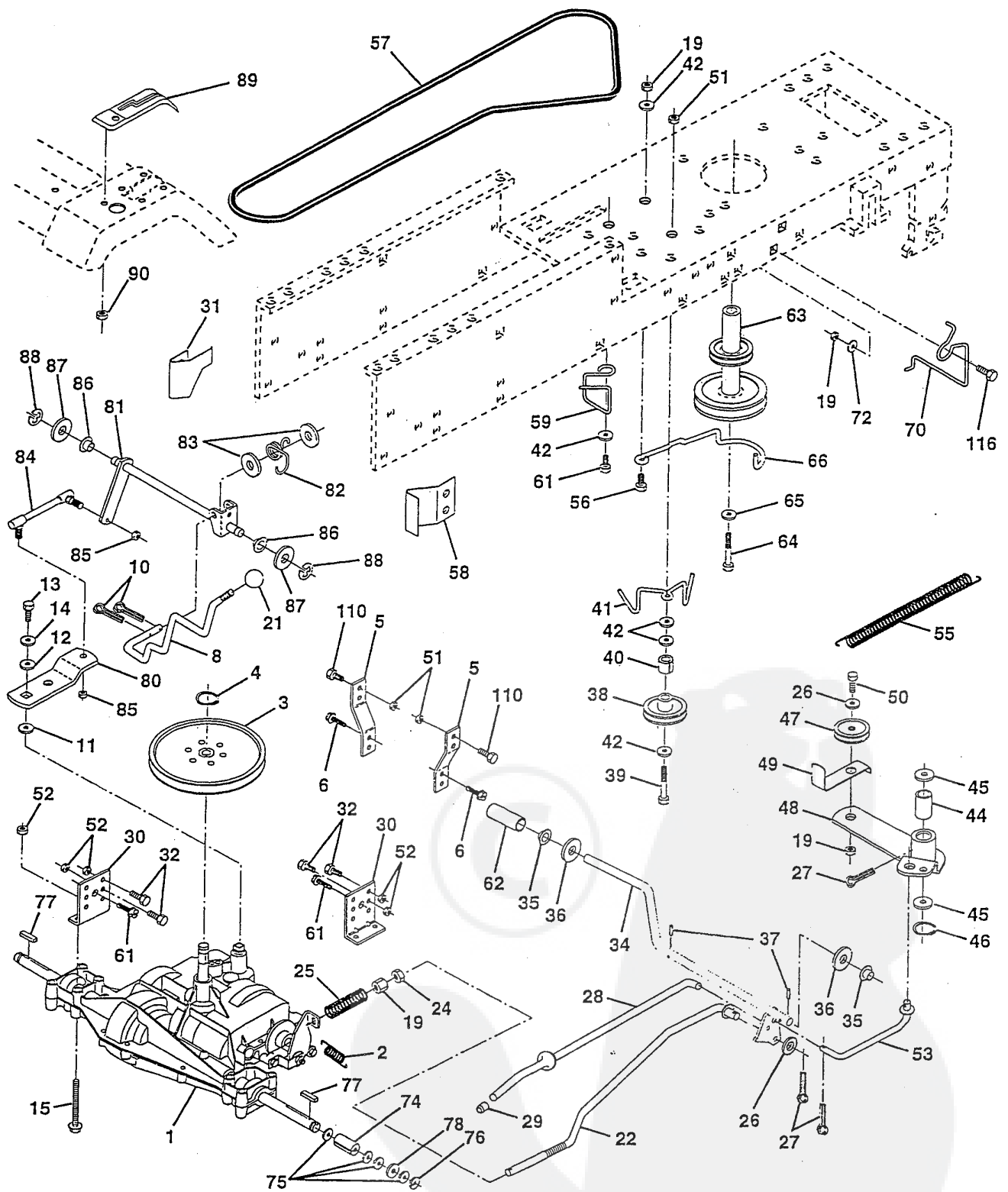
KEY NO.	PART NO.	DESCRIPTION
1	151169	Chassis Wldmt. 11Ga.
2	140356	Drawbar Stretch 94
3	17490612	Screw Thdrol. 3/8-16 x 3/4 Ty-Tt
4	19131216	Washer 13/32 x 3/4 x 16 Ga.
6	145206	Saddle Lt Fender Shift
8	126471X	Clip Insulator 406 Mtg Hole
9	140622	Dash Private Label
10	72140608	Bolt RdHd Sqnk. 3/8-16 Unc x 1
11	146965	Panel Asm Dash Lh
12	145660	Clip Tinnerman Grille P/L
13	146959	Panel Dash Rh
14	17490608	Screw Thdrol. 3/8-16 x 1/2 Ty-Tt
17	139394X505	Hood Pnt Steel Private Label
20	145210	Plate Mtg Battery/Fuel Tank
23	124028X	Bushing Snap Nyl. Blk Fuel Line
24	74780616	Bolt Fin Hex 3/8-16 Unc x 1 Gr. 5
25	19131312	Washer 13/32 x 13/16 x 12 Ga.
26	73800600	Nut Lock Hex w/Ins 3/8-16 Unc
28	153409	Grill Private Lable Ms-505
29	140273	Lens Grille Private label
30	140001X505	Fender Pnt Lt Ws Ni Ms-505 94
31	139976	Bracket Fender Support
33	145244X505	Footrest Pnt. Lh
34	145243X505	Footrest Pnt. Rh
35	72110606	Bolt RdHd Sht. Sqnk. 3/8-16 x 3/4
37	17490508	Screw Thdrol 5/16-18 x 1/2
38	139886	Bracket Asm. Pvt. Lh Mwr. Rear
39	139887	Bracket Asm. Pvt. Rh Mwr. Rear
40	139977	Spacer Fender Lt
41	139978	Plate Extension Fender Lt
48	138096	Rivet Push Plate D Plastic Blk
49	17490412	Screw Hex Wsh. Thdrol. 1/4-20 x 3/4
50	142779	Brace
51	73800400	Nut Lock Hex W/Ins. 1/4-20
52	19091416	Washer 9/32 x 7/8 x 16 Ga.
53	144697	Bracket Grille LH
54	17030814	Screw Lock Spider #8 x 7/8
55	144696	Bracket, Grille RH
57	74780412	Bolt Fin Hex 1/4-20 x 3/4
58	150127	Air Duct Private Label Engine
60	72140606	Bolt RdHd Sqnk. 3/8-16 x 3/4
61	19171416	Washer 17/32 x 7/8 x 16 Ga.
68	73510400	Nut Keps Hex 1/4-20 Unc
74	73680600	Nut, Crownlock 3/8-16 UNC
140	150556	Bracket Chassis Front
--	5479J	Plug Button
--	134014	Plug Dome Dash Black

NOTE: All component dimensions given in U.S. inches
1 inch = 25.4 mm

REPAIR PARTS

TRACTOR

DRIVE



REPAIR PARTS

TRACTOR

DRIVE

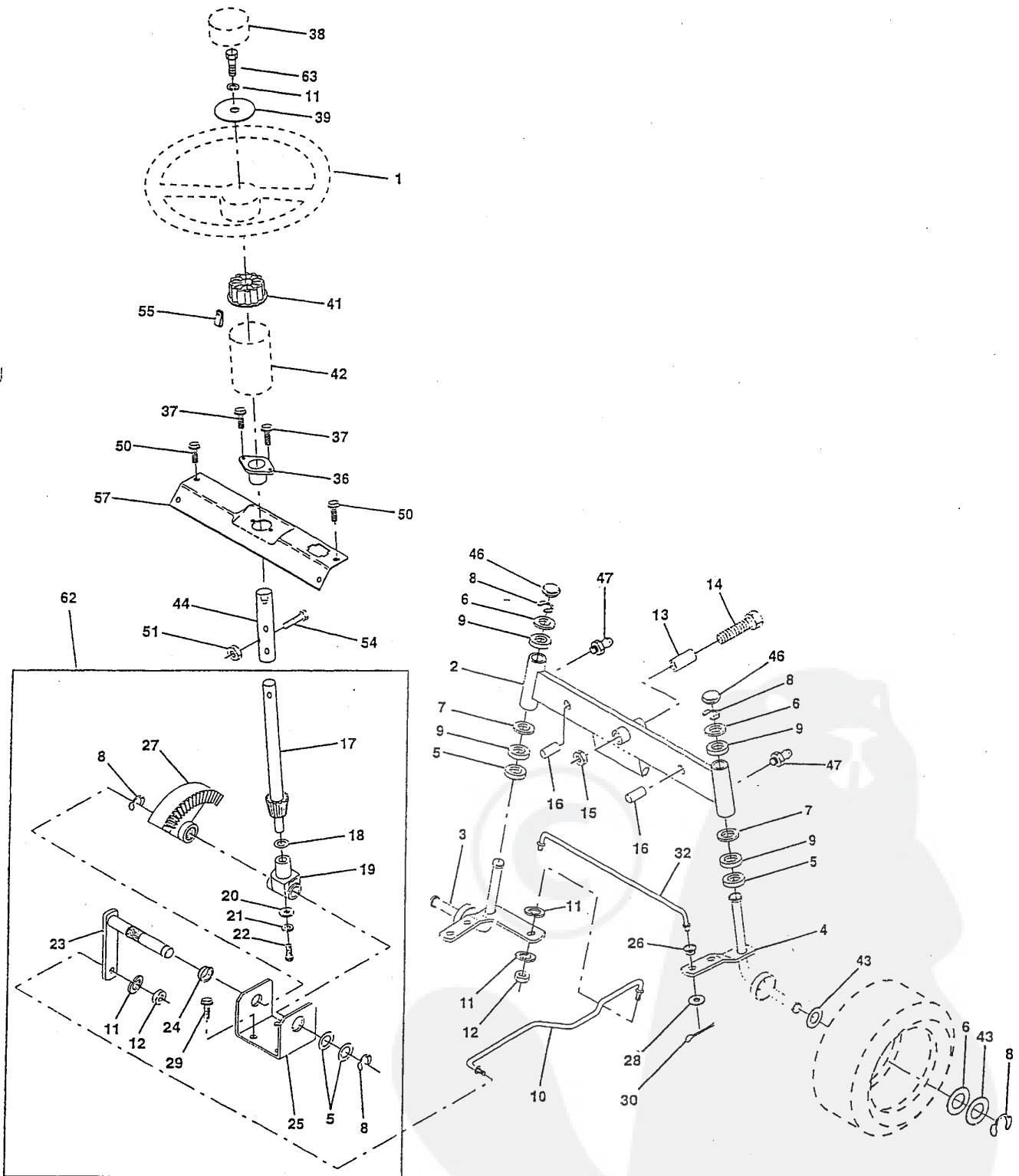
KEY NO.	PART NO.	DESCRIPTION	KEY NO.	PART NO.	DESCRIPTION
1	145605	Transaxle, 6 speed, Dana D4360-96	48	123789X	Bellcrank Asm Clutch
2	146682	Spring brake Return	49	123205X	Retainer Belt Style Spring
3	123666X	Pulley, Transaxle	50	74760624	Bolt Hex 3/8-16 unc x 1-1/2
4	12000028	Ring Retainer	51	73680600	Nut Crownlock 3/8-16 unc
5	121520X	Strap Torque 30°	52	73680500	Nut Crownlock 5/16-18
6	17490512	Screw Thdrol 5/16-18 x 3/4 TYT	53	105710X	Link Clutch
8	141003	Rod Shifter	55	105709X	Spring Return Clutch
10	76020416	Pin Cotter 1/8 x 1	56	74760620	Bolt Fin Hex 3/8-16 unc x 1-1/4
11	105701X	Washer Plate shf 388 Sq Hole	57	130801	V-Belt Ground Drive
12	19151216	Washer 15/32 x 3/4 x 16 Ga.	58	127274X	Keeper Belt(RH)
13	74550412	Bolt 1/4-28 unf Gr. 8 w/Patch	59	140312	Keeper Belt Chassis
14	10040400	Washer Lock Hvy Helical 1/4	61	17490612	Screw Thdrol 3/8-16x3/4 Ty-tt
15	74490544	Bolt Hex Flghd 5/16-18 Gr. 5	62	123533X	Cover Pedal
19	73800600	Nut Crownlock 3/8-16 Unc	63	140186	Pulley Engine
21	121274X	Knob	64	71170764	Bolt Hex 7/16-20 x 4 Gr. 5
22	130804	Rod Brake	65	10040700	Washer Lock Hvy, Helical Spr 7/16
24	73350600	Nut Hex Jam H 3/8-16 Unc	66	153400	Keeper Belt Engine Mch Fproof
25	106888X	Spring, Brake Rod	70	134683	Guide Belt Mower Drive RH
26	19131316	Washer 13/32 x 13/16 x 16 Ga.	72	19132012	Washer 13/32 X 1-1/4 X 12 Ga.
27	76020412	Pin Cotter 1/8 x 3/4	74	109502X	Spacer Split
28	145204	Rod Brake Parking	75	121749X	Washer 25/32 X 1 1/4 X 16 Ga.
29	71673	Cap Brake Parking Black	76	12000001	E-ring
30	130807	Bracket Transmission	77	123583X	Key Square
31	127275X	Keeper Belt LH LT 14 Ga.	78	121748X	Washer 25/32 X 1-5/8 X 16 Ga.
32	74760512	Bolt Hex 5/16 - 18 x 2-1/2	80	131487	Arm, shift lever
34	151128	Shaft Asm Pedal Foot	81	136933	Shaft Asm Shift 20" T 42" Deck
35	120183X	Bearing Nylon Blk 629 AD	82	123782X	Spring
36	19211616	Washer 21/32 x 1 x 16 Ga.	83	19171216	Washer 17/32 X 3/4 X 16 Ga.
37	1572H	Pin Roll 3/16 x 1"	84	132183	Tie Rod
38	123674X	Pulley Idler Flt	85	150360	Nut Lock Center Fnthd 1/4-28
39	74760644	Bolt Hex 3/8-16 unc x 2-3/4	86	71208	Bushing
40	4470J	Spacer Split	87	19212016	Washer 21/32 x 1-1/4 x 16 Ga.
41	153399	Keeper Belt Idler	88	12000008	Ring Klip #5304-62
42	19131312	Washer 13/32 x 13/16 x 12 Ga.	89	139964	Console, Gear Shift
44	105706X	Bearing Nylon	90	124346X	Nut 1/4
45	110812X	Washer Hardened	110	74760612	Bolt, Fin Hex 3/8-16 x 3/4
46	12000039	Ring Klip #t5304-50	116	72110610	Bolt Rdhd Sq Neck 3/8-16 x 1-1/4
47	127783	Pulley Idler V-groove Plastic			

NOTE: All component dimensions give in U.S. inches
1 inch = 25.4 mm.

REPAIR PARTS

TRACTOR

STEERING ASSEMBLY



REPAIR PARTS

TRACTOR

STEERING ASSEMBLY

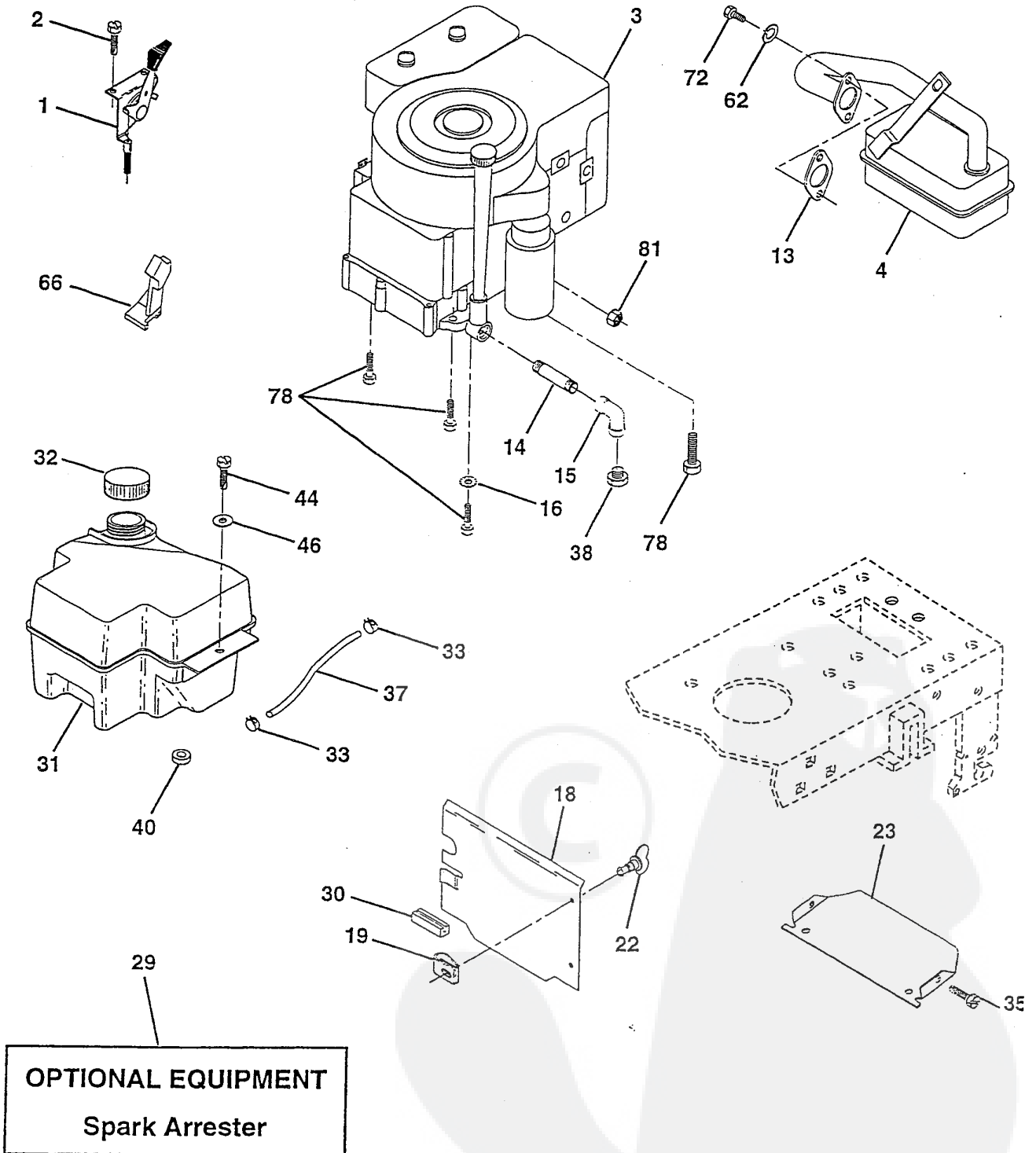
KEY NO.	PART NO.	DESCRIPTION
1	121472X	Wheel Steering Auto Blk
2	142033	Axle Asm Fr LT W/gzks 38/42
3	135227	Spindle Asm LH
4	135228	Spindle Asm RH
5	6266H	Bearing Race Thrust Harden
6	121748X	Washer 25/32 X 1-5/8 X 16 Ga
7	19272016	Washer 27/32 X 1-1/4 X 16 Ga
8	12000029	Ring Klip #t5304-75
9	3366R	Bearing Col Strg Blk
10	130468	Link Drag Sol Ball Jt 20 064
11	10040600	Washer Lock Hvy Hlcl Spr 3/8
12	73610600	Nut Fin Hex 3/8-24 Unf
13	110438X	Spacer Bearing Axle Front
14	74011056	Bolt Hex 5/8-11 Unc X 3-1/2
15	73901000	Nut Lock Flange 5/8-11 Unc
16	132624	Pin Axle 5/8 X 1 55/1 54 Lg
17	140176	Shaft Asm Strg
18	57079	Washer Thrust 515x 750x 033
19	124035X	Support Shaft
20	126684X	Washer Shim 1/4 X 5/8 X 062
21	10040400	Washer Lock Hvy Helical 1/4
22	71100410	Screw Cap Sckt Hd Phos & Oil
23	127501	Shaft Asm Pittman
24	109816X	Nyliner Snap In
25	124036X	Bracket Steering
27	136874	Gear Sector 22 Teeth
26	126847X	Bushing Link Drag Blk Lr
28	19131416	Washer 13/32 x 7/8 x 16 Ga.
29	17490612	Screw Thdrol 3/8-16x3/4 Ty-tt
30	76020412	Pin Cotter 1/8 x 3/4 Cad
32	130465	Rod Tie Wire Form 19 75 Mech
36	102803X	Bushing Steering
37	152927	Screw TT #10-32.5 X 3/8 Flange
38	126805X	Cap Wheel Steer Au Gen Blk
39	19133808	Washer 13/32 x 2-3/8 x 8 Ga
41	100711L	Adapter Wheel Strg .758/.753 ID
42	140216	Boot Shaft Steering
43	121749X	Washer 25/32 X 1 1/4 X 16 Ga
44	153721	Extension Steering Adjustable
46	121232X	Cap Spindle Fr Top Blk
47	6855M	Fitting Grease
50	17490412	Screw Hex Wsh Thdrol 1/4-20 x 3/4
51	73800500	Nut Lock Hex W/Ins. 5/16-18 Unc P
54	74780520	Bolt Fin Hex 5/16-18 Unc P
55	140285	Clip Timmerman
57	140172	Support Shaft Steering
62	149686	Kit Steering Assembly Service
63	74780616	Bolt, Fin Hex 3/8-16 UNC x 1 Gr. 5

NOTE: All component dimensions given in U.S. inches
1 inch = 25.4 mm

REPAIR PARTS

TRACTOR

ENGINE



REPAIR PARTS

TRACTOR

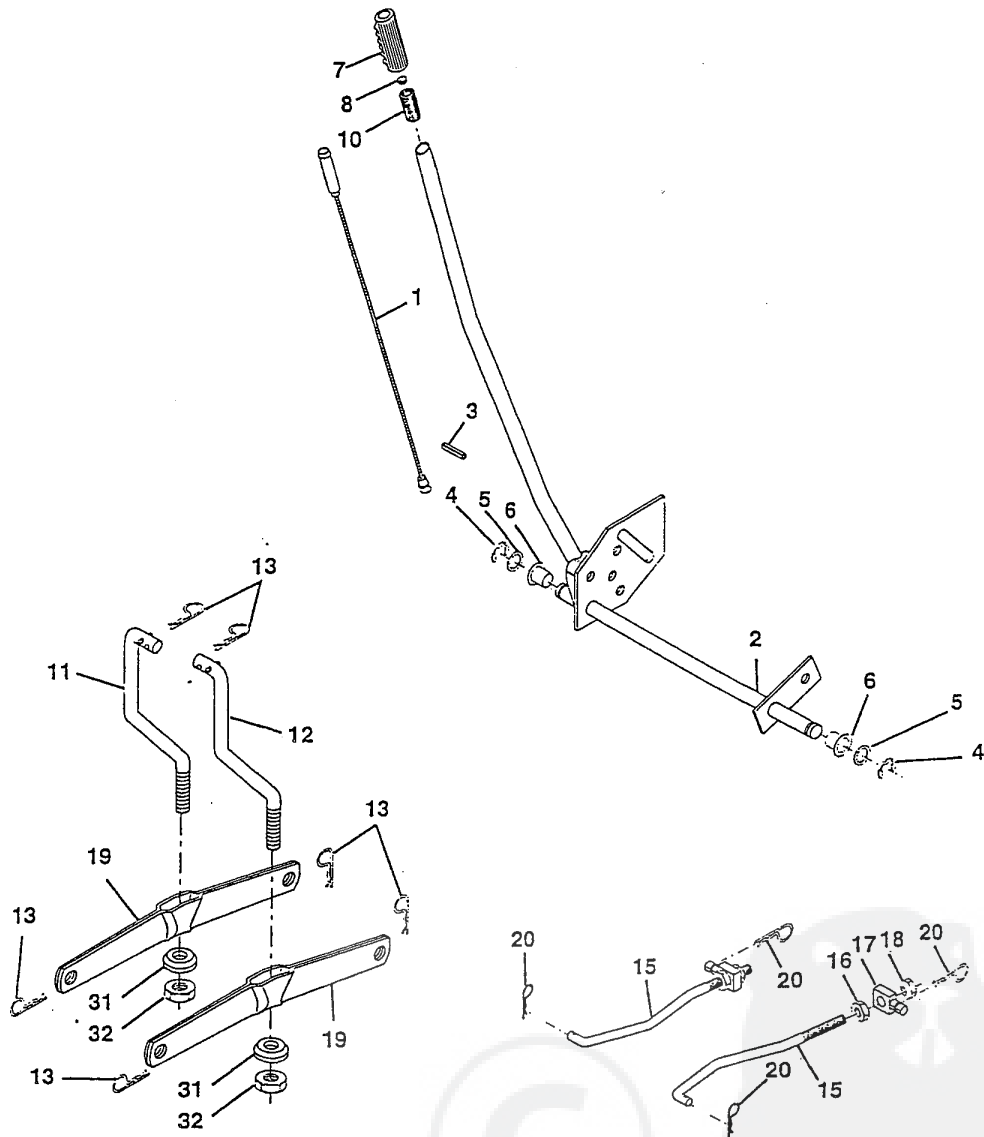
ENGINE

KEY NO.	PART NO.	DESCRIPTION
1	141359	Control Th/ch 23 5 LH Flag
2	17720410	Screw Hex Thd Cut 1/4-20x5/8 T
3	-----	Engine B&S Model No. 28N707
4	137352	Muffler LT B&S
13	272293	Gasket Eng 1 313 Id Tin Plated
14	13280324	Nipple Pipe 3/8 Npt X 3"
15	13200300	Elbow Std 90 Degree 3/8-18 Npt
16	11050600	Washer Lock Ext Tooth 3/8
18	136718	Shield Heat Lt
19	105839X	Receptacle 1/4 Turn Dacrotized
22	149793	Stud 1/4 Turned w/Bushing Plst
23	150554	Shield Browning
29	137180	Kit Spark Arrestor (Flat Scrn)
30	127057X	Pinch Weld Hood Black
31	140280	Tank Fuel Front 2.00 Gal. Nat.
32	140527	Cap Asm Fuel Top Vent N/Lany
33	123487X	Clamp Hose Blk
35	17490512	Screw Thdrol 5/16-18 x 3/4
37	137040	Line Fuel 20"
38	-----	Plug Oil Drain (Order From Engine Manufacturer)
40	124028X	Bushing Snap Nyl Blk Fuel Line
44	17490412	Screw Hexwsh Thdrol 1/4-20x3/4
46	19091416	Washer 9/32 X 7/8 X 16 Ga
62	10040500	Washer Lock Hvy Hlci Spr 5/16
66	127951	Stop Throttle
72	71070512	Screw Hex Hd Cap 5/16-18 x 3/4
78	17490620	Screw Thdrol 3/8-16x1-1/4 TYTT
81	128861	Nut Flange 1/4-20 Starter Nut

NOTE: All component dimensions given in U.S. inches.
1 inch = 25.4 mm

REPAIR PARTS TRACTOR

LIFT



KEY NO.	PART NO.	DESCRIPTION
1	136973	Wire Asm Inner W/Plunger
2	140278	Shaft Asm Lft LH
3	138284	Pin Groove
4	12000002	E-ring Truarc #5133-62
5	19211621	Washer Pltd 21/32 X 1 X 21 Ga
6	120183X	Bearing Nylon
7	125631X	Grip Handle Fluted
8	124526X	Button Plunger Black
10	122512X	Spring Cprsn
11	139865	Link Lift LH
12	139866	Link Lift RH

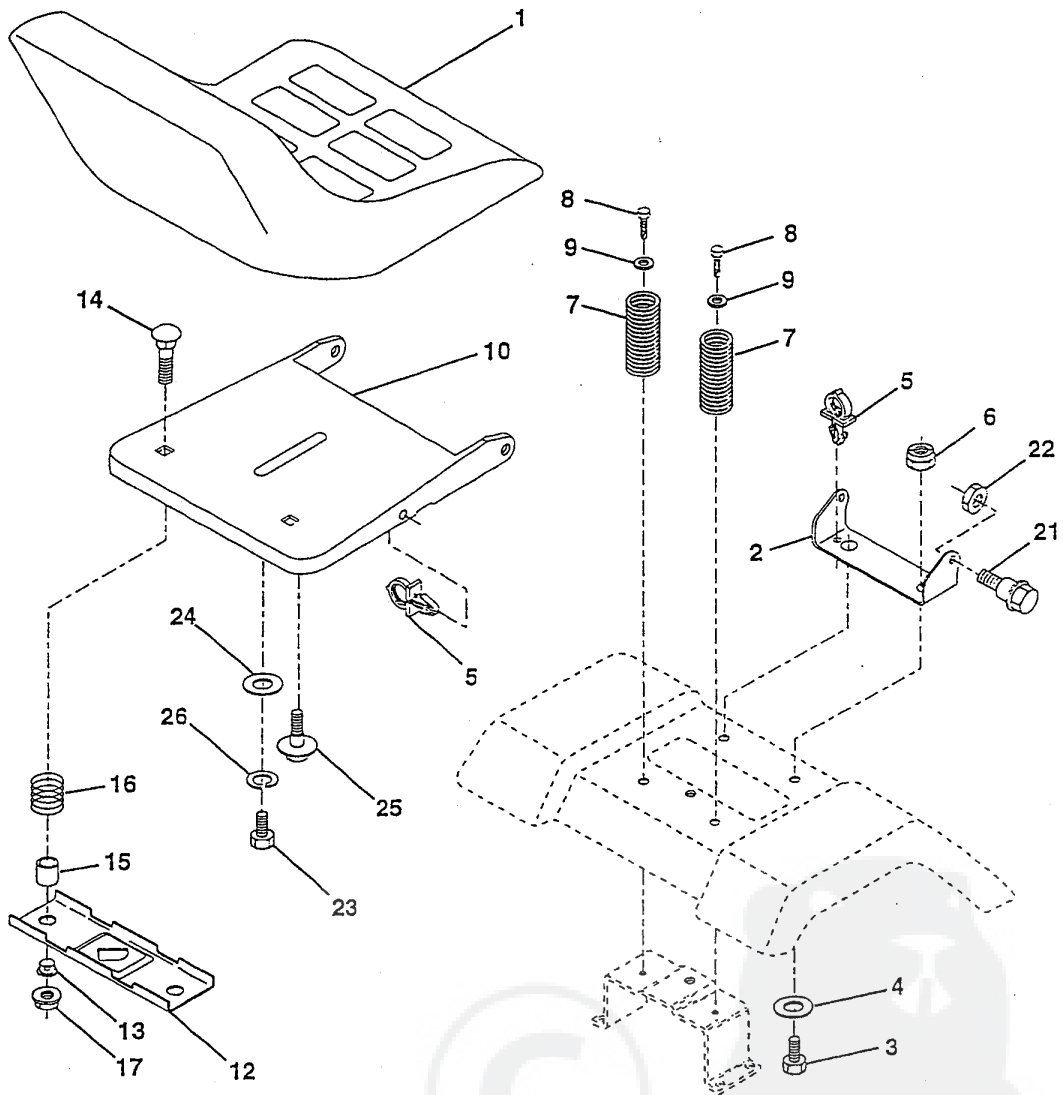
KEY NO.	PART NO.	DESCRIPTION
13	4939M	Retainer Spring
15	127218	Link Front
16	73350800	Nut Jam Hex 1/2-13 Unc
17	130171	Trunnion Blk Zinc
18	73800800	Nut Lock W/wsh 1/2-13unc
19	139868	Arm Suspension Rear
20	3146R	Retainer Spring
31	140302	Bearing Pvt. Lift Spherical
32	73540600	Nut Crownlock 3/8-24

NOTE: All component dimensions given in U.S. inches
1 inch = 25.4 mm

REPAIR PARTS

TRACTOR

SEAT



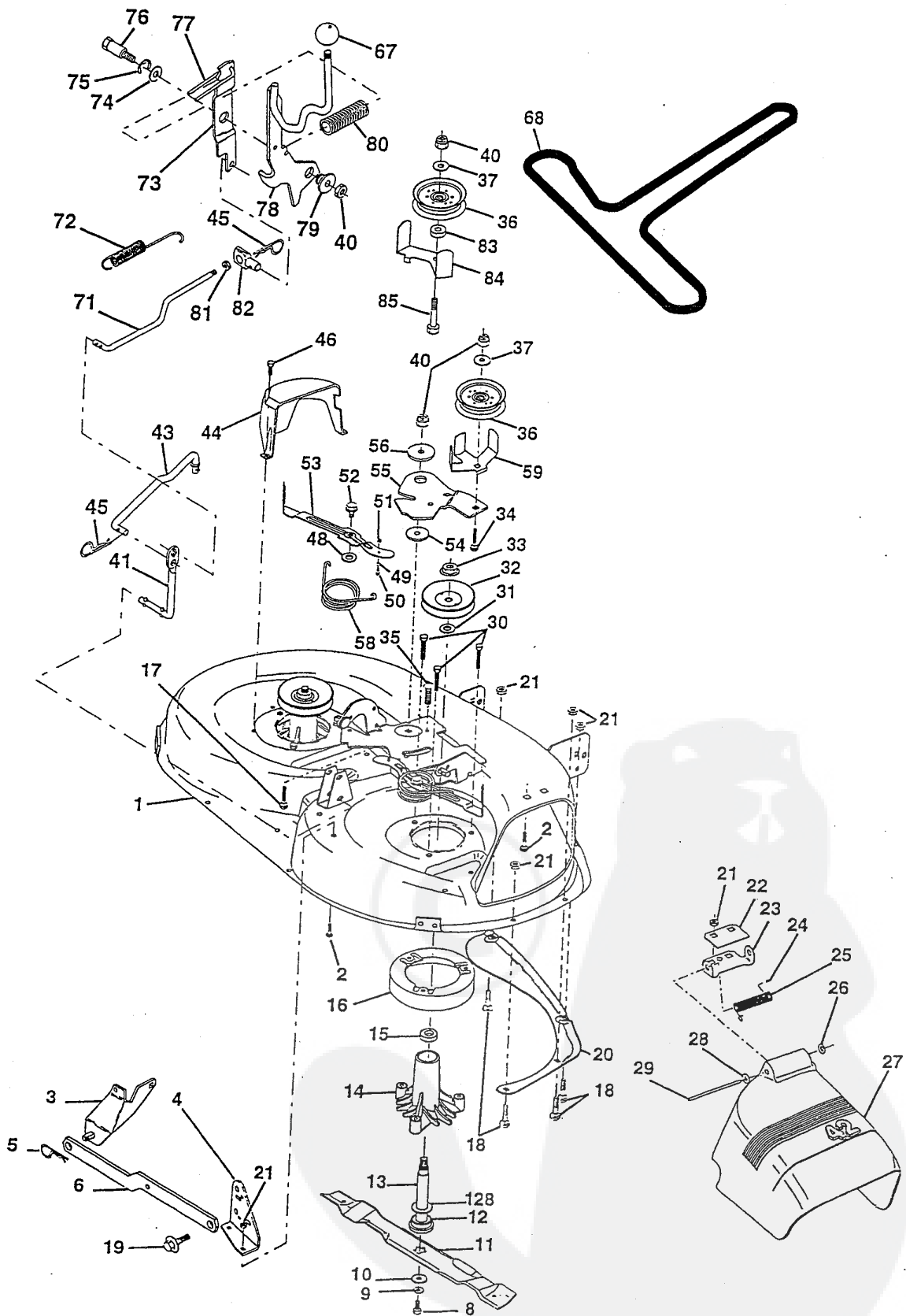
KEY NO.	PART NO.	DESCRIPTION	KEY NO.	PART NO.	DESCRIPTION
1	140117	Seat 2400/416 Blk/blk	14	72050411	Bolt Rdhd Sht Nk 1/4 - 20 X 1 - 3/8
2	140551	Bracket Pivot Seat	15	134300	Spacer Split .28 X .96
3	74760616	Bolt Hex 3/8 - 16 X 1	16	121250X	Spring Cprsn
4	19131610	Washer 13/32 X 1 X10Ga.	17	123976X	Nut Lock 1/4 Lge Fig
5	145006	Clip Push-In	21	153236	Bolt Shoulder 5/16 - 18 UNC-2A
6	73800600	Nut Lock Hex w/Ins 3/8 - 16	22	73800500	Nut Lock Hex w/Ins 5/16 - 18
7	124181X	Spring Seat Cprsn 2 250 Blk Zi	23	74780814	Bolt Fin Hex 1/2-13 X 7/8 Gr. 5
8	17490616	Screw Thdrol 3/8-16 X 1 Ty-tt	24	19171912	Washer 17/32 X 1-3/16 X 12 Ga
9	19131614	Washer 13/32 X 1 X 14 Ga	25	127018X	Bolt Shoulder 5/16-18 X 62
10	140552	Pan Pnt Seat (Blk)	26	10040800	Washer Lock Hvy Hlcl Spr 1/2
12	121246X	Bracket Pnt Mounting Switch			
13	121248X	Bushing Snap Blk Nyl			

NOTE: All component dimensions given in U.S. inches
1 inch = 25.4 mm

REPAIR PARTS

TRACTOR

MOWER DECK



REPAIR PARTS

TRACTOR

MOWER DECK

KEY NO.	PART NO.	DESCRIPTION	KEY NO.	PART NO.	DESCRIPTION
1	144393	Mower Housing	44	140088	Guard Mandrel LH Black
2	72140506	Bolt Rdhd Sqnk 5/16-18unc X3/4	45	4497H	Spring Retainer 1" Zinc/cad
3	138017	Bracket Asm Fr Sway Bar 38/42	46	137729	Screw Hex Thd Cut
4	138440	Bracket Asm Deck 42" sway Bar	48	133944	Washer Hardened Smaller
5	4939M	Retainer Spring	49	133940	Roller Asm Cam Follower 42" dec
6	130832	Arm Suspension Rear	50	131340	Bolt Shldr 10-24 Zinc Gr 5 42"
8	850857	Bolt 3/8-24 X 1 1/4	51	69180	Nut Lock #10-24 Unc
9	10030600	Washer Lock Hvy 3/8	52	139888	Bolt Shoulder 5/16-18 Unc Blkz
10	140296	Washer Hard Blade Mower Vented	53	131845	Arm Asm Pad Brake
11	138498	Blade High Lift	54	133943	Washer Hardened
12	129895	Bearing Ball	55	140084	Arm Idler 42" mower LT/YT
13	137645	Shaft Asm W/lower Bearing	56	122052X	Spacer Retainer Pm Mower
14	128774	Housing Mandrel Vented	58	140086	Spring Torsion Brakes 42"
15	110485X	Bearing Ball Mandrel	59	141043	Guard TUV Idler
16	140329	Stripper Mower Vented	67	121274X	Knob Duckhead
17	72110610	Bolt Rdhd Sqnk 3/8-16 X 1-1/2	68	144200	V-Belt Mower
18	72140505	Bolt Rdhd Sqnk 5/16-18 X 5/8	71	142427	Rod Clutch Primary 38/42
19	132827	Bolt Shoulder 5/16-18 Thd Form	72	131870	Spring Return
20	136888	Baffle Vortex 42	73	127847	Arm Clutch Secondary
21	73680500	Nut Crownlock 5/16-18	74	121748X	Washer 25/32 X 1-5/8 X 16 Ga
22	134753	Stiffener Bracket 42" deck	75	12000029	Ring Klip #t5304-75
23	131267	Bracket Deflector Mower 42"	76	128903	Bolt Shoulder 3/8-16 Unc 1 44
24	105304X	Cap Sleeve 80x 112 Blk Mower	77	127845	Keeper Spring 4 000
25	123713X	Spring Torsion Deflector 2 52	78	140179	Lever Asm Clutch Primary P/L
26	110452X	Nut Push Phos & Oil	79	127498	Bushing 747 Od X 794 Lg Brass
27	130968	Shield Deflector Mower	80	128759	Spring Clutch Mower 2 750 Zinc
28	19111016	Washer 11/32 X 5/8 X 16 Ga	81	73350600	Nut Hex Jam 3/8-16 Unc
29	131491	Rod Hinge 42" 6 75 Wlg	82	142028	Trunnion Adj
30	138776	Screw Thdrol Hex Head Zinc Mwr	83	120958X	Washer Sintered
31	129963	Washer Spacer Mower Vented	84	144394	Keeper Bolt Idler Fixed
32	153535	Pulley Mandrel 42/44/50	85	72140618	Bolt RdHd Sqnk 3/8-16 x 2-1/4
33	137266	Nut 9/16 Top Lock Fing	128	153390	Washer Felt
34	72110614	Bolt Rdhd 3/8-16uncx1-3/4 Gr5	--	130794	Mandrel Asm Service (Includes Key Nos. 8-10, 12-15, 31 and 33)
35	133835	Fastner Christmas Tree	--	144783	Deck Serv (Std. Deck - Order seperately gauge wheel components key nos. 111-120.)
36	131494	Pulley Idler Flat 3 060			
37	19131316	Washer 13/32 x 13/16 x 16 Ga			
40	73680600	Nut Crownlock 3/8-16 Unc			
41	133551	Rod Pivot W/nibs			
43	140083	Rod Clutch Secondary W/nibs			

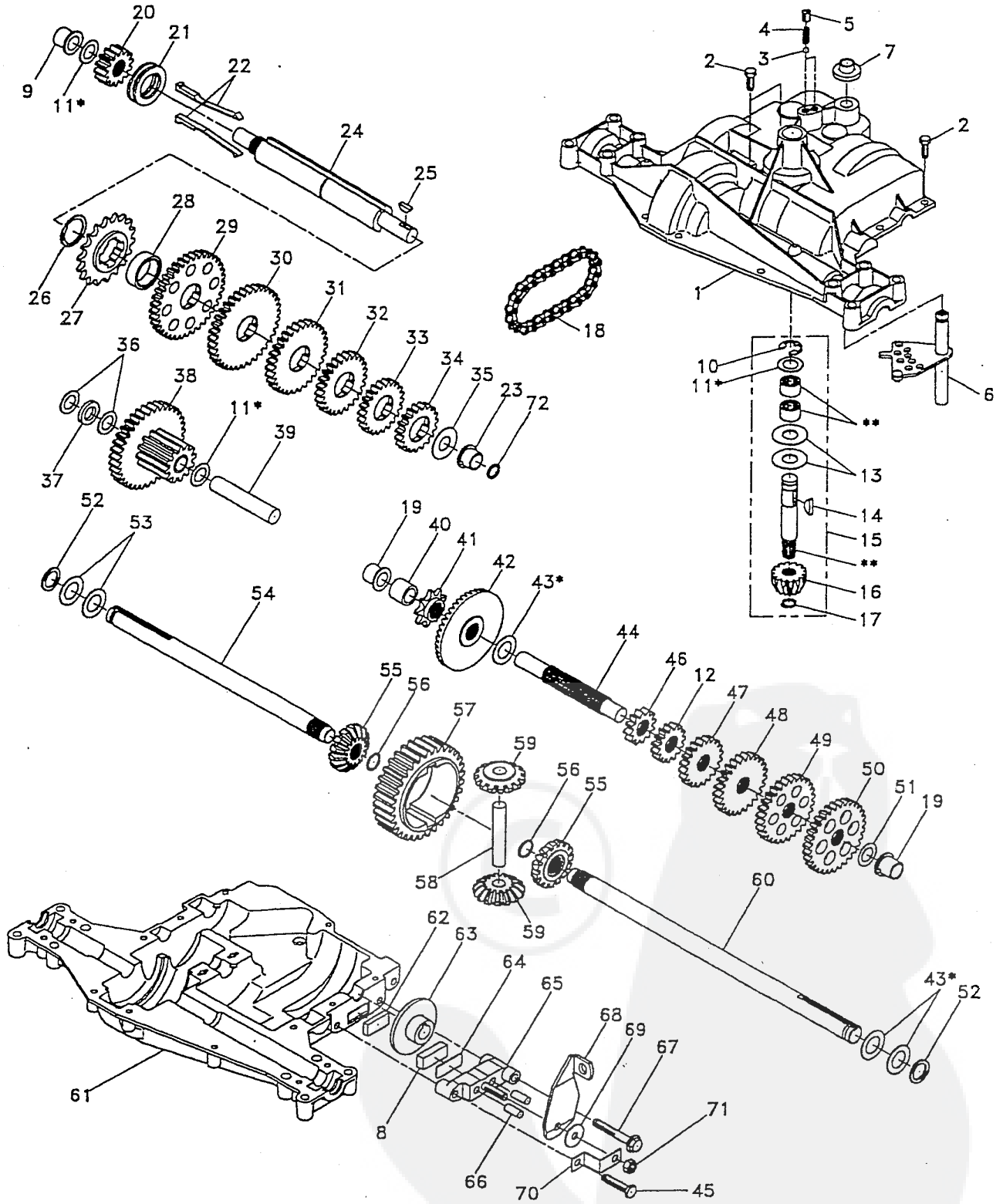
NOTE: All component dimensions given in U.S. inches
1 inch = 25.4 mm

REPAIR PARTS

TRACTOR

DANA TRANSAXLE - MODEL NUMBER 4360-96

TRANSAXLE



REPAIR PARTS

TRACTOR

DANA TRANSAXLE - MODEL NUMBER 4360-96

TRANSAXLE

KEY PART NO.	NO.	DESCRIPTION	KEY PART NO.	NO.	DESCRIPTION
1	132671	Housing, Upper	39	124639X	Shaft, Idler
2	2274J	Screw, Tapping, Large 1/4-20 x .734	40	120472X	Spacer .633 x .87 x .755
3	134400	Ball, Detent	41	105928X	Sprocket, 9 Teeth (Reverse)
4	105904X	Spring, Detent	42	106605X	Gear, Bevel, 42 Teeth
5	105905X	Screw, Set	43	134394	Assembly, Kit, Shim, .750 Shaft
6	138235	Kit, Shifter Assembly	44	120473X	Shaft, Drive
7	134399	Boot, Shifter	45	106596X	Screw, Tapping, Large 5/16-18 x 1.44
8	120951X	Puck, Friction	46	142678	Gear, Spur, 12 Teeth (1 ^a)
9	148266	Bearing, Flange	47	120407X	Gear, Spur, 20 Teeth (3 ^a)
10	2225J	Ring, Retaining	48	106589X	Gear, Spur, 25 Teeth (4 ^a)
11	134793	Assembly, Kit, Shim, .625 Shaft	49	120408X	Gear, Spur, 28 Teeth (5 ^a)
12	143679	Gear, Spur, 15 Teeth (2 ^a)	50	105937X	Gear, Spur, 31 Teeth (6 ^a)
13	120415X	Washer, Plain .632 x 1.38 x .046	51	2226J	Washer, Plain .632 x 1.00 x .060
14	142674	Key, Woodruff, #9	52	134401	Washer, Neoprene
15	106846X	Assembly, Kit, Input Shaft	53	2264J	Washer, Plain .758 x 1.25 x .031
16	106095X	Pinion, Bevel, 14 Teeth	54	120474X	Axle, L.H.
17	105909X	Ring, Retaining	55	110081X	Gear, Miter, 15 Teeth
18	105910X	Chain, 24 Pitches	56	105941X	Ring, Retaining
19	105911X	Bearing, Flange	57	110071X	Gear, Spur, 32 Teeth
20	142675	Gear, Spur, 14 Teeth	58	120952X	Shaft, Cross
21	148267	Collar, Clutch	59	110082X	Gear, Miter, 15 Teeth
22	138237	Assembly, Kit, Clutch Keys	60	120475X	Axle, R.H.
23	148268	Bearing, Flange	61	142680	Housing, Lower
24	142676	Shaft, Intermediate	62	120961X	Puck, Friction
25	2244J	Key, Woodruff, #61	63	7294J	Disc, Brake
26	105916X	Ring, Retaining	64	108989X	Spacer
27	120470X	Sprocket, 18 Teeth (Reverse)	65	120953X	Jaw, Brake
28	110070X	Spacer	66	120954X	Pin, Dowel
29	142677	Gear, Spur, 37 Teeth (1 ^a)	67	134799	Screw, Tapping 5/16-18 x 2.25
30	142681	Gear, Spur, 35 Teeth (2 ^a)	68	138244	Lever, Actuating
31	124644X	Gear, Spur, 30 Teeth (3 ^a)	69	108996X	Washer, Plain .321 x 1.00 x .055
32	108980X	Gear, Spur, 25 Teeth (4 ^a)	70	120956X	Bracket, Anti-Rotation
33	120406X	Gear, Spur, 22 Teeth (5 ^a)	71	73810500	Locknut 5/16-24
34	134796	Gear, Spur, 19 Teeth (6 ^a)	72	148269	Seal, Oil
35	105925X	Washer, Plain .640 x 1.37 x .061	73	120416X	Grease
36	2232J	Washer, Plain .632 x 1.00 x .026			
37	108978X	Spacer .630 x 1.00 x .169			
38	110079X	Assembly, Gear, Combination, 12 Teeth and 35 Teeth			

NOTE: All component dimensions given in U.S. inches
1 inch = 25.4 mm

TRACTOR

SCHEMATIC

