

3,90 m

OWNER'S MANUAL

14 DEC. 1988

12 H.P. LAWN TRACTOR MODEL NUMBER LT120CF



LAWN AND GARDEN
OUTDOOR POWER EQUIPMENT

ROPER

OUTDOOR POWER EQUIPMENT

DIVISION OF ROPER CORPORATION
P.O. BOX 1687
ORANGEBURG, SOUTH CAROLINA 29116
U.S.A.

TO REPLACE MOWER BELT

1. Slide Belt under Extension Spring (Fig. 42).
2. Place Belt of rear side of both Mandrels.
3. Spring Idler Belt Guide up and place Belt around rear side of Idler Pulley. Make certain Belt Guide is located per Figure 43.
4. Roll Belt over Engine Pulley. Make sure Belt is inside Belt Guides (Fig. 30).

TO REMOVE MOWER

1. Remove mower Belt per instructions under "To Remove Mower Belt", through step 3.
2. Remove Retainer Spring from Clutch Rod; pull Clutch Rod out of Clutch Bracket.
3. Pull Retainer Springs out of Rear Suspension Trunnions. Remove Rear Suspension Trunnions from Lift Brackets (Fig. 44).
4. Pull Retainer Spring out of Rear Hinge Pin. Remove Rear Hinge Pin.
5. Pull Retainer Spring out of Front Hinge Pin. Remove Front Hinge Pin.
6. Use Lift Lever to raise Suspension Arms. Slide mower out from under tractor.

NOTE: IF AN ATTACHMENT OTHER THAN THE MOWER DECK IS TO BE MOUNTED ON THE TRACTOR, THE L.H. AND R.H. SUSPENSION ARMS (FIG. 44) SHOULD BE REMOVED FROM TRACTOR.

STORAGE

When mower is to be stored for a period of time, clean it thoroughly, remove all dirt, grease, leaves, etc. Give blades and underside of housing a good coat of grease or rust preventive. Store in a clean dry area.

Keep tractor finish and seat free of gasoline, oil, insect chemicals, or battery acid. Protect painted surfaces with automotive type wax.

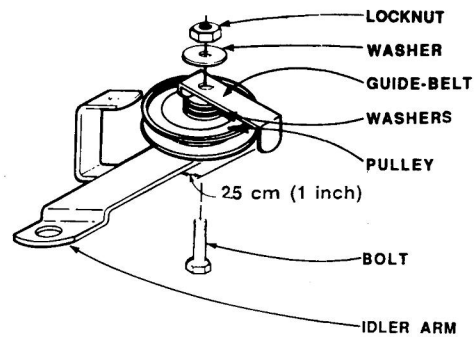


FIGURE 43

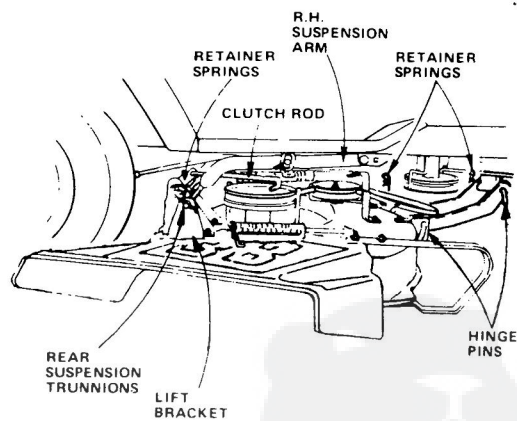
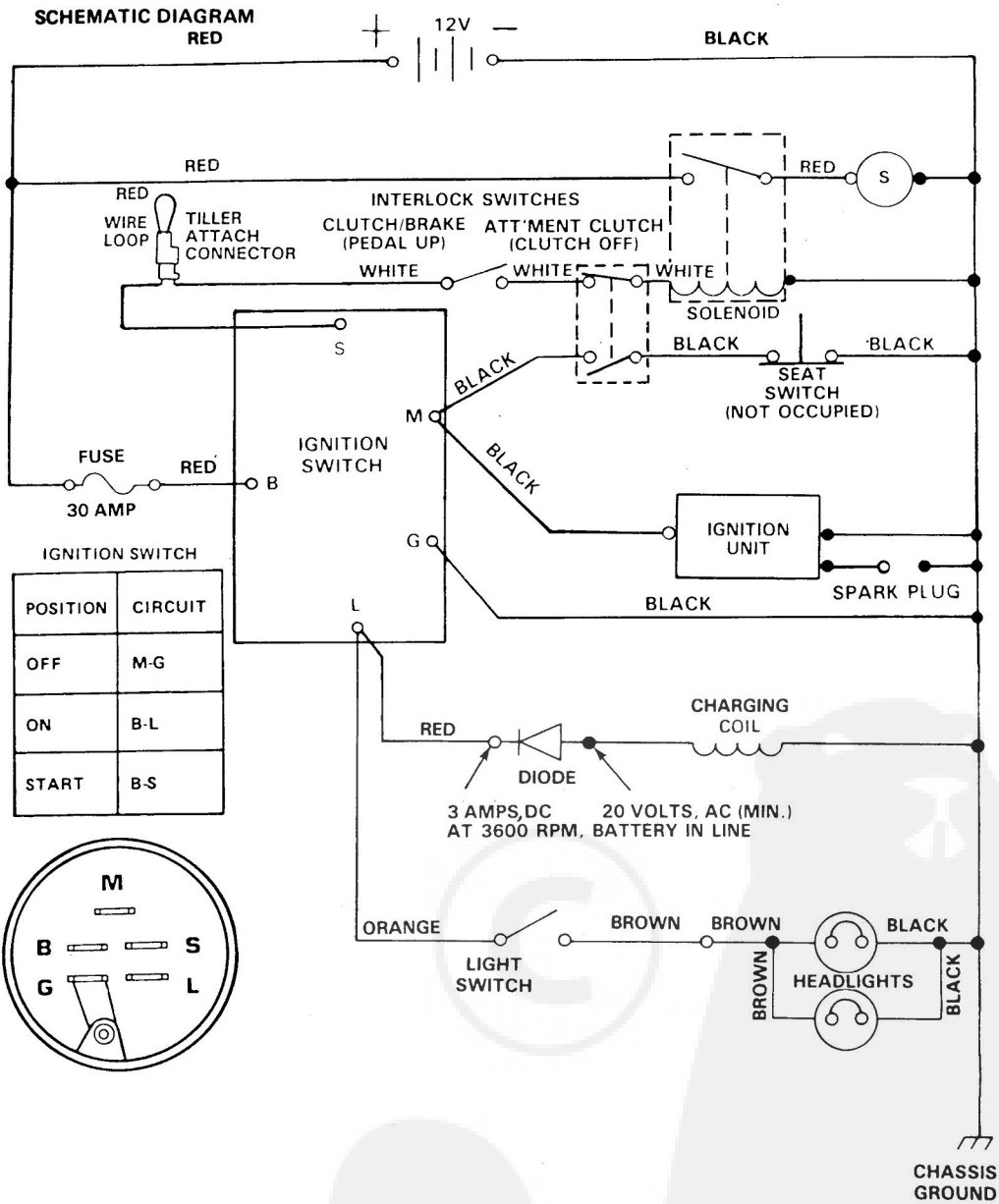


FIGURE 44

Roper Corporation reserves the right to make any changes in design or improvements without imposing any obligation to install the same upon its items heretofore manufactured.

ROPER LAWN TRACTOR—MODEL NUMBER LT120CF

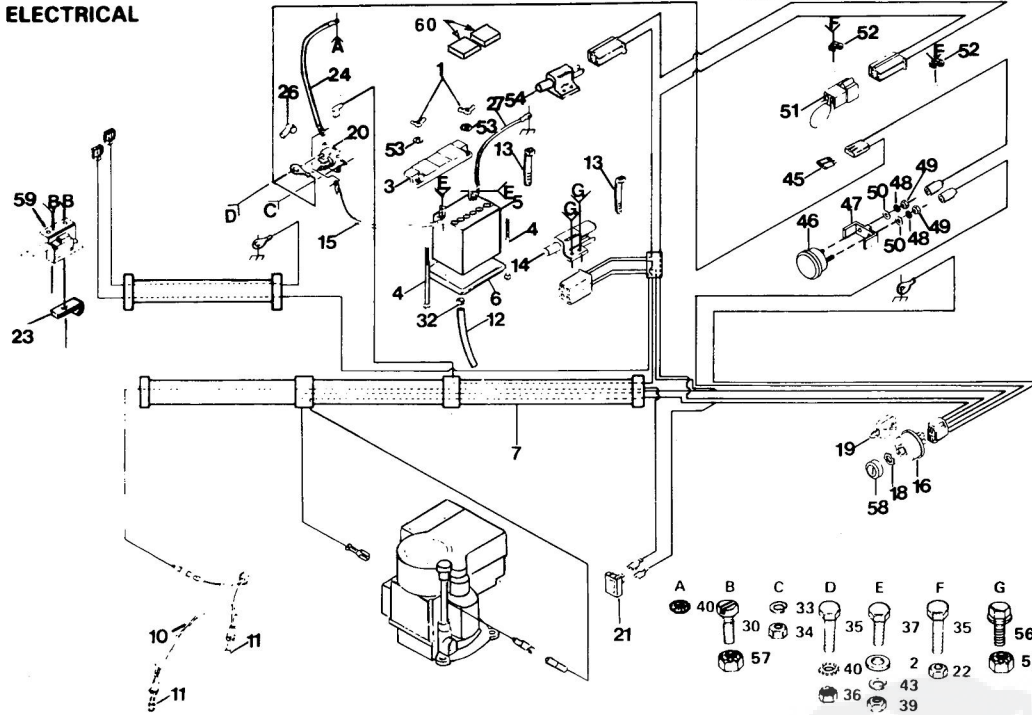


REPAIR PARTS

ROPER LAWN TRACTOR—MODEL NUMBER LT120CF

NOTE: All component dimensions given in U.S. inches - 1 inch = 25.4 mm

ELECTRICAL



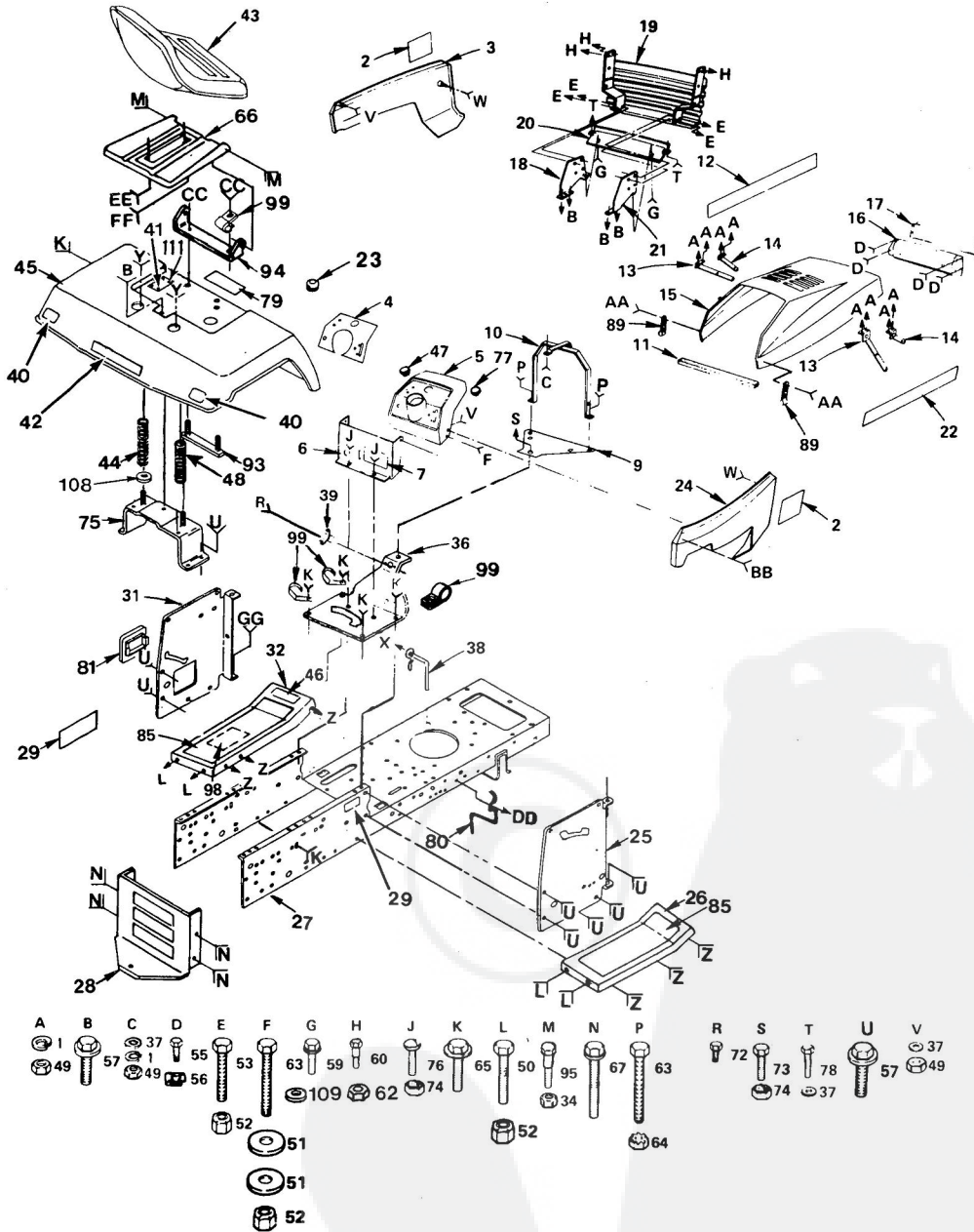
| KEY NO. | PART NO. | DESCRIPTION |
|---------|----------|---|
| 1 | 73490400 | Wing Nut 1/4 - 20 |
| 2 | 19091016 | Washer 9/32 x 5/8 x 16 Ga. |
| 3 | 102476X | Guard - Terminal |
| 4 | 72240460 | Battery Bolt (Bolt - Carriage, Rd. Hd. Sq. Neck 1/4 - 20 x 7 - 1/2) |
| 5 | 121265X | Battery |
| 6 | 7603J | Battery Tray |
| 7 | 120130X | Harness - Ignition |
| 10 | 110859X | Harness - Light Socket |
| 11 | 7662J | Bulb - Light |
| 12 | 7604J | Tube - Battery Tray |
| 13 | 7192J | Cable Tie |
| 14 | 109553X | Switch - Interlock |
| 15 | 4206J | Cable - Battery (Battery to Solenoid) |
| 16 | 4406R | Ignition Switch |
| 18 | 109788X | Nut - Ignition |
| 19 | 109434X | Key, Molded |
| 20 | 109081X | Solenoid |
| 21 | 110712X | Switch - Light |
| 22 | 73680400 | Nut - Hex 1/4 - 20 |
| 23 | 4171R | Clip Wire |
| 24 | 4799J | Cable - Battery (Solenoid to Starter) |
| 26 | 719J | Terminal Cover (For Solenoid) |
| 27 | 4207J | Cable - Battery (Battery to Ground) |
| 30 | 74641008 | Screw 10 - 32 x 1/2 Pan Hd UNF 10 X 32 X 1/2 |
| 32 | 109596X | Clamp - Hose |
| 33 | 10090400 | Lockwasher 1/4 |
| 34 | 73350400 | Nut - Hex Jam 1/4 - 20 |

| KEY NO. | PART NO. | DESCRIPTION |
|---------|----------|---|
| 35 | 74780408 | Bolt - Hex 1/4 - 20 x 1/2 Gr.5 |
| 36 | 73510400 | Nut - Keps, Hex 1/4 - 20 |
| 37 | 74760412 | Bolt - Hex 1/4 - 20 x 3/4 |
| 39 | 73220400 | Nut - Hex 1/4 - 20 |
| 40 | 11050400 | Washer - Lock 1/4 INT TOOTH |
| 43 | 10040400 | Lockwasher 1/4 |
| 45 | 108824X | Fuse - 30 Amp. |
| 46 | 9433R | Ammeter |
| 47 | 6009J | Bracket - Ammeter |
| 48 | 10101000 | Lockwasher No.10 |
| 49 | 73911000 | Nut No.10 |
| 50 | 19070818 | Washer 7/32 x 1/2 x 18 Ga. |
| 51 | 102501X | Loop - Wire |
| 52 | 235R | Clip - Insulated |
| 53 | 11030400 | Lockwasher - Int./Ext. 1/4 |
| 54 | 104445X | Switch - Interlock |
| 56 | 71021008 | Hex Washer Head Screw 10 - 32 x 1/2 UNF |
| 57 | 73951000 | Nut-Keps #10-32 UNF |
| 58 | 109787X | Bezel - Ignition |
| 59 | 121064X | Switch - Seat |
| 60 | 121264X | Caps, Battery |
| --- | 101539X | Sheet, 15° Slope Instructions, English |
| --- | 101572X | Sheet, 15° Slope Instructions, French |
| --- | 122361X | Manual, Owners - English |
| --- | 122362X | Manual, Owners, - French |

**REPAIR PARTS
ENCLOSURES**

ROPER LAWN TRACTOR—MODEL NUMBER LT120CF

NOTE: All component dimensions given
in U.S. inches - 1 inch = 25.4 mm



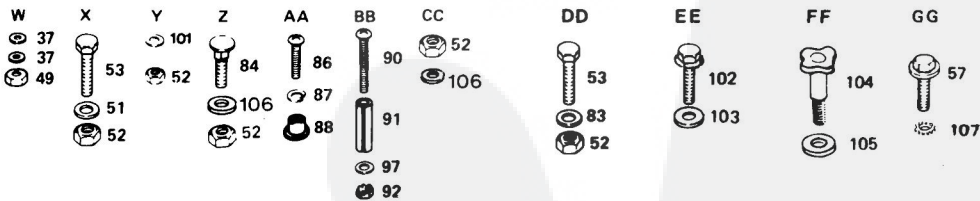
REPAIR PARTS

ENCLOSURES

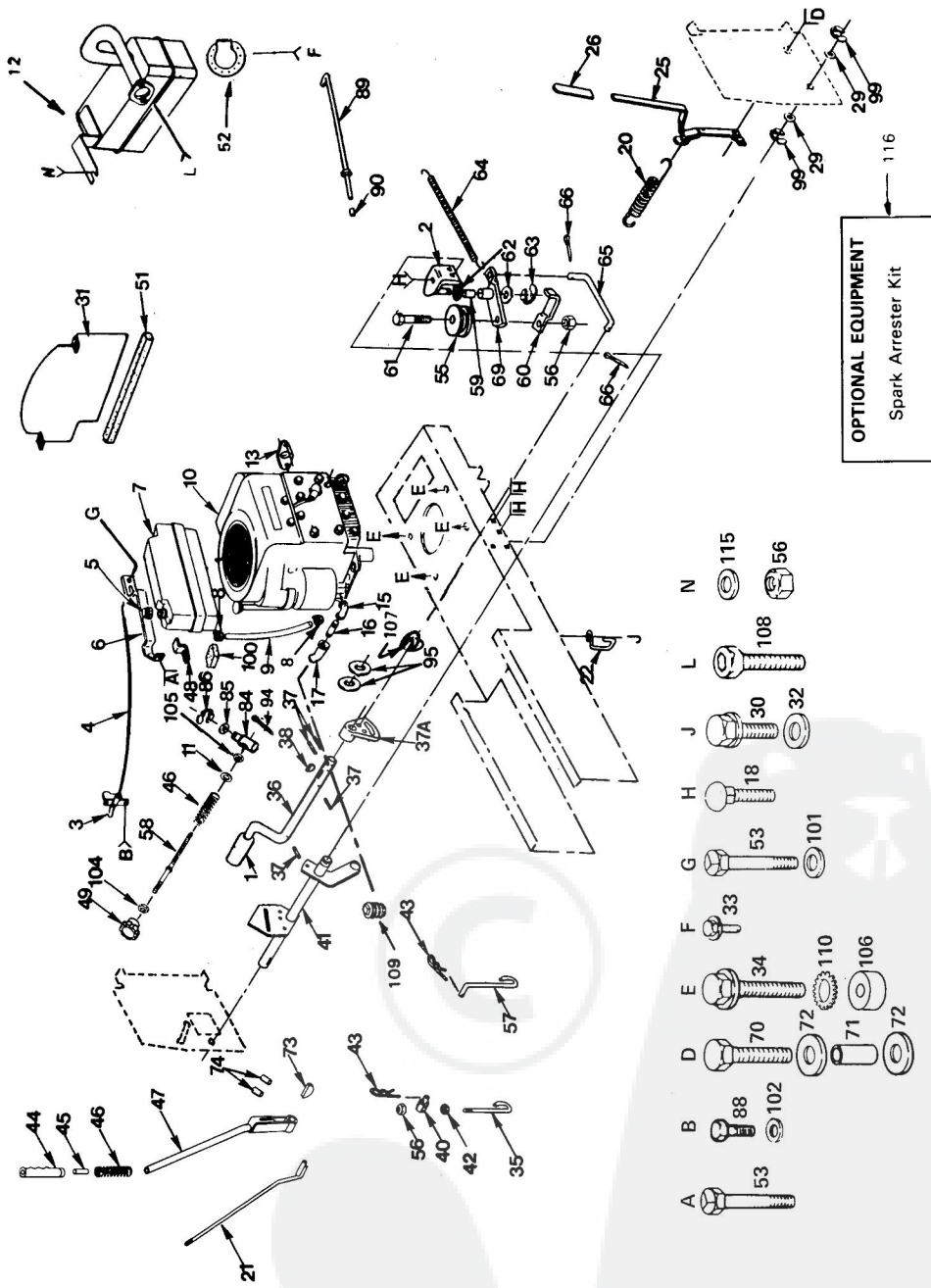
ROPER LAWN TRACTOR—MODEL NUMBER LT120CF

NOTE: All component dimensions given in U.S. inches - 1 inch = 25.4 mm

| KEY NO. | PART NO. | DESCRIPTION | KEY NO. | PART NO. | DESCRIPTION |
|---------|------------|--|---------|----------|---|
| 1 | 10040400 | Washer, Lock 1/4 | 56 | 104755X | "J" Fastener |
| 2 | 109615X | Decal - Side Panel | 57 | 17490612 | Screw - Hex Washer Hd. Thd. Rolling 3/8 - 16 x 3/4 Type TT |
| 3 | 108442X388 | Panel - Side, L.H. | 59 | 17490512 | Screw - Hex Washer Hd. Thd. Rolling 5/16 - 18 x 3/4 Type TT |
| 4 | 120381X | Decal, Dash | 60 | 7605J | Bolt - Shoulder 1/4 - 20 |
| 5 | 108679X | Dashboard | 62 | 73680400 | Nut - Crownlock 1/4 - 20 |
| 6 | 104783X | Dash Assembly - Lower | 63 | 74760620 | Bolt - Hex 3/8 - 16 x 1 - 1/4 |
| 7 | 109821X | Decal, Instruction | 64 | 73510600 | Nut - Keps 3/8 - 16 |
| 9 | 106965X | Plate - Support, Battery | 65 | 17490608 | Screw - Hex Washer Hd. Thd. Forming 3/8 - 16 x 1/2 Type TT |
| 10 | 104786X | Support Assembly - Dash | 66 | 121069X | Pan - Seat |
| 11 | 105037X | Foam - Strp | 67 | 17490612 | Screw - Hex Washer Hd. Thd. Rolling 3/8 - 16 x 3/4 Type TT |
| 12 | 104643X | Decal - Hood, L.H. | 72 | 17431008 | Screw - Hex Head Self Tapping No. 10 - 16 x 1/2 Type B |
| 13 | 106784X | Strap Assembly - Hinge, Rear | 73 | 74780512 | Bolt - Hex 5/16 - 18 x 3/4 Gr.5 |
| 14 | 104618X | Strap Assembly - Hinge, Front | 74 | 73510500 | Nut - Keps 5/16 - 18 |
| 15 | 108370X388 | Hood | 75 | 105509X | Bracket Assembly - Fender |
| 16 | 104613X | Bezel Assembly | 76 | 74180512 | Screw - Mach. Cross Thd. 5/16 - 18 x 3 |
| 17 | 106395X | Lens | 77 | 5479J | Plug - Dash |
| 18 | 104632X | Support - Grill, L.H. | 78 | 17490412 | Screw - Hex Washer Hd. 1/4 - 20 x 3/4 |
| 19 | 104801X | Grill Assembly | 79 | 109823X | Decal - Caution |
| 20 | 105419X388 | Strap Grill | 80 | 106300X | Guide - Belt, Lower, Engine, Pulley, R.H. |
| 21 | 104633X | Support - Grill, R.H. | 81 | 105505X | Cover - Access |
| 22 | 104644X | Decal - Hood, R.H. | 83 | 19132012 | Washer 13/32 x 1 - 1/4 x 12 Ga. |
| 23 | 109641X | Grommet | 84 | 72140606 | Bolt - Carriage 3/8 - 16 x 3/4 |
| 24 | 109613X388 | Panel - Side, R.H. | 85 | 109864X | Pad - Footrest |
| 25 | 106976X | Panel - Dash, R.H. | 86 | 74191008 | Screw - Cross Recess Pan Hd. Machine 10 - 24 x 1/2 |
| 26 | 105464X388 | Footrest - R.H. | 87 | 10071000 | Washer - Lock No. 10 |
| 27 | 109512X | Chassis | 88 | 2029J | Nut - Weld |
| 28 | 102481X | Drawbar | 89 | 109808X | Latch - Hood |
| 29 | 104808X | Decal - Frame | 90 | 74981020 | Screw - Machine Cross Recess 10 - 24 x 1 - 1/4 |
| 31 | 109665X | Panel - Dash, L.H. | 91 | 7206J | Spacer - Split 10 x 3/4 |
| 32 | 105465X388 | Footrest - L.H. | 92 | 73731000 | Nut - Keps 10 - 24 |
| 34 | 73680500 | Locknut - Gripco 5/16 - 18 | 93 | 105511X | Strap Assembly - Fender |
| 36 | 108263X013 | Saddle | 94 | 105513X | Bracket - Pivot, Seat |
| 37 | 19091216 | Washer 9/32 x 3/4 x 16 Ga. | 95 | 105529X | Bolt - Shoulder 5/16 - 18 |
| 38 | 106301X | Guide - Belt, Lower, Engine, Pulley, L.H. | 97 | 19070818 | Washer 7/32 x 1/2 x 18 Ga. |
| 39 | 1554J | Bushing - Steering | 98 | 109199X | Decal - V-Belt Drive |
| 40 | 106202X | Reflector - Taillight | 99 | 2751R | Schematic, Tractor |
| 41 | -- | Plate, Homologation NOT SERVICED | 101 | 19131614 | Clip - Fuel Line |
| 42 | 104810X | Decal - Fender, Roper | 102 | 121094X | Washer 13/32 x 1 x 14 Ga. |
| 43 | 110839X | Seat | 103 | 19151616 | Shoulder Bolt 5/16 - 18 UNC |
| 44 | 121068X | L.H. Seat Spring | 104 | 120068X | Washer 15/32 x 1 x 16 Ga. |
| 45 | 109640X388 | Fender | 105 | 120068X | Knob 1/2 |
| 46 | 101892X | Decal - Clutch/Brake | 107 | 19171912 | Washer 17/32 x 1 - 3/16 x 12 Ga. |
| 47 | 8022J | Plug - Dash | 108 | 11050600 | Washer - Lock Ext. Tooth 3/8 |
| 48 | 121067X | R.H. Seat Spring | 109 | 120609X | Washer - Shim |
| 49 | 73220400 | Nut - Hex 1.4 - 20 | | | Washer 13/32 x 3/4 x 10 Ga. |
| 50 | 74760612 | Bolt - Hex 3/8 - 16 x 3.4 | | | |
| 51 | 19131312 | Washer 13/32 x 13.16 x 12 Ga. | | | |
| 52 | 73680600 | Nut - Crownlock 3/8 - 16 | | | |
| 53 | 74760616 | Bolt - Hex 3/8 - 16 x 1 | | | |
| 55 | 17211010 | Screw - Hex Washer Hd. Tapping 10 - 16 x 5/8 | | | |



REPAIR PARTS
ROPER LAWN TRACTOR—MODEL NUMBER LT120CF
POWER & MECHANICAL CONTROLS GROUP



REPAIR PARTS

ROPER LAWN TRACTOR—MODEL NUMBER LT120CF

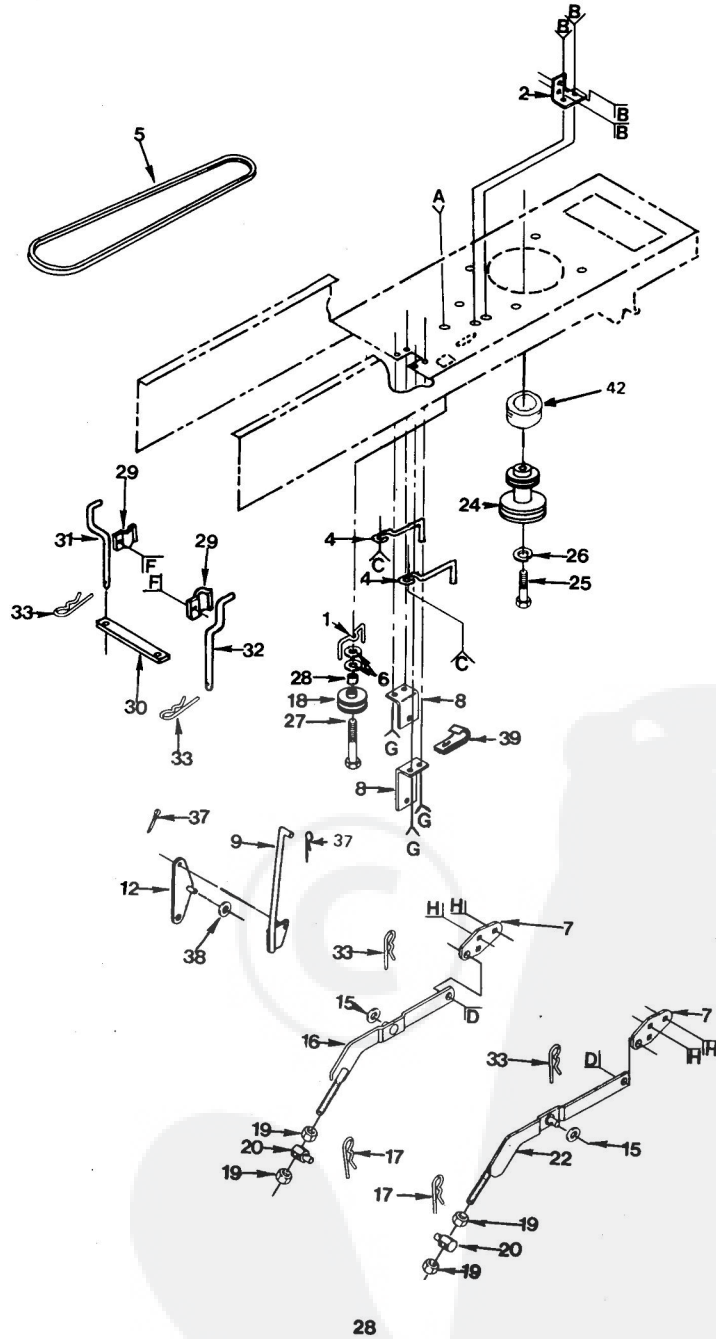
POWER & MECHANICAL CONTROLS GROUP

| KEY NO. | PART NO. | DESCRIPTION | KEY NO. | PART NO. | DESCRIPTION |
|---------|----------|---|---------|----------|---|
| 1 | 8883R | Pedal Cover | 53 | 74780512 | Bolt - Hex 5/16 - 18 x 3/4 Gr.5 |
| 2 | 105724X | Bracket Assembly - Clutch | 54 | 73680500 | Locknut 5/16 - 18 Gr.8 |
| 3 | 61159 | Knob - Throttle Control | 55 | 106298X | Pulley - Idler |
| 4 | 120643X | Control - Throttle (Inc. Key No. 3) | 56 | 73510600 | Nut - KEPS 3/8 - 16 |
| 5 | 8504J | Fuel Cap | 57 | 110029X | Link - Lift |
| 6 | 104800X | Support Tank, Fuel | 58 | 110729X | Rod - Adjust, Lift |
| 7 | 3615J | Tank, Fuel | 59 | 105706X | Bearing |
| 8 | 6999R | Hose Clamp | 60 | 106499X | Retainer - Belt |
| 9 | 7833R | Fuel Line | 61 | 74760624 | Washer - Hardened |
| 10 | 281707 | Engine Briggs & Stratton, Type No. 0133-01 | 62 | 110812X | Ring - Klip |
| 11 | 19131016 | Washer 13/32 x 5/8 x 16 Ga. | 63 | 12000039 | Spring - Return, Clutch |
| 12 | 101273X | Muffler | 64 | 105709X | Link - Clutch |
| 13 | 2949R | Gasket - Exhaust | 65 | 105710X | Pin - Cotter 1/8 x 3/4 |
| 15 | 13240300 | 90° Street Elbow 3/8 NPT | 66 | 76020412 | Bellcrank Assembly (Inc. Key No.59) |
| 16 | 13280328 | Std. Pipe Nipple 3/8 - 18 NPT x 3 - 1/2 | 70 | 74760624 | Bolt - Hex 3/8 - 16 x 1 - 1/2 |
| 17 | 13200300 | 90° Elbow, 3/8 NPT | 71 | 108056X | Bushing - Handle, Clutch |
| 18 | 72140606 | Bolt - Rd. Hd. Sq. Neck 3/8 - 16 x 3/4 | 72 | 19121612 | Washer 3/8 x 1 x 12 Ga. |
| 20 | 102727X | Spring - Extension | 73 | 8330H | Set Screw - hex Socket Forged headless 3/8 - 16 x 3/8 |
| 21 | 104598X | Rod Assembly - Lever | 84 | 110810X | Trunnion - Stop, Depth |
| 22 | 104777X | Retainer - Belt, Chassis, L.H. | 85 | 19151216 | Washer 15/32 x 3/4 x 16 Ga. |
| 25 | 106983X | Handle - Clutch Attachment | 86 | 12000037 | Klip Ring |
| 26 | 4617J | Grip - Handle | 88 | 17720408 | Screw Hex Washer Head Thread Cutting 1/4 - 20 x 1/2 |
| 29 | 19292016 | Washer 29/32 x 1 - 1/4 x 16 Ga. | 89 | 105844X | Rod - Brake, Park |
| 30 | 17490612 | Screw - Hex Washer Thd. Rolling 3/8 - 16 x 3/4 | 90 | 71673 | Plunger Cap |
| 31 | 109623X | Baffle - Vertical | 94 | 76020308 | Cotter Pin 3/32 x 1/2 |
| 32 | 19131312 | Washer 13/32 x 13/16 x 12 Ga. | 95 | 19252016 | Washer 25/32 x 1 - 1/4 x 16 Ga. |
| 33 | 17450808 | Screw - Hex #8 x 1/2 | 99 | 12000022 | E-Ring |
| 34 | 17490628 | Screw - Hex Washer Hd. Thread Rolling 3/8 - 16 x 3/4 TYPE TT | 100 | 6431J | Pad - Spacer |
| 35 | 105855X | Link - Lift, Adjustable | 101 | 19111416 | Washer 11/32 x 7/8 x 16 Ga. |
| 36 | 109037X | Shaft - Pedal, Foot | 102 | 110457X | Washer 9/32 x 5/8 x 16 Ga. |
| 37 | 1572H | Roll Pin 3/16 x 1 | 104 | 73350600 | Nut - Hex Jam 3/8 - 16 |
| 37A | 106918X | Arm - Brake | 105 | 110807X | Nut - Special |
| 38 | 2228M | Woodruff Key | 106 | 101200K | Spacer 13/32 x 1 1/4 x 17/32 |
| 40 | 106204X | Trunnion, Lift | 107 | 13310300 | 45° Street Elbow 3/8 Npt. |
| 41 | 120174X | Shaft Assembly - Lift | 108 | 71070510 | Hex Hd. Cap Screw 5/16 x 5/8 |
| 42 | 73220600 | Nut Fin Hex 3/8 - 16 | 109 | 12000300 | Pipe Plug |
| 43 | 4939M | Retainer Spring | 110 | 11060600 | Washer 1 1/2 x 13/16 x 16 Ga. |
| 44 | 109413X | Grip - Handle | 115 | 19131316 | Washer 1 1/2 x 13/16 x 16 Ga. |
| 45 | 105723X | Plunger - Lever, Hand | 116 | 673A223 | Spark Arrestor Kit |
| 46 | 2876H | Spring | | | |
| 47 | 104597X | Lever Assembly, Hand Kit (Inc. Key Nos. 45, 46 and 2 each 74) | | | |
| 48 | 104799X | Brace - Tank | | | |
| 49 | 100734K | Handle - Adjust, Lift | | | |
| 51 | 104915X | Strip - Foam 14.5" | | | |
| 52 | 104915X | Deflector - Muffler | | | |

NOTE: All component dimensions given in U.S. inches - 1 inch = 25.4 mm

REPAIR PARTS
DRIVE GROUP

ROPER LAWN TRACTOR—MODEL NUMBER LT120CF



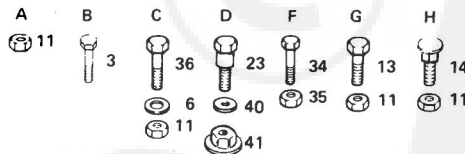
REPAIR PARTS

DRIVE GROUP

ROPER LAWN TRACTOR—MODEL NUMBER LT120CF

| KEY NO. | PART NO. | DESCRIPTION |
|---------|----------|--|
| 1 | 109070X | Keeper - Belt |
| 2 | 108236X | Bracket - Switch |
| 3 | 17021008 | Screw - Tap. Hex Hd, 10 - 24 x 1/2 |
| 4 | 105730X | Keeper - Belt, Engine |
| 5 | 120302X | V-Belt, Drive |
| 6 | 19131312 | Washer 13/32 x 13/16 x 12 Ga. |
| 7 | 105864X | Bracket - Suspension |
| 8 | 106444X | Bracket - Bellcrank |
| 9 | 108451X | Rod Assembly - Clutch Primary |
| 11 | 73680600 | Nut - Crownlock 3/8 - 16 |
| 12 | 109728X | Bellcrank Assembly |
| 13 | 74760612 | Bolt - Hex 3/8 - 16 x 3/4 |
| 14 | 72140606 | Bolt - Rd, Hd, Sq, Neck 3/8 - 16 x 3/4 |
| 15 | 19171516 | Washer 17/32 x 15/16 x 16 Ga. |
| 16 | 105863X | Arm Assembly - Suspension - L.H. |
| 17 | 9135R | Retainer - Spring |
| 18 | 4859J | Idler - Flat |
| 19 | 73220800 | Nut - Hex 1/2 - 13 |
| 20 | 106308X | Trunnion - Lift Lower |
| 22 | 105862X | Arm Assembly - Suspension - R.H. |
| 23 | 105848X | Bolt - Shoulder 3/8 - 16 |
| 24 | 105731X | Pulley - Engine |
| 25 | 74770728 | Bolt - Hex 7/16 - 20 x 1 - 3/4 |
| 26 | 10040700 | Washer - Lock 7/16 |
| 27 | 74760644 | Bolt - Hex 3/8 - 16 x 2 - 3/4 |
| 28 | 4470J | Spacer |
| 29 | 106190X | Clamp |
| 30 | 109370X | Strap - Locator |
| 31 | 109368X | Keeper, Belt, L.H. |
| 32 | 109369X | Keeper, Belt, R.H. |
| 33 | 4921H | Spring - Retainer |
| 34 | 74760512 | Bolt, Hex 5/16 - 18 x 3/4 |
| 35 | 73680500 | Nut, Lock 5/16 - 18 |
| 36 | 74760616 | Bolt - Hex 3/8 - 16 x 1 |
| 37 | 76020412 | Pin - Cotter 1/8 x 3/4 |
| 38 | 19131410 | Washer 13/32 x 7/8 x 10 Ga. |
| 39 | 5320R | Clip - Insulated |
| 40 | 110739X | Washer - Spring |
| 41 | 73980600 | Nut - Flangelock 3/8 |
| 42 | 6404J | Spacer 1/2 X 9/16 |

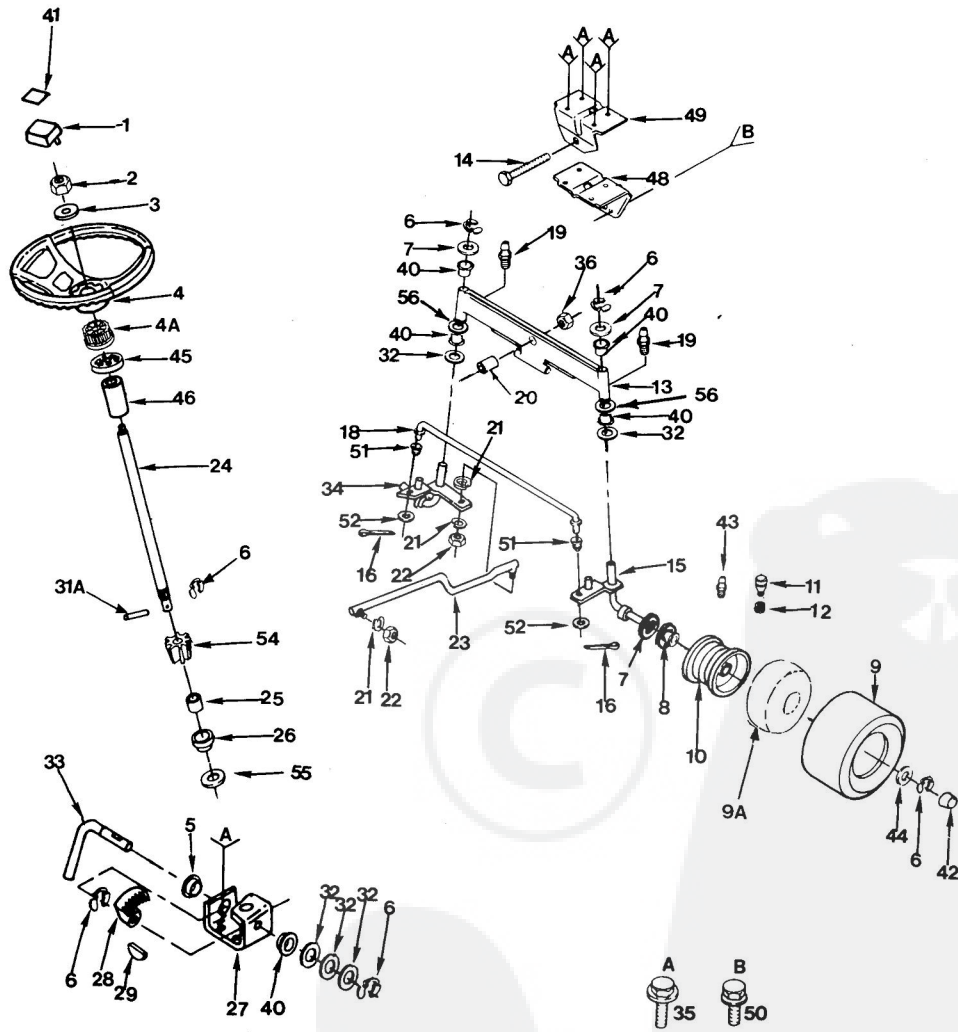
NOTE: All component dimensions given in U.S. inches - 1 inch = 25.4 mm



REPAIR PARTS

ROPER LAWN TRACTOR—MODEL NUMBER LT120CF

STEERING, FRONT AXLE AND WHEELS



REPAIR PARTS

ROPER LAWN TRACTOR—MODEL NUMBER LT120CF

STEERING, FRONT AXLE AND WHEELS

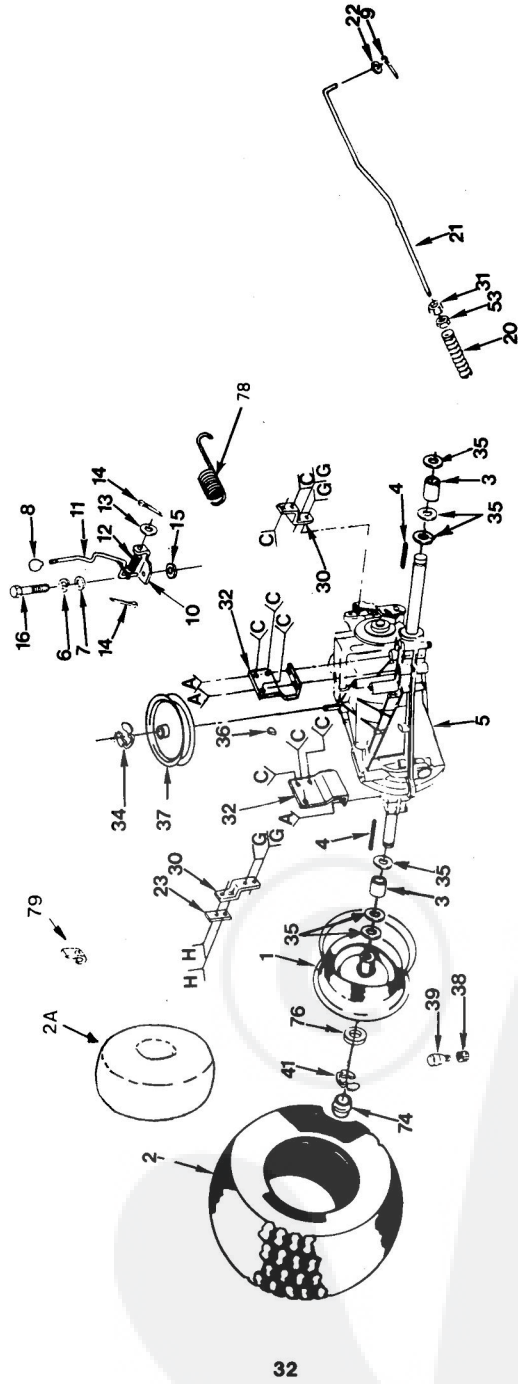
NOTE: All component dimensions given
in U.S. inches - 1 inch = 25.4 mm

| KEY | PART NO. | DESCRIPTION |
|-----|-----------|---|
| 1 | 100710L | Insert - Steering Wheel |
| 2 | 73940800 | Nut - Hex Jam Toplock 1/2 - 20 |
| 3 | 100712K | Washer 17/32 x 2 - 1/4 x .160 |
| 4 | 100713N | Steering Wheel 13" |
| 4A | 100711L | Adapter - Wheel, Steering |
| 5 | 109816X | Nyliner - Snap-In |
| 6 | 12000029 | Klipring |
| 7 | 19252016 | Washer 25/32 x 1 - 1/4 x 16 Ga. |
| 8 | 9040H | Bearings - Wheel, Front |
| 9 | 106222X | Tire - 15 6.00 - 6 (Tubeless) |
| 9A | 59904 | Tube - Tire (not furnished with Tractor) |
| 10 | 106732X | Rim Assembly - 6" Front (Inc. 2 each Key No.8) |
| 11 | 65139 | Stem - Valve |
| 12 | 59192 | Cap - Valve |
| 13 | 108075X | Axle Assembly - Front |
| 14 | 747610600 | Bolt - Hex 5/8 - 11 x 3 - 3/4 |
| 15 | 105654X | Spindle Assembly - R.H. |
| 16 | 76020412 | Pin - Cotter 1/8 x 3/4 |
| 18 | 105715X | Tie Rod |
| 19 | 6855M | Fitting - Grease |
| 20 | 110438X | Bearing |
| 21 | 100406000 | Lockwasher 3/8 |
| 22 | 73610600 | Nut - Hex 3/8 - 24 |
| 23 | 105727X | Drag Link |
| 24 | 109556X | Shaft - Steering |
| 25 | 74580 | Spacer |
| 26 | 71208 | Bushing - Steering Rod |
| 27 | 109432X | Bracket Assembly - Steering |
| 28 | 108684X | Gear - Sector |
| 29 | 106126X | Woodruff Key 3/16 x 3/4 |
| 31A | 2882J | Drive Pin 3/16 x 1 |
| 32 | 6266H | Hardened Washer (1 - 3 as required) |
| 33 | 108683X | Rod - Steering |
| 34 | 105656X | Spindle Assembly - L.H. |
| 35 | 17490612 | Screw - Hex Washer Hd. Thread Forming Type TT 3/8 - 16 x 3/4 |
| 36 | 73901000 | Nut - Lock Flange, 5/8 - 11 |
| 40 | 3366R | Bearing |
| 41 | 104590X | Decal - Steering Wheel |
| 42 | 104757X | Cap - Hub, Frnt |
| 43 | 278H | Grease Fitting |
| 44 | 19252616 | Washer 25/32 x 1 - 5/8 x 16 Ga. |
| 45 | 106943X | Spacer - Shaft, Steering |
| 46 | 106944X | Tube - Shaft, Steering |
| 48 | 105664X | Support - Saddle, Front |
| 49 | 105663X | Support - Saddle, Rear |
| 50 | 17490508 | Screw - Hex Washer Thd. Rolling 5/16 - 18 x 1/2 |
| 51 | 120382 X | Bushing |
| 52 | 19131416 | Washer 13/32 x 7/8 x 16 Ga. |
| 54 | 108685X | Gear - Pinion |
| 55 | 101930X | Washer - Hardened |
| 56 | 19272016 | Washer - 27/32 x 1 - 1/4 x 16 Ga. |

REPAIR PARTS

DRIVE GROUP

ROPER LAWN TRACTOR—MODEL NUMBER LT120CF



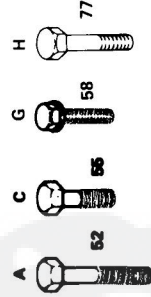
REPAIR PARTS

ROPER LAWN TRACTOR—MODEL NUMBER LT120CF

TRANSAXLE AND REAR WHEEL

NOTE: All component dimensions given in U.S. inches — 1 inch = 25.4 mm

| KEY NO. | PART NO. | DESCRIPTION | KEY NO. | PART NO. | DESCRIPTION |
|---------|----------|---|---------|----------|---|
| 1 | 106108X | Rim Assembly - 8" Rear | 30 | 105842X | Strap - Torque |
| 2 | 106268X | Tire - 18 x 9.50 - 8 (Tubeless) | 31 | 73350600 | Nut - Hex Jam 3/8 - 16 |
| 2A | 7152J | Tube - Tire (not furnished with Tractor) | 32 | 109167X | Bracket - Transaxle |
| 3 | 109502X | Spacer - Split | 34 | 12000028 | Ring - Clip |
| 4 | 2703J | Key - Square 3/16 x 2 | 35 | 19252016 | Washer 25/32 x 1 - 1/4 x 16 Ga. (2 to 4 as required) |
| 5 | 4150-59 | Transaxle Foot, 5 Speed, (see pages 36 and 37 for parts breakdown). | 36 | 2228M | Woodruff Key 3/16 x 3/4 |
| 6 | 10040400 | Washer - Lock 1/4 | 37 | 105703X | Pulley - Input |
| 7 | 19091210 | Washer - 9/32 x 3/4 x 10 Ga. | 38 | 59192 | Cap - Valve |
| 8 | 106933X | Knob - Control | 39 | 65139 | Stem - Valve |
| 9 | 76020412 | Cotter Pin 1/8 x 3/4 | 41 | 12000001 | E-Ring |
| 10 | 106919X | Plate - Rod, Shift | 52 | 74760644 | Bolt - Hex 3/8 - 16 x 2 - 3/4 |
| 11 | 105699X | Rod - Shifter | 53 | 73680600 | Nut - Crownlock, 3/8 - 16 |
| 12 | 105700X | Spring - Torsion | 55 | 74760612 | Bolt - Hex 3/8 - 16 x 3/4 |
| 13 | 19151216 | Washer 15/32 x 3/4 x 16 Ga. | 58 | 17490512 | Screw Hex Washer Hd, Thd. Form, Type TT 5/16 - 18 UNC x 3/4 |
| 14 | 76020416 | Pin, Cotter 1/8 x 1 | 74 | 104757X | Cap - Hub, Rear |
| 15 | 105701X | Washer - Shift Plate | 76 | 19252816 | Washer 25/32 x 1 - 5/8 x 16 Ga. |
| 16 | 71040412 | Bolt - Hex 1/4 - 28 x 3/4 Gr. 8 | 77 | 74760616 | Bolt - Hex 3/8 - 16 x 1 |
| 20 | 106888X | Spring - Rod, Brake | 78 | 110422X | Spring Brake |
| 21 | 110437X | Rod - Brake | 79 | 2751R | Clip, Fuel Line |
| 22 | 19131316 | Washer 13/32 x 13/16 x 16 Ga. | | | |
| 23 | 106157X | Plate - Strap, Torque | | | |

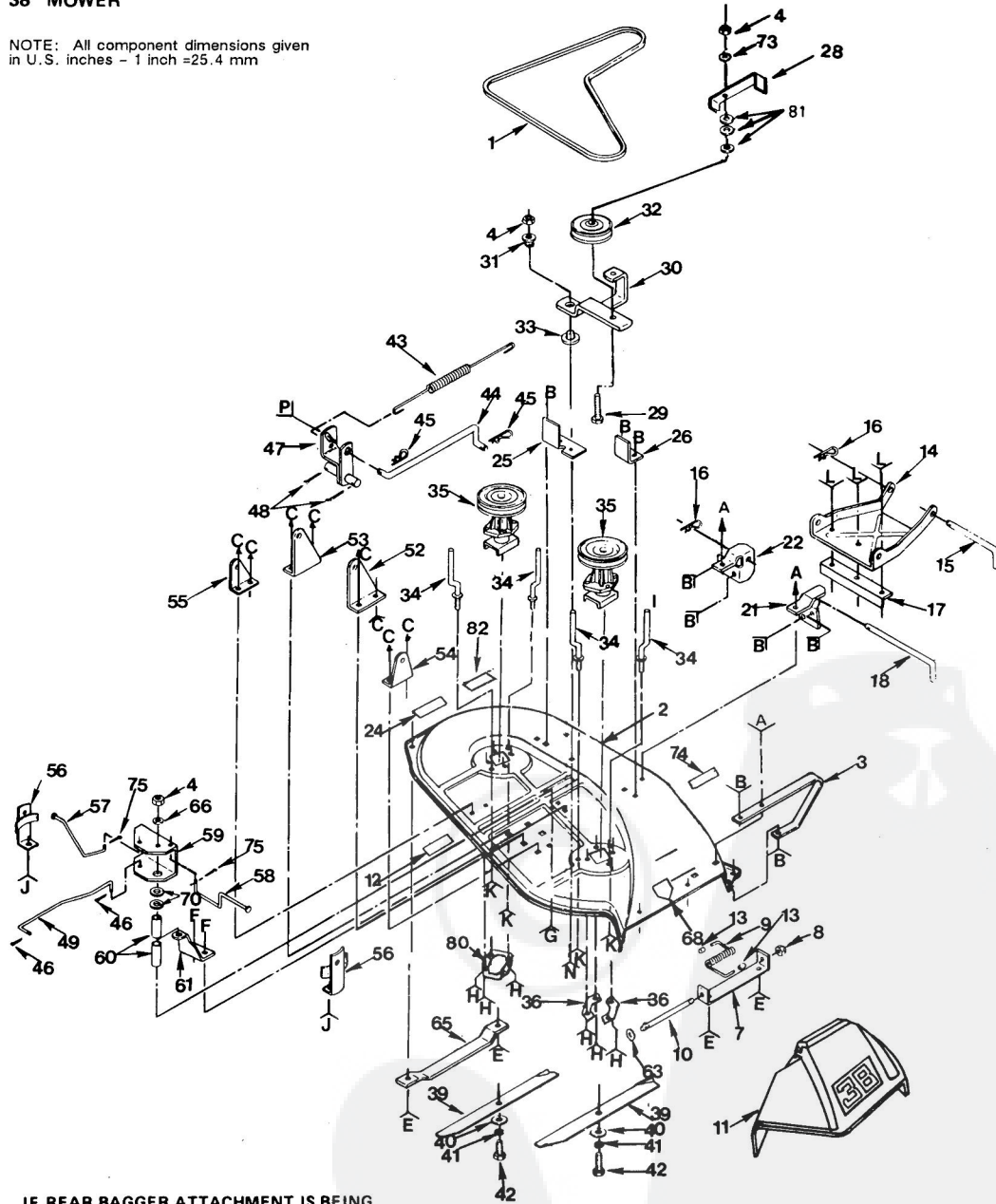


REPAIR PARTS

ROPER LAWN TRACTOR—MODEL NUMBER LT120CF

38" MOWER

NOTE: All component dimensions given in U.S. inches - 1 inch = 25.4 mm



IF REAR BAGGER ATTACHMENT IS BEING USED, REFER TO REAR BAGGER OWNERS MANUAL FOR BLADE PART NO.

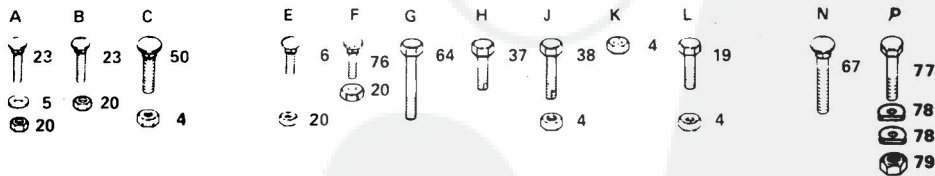
REPAIR PARTS

ROPER LAWN TRACTOR—MODEL NUMBER LT120CF

38" MOWER

NOTE: All component dimensions given in U.S. inches - 1 inch = 25.4 mm

| KEY NO. | PART NO. | DESCRIPTION | KEY NO. | PART NO. | DESCRIPTION |
|---------|----------|---|---------|----------|----------------------------------|
| 1 | 106085X | V-Belt | 44 | 108235X | Rod - Clutch, Mower |
| 2 | 105689X | Housing | 45 | 4921H | Spring - Retainer |
| 3 | 8417J | Runner R.H. | 46 | 76020312 | Pin - cotter, 3/32 x 3/4 |
| 4 | 73680600 | Nut, Lock, 3/8 - 16 | 47 | 109892X | Rock Shaft Assembly |
| 5 | 19111216 | Washer, 11/32 x 3/4 x 16 Ga. | 48 | 76020616 | Pin, Cotter, 3/16 x 1 |
| 6 | 72140505 | Bolt, Carr., 5/16 - 18 x 5/8 | 49 | 108247X | Rod, Brake, Primary |
| 7 | 105896X | Bracket, Deflector | 50 | 74140606 | Bolt, Carriage 3/8 - 16 x 3/4 |
| 8 | 110452X | Push nut | 52 | 108243X | Bracket, Pivot, R.H. |
| 9 | 106734X | Spring, Deflector | 53 | 108241X | Bracket, Pivot, L.H. |
| 10 | 106735X | Rod - Hinge | 54 | 105857X | Bracket, Susp., Rear, R.H. |
| 11 | 106736X | Deflector - Shield | 55 | 108673X | Bracket, Susp., Rear, L.H. |
| 12 | 105814X | Decal, V-Belt | 56 | 106578X | Brake Assembly |
| 13 | 105304X | Cap | 57 | 106463X | Rod, Brake, Secondary, L.H. |
| 14 | 105662X | Link, Parallel | 58 | 108249X | Rod, Brake, Secondary, R.H. |
| 15 | 105744X | Pin - Hinge, Front | 59 | 106456X | Bracket Brake, Pivot |
| 16 | 4921H | Spring - Retainer | 60 | 100672K | Spacer, Brake |
| 17 | 105872X | Stop, Link | 61 | 100673L | Bracket, Support |
| 18 | 105743X | Pin - Hinge, Rear | 63 | 19111016 | Washer, 11/32 x 5/8 x 16 Ga. |
| 19 | 74760612 | Bolt, 3/8 - 16 x 3/4 | 64 | 74760684 | Bolt, 3/8 - 16 x 5 - 1/4 |
| 20 | 73680500 | Nut, Lock 5/16 - 18 | 65 | 7631J | Runner, L.H. |
| 21 | 109598X | Bracket, Lift, R.H. | 66 | 19131614 | Washer, 13/32 x 1 x 14 Ga. |
| 22 | 109597X | Bracket, Lift, L.H. | 67 | 72140610 | Bolt, Carr. 3/8 - 16 x 1 - 1/4 |
| 23 | 72140506 | Bolt, Carriage 5/16 - 18 x 3/4 | 68 | 107339X | Decal, Warning |
| 24 | 109820X | Decal, Instruction - Caution | 70 | 19131316 | Washer, 13/32 x 13/16 x 16 Ga. |
| 25 | 109503X | Support, Arm | 73 | 19132012 | Washer, 13/32 x 1 - 1/4 x 12 Ga. |
| 26 | 109504X | Stop, Deck, Front | 74 | 109819X | Decal, Warning |
| 28 | 106461X | Guide, Belt | 75 | 76020308 | Pin Cotter, 3/32 x 1/2 |
| 29 | 74760636 | Bolt 3/8 - 16 x 2 - 1/4 | 76 | 72110506 | Bolt Carriage, 5/16 - 18 x 3/4 |
| 30 | 108832X | Arm, Idler Assembly | 77 | 74760412 | Bolt - Hex 1/4 - 20 x 3/4 |
| 31 | 106902X | Spacer | 78 | 109893X | Washer - Special |
| 32 | 102403X | Pulley, Idler | 79 | 73680400 | Nut - Lock 1/4 - 20 |
| 33 | 106513X | Washer, Wear, 1-1/8 | 80 | 110445X | Plate Support L.H. |
| 34 | 102669X | Keeper, Belt | 81 | 19131407 | Washer, 13/32 x 7/8 x 7 Ga. |
| 35 | 105891X | Mandrel Assembly | | | |
| 36 | 100668L | Plate, Support, Mandrel | | | |
| 37 | 17490612 | Screw, Hex Washer Hd. 3/8 - 16 x 3/4 | | | |
| 38 | 17490620 | Screw, Hex Washer Hd. 3/8 - 16 x 1 - 1/4 | | | |
| 39 | 122264X | Blade, 38" <i>long model -> 14121263X (long model)</i> | | | |
| 40 | 19132012 | Washer 13/32 x 1 - 1/4 x 12 Ga. | | | |
| 41 | 10030600 | Washer, Lock, 3/8 | | | |
| 42 | 74610624 | Bolt, Hex 3/8 - 24 x 1 - 1/2 Gr.5 | | | |
| 43 | 108250X | Spring, Ext. | | | |

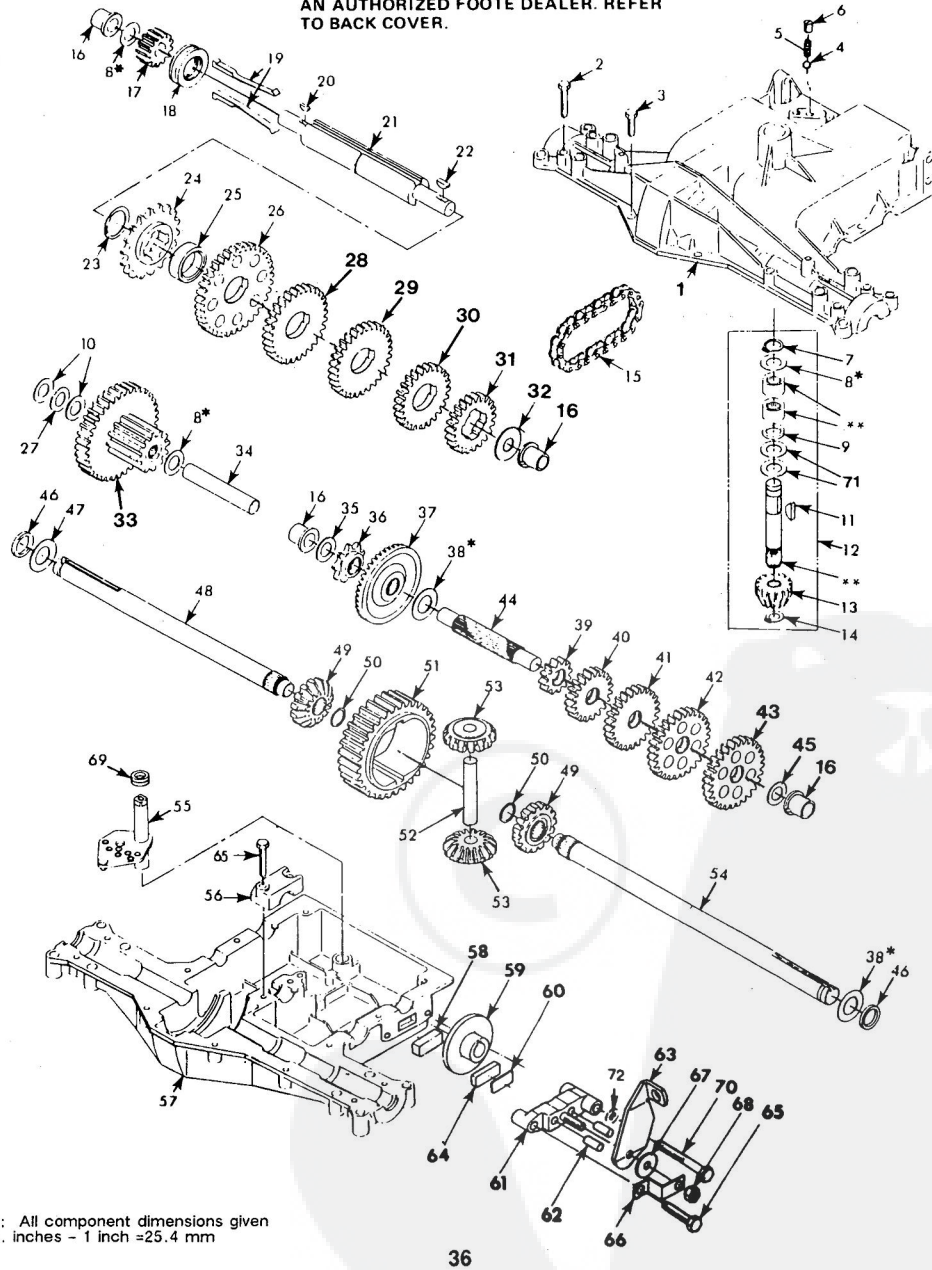


REPAIR PARTS

ROPER LAWN TRACTOR—MODEL NUMBER LT120CF TRANSAXLE FOOTE—MODEL NUMBER 4150—59

TRANSAXLE

ALL REPAIRS MUST BE PERFORMED BY
AN AUTHORIZED FOOTE DEALER. REFER
TO BACK COVER.



REPAIR PARTS

ROPER LAWN TRACTOR—MODEL NUMBER LT120CF TRANSAXLE FOOTE—MODEL NUMBER 4150—59

NOTE: All component dimensions given
in U.S. inches - 1 inch = 25.4 mm

TRANSAXLE

| KEY NO. | PART NO. | DESCRIPTION | KEY NO. | PART NO. | DESCRIPTION |
|---------|----------|-------------------------------------|---------|----------|--------------------------------------|
| 1 | 3655-B | Housing, Upper | 38 | 3653 | * Washer, Plain, .758 x 1.12 x .025 |
| 2 | 1360 | Screw, Tapping, 1/4-20 x 1.31 Lg. | 38 | 3408 | * Washer, Plain, .758 x 1.25 x .020 |
| 3 | 3396 | Screw, Tapping, 1/4-20 x .875 Lg. | 38 | 3732 | * Washer, Plain, .758 x 1.25 x .025 |
| 4 | 1151 | Ball, Detent | 38 | 3184 | * Washer, Plain, .758 x 1.25 x .031 |
| 5 | 3626 | Spring, Detent | 38 | 3733 | * Washer, Plain, .758 x 1.25 x .035 |
| 6 | 3623 | Screw, Set | 38 | 3198 | * Washer, Plain, .758 x 1.25 x .040 |
| 7 | 1099 | Ring, Retaining | 38 | 3734 | * Washer, Plain, .758 x 1.25 x .045 |
| 8 | 1441 | * Washer, Plain, .632 x 1.00 x .020 | 38 | 3735 | * Washer, Plain, .758 x 1.25 x .050 |
| 8 | 1423 | * Washer, Plain, .632 x 1.00 x .026 | 38 | 3736 | * Washer, Plain, .758 x 1.25 x .055 |
| 8 | 1082 | * Washer, Plain, .632 x 1.00 x .031 | 38 | 3180 | * Washer, Plain, .758 x 1.25 x .062 |
| 8 | 1424 | * Washer, Plain, .632 x 1.00 x .036 | 39 | 3646 | Gear, Spur, 12T |
| 8 | 1068 | * Washer, Plain, .632 x 1.00 x .041 | 40 | 3866 | Gear, Spur, 20T |
| 8 | 1425 | * Washer, Plain, .632 x 1.00 x .046 | 41 | 3719 | Gear, Spur, 25T |
| 8 | 1358 | * Washer, Plain, .632 x 1.00 x .050 | 42 | 3868 | Gear, Spur, 28T |
| 8 | 1145 | * Washer, Plain, .632 x 1.00 x .060 | 43 | 3683 | Gear, Spur, 31T |
| 8 | 1319 | * Washer, Plain, .632 x 1.00 x .082 | 44 | 3657 | Shaft, Drive |
| 9 | 3312 | O-Ring | 45 | 1145 | Washer, Plain, .632 x 1.00 x .060 |
| 10 | 1425 | Washer, Plain, .632 x 1.00 x .046 | 46 | 3191 | Seal, Felt |
| 11 | 1374 | Key, Woodruff, #9 | 47 | 3184 | Washer, Plain, .758 x 1.25 x .031 |
| 12 | 4134 | Ass'y., Kit, Input Shaft | 48 | 3846 | Axle, L.H. |
| 13 | 3590 | Pinion, Bevel, 14T | 49 | 3780 | Gear, Miter, 15T |
| 14 | 3624 | Ring, Retaining | 50 | 3656 | Ring, Retaining |
| 15 | 3625 | Chain, 24 Pitches | 51 | 3839 | Gear, Spur, 32T |
| 16 | 1542 | Bearing, Flange | 52 | 3919 | Shaft, Cross |
| 17 | 3773 | Gear, Spur, 14T | 53 | 3781 | Gear, Miter, 15T |
| 18 | 3631 | Collar, Clutch | 54 | 3845 | Axle, R.H. |
| 19 | 3676 | Key, Clutch | 55 | 4192 | Ass'y., Shifter |
| 20 | 1369 | Key, Woodruff, #3 | 56 | 3775 | Cap, Support |
| 21 | 3663 | Shaft, Intermediate | 57 | 3654-B | Housing, Lower |
| 22 | 1375 | Key, Woodruff, #61 | 58 | 3914 | Puck, Friction |
| 23 | 3627 | Ring, Retaining | 59 | 3276 | Disc, Brake |
| 24 | 3640 | Sprocket, 18T | 60 | 3758 | Spacer |
| 25 | 3841 | Spacer | 61 | 3916 | Jaw, Brake |
| 26 | 3786 | Gear, Spur, 37T | 62 | 3843 | Pin, Dowel |
| 27 | 3422 | Spacer, .630 x 1.00 x .169 | 63 | 3768 | Lever, Actuating |
| 28 | 3867 | Gear, Spur, 30T | 64 | 3907 | Puck, Friction |
| 29 | 3783 | Gear, Spur, 25T | 65 | 3724 | Screw, Tapping, 5/16 - 18 x 1.44 Lg. |
| 30 | 3869 | Gear, Spur, 22T | 66 | 3917 | Bracket, Anti-Rotation |
| 31 | 3741 | Gear, Spur, 19T | 67 | 3760 | Washer, Plain, .321 x 1.00 x .055 |
| 32 | 3628 | Washer, Plain, .640 x 1.37 x .061 | 68 | 3847 | Nut, Lock, 5/16 - 24 |
| 33 | 4286 | Ass'y., Gear, Comb., 12T & 35T | 69 | 3789 | V-Ring |
| 34 | 3918 | Shaft, Idler | 70 | 3915 | Screw, Tapping, 5/16-18 x 2.25 Lg. |
| 35 | 1959 | Washer, Plain, .631 x 1.00 x .010 | 71 | 3876 | Washer, Plain, .632 x 1.38 x .046 |
| 36 | 3645 | Sprocket, 9T | 72 | 3906 | Washer, Plain, .340 x .81 x .060 |
| 37 | 3853 | Gear, Bevel, 42T | 73 | 4300 | Grease |
| 38 | 3749 | * Washer, Plain, .758 x 1.12 x .010 | | | |
| 38 | 3652 | * Washer, Plain, .758 x 1.12 x .015 | | | |
| 38 | 3693 | * Washer, Plain, .758 x 1.12 x .020 | | | |

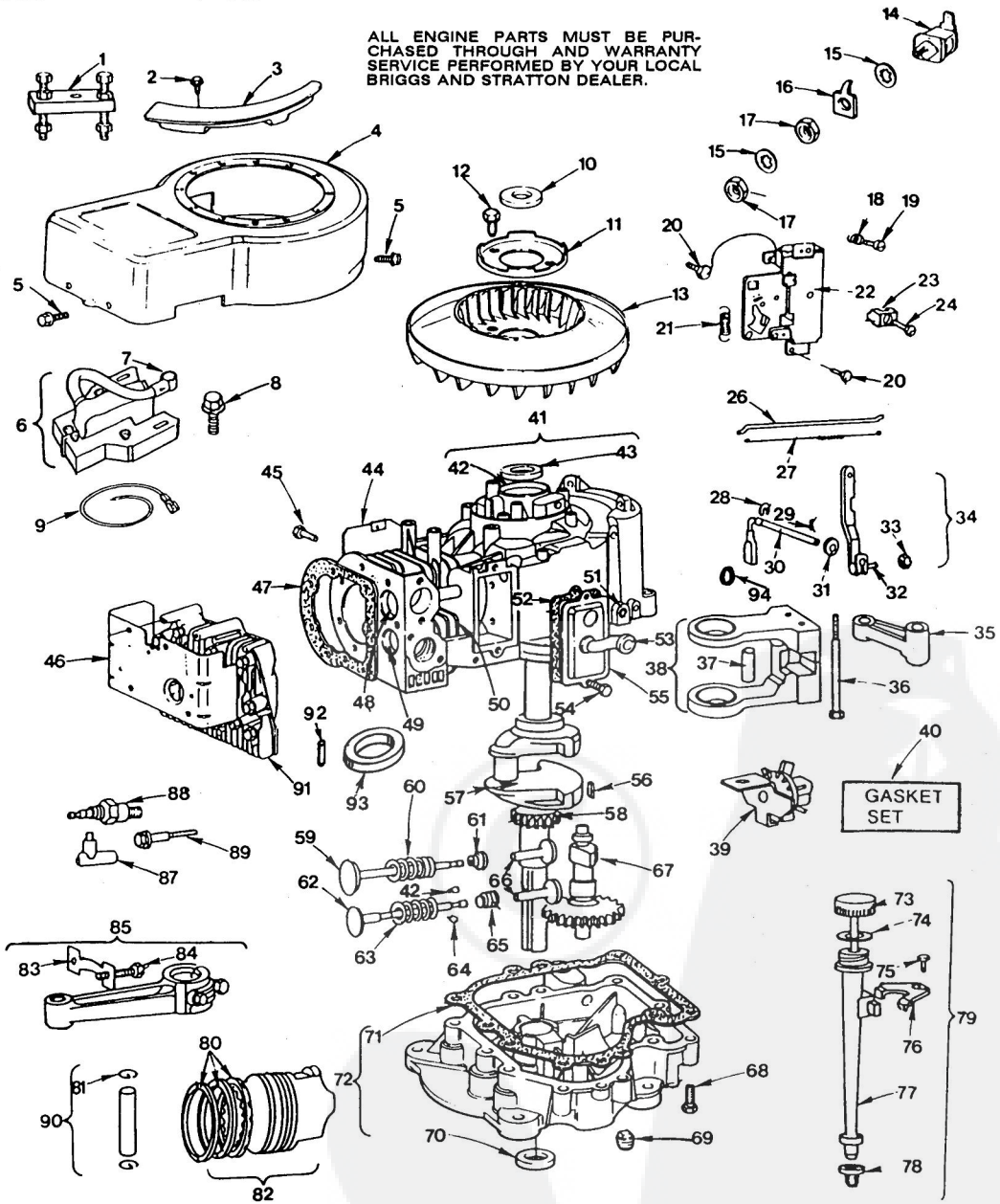
* USE IN VARIOUS COMBINATIONS TO MAINTAIN PROPER CLEARANCE.

** NOT SOLD SEPARATELY—ORDER KEY NO. 12.

REPAIR PARTS

ROPER LAWN TRACTOR—MODEL NUMBER LT120CF
ENGINE BRIGGS & STRATTON—MODEL NUMBER 281707, TYPE NUMBER 0133—01
CYLINDER BLOCK GROUP

ALL ENGINE PARTS MUST BE PURCHASED THROUGH AND WARRANTY SERVICE PERFORMED BY YOUR LOCAL BRIGGS AND STRATTON DEALER.



REPAIR PARTS

ROPER LAWN TRACTOR—MODEL NUMBER LT120CF ENGINE BRIGGS & STRATTON—MODEL NUMBER 281707, TYPE NUMBER 0133—01

CYLINDER BLOCK GROUP

NOTE: All component dimensions given
in U.S. inches - 1 inch = 25.4 mm

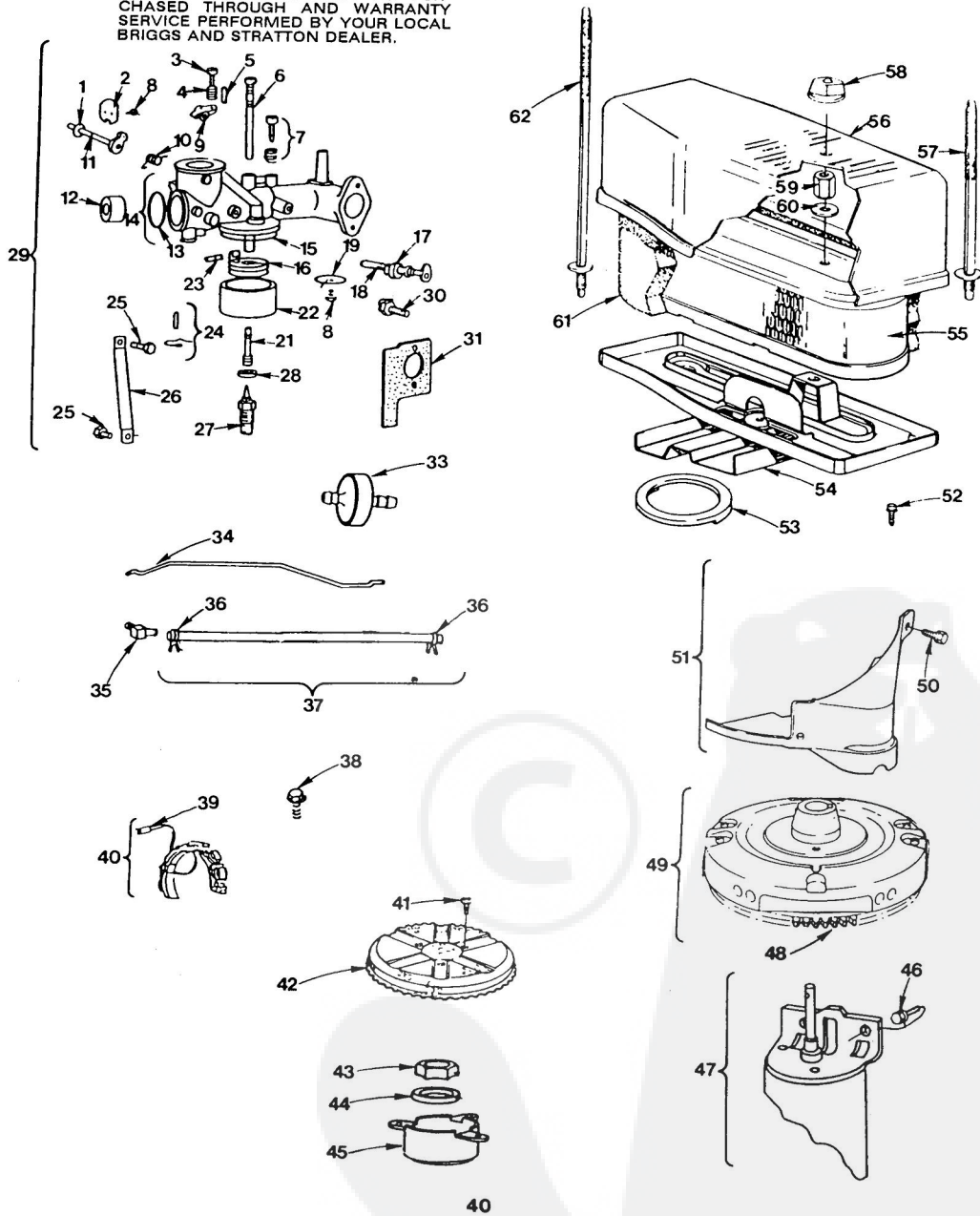
| KEY NO. | PART NO. | DESCRIPTION | KEY NO. | PART NO. | DESCRIPTION |
|---------|----------|---|---------|----------|---|
| 1 | 19203 | Pulley - Flywheel | 52 | 27803 | *Gasket - Valve Cover |
| 2 | 93705 | Screw - Sem | 53 | 280100 | Tube - Breather |
| 3 | 223752 | Guard - Flywheel | 54 | 93394 | Screw - Sem |
| 4 | 490689 | Housing - Blower | 55 | 391406 | Breather Assy |
| 5 | 93158 | Screw - Blower Housing Mtg. Sem | 56 | 222698 | Key - Flywheel |
| 6 | 398811 | Armature - Magneto (Inc. Key No. 7) | 57 | 490466 | Crankshaft (NOTE: Order Part No. 94196 for Timing Gear Key) |
| 7 | 221798 | Terminal - Ignition Cable | 58 | 262135 | Gear - Timing |
| 8 | 93381 | Screw - Armature Mounting Sem | 59 | 262247 | Valve - Intake |
| 9 | 398808 | Wire - Ground | 60 | 65906 | Spring - Intake Valve |
| 10 | 231531 | Spacer - Clutch | 61 | 221596 | Retainer - Intake Valves |
| 11 | 223726 | Retainer - Fan | 62 | 262246 | Valve - Exhaust |
| 12 | 93535 | Screw - Sem | 63 | 26828 | Spring - Exhaust Valve |
| 13 | 280687 | Fan - Flywheel | 64 | 93630 | Retainer - Exhaust Valve Rotocoil |
| 14 | 398525 | Insulator Assembly | 65 | 292260 | Rotocoil - Exhaust Valve |
| 15 | 92791 | Washer - Lock, Shakeproof | 66 | 262248 | Tappet - Valve |
| 16 | 93722 | Terminal - Spade | 67 | 212897 | Gear - Cam |
| 17 | 90576 | Nut - Hex 8-32 | 68 | 94305 | Screw - Base Mtg. Sem |
| 18 | 26157 | Spring - Throttle Adjustment | 69 | 91084 | Plug - Oil Drain |
| 19 | 90200 | Screw - Machine Fill. Hd. 8-32 x 1/2" | 70 | 291675 | Seal - Oil |
| 20 | 93572 | Screw | 71 | 271916 | *Gasket - Crankcase Cover 1/64" thick |
| 21 | 260695 | Spring - Governor | 71 | 271996 | *Gasket - Crankcase Cover .005" thick |
| 22 | 390784 | Plate - Governor Control | 71 | 271997 | *Gasket - Crankcase Cover .009" thick |
| 23 | 221535 | Clamp - Casing | 72 | 490452 | Base - Engine (Inc. Key No.'s 70 & 71) |
| 24 | 93496 | Screw - Sem | 73 | 490327 | Cap and Dipstick - Oil Filter |
| 26 | 262348 | Link - Governor | 74 | 270920 | Seal - Oil Filler Cap |
| 27 | 260584 | Spring - Governor Link | 75 | 93804 | Screw - Clamp Mtg. |
| 28 | 93307 | Retainer - E-Ring | 76 | 223721 | Clamp - Oil Filler Tube |
| 29 | 93306 | Cotter - Hair Pin | 77 | 280741 | Tube - Oil Filler |
| 30 | 231058 | Crank - Governor | 78 | 68838 | Seal - Filler Tube |
| 31 | 222450 | Washer - Governor Crank | 79 | 490474 | Fill Group - Oil (Inc. Key No.'s 73, 74, 75, 76, 77, & 78) |
| 32 | 92613 | Bolt - Governor lever | 80 | 394665 | Ring Set - Piston - Std. |
| 33 | 231082 | Nut - Hex 10-24 | 80 | 391781 | Ring Set - Piston - .010" O.S. |
| 34 | 490927 | Lever Assy - Governor (Inc. Key No.'s 32 & 33) (For 1/4" Dia. Crank) | 80 | 391782 | Ring Set - Piston - .020" O.S. |
| 35 | 212359 | Link - Counterweight | 80 | 391783 | Ring Set - Piston - .030" O.S. |
| 36 | 93875 | Screw - Counterweight | 81 | 260924 | Lock - Piston Pin |
| 37 | 298909 | Pin - Counterweight | 82 | 394661 | Piston Assy - Std. (Inc. Key No.'s 80 & 81) |
| 38 | 399891 | Counterweight Assy (Inc. Key No. 37) | 82 | 394662 | Piston Assy - .010" O.S. |
| 39 | 490815 | Oil Slinger, Governor Gear and Bracket Assy | 82 | 394663 | Piston Assy - .020" O.S. |
| 40 | 490525 | Gasket Set | 82 | 394664 | Piston Assy - .030" O.S. |
| 41 | 490450 | Cylinder Assy (Inc. Key No.'s 42 & 43) | 83 | 222299 | Lock - Connecting Rod Screw |
| 42 | 261623 | +Bearing - Cylinder | 84 | 92909 | Screw - Connecting Rod |
| 43 | 391086 | Seal - Oil | 85 | 490348 | Rod Assy - Connecting (Inc. Key No.'s 83 & 84) (For Connecting Rod with .020" Undersize Crank Pinbore Order No. 490469) |
| 44 | 223715 | Shield - Cylinder | 87 | 66538 | Elbow - Spark Plug |
| 45 | 93163 | Screw - Cylinder Shield Mtg. Sem | 88 | 293918 | Plug - Spark |
| 46 | 223718 | Cover - Cylinder Head | 89 | 93723 | Screw - Cylinder Head |
| 47 | 271866 | Gasket - Cylinder Head | 90 | 299691 | Pin Assy - Piston - Std. (Inc. Key No. 81) |
| 48 | 261463 | +Seat - Intake Valve | 90 | 391286 | Pin Assy - Piston - .005" O.S. |
| 49 | 210940 | +Seat - Exhaust Valve | 91 | 213181 | Head - Cylinder |
| 50 | 261961 | +Guide - Exhaust Valve | 92 | 94160 | Pin - Eccentric |
| 51 | 231055 | NOTE: 231218 Guide - Intake Valve (Brass) Bushing - Governor Crank | 93 | 262243 | Eccentric |
| | | | 94 | 491323 | Seal - Oil |

+Special Tools Required to Install
*Included in Gasket Set - Part No. 393411

REPAIR PARTS

ROPER LAWN TRACTOR—MODEL NUMBER LT120CF
ENGINE BRIGGS & STRATTON—MODEL NUMBER 281707, TYPE NUMBER 0133—01
CARBURETOR

ALL ENGINE PARTS MUST BE PURCHASED THROUGH AND WARRANTY SERVICE PERFORMED BY YOUR LOCAL BRIGGS AND STRATTON DEALER.



REPAIR PARTS

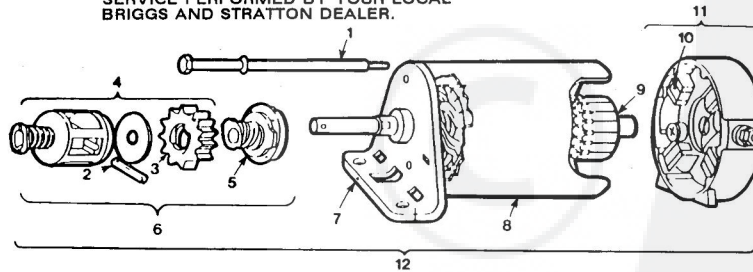
ROPER LAWN TRACTOR—MODEL NUMBER LT120CF ENGINE BRIGGS & STRATTON—MODEL NUMBER 281707, TYPE NUMBER 0133—01 CARBURETOR

| KEY NO | PART NO | DESCRIPTION | KEY NO | PART NO | DESCRIPTION |
|--------|---------|---|--------|---------|--|
| 1 | 270382 | Washer Choke Shaft | 31 | 270872 | *Gasket - Carburetor Mounting |
| 2 | 222010 | Valve Choke | 33 | 298090 | Filter - Fuel |
| 3 | 91920 | Screw Machine, Fill. Hd. 8 32 5/8" | 34 | 261610 | Link - Choke |
| 4 | 26157 | Spring Throttle Adjustment | 35 | 67218 | Connector - Fuel Pipe |
| 5 | 93043 | Pin - Throttle Shop | 36 | 93053 | Clamp - Fuel Pipe |
| 6 | 299740 | +Nozzle - Carburetor | 37 | 393815 | Line - Fuel (Inc. Key No. 36) |
| 7 | 292681 | +Valve Assy - Carburetor Idle | 38 | 93621 | Screw - Sem |
| 8 | 93499 | Screw - Throttle and Choke Valve Mtg. Sem | 39 | 393814 | Diode and Connector Assy |
| 9 | 211712 | Stop Throttle | 40 | 391529 | Stator Assembly - Alternator (Inc. Key No. 39) |
| 10 | 261116 | Spring - Choke Return | 41 | 93805 | Screw - Sem |
| 11 | 390684 | Shaft and Lever - Choke | 42 | 223713 | Screen - Flush Rotating |
| 12 | 211960 | Venturi - Carburetor | 43 | 92284 | Nut - Hex |
| 13 | 221997 | Plug - Welch | 44 | 220865 | Washer - Spring |
| 14 | 490473 | Body Assy Carburetor (Inc. Key No. 13) | 45 | 222561 | Cup - Screen Mounting |
| 15 | 270511 | Gasket - Float Bowl | 46 | 93535 | Screw - Sem |
| 16 | 299707 | Float - Carburetor | 47 | 490420 | Motor & Drive Assy (Inc. Key No. 46) |
| 17 | 398970 | Seal - Throttle Shaft | 48 | 392134 | Gear - Ring |
| 18 | 491006 | Shaft and Lever - Throttle | 49 | 399917 | Flywheel and Ring Gear Assy |
| 19 | 222433 | Valve - Throttle | 50 | 93984 | Magneto (Inc. Key No. 48) |
| 21 | 231323 | +Screw - Nozzle | 51 | 490324 | Screw - Sem |
| 22 | 221995 | Bowl - Float | 52 | 94018 | Cover - Starter (Inc. Key No. 50) |
| 23 | 230896 | + Pin - Float Hinge | 53 | 270853 | Screw - Sem |
| 24 | 394681 | + Valve - Fuel Inlet | 54 | 490332 | Gasket - Air Cleaner |
| 25 | 93572 | Screw | 55 | 399806 | Body - Air Cleaner |
| 26 | 222311 | Bracket - Carburetor | 56 | 223700 | Cartridge - Air Cleaner |
| 27 | 396568 | +Valve - Needle | 57 | 94246 | Cover - Air Cleaner |
| 28 | 222014 | +Washer - Float Bowl | 58 | 212706 | Stud - Air Cleaner |
| 29 | 491031 | Carburetor Assy (Inc. Key No.'s 1, 2, 3, 4, 5, 6, 7, 8, & 28) | 59 | 231532 | Knob - Air Cleaner |
| 30 | 93357 | Screw Carburetor Mtg. | 60 | 94249 | Nut - Air Cleaner Mtg. |
| | | | 61 | 271962 | Washer - Air Cleaner |
| | | | 62 | 94248 | Element - Air Cleaner |
| | | | | 394698 | Stud - Air Cleaner |
| | | | | | Carburetor Overhaul Kit |

STARTER - MOTOR

ALL ENGINE PARTS MUST BE PURCHASED THROUGH AND WARRANTY SERVICE PERFORMED BY YOUR LOCAL BRIGGS AND STRATTON DEALER.

+Included in Carburetor Overhaul Kit - Part No. 394698
*Included in Gasket Set - Part No. 393411



| KEY NO. | PART NO. | DESCRIPTION | KEY NO. | PART NO. | DESCRIPTION |
|---------|----------|--|---------|----------|--|
| 1 | 94004 | Thru Bolt Assembly | 7 | 394857 | End Cap Assembly Drive |
| 2 | 94288 | Roll Pin | 8 | 394544 | Housing Assy |
| 3 | 280104 | Gear | 9 | 391160 | Armature Assy |
| 4 | 490467 | Retainer Kit (Inc. Key No.'s 3, 4 & 6) | 10 | 395538 | Brush Assy |
| 5 | 398003 | Clutch Assembly | 11 | 395537 | End Cap Assy Commutator (Inc. Key No. 10) |
| 6 | 490421 | Drive Assembly (Inc. Key No.'s 2, 3, 4, & 5) | 12 | 490420 | Motor & Drive Assy (Inc. Key No.'s 1, 2, 3, 4, 5, 6, 7, 8, 9, 10 & 11) |

NOTE: All component dimensions given in U.S. inches - 1 inch = 25.4 mm

Superseding Warranty

BRIGGS & STRATTON ENGINE WARRANTY POLICY

effective October 1, 1976

Replaces all undated previous Warranties and all Warranties dated before October 1, 1976

When warranty repair is justified, Briggs & Stratton Corporation welcomes such repair by any of its Authorized Service Centers.

In most instances, the requests for warranty brought to the attention of our service accounts are handled in a prompt routine manner with no question regarding their validity. However, some requests for warranty are received which are not justified. In these cases, engine owners may not be aware that the premature failure of their engine was the result of abuse or neglect, or that the difficulty which they experience is caused by the equipment rather than the engine.

BRIGGS & STRATTON WARRANTY covers only DEFECTIVE MATERIAL and/or WORKMANSHIP.

LIMITED WARRANTY FOR I/C SERIES AND SNO/GARD ENGINES ONLY

"For two years from date of purchase, Briggs & Stratton Corporation will replace for the original purchasers, free of charge, any part, or parts of the engine, found upon examination by any Factory Authorized Service Center, or by the Factory at Milwaukee, Wisconsin, to be defective in material or workmanship or both. This is the exclusive remedy.
"For five years from date of purchase, Briggs & Stratton Corporation will replace for the original purchasers, free of charge, any part, or parts of the MAGNETRON® Ignition System (excluding the spark plug), found upon examination by any Factory Authorized Service Center, or by the Factory at Milwaukee, Wisconsin, to be defective in material or workmanship, or both, so as to result in the loss of ignition. This is the exclusive remedy.
"All transportation charges on parts submitted for replacement under this Warranty must be borne by purchaser. For warranty service contact your nearest Authorized Service Center as listed in the 'Yellow Pages' under 'Engines, Gasoline' or 'Gasoline Engines.' THERE IS NO OTHER EXPRESS WARRANTY. IMPLIED WARRANTIES, INCLUDING THOSE OF MERCHANTABILITY AND FITNESS FOR A PARTICULAR PURPOSE ARE LIMITED TO ONE YEAR FROM PURCHASE AND TO THE EXTENT PERMITTED BY LAW ANY AND ALL IMPLIED WARRANTIES ARE EXCLUDED. LIABILITY FOR CONSEQUENTIAL DAMAGES UNDER ANY ANY ALL IMPLIED WARRANTIES EXCLUDED TO THE EXTENT EXCLUSION IS PERMITTED BY LAW. Some jurisdictions do not allow limitations on how long an implied warranty lasts, and some jurisdictions do not allow the exclusion or limitation of incidental or consequential damages, so the above limitation and exclusion may not apply to you. This warranty gives you specific legal rights and you may also have other rights which vary from jurisdiction to jurisdiction."

Briggs & Stratton Corporation



F. P. Stratton, Jr.
President and Chief Executive Officer

NO REGISTRATION (WARRANTY) CARD IS NECESSARY TO OBTAIN WARRANTY ON BRIGGS & STRATTON ENGINES. FILL IN THE REQUIRED INFORMATION AND RETAIN FOR YOUR RECORD:

(Engine Model, Type and Code Numbers are located on the Blower Housing, Cylinder Head Shield or Backplate).

Engine Model No. _____ Type No. _____ Code No. _____

Dealer Purchased From _____

Type of Equipment _____

Name or Trademark of Equipment Manufacturer _____

If warranty service is needed contact your nearest Authorized Service Center. For prompt attention your center will need to know the engine model, type and code number, the trouble experienced and the total number of hours the engine has run. If you differ with the decision of a Service Center on a warranty claim, ask the Service Center to submit all supporting facts to the Factory for review. If the Factory decides that your claim is justified, you will be fully reimbursed for those items accepted as defective.

CONGRATULATIONS . . .

on your purchase of a Riding Lawn Tractor. It has been designed, engineered and manufactured to give you dependability and performance. Should you experience any problems you cannot easily remedy, please contact your nearest authorized Roper dealer. He has well-trained technicians and the proper tools and parts to service or repair this unit.

Please read and retain this manual. Following the "Rules For Safe Operation", "Assembly", "Operation", and "Maintenance" instructions will help you achieve a long, safe service life for your Riding Lawn Tractor.

LIMITED WARRANTY

Roper Corporation warrants to the original consumer purchaser that this product as manufactured is free from defects in materials and workmanship. For a period of two (2) years from date of purchase by the original consumer purchaser, we will repair or replace, at our option, without charge for parts or labor incurred in replacing parts which we find to be defective due to materials or workmanship. This warranty is subject to the following limitations and exclusions:

1. Engine Warranty: All engines on Roper Products have a separate Warranty extended by the individual Engine Manufacturer; said Warranty must be referred to in the event of a service requirement(see pages 42 and 43).
2. Transaxle/Transmission Warranty: Some Roper products have a Transaxle/Transmission supplied by other manufacturers. Such Transaxle/Transmissions are warranted by that manufacturer and said Warranty must be referred to in the event of a service requirement(see page 44).
3. Battery Warranty: On products equipped with a battery, Roper will replace, without cost to you, any battery which we find to be defective in manufacture during the first year of ownership. Battery must be maintained in accordance with instructions in the product literature.
4. The warranty period for any products used for rental or commercial purposes is limited to 90 days from the date of original purchase.
5. This warranty applies only to product which have been properly assembled, adjusted and operated in accordance with instructions found in this product literature for your product. This warranty does not apply to any product which has been subject to alterations, misuse, abuse, improper assembly, installation or delivery damages.
6. Exclusions: Excluded from this warranty are belts, blades, blade adapters, normal wear, normal adjustments, standard hardware, and normal maintenance.
7. In the event you have a claim under this warranty, you must return the product to an authorized Roper Outdoor Power Equipment service dealer.

Should you have any unanswered questions concerning this warranty, please contact:

| | | |
|-------------------------------|------------------------------|-----------------------|
| In U.S.A. contact: | In Canada contact: | For locations outside |
| Roper Outdoor Power Equipment | Roper Canada Limited | the U.S.A. or Canada: |
| Service Department | 1040 Jayson Court | See the back cover of |
| P.O. Box 1687 | Mississauga, Ontario L4W 2V5 | this Book |
| Orangeburg, SC 29116 | | |
| PHONE: 800-435-3688 | | |

giving the model number, serial number and date of purchase of your product and the name and address of the authorized Roper dealer from whom it was purchased.

THIS WARRANTY DOES NOT APPLY TO INCIDENTAL OR CONSEQUENTIAL DAMAGES AND IMPLIED WARRANTIES ARE LIMITED TO THE SAME TIME PERIODS STATED HEREIN FOR ROPER'S EXPRESSED WARRANTIES. Some locales do not allow the limitation of consequential damages or limitation of how long an implied warranty may last, so the above limitations or exclusions may not apply to you. This warranty gives you specific legal rights and you may have other rights which vary from area to area.

This is a limited warranty within the meaning of that term as defined in the Magnuson-Moss Act of 1975.

840712

TABLE OF CONTENTS

| | | | |
|--|---|--------------------------------------|----|
| RULES FOR SAFE OPERATION | 1 | TROUBLE SHOOTING | 15 |
| ASSEMBLY INSTRUCTIONS | 2 | OPERATION INSTRUCTIONS-MOWER | 18 |
| OPERATION INSTRUCTIONS-TRACTOR | 5 | MAINTENANCE INSTRUCTIONS-MOWER | 19 |
| MAINTENANCE INSTRUCTIONS-TRACTOR | 8 | REPAIR PARTS | 23 |