

OWNER'S MANUAL

9/88

12 H.P. LAWN TRACTOR MODEL NUMBER LT120BF AND LT120BE



LAWN AND GARDEN
OUTDOOR POWER EQUIPMENT

ROPER

OUTDOOR POWER EQUIPMENT

DIVISION OF ROPER CORPORATION
P.O. BOX 1687
ORANGEBURG, SOUTH CAROLINA 29116
U.S.A.

TO REPLACE MOWER BELT

1. Slide Belt under Extension Spring (Fig. 42).
2. Place Belt of rear side of both Mandrels.
3. Spring Idler Belt Guide up and place Belt around rear side of Idler Pulley. Make certain Belt Guide is located per Figure 43.
4. Roll Belt over Engine Pulley. Make sure Belt is inside Belt Guides (Fig. 30).

TO REMOVE MOWER

1. Remove mower Belt per instructions under "To Remove Mower Belt", through step 3.
2. Remove Retainer Spring from Clutch Rod; pull Clutch Rod out of Clutch Bracket.
3. Pull Retainer Springs out of Rear Suspension Trunnions. Remove Rear Suspension Trunnions from Lift Brackets (Fig. 44).
4. Pull Retainer Spring out of Rear Hinge Pin. Remove Rear Hinge Pin.
5. Pull Retainer Spring out of Front Hinge Pin. Remove Front Hinge Pin.
6. Use Lift Lever to raise Suspension Arms. Slide mower out from under tractor.

NOTE: IF AN ATTACHMENT OTHER THAN THE MOWER DECK IS TO BE MOUNTED ON THE TRACTOR, THE L.H. AND R.H. SUSPENSION ARMS (FIG. 44) SHOULD BE REMOVED FROM TRACTOR.

STORAGE

When mower is to be stored for a period of time, clean it thoroughly, remove all dirt, grease, leaves, etc. Give blades and underside of housing a good coat of grease or rust preventative. Store in a clean dry area.

Keep tractor finish and seat free of gasoline, oil, insect chemicals, or battery acid. Protect painted surfaces with automotive type wax.

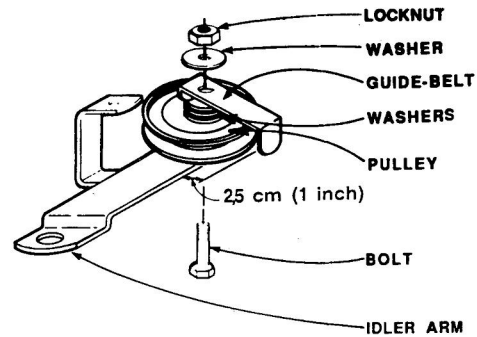


FIGURE 43

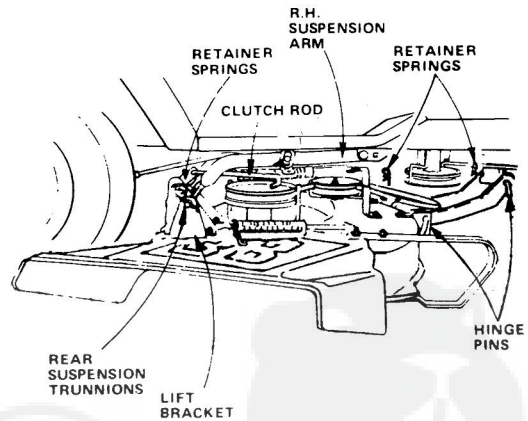
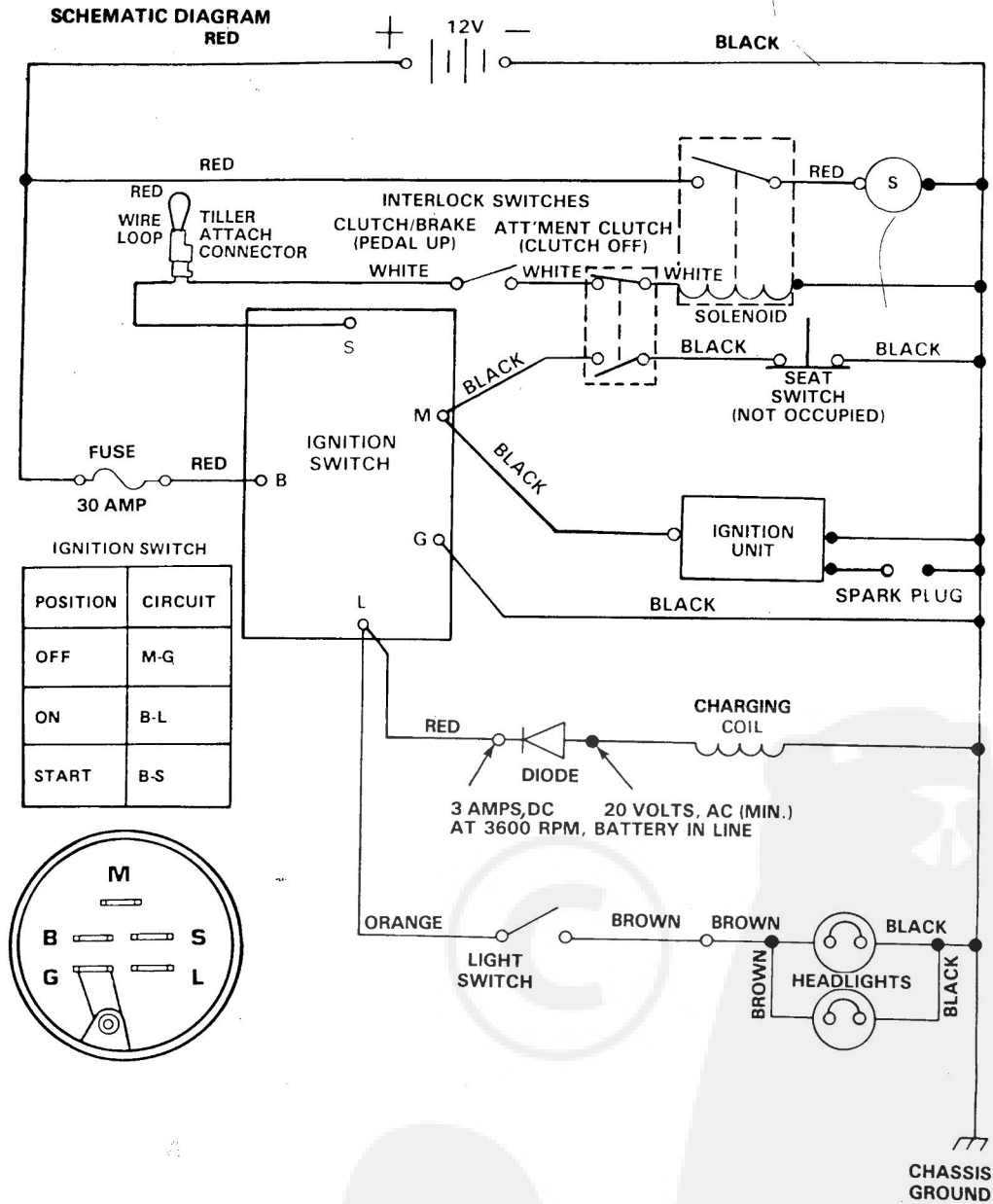


FIGURE 44

ROPER LAWN TRACTOR--MODEL NUMBER LT120BF AND LT120BE

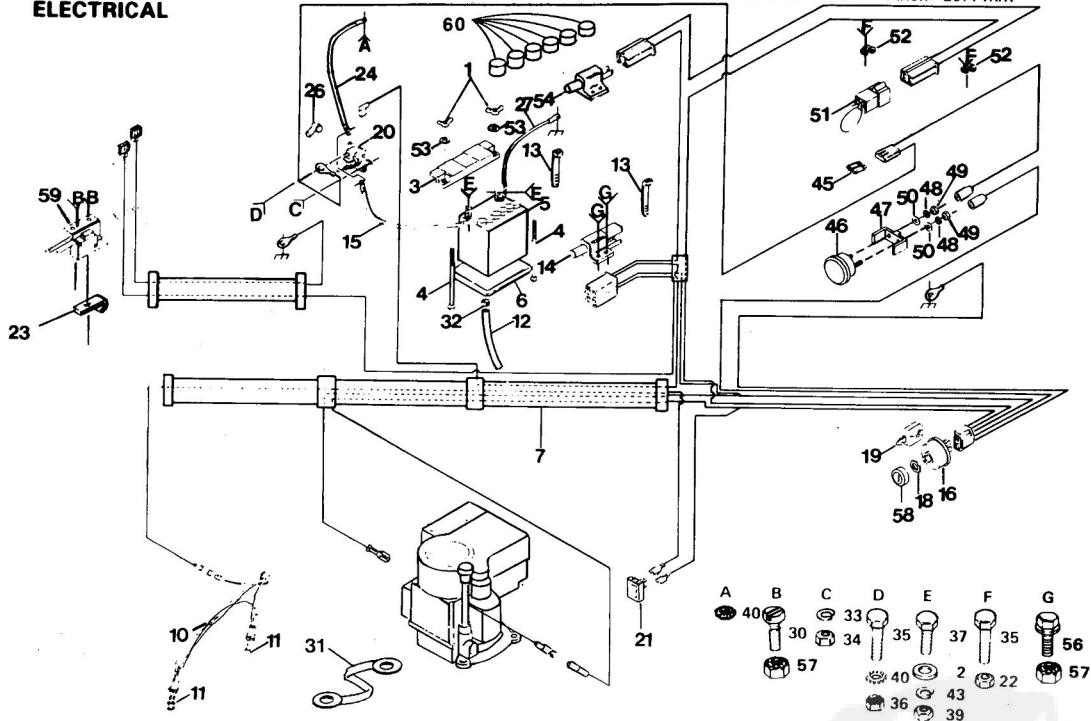


REPAIR PARTS

ROPER LAWN TRACTOR--MODEL NUMBER LT120BF AND LT120BE

NOTE: All component dimensions given
in U.S. inches - 1 inch = 25.4 mm

ELECTRICAL



KEY NO.	PART NO.	DESCRIPTION
1	73490400	Wing Nut 1/4 - 20
2	19091016	Washer 9/32 x 5/8 x 16 Ga.
3	102476X	Guard - Terminal
4	72240460	Battery Bolt (Bolt - Carriage, Rd. Hd. Sq. Neck 1/4 - 20 x 7 - 1/2)
5	120781X	Battery
6	7603J	Battery Tray
7	120130X	Harness - Ignition
10	110859X	Harness - Light Socket
11	7662J	Bulb - Light
12	7604J	Tube - Battery Tray
13	7192J	Cable Tie
14	109553X	Switch - Interlock
15	4206J	Cable - Battery (Battery to Solenoid)
16	4406R	Ignition Switch
18	109788X	Nut - Ignition
19	109434X	Key, Molded
20	109081X	Solenoid
21	110712X	Switch - Light
22	73680400	Nut - Hex 1/4 - 20
23	4171R	Clip Wire
24	4799J	Cable - Battery (Solenoid to Starter)
26	719J	Terminal Cover (For Solenoid)
27	4207J	Cable - Battery (Battery to Ground)
30	74641008	Screw 10 - 32 x 1/2 Pan Hd UNF 10 X 32 X 1/2
31	106299X	Strap - Ground
32	109596X	Clamp - Hose
33	10090400	Lockwasher 1/4
34	73350400	Nut - Hex Jam 1/4 - 20
35	74780408	Bolt - Hex 1/4 - 20 x 1/2 Gr.5

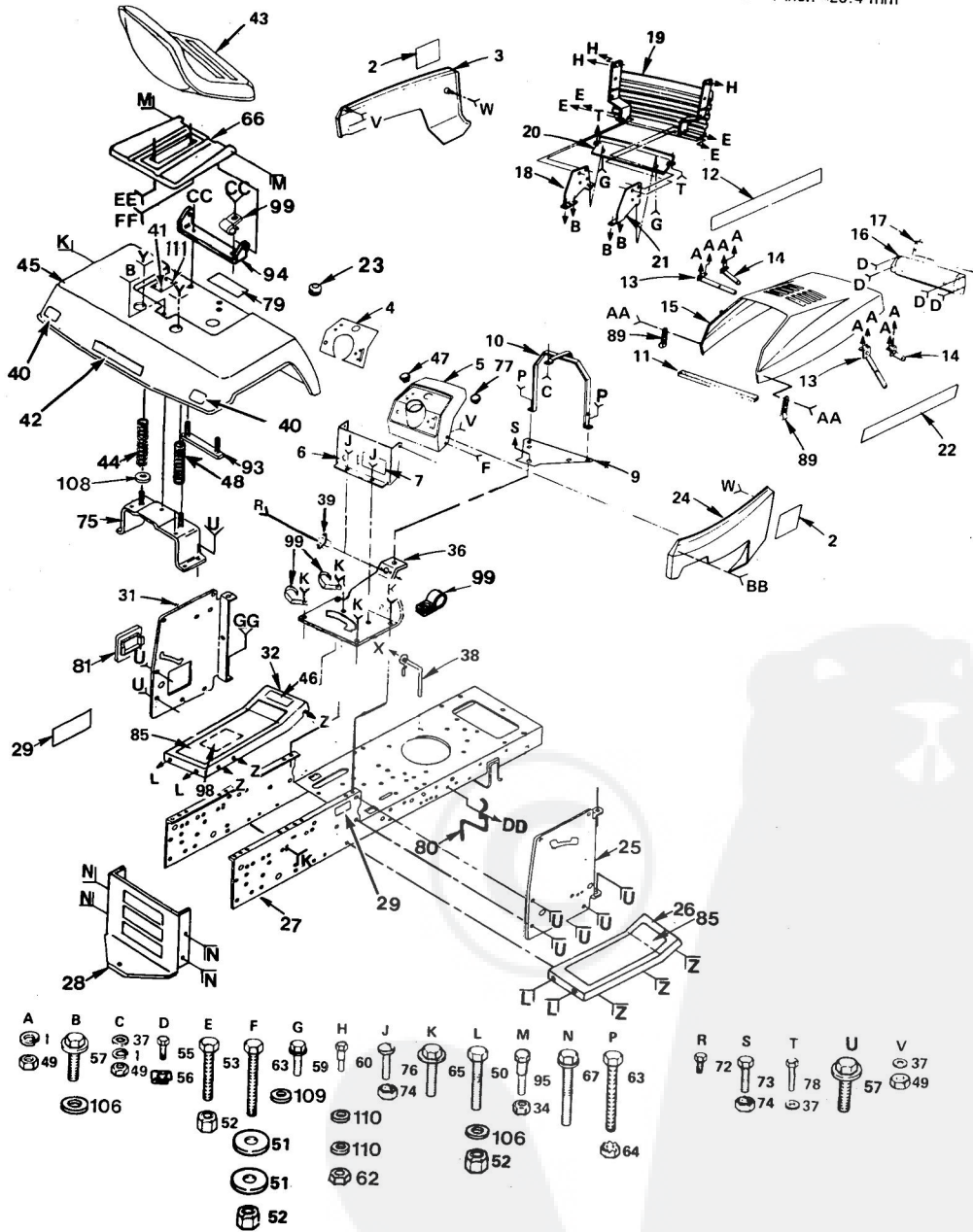
KEY NO.	PART NO.	DESCRIPTION
36	73510400	Nut - Keps, Hex 1/4 - 20
37	74760412	Bolt - Hex 1/4 - 20 x 3/4
39	73220400	Nut - Hex 1/4 - 20
40	11050400	Washer - Lock 1/4 INT Tooth
43	10040400	Lockwasher 1/4
45	108824X	Fuse - 30 Amp.
46	9433R	Ammeter
47	6009J	Bracket - Ammeter
48	10101000	Lockwasher No.10
49	73911000	Nut No.10
50	19070818	Washer 7/32 x 1/2 x 18 Ga.
51	102501X	Loop - Wire
52	235R	Clip - Insulated
53	11030400	Lockwasher - Int./Ext. 1/4
54	104445X	Switch - Interlock
56	71021008	Hex Washer Head Screw 10 - 32 x 1/2 UNF
57	73951000	Nut-Keps #10-32 UNF
58	109787X	Bezel - Ignition
59	121064X	Switch - Seat
60	120353X	Caps, Battery
--	101539X	Sheet, 15° Slope Instructions, English
--	101572X	Sheet, 15° Slope Instructions, French (LT120BF only)
--	120663X	Sheet, 15° Slope Instructions, German (LT120BE only)
--	120645X	Manual, Owners - English
--	120644X	Manual, Owners, - French (LT120BF only)
--	120775X	Manual, Owners - German (LT120BE only)

REPAIR PARTS

ENCLOSURES

ROPER LAWN TRACTOR--MODEL NUMBER LT120BF AND LT120BE

NOTE: All component dimensions given in U.S. inches - 1 inch = 25.4 mm



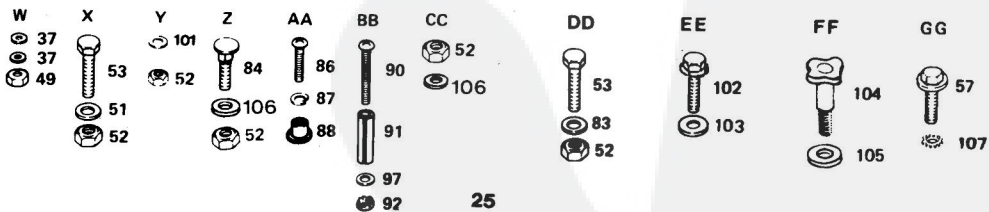
REPAIR PARTS

ENCLOSURES

ROPER LAWN TRACTOR--MODEL NUMBER LT120BF AND LT120BE

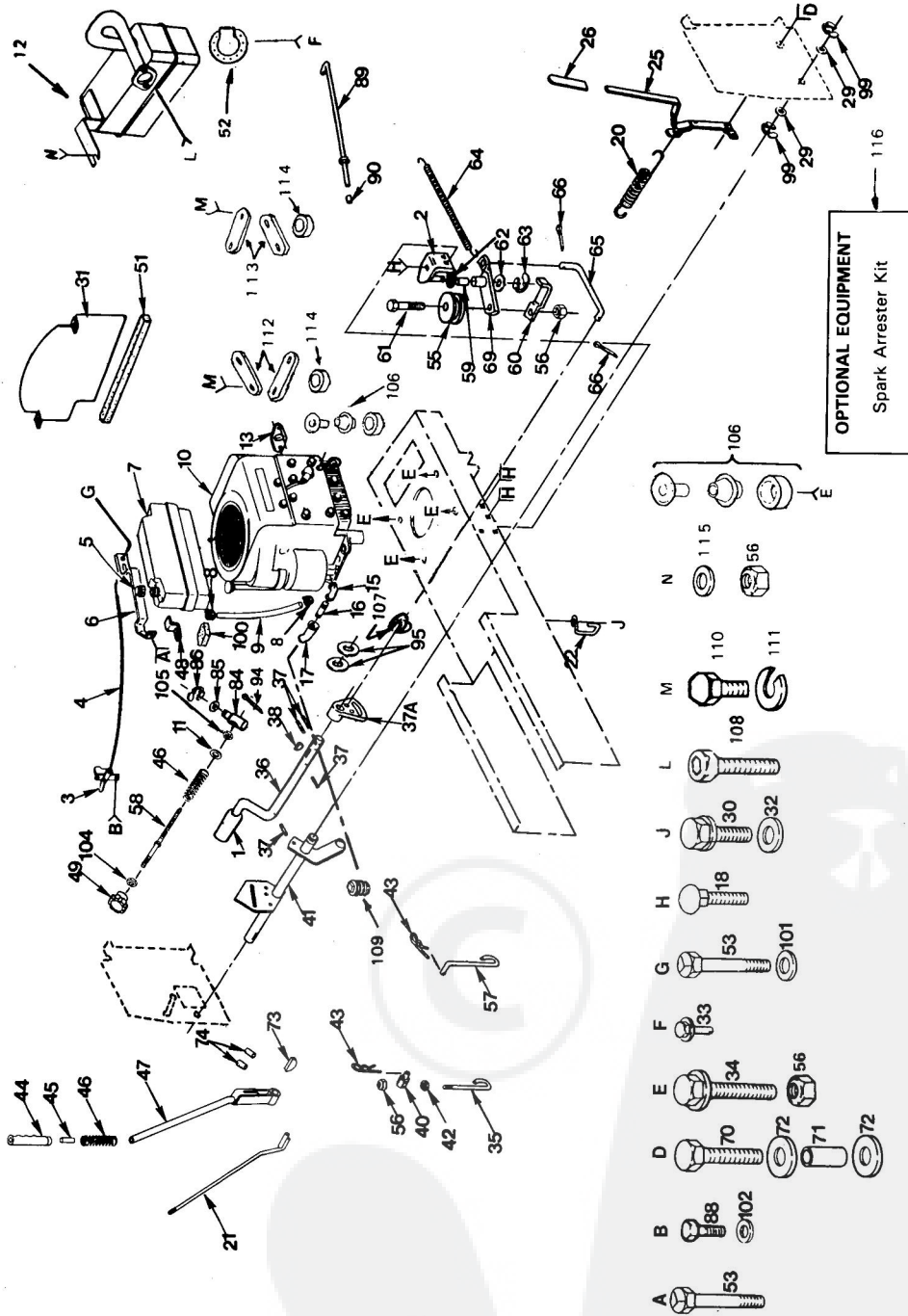
NOTE: All component dimensions given
in U.S. inches - 1 inch =25.4 mm

KEY NO.	PART NO.	DESCRIPTION	KEY NO.	PART NO.	DESCRIPTION
1	10040400	Washer, Lock 1/4	56	104755X	"J" Fastener
2	109615X	Decal - Side Panel	57	17490612	Screw - Hex Washer Hd. Thd. Rolling 3/8 - 16 x 3/4 Type TT
3	108442X388	Panel - Side, L.H.	59	17490512	Screw - Hex Washer Hd. Thd. Rolling 5/16 - 18 x 3/4 Type TT
4	120788X	Decal, Dash (LT120BE only)	60	7605J	Bolt - Shoulder 1/4 - 20
4	120381X	Decal, Dash (LT120BF only)	62	73680400	Nut - Crownlock 1/4 - 20
5	108679X	Dashboard	63	74760620	Bolt - Hex 3/8 - 16 x 1 - 1/4
6	104783X	Dash Assembly - Lower	64	73510600	Nut - Keps 3/8 - 16
7	120789X	Decal, Instruction (LT120BE only)	65	17490608	Screw - Hex Washer Hd. Thd. Forming 3/8 - 16 x 1/2 Type TT
7	109821X	Decal, Instruction (LT120BF only)	66	121069X	Pan - Seat
9	106965X	Plate - Support, Battery	67	17490612	Screw - Hex Washer Hd. Thd. Rolling 3/8 - 16 x 3/4 Type TT
10	104786X	Support Assembly - Dash	72	17431008	Screw - Hex Head Self Tapping No. 10 - 16 x 1/2 Type B
11	105037X	Foam - Strip	73	74780512	Bolt - Hex 5/16 - 18 x 3/4 Gr.5
12	104643X	Decal - Hood, L.H.	74	73510500	Nut - Keps 5/16 - 18
13	106784X	Strap Assembly - Hinge, Rear	75	105509X	Bracket Assembly - Fender
14	104618X	Strap Assembly - Hinge, Front	76	74180512	Screw - Mach. Cross Thd. 5/16 - 18 x 3
15	108370X388	Hood	77	5479J	Plug - Dash
16	104613X	Bezel Assembly	78	17490-	Screw - Hex Washer Hd. 1/4 - 20 x 3/4
17	106395X	Lens	79	120782x	Decal, Caution (LT120BE only)
18	104632X	Support - Grill, L.H.	79	109823X	Decal, Caution (LT120BF only)
19	104801X	Grill Assembly	80	106300X	Guide - Belt, Lower, Engine, Pulley, R.H.
20	104634X388	Strap - Grill (LT120BE only)	81	105505X	Cover - Access
20	105419X388	Strap Grill (LT120BF only)	83	19132012	Washer 13/32 x 1 - 1/4 x 12 Ga.
21	104633X	Support - Grill, R.H.	84	72140606	Bolt - Carriage 3/8 - 16 x 3/4
22	104644X	Decal - Hood, R.H.	85	109864X	Pad - Footrest
23	109641X	Grommet	86	74191008	Screw - Cross Recess Pan Hd. Machine 10 - 24 x 1/2
24	109613X388	Panel - Side, R.H.	87	10071000	Washer - Lock No. 10
25	106976X	Panel - Dash, R.H.	88	2029J	Nut - Weld
26	105464X388	Footrest - R.H.	89	109808X	Latch - Hood
27	120647X	Chassis	90	74981020	Screw - Machine Cross Recess 10 - 24 x 1 - 1/4
28	102481X	Drawbar	91	7206J	Spacer - Split 10 x 3/4
29	104808X	Decal - Frame	92	73731000	Nut - Keps 10 - 24
31	109665X	Panel - Dash, L.H.	93	105511X	Strap Assembly - Fender
32	105465X388	Footrest - L.H.	94	105513X	Bracket - Pivot, Seat
34	73680500	Locknut - Gripco 5/16 - 18	95	105529X	Bolt - Shoulder 5/16 - 18
36	108263X018	Saddle (LT120BE only)	97	19070818	Washer 7/32 x 1/2 x 18 Ga.
36	108263X013	Saddle (LT120BF only)	98	109199X	Decal - V-Belt Drive Schematic, Tractor
37	19091216	Washer 9/32 x 3/4 x 16 Ga.	99	2751R	Clip - Fuel Line
38	106301X	Guide - Belt, Lower, Engine, Pulley, L.H.	101	19131614	Washer 13/32 x 1 x 14 Ga.
39	1554J	Bushing - Steering	102	121094X	Shoulder Bolt 5/16 - 18 UNC
40	106202X	Reflector - Taillight	103	19151616	Washer 15/32 x 1 x 16 Ga.
41	---	Decal, TUV (LT120BE only)	104	120068X	Knob 1/2
41	---	NOT SERVICED	105	19171912	Washer 17/32 x 1 - 3/16 x 12 Ga.
41	---	Plate, Homologation (LT120BF only)	106	120684X	Washer - Neoprene
41	---	NOT SERVICED	107	11050600	Washer - Lock Ext. Tooth 3/8
42	104810X	Decal - Fender, Roper	108	120609X	Washer - Shim
43	110839X	Seat	109	19131210	Washer 13/32 x 3/4 x 10 Ga.
44	121068X	L.H. Seat Spring	110	120529X	Washer - Nylon
45	109640X388	Fender (LT120BE only)	111	98000159	Pop Rivet (LT120BF only)
45	120688X388	Fender (LT 120BF only)			
46	120784X	Decal - Clutch/Brake (LT120BE only)			
46	101892X	Decal - Clutch/Brake (LT120BF only)			
47	8022J	Plug - Dash			
48	121067X	R.H. Seat Spring			
49	73220400	Nut - Hex 1/4 - 20			
50	74760612	Bolt - Hex 3/8 - 16 x 3.4			
51	19131312	Washer 13/32 x 13/16 x 12 Ga.			
52	73680600	Nut - Crownlock 3/8 - 16			
53	74760616	Bolt - Hex 3/8 - 16 x 1			
55	17211010	Screw - Hex Washer Hd. Tapping 10 - 16 x 5/8			



REPAIR PARTS
POWER & MECHANICAL CONTROLS GROUP

ROPER LAWN TRACTOR—MODEL NUMBER LT120BF AND LT120BE



REPAIR PARTS

POWER & MECHANICAL CONTROLS GROUP ROPER LAWN TRACTOR—MODEL NUMBER LT120BF AND LT120BE

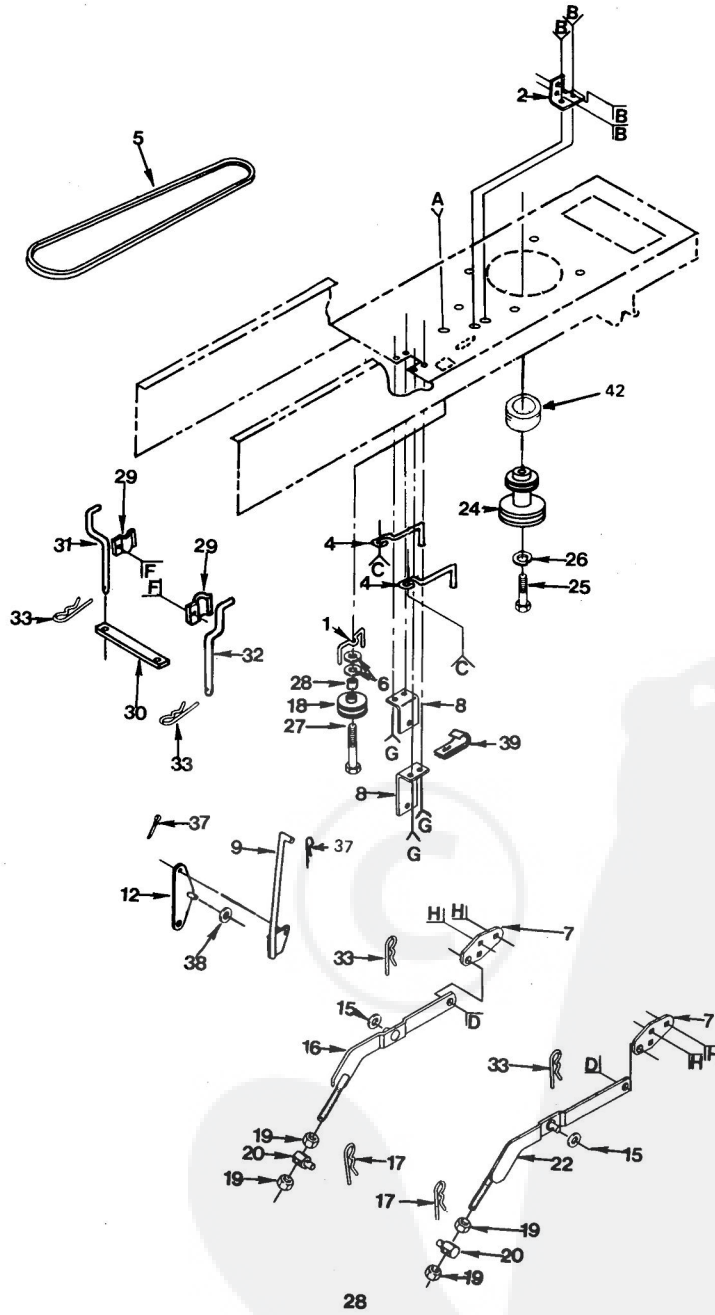
KEY NO.	PART NO.	DESCRIPTION	KEY NO.	PART NO.	DESCRIPTION
1	8883R	Pedal Cover	53	74780512	Bolt - Hex 5/16 - 18 x 3/4 Gr.5
2	105724X	Bracket Assembly - Clutch	54	73680500	Locknut 5/16 - 18 Gr.B
3	61159	Knob - Throttle Control	55	108298X	Pulley - Idler
4	120643X	Control - Throttle (Inc. Key No. 3)	56	73680600	Locknut 3/8 - 16
5	8504J	Fuel Cap	57	110029X	Link - Lift
6	104800X	Support - Tank, Fuel	58	110729X	Rod - Adjust. Lift
7	3615J	Tank - Fuel	59	105706X	Bearing
8	6999R	Hose Clamp	60	106499X	Retainer - Belt
9	7833R	Fuel Line	61	74760624	Bolt - Hex 3/8 - 16 x 1 - 1/2
10	281707	Engine Briggs & Stratton, Type No. 01333-01	62	110812X	Washer - Hardened
11	19131016	Washer 13/32 x 5/8 x 16 Ga.	63	12000039	Ring - Klip
12	101273X	Muffler	64	105709X	Spring - Return, Clutch
13	2949R	Gasket - Exhaust	65	105710X	Link - Clutch
15	13240300	90° Street Elbow 3/8 NPT	66	76020412	Pin - Cotter 1/8 x 3/4
16	13280328	Std. Pipe Nipple 3/8 - 18 NPT x 3 - 1/2	69	105705X	Bellcrank Assembly (Inc. Key No.59)
17	13200300	90° Elbow 3/8 NPT	70	74760624	Bolt - Hex 3/8 - 16 x 1 - 1/2
18	72140806	Bolt - Rd. Hd. Sq. Neck 3/8 - 16 x 3/4	71	108036X	Bushing - Handle, Clutch
20	102727X	Spring - Extension	72	19121612	Washer 3/8 x 1 x 12 Ga.
21	104598X	Rod Assembly - Lever	73	8330H	Woodruff Key 1/4 x 1
22	104777X	Retainer - Belt, Chassis, L.H.	74	23180606	Set Screw - hex Socket Forged Headless 3/8 - 16 x 3/8
25	106983X	Handle - Clutch Attachment	84	110810X	Trunnion - Stop, Depth
26	4617J	Grip - Handle	85	19151216	Washer 15/32 x 3/4 x 16 Ga.
29	19292016	Washer 29/32 x 1 - 1/4 x 16 Ga.	86	12000037	Klip Ring
30	17490612	Screw - Hex Washer Thd. Rolling 3/8 - 16 x 3/4	88	17720408	Screw Hex Washer Head Thread Cutting 1/4 - 20 x 1/2
31	109623X	Ball - Vertical	89	105844X	Rod - Brake, Park
32	19131312	Washer 13/32 x 13/16 x 12 Ga.	90	71673	Plunger Cap
33	17450808	Screw - Hex #8 x 1/2	94	76020308	Cotter Pin 3/32 x 1/2
34	17490644	Screw - Hex Washer Hd. Thread Rolling 3/8 - 16 x 2 - 3/4, Type TT	95	19252016	Washer 25/32 x 1 - 1/4 x 16 Ga.
35	105855X	Link - Lift, Adjustable	99	12000022	E-Ring.
36	109037X	Shaft - Pedal, Foot	100	6431J	Pad - Spacer
37	1572H	Roll Pin 3/16 x 1	101	19111416	Washer 11/32 x 7/8 x 16 Ga.
37A	106918X	Arm - Brake	102	110457X	Washer 9/32 x 5/8 x 16 Ga.
38	2228M	Woodruff Key	104	73350600	Nut - Hex Jam 3/8 - 16
40	106204X	Trunnion, Lift	105	110807X	Nut - Special
41	120174X	Shaft Assembly - Lift	106	120743X	Iso-Mount Asm.
42	73220600	Nut Fin Hex 3/8 - 16	107	13310300	45° Street Elbow 3/8 Npt.
43	4939M	Retainer Spring	108	71070510	Hex Hd. Cap Screw 5/16 x 5/8
44	109413X	Grip - Handle	109	13290300	Pipe Plug
45	105723X	Plunger - Lever, Hand	110	17490620	Screw - Hex Washer Hd. Thd. Rolling 3/8 - 16 x 1 - 1/4
46	2876H	Spring	111	10040600	Lockwasher 3/8
47	104597X	Lever Assembly, Hand Kit (Inc. Key No's. 45, 46 and 2 each 74)	112	20685X	Strap - Engine Torque, Rear
48	104799X	Brace - Tank	113	20651X	Spacer - Engine Torque, Front
49	100734K	Handle - Adjust. Lift	114	106342X	Spacer - Iso-Mount
51	104915X	Strip - Foam 14.5"	115	19131316	Washer 13/32 x 13/16 x 16 Ga.
52	101326L	Deflector - Muffler	116	673A223	Spark Arrestor Kit

NOTE: All component dimensions given in U.S. inches - 1 inch = 25.4 mm

REPAIR PARTS

DRIVE GROUP

ROPER LAWN TRACTOR--MODEL NUMBER LT120BF AND LT120BE

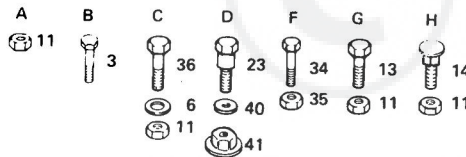


DRIVE GROUP

ROPER LAWN TRACTOR--MODEL NUMBER LT120BF AND LT120BE

KEY NO.	PART NO.	DESCRIPTION
1	109070X	Keeper - Belt
2	108236X	Bracket - Switch
3	17021008	Screw - Tap. Hex Hd, 10 - 24 x 1/2
4	105730X	Keeper - Belt, Engine
5	120302X	V-Belt, Drive
6	19131312	Washer 13/32 x 13/16 x 12 Ga.
7	105864X	Bracket - Suspension
8	106444X	Bracket - Bellcrank
9	108451X	Rod Assembly - Clutch Primary
11	73680600	Nut - Crownlock 3/8 - 16
12	109728X	Bellcrank Assembly
13	74760612	Bolt - Hex 3/8 - 16 x 3/4
14	72140606	Bolt - Rd, Hd, Sq, Neck 3/8 - 16 x 3/4
15	19171516	Washer 17/32 x 15/16 x 16 Ga.
16	105863X	Arm Assembly - Suspension - L.H.
17	9135R	Retainer - Spring
18	4859J	Idler - Flat
19	73220800	Nut - Hex 1/2 - 13
20	106308X	Trunnion - Lift Lower
22	105862X	Arm Assembly - Suspension - R.H.
23	105848X	Bolt - Shoulder 3/8 - 16
24	105731X	Pulley - Engine
25	74770728	Bolt - Hex 7/16 - 20 x 1 - 3/4
26	10040700	Washer - Lock 7/16
27	74760644	Bolt - Hex 3/8 - 16 x 2 - 3/4
28	4470J	Spacer
29	106190X	Clamp
30	109370X	Strap - Locator
31	109368X	Keeper, Belt, L.H.
32	109369X	Keeper, Belt, R.H.
33	4921H	Spring - Retainer
34	74760512	Bolt, Hex 5/16 - 18 x 3/4
35	73680500	Nut, Lock 5/16 - 18
36	74760616	Bolt - Hex 3/8 - 16 x 1
37	76020412	Pin - Cotter 1/8 x 3/4
38	19131410	Washer 13/32 x 7/8 x 10 Ga.
39	5320R	Clip - Insulated
40	110739X	Washer - Spring
41	73980600	Nut - Flangelock 3/8
42	6404J	Spacer 1/2 X 9/16

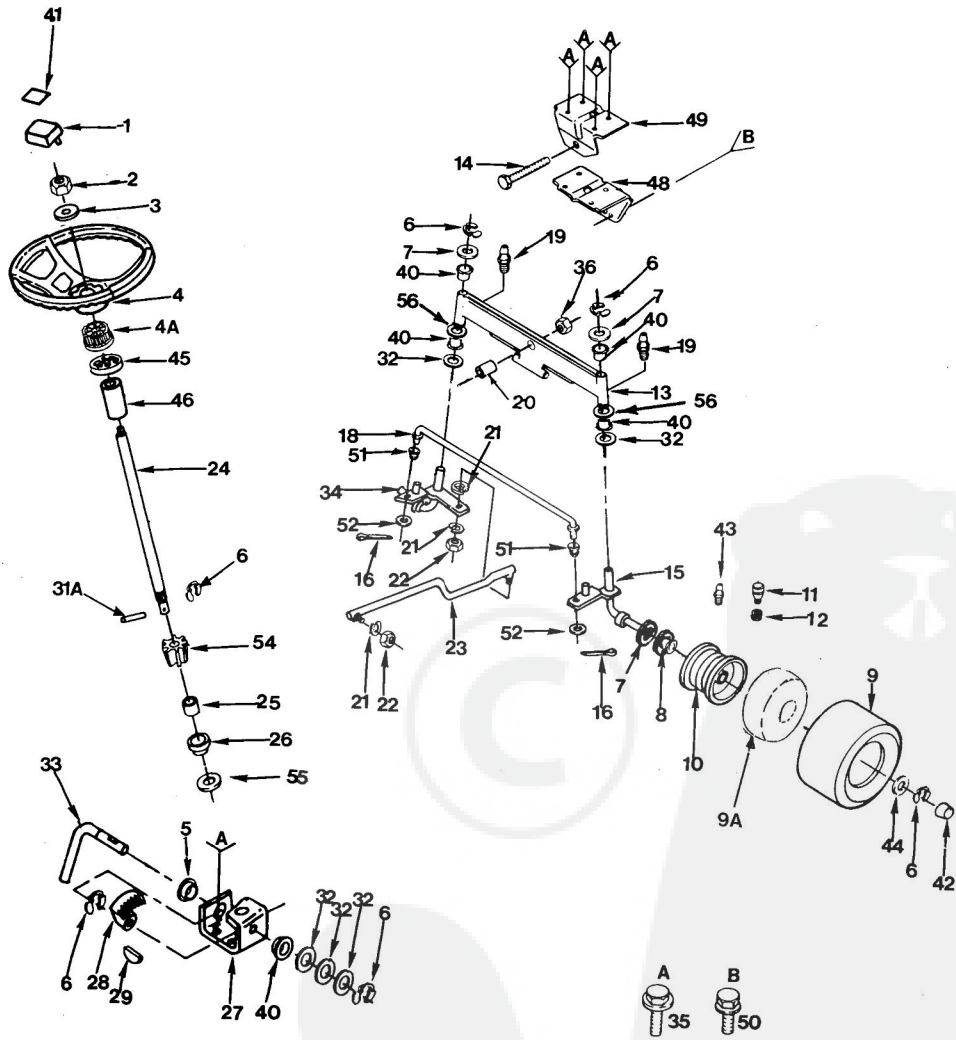
NOTE: All component dimensions given
in U. S. inches - 1 inch = 25.4 mm



REPAIR PARTS

ROPER LAWN TRACTOR--MODEL NUMBER LT120BF AND LT120BE

STEERING, FRONT AXLE AND WHEELS



ROPER LAWN TRACTOR--MODEL NUMBER LT120BF AND LT120BE

STEERING, FRONT AXLE AND WHEELS

NOTE: All component dimensions given
in U.S. inches - 1 inch = 25.4 mm

KEY	PART NO.	DESCRIPTION
1	100710L	Insert - Steering Wheel
2	73940800	Nut, Hex Jam Toplock 1/2 - 20
3	100712K	Washer 17/32 x 2 - 1/4 x .160
4	100713N	Steering Wheel 13"
4A	100711L	Adapter - Wheel, Steering
5	109816X	Nyliner - Snap-In
6	12000029	Klipring
7	19252016	Washer 25/32 x 1 - 1/4 x 16 Ga.
8	9040H	Bearings - Wheel, Front
9	106222X	Tire - 15 6.00 - 6 (Tubeless)
9A	59904	Tube - Tire (not furnished with Tractor)
10	106732X	Rim Assembly - 6" Front (Inc. 2 each Key No.8)
11	65139	Stern - Valve
12	59192	Cap - Valve
13	108075X	Axle Assembly - Front
14	74761060	Bolt - Hex 5/8 - 11 x 3 - 3/4
15	105654X	Spindle Assembly - R.H.
16	76020412	Pin - Cotter 1/8 x 3/4
18	105715X	Tie Rod
19	6855M	Fitting - Grease
20	110438X	Bearing
21	10040600	Lockwasher 3/8
22	73610600	Nut - Hex 3/8 - 24
23	105727X	Drag Link
24	109556X	Shaft - Steering
25	74580	Spacer
26	71208	Bushing - Steering Rod
27	109432X	Bracket Assembly - Steering
28	108684X	Gear - Sector
29	106126X	Woodruff Key 3/16 x 3/4
31A	2882J	Drive Pin 3/16 x 1
32	6266H	Hardened Washer (1 - 3 as required)
33	108683X	Rod - Steering
34	105656X	Spindle Assembly - L.H.
35	17490612	Screw - Hex Washer Hd. Thread Forming Type TT 3/8 - 16 x 3/4
36	73901000	Nut - Lock Flange, 5/8 - 11
40	3366R	Bearing
41	104590X	Decal - Steering Wheel
42	104757X	Cap - Hub, Front
43	278H	Grease Fitting
44	19252616	Washer 25/32 x 1 - 5/8 x 16 Ga.
45	106943X	Spacer - Shaft, Steering
46	106944X	Tube - Shaft, Steering
48	120648X	Support - Saddle, Front
49	120649X	Support - Saddle, Rear
50	17490508	Screw - Hex Washer Thd. Rolling 5/16 - 18 x 1/2
51	120382 X	Bushing
52	19131416	Washer 13/32 x 7/8 x 16 Ga.
54	108685X	Gear - Pinion
55	101930X	Washer - Hardened
56	19272016	Washer - 27/32 x 1 - 1/4 x 16 Ga.

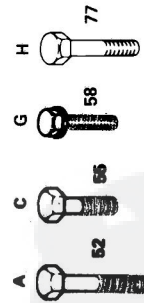
REPAIR PARTS

TRANSAXLE AND REAR WHEEL

ROPER LAWN TRACTOR--MODEL NUMBER LT120BF AND LT120BE

NOTE: All component dimensions given
in U.S. inches - 1 Inch = 25.4 mm

KEY NO.	PART NO.	DESCRIPTION	KEY NO.	PART NO.	DESCRIPTION
1	106108X	Rim Assembly - 8" Rear	30	105842X	Strap - Torque
2	106268X	Tire - 18 x 9.50 - 8 (Tubeless)	31	73350600	Nut - Hex Jam 3/8 - 16
2A	7152J	Tube - Tire (not furnished with Tractor)	32	109167X	Bracket - Transaxle
3	109502X	Spacer - Split	34	12000028	Ring - Klip
4	2703J	Key - Square 3/16 x 2	35	19252016	Washer 25/32 x 1 - 1/4 x 16 Ga. (2 to 4 as required)
5	4150-59	Transaxle Foot, 5 Speed, (see pages 36 and 37 for parts breakdown).	36	2228M	Woodruff Key 3/16 x 3/4
6	10040400	Washer - Lock 1/4	37	105703X	Pulley - Input
7	19091210	Washer - 9/32 x 3/4 x 10 Ga.	38	59192	Cap - Valve
8	106933X	Knob - Control	39	65139	Stem - Valve
9	76020412	Cotter Pin 1/8 x 3/4	41	12000001	E-Ring
10	106919X	Plate - Rod, Shift	52	74780644	Bolt - Hex 3/8 - 16 x 2 - 3/4
11	105699X	Rod - Shifter	53	73680600	Nut - Crownlock, 3/8 - 16
12	105700X	Spring - Torsion	55	74760612	Bolt - Hex 3/8 - 16 x 3/4
13	19151216	Washer 15/32 x 3/4 x 16 Ga.	58	17490512	Screw Hex Washer Hd, Thd. Form, Type TT 5/16 - 18 UNC x 3/4
14	76020416	Pin, Cotter 1/8 x 1	74	104757X	Cap - Hub, Rear
15	105701X	Washer - Shift Plate	76	19252616	Washer 25/32 x 1 - 5/8 x 16 Ga.
16	71040412	Bolt - Hex 1/4 - 28 x 3/4 Gr. 8	77	74760616	Bolt - Hex 3/8 - 16 x 1
20	106888X	Spring - Rod, Brake	78	110422X	Spring Brake
21	110437X	Rod - Brake	79	2751R	Clip - Fuel Line
22	19131316	Washer 13/32 x 13/16 x 16 Ga.			
23	106157X	Plate - Strap, Torque			

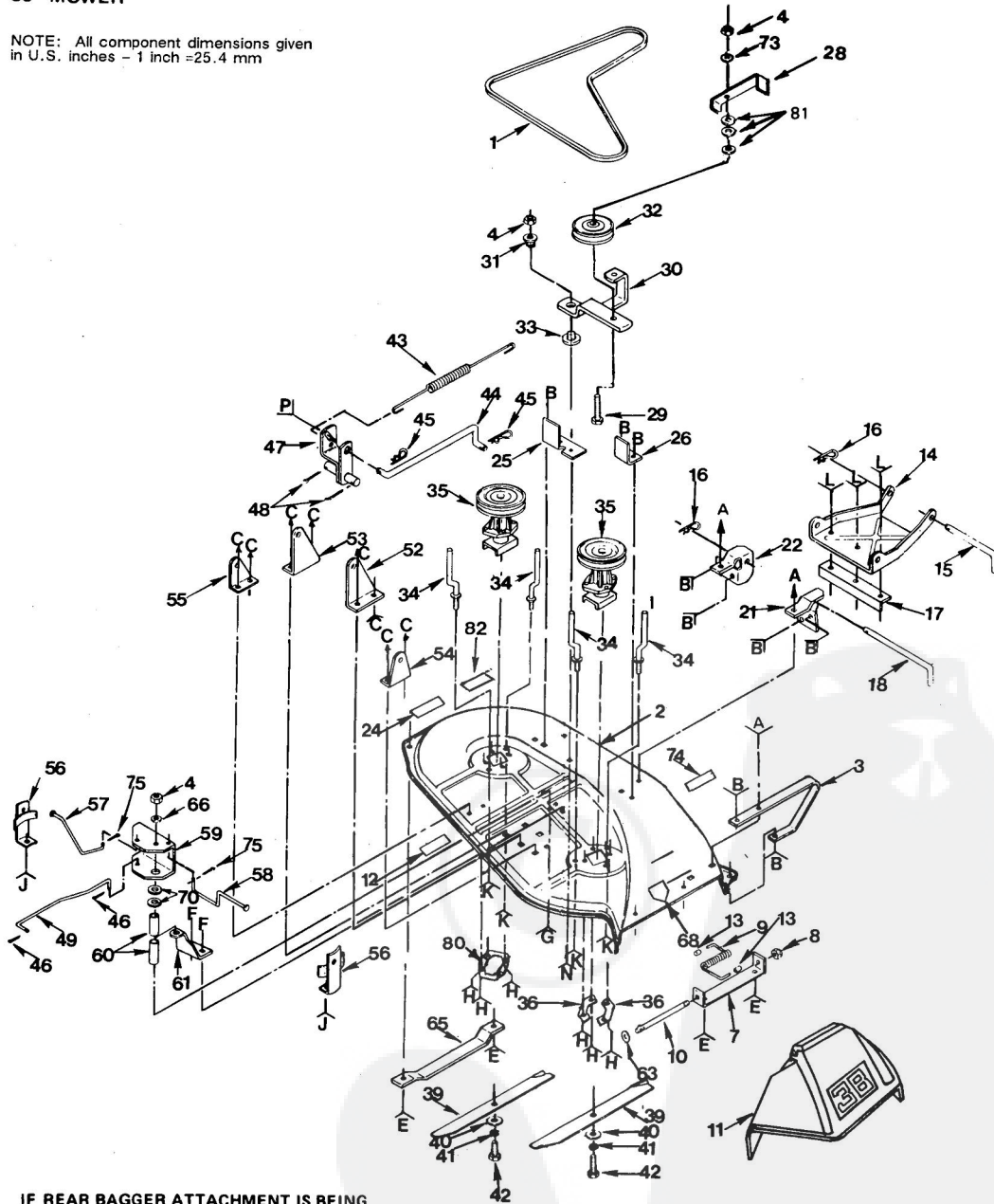


REPAIR PARTS

ROPER LAWN TRACTOR--MODEL NUMBER LT120BF AND LT120BE

38" MOWER

NOTE: All component dimensions given
in U.S. inches - 1 inch = 25.4 mm



IF REAR BAGGER ATTACHMENT IS BEING
USED, REFER TO REAR BAGGER OWNERS
MANUAL FOR BLADE PART NO.

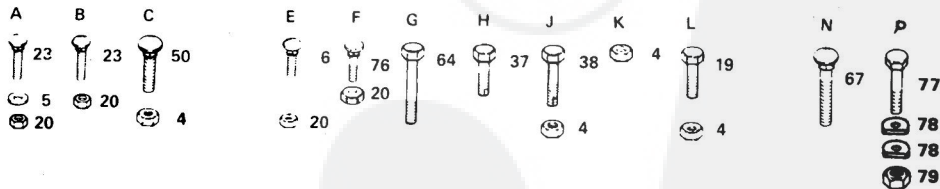
REPAIR PARTS

38" MOWER

ROPER LAWN TRACTOR--MODEL NUMBER LT120BF AND LT120BE

NOTE: All component dimensions given
in U.S. inches - 1 inch =25.4 mm

KEY NO.	PART NO.	DESCRIPTION	KEY NO.	PART NO.	DESCRIPTION
1	106085X	V-Belt	44	108235X	Rod - Clutch, Mower
2	105689X	Housing	45	4921H	Spring - Retainer
3	8417J	Runner R.H.	46	76020312	Pin - cotter, 3/32 x 3/4
4	73680600	Nut, Lock, 3/8 - 16	47	109892X	Rock Shaft Assembly
5	19111216	Washer, 11/32 x 3/4 x 16 Ga.	48	76020616	Pin, Cotter, 3/16 x 1
6	72140505	Bolt, Carr., 5/16 - 18 x 5/8	49	108247X	Rod, Brake, Primary
7	105896X	Bracket, Deflector	50	74140606	Bolt, Carriage 3/8 - 16 x 3/4
8	110452X	Push nut	52	108243X	Bracket, Pivot, R.H.
9	106734X	Spring, Deflector	53	108241X	Bracket, Pivot, L.H.
10	106735X	Rod - Hinge	54	105857X	Bracket, Susp., Rear, R.H.
11	106736X	Deflector - Shield	55	108673X	Bracket, Susp., Rear, L.H.
12	105814X	Decal, V-Belt	56	106578X	Brake Assembly
13	105304X	Cap	57	106463X	Rod, Brake, Secondary, L.H.
14	105662X	Link, Parallel	58	108249X	Rod, Brake, Secondary, R.H.
15	105744X	Pin - Hinge, Front	59	106456X	Bracket Brake, Pivot
16	4921H	Spring - Retainer	60	100672K	Spacer, Brake
17	105872X	Stop, Link	61	111173L	Bracket, Support
18	105743X	Pin - Hinge, Rear	63	1111016	Washer, 11/32 x 5/8 x 16 Ga.
19	74760612	Bolt, 3/8 - 16 x 3/4	64	74760684	Bolt, 3/8 - 16 x 5 - 1/4
20	73680500	Nut, Lock 5/16 - 18	65	7631J	Runner, L.H.
21	109598X	Bracket, Lift, R.H.	66	19131614	Washer, 13/32 x 1 x 14 Ga.
22	109597X	Bracket, Lift, L.H.	67	72140610	Bolt, Carr. 3/8 - 16 x 1 - 1/4
23	72140506	Bolt, Carriage 5/16 - 18 x 3/4	68	120785X	Decal, Warning (LT120BE only)
24	120787X	Decal, Instruction - Caution (LT120BE only)	68	107339X	Decal, Warning (LT120BF only)
24	109820X	Decal, Instruction - Caution (LT120BF only)	70	19131316	Washer, 13/32 x 13/16 x 16 Ga.
25	109503X	Support, Arm	73	19132012	Washer, 13/32 x 1 - 1/4 x 12 Ga.
26	109504X	Stop, Deck, Front	74	120786X	Decal, Warning (LT120BE only)
28	106461X	Guide, Belt	74	109819X	Decal, Warning (LT120BF only)
29	74760636	Bolt 3/8 - 16 x 2 - 1/4	75	76020308	Pin Cotter, 3/32 x 1/2
30	108832X	Arm, Idler Assembly	76	72110506	Bolt Carriage, 5/16 - 18 x 3/4
31	106902X	Spacer	77	74760412	Bolt - Hex 1/4 - 20 x 3/4
32	102403X	Pulley, Idler	78	109893X	Washer - Special
33	106513X	Washer, Wear, 1 1/16	79	73680400	Nut - Lock 1/4 - 20
34	102669X	Keeper, Belt	80	110445X	Plate Support L.H.
35	105891X	Mandrel Assembly	81	19131407	Washer, 13/32 x 7/8 x 7 Ga.
36	100668L	Plate, Support, Mandrel	82	120911X	Decal, Warning, German (LT120BE only)
37	17490612	Screw, Hex Washer Hd, 3/8 - 16 x 3/4			
38	17490620	Screw, Hex Washer Hd, 3/8 - 16 x 1 - 1/4			
39	120650X	Blade, 38"			
40	19132012	Washer 13/32 x 1 - 1/4 x 12 Ga.			
41	10030600	Washer, Lock, 3/8			
42	74610624	Bolt, Hex 3/8 - 24 x 1 - 1/2 Gr.5			
43	108250X	Spring, Ext.			

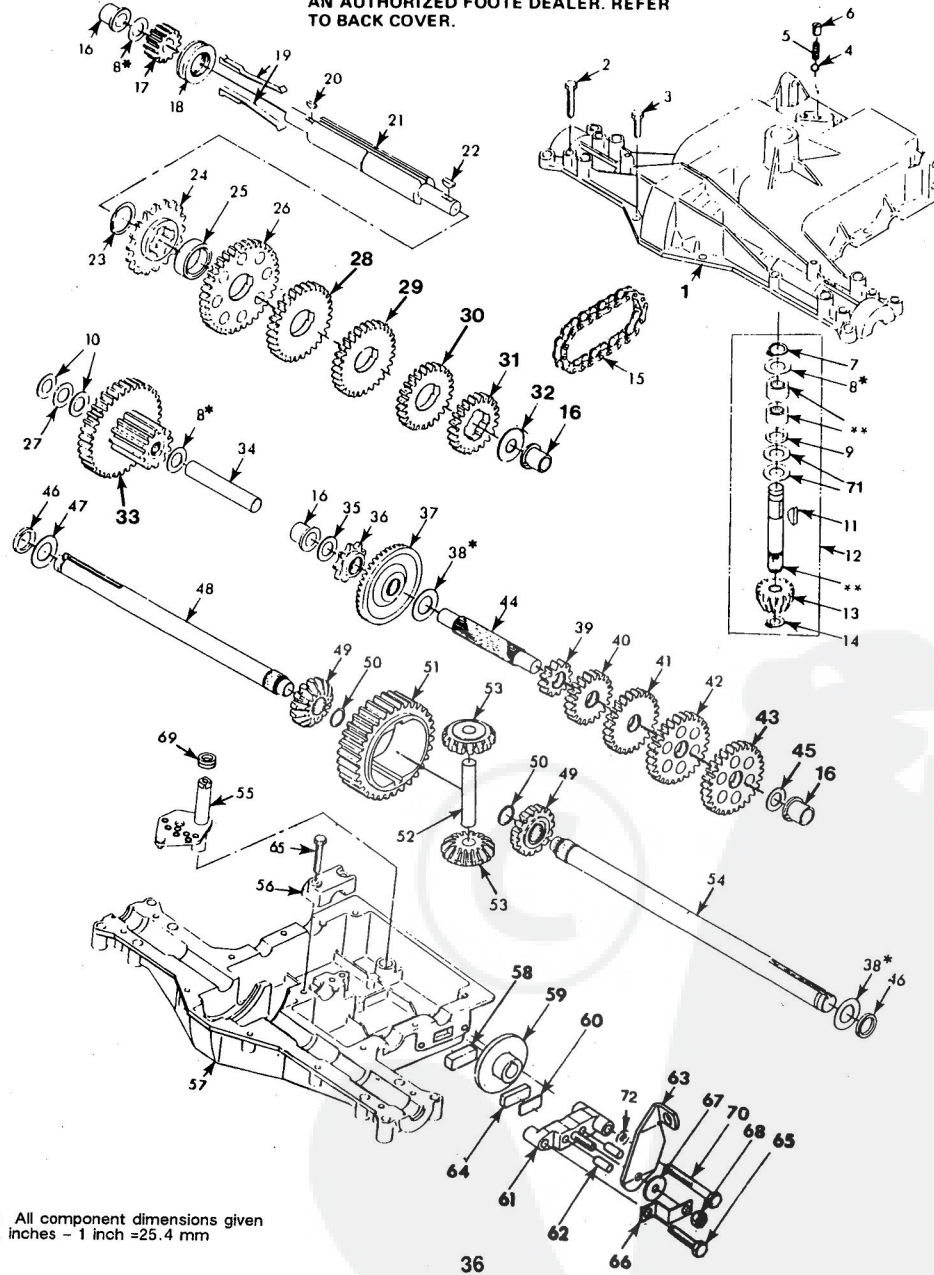


REPAIR PARTS

**ROPER LAWN TRACTOR--MODEL NUMBER LT120BF AND LT120BE
TRANSAXLE FOOTE -- MODEL NUMBER 4150-59**

TRANSAXLE

ALL REPAIRS MUST BE PERFORMED BY
AN AUTHORIZED FOOTE DEALER. REFER
TO BACK COVER.



NOTE: All component dimensions given
in U.S. inches - 1 inch = 25.4 mm

REPAIR PARTS

ROPER LAWN TRACTOR--MODEL NUMBER LT120BF AND LT120BE TRANSAXLE FOOTE--MODEL NUMBER 4150-59

NOTE: All component dimensions given
in U.S. inches - 1 inch =25.4 mm

TRANSAXLE

KEY NO.	PART NO.	DESCRIPTION	KEY NO.	PART NO.	DESCRIPTION
1	3655-B	Housing, Upper	38	3653	* Washer, Plain, .758 x 1.12 x .025
2	1360	Screw, Tapping, 1/4-20 x 1.31 Lg.	38	3408	* Washer, Plain, .758 x 1.25 x .020
3	3396	Screw, Tapping, 1/4-20 x .875 Lg.	38	3732	* Washer, Plain, .758 x 1.25 x .025
4	1151	Ball, Detent	38	3184	* Washer, Plain, .758 x 1.25 x .031
5	3626	Spring, Detent	38	3733	* Washer, Plain, .758 x 1.25 x .035
6	3623	Screw, Set	38	3198	* Washer, Plain, .758 x 1.25 x .040
7	1099	Ring, Retaining	38	3734	* Washer, Plain, .758 x 1.25 x .045
8	1441	* Washer, Plain, .632 x 1.00 x .020	38	3735	* Washer, Plain, .758 x 1.25 x .050
8	1423	* Washer, Plain, .632 x 1.00 x .026	38	3736	* Washer, Plain, .758 x 1.25 x .055
8	1082	* Washer, Plain, .632 x 1.00 x .031	38	3180	* Washer, Plain, .758 x 1.25 x .062
8	1424	* Washer, Plain, .632 x 1.00 x .036	39	3646	Gear, Spur, 12T
8	1068	* Washer, Plain, .632 x 1.00 x .041	40	3866	Gear, Spur, 20T
8	1425	* Washer, Plain, .632 x 1.00 x .046	41	3719	Gear, Spur, 25T
8	1358	* Washer, Plain, .632 x 1.00 x .050	42	3868	Gear, Spur, 28T
8	1145	* Washer, Plain, .632 x 1.00 x .060	43	3683	Gear, Spur, 31T
8	1319	* Washer, Plain, .632 x 1.00 x .082	44	3657	Shaft, Drive
9	3312	O-Ring	45	1145	Washer, Plain, .632 x 1.00 x .060
10	1425	Washer, Plain, .632 x 1.00 x .046	46	3191	Seal, Felt
11	1374	Key, Woodruff, #9	47	3184	Washer, Plain, .758 x 1.25 x .031
12	4134	Ass'y., Kit, Input Shaft	48	3846	Axle, L.H.
13	3590	Pinion, Bevel, 14T	49	3780	Gear, Miter, 15T
14	3624	Ring, Retaining	50	3656	Ring, Retaining
15	3625	Chain, 24 Pitches	51	3839	Gear, Spur, 32T
16	1542	Bearing, Flange	52	3919	Shaft, Cross
17	3773	Gear, Spur, 14T	53	3781	Gear, Miter, 15T
18	3631	Collar, Clutch	54	3845	Axle, R.H.
19	3676	Key, Clutch	55	4192	Ass'y., Shifter
20	1369	Key, Woodruff, #3	56	3775	Cap, Support
21	3663	Shaft, Intermediate	57	3654-B	Housing, Lower
22	1375	Key, Woodruff, #61	58	3914	Puck, Friction
23	3627	Ring, Retaining	59	3276	Disc, Brake
24	3640	Sprocket, 18T	60	3758	Spacer
25	3841	Spacer	61	3916	Jaw, Brake
26	3786	Gear, Spur, 37T	62	3843	Pin, Dowel
27	3422	Spacer, .630 x 1.00 x .169	63	3768	Lever, Actuating
28	3867	Gear, Spur, 30T	64	3907	Puck, Friction
29	3783	Gear, Spur, 25T	65	3724	Screw, Tapping, 5/16 - 18 x 1.44 Lg.
30	3869	Gear, Spur, 22T	66	3917	Bracket, Anti-Rotation
31	3741	Gear, Spur, 19T	67	3760	Washer, Plain, .321 x 1.00 x .055
32	3628	Washer, Plain, .640 x 1.37 x .061	68	3847	Nut, Lock, 5/16 - 24
33	4286	Ass'y., Gear, Comb., 12T & 35T	69	3789	V-Ring
34	3918	Shaft, Idler	70	3915	Screw, Tapping, 5/16-18 x 2.25 Lg.
35	1959	Washer, Plain, .631 x 1.00 x .010	71	3876	Washer, Plain, .632 x 1.38 x .046
36	3645	Sprocket, 9T	72	3906	Washer, Plain, .340 x .81 x .060
37	3853	Gear, Bevel, 42T	73	4300	Grease
38	3749	* Washer, Plain, .758 x 1.12 x .010			
38	3652	* Washer, Plain, .758 x 1.12 x .015			
38	3693	* Washer, Plain, .758 x 1.12 x .020			

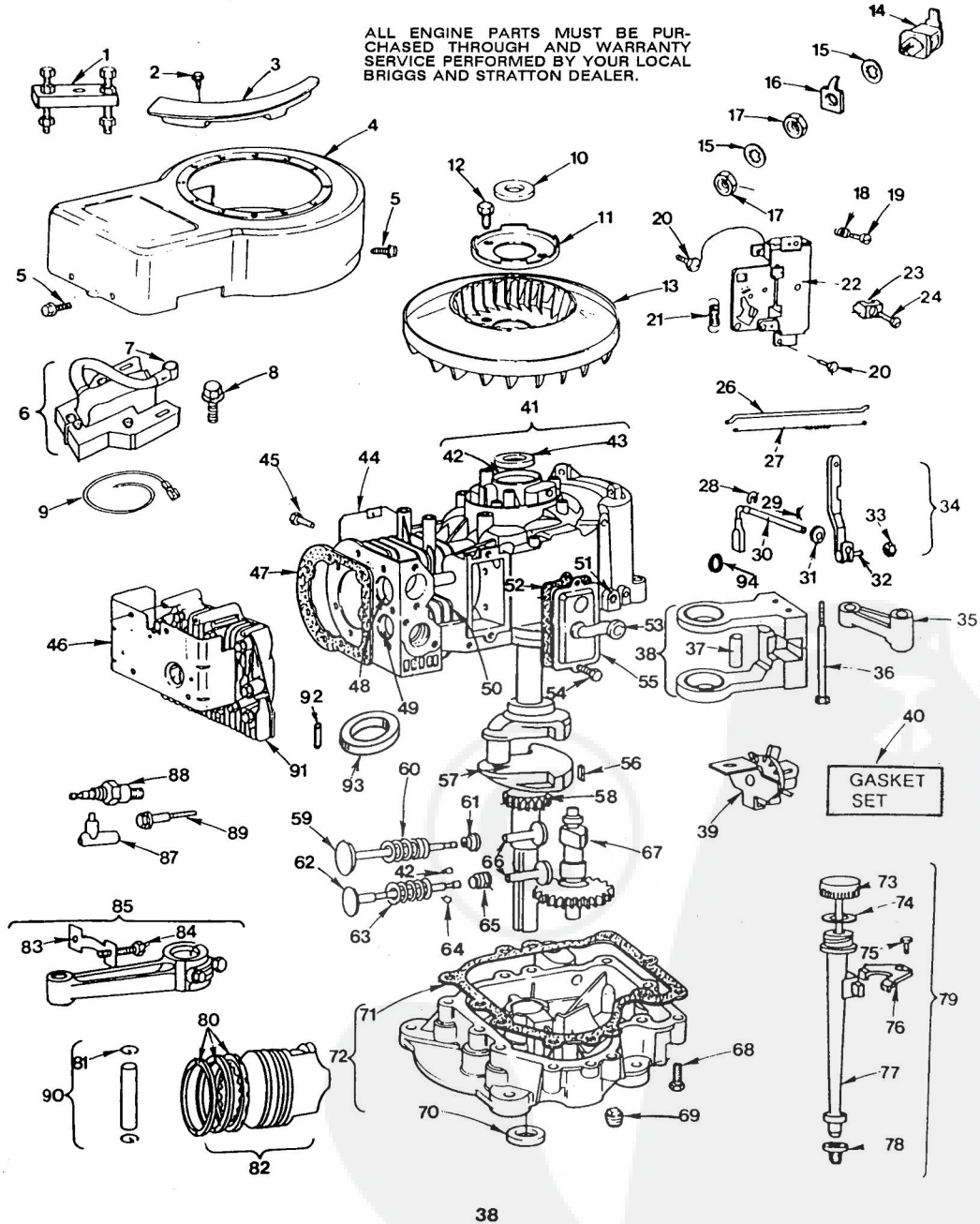
* USE IN VARIOUS COMBINATIONS TO MAINTAIN
PROPER CLEARANCE.

** NOT SOLD SEPARATELY--ORDER KEY NO. 12.

REPAIR PARTS

ROPER LAWN TRACTOR--MODEL NUMBER LT120BF AND LT120BE
ENGINE BRIGGS & STRATTON--MODEL NUMBER 281707, TYPE NUMBER 0133-01
CYLINDER BLOCK GROUP

ALL ENGINE PARTS MUST BE PURCHASED THROUGH AND WARRANTY SERVICE PERFORMED BY YOUR LOCAL BRIGGS AND STRATTON DEALER.



REPAIR PARTS

ROPER LAWN TRACTOR--MODEL NUMBER LT120BF AND LT120BE ENGINE BRIGGS & STRATTON--MODEL NUMBER 281707, TYPE NUMBER 0133-01

CYLINDER BLOCK GROUP

NOTE: All component dimensions given
in U.S. inches - 1 inch =25.4 mm

KEY NO.	PART NO.	DESCRIPTION	KEY NO.	PART NO.	DESCRIPTION
1	19203	Pulley - Flywheel	52	27803	* Gasket - Valve Cover
2	93705	Screw - Sem	53	280100	Tube - Breather
3	223752	Guard - Flywheel	54	93394	Screw - Sem
4	490689	Housing - Blower	55	391406	Breather Assy
5	93158	Screw - Blower Housing Mtg. Sem	56	222698	Key - Flywheel
6	398811	Armature - Magneto (Inc. Key No. 7)	57	490466	Crankshaft (NOTE: Order Part No. 94196 for Timing Gear Key)
7	221798	Terminal - Ignition Cable	58	262135	Gear - Timing
8	93381	Screw - Armature Mounting Sem	59	262247	Valve - Intake
9	398808	Wire - Ground	60	65906	Spring - Intake Valve
10	231531	Spacer - Clutch	61	221596	Retainer - Intake Valves
11	223726	Retainer - Fan	62	262246	Valve - Exhaust
12	93535	Screw - Sem	63	26828	Spring - Exhaust Valve
13	280687	Fan - Flywheel	64	93630	Retainer - Exhaust Valve Rotocoil
14	398525	Insulator Assembly	65	292260	Rotocoil - Exhaust Valve
15	92791	Washer - Lock, Shakeproof	66	262248	Tappet - Valve
16	93722	Terminal - Spade	67	212897	Gear - Cam
17	90576	Nut - Hex 8-32	68	94305	Screw - Base Mtg. Sem
18	26157	Spring - Throttle Adjustment	69	91081	Plug - Oil Drain
19	90200	Screw - Machine Fill. Hd. 8-32 x 1/2"	70	291f	Seal - Oil
20	93572	Screw	71	271916	* Gasket - Crankcase Cover 1/64" thick
21	260695	Spring - Governor	71	271996	* Gasket - Crankcase Cover .005" thick
22	390784	Plate - Governor Control	71	271997	* Gasket - Crankcase Cover .009" thick
23	221535	Clamp - Casing	72	490452	Base - Engine (Inc. Key No.'s 70 & 71)
24	93496	Screw - Sem	73	490327	Cap and Dipstick - Oil Filler
26	262348	Link - Governor	74	270920	Seal - Oil Filler Cap
27	260584	Spring - Governor Link	75	93804	Screw - Clamp Mtg.
28	93307	Retainer - E-Ring	76	223721	Clamp - Oil Filler Tube
29	93306	Cotter - Hair Pin	77	280741	Tube - Oil Filler
30	231058	Crank - Governor	78	68838	Seal - Filler Tube
31	222450	Washer - Governor Crank	79	490474	Fill Group - Oil (Inc. Key No.'s 73, 74, 75, 76, 77, & 78)
32	92613	Bolt - Governor lever	80	394665	Ring Set - Piston - Std.
33	231082	Nut - Hex 10-24	80	391781	Ring Set - Piston - .010" O.S.
34	490927	Lever Assy - Governor (Inc. Key No.'s 32 & 33) (For 1/4" Dia. Crank)	80	391782	Ring Set - Piston - .020" O.S.
35	212359	Link - Counterweight	80	391783	Ring Set - Piston - .030" O.S.
36	93875	Screw - Counterweight	81	260924	Lock - Piston Pin
37	298909	Pin - Counterweight	82	394661	Piston Assy - Std. (Inc. Key No.'s 80 & 81)
38	399891	Counterweight Assy (Inc. Key No. 37)	82	394662	Piston Assy - .010" O.S.
39	490815	Oil Slinger, Governor Gear and Bracket Assy	82	394663	Piston Assy - .020" O.S.
40	490525	Gasket Set	82	394664	Piston Assy - .030" O.S.
41	490450	Cylinder Assy (Inc. Key No.'s 42 & 43)	83	222299	Lock - Connecting Rod Screw
42	261623	+Bearing - Cylinder	84	92909	Screw - Connecting Rod
43	391086	Seal - Oil	85	490348	Rod Assy - Connecting (Inc. Key No.'s 83 & 84) (For Connecting Rod with .020" Undersize Crank Pinbore Order No. 490469)
44	223715	Shield - Cylinder	87	66538	Elbow - Spark Plug
45	93163	Screw - Cylinder Shield Mtg Sem	88	293918	Plug - Spark
46	223718	Cover - Cylinder Head	89	93723	Screw - Cylinder Head
47	271866	Gasket - Cylinder Head	90	299691	Pin Assy - Piston - Std. (Inc. Key No. 81)
48	261463	+Seat - Intake Valve	90	391286	Pin Assy - Piston - .005" O.S.
49	210940	+Seat - Exhaust Valve	91	213181	Head - Cylinder
50	261961	+Guide - Exhaust Valve	92	94160	Pin - Eccentric
51	231055	NOTE: 231218 Guide - Intake Valve (Brass) Bushing - Governor Crank	93	262243	Eccentric
			94	491323	Seal - Oil

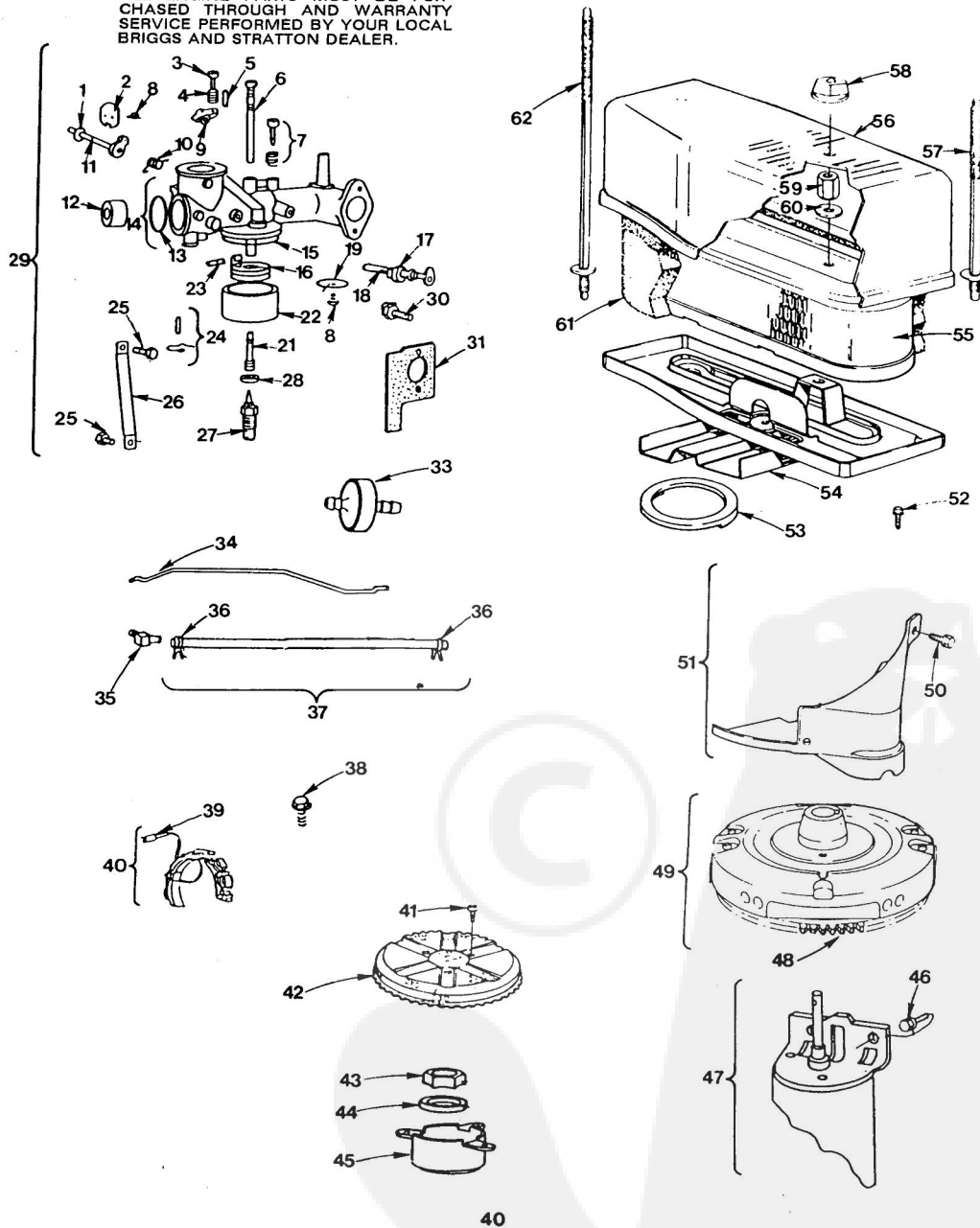
*Special Tools Required to Install
*Included in Gasket Set - Part No. 393411

REPAIR PARTS

ROPER LAWN TRACTOR--MODEL NUMBER LT120BF AND LT120BE
ENGINE BRIGGS & STRATTON--MODEL NUMBER 281707, TYPE NUMBER 0133-01

CARBURETOR

ALL ENGINE PARTS MUST BE PURCHASED THROUGH AND WARRANTY SERVICE PERFORMED BY YOUR LOCAL BRIGGS AND STRATTON DEALER.



REPAIR PARTS

**ROPER LAWN TRACTOR--MODEL NUMBER LT120BF AND LT120BE
ENGINE BRIGGS & STRATTON--MODEL NUMBER 281707, TYPE NUMBER 0133-01**

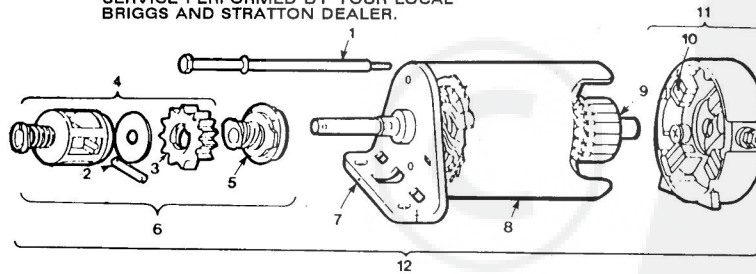
CARBURETOR

KEY NO	PART NO	DESCRIPTION	KEY NO	PART NO	DESCRIPTION
1	270382	Washer Choke Shaft	31	270872	*Gasket - Carburetor Mounting
2	222010	Valve Choke	33	298090	Filter - Fuel
3	91920	Screw Machine, Fill. Hd 8 32 - 5/8"	34	261610	Link - Choke
4	26157	Spring Throttle Adjustment	35	67218	Connector - Fuel Pipe
5	93043	Pin - Throttle Shop	36	93053	Clamp - Fuel Pipe
6	299740	+Nozzle - Carburetor	37	393815	Line - Fuel (Inc. Key No. 36)
7	292681	+Valve Assy - Carburetor Idle	38	93621	Screw - Sem
8	93499	Screw Throttle and Choke Valve Mtg. Sem	39	393814	Diode and Connector Assy
9	211712	Stop Throttle	40	391529	Stator Assembly - Alternator (Inc. Key No. 39)
10	261116	Spring - Choke Return	41	93805	Screw - Sem
11	390684	Shaft and Lever - Choke	42	223713	Screen - Flush Rotating
12	211960	Venturi - Carburetor	43	92284	Nut - Hex
13	221997	Plug Welch	44	220865	Washer - Spring
14	490473	Body Assy Carburetor (Inc. Key No. 13)	45	222561	Cup - Screen Mounting
15	270511	Gasket - Float Bowl	46	93535	Screw - Sem
16	299707	Float - Carburetor	47	490420	Motor & Drive Assy (Inc. Key No. 46)
17	398970	Seal - Throttle Shaft	48	392134	Gear - Ring
18	491006	Shaft and Lever Throttle	49	399917	Flywheel and Ring Gear Assy - Magneto (Inc. Key No. 48)
19	222433	Valve Throttle	50	9398	Screw - Sem
21	231323	+Screw - Nozzle	51	490324	Cover - Starter (Inc. Key No. 50)
22	221995	Bowl - Float	52	94018	Screw - Sem
23	230896	+ Pin - Float Hinge	53	270853	Gasket - Air Cleaner
24	394681	+ Valve - Fuel Inlet	54	490332	Body - Air Cleaner
25	93572	Screw	55	399806	Cartridge - Air Cleaner
26	222311	Bracket - Carburetor	56	223700	Cover - Air Cleaner
27	396568	+Valve - Needle	57	94246	Stud - Air Cleaner
28	222014	+Washer - Float Bowl	58	212706	Knob - Air Cleaner
29	491031	Carburetor Assy (Inc. Key No.'s 1, 2, 3, 4, 5, 6, 7, 8, & 28)	59	231532	Nut - Air Cleaner Mtg.
30	93357	Screw Carburetor Mtg.	60	94249	Washer - Air Cleaner
			61	271962	Element - Air Cleaner
			62	94248	Stud - Air Cleaner
				394698	Carburetor Overhaul Kit

STARTER - MOTOR

ALL ENGINE PARTS MUST BE PURCHASED THROUGH AND WARRANTY SERVICE PERFORMED BY YOUR LOCAL BRIGGS AND STRATTON DEALER.

*Included in Carburetor Overhaul Kit - Part No. 394698
*Included in Gasket Set - Part No. 393411



KEY NO.	PART NO.	DESCRIPTION	KEY NO.	PART NO.	DESCRIPTION
1	94004	Thru Bolt Assembly	7	394857	End Cap Assembly Drive
2	94288	Roll Pin	8	394544	Housing Assy
3	280104	Gear	9	391160	Armature Assy
4	490467	Retainer Kit (Inc. Key No.'s 3, 4 & 6)	10	395538	Brush Assy
5	398003	Clutch Assembly	11	395537	End Cap Assy Commutator (Inc. Key No. 10)
6	490421	Drive Assembly (Inc. Key No.'s 2, 3, 4, & 5)	12	490420	Motor & Drive Assy (Inc. Key No.'s 1, 2, 3, 4, 5, 6, 7, 8, 9, 10 & 11)

NOTE: All component dimensions given in U.S. inches - 1 inch = 25.4 mm