

MASTER PARTS MANUAL

ROTARY MOWERS

RALLY LAWN TRACTORS

MODELS:

M1118AR
M6187AR
M6517BR
M6538AR

L0239AR
L1219AR
L8218AR
L8218BR
L8218CR

few {
K8327AR
K8327BR
K8327CR

LA049AR
LA058AR
LA068AR

new. Football Exchange.

*Jeune de lames 71285
Courvois traction 75794
" tondeuse 69828*

LAWN AND GARDEN
POWER EQUIPMENT

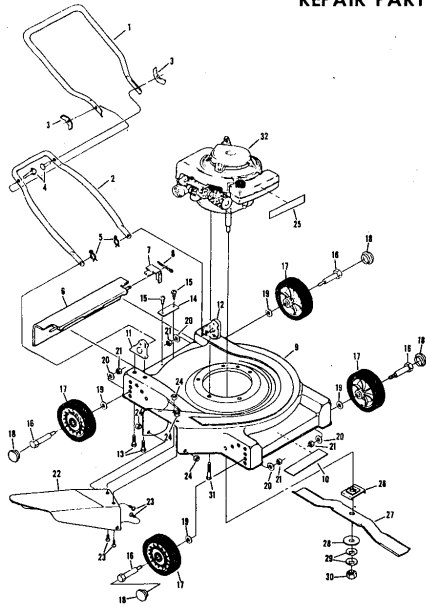
ROPER SALES CORP.

1905 WEST COURT STREET
KANKAKEE, ILLINOIS 60901

PRICE \$2.00
FEBRUARY 1, 1979

ROPER 20" 148 CC 3.5 H.P. ROTARY LAWN MOWER MODEL NUMBER M1118AR

REPAIR PARTS



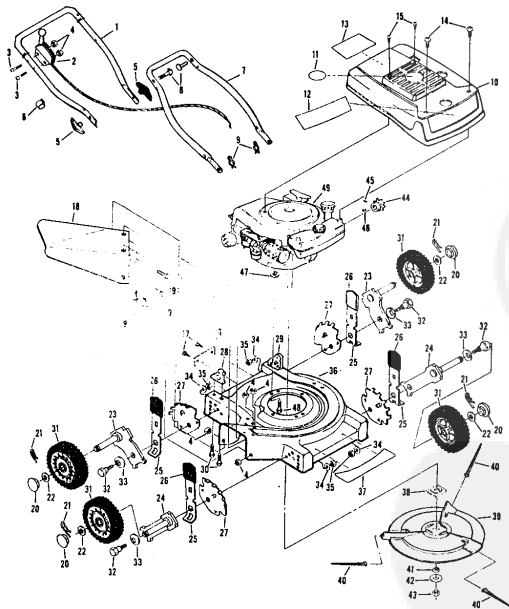
ROPER 20" 148 CC 3.5 H.P. ROTARY LAWN MOWER MODEL NUMBER M1118AR

REPAIR PARTS

Ref. No.	Part No.	Part Name	Ref. No.	Part No.	Part Name
1	64932	Handle - Upper	18	67360	Hub Cap (R.R.-L.R.-R.F.-L.F.)
2	62362	Handle - Lower	19	70080	Washer, Flat Steel .405-.860 X .250 (R.R.-L.R.-R.F.-L.F.)
3	67504	Wing Nut 5/16-18	20	54005	Washer, Flat Steel .405-.860 X .095 (R.R.-L.R.-R.F.-L.F.)
4	58714	Bolt, Handle 5/16-18 X 1 3/4	21	74400	Nut, Lock 3/8-16 (R.R.-L.R.-R.F.-L.F.)
5	51793	Hairpin Cutter - 3/4	22	67731	Discharge Guard
6	72502	Rear Skirt	23	69179	Screw, Machine #10-24 X 1/2
7	72393	Skirt Keeper	24	69100	Nut, Lock #10-24
8	63640	Cutter Pin - 3/4	25	75773	Decal - Fuel Tank
9	79262	Housing W/Silk Screening W/Decal (Incl. Ref. #10)	26	69226	Blade Flange Assembly
10	73221	Decal - Housing	27	69229	Blade
11	62886	Handle Bracket Assembly-Right	28	69385	Washer, Blade
12	62887	Handle Bracket Assembly-Left	29	54867	Washer, Spring (Ballville Type)
13	55187	Screw, Self-Tapping 5/16-18 X 3/4	30	51423	Nut, Nylon 5/8-18
14	75766	Number Plate	31	68205	Screw, Machine Hex Head W/Lock Washer 5/16-18 X 7/8
15	54562	Screw, Self-Tapping #10-24 X 3/8	32	75071	Engine-Model (LAV 25-40945L) (3.5 H.P.) (Tecumseh Products Company)
16	60838	Axle Bolt 3/8-16 (R.R.-L.R.-R.F.-L.F.)			Parts List - Owner's Manual
17	75071	Wheel and Tire Assembly-7" (R.R.-L.R.-R.F.-L.F.)	75768		

ROPER 20" WHIP STIK™ 164CC 4.0 H.P. POWER PROPELLED LAWN MOWER MODEL NUMBER M6187AR

REPAIR PARTS

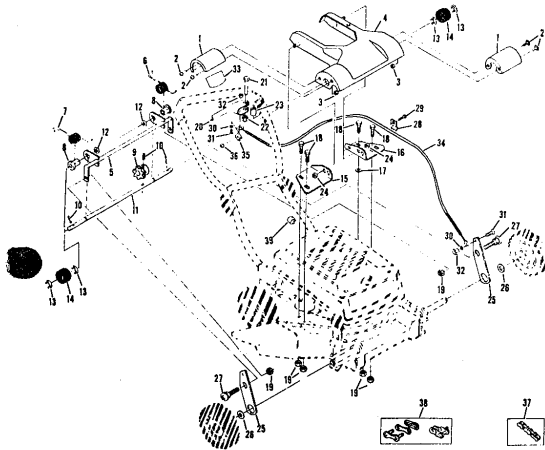


ROPER 20" WHIP STIK™ 164CC 4.0 H.P. POWER PROPELLED LAWN MOWER MODEL NUMBER M6187AR

Ref. No.	Part No.	Part Name	Ref. No.	Part No.	Part Name
1	75193	Handle - Upper	28	62886	Handle Bracket Assembly-Right
2	73445	Remote Control	29	62887	Handle Bracket Assembly-Left
3	69411	Screw, Machine Phillips #10-24 X 1 3/4	30	55187	Screw, Self-Tapping 5/16-18 X 3/4
4	69180	Nut, Lock #10-24	31	72425	Wheel and Tire Assembly-8" (R.R.-L.R.-R.F.-L.F.)
5	58715	Knob - Handle	32	64763	Bolt, Shoulder (Special) 3/8-16 (R.R.-L.R.-R.F.-L.F.)
6	38891	Cable Clip	33	62335	Washer, Belleville .500-1.10 X .082 (R.R.-L.R.-R.F.-L.F.)
7	62362	Handle - Lower	34	62333	Washer, Flat Steel .300-1.437 X .074 (R.R.-L.R.-R.F.-L.F.)
8	58714	Bolt, Handle 5/16-18 X 1 3/4	35	74400	Nut, Lock 3/8-16
9	51793	Hairpin Cutter - 3/4	36	79294	Housing W/Silk Screening W/Decal (Incl. Ref. #37)
10	79285	Engine Shroud Pack (Incl. Ref. #11,12,13)	37	75325	Decal - Housing
11	74779	Decal - Center	38	74654	Flange Assembly
12	73216	Decal - Shroud	39	74199	Pin Holder
13	74656	Decal - Engine Instruction	40	74334	Pin (Three required)
14	73322	Screw, Self-Tapping #8 X 3/4	41	74393	Spacer
15	68246	Screw, Self-Tapping 1/4-20 X 3/4	42	74456	Washer, Belleville .630-1.875 X .129
16	75215	Number Plate	43	51433	Nut, Nylon 5/8-18
17	54562	Screw, Self-Tapping #10-24 X 3/8	44	71851	Spracket 9 Tooth W/2 Set Screw (Incl. Ref. #45)
18	67731	Discharge Guard	45	52828	Set Screw 1/4-28 X 3/16
19	69179	Screw, Machine #10-24 X 1/2	46	52978	Key, Woodruff #5
20	67360	Hub Cap (R.R.-L.R.-R.F.-L.F.)	47	59289	Washer, Flat Steel .328-1 X .097 5/16-18 X 7/8
21	55015	Retainer Clip (R.R.-L.R.-R.F.-L.F.)	48	68205	Screw, Machine Hex Head 5/16-18 X 7/8
22	52160	Washer, Flat Steel .515-1 X .031 (R.R.-L.R.-R.F.-L.F.)	49		Engine-Model (LAV 40-5037SD) (4.0 H.P.) (Tecumseh Products Company)
23	69474	Axle Arm Assembly (R.R.-L.R.-L.F.)			Parts List - Owner's Manual
24	73632	Axle Arm Assembly (R.R.-L.R.-L.F.)			
25	70683	Selector Spring (R.R.-L.R.-R.F.-L.F.)			
26	70685	Selector Knob (R.R.-L.R.-R.F.-L.F.)			
27	69478	Wheel Adjusting Bracket (R.R.-L.R.-R.F.-L.F.)	75218		

ROPER 20" WHIP STIK™ 164CC 4.0 H.P. POWER PROPELLED LAWN MOWER MODEL NUMBER M6187AR

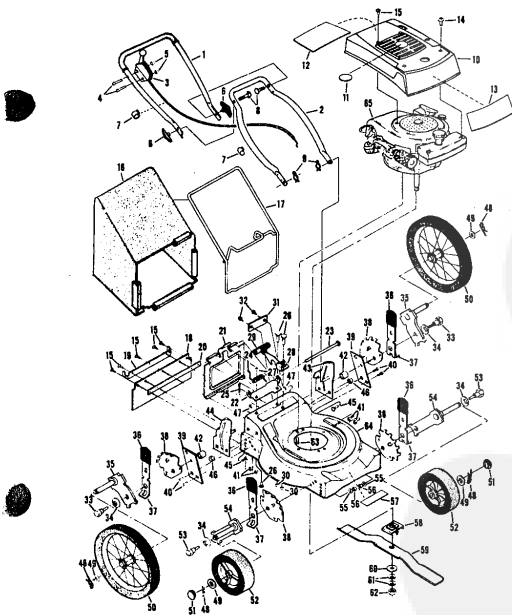
REPAIR PARTS



ROPER 20" WHIP STIK™ 164CC 4.0 H.P. POWER PROPELLED LAWN MOWER MODEL NUMBER M6187AR

Ref. No.	Part No.	Part Name	Ref. No.	Part No.	Part Name
1	73629	Drive Cover	22	72979	Nut, Shoulder (Special) 1/4-28
2	75136	Screw, Machine #10-24 X 1/2	23	73405	Spacer
3	53491	Nut, Lock #10-24	24	52365	E-Ring 3/8 Shaft
4	73787	Chain Cover Assembly	25	74162	Lower Link
5	73626	Yoke Assembly	26	74252	Washer, Flat Steel .531-1.187 X .148
6	73115	Spring - L.H.	27	73916	Bolt, Shoulder (Special) 1/4-20 X 3/4
7	73172	Spring - R.H.	28	73276	Retainer
8	73087	Bearing	29	55187	Screw, Self-Tapping 5/16-18 X 3/4
9	73696	Sprocket - 8 Tooth	30	74190	Spacer
10	52379	Spring Pin 3/16 X 1	31	57155	Screw, Machine #10-24 X 5/8
11	73628	Driven Shaft	32	69180	Nut, Lock #10-24
12	73928	Washer, Flat Steel .628-1.25 X .028	33	73442	Decal - Clutch
13	52364	E-Ring 5/8 Shaft	34	74158	Cable
14	67973	Driver	35	73755	Cable Clamp
15	75113	Pivot - R.H.	36	68662	Screw, Self-Tapping #10 X 7/8
16	75214	Pivot - L.H.	37	74787	Chain #65 (44 Pitch)
17	63128	Washer, Flat Steel .265-3/4 X .082	38	69472	Repair Link Kit (Incl. Offset and Connecting Link)
18	54395	Screw, Hex Head 1/4-20 X 5/8	39	58891	Cable Clip
19	74218	Nut, Lock 1/4-20			
20	74161	Lever			
21	72978	Bolt, Shoulder (Special) 1/4-28 X 1 5/8			

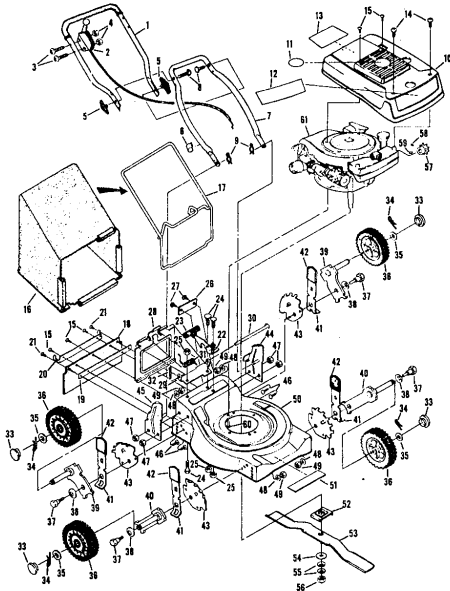
ROPER 20" HIGH WHEEL REAR BAGGER 4.0 H.P. ROTARY LAWN MOWER MODEL NUMBER M6517BR



ROPER 20" HIGH WHEEL REAR BAGGER 4.0 H.P. ROTARY LAWN MOWER MODEL NUMBER M6517BR

Ref. No.	Part No.	Part Name	Ref. No.	Part No.	Part Name
1	74478	Handle - Upper	37	70683	Selector Spring (R.F.-L.F.-R.R.-L.R.)
2	62262	Handle - Lower	38	69478	Wheel Adjusting Bracket (R.F.-L.F.-R.R.-L.R.)
3	73445	Remote Control	39	73712	Bracket Support (R.R.-L.R.)
4	69411	Screw, Machine Phillips #10-24 X 1 1/4	40	73403	Bolt, Hex Head 3/8-16 X 5/8 (R.R.-L.R.)
5	69180	Nut, Lock #10-24	41	51961	Nut, Lock 3/8-16 (R.R.-L.R.)
6	58715	Knob - Handle	42	73713	Spacer (R.R.-L.R.)
7	58891	Cable Clip	43	78992	Handle Bracket - L.H.
8	58714	Bolt, Handle 5/16-18 X 1 3/4	44	78991	Handle Bracket - R.H.
9	51792	Mainpin Cutter - 3/4	45	75156	Bolt, Carriage 5/16-18 X 1/2 (R.R.-L.R.)
10	79261	Engine Shroud Pack (Incl. Ref. #11, 12, 13)	46	74399	Nut, Lock 5/16 X 18
11	74640	Decal - Center	47	68478	Nut, Lock 5/16 X 18 (R.R.-L.R.)
12	74909	Decal - Engine Instruction	48	55015	Retainer Clip (R.R.-L.R.-R.F.-L.F.)
13	74960	Decal - Shroud	49	52160	Washer, Flat Steel .515-1 X .031 (R.R.-L.R.-R.F.-L.F.)
14	73322	Screw, Self-Tapping #8 X 3/4	50	73422	Wheel and Tire Assembly 14.00 X 1.75 (R.R.-L.R.)
15	68346	Screw, Self-Tapping 1/4-20 X 3/4	51	67360	Hub Cap
16	75363	Catcher Bag	52	75073	Wheel and Tire Assembly 8.00 X 1.75 (R.F.-L.F.)
17	72870	Catcher Frame	53	64763	Bolt, Shoulder 3/8-16 (Special) (R.F.-L.F.)
18	73874	Rear Skin	54	69474	Axle Arm Assembly (R.F.-L.F.)
19	73176	Catcher Support	55	62333	Washer, Flat Steel .300-.437 X .074 (R.F.-L.F.)
20	73061	Backing Strip	56	65543	Nut, Lock 3/8-16 (R.F.-L.F.)
21	72869	Rear Door	57	73221	Decal - Housing
22	72125	Hinge Bracket	58	69226	Blade Flange Assembly
23	73326	Hinge Rod	59	69229	Blade
24	72962	Spring	60	69385	Washer, Blade
25	65640	Cotter Pin - 5/64	61	54657	Washer, Spring (Bellville Type)
26	73383	Bolt, Carriage 1/4-20 X 5/8 (Special) (R.R.-L.R.)	62	51433	Nut, Nylok 5-18
27	65601	Nut, Lock 1/4-20	63	68205	Screw, Machine Hex Head W Lock Washer 5/16-18 X 7/8
28	72881	Catcher Latch (Incl. Ref. #29)	64	79258	Housing W/316 (With Decal) (Incl. Ref. #2)
29	68618	Knob	65		Engine-Model (LAV 40-50374D) (Tecumseh Products Co.) 4.0 H.P.
30	74218	Nut, Lock 1/4-20	75616		Parts List-Owner's Manual
31	75614	Number Plate			
32	54562	Screw, Self-Tapping #10-24 X 3/8			
33	73714	Bolt, Shoulder 5/16-18 (Special) (R.R.-L.R.)			
34	62335	Washer, Bellville .505-1.10 X .082 (R.R.-L.R.-R.F.-L.F.)			
35	73420	Axle Arm Assembly (R.R.-L.R.)			
36	70685	Knob-Selector (R.F.-L.F.-R.R.-L.R.)			

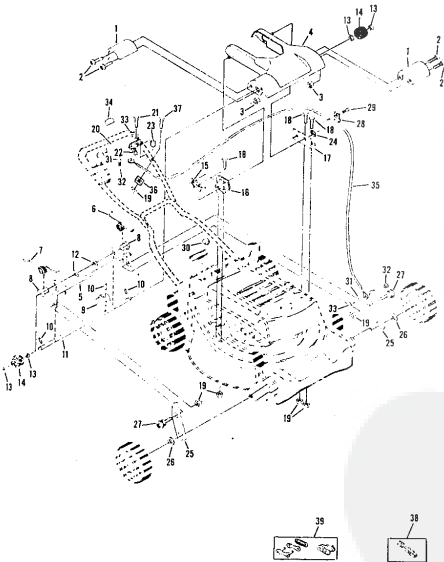
ROPER 20" REAR BAGGER 164CC 4.0 H.P. POWER-PROPELLED
LAWN MOWER MODEL NUMBER M6538AR **REPAIR PARTS**



ROPER 20" REAR BAGGER 164CC 4.0 H.P. POWER-PROPELLED **REPAIR PARTS**
LAWN MOWER MODEL NUMBER M6538AR

Ref. No.	Part No.	Part Name	Ref. No.	Part No.	Part Name
1	76468	Handle - Upper	36	72425	Wheel and Tire Assembly-8" (R.R.-L.R.-R.F.-L.F.)
2	73445	Remote Control	37	64763	Bolt, Shoulder (Special) 3/8-16 (R.R.-L.R.-R.F.-L.F.)
3	69411	Screw, Machine Phillips #10-24 X 1 3/4	38	62335	Washer, Belleville .505-1.10 X .062 (R.R.-L.R.-R.F.-L.F.)
4	69180	Nut, Lock #10-24	39	69474	Axle Arm Assembly (R.F.-L.R.)
5	52715	Knob - Handle	40	73632	Axle Arm Assembly (R.R.-L.R.-L.F.)
6	58891	Cable Clip	41	70683	Selector Spring (R.R.-L.R.-R.F.-L.F.)
7	62362	Handle - Lower	42	70685	Selector Knob (R.R.-L.R.-R.F.-L.F.)
8	52714	Bolt, Handle 5/16-18 X 1 3/4	43	69478	Wheel Adjusting Bracket (R.R.-L.R.-R.F.-L.F.)
9	51793	Mainpin Cutter - 3/4	44	78992	Handle Bracket Assembly-Left
10	79261	Engine Shroud Pack (Incl. Ref. #11,12,13)	45	78991	Handle Bracket Assembly-Right
11	74640	Decal - Center	46	75156	Bolt, Carriage 5/16-18 X 1/2 (R.R.-L.R.)
12	74960	Decal - Shroud	47	74399	Nut, Lock 5/16-18 (R.R.-L.R.)
13	74959	Decal - Engine Instruction	48	62333	Washer, Flat Steel .390-1.457 X .074 (R.R.-L.R.-R.F.-L.F.)
14	73322	Screw, Self-Tapping #8 X 3/4	49	74400	Nut, Lock 3/8-16 (R.R.-L.R.-R.F.-L.F.)
15	68546	Screw, Self-Tapping 1/4-20 X 3/4	50	79269	Housing W/Silk Screening W/Decal (Incl. Ref. #51)
16	75363	Catcher Bag	51	73221	Decal - Housing
17	72870	Catcher Frame	52	69226	Blade Flange Assembly
18	72883	Rear Skirt	53	69229	Blade
19	72061	Backing Strip	54	69285	Washer, Blade
20	73176	Catcher Support	55	54867	Washer, Spring (Belleville Type)
21	73845	Screw, Self-Tapping 1/4-20 X 1/2	56	51633	Nut, Nylok 5/8-16
22	72881	Catcher Latch (Incl. Ref. #23)	57	71851	Sprocket 9 Tooth W/2 Set Screw (Incl. Ref. #58)
23	68618	Knob	58	52826	Set Screw 1/4-28 X 3/16
24	73383	Bolt, Carriage 1/4-20 X 5/8	59	52978	Key, Woodruff #5
25	74218	Nut, Lock 1/4-20	60	68205	Screw, Machine Hex Head 5/16-18 X 7/8
26	75788	Number Plate	61		Engine-Model (LAV 40-50375D) (Tecumseh Products Company) (4.0 H.P.)
27	54562	Screw, Self-Tapping #10-24 X 3/8		75790	Parts List - Owner's Manual
28	72869	Rear Door			
29	73215	Hinge Bracket			
30	73326	Hinge Rod			
31	72962	Spring			
32	68640	Cutter Pin - 3/4			
33	67360	Hub Cap (R.R.-L.R.-R.F.-L.F.)			
34	55015	Retainer Clip (R.R.-L.R.-R.F.-L.F.)			
35	52160	Washer, Flat Steel .515-1 X .031 (R.R.-L.R.-R.F.-L.F.)			

ROPER 20" REAR BAGGER 164CC 4.0 H.P. POWER-PROPELLED **REPAIR PARTS**
LAWN MOWER MODEL NUMBER M6538AR

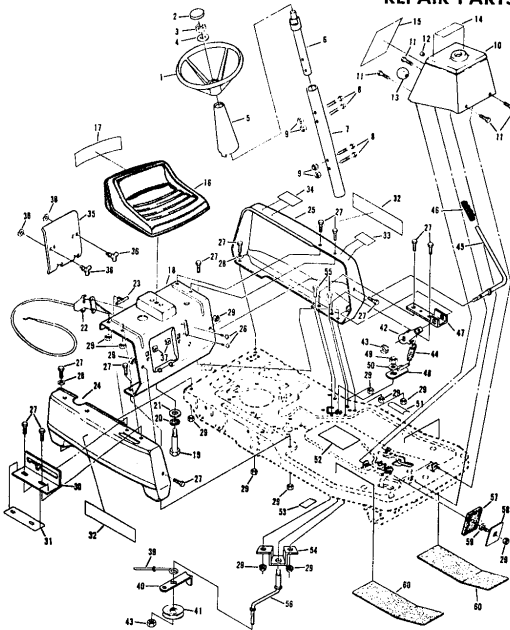


ROPER 20" REAR BAGGER 164CC 4.0 H.P. POWER-PROPELLED **REPAIR PARTS**
LAWN MOWER MODEL NUMBER M6538AR

Ref. No.	Part No.	Part Name	Ref. No.	Part No.	Part Name
1	73629	Drive Cover	22	72979	Nut, Shoulder (Special) 1/4-28
2	75136	Screw, Machine #10-24 X 1/2	23	73405	Spacer
3	53491	Nut, Lock #10-24	24	52365	E-Ring 3/8 Shaft
4	76335	Chain Cover Assembly	25	74162	Lower Link
5	73626	Yoke Assembly	26	74232	Washer, Flat Steel .531-1.187 X .148
6	73115	Spring - L.H.	27	73916	Bolt, Shoulder (Special) 1/4-20
7	73172	Spring - R.H.	28	73276	Retainer
8	73087	Bearing	29	55187	Screw, Self-Tapping 5/16-18 X 3/4
9	72696	Sprocket - 8 Tooth	30	58891	Cable Clip
10	52379	Spring Pin - 3/16 X 1	31	74190	Spacer
11	73628	Driven Shaft	32	57155	Screw, Machine 10-24 X 5/8
12	73928	Washer, Flat Steel .828 - 1.25 X .028	33	69180	Nut, Lock 10-24
13	52364	E-Ring 5/8 Shaft	34	73442	Decal - Clutch
14	67973	Driver	35	76406	Cable
15	75043	Pivot Adjusting Bracket	36	76370	Cable Clamp
16	74617	Pivot - R.H.	37	65131	Screw, Machine 1/4-20 X 1 1/2
17	74618	Pivot - L.H.	38	74787	Chain .65 (44 Pitches)
18	54395	Screw, Hex Head 1/4-20 X 5/8	39	60472	Repair Link Kit (Incl. Offset and Connecting Link)
19	74216	Nut, Lock 1/4-20			
20	74161	Lever			
21	72978	Bolt, Shoulder (Special) 1/4-28 X 1 5/8			

ROPER 32" REAR ENGINE RIDING LAWN MOWER ELECTRIC START 8.0 H.P. MODEL NUMBER K8327AR

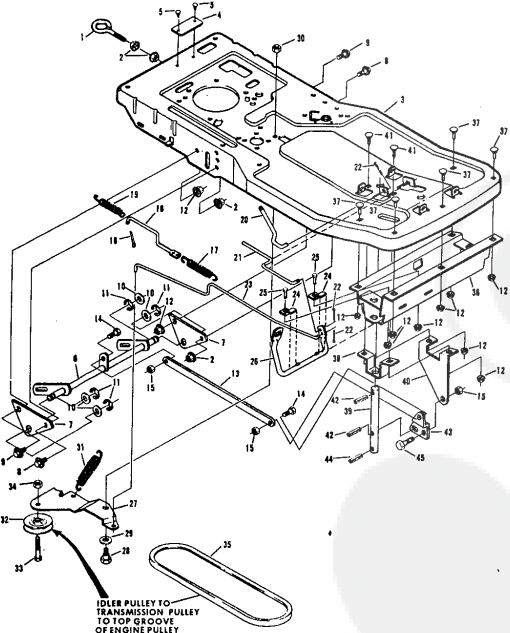
REPAIR PARTS



ROPER 32" REAR ENGINE RIDING LAWN MOWER ELECTRIC START 8.0 H.P. MODEL NUMBER K8327AR

Ref. No.	Part No.	Part Name	Ref. No.	Part No.	Part Name
1	74544	Steering Wheel	29	54922	Nut, Keps 5/16-18
2	74572	Inset Cap	30	74531	Shifter Gate
3	50830	Nut, Lock 1/2-20	31	74560	Decal - Shift
4	53632	Washer, Flat Steel .531-1 X .063	32	74601	Decal-Side Panel (L.H.-R.H.)
5	72705	Steering Shaft Cover	33	74561	Decal-Brake Control
6	74565	Steering Shaft - Upper	34	74512	Decal-Engine Area
7	74582	Steering Shaft Extension	35	72926	Battery Holder
8	69902	Bolt, Hex Head 1/4-20 X 1 1/4	36	73319	Wing Head Stud
9	63601	Nut, Lock 1/4-20	37	73320	Receptacle
10	74523	Console Assembly	38	73321	Split Ring
11	71263	Screw, Thread Cutting 5/16-18 X 1/2	39	72987	Blade Brake Rod
12	71673	Flange Cap	40	74544	Bolt Keeper
13	55862	Knob	41	53018	Idler Pulley
14	75122	Decal-Operating Instructions	42	74613	Spring Arm
15	74558	Decal-Instruction	43	51961	Nut, Lock 3/8-16
16	74563	Seat Assembly	44	75045	Spring
17	75070	Decal - Seat	45	74538	Blade Clutch Lever
18	74563	Front Panel	46	71246	Grip
19	72639	Bolt, Shoulder (Special) 1/2-13	47	74539	Handle Bracket
20	18810	Washer, Lock - 1/2"	48	75339	Control Arm Assembly
21	53034	Washer, Flat Steel .531-1.187 X .127	49	62336	Nut, Lock 3/8-16
22	74537	Remote Control Assembly (Incl. Ref. 123)	50	67510	Washer, Flat Steel .390-5/8 X .090
23	61159	Knob - Remote Control	51	74559	Decal-Enter and Exit
24	74534	Side Panel - R.H.	52	74557	Decal-Brake Instruction
25	74532	Side Panel - L.H.	53	68306	Decal-Clutch and Brake
26	68346	Screw, Self-Topping 1/4-20 X 3/4	54	74542	Idler Support Bracket
27	71949	Screw, Machine Hex Head 5/16-18 X 3/4	55	51630	Bolt, Carriage 5/16-18 X 3/4
28	52915	Washer, Flat Steel .328-1.125 X .063	56	74543	Idler Arm
			57	67665	Foot Pad
			58	67189	Foot Pedal Plate
			59	67613	Bolt, Carriage 5/16-18 X 3/4
			60	72384	Floor Board Pad

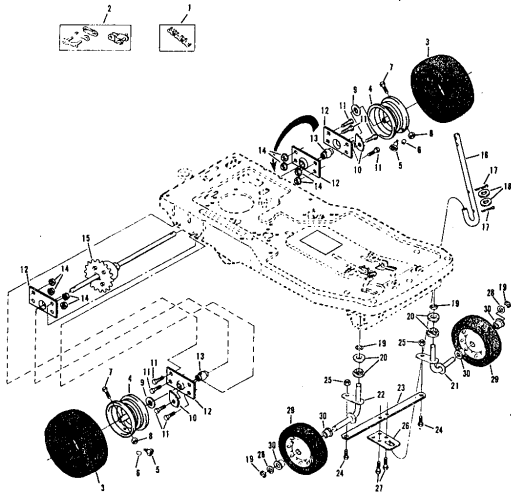
ROPER 32" REAR ENGINE RIDING LAWN MOWER ELECTRIC START 8.0 H.P. MODEL NUMBER K8327AR



ROPER 32" REAR ENGINE RIDING LAWN MOWER ELECTRIC START 8.0 H.P. MODEL NUMBER K8327AR

Ref. No.	Part No.	Part Name	Ref. No.	Part No.	Part Name
1	70530	Tow Hitch - Eyebolt	24	72360	Foot Pedal Clamp
2	55615	Nut, Keps 3/8-16	25	54262	Screw, Machine Hex W/Washer 5/16-18 X 5/8
3	74514	Chassis Assembly	26	72387	Foot Pedal
4	74524	Number Plate	27	67174	Motion Idler
5	61000	Plastic Rivet	28	58855	Bolt, Shoulder (Special) 5/16-24
6	75264	Lever Arm Assembly	29	67725	Washer, Flat Steel .531-1 X .134
7	75265	Side Bracket	30	54928	Nut, Lock 5/16-24
8	55912	Screw, Hex Head 3/8-16 X 3/4	31	73275	Spring - Idler
9	51630	Screw, Hex Head 5/16-18 X 3/4	32	58018	Pulley - Idler
10	53748	Washer, Flat Steel .640-1 X .063	33	55918	Screw, Hex Head 3/8-16 X 1 1/2
11	52364	E-Ring 5/8 Shaft	34	51961	Nut, Hex Lock 3/8-16
12	54922	Nut, Keps 5/16-18	35	67346	V-Belt
13	74545	Parallel Bar	36	72357	Front Member Assembly
14	67394	Bolt, Shoulder 5/16-18 X 3/4	37	72375	Lifter Bracket
15	63124	Nut, Lock 5/16-18	38	74516	Ballcrank Bracket
16	72386	Brake Rod - Rear	39	63079	Bolt, Carriage 5/16-18 X 1
17	64284	Spring	40	74572	Drive Lock Pin Type B
18	2947	Cotter Pin - 3/4	41	74522	Ballcrank
19	62355	Spring	42	73446	Drive Lock Pin Type F
20	74527	Lifter Handle	43	68475	Bolt, Shoulder 5/16-18 X 3/4
21	72361	Parking Brake Rod			
22	63640	Cotter Pin - 3/4			
23	72393	Motion Clutch and Brake Rod			

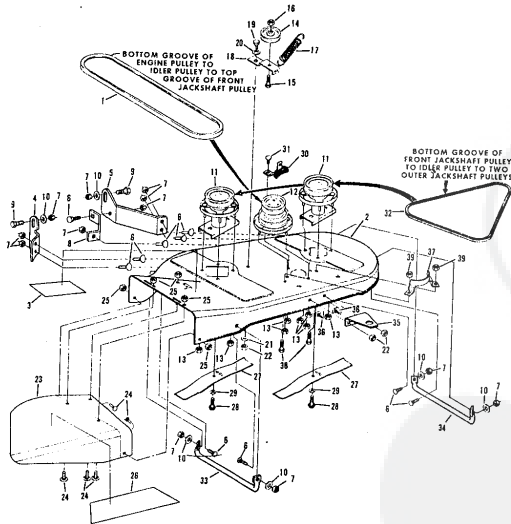
ROPER 32" REAR ENGINE RIDING LAWN MOWER ELECTRIC START 8.0 H.P. MODEL NUMBER K8327AR



ROPER 32" REAR ENGINE RIDING LAWN MOWER ELECTRIC START 8.0 H.P. MODEL NUMBER K8327AR

Ref. No.	Part No.	Part Name	Ref. No.	Part No.	Part Name
1	72818	Chain - 41 (82 Pitches)	17	2655	Cutter Pin - 1/8
2	60474	Repair Link Kit (Incl. Offset and Connecting Link)	18	57911	Washer, Flat Steel .640-1.250 X .063
3	70302	Tire - 13/8.00 X 4 (R.R.-L.R.)	19	53264	E-Ring 5/8 Shaft
4	70301	Rim (R.R.-L.R.)	20	71208	Bushing
5	65139	Valve Stem (R.R.-L.R.)	21	72401	Kingpin - L.H.
6	59192	Valve Cup (R.R.-L.R.)	22	72400	Kingpin - R.H.
7	67349	Bolt, Hex Head 5/16-18 X 1 5/8 (R.R.-L.R.)	23	73358	Tie Bar
8	67818	Nut, Lock 5/16-18 (R.R.-L.R.)	24	55855	Bolt, Shoulder (Special) 5/16-24 (R.F.-L.F.)
9	52966	Washer, Flat Steel .765-1.250 X .060 (R.R.-L.R.)	25	68990	Nut, Lock 5/16-24 (R.F.-L.F.)
10	67703	Chain Adjuster	26	72359	Steering Plate
11	51447	Screw, Hex Head 5/16-18 X 7/8 (R.R.-L.R.)	27	71063	Screw, Hex Head Thread Cutting 5/16-18 X 1/2
12	72382	Bearing Cup (R.R.-L.R.)	28	53848	Washer, Flat Steel .630-1 X .031
13	62346	Bearing (R.R.-L.R.)	29	67350	Wheel and Tire Assembly 10.50 X 3.50 (R.F.-L.F.) (Incl. Ref. #30)
14	54522	Nut, Keps 5/8-18 (R.R.-L.R.)			
15	73523	Differential Assembly (See Page 28)			
16	72547	Steering Shaft	30	64906	Bearing (R.F.-L.F.)

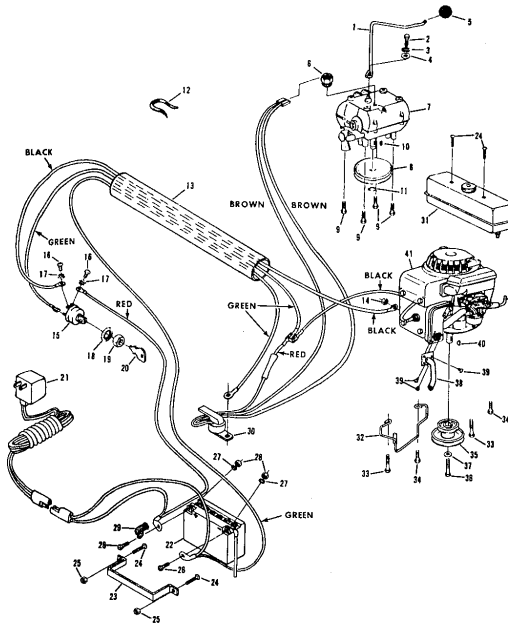
ROPER 32" REAR ENGINE RIDING LAWN MOWER ELECTRIC START 8.0 H.P. MODEL NUMBER K8327AR



ROPER 32" REAR ENGINE RIDING LAWN MOWER ELECTRIC START 8.0 H.P. MODEL NUMBER K8327AR

Ref. No.	Part No.	Part Name	Ref. No.	Part No.	Part Name
1	74212	V-Belt	20	67356	Washer, Flat Steel .630-1 X .050
2	79276	Housing W/Slit Screwing W/Decal (Incl. Ref. #3)	21	55611	Washer, Flat Steel .405-.860 X .172
3	75382	Decal - Housing	22	62336	Nut, Lock 3/8-16
4	74551	Housing Lifter - R.H.	23	71596	Discharge Guard
5	74552	Housing Lifter - L.H.	24	73383	Bolt, Carriage 1/4-20 X 5/8
6	59476	Bolt, Carriage 5/16-18 X 3/4	25	65001	Nut, Lock 1/4-20
7	63124	Nut, Lock 5/16-18	26	75085	Decal - Discharge Guard
8	74553	Strip	27	67405	Blade
9	58909	Bolt, Shoulder (Special) 5/16-18	28	67676	Screw, Machine Hex Head 3/8-24 X 7/8
10	50806	Washer, Flat Steel .328-.750 X .063	29	67354	Washer, Flat Steel .390-2.38 X .156
11	69542	Jackshaft Assembly - Driven	30	68107	Brake Assembly
12	69542	Jackshaft Assembly - Driver	31	73609	Bolt, Hex Head 3/8-16 X 5/8
13	55615	Nut, Keps 3/8-16	32	67398	V-Belt
14	67400	Idler Pulley	33	74548	Skid - R.H.
15	55918	Screw, Hex Head W/Lock Washer 3/8-16 X 1 1/2	34	74549	Skid - L.H.
16	51961	Nut, Lock 3/8-16	35	74550	Mower Support
17	67401	Spring	36	61306	Bolt, Carriage 3/8-16 X 3/4
18	67399	Idler Arm	37	67404	Bolt Knob
19	62361	Bolt, Shoulder (Special) 3/8-16	38	54982	Screw, Hex Head 5/16-18 X 3/4
			39	54922	Nut, Keps 5/16-18

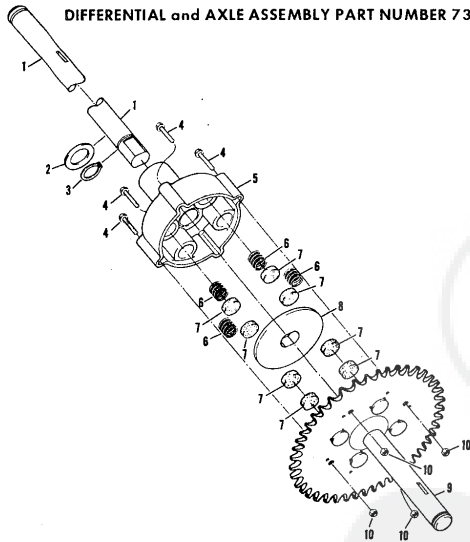
ROPER 32" REAR ENGINE RIDING LAWN MOWER ELECTRIC START 8.0 H.P. MODEL NUMBER K8327AR



ROPER 32" REAR ENGINE RIDING LAWN MOWER ELECTRIC START 8.0 H.P. MODEL NUMBER K8327AR

Ref. No.	Part No.	Part Name	Ref. No.	Part No.	Part Name
1	75266	Shift Lever	24	58609	Screw, Machine 1/4-20 X 5/8
2	75246	Bolt, Hex Head 1/4-28 X 1/2	25	63601	Nut, Lock 1/4-20
3	5081	Washer, Lock 1/4	26		Screw, Hex Head 1/4-20
4	53847	Washer, Flat Steel .265-.750 X .063	27		(Furnished With Battery Pack)
5	55862	Knob	28		Washer, Lock 1/4-20
6	74525	Switch - Transmission	29		(Furnished With Battery Pack)
7	794212	Knob	29	64422	Terminal Block
		Transmission Assembly Model 145-719 (See Pages 30 and 31)	30	74530	Switch - Relay Module
8	73541	Pulley - Transmission	31	74099	Fuel Tank
9	54262	Screw, Machine Hex Head 5/16-18 X 7/8	32	72392	Belt Keeper
10	58349	Key, Woodruff #9	33	74996	Screw, Thread Form 5/16-18 X 1
11	65302	Retainer Ring 5/8 Shaft	34	55187	Screw, Hex Head Topping 5/16-18 X 3/4
12	43174	Wire Tie	35	72398	Engine Pulley
13	74535	Wire Harness	36	68274	Screw, Machine 3/8-24 X 1 3/8
14	53490	Nut, Lock 1/4-20	37	62735	Washer, Flat Steel .375-1.250 X .201
15	72841	Ignition Switch (Incl. Ref. #16, 17, 18, 19, 20)	38	75063	Exhaust Tube
16	67756	Screw, #10-32 X .31	39	36462	Screw, #8 Type AB X 3/8
17	67757	Washer, Lock Internal Tooth #10	40	32859	Key, Woodruff #61
18	67758	Washer, Lock Internal Tooth 5/8	41		Engine Model-WM80-15010SD (Cummins Products Company) (8.0 H.P.)
19	67759	Nut, Hex 5/8-32		74569	Parts List - Owner's Manual
20	67760	Key Set (Pair)			
21	70452	Battery Charger			
22	70451	Battery Pack			
23	72706	Battery Strap			

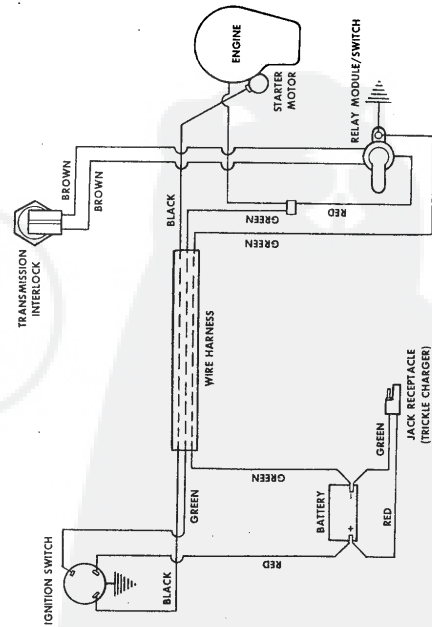
ROPER 32" REAR ENGINE RIDING LAWN MOWER ELECTRIC START 8.0 H.P. MODEL NUMBER K8327AR
DIFFERENTIAL and AXLE ASSEMBLY PART NUMBER 73523



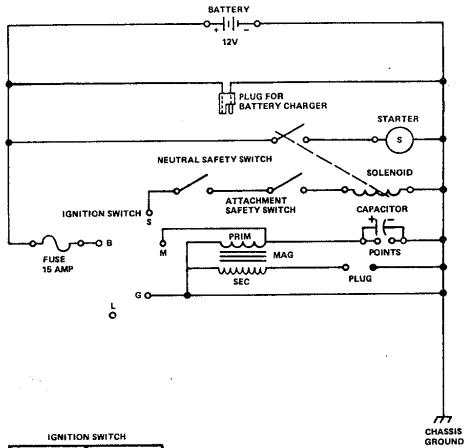
Ref. No.	Part No.	Part Name	Ref. No.	Part No.	Part Name
1	79099	Slip Axle	5	79022	Housing W/Bearings
2	78982	Washer, Thrust .751-1.250 X .0478	6	78979	Spring
3	35586	Retaining Ring	7	78978	Friction Block
4	79017	Screw, Machine Torx Washer Head 5/16-24 - 2	8	78976	Drive Disc
			9	79100	Fixed Axle Assembly
			10	79018	Nut, Lock 5/16-24

WIRING DIAGRAM

ROPER 32" REAR ENGINE RIDING LAWN MOWER ELECTRIC START 8.0 H.P. MODEL NUMBER K8327AR



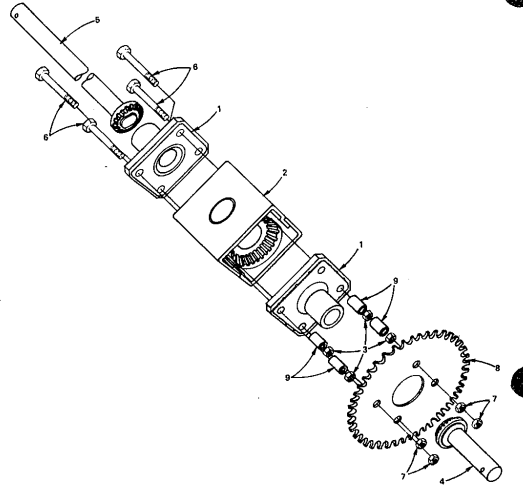
32" REAR ENGINE RIDING LAWN MOWER-MODEL NUMBER K8327BR
SCHEMATIC DIAGRAM



IGNITION SWITCH	
POSITION	CIRCUIT
OFF	M-G
ON	B-L
START	B-S

REPAIR PARTS

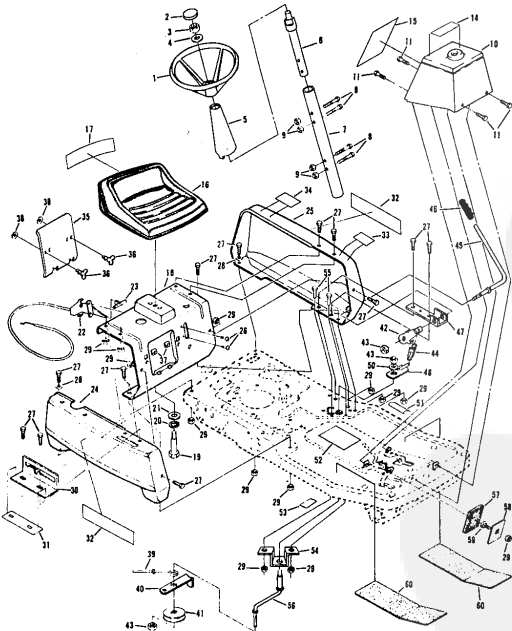
32" REAR ENGINE RIDING LAWN MOWER-MODEL NUMBER K8327BR
DIFFERENTIAL ASSEMBLY PART NUMBER 2112J



KEY NO.	PART NO.	DESCRIPTION
1	2308J	End Cap - Bearing Assembly
2	2305J	Transfer Gear Case Assembly
3	504P	Hex Nut - 5/16 - 18 UNC
4	2310J	Gear Shaft Assembly - Right
5	2311J	Gear Shaft Assembly - Left
6	338P	Hex Bolt (Plated) 5/16 - 18 x 4 - 1/2
7	575P	Locknut - Grippo 5/16 - 18 UNC (Plated)
8	2312J	Sprocket
9	2313J	Sprocket

REPAIR PARTS

32" REAR ENGINE RIDING LAWN MOWER-MODEL NUMBER K8327BR
STEERING AND ENCLOSURE GROUP



REPAIR PARTS

32" REAR ENGINE RIDING LAWN MOWER-MODEL NUMBER K8327BR
STEERING AND ENCLOSURE GROUP

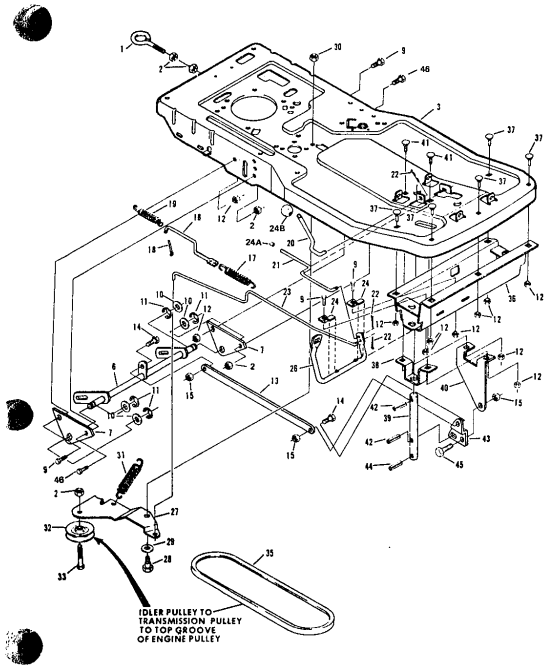
KEY NO.	PART NO.	DESCRIPTION	KEY NO.	PART NO.	DESCRIPTION
1	7456A	Steering Wheel	30	74531	Shifter Gate
2	1114J	Insert Cap	31	74560	Decal - Shift
3	588P	*Jam Nut 1/2 - 20 UNF	32	74601	Decal - Roper
4	1545P	Washer 17/32 x 1 x 18 Ga.	33	74501	Decal - Blade Control
5	72705	Steering Shaft Cover	34	74512	Decal - Engine Area
6	74505	Steering Shaft - Upper	35	72926	Battery Holder
7	74682	Steering Shaft Extension	36	73319	Wing Head Stud
8	3255P	*Bolt, Hex 1/4 - 20 x 1 - 1/4 G. 5	37	73220	Rescote
9	588P	Locknut with Washer Insert 1/4 - 20 UNC	38	73321	Split Ring
10	74523	Console Assembly	39	72987	Blade Brake Rod
11	3383P	Screw, Hex Thread Rolling 5/16 - 18 x 1/2	40	74544	Bolt Keeper
14	75122	Decal - Operating Instructions	41	53018	Idler Pulley
15	74558	Decal - Instruction	42	74513	Spring Arm
16	1498J	Seat	43	545P	*Locknut - Grippo 3.8 - 16 UNC
17	75070	Decal - Seat	44	75045	Spring
18	74563	Front Panel	45	74538	Blade Clutch Lever
19	72639	Bolt, Shoulder 1/2 - 13 UNC	46	71246	Grip
20	1002P	*Lockwasher 1/2	47	74539	Handle Bracket
21	1625P	Washer 17/32 x 1 - 3/16 x 12 Ga.	48	75330	Control Arm Assembly
22	1544J	Throttle Control (See Key No. 23)	50	1638P	Washer 13/32 x 7/8 x 6 Ga.
23	61159	Knob - Remote Control	51	74559	Decal - Enter and Exit
24	74534	Side Panel - R.H.	52	74557	Decal - Brake Instruction
25	74532	Side Panel - L.H.	53	376J	Decal - Clutch and Brake
26	5547P	*Screw, Phillips Thuss Hd. Thread Cut 1/4 - 20 x 3/4	54	74542	Idler Support Bracket
27	3386P	Screw, Hex Washer Hd. Machine 5/16 - 18 x 3/4	55	3010P	*Bolt, Hex 5/16 - 18 x 3/4
28	1625P	Washer 17/32 x 1 - 1/8 x 16 Ga.	56	74543	Idler Arm
29	575P	*Locknut - Grippo 5/16 - 18 UNC	57	67265	Foot Pad
			58	67189	Foot Pedal Plate
			59	67613	Bolt, Carriage 5/16 - 18 x 3/4 Special
			60	72384	Floor Board Pad
			...	2086J	Fact and Warranty Tag
			...	2016J	Owner's Manual

*STANDARD HARDWARE - PURCHASE LOCALLY

REPAIR PARTS

32" REAR ENGINE RIDING LAWN MOWER-MODEL NUMBER K8327BR

CHASSIS



REPAIR PARTS

32" REAR ENGINE RIDING LAWN MOWER-MODEL NUMBER K8327BR

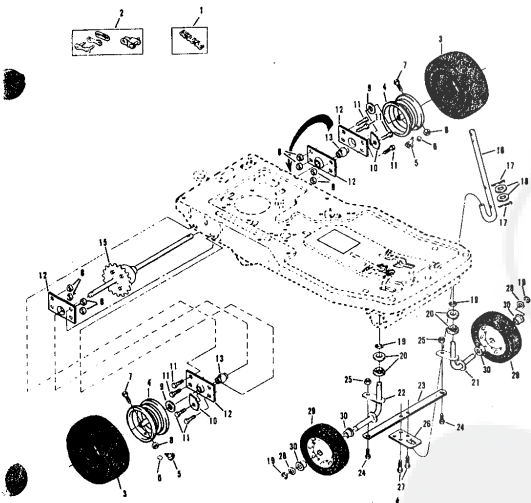
CHASSIS

KEY NO.	PART NO.	DESCRIPTION	KEY NO.	PART NO.	DESCRIPTION
1	70530	Tow Hitch - Eyebolt	26	72387	Foot Pad
2	545P	*Locknut, Gripco 3/8 - 16 UNC	27	67374	Motion Filter
3	74914	Chassis	28	59595	Bolt, Shoulder 5/16 - 24 x 1/2
6	75254	Lever Arm Assembly	29	1628P	Washer 17/32 x 1 1/2 x 10 Ga.
7	75265	Side Bracket	30	586P	Nut, Nylok 5/16 - 24 UNF
9	3010P	*Bolt, Hex 5/16 - 18 x 3/4	31	2044J	Spring - Idler
10	1580P	Washer 21/32 x 1 x 16 Ga.	32	63018	Pulley - Idler
11	5001P	E-Ring	33	6066P	Bolt, Hex with Sems Lockwasher 3/8 - 16 x 1 - 1/2 V-Bolt
12	563P	*Locknut, Gripco 5/16 - 18 UNC Gr. B	35	67346	Front Member Assembly
13	74545	Parallel Bar	36	72357	*Bolt, Carriage 5/16 - 18 x 3/4 Gr. 5
14	67394	Bolt, Shoulder 5/16 - 18 x 3/4	37	67P	Lifter Bracket
15	586P	Locknut, Nylok 5/16 - 18 UNC	38	72375	Housing Lifter
16	73798	Brake Rod - Rear	39	74516	Bolt, Carriage 5/16 - 18 x 1 Gr. 5
17	64284	Spring	40	74515	Bolt, Carriage 5/16 - 18 x 1 Gr. 5
18	2003P	*Cotter Pin 3/32 x 3/4	41	68P	Drive Lock Pin - Type B
19	62755	Spring	42	74516	Drive Lock Pin - Type F
20	74521	Lifter Handle	43	74522	Belcrank
21	72361	Parking Brake Rod	44	73446	Drive Lock Pin Type F
22	63646	Cotter Pin 5/64 x 3/8	45	68475	Bolt, Shoulder 5/16 - 18 x 3/4
23	72393	Motion Clutch and Brake Rod	46	3021P	Bolt, Hex 3/8 - 16 x 3/4
24	72360	Flange Cap			
24A	71823	Flange Cap			
24B	55862	Knob			

REPAIR PARTS

32" REAR ENGINE RIDING LAWN MOWER-MODEL NUMBER K8327BR

WHEEL GROUP



REPAIR PARTS

32" REAR ENGINE RIDING LAWN MOWER-MODEL NUMBER K8327BR

WHEEL GROUP

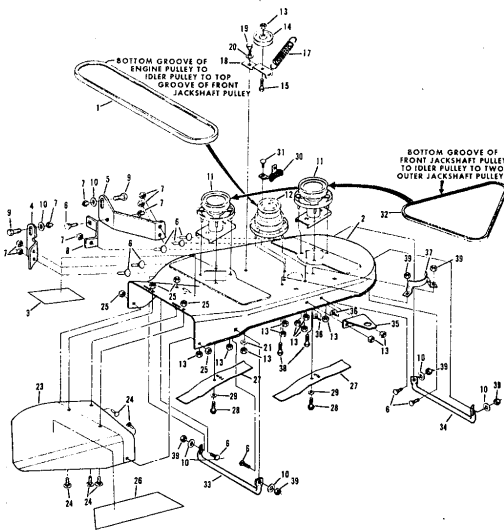
KEY NO.	PART NO.	DESCRIPTION	KEY NO.	PART NO.	DESCRIPTION
1	72818	Chain	16	72547	Steering Shaft
2	80474	Repair Link Kit (Inc. Offset and Connecting Link)	17	2606P	*Cotter Pin 1/8 x 1
3	70302	Tire 13 - 6.00 x 6	18	1628P	Washer 21/32 x 1 - 1/4 x 16 Ga.
4	70301	Rim - Rear	19	5001P	E-Ring
5	65138	Valve Stem	20	71208	Bearing
6	59192	Valve Cap	21	72401	Kingspin - L.H.
7	5366P	*Bolt, Hex 5/16 - 18 x 1 - 5/8 Gr. 5	22	72400	Kingspin - R.H.
8	653P	*Locknut, Gripco 5/16 - 18 UNC Gr. B	23	72358	Tie Bar
9	1617P	Washer 25/32 x 1 - 1/4 x 16 Ga.	24	56855	Bolt, Shoulder - Special 5/16 - 24
10	67703	Chain Adjuster	25	562P	Locknut, Hex with Washer Insert 5/16 - 24 UNF
11	6067P	Bolt, Hex with Sems Lockwasher 5/16 - 18 x 1	26	72359	Steering Plate
12	72382	Bearing Cup	27	3390B	Screw, Thread Rolling 5/16 - 18 x 1/2
13	62346	Bearing	28	1630P	Washer 21/32 x 1 x 21 Ga.
15	2112J	Differential Assembly	29	67350	Wheel and Tire Assembly 11.00 x 4.00 (Inc. Key No. 30)
			30	64906	Bearing

*STANDARD HARDWARE - PURCHASE LOCALLY

REPAIR PARTS

32" REAR ENGINE RIDING LAWN MOWER-MODEL NUMBER K8327BR

MOWER



REPAIR PARTS

32" REAR ENGINE RIDING LAWN MOWER-MODEL NUMBER K8327BR

MOWER

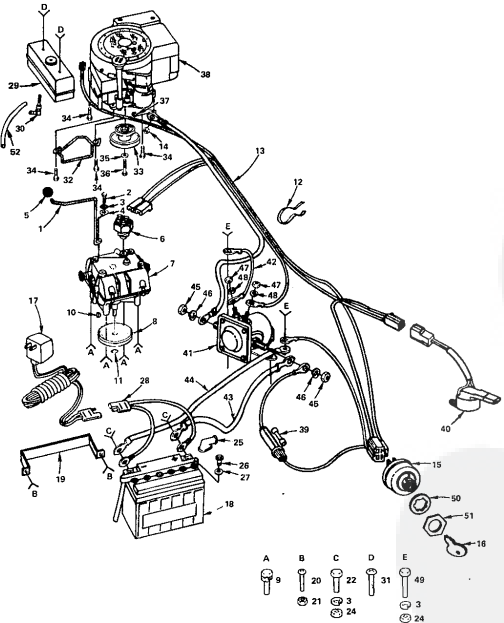
KEY NO.	PART NO.	DESCRIPTION	KEY NO.	PART NO.	DESCRIPTION
1	74212	V-Belt	21	1622P	Washer, 13/32 x 7/8 x 7 Ga.
2	75203	Housing with Silk Screening	22	71596	Discharge Guard
3	75382	Decal - Outer Head	24	70P	*Bolt, Carriage 1/4 - 20 x 3/4 Gr. 5
4	74551	Housing Lifter - R.H.	25	560P	Locknut, Gripco 1/4 - 20 UNC
5	74552	Housing Lifter - L.H.	26	75085	Decal - Discharge Guard
6	69P	*Bolt, Carriage 5/16 - 18 x 3/4 Gr. 5	27	67405	Blade
7	690P	Locknut, Nylonk 5/16 - 18 UNC	28	6060P	Screw, Hex Machine w/Semis Lockwasher
8	74553	Strap	29	1631P	Nylon Patch 3/8 - 24 x 7/8 Gr. 5
9	56908	Bolt, Shoulder - Special	30	88107	Washer, 13/32 x 2 - 3/8 x 10 Ga.
10	59808	*Washer 11/32 x 3/4 x 16 Ga.	31	8021P	Brake Assembly
11	71633	Jackshaft Assembly - Driven	32	3021P	*Bolt, Hex 3/8 - 16 x 3/4
12	6925	Jackshaft Assembly - Driver	33	67398	V-Belt
13	545P	Locknut, Gripco 3/8 - 16 UNC	34	74548	Skid - R.H.
14	67400	Idler Pulley	35	74549	Skid - L.H.
15	6066P	Bolt, Hex with Semis Lockwasher 3/8 - 18 x 1 - 1/2	36	74550	Mower Support
16	67401	Spring	37	19P	*Bolt, Carriage 3/8 - 16 x 3/4
17	67399	Idler Arm	38	8052P	Screw, Hex Head with Semis Lockwasher 5/16 - 18 x 3/4
18	62361	Bolt, Shoulder - Special	39	563P	Locknut, Gripco 5/16 - 18 UNC
19	67356	Washer - Special			

*STANDARD HARDWARE-PURCHASE LOCALLY

REPAIR PARTS

32" REAR ENGINE RIDING LAWN MOWER-MODEL NUMBER K8327BR

ELECTRICAL



REPAIR PARTS

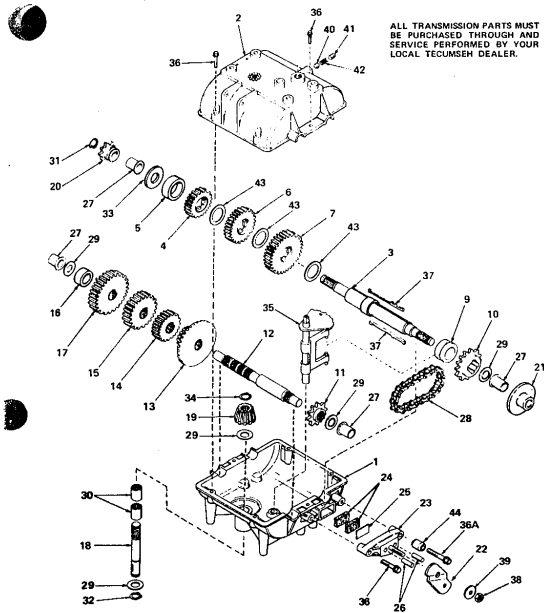
32" REAR ENGINE RIDING LAWN MOWER-MODEL NUMBER K8327BR

ELECTRICAL

KEY NO.	PART NO.	DESCRIPTION	KEY NO.	PART NO.	DESCRIPTION
1	75266	Shift Lever	28	600J	Charger Plug Assembly
2	5386P	Bolt, Hex 1/4 - 28 x 1/2 Gr. 5	29	742J	Fuel Tank
3	1002P	Lockwasher 1/4	30	730J	Fuel Tank Elbow
4	1907P	Washer 9/32 x 3/4 x 16 Ga.	31	3368P	Screw, Trans Hd. Phillips 1/4 - 20 x 5/8
5	6562	Knob	32	677A201	Belt Keeper Assembly
6	74925	Switch - Transmission	33	2188J	Engine Pulley
7	194122A	Transmission Assembly (718A)	34	5608P	Screw, Hex Hd. Thd. Rolling 3/8 - 18 x 1 - 1/2
8	73641	Pulley - Transmission	35	1634P	Washer 3/8 x 1 - 1/4 x 7 Ga.
9	6066P	Bolt w/Semis Lockwasher 5/16 - 18 x 5/8	36	6070P	Screw, Hex Hd. w/Semis Lockwasher 3/8 - 24 x 1 - 3/8 Nylon Patch Gr. 5
10	58349	Key, Woodruff No. 9	37	65053	Key, Woodruff No. 5
11	65302	Retaining Ring	38	191705	Engine, 8 H.P. Briggs & Stratton Type No. 664701
12	43174	Wire Tie	39	6347R	Fuse - 30 Amp.
13	2261J	Wire Harness	40	2053J	Safety Switch
14	63490	Locknut 1/4 - 20	41	7754R	Solenoid
15	4408R	Ignition Switch	42	8021R	Wire, Solenoid Ground
16	7952H	Key	43	665J	Cable Assembly (Battery to Solenoid)
17	70452	Battery Charger	44	2058J	Cable Assembly (Battery to Ground)
18	70451	Battery Pack	45	565P	Nut, Hex 5/16 - 24 UNF
19	72708	Battery Strap	46	1007P	Lockwasher 5/16
20	3397P	Screw, Trans Hd. Phillips 1/4 - 20 x 1/2	47	545P	Nut, Hex No. 10 - 32
21	988P	Locknut, 1/4 - 20 UNC w/Washer Inset	48	1006P	Lockwasher No. 10
22	3114P	Screw, Hex Head 1/4 - 20 x 1/2 (Furnished w/Battery Pack)	49	3003P	Bolt, Hex 1/4 - 20 x 3/4
24	605P	Hex Nut 1/4 - 20	50	67158	Lockwasher, Internal Tooth 5/8
25	718J	Terminal Boot	51	67759	Nut 5/8 - 32 UNF
26	2223J	Cap - Battery	52	2316J	Fuel Line
27	2224J	Gasket - Battery			

REPAIR PARTS

32" REAR ENGINE RIDING LAWN MOWER-MODEL NUMBER K8327BR
TRANSMISSION MODEL NUMBER 719A



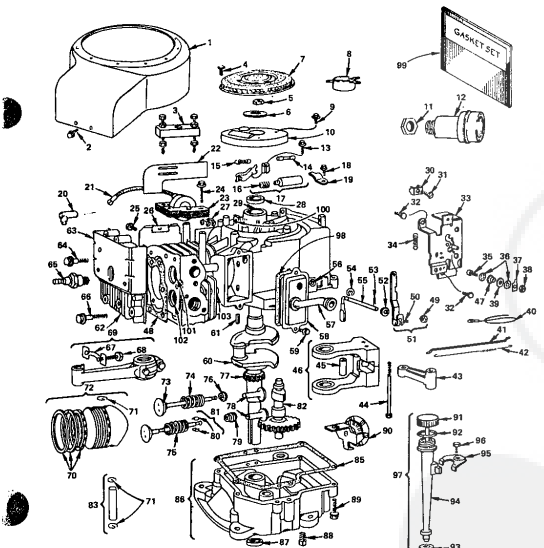
REPAIR PARTS

32" REAR ENGINE RIDING LAWN MOWER-MODEL NUMBER K8327BR
TRANSMISSION MODEL NUMBER 719A

KEY NO.	PART NO.	DESCRIPTION	KEY NO.	PART NO.	DESCRIPTION
1	794212A	Complete Transmission (719A)	25	39007	Plate, Brake pad
2	770061	Case, Transmission	26	78026	Pin, Dowel
3	775070	Shaft, Output and Brake	27	78005	Bushing, Flanged
4	776122	Gear, Spur (20 teeth)	28	76081	Chain, Roller (No. 41 chain, 24 links)
5	785027	Screw, Washer	29	780072	Race, Thrust
6	776123	Gear, Spur (25 teeth)	30	780106	Bearing, Needle
7	776124	Gear, Spur (30 teeth)	31	792072	Ring, Retaining
8	754706	Collar, Shaft	32	780026	Ring, Retaining
9	784706	Sprocket (18 teeth)	33	780109	Washer
10	784803	Sprocket (18 teeth)	34	788040	Ring, Retaining
11	785082	Sprocket (18 teeth)	35	784270	Head & Fork Assy., Shift
12	776134	Shaft, Counter	36	782073	Screw, Hex hd. tapite, 1/4" x 2-1/4"
13	775109	Gear, Spur (42 tooth and 15 tooth spur gear)	36A	792085	Screw, Hex hd. tapite, 1/4" x 2-1/4"
14	776126	Gear, Spur (20 teeth)	37	792089A	Key
15	776127	Gear, Spur (25 teeth)	38	782075	Nut, 5/16" x 24 lock
16	788071	Sprocket	39	792076	Washer, Flat, 5/16"
17	775129	Gear, Spur (30 teeth)	40	782077	Ball, Steel, 5/16"
18	776135	Shaft, Input	41	792078	Screw, Set, 5/16" x 3/8"
19	776133	Sprocket, Input	42	792079	Spring
20	786047	Sprocket (18 teeth)	43	780106	Washer, Thrust
21	795004	Link, Brake	44	786007	Sprocket
22	795005	Lever, Brake			
23	790005	Holder, Brake pad			
24	790006	Pad, Brake			

REPAIR PARTS

32" REAR ENGINE RIDING LAWN MOWER-MODEL NUMBER K8327BR
BRIGGS & STRATTON 8 H.P. ENGINE-MODEL NO. 191705, TYPE NO. 5647-01
CYLINDER, CRANKSHAFT AND ENGINE BASE GROUP



REPAIR PARTS

32" REAR ENGINE RIDING LAWN MOWER-MODEL NUMBER K8327BR
BRIGGS & STRATTON 8 H.P. ENGINE-MODEL NO. 191705, TYPE NO. 5647-01
CYLINDER, CRANKSHAFT AND ENGINE BASE GROUP

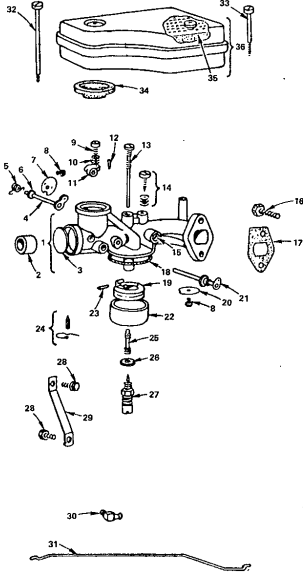
KEY NO.	PART NO.	DESCRIPTION	KEY NO.	PART NO.	DESCRIPTION
1	391379	Housing - Blower	61	61760	Key - Flywheel
2	93188	Screw - Set	62	21286	Cylinder Head
3	18105	Pin - Flywheel	63	222536	Cover - Cylinder Head
4	93905	Screw - Set	64	63211	Screw - 2, 21/32"
5	92284	Nut - Flywheel	65	282918	Spark Plug Resistor
6	220855	Washer - Spring	65	63222	Screw - 3"
7	222502	Screws - Flush Retaining	67	222114	Lock - Connecting Rod Screw
8	222501	Cup - Screen Mfg	68	82559	Screw - Connecting Rod
9	93705	Screw - Set	69	390402	Rod Assy. - Connecting
10	222117	Cover - Breaker Point	70	391699	(Inc. Key No's. 67 & 68)
11	91242	Locknut - Muffler	70	391670	RING SET - PISTON - Std.
12	393010	Muffler - Exhaust	70	391671	.010 Oversize
13	93381	Screw - Breaker Arm	70	391672	.020 Oversize
14	65704	Plunger - Breaker Point	70	391673	.030 Oversize
15	26018	Spring - Breaker Arm	71	68546	Lock - Piston Pin
16	260374	Spring - Connector	72	391674	Piston Assy. (Inc. Key No's. 70 & 71)
17	294028	Breaker Point & Condenser (Inc. Key No's. 15 & 16)	72	391675	.010 Oversize
18	93042	Screw - Set	72	391676	.020 Oversize
19	226477	Clamp - Condenser	72	391677	.030 Oversize
20	65538	Elbow - Spark Plug	73	261095	Intake Valve
21	221798	Terminal - Ignition Cable	74	65906	Spring - Intake Valve
22	221760	Guide - Air	75	28278	Spring - Exhaust Valve
23	298968	Armature Assy.	76	221526	Retainer - Intake Valve
24	93391	Screw - Armature	77	281195	Retainer - Exhaust Valve
25	93163	Screw - Set	78	260622	Tapset - Valve
26	222830	Shaft - Cylinder	79	282260	Rotocoil - Exhaust Valve
27	221907	Clip - Wire	80	93030	Retainer - Exhaust Valve
28	294606	Oil Seal	80	390419	Exhaust Valve (Inc. Key No. 80)
29	392876	Cylinder Assembly	82	211689	Gear - Cam
30	221535	Clamp - Casing	83	295640	Pin Assy. - Piston (Inc. Key No. 71)
31	93496	Screw - Set	85	295641	Pin Assy. - Piston (005 Oversize)
32	93572	Screw	85	27750	Gasket - Crankcase Cover - 1/64" thick
33	390662	Plate - Governor Control	85	27876	Gasket - Crankcase Cover - .005" thick
34	291306	Spring - Governor	85	27877	Gasket - Crankcase Cover - .008" thick
35	91920	Screw - Terminal	86	29616	Oil Sump (Inc. Key No's. 85 and 87)
36	92761	Lockwasher	87	298423	Oil Seal
37	93722	Terminal - Speed	88	91084	Plug - Oil Drain
38	90576	Hex Nut No. 8, 32	89	93585	Screw - Set
39	66068	Washer - Insulating	90	392119	Oil Strainer - Governor
40	299500	Wire - Ground	91	391840	Cap & Dipstick - Oil Filter
41	359971	Link - Governor	92	27020	Seal - Filter Cap
42	260584	Spring - Governor Link	93	68828	Seal - Filter Tube
43	212259	Link - Counterweight	94	260133	Tube - Oil Filter
44	93874	Screw - Counterweight	95	222402	Clamp - Oil Filter Tube
45	286009	Pin - Counterweight	96	93804	Screw - Clamp Mfg
46	390172	Counterweight Assy.	97	392065	Filter Group - Oil (Inc. Key No's. 91, 92, 93, 94, 95 & 96)
47	85554	Collar - Insulating	98	27802	Gasket - Valve Cover
48	279430	Gasket - Cylinder Head	99	299577	Gasket Set
49	231082	Hex Nut No. 10 - 24	100	22513	Bushing - Plunger
50	92613	Ball - Governor Lever	101	211681	Seal - Intake Valve (Std.)
51	391733	Lever Assy. - Governor (Inc. Key No's. 49 & 50)	102	211681	Seal - Exhaust Valve (Std.)
52	222450	Washer - Governor Lever	103	236665	Guide - Exhaust Valve
53	83308	Otter - Hair Pin			
54	93207	Retainer - O-Ring			
55	231058	Crank - Governor			
56	231055	Bushing - Governor Crank			
57	280026	Breather Tube			
58	391405	Breather Assy.			
59	93536	Set Screw			
60	391577	Crankshaft			

ALL ENGINE PARTS MUST BE PURCHASED THROUGH AND SERVICE PERFORMED BY YOUR LOCAL BRIGGS AND STRATTON DEALER.

*INCLUDED IN GASKET SET 299577
SPARK ARRESTER ASSEMBLY (OPTIONAL)
391913 Spark Arrester
222537 Deflector
93705 Screw (H required)

REPAIR PARTS

32" REAR ENGINE RIDING LAWN MOWER-MODEL NUMBER K8327BR
BRIGGS & STRATTON 8 H.P. ENGINE-MODEL NO. 191705, TYPE NO. 5647-01
CARBURETOR NUMBER 390811



ALL ENGINE PARTS MUST BE PURCHASED THROUGH AND SERVICE PERFORMED BY YOUR LOCAL BRIGGS AND STRATTON DEALER.

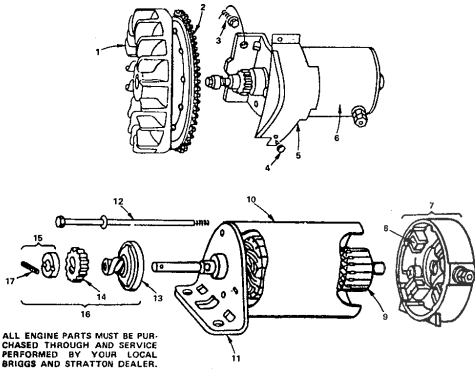
REPAIR PARTS

32" REAR ENGINE RIDING LAWN MOWER-MODEL NUMBER K8327BR
BRIGGS & STRATTON 8 H.P. ENGINE-MODEL NO. 191705, TYPE NO. 5647-01
CARBURETOR NUMBER 390811

KEY NO.	PART NO.	DESCRIPTION	KEY NO.	PART NO.	DESCRIPTION
1	209851	Body Ass'y. (Includes Key No. 3)	21	391512	Shaft & Lever - Throttle
2	211852	Venturi - Carburetor	22	221992	Bowl - Float
3	221997	*Plug - Welch	23	230806	*Pin - Float Hinge
4	390684	Shaft and Lever - Choke	24	390606	*Valve - Fuel Inlet
5	261116	Spring - Choke Return	25	230332	*Screw - Nozzle
6	270382	Washer - Choke Shaft	26	220214	*Washer - Float Bowl
7	220310	Valve - Choke	27	391235	*Valve - Needle
8	93499	Screw - Sem	28	93572	Screw
9	91920	Screw - Fil. Hd. Mach. No. 8 - 32 x 5/8	29	220237	Bracket - Carburetor
10	26157	Spring - Throttle Adjustment	30	67219	Connector - Fuel Pipe
11	211712	Stop - Throttle	31	261117	Link - Choke
12	93043	Pin - Throttle Stop	32	93323	Screw - Air Cleaner
13	299740	*Nozzle - Carburetor	33	93822	Screw - Air Cleaner
14	292691	*Valve Ass'y. - Carb. Idle	34	270539	Gasket - Air Cleaner
15	23108	Bushing - Throttle Shaft	35	270528	Element - Air Cleaner
16	93297	Screw - Carburetor Mtg.	36	391299	Air Cleaner Ass'y. (Inc. Key No. 35)
17	270824	*Gasket - Carburetor Mtg.	299852	299852	Carburetor Overhaul Kit (Inc. Parts Marked *)
18	260511	Float - Carburetor	390811	390811	Carburetor Assembly
19	299707	Valve - Throttle			
20	221986	Valve - Throttle			

REPAIR PARTS

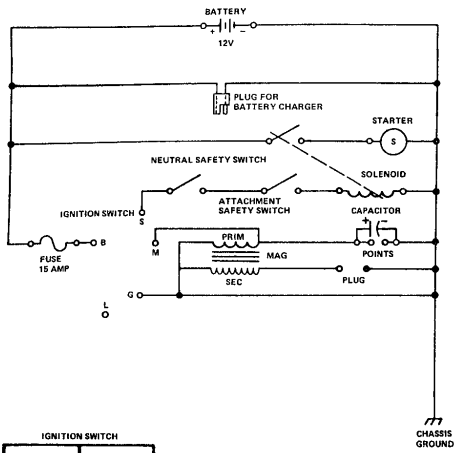
32" REAR ENGINE RIDING LAWN MOWER-MODEL NUMBER K8327BR
BRIGGS & STRATTON 8 H.P. ENGINE-MODEL NO. 191705, TYPE NO. 5647-01
FLYWHEEL AND STARTER MOTOR GROUP



ALL ENGINE PARTS MUST BE PURCHASED THROUGH AND SERVICE PERFORMED BY YOUR LOCAL BRIGGS AND STRATTON DEALER.

KEY NO.	PART NO.	DESCRIPTION
1	392034	Flywheel and Ring Gear Ass'y.
2	392134	Gear - Ring
3	93523	Screw - Sem
4	93410	Screw - Sem
5	390233	Cover & Shield - Starter
6	392749	Motor, Starter (Inc. Key No's. 7 thru 17)
7	392646	End Cap Ass'y., Commutator (Inc. Key No. 8)
8	391706	Brush Ass'y.
9	392747	Armature Ass'y.
10	392744	Housing Ass'y.
11	392061	End Cap Ass'y., Drive
12	391706	Thru Bolt Ass'y.
13	391195	Clutch Ass'y.
14	280104	Gear
15	391462	Retainer & Pin (Inc. Key No. 17)
16	391461	Drive Ass'y. (Inc. Key No's. 13, 14 & 15)
17	93754	Roll Pin

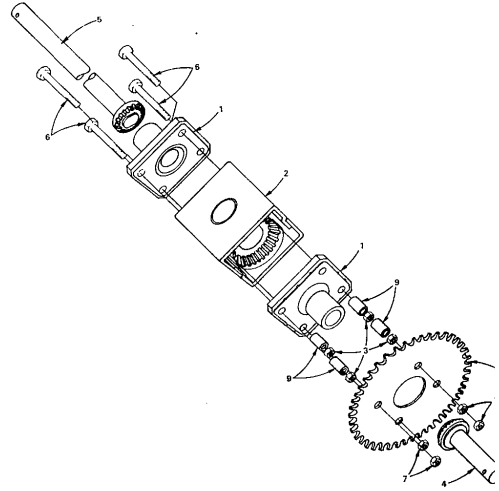
32" REAR ENGINE RIDING LAWN MOWER-MODEL NUMBER K8327CR
SCHEMATIC DIAGRAM



IGNITION SWITCH	
POSITION	CIRCUIT
OFF	M-G
ON	B-L
START	B-S

REPAIR PARTS

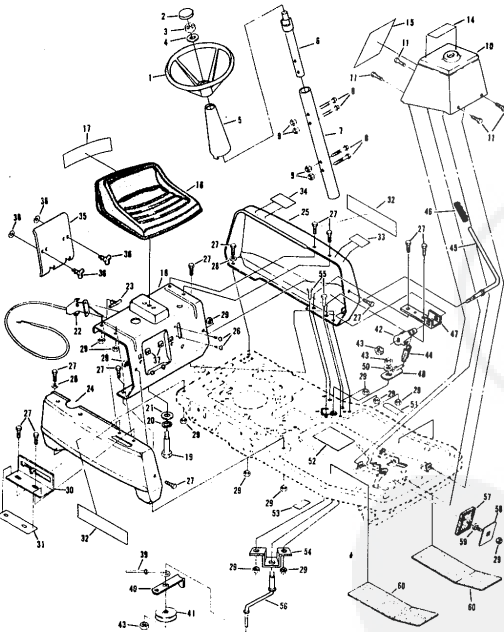
32" REAR ENGINE RIDING LAWN MOWER-MODEL NUMBER K8327CR
DIFFERENTIAL ASSEMBLY PART NUMBER 2112J



KEY NO.	PART NO.	DESCRIPTION
1	2308J	End Cap - Bearing Assembly
2	2308J	Transfer Gear Case Assembly
3	504P	Hex Nut - 5/16 - 18 UNC
4	2310J	Gear Shaft Assembly - Right
5	2311J	Gear Shaft Assembly - Left
6	3280P	Hex Bolt (Plated) 5/16 - 18 x 4 - 1/2
7	575P	Locknut - Gripco 5/16 - 18 UNC (Plated)
8	2312J	Sprocket
9	2313J	Spacer - Sprocket

REPAIR PARTS

32" REAR ENGINE RIDING LAWN MOWER-MODEL NUMBER K8327CR
STEERING AND ENCLOSURE GROUP



REPAIR PARTS

32" REAR ENGINE RIDING LAWN MOWER-MODEL NUMBER K8327CR
STEERING AND ENCLOSURE GROUP

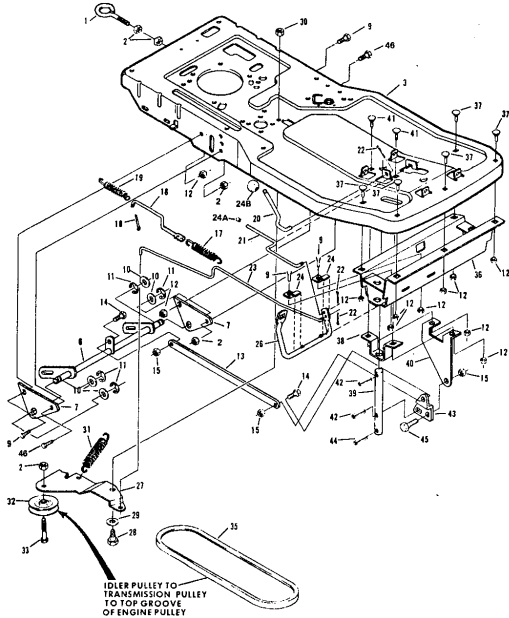
KEY NO.	PART NO.	DESCRIPTION	KEY NO.	PART NO.	DESCRIPTION
1	74564	Steering Wheel	30	74531	Shifter Gate
2	1114J	Insert Cap	31	74580	Decal - Shift
3	558P	*Jam Nut 1/2 - 20 UNF	32	74501	Decal - Roper
4	1545P	Washer 17/32 x 1 x 16 Ga.	33	74581	Decal - Blade Control
5	7275S	Steering Shaft Cover	34	74512	Decal - Engine Area
6	74555	Steering Shaft - Upper	35	7292B	Battery Holder
7	74562	Steering Shaft Extension	36	72319	Wing Head Stud
8	3255P	*Bolt, Hex 1/4 - 20 x 1 - 3/4 Gr. 5	37	73320	Recusatch
9	585P	Locknut with Washer Insert 1/4 - 20 UNC	38	73321	Suit Ring
10	74522	Console Assembly	39	72987	Blade Brake Rod
11	3393P	Screw, Hex, Thread Rolling 5/16 - 18 x 1/2	40	74544	Belt Keeper
14	75122	Decal - Operating Instructions	41	52018	Idler Pulley
15	74558	Decal - Instruction	42	74613	Spring Arm
16	1480J	Seat	44	75045	Locknut - Gripco 3/8 - 16 UNC
17	75070	Decal - Seat	45	74538	Blade Clutch Lever
18	74863	Front Panel	46	71248	Grip
19	72638	Bolt, Shoulder 1/2 - 13 UNC	47	74539	Handle Bracket
20	1000P	*Lockwasher 1/2	48	75339	Control Arm Assembly
21	1625P	Washer 17/32 x 1 - 3/16 x 12 Ga. (Inc. Key No. 23)	50	1636P	Washer 13/32 x 7/8 x 6 Ga.
22	1544J	Throttle Control	51	74559	Decal - Enter and Exit
23	61159	*Screw, Phillips Truss Hd. Thread Cut 1/4 - 20 x 3/4	52	74557	Decal - Brake Instruction
24	74534	Side Panel - R.H.	53	376J	Decal - Clutch and Brake
25	74522	Side Panel - L.H.	54	74542	Idler Support Bracket
26	5547P	*Screw, Phillips Truss Hd. Thread Cut 1/4 - 20 x 3/4	55	3010P	*Bolt, Hex 5/16 - 18 x 3/4
27	3386P	Screw, Hex Washer Hd. Machine 5/16 - 18 x 3/4	56	74643	Idler Arm
28	1626P	Washer 17/32 x 1 - 1/8 x 16 Ga.	58	67189	Foot Pedal Plate
29	575P	*Locknut - Gripco 5/16 - 18 UNC	59	67613	Bolt, Carriage 5/16 - 18 x 3/4 Special
			60	72384	Floor Board Pad
				2079J	Owners Manual

STANDARD HARDWARE-PURCHASE LOCAL

REPAIR PARTS

32" REAR ENGINE RIDING LAWN MOWER-MODEL NUMBER K8327CR

CHASSIS



REPAIR PARTS

32" REAR ENGINE RIDING LAWN MOWER-MODEL NUMBER K8327CR

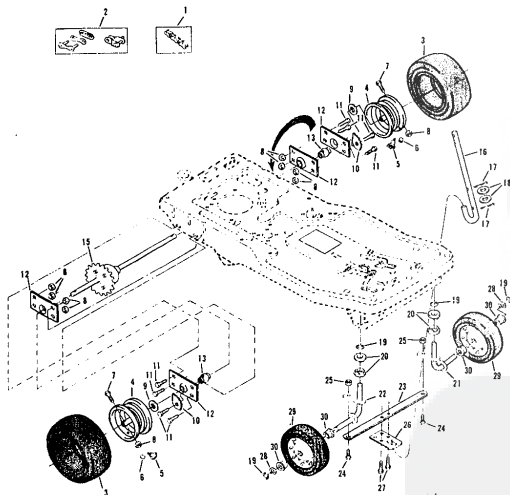
CHASSIS

KEY NO.	PART NO.	DESCRIPTION	KEY NO.	PART NO.	DESCRIPTION
1	70630	Tow Hitch - Eyebolt	28	72387	Foot Pedal
2	5469	*Locknut, Gripco 5/16 - 18 UNC	27	67114	Motion Idler
3	74514	Chassis	28	58855	Bolt, Shoulder 5/16 - 24 x 1/2
6	75284	Lever Arm Assembly	29	1828P	Washer 13/32 x 1 - 1/2 x 10 Ga.
7	75285	Sole Bracket	30	586P	Nut, Nylon 5/16 - 24 UNF
9	3010P	*Bolt, Hex 5/16 - 18 x 3/4	31	2044J	Spring - Idler
10	1580P	Washer 21/32 x 1 x 18 Ga.	32	53018	Pulley - Idler
11	5001P	E-Ring	33	6066P	Bolt, Hex with Sems Lockwasher 3/8 - 18 x 1 - 1/2
12	553P	*Locknut, Gripco 5/16 - 18 UNC Gr. B	35	67348	V-Belt
13	74545	Parallel Bar	36	72357	Front Member Assembly
14	67394	Bolt, Shoulder 5/16 - 18 x 3/4	37	67P	Bolt, Carriage 5/16 - 18 x 3/4 Gr. 5
15	580P	Locknut, Nylon 5/16 - 18 UNC	38	72375	Lifter Bracket
16	73798	Brake Rod - Rear	39	74516	Housing Lifter
17	64294	Spring	40	74515	Ballcrank Bracket
18	2503P	*Cotter Pin 3/32 x 3/4	41	68P	Bolt, Carriage 5/16 - 18 x 1 Gr. 5
19	82755	Spring	42	74576	Drive Lok Pin - Type B
20	74527	Lifter Handle	43	74522	Ballcrank
21	72361	Parking Brake Rod	44	24648	Drive Lok Pin Type F
22	53840	Cotter Pin 5/64 x 3/4	45	68475	Bolt, Shoulder 5/16 - 18 x 3/4
23	72383	Motion Clutch and Brake Rod	46	5021P	Bolt, Hex 5/16 - 18 x 3/4
24	72360	Foot Pedal Clamp			*STANDARD HARDWARE-PURCHASE LOCALLY
24A	71673	Plunger Cap			
24B	55862	Knob			

REPAIR PARTS

32" REAR ENGINE RIDING LAWN MOWER-MODEL NUMBER K8327CR

WHEEL GROUP



REPAIR PARTS

32" REAR ENGINE RIDING LAWN MOWER-MODEL NUMBER K8327CR

WHEEL GROUP

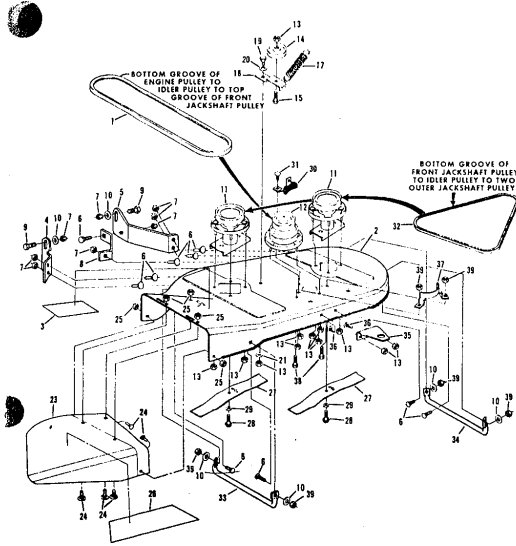
KEY NO.	PART NO.	DESCRIPTION	KEY NO.	PART NO.	DESCRIPTION
1	72818	Chain	18	72547	Steering Shaft
2	60474	Repair Link Kit (Inc. Offset and Connecting Links)	17	2506P	*Cotter Pin 1/8 x 1
3	70302	Tire 13 - 5.00 x 6	16	1623P	Washer 21/32 x 1 - 1/4 x 16 Ga.
4	70301	Rim - Rear	19	6001P	E-Ring
5	65129	Valve Stem	20	71208	Bearing
6	58132	Valve Cap	21	72401	Kingpin - L.H.
7	3395P	*Bolt, Hex 5/16 - 18 x 1 - 5/8 Gr. 5	22	72400	Kingpin - R.H.
8	553P	*Locknut, Gripco 5/16 - 18 UNC Gr. B	23	72358	Tie Bar
9	1617P	Washer 25/32 x 1 - 1/4 x 16 Ga.	24	58855	Bolt, Shoulder - Special 5/16 - 24
10	67703	Chain Adjuster	25	582P	Locknut, Hex with Washer Insert 5/16 - 24 UNF
11	6067P	*Bolt, Hex with Sems Lockwasher 5/16 - 18 x 1	26	72359	Steering Plate
12	72382	Bearing Cup	27	3393P	Screw, Thread Rolling 5/16 - 18 x 1/2
13	62348	Bearing	28	1830P	Washer 21/32 x 1 x 21 Ga.
15	2112J	Differential Assembly	29	67350	Wheel and Tire Assembly 11.00 x 4.00 (Inc. Key No. 30)
			30	64906	Bearing

*STANDARD HARDWARE-PURCHASE LOCALLY

REPAIR PARTS

32" REAR ENGINE RIDING LAWN MOWER—MODEL NUMBER K8327CR

MOWER



REPAIR PARTS

32" REAR ENGINE RIDING LAWN MOWER—MODEL NUMBER K8327CR

MOWER

KEY NO.	PART NO.	DESCRIPTION	KEY NO.	PART NO.	DESCRIPTION
1	74212	V Belt	21	1622P	Washer, 13/32 x 7/8 x 7 Ga.
2	78293	Housing with Silk Screening	23	71596	Discharge Guard
3	76382	Decal - Cutter Head	24	70P	*Bolt, Carriage 1/4 - 20 x 3/4 Gr. 5
4	79521	Housing Lifter - R.H.	26	5699P	Locknut, Gripco 1/4 - 20 UNC
5	74552	Housing Lifter - L.H.	28	75485	Decal - Discharge Guard
6	67P	*Bolt, Carriage 5/16 - 18 x 3/4 Gr. 5	27	67405	Blank
7	588P	Locknut, Nylon 5/16 - 18 UNC	28	6062P	Screw, Hex Machine w/Sems Lockwasher
8	74553	Strip	29	1631P	Nylon Patch 3/8 - 24 x 7/8 Gr. 5
9	5880B	Bolt, Shoulder - Special	30	88107	Washer 1/2 x 2 - 3/8 x 10 Ga.
10	50806	Washer 1 1/2 x 3/4 x 16 Ga.	31	5021P	Brake Assembly
11	71033	Jackshaft Assembly - Driver	32	67398	*Bolt, Hex 3/8 - 16 x 3/4
12	69522	Jackshaft Assembly - Driver	33	74548	V-Bolt
13	545P	Locknut, Gripco 3/8 - 16 UNC	34	74548	Skid - R.H.
14	67400	Idler Pulley	35	74550	Mower Support
15	6066P	Bolt, Hex with Sems Lockwasher 3/8 - 16 x 1 - 1/2	36	189P	*Bolt, Carriage 3/8 - 16 x 3/4
17	67401	Spring	37	67404	Bolt Snubber
18	67299	Idler Arm	38	6052P	Screw, Hex Head with Sems Lockwasher 5/16 - 18 x 3/4
19	62361	Bolt, Shoulder - Special	39	553P	Locknut, Gripco 5/16 - 18 UNC
20	67356	Washer - Special			

REPAIR PARTS

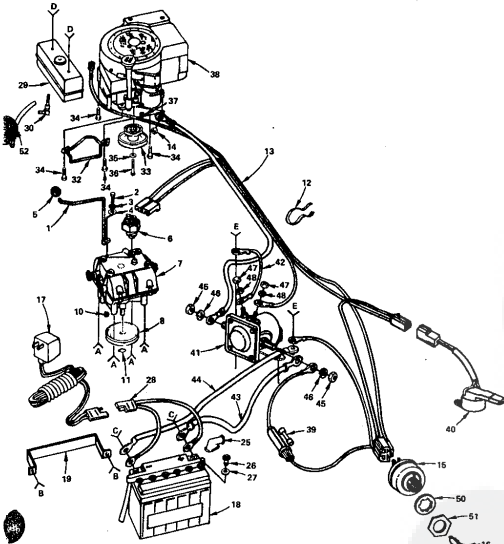
32" REAR ENGINE RIDING LAWN MOWER—MODEL NUMBER K8327CR

ELECTRICAL

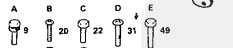
REPAIR PARTS

32" REAR ENGINE RIDING LAWN MOWER—MODEL NUMBER K8327CR

ELECTRICAL

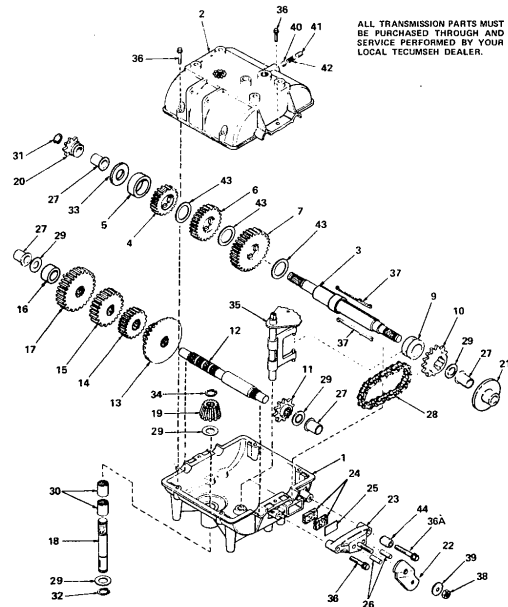


KEY NO.	PART NO.	DESCRIPTION	KEY NO.	PART NO.	DESCRIPTION
1	75266	Shift Lever	28	600J	Charger Plug Assembly
2	3389P	Bolt, Hex 1/4 - 28 x 1/2 Gr. 5	29	742J	Fuel Tank
3	1600P	Lockwasher 1/4	30	739J	Fuel Tank Elbow
4	1507P	Washer 3/32 x 3/4 x 16 Ga.	31	3358P	Screw, Truss Hd, Phillips 1/4 - 20 x 5/8
5	55882	Knob	32	677A201	Belt Keeper Assembly
6	74525	Switch - Transmission	33	2186J	Engine Pulley
7	794212A	Transmission Assembly (719A)	34	6608P	Screw, Hex Hd, Tnd, Rolling 3/8 - 16 x 1 - 1/2
8	72541	Pulley - Transmission	35	1634P	Washer 3/8 x 1 - 1/4 x 7 Ga.
9	6069P	Bolt w/Sems Lockwasher 5/16 - 18 x 5/8	36	6070P	Screw, Hex Hd, w/Sems Lockwasher 3/8 - 24 x 1 - 3/8 Nylon Patch Gr. 5
10	58349	Key, Woodruff No. 9	37	65053	Key, Woodruff No. 6
11	65302	Retaining Ring	38	191705	Engine, 8 H.P. Briggs & Stratton Type No. 6547-01
12	43174	Wire Tie	39	6347R	Fuse - 30 Amp.
13	2081J	Wire Harness	40	2083J	Safety Switch
14	53496	Locknut 1/4 - 20	41	7754R	Solenoid
15	4406H	Ignition Switch	42	8027R	Wire, Solenoid Ground
16	7552H	Key	43	686J	Cable Assembly (Battery to Solenoid)
17	7193P	Battery Charger	44	2086J	Cable Assembly (Battery to Ground)
18	70451	Battery Pack	45	889P	Nut, Hex 5/16 - 24 UNF
19	72708	Battery Strap	46	1007P	Lockwasher 5/16
20	3337P	Screw, Truss Hd, Phillips 1/4 - 20 x 1/2	47	549P	Nut, Hex No. 10 - 32
21	588P	Locknut, 1/4 - 20 UNC w/Washer Inset	48	1006P	Lockwasher No. 10
22	3114P	Screw, Hex Head 1/4 - 20 x 1/2 (Furnished w/Battery Pack)	49	3003P	Bolt, Hex 1/4 - 20 x 3/4
23	503P	Hex Nut 1/4 - 20	50	67758	Lockwasher, Internal Tooth 5/8
24	716J	Terminal Boot	51	67759	Nut 5/8 - 32 UNF
25	2233J	Cap - Battery	52	2316J	Fuel Line
26	2224J	Gasket - Battery			



REPAIR PARTS

32" REAR ENGINE RIDING LAWN MOWER-MODEL NUMBER K8327CR
TRANSMISSION MODEL NUMBER 719A



ALL TRANSMISSION PARTS MUST BE PURCHASED THROUGH AND SERVICE PERFORMED BY YOUR LOCAL TECLUMSEH DEALER.

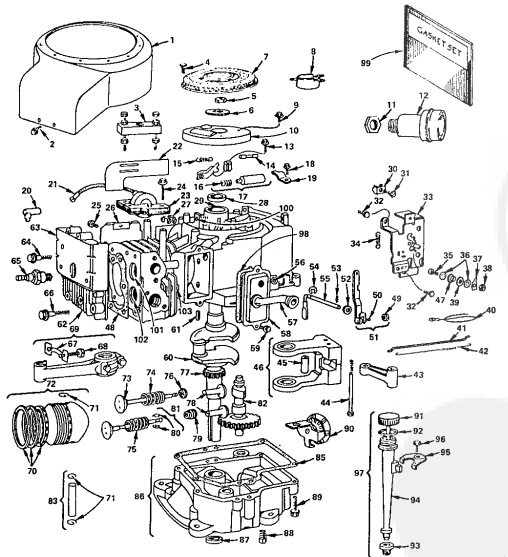
REPAIR PARTS

32" REAR ENGINE RIDING LAWN MOWER-MODEL NUMBER K8327CR
TRANSMISSION MODEL NUMBER 719A

KEY NO.	PART NO.	DESCRIPTION	KEY NO.	PART NO.	DESCRIPTION
1	794212A	Complete Transmission (719A)	25	790007	Plate, Brake pad
2	770081	Case, Transmission	26	780026	Pin, Dowel
3	772070	Cover, Transmission	27	780105	Bushing, Flanged
4	778162	Shaft, Output and Brake	28	780081	Chain, Roller (No. 41 chain, 24 links)
5	778121	Gear, Spur (25 teeth)	29	790072	Race, Thrust
6	786072	Spacer	30	780106	Bearing, Needle
7	778123	Gear, Spur (25 teeth)	31	792077	Ring, Retaining
8	778124	Gear, Spur (30 teeth)	32	792035	Ring, Retaining
9	784266	Collar, Shift	33	780109	Washer
10	786083	Sprocket (18 teeth)	34	788040	Ring, Retaining
11	786082	Sprocket (9 teeth)	35	784270	Rod & Fork Asy., Shift
12	778154	Shaft, Counter	36	792075	Screw, Hex hd. 1/8" dia., 1/4" x 1 - 1/4"
13	778109	Gear, Bevel (42 tooth and 15 tooth spur gear)	36A	792085	Screw, Hex hd. 1/8" dia., 1/4" x 2 - 1/4"
14	778126	Gear, Spur (20 teeth)	37	792089A	Key
15	778127	Gear, Spur (25 teeth)	38	792035	Nut, 5/16" - 24 lock
16	786071	Spacer	39	792076	Washer, Flat, 5/16"
17	778129	Gear, Spur (30 teeth)	40	792077	Ball, Steel, 5/16"
18	778135	Shaft, Input	41	792078	Screw, Set, 3/8" - 16 x 3/8
19	778113	Bevel pinion, input	42	792079	Spring
20	786047	Sprocket (8 teeth)	43	780108	Washer, Thrust
21	790003	Brake	44	780067	Spacer
22	790004	Lever, Brake			
23	790005	Hyliner, Brake pad			
24	790006	Pad, Brake			

REPAIR PARTS

32" REAR ENGINE RIDING LAWN MOWER-MODEL NUMBER K8327CR
BRIGGS & STRATTON 8 H.P. ENGINE-MODEL NO. 191705, TYPE NO. 5647-01
CYLINDER, CRANKSHAFT AND ENGINE BASE GROUP



ALL ENGINE PARTS MUST BE PURCHASED THROUGH AND SERVICE PERFORMED BY YOUR LOCAL BRIGGS AND STRATTON DEALER.

REPAIR PARTS

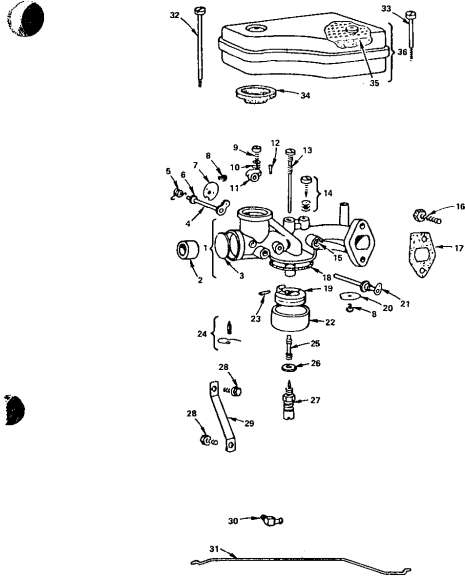
32" REAR ENGINE RIDING LAWN MOWER-MODEL NUMBER K8327CR
BRIGGS & STRATTON 8 H.P. ENGINE-MODEL NO. 191705, TYPE NO. 5647-01
CYLINDER, CRANKSHAFT AND ENGINE BASE GROUP

KEY NO.	PART NO.	DESCRIPTION	KEY NO.	PART NO.	DESCRIPTION
1	391379	Housing - Blower	61	61750	Key - Flywheel
2	93159	Screw - Sam	62	212286	Cylinder Head
3	19165	Puller - Flywheel	63	222636	Cover - Cylinder Head
4	83805	Screw - Sam	64	92211	Screw - 2" x 1/2"
5	92284	Nut - Flywheel	65	293918	Spark Plug Resistor
6	220655	Washer - Spring	66	92723	Screw - 3"
7	222562	Screen - Flush Rotating	67	222114	Lock - Connecting Rod Screw
8	222581	Cup - Screen Mtg	68	90553	Screw - Connecting Rod
9	90762	Locknut - Muffler	69	904602	ROD ASY., CONNECTING (Inc. Key No's 67 & 68)
10	232117	Cover - Breaker Point	70	391669	RING SET - PISTON, Std.
11	91242	Locknut - Muffler	391670		O10 Oversize
12	933010	Muffler - Exhaust	391671		O20 Oversize
13	83381	Screw - Breaker Arm	391672		O30 Oversize
14	85704	Plunger - Breaker Point	71	68546	Lock - Piston Pin
15	26016	Spring - Breaker Arm	72	391613	Piston Asy., Inc. Key No's 70 & 71
16	290374	Spring - Connector	391674		O10 Oversize
17	294628	Breaker Points & Condenser (Inc. Key No's 15 & 16)	391675		O20 Oversize
18	93042	Screw - Sam	391676		O30 Oversize
19	220477	Clamp - Condenser	73	261055	Intake Valve
20	69538	Elbow - Spark Plug	74	69596	Spring - Intake Valve
21	221798	Terminal - Ignition Cable	75	26828	Spring - Exhaust Valve
22	221760	Guide - Air	76	221895	Retainer - Intake Valve
23	298968	Armature Asy.	77	261195	Gear - Timing
24	93381	Screw - Armature	78	260933	Tapet - Valve
25	93163	Screw - Sam	79	292260	Rotocoll - Exhaust Valve
26	222830	Shield - Cylinder	80	90330	Retainer - Exhaust Valve
27	221907	Clip - Wire	81	393419	Exhaust Valve (Inc. Key No. 80)
28	294606	Oil Seal	82	211689	Gear - Cam
29	393675	Cylinder Assembly	83	295640	Pin Asy., Piston (Inc. 2 each Key No. 71)
30	221535	Clamp - Casing	85	295641	Pin Asy., Piston, ODS Oversize
31	93496	Screw - Sam	86	27750	*Gasket - Crankcase Cover - 1/64" thick
32	82572	Plate - Governor Control	27876		Gasket - Crankcase Cover - .006" thick
33	390662	Spring - Governor	27877		Gasket - Crankcase Cover - .008" thick
34	261506	Screw - Terminal	86	298616	Oil Sump (Inc. Key No's 85 and 87)
35	91920	Screw - Terminal	87	298423	Oil Seal
36	92791	Lockwasher	88	01084	Plug - Oil Drain
37	93722	Terminal - Spade	89	93385	Screw - Sam
38	90576	Hex Nut No. 8 - 32	90	932718	Oil Slinger - Governor
39	96068	Washer - Insulating	91	391840	Cap & Dipstick - Oil Filter
40	299500	Wire - Ground	92	210920	Seal - Filler Cap
41	260871	Link - Governor	93	68839	Seal - Filler Tube
42	280584	Spring - Governor Link	94	260133	Tube - Oil Filter
43	212759	Link - Counterweight	95	225202	Clamp - Oil Filter Tube
44	93874	Pin - Counterweight	96	93804	Screw - Clamp Mtg.
45	298909	Counterweight Asy.	97	392086	Filter Group - Oil (Inc. Key No's 91, 92, 93, 94, 95 & 96)
46	390172	Collar - Insulating	98	27803	*Gasket - Valve Cover
47	66554	Collar - Insulating	99	298977	Gasket Set
48	270430	*Gasket - Cylinder Head	100	29512	Bushing - Plunger
49	231062	Hex Nut No. 10 - 24	101	211681	Seat - Intake Valve (Std.)
50	92613	Bolt - Governor Lever	102	211661	Seat - Exhaust Valve (Std.)
51	391733	Lever Asy., Governor (Inc. Key No's 49 & 50)	103	239055	Guide - Exhaust Valve
52	222450	Washer - Governor Lever			
53	93306	Dotter - Hair Pin			
54	93307	Retainer - E Ring			
55	211058	Crank - Governor			
56	231055	Bushing - Governor Crank			
57	280005	Breather Tube			
58	391408	Breather Asy.			
59	93536	Sims Screw			
60	391757	Crankshaft			

*INCLUDED IN GASKET SET 299577
SPARK ARRESTER ASSEMBLY (OPTIONAL)
Spark Arrester
225237
Deflector
93705
Screw (4 required)

REPAIR PARTS

32" REAR ENGINE RIDING LAWN MOWER - MODEL NUMBER K8327CR
BRIGGS & STRATTON 8 H.P. ENGINE - MODEL NO. 191705, TYPE NO. 5647-01
CARBURETOR NUMBER 390811



ALL ENGINE PARTS MUST BE PURCHASED THROUGH AND SERVICE PERFORMED BY YOUR LOCAL BRIGGS AND STRATTON DEALER.

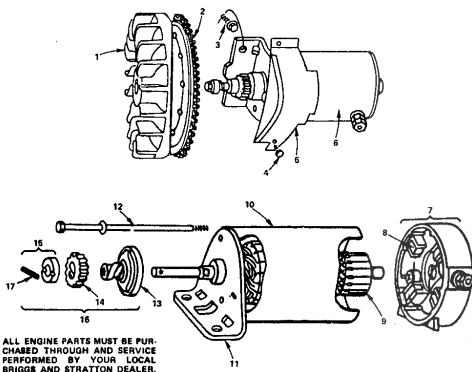
REPAIR PARTS

32" REAR ENGINE RIDING LAWN MOWER - MODEL NUMBER K8327CR
BRIGGS & STRATTON 8 H.P. ENGINE - MODEL NO. 191705, TYPE NO. 5647-01
CARBURETOR NUMBER 390811

KEY NO.	PART NO.	DESCRIPTION	KEY NO.	PART NO.	DESCRIPTION
1	299851	Body Ass'y. (Includes Key No. 3)	21	391512	Shaft & Lever - Throttle
2	211682	Venturi - Carburetor	22	221995	Bowl - Float
3	221997	*Plug - Wash	23	220886	*Pin - Float Hinge
4	350584	Shaft and Lever - Choke	24	290906	*Valve - Fuel Inlet
5	261116	Spring - Choke Return	25	230952	*Screw - Nozzle
6	270382	Washer - Choke Shaft	26	222014	*Washer - Float Bowl
7	222010	Valve - Choke	27	391233	*Valve - Needle
8	93499	Screw - Sem	28	65679	Screw
9	91920	Screw - Fil. Hd. Mach. No. B - 32 x 5/8	29	222027	Bracket - Carburetor
10	26157	Spring - Throttle Adjustment	30	61218	Connector - Fuel Pipe
11	211712	Stop - Throttle	31	261117	Link - Choke
12	95643	Pin - Throttle Stop	32	93323	Screw - Air Cleaner
13	259740	*Nozzle - Carburetor	33	93022	Screw - Air Cleaner
14	292681	*Valve Ass'y. - Carb. Idle	34	270539	Gasket - Air Cleaner
15	23108	Bushing - Throttle Shaft	35	270536	Element - Air Cleaner
16	93357	Screw - Carburetor Mfg.	36	391593	Air Cleaner Ass'y. (Inc. Key No. 35)
17	270624	*Gasket - Carburetor Mfg.		299852	Carburetor Overhaul Kit (Inc. Parts Marked *)
18	270511	*Gasket - Float Bowl	390811		Carburetor Assembly
19	289707	Float - Carburetor			
20	221985	Valve - Throttle			

REPAIR PARTS

32" REAR ENGINE RIDING LAWN MOWER - MODEL NUMBER K8327CR
BRIGGS & STRATTON 8 H.P. ENGINE - MODEL NO. 191705, TYPE NO. 5647-01
FLYWHEEL AND STARTER MOTOR GROUP

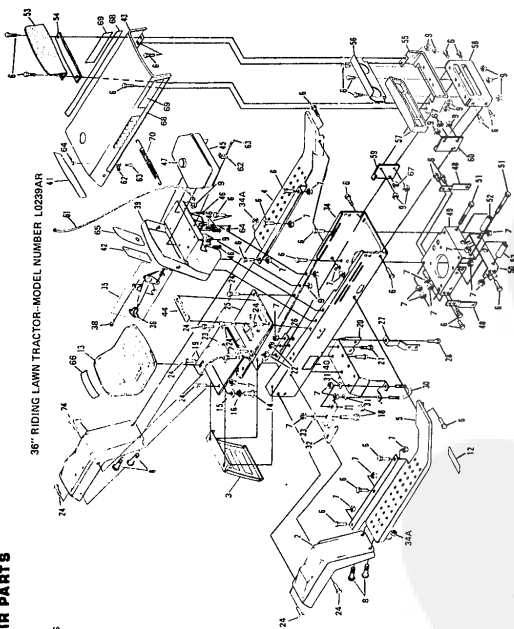


ALL ENGINE PARTS MUST BE PURCHASED THROUGH AND SERVICE PERFORMED BY YOUR LOCAL BRIGGS AND STRATTON DEALER.

KEY NO.	PART NO.	DESCRIPTION
1	392034	Flywheel and Ring Gear Ass'y.
2	392134	Gear - Ring
3	93823	Screw - Sem
4	93410	Screw - Sem
5	390233	Cover & Shield - Starter
6	392749	Motor, Starter (Inc. Key No's. 7 thru 17)
7	390846	End Cap Ass'y. Commutator (Inc. Key No. 8)
8	391705	Brush Ass'y.
9	392747	Armature Ass'y.
10	392744	Housing Ass'y.
11	392061	End Cap Ass'y. Drive
12	391706	Thru Bolt Ass'y.
13	391136	Clutch Ass'y.
14	280104	Gear
15	391462	Retainer & Pin (Inc. Key No. 17)
16	391461	Drive Ass'y. (Inc. Key No's. 13, 14 & 15)
17	93754	Roll Pin

REPAIR PARTS

CHASSIS



36" RIDING LAWN TRACTOR—MODEL NUMBER L0238AR

REPAIR PARTS

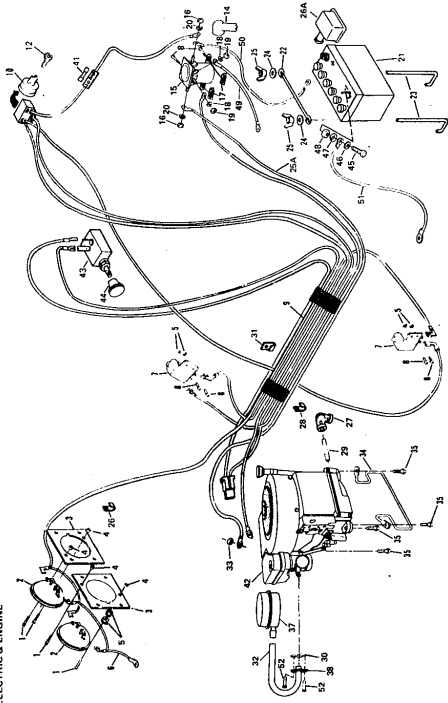
CHASSIS

KEY NO.	PART NO.	DESCRIPTION
2	200J	Fender, L. H.
3	1388J	Rear Cover, L.H.
4	1389J	Rear Cover, R.H.
5	1540J	Foot Rest, R.H.
6	2010P	Seat, Hex Head 5/16" - 18 x 3/4
7	2010P	Seat, Hex Head 5/16" - 18 x 1/2
8	2008P	Seat, Hex Head 5/16" - 18 x 1/2
9	2009P	Seat, Hex Head 5/16" - 18 x 1/2
10	2011P	Seat, Hex Head 5/16" - 18 x 1/2
11	2012P	Seat, Hex Head 5/16" - 18 x 1/2
12	2013P	Seat, Hex Head 5/16" - 18 x 1/2
13	1695J	Washer 1/2" x 1/4" - 11 Ga.
14	1696J	Washer 1/2" x 1/4" - 11 Ga.
15	1697J	Washer 1/2" x 1/4" - 11 Ga.
16	1698J	Washer 1/2" x 1/4" - 11 Ga.
17	1699J	Washer 1/2" x 1/4" - 11 Ga.
18	2012P	Seat, Hex Head 5/16" - 18 x 1/2
19	2013P	Seat, Hex Head 5/16" - 18 x 1/2
20	2014P	Seat, Hex Head 5/16" - 18 x 1/2
21	2015P	Seat, Hex Head 5/16" - 18 x 1/2
22	2016P	Seat, Hex Head 5/16" - 18 x 1/2
23	1790J	Control Cover
24	6712P	Control Cover
25	6713P	Control Cover
26	6714P	Control Cover
27	6715P	Control Cover
28	6716P	Control Cover
29	6717P	Control Cover
30	6718P	Control Cover
31	6719P	Control Cover
32	6720P	Control Cover
33	6721P	Control Cover
34	6722P	Control Cover
35	1544J	Running Control Assy., (Inc. Knob - Remote Control No. 15, 24, 17)
36	6452R	Screw, Hex Washer Hd, Thd. Conting 1/4" - 20 x 1/2
37	6453R	Screw, Hex Washer Hd, Thd. Conting 1/4" - 20 x 1/2
38	6454R	Screw, Hex Washer Hd, Thd. Conting 1/4" - 20 x 1/2
39	6455R	Screw, Hex Washer Hd, Thd. Conting 1/4" - 20 x 1/2
40	6456R	Screw, Hex Washer Hd, Thd. Conting 1/4" - 20 x 1/2
41	651J	Decal - Dash, Instructions
42	652J	Decal - Dash, Instructions
43	7150J	Hood Assy., (Inc. Hood Assembly, Hood Assy., Hood Assembly)
44	7430J	Battery Cap
45	7431J	Battery Cap
46	6547P	Screw, Thd. Conting 1/4" - 20 x 3/4
47	6548P	Screw, Thd. Conting 1/4" - 20 x 3/4
48	7115J	Bracket
49	1839J	Bracket
50	1840J	Bracket
51	2271P	Bracket
52	7193J	Bracket
53	2054J	Bracket
54	2055J	Bracket
55	7191J	Bracket
56	7192J	Bracket
57	2056J	Bracket
58	2057J	Bracket
59	2058J	Bracket
60	2059J	Bracket
61	2060J	Bracket
62	2061J	Bracket
63	2062J	Bracket
64	2063J	Bracket
65	2064J	Bracket
66	2065J	Bracket
67	2066J	Bracket
68	2067J	Bracket
69	2068J	Bracket
70	2069J	Bracket
71	2070J	Bracket
72	2071J	Bracket

*STANDARD HARDWARE—PURCHASE LOCALLY

REPAIR PARTS

ELECTRIC & ENGINE



36" RIDING LAWN TRACTOR—MODEL NUMBER L0238AR

REPAIR PARTS

ELECTRIC & ENGINE

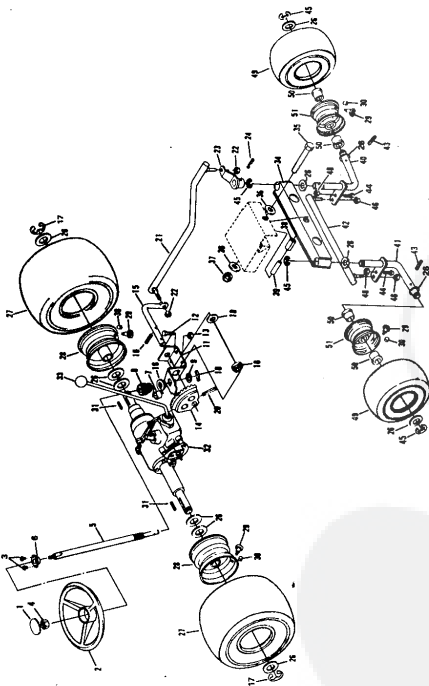
KEY NO.	PART NO.	DESCRIPTION
1	3228P	Screw, Machine Truss Head
2	6452R	Screw, Hex Washer Hd, Thd. Conting 1/4" - 20 x 1/2
3	7327S	Headlight Support
4	7328S	Headlight Support
5	561P	Headlight Support
6	7145P	Headlight Support
7	7146P	Headlight Support
8	3356P	Screw, Machine Phillips Head
9	1797J	Ignition Switch (Inc. Ref. No. 12)
10	6458R	Screw, Hex Washer Hd, Thd. Conting 1/4" - 20 x 1/2
11	7194J	Terminal Cover
12	7195J	Terminal Cover
13	5384P	Terminal Cover
14	5385P	Terminal Cover
15	1008P	Terminal Cover
16	5386P	Terminal Cover
17	5387P	Terminal Cover
18	5388P	Terminal Cover
19	5389P	Terminal Cover
20	5390P	Terminal Cover
21	2281	Battery Box
22	2282	Battery Box
23	2283	Battery Box
24	2284	Battery Box
25	2285	Battery Box
26	2286	Battery Box
27	2287	Battery Box
28	2288	Battery Box
29	2289	Battery Box
30	2290	Battery Box
31	2291	Battery Box
32	2292	Battery Box
33	2293	Battery Box
34	2294	Battery Box
35	2295	Battery Box
36	2296	Battery Box
37	67748R	Wax Harness
38	67749R	Wax Harness
39	67750R	Wax Harness
40	67751R	Wax Harness
41	67752R	Wax Harness
42	22707	Wax Harness
43	7768R	Wax Harness
44	7769R	Wax Harness
45	7770R	Wax Harness
46	7771R	Wax Harness
47	7772R	Wax Harness
48	7773R	Wax Harness
49	7774R	Wax Harness
50	7775R	Wax Harness
51	7776R	Wax Harness
52	7777R	Wax Harness
53	7778R	Wax Harness
54	7779R	Wax Harness
55	7780R	Wax Harness
56	7781R	Wax Harness
57	7782R	Wax Harness
58	7783R	Wax Harness
59	7784R	Wax Harness
60	7785R	Wax Harness
61	7786R	Wax Harness
62	7787R	Wax Harness
63	7788R	Wax Harness
64	7789R	Wax Harness
65	7790R	Wax Harness
66	7791R	Wax Harness
67	7792R	Wax Harness
68	7793R	Wax Harness
69	7794R	Wax Harness
70	7795R	Wax Harness
71	7796R	Wax Harness
72	7797R	Wax Harness
73	7798R	Wax Harness
74	7799R	Wax Harness
75	7800R	Wax Harness

*STANDARD HARDWARE—PURCHASE LOCALLY

OPTIONAL EQUIPMENT
Spark Arrestor Muller LA248R

REPAIR PARTS

STEERING AND WHEELS



38" RIDING LAWN TRACTOR-MODEL NUMBER L0289AR

REPAIR PARTS

STEERING AND WHEELS

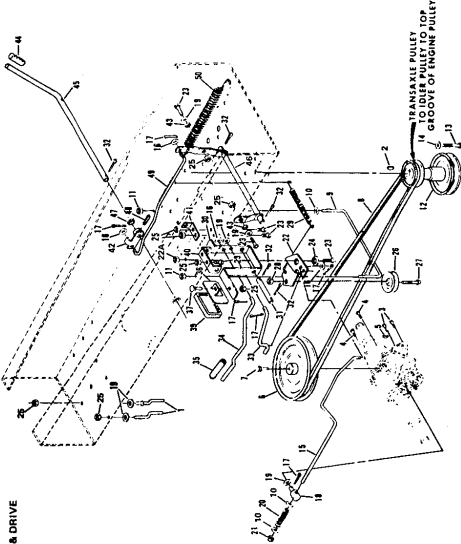
KEY NO.	PART NO.	DESCRIPTION
1	1114J	Steering Wheel Inset
2	506J	Steering Wheel, 8 1/2" Metal Screw
3	5014P	Hub, 1 1/2" Top All Ball
4	794191A	Transaxle Assembly Model 143.058A
5	1585J	Nut, Hex 5/16" x 1 1/2" UNF
6	1585J	Bushing
7	1585J	Pinion Gear
8	74881	Pinion Gear, 1 1/2" x 1 1/2" x 1 1/2" Ga.
9	74881	Steering Bracket, 1 1/2" x 1 1/2" x 3/4"
10	52379	Steering Pin, 3/16" x 18" x 3/4"
11	74577	Steering Bracket, 1 1/2" x 1 1/2" x 1 1/2" Ga.
12	74577	Steering Pin, 3/16" x 18" x 3/4"
13	578P	Nut, Lock 5/16" - 18 UNC
14	1818P	Steering Rod
15	1326J	Steering Rod
16	71208	Bushing
17	71208	Bushing
18	1818P	Steering Rod
19	1818P	Steering Rod
20	73446	Drag Link, 3/8" x 3/4" UNF
21	71219	Steering Arm, 3/8" x 3/4" UNF
22	71185	Steering Arm Assembly
23	71185	Steering Arm Assembly
24	1522P	Washer, 7/32" x 1 1/4" x 1/16 Ga.
25	1522P	Washer, 7/32" x 1 1/4" x 1/16 Ga.
26	1522P	Washer, 7/32" x 1 1/4" x 1/16 Ga.
27	71652	Tire (18.00" 8.00" x 8)
28	71652	Tire

* STANDARD HARDWARE - PURCHASE LOCALLY

REPAIR PARTS

CLUTCH-BRAKE & DRIVE

38" RIDING LAWN TRACTOR-MODEL NUMBER L0289AR



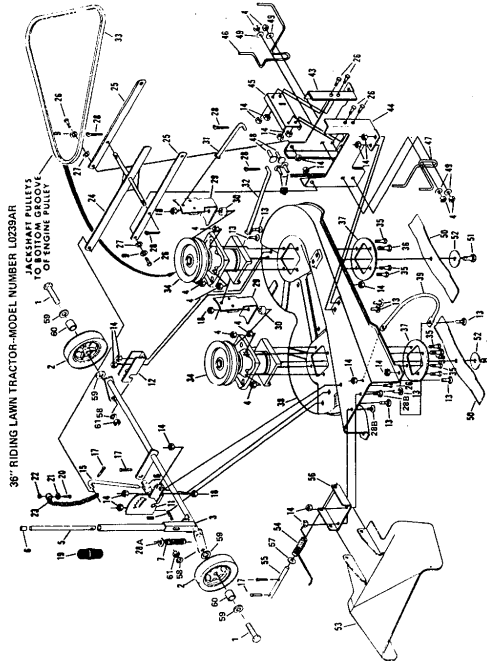
REPAIR PARTS

CLUTCH-BRAKE & DRIVE

KEY NO.	PART NO.	DESCRIPTION
1	71200	Bolt Guide
2	6503J	Key, Woodruff No. 6
3	6059P	5/16" x 1 1/2" x 3/4" Nut
4	6059P	Screw, Hex Head w/Washer
5	52659	Washer, 1/2" x 7/8" x 1/16 Ga.
6	6059P	Nut, Lock 5/16" - 18 UNC
7	6059P	Screw, Machine w/Washer
8	73794	1/4" x 20 x 3/4" Ga. 5
9	71241	Mid Bolt Guide
10	71241	Mid Bolt Guide
11	545P	Locknut, 3/8" - 16 x 1 1/2" Ga.
12	71623	Sulley, Engine
13	71623	Sulley, Engine
14	15189	Washer, 3/32" x 2 1/4" x 1/16 Ga.
15	73392	Brake Rod, 1/4" x 6 Ga.
16	73392	Brake Rod, 1/4" x 6 Ga.
17	2502P	Washer, 3/32" x 2 1/4" x 1/16 Ga.
18	71238	Tension
19	71238	Tension
20	71239	Locknut w/Washer, 3/8" - 16 UNC
21	591P	Brake Shoe
22	588P	Locknut w/Washer, 5/16" - 18 UNC
23	30109	*Bolt, Hex Head 5/16" - 18 x 3/4
24	71202	Bushing
25	67400	Nut, Lock 5/16" - 18 UNC
26	67400	*Bolt, Hex Head 2 - 8 - 16 x 1 - 1/2
27	5027P	Spring, 16 Ga.
28	2044J	Foot Pedal
29	71223	Front Shoe
30	71223	Front Shoe
31	71223	*Center Pin, 1 3/4 x 1
32	2506P	*Center Pin, 1 3/4 x 1
33	2506P	*Center Pin, 1 3/4 x 1
34	372J	Park Brake Rod
35	372J	Park Brake Rod
36	71222	Clutch Pedal
37	18P	*Bolt, Carriage 5/16" - 18 x 3/4
38	18P	*Bolt, Carriage 5/16" - 18 x 3/4
39	71189	Clutch Pedal
40	71189	Clutch Pedal
41	71189	Clutch Pedal
42	73229	Switch Bracket
43	71196	Spring, 16 Ga.
44	71196	Spring, 16 Ga.
45	71242	Clutch Handle
46	15189	Clutch Arm Assembly
47	15189	Clutch Arm Assembly
48	52239	Spring Pin, 3/16" x 1
49	52239	Spring Pin, 3/16" x 1
50	71248	Spring

* STANDARD HARDWARE - PURCHASE LOCALLY

REPAIR PARTS



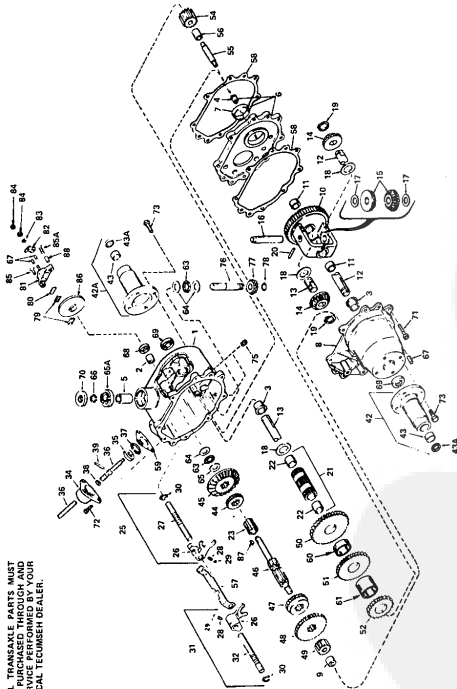
36" RIDING LAWN TRACTOR—MODEL NUMBER L023BAR
MOWER
14, 15 NOT SHOWN IN THIS VIEW
TO BOTTOM GROOVE
OF ENGINE PULLEY

REPAIR PARTS

KEY NO.	PART NO.	DESCRIPTION	KEY NO.	PART NO.	DESCRIPTION
1	3199P	Hex Bolt 3/8" x 2 1/4" x 3/4" Gr. 5	29	677A46	Blade Assembly
2	671A134	Clamp Nut	30	71522	Blade Spring
3	545P	Blade	31	71522	Blade R.H.
4	545P	Blade	32	71524	Blade L.H.
5	671A134	Clamp Nut	33	671A134	Blade R.H.
6	671A134	Clamp Nut	34	671A134	Blade L.H.
7	671A134	Clamp Nut	35	671A134	Blade R.H.
8	671A134	Clamp Nut	36	671A134	Blade L.H.
9	1599P	Washer 1/2" x 3/4" x 1/8" Gr. 5	37	71574	Blade R.H.
10	1599P	Washer 1/2" x 3/4" x 1/8" Gr. 5	38	71574	Blade L.H.
11	671A134	Clamp Nut	39	71574	Blade R.H.
12	671A134	Clamp Nut	40	71574	Blade L.H.
13	671A134	Clamp Nut	41	71574	Blade R.H.
14	671A134	Clamp Nut	42	71574	Blade L.H.
15	671A134	Clamp Nut	43	71574	Blade R.H.
16	671A134	Clamp Nut	44	71574	Blade L.H.
17	671A134	Clamp Nut	45	71574	Blade R.H.
18	671A134	Clamp Nut	46	71574	Blade L.H.
19	671A134	Clamp Nut	47	71574	Blade R.H.
20	671A134	Clamp Nut	48	71574	Blade L.H.
21	671A134	Clamp Nut	49	71574	Blade R.H.
22	671A134	Clamp Nut	50	71574	Blade L.H.
23	671A134	Clamp Nut	51	71574	Blade R.H.
24	671A134	Clamp Nut	52	71574	Blade L.H.
25	671A134	Clamp Nut	53	71574	Blade R.H.
26	671A134	Clamp Nut	54	71574	Blade L.H.
27	671A134	Clamp Nut	55	71574	Blade R.H.
28	671A134	Clamp Nut	56	71574	Blade L.H.
29	671A134	Clamp Nut	57	71574	Blade R.H.
30	671A134	Clamp Nut	58	71574	Blade L.H.
31	671A134	Clamp Nut	59	71574	Blade R.H.
32	671A134	Clamp Nut	60	71574	Blade L.H.
33	671A134	Clamp Nut	61	71574	Blade R.H.

REPAIR PARTS

36" RIDING LAWN TRACTOR—MODEL NUMBER L023BAR
TRANSAKLE—MODEL NUMBER 143.658A



ALL TRANSAKLE PARTS MUST BE PURCHASED THROUGH AND SERVICE PERFORMED BY YOUR LOCAL TECHUMEN DEALER.

REPAIR PARTS

36" RIDING LAWN TRACTOR—MODEL NUMBER L023BAR
TRANSAKLE—MODEL NUMBER 143.658A

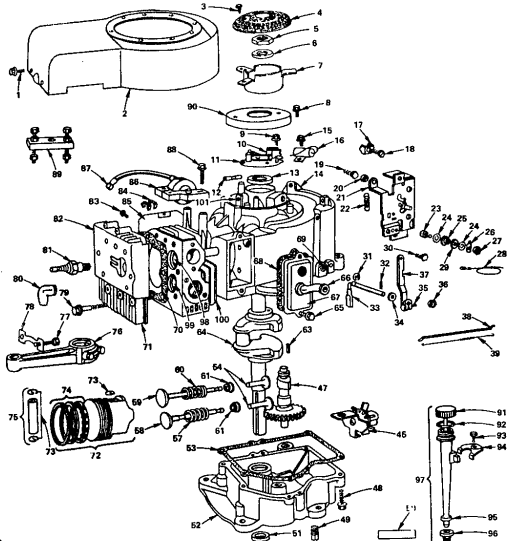
KEY NO.	PART NO.	DESCRIPTION	KEY NO.	PART NO.	DESCRIPTION
1	704191A	Complete Transaxle	45	78957	Gear, Bevel (23 Teeth)
2	78957	Gear, Axle, Transaxle (Inc. No's 1, 2, 3 & 5)	46	78957	Shaft, Input
3	78957	Bearing, Input	47	78957	Gear, Output (15 Teeth)
4	78957	Bearing, Output	48	78957	Shaft, Output
5	78957	Bearing, Intermediate	49	78957	Gear, Output (25 Teeth)
6	78957	Bearing, Output	50	78957	Shaft, Output
7	78957	Bearing, Input	51	78957	Gear, Output (15 Teeth)
8	78957	Bearing, Intermediate	52	78957	Shaft, Output
9	78957	Bearing, Output	53	78957	Gear, Output (25 Teeth)
10	78957	Bearing, Input	54	78957	Shaft, Output
11	78957	Bearing, Intermediate	55	78957	Gear, Output (15 Teeth)
12	78957	Bearing, Output	56	78957	Shaft, Output
13	78957	Bearing, Input	57	78957	Gear, Output (25 Teeth)
14	78957	Bearing, Intermediate	58	78957	Shaft, Output
15	78957	Bearing, Output	59	78957	Gear, Output (15 Teeth)
16	78957	Bearing, Input	60	78957	Shaft, Output
17	78957	Bearing, Intermediate	61	78957	Gear, Output (25 Teeth)
18	78957	Bearing, Output	62	78957	Shaft, Output
19	78957	Bearing, Input	63	78957	Gear, Output (15 Teeth)
20	78957	Bearing, Intermediate	64	78957	Shaft, Output
21	78957	Bearing, Output	65	78957	Gear, Output (25 Teeth)
22	78957	Bearing, Input	66	78957	Shaft, Output
23	78957	Bearing, Intermediate	67	78957	Gear, Output (15 Teeth)
24	78957	Bearing, Output	68	78957	Shaft, Output
25	78957	Bearing, Input	69	78957	Gear, Output (25 Teeth)
26	78957	Bearing, Intermediate	70	78957	Shaft, Output
27	78957	Bearing, Output	71	78957	Gear, Output (15 Teeth)
28	78957	Bearing, Input	72	78957	Shaft, Output
29	78957	Bearing, Intermediate	73	78957	Gear, Output (25 Teeth)
30	78957	Bearing, Output	74	78957	Shaft, Output
31	78957	Bearing, Input	75	78957	Gear, Output (15 Teeth)
32	78957	Bearing, Intermediate	76	78957	Shaft, Output
33	78957	Bearing, Output	77	78957	Gear, Output (25 Teeth)
34	78957	Bearing, Input	78	78957	Shaft, Output
35	78957	Bearing, Intermediate	79	78957	Gear, Output (15 Teeth)
36	78957	Bearing, Output	80	78957	Shaft, Output
37	78957	Bearing, Input	81	78957	Gear, Output (25 Teeth)
38	78957	Bearing, Intermediate	82	78957	Shaft, Output
39	78957	Bearing, Output	83	78957	Gear, Output (15 Teeth)
40	78957	Bearing, Input	84	78957	Shaft, Output
41	78957	Bearing, Intermediate	85	78957	Gear, Output (25 Teeth)
42	78957	Bearing, Output	86	78957	Shaft, Output
43	78957	Bearing, Input	87	78957	Gear, Output (15 Teeth)
44	78957	Bearing, Intermediate	88	78957	Shaft, Output

REPAIR PARTS

36" RIDING LAWN TRACTOR-MODEL NUMBER L0239AR
BRIGGS & STRATTON 10 H.P. ENGINE-MODEL NO. 220707, TYPE NO. 0134-01

CYLINDER, CRANKSHAFT AND ENGINE BASE GROUP

ALL ENGINE PARTS MUST BE PURCHASED THROUGH AND SERVICE PERFORMED BY YOUR LOCAL BRIGGS AND STRATTON DEALER.



REPAIR PARTS

36" RIDING LAWN TRACTOR-MODEL NUMBER L0239AR
BRIGGS & STRATTON 10 H.P. ENGINE-MODEL NO. 220707, TYPE NO. 0134-01

CYLINDER, CRANKSHAFT AND ENGINE BASE GROUP

KEY NO.	PART NO.	DESCRIPTION	KEY NO.	PART NO.	DESCRIPTION
1	93158	Screw - Blower Housing Mounting Sem	57	26829	Spring - Exhaust Valve
2	381566	Housing - Blower	58	231533	Valve - Exhaust
3	38098	Screw - Sem	59	261452	Valve - Intake
4	227562	Screen - Flush Rotating	60	65206	Spring - Intake Valve
5	92584	Nut - Hex	61	221596	Retainer - Intake Valve
6	229885	Washer - Spring	62	61760	Key - Flywheel
7	225641	Cap - Screw Mounting	63	61605	Crankshaft
8	93014	Screw - Sem	64	93304	Screw - Sem
9	93296	Cap - Screw Mounting	65	280100	Tube - Breather
10	26018	Spring - Breather Arm	67	391406	Breather Assembly
11	591984	Breaker As'y - Ignition (Inc. No. 10)	68	27803	Gasket - Valve Cover
12	65704	Puncher - Breaker Point	69	231055	Bushing - Gov. Crank (1 1/4" I.D.)
13	391085	Seal - Oil	70	271075	Gasket - Cylinder Head
14	393593	Cylinder As'y. (Inc. No. 13)	71	212366	Head - Cylinder
15	93042	Screw - Sem	72	391285	Piston As'y. - Standard (Inc. No.'s. 73 & 74)
16	391782	Condenser	73	391287	Piston As'y. - 0.10" O.S.
17	221535	Clamp - Gaining	74	391288	Piston As'y. - 0.20" O.S.
18	93496	Screw - Sem	75	391289	Piston As'y. - 0.30" O.S.
19	93688	Screw - Control Bracket Mounting	76	269524	Lock - Piston Pin
20	231038	Screw - Control Bracket Mounting	77	391290	Ring Set - Piston - Std.
21	390662	Plate - Gov. Control	78	391781	Ring Set - Piston - 0.10" O.S.
22	291306	Spring - Governor	79	391782	Ring Set - Piston - 0.20" O.S.
23	91920	Screw - Terminating	80	391783	Ring Set - Piston - 0.30" O.S.
24	92591	Washer - Lock - Shakeproof	81	299561	Pin As'y. - Piston - Std. (Inc. No. 73)
25	66554	Collar - Insulating	82	391286	Pin As'y. - Piston - 0.05" O.S.
26	93722	Terminal - Spade	83	66560	Lock - Conn. Rod Screw
27	90576	Nut - Hex B - 32	84	92920	Screw - Conn. Rod
28	391802	Wire - Ground	85	222259	Lock - Conn. Rod Screw
29	66088	Washer - Insulating	86	93723	NOTE: 3/16" Stud - Cylinder Head
30	93572	Retainer - E-Ring	87	22865	Washer
31	83307	Retainer - E-Ring	88	66538	Elbow - Spark Plug
32	83266	Collar - Main Pin	89	239318	Plug - Spark (1 - 1/2" High - 37 - 42 MM)
33	231058	Crank - Governor (1/4" Dia.)	90	222725	NOTE: Spark Plug use Ignition Cable
34	222450	Washer - Gov. Crank (1/4" I.D.)	91	222726	Terminal - Spade
35	92613	Ball - Governor Lever	92	222727	Cover - Cylinder Head
36	231082	Nut - Hex 10 - 24	93	222728	Screw - Cylinder Head Mtg. Sem
37	391723	Link - Governor	94	222729	Screw - Cylinder Head Mtg. Sem
38	261198	Level As'y. - Governor (for 1/4" Dia. Crank) (Inc. No.'s. 35 & 36)	95	222730	NOTE: Spark Plug use Ignition Cable
39	261197	Spring - Governor Link	96	222731	Clip - Wire
40	391764	Oil Slinger - Gov. Gear & Bracket As'y.	97	222732	Spring - Governor
41	212796	Gear - Cam	98	222733	NOTE: Spark Plug use Ignition Cable
42	93586	Screw - Spring Mounting Sem	99	222734	Terminal - Ignition Cable
43	91084	Plug - Oil Drain	100	63381	Screw - Armature Mounting Sem
44	393411	Gasket - Seal	101	10299	Filler - Flywheel
45	291875	Seal - Oil	102	222309	Cover - Breaker Point
46	391784	Sump - Oil (Inc. No.'s. 51 & 53)	103	391841	Cap and Dipstick - Oil Filler
47	270828	*Gasket - Crankcase Cover - 1/64" Thick	104	222740	Seal - Filler Cap
48	270816	*Gasket - Crankcase Cover - 0.05" Thick	105	93804	Screw - Clamp Mtg.
49	270916	*Gasket - Crankcase Cover - .009" Thick	106	222502	Clamp - Oil Filler Tube
50	261193	Tappet - Valve	107	93810	Tube - Oil Filler
51	261193	Tappet - Valve	108	66838	Seal - Filler Tube
52	261193	Tappet - Valve	109	392057	Filler Group - Oil
53	261193	Tappet - Valve	110	261463	Intake Valve Seat
54	261193	Tappet - Valve	111	211681	Exhaust Valve Seat
55	261193	Tappet - Valve	112	230881	Exhaust Valve Stem Guide
56	261193	Tappet - Valve	113	23513	Puncher - Bushing

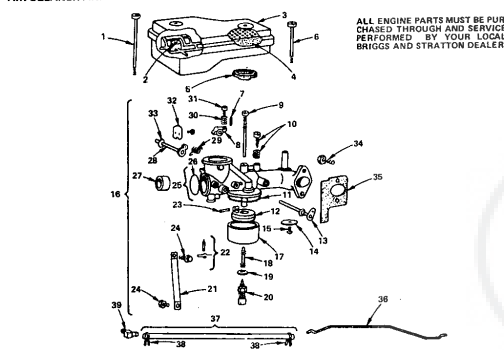
*STANDARD HARDWARE-PURCHASE LOCALLY

REPAIR PARTS

36" RIDING LAWN TRACTOR-MODEL NUMBER L0239AR
BRIGGS & STRATTON 10 H.P. ENGINE-MODEL NO. 220707, TYPE NO. 0134-01

AIR CLEANER AND CARBURETOR

ALL ENGINE PARTS MUST BE PURCHASED THROUGH AND SERVICE PERFORMED BY YOUR LOCAL BRIGGS AND STRATTON DEALER.



KEY NO.	PART NO.	DESCRIPTION	KEY NO.	PART NO.	DESCRIPTION
1	93323	Screw - Air Cleaner	24	93572	Screw
2	260118	Support - Air Cleaner Element	25	291787	Body As'y. - Carburetor (Inc. No. 26)
3	391786	Cleaner As'y. - Air (Inc. No.'s. 2 & 4)	26	221987	*Plug - Wash
4	270843	Element - Air Cleaner	27	211960	Venturi - Carburetor
5	270853	Gasket - Air Cleaner	28	360584	Shaft & Lever - Choke
6	93822	Screw - Air Cleaner	29	261116	Spring - Choke Return
7	93943	Pin - Throttle Stop	30	26157	Spring - Throttle Adjustment
8	211712	Stop - Throttle	31	91920	Screw - Machine, Fil. Hd. 8 - 32 x 5/8"
9	299740	Nozzle - Carburetor	32	222010	Valve - Choke
10	297861	Valve As'y. - Carburetor Idle	33	270382	Washer - Choke Shaft
11	270511	*Gasket - Float Bowl	34	93357	Screw - Carburetor Mtg.
12	299707	Float - Carburetor	35	270872	*Gasket - Carburetor Mtg.
13	391512	Shaft & Lever - Throttle	36	261274	LFA - Choke
14	222658	Valve - Throttle	37	298004	Pipe - Fuel (Inc. No. 38)
15	93499	Screw - Throttle & Choke Valve Mtg. Sem	38	93003	Clamp - Fuel Pipe
16	393410	Carburetor As'y. (Choke-A-Matic) (Inc. No.'s. 7 thru 33)	39	67218	Connector - Fuel Pipe
17	221985	Bowl - Float			
18	250632	*Screw - Nozzle			
19	222014	Washer - Float Bowl			
20	391238	Valve - Needle			
21	222311	Bracket - Carburetor			
22	299598	Valve - Fuel Inlet			
23	230898	*Pin - Float Hinge			

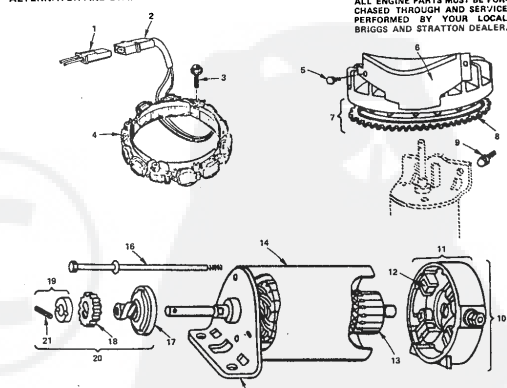
*INCLUDED IN CARBURETOR OVERHAUL KIT - PART NO. 298652
*INCLUDED IN GASKET SET - PART NO. 393411

REPAIR PARTS

36" RIDING LAWN TRACTOR-MODEL NUMBER L0239AR
BRIGGS & STRATTON 10 H.P. ENGINE-MODEL NO. 220707, TYPE NO. 0134-01

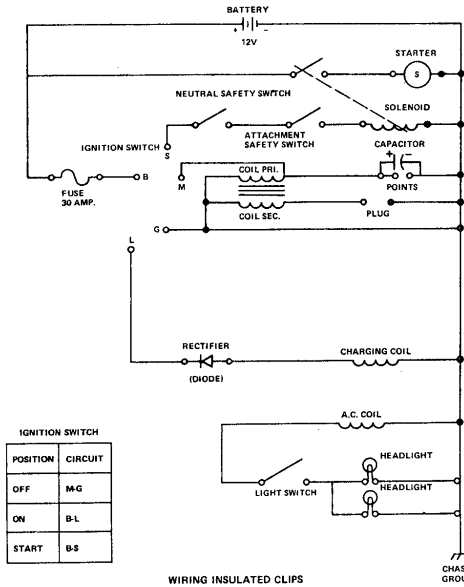
ALTERNATOR AND STARTER MOTOR GROUP

ALL ENGINE PARTS MUST BE PURCHASED THROUGH AND SERVICE PERFORMED BY YOUR LOCAL BRIGGS AND STRATTON DEALER.



KEY NO.	PART NO.	DESCRIPTION	KEY NO.	PART NO.	DESCRIPTION
1	393262	Alt. Harness Assembly	10	392749	Motor and Drive As'y. (12 Volts (Inc. No.'s. 11 thru 20)
2	393456	Diode and Conn. Assembly	11	390846	End Cap As'y., Commutator (Inc. No. 12)
3	93521	Screw - Sem	12	391705	Brush As'y.
4	393474	Stator - Alternator	13	391705	Armature As'y.
5	93410	Screw - Sem	14	392744	Housing As'y.
6	390233	Cover and Shield - Starter	15	392061	End Cap As'y., Drive
7	391968	Flywheel & Ring Gear As'y. - Magnet (Inc. No. 14)	16	391705	Thru Bolt As'y.
8	392134	Gear - Ring (Inc. Mounting Parts)	17	391125	Clutch As'y.
9	93523	Screw - Sem	18	280104	Gear
			19	391452	Retainer & Pin
			20	391461	Drive As'y. (Inc. No.'s. 17, 18 & 19)
			21	93754	Roll Pin

36" RIDING LAWN TRACTOR-MODEL NUMBER L0239AR
SCHEMATIC DIAGRAM

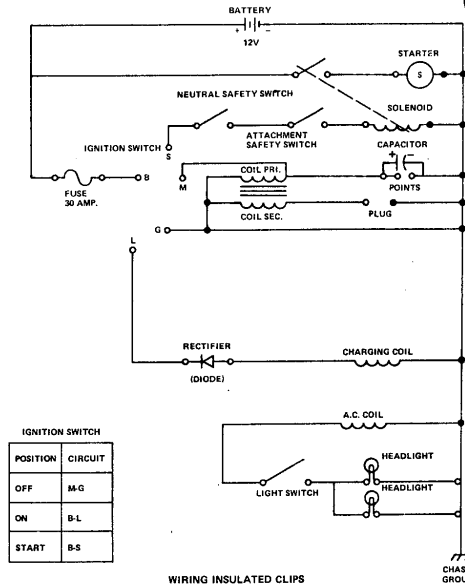


If Insulated Clips were removed for servicing of unit, they should be replaced to properly secure your wiring. There are three Insulated Clips on your Tractor.

1. L.H. side of Tractor for safety switch wires (Key No. 28, page 14).
2. R.H. side of Tractor securing wire harness and cable wire (Key No. 31, page 14).
3. Headlight wire (Key No. 26, page 14).

REPAIR PARTS

36" RIDING LAWN TRACTOR-MODEL NUMBER L1219AR
SCHEMATIC DIAGRAM

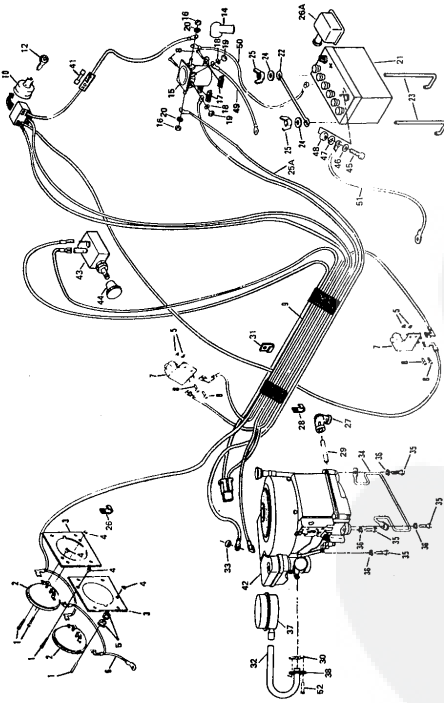


If Insulated Clips were removed for servicing of unit, they should be replaced to properly secure your wiring. There are three Insulated Clips on your Tractor.

1. L.H. side of Tractor for safety switch wires (Key No. 28, page 14).
2. R.H. side of Tractor securing wire harness and cable wire (Key No. 31, page 14).
3. Headlight wire (Key No. 26, page 14).

36" RIDING LAWN TRACTOR-MODEL NUMBER L1219AR

REPAIR PARTS
ELECTRIC & ENGINE



36" RIDING LAWN TRACTOR-MODEL NUMBER L1219AR

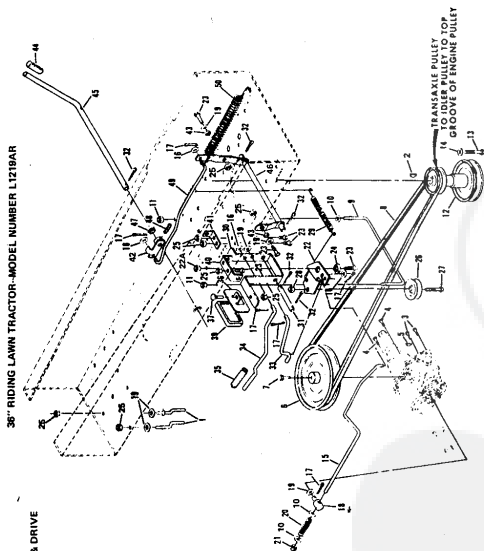
REPAIR PARTS
ELECTRIC & ENGINE

KEY NO.	PART NO.	DESCRIPTION
1	3220P	Spark Plug
2	6450R	Coil
3	7315R	Headlight
4	4821A	Headlight Socket
5	7110R	Headlight Lens
6	7110S	Headlight Lens Gasket
7	7765R	Wiring Harness
8	522P	Wiring Harness
9	522P	Wiring Harness
10	4426A	Ignition Switch (Inc. Ref. No. 12)
11	7567H	Key Set
12	7567H	Key Set
13	7567H	Key Set
14	7567H	Key Set
15	7764R	Solenoid
16	7764R	Solenoid
17	678P	Washer, Lock No. 10 - 24 UNF
18	1006P	Washer, Lock No. 10 - 24 UNF
19	1006P	Washer, Lock No. 10 - 24 UNF
20	1006P	Washer, Lock No. 10 - 24 UNF
21	67187	Lockwasher 5/16
22	1507P	Battery Rod
23	1507P	Battery Rod
24	1507P	Battery Rod
25	67187	Washer, Lock No. 10 - 24 UNF
26	67187	Washer, Lock No. 10 - 24 UNF
27	67187	Washer, Lock No. 10 - 24 UNF
28	2521R	Terminal Cover
29	2521R	Terminal Cover
30	2521R	Terminal Cover

*STANDARD HARDWARE-PURCHASE LOCALLY
OPTIONAL EQUIPMENT
Spark Arrestor/Muffler LAC48AR

REPAIR PARTS

CLUTCH-BRAKE & DRIVE



REF. NO.	PART NO.	DESCRIPTION
1	71000	Blk Guide
2	60599	Screw, Hex Head w/Washer
3	60599	Screw, Hex Head w/Washer
4	6000P	Washer, 1/8 x 1-1/8
5	52889	Pulley, 1/8 x 1-1/8
6	72842	Pulley, 1/8 x 1-1/8
7	60599	Screw, Hex Head w/Washer
8	72394	Washer, 1/8 x 1-1/8
9	1611P	Washer, 1/8 x 1-1/8
10	1611P	Washer, 1/8 x 1-1/8
11	71000	Blk Guide
12	71000	Blk Guide
13	6000P	Screw, Machine w/Ext. Lockwasher
14	1610P	Washer, 3/8 x 1-1/4 x 6 Ga.
15	1607P	Washer, 3/8 x 1-1/4 x 6 Ga.
16	2000P	Washer, 1/2 x 3/4 x 16 Ga.
17	1600P	Washer, 1/2 x 3/4 x 16 Ga.
18	1600P	Washer, 1/2 x 3/4 x 16 Ga.
19	1600P	Washer, 1/2 x 3/4 x 16 Ga.
20	5100P	Washer, 1/2 x 3/4 x 16 Ga.
21	71001	Blk Guide
22	71001	Blk Guide
23	500P	Spring

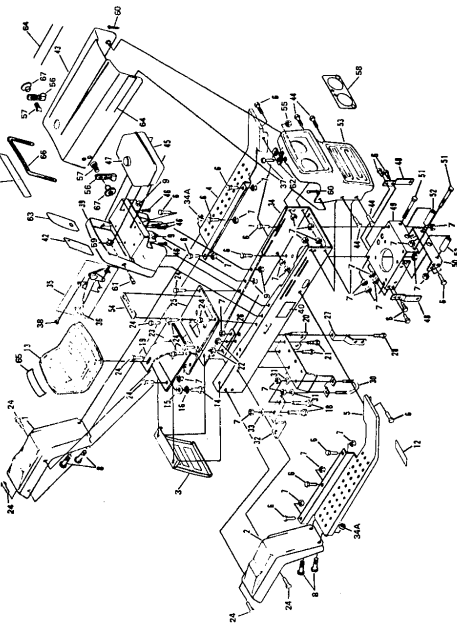
*STANDARD HARDWARE - PURCHASE LOCALLY

REPAIR PARTS

CLUTCH-BRAKE & DRIVE

REPAIR PARTS

CHASSIS



REF. NO.	PART NO.	DESCRIPTION
1	3000P	Blk Head 5/16 - 18 x 3.4
2	3000P	Blk Head 5/16 - 18 x 3.4
3	1538L	Nut, Lock 5/16 - 18 UNC
4	1540L	Nut, Lock 5/16 - 18 UNC
5	1540L	Nut, Lock 5/16 - 18 UNC
6	5710P	Nut, Lock 5/16 - 18 UNC
7	5710P	Nut, Lock 5/16 - 18 UNC
8	3000P	Blk Head 5/16 - 18 x 3.4
9	1135L	Nut, Lock 5/16 - 18 x 1/2
10	1135L	Nut, Lock 5/16 - 18 x 1/2
11	1135L	Nut, Lock 5/16 - 18 x 1/2
12	1135L	Nut, Lock 5/16 - 18 x 1/2
13	1135L	Nut, Lock 5/16 - 18 x 1/2
14	3000P	Blk Head 5/16 - 18 x 3.4
15	1540P	Nut, Lock 5/16 - 18 x 1/2
16	3012P	Nut, Lock 5/16 - 18 x 1/2
17	3012P	Nut, Lock 5/16 - 18 x 1/2
18	3012P	Nut, Lock 5/16 - 18 x 1/2
19	3012P	Nut, Lock 5/16 - 18 x 1/2
20	7201P	Washer 1/2 x 3/4 x 16 Ga.
21	5000P	Washer 1/2 x 3/4 x 16 Ga.
22	1750L	Washer 1/2 x 3/4 x 16 Ga.
23	1750L	Washer 1/2 x 3/4 x 16 Ga.
24	5000P	Washer 1/2 x 3/4 x 16 Ga.
25	6710P	Washer 1/2 x 3/4 x 16 Ga.
26	6710P	Washer 1/2 x 3/4 x 16 Ga.
27	7110P	Washer 1/2 x 3/4 x 16 Ga.
28	7110P	Washer 1/2 x 3/4 x 16 Ga.
29	7110P	Washer 1/2 x 3/4 x 16 Ga.
30	7110P	Washer 1/2 x 3/4 x 16 Ga.
31	7110P	Washer 1/2 x 3/4 x 16 Ga.
32	7110P	Washer 1/2 x 3/4 x 16 Ga.
33	1610P	Washer 1/2 x 3/4 x 16 Ga.
34	1610P	Washer 1/2 x 3/4 x 16 Ga.
35	1610P	Washer 1/2 x 3/4 x 16 Ga.
36	1610P	Washer 1/2 x 3/4 x 16 Ga.
37	1610P	Washer 1/2 x 3/4 x 16 Ga.
38	1610P	Washer 1/2 x 3/4 x 16 Ga.
39	1610P	Washer 1/2 x 3/4 x 16 Ga.
40	1610P	Washer 1/2 x 3/4 x 16 Ga.
41	1610P	Washer 1/2 x 3/4 x 16 Ga.
42	1610P	Washer 1/2 x 3/4 x 16 Ga.
43	1610P	Washer 1/2 x 3/4 x 16 Ga.
44	1610P	Washer 1/2 x 3/4 x 16 Ga.
45	1610P	Washer 1/2 x 3/4 x 16 Ga.
46	1610P	Washer 1/2 x 3/4 x 16 Ga.
47	1610P	Washer 1/2 x 3/4 x 16 Ga.
48	1610P	Washer 1/2 x 3/4 x 16 Ga.
49	1610P	Washer 1/2 x 3/4 x 16 Ga.
50	1610P	Washer 1/2 x 3/4 x 16 Ga.
51	1610P	Washer 1/2 x 3/4 x 16 Ga.
52	1610P	Washer 1/2 x 3/4 x 16 Ga.
53	1610P	Washer 1/2 x 3/4 x 16 Ga.
54	1610P	Washer 1/2 x 3/4 x 16 Ga.
55	1610P	Washer 1/2 x 3/4 x 16 Ga.
56	1610P	Washer 1/2 x 3/4 x 16 Ga.
57	1610P	Washer 1/2 x 3/4 x 16 Ga.
58	1610P	Washer 1/2 x 3/4 x 16 Ga.
59	1610P	Washer 1/2 x 3/4 x 16 Ga.
60	1610P	Washer 1/2 x 3/4 x 16 Ga.
61	1610P	Washer 1/2 x 3/4 x 16 Ga.
62	1610P	Washer 1/2 x 3/4 x 16 Ga.
63	1610P	Washer 1/2 x 3/4 x 16 Ga.
64	1610P	Washer 1/2 x 3/4 x 16 Ga.
65	1610P	Washer 1/2 x 3/4 x 16 Ga.
66	1610P	Washer 1/2 x 3/4 x 16 Ga.
67	1610P	Washer 1/2 x 3/4 x 16 Ga.

*STANDARD HARDWARE - PURCHASE LOCALLY

REPAIR PARTS

CHASSIS

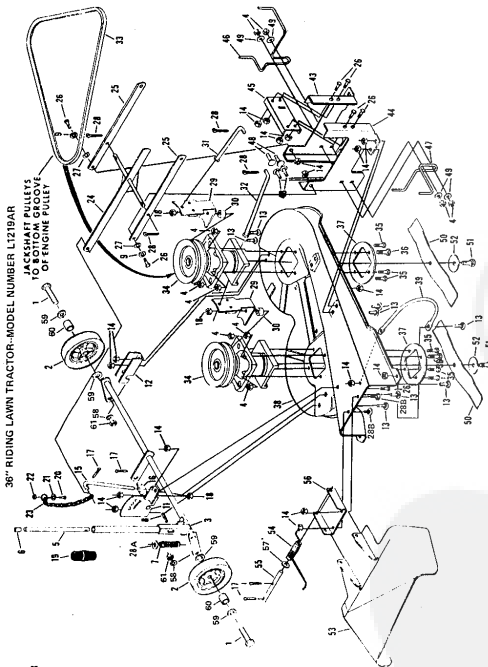
REPAIR PARTS

REF. NO.	PART NO.	DESCRIPTION
1	1540J	Nut, Lock 5/16 - 18 x 1/2
2	1540J	Nut, Lock 5/16 - 18 x 1/2
3	1540J	Nut, Lock 5/16 - 18 x 1/2
4	1540J	Nut, Lock 5/16 - 18 x 1/2
5	1540J	Nut, Lock 5/16 - 18 x 1/2
6	1540J	Nut, Lock 5/16 - 18 x 1/2
7	1540J	Nut, Lock 5/16 - 18 x 1/2
8	1540J	Nut, Lock 5/16 - 18 x 1/2
9	1540J	Nut, Lock 5/16 - 18 x 1/2
10	1540J	Nut, Lock 5/16 - 18 x 1/2
11	1540J	Nut, Lock 5/16 - 18 x 1/2
12	1540J	Nut, Lock 5/16 - 18 x 1/2
13	1540J	Nut, Lock 5/16 - 18 x 1/2
14	1540J	Nut, Lock 5/16 - 18 x 1/2
15	1540J	Nut, Lock 5/16 - 18 x 1/2
16	1540J	Nut, Lock 5/16 - 18 x 1/2
17	1540J	Nut, Lock 5/16 - 18 x 1/2
18	1540J	Nut, Lock 5/16 - 18 x 1/2
19	1540J	Nut, Lock 5/16 - 18 x 1/2
20	1540J	Nut, Lock 5/16 - 18 x 1/2
21	1540J	Nut, Lock 5/16 - 18 x 1/2
22	1540J	Nut, Lock 5/16 - 18 x 1/2
23	1540J	Nut, Lock 5/16 - 18 x 1/2
24	1540J	Nut, Lock 5/16 - 18 x 1/2
25	1540J	Nut, Lock 5/16 - 18 x 1/2
26	1540J	Nut, Lock 5/16 - 18 x 1/2
27	1540J	Nut, Lock 5/16 - 18 x 1/2
28	1540J	Nut, Lock 5/16 - 18 x 1/2
29	1540J	Nut, Lock 5/16 - 18 x 1/2
30	1540J	Nut, Lock 5/16 - 18 x 1/2
31	1540J	Nut, Lock 5/16 - 18 x 1/2
32	1540J	Nut, Lock 5/16 - 18 x 1/2
33	1540J	Nut, Lock 5/16 - 18 x 1/2
34	1540J	Nut, Lock 5/16 - 18 x 1/2
35	1540J	Nut, Lock 5/16 - 18 x 1/2
36	1540J	Nut, Lock 5/16 - 18 x 1/2
37	1540J	Nut, Lock 5/16 - 18 x 1/2
38	1540J	Nut, Lock 5/16 - 18 x 1/2
39	1540J	Nut, Lock 5/16 - 18 x 1/2
40	1540J	Nut, Lock 5/16 - 18 x 1/2
41	1540J	Nut, Lock 5/16 - 18 x 1/2
42	1540J	Nut, Lock 5/16 - 18 x 1/2
43	1540J	Nut, Lock 5/16 - 18 x 1/2
44	1540J	Nut, Lock 5/16 - 18 x 1/2
45	1540J	Nut, Lock 5/16 - 18 x 1/2
46	1540J	Nut, Lock 5/16 - 18 x 1/2
47	1540J	Nut, Lock 5/16 - 18 x 1/2
48	1540J	Nut, Lock 5/16 - 18 x 1/2
49	1540J	Nut, Lock 5/16 - 18 x 1/2
50	1540J	Nut, Lock 5/16 - 18 x 1/2
51	1540J	Nut, Lock 5/16 - 18 x 1/2
52	1540J	Nut, Lock 5/16 - 18 x 1/2
53	1540J	Nut, Lock 5/16 - 18 x 1/2
54	1540J	Nut, Lock 5/16 - 18 x 1/2
55	1540J	Nut, Lock 5/16 - 18 x 1/2
56	1540J	Nut, Lock 5/16 - 18 x 1/2
57	1540J	Nut, Lock 5/16 - 18 x 1/2
58	1540J	Nut, Lock 5/16 - 18 x 1/2
59	1540J	Nut, Lock 5/16 - 18 x 1/2
60	1540J	Nut, Lock 5/16 - 18 x 1/2
61	1540J	Nut, Lock 5/16 - 18 x 1/2
62	1540J	Nut, Lock 5/16 - 18 x 1/2
63	1540J	Nut, Lock 5/16 - 18 x 1/2
64	1540J	Nut, Lock 5/16 - 18 x 1/2
65	1540J	Nut, Lock 5/16 - 18 x 1/2
66	1540J	Nut, Lock 5/16 - 18 x 1/2
67	1540J	Nut, Lock 5/16 - 18 x 1/2

*STANDARD HARDWARE - PURCHASE LOCALLY

REPAIR PARTS

MOWER



38" RIDING LAWN TRACTOR—MODEL NUMBER L1219AR

REPAIR PARTS

MOWER

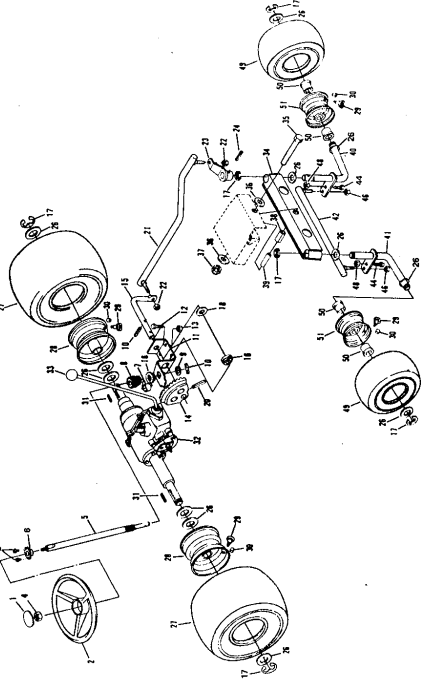
38" RIDING LAWN TRACTOR—MODEL NUMBER L1219AR

REF. NO.	PART NO.	DESCRIPTION	REF. NO.	PART NO.	DESCRIPTION
1	3198P	Hex Bolt 3/8" x 2 1/2" - 24 Gr. 5	29	877A46	Brake Assembly
2	877A134	Front Rod Assembly	30	877A47	Brake Disc
3	165J1	Nut, Lock 3/8" - 16 UNC	31	71525	Brake Rod - R.H.
4	849R9	Cap - Lever Plunger	32	71526	Brake Rod - L.H.
5	850R1	Pin - Drive Lock	33	877A181	Jackshaft Assembly
6	850R1	Pin - Drive Lock	34	877A181	Jackshaft Assembly
7	87327	Outer Pin 1.022 x 3/4 x 16 Gr. 5	35	3023P	Roller - Hex Head 3/8" - 16 x 1 1/2
8	850R1	Pin - Drive Lock	36	3023P	Roller - Hex Head 3/8" - 16 x 1 1/2
9	850R1	Pin - Drive Lock	37	71575	Pin - Hex Head 3/8" - 16 x 1 1/2
10	850R1	Pin - Drive Lock	38	71647	Housing Stud
11	850R1	Pin - Drive Lock	39	71647	Housing Stud
12	850R1	Pin - Drive Lock	40	71647	Housing Stud
13	850R1	Pin - Drive Lock	41	71647	Housing Stud
14	850R1	Pin - Drive Lock	42	71647	Housing Stud
15	850R1	Pin - Drive Lock	43	71647	Housing Stud
16	850R1	Pin - Drive Lock	44	71647	Housing Stud
17	850R1	Pin - Drive Lock	45	71647	Housing Stud
18	850R1	Pin - Drive Lock	46	71647	Housing Stud
19	850R1	Pin - Drive Lock	47	71647	Housing Stud
20	850R1	Pin - Drive Lock	48	71647	Housing Stud
21	850R1	Pin - Drive Lock	49	71647	Housing Stud
22	850R1	Pin - Drive Lock	50	71647	Housing Stud
23	850R1	Pin - Drive Lock	51	71647	Housing Stud
24	850R1	Pin - Drive Lock	52	71647	Housing Stud
25	850R1	Pin - Drive Lock	53	71647	Housing Stud
26	850R1	Pin - Drive Lock	54	71647	Housing Stud
27	850R1	Pin - Drive Lock	55	71647	Housing Stud
28	850R1	Pin - Drive Lock	56	71647	Housing Stud
29	850R1	Pin - Drive Lock	57	71647	Housing Stud
30	850R1	Pin - Drive Lock	58	71647	Housing Stud
31	850R1	Pin - Drive Lock	59	71647	Housing Stud
32	850R1	Pin - Drive Lock	60	71647	Housing Stud
33	850R1	Pin - Drive Lock	61	71647	Housing Stud

* STANDARD HARDWARE—PURCHASE LOCALLY

REPAIR PARTS

STEERING AND WHEELS



36" RIDING LAWN TRACTOR—MODEL NUMBER L1219AR

REPAIR PARTS

STEERING AND WHEELS

36" RIDING LAWN TRACTOR—MODEL NUMBER L1219AR

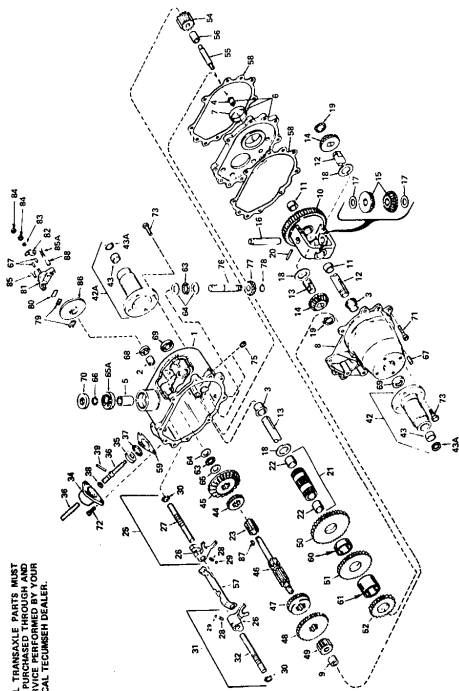
REF. NO.	PART NO.	DESCRIPTION	REF. NO.	PART NO.	DESCRIPTION
1	1114J	Steering Wheel Insert	29	86139	Valve Stem
2	506J	Steering Wheel	30	59192	Valve Cup
3	506J	Steering Wheel	31	794151A	Transaxle Assembly Model 143.68A
4	506J	Steering Wheel	32	794151A	Transaxle Assembly Model 143.68A
5	1554J	Ball Joint	33	55862	Rocker Bar Assembly (See Pages 24 and 25)
6	1554J	Ball Joint	34	877A81	Rocker Bar Assembly (See Pages 24 and 25)
7	1554J	Ball Joint	35	877A81	Rocker Bar Assembly (See Pages 24 and 25)
8	74851	Pin - Hex Head 3/8" - 16 x 1 1/2	36	87155	Wheel, 17/32" x 7/8" x 16 Gr.
9	74851	Pin - Hex Head 3/8" - 16 x 1 1/2	37	87155	Wheel, 17/32" x 7/8" x 16 Gr.
10	52379	Spring Pin 3/16" x 1 1/2	38	87155	Wheel, 17/32" x 7/8" x 16 Gr.
11	52379	Spring Pin 3/16" x 1 1/2	39	71188	Pin - Spacer
12	52379	Spring Pin 3/16" x 1 1/2	40	72237	Kingpin Assembly - L.H.
13	52379	Spring Pin 3/16" x 1 1/2	41	72237	Kingpin Assembly - R.H.
14	52379	Spring Pin 3/16" x 1 1/2	42	72237	Kingpin Assembly - L.H.
15	52379	Spring Pin 3/16" x 1 1/2	43	72237	Kingpin Assembly - R.H.
16	52379	Spring Pin 3/16" x 1 1/2	44	72237	Kingpin Assembly - L.H.
17	52379	Spring Pin 3/16" x 1 1/2	45	72237	Kingpin Assembly - R.H.
18	52379	Spring Pin 3/16" x 1 1/2	46	582P	Nut, Lock 5/16" - 24 UNF
19	52379	Spring Pin 3/16" x 1 1/2	47	582P	Nut, Lock 5/16" - 24 UNF
20	52379	Spring Pin 3/16" x 1 1/2	48	71851	Pin - Hex Head 3/8" - 16 x 1 1/2
21	52379	Spring Pin 3/16" x 1 1/2	49	71851	Pin - Hex Head 3/8" - 16 x 1 1/2
22	52379	Spring Pin 3/16" x 1 1/2	50	71851	Pin - Hex Head 3/8" - 16 x 1 1/2
23	52379	Spring Pin 3/16" x 1 1/2	51	877A88	Roller - Hex Head 3/8" - 16 x 1 1/2

* STANDARD HARDWARE—PURCHASE LOCALLY

REPAIR PARTS

36" RIDING LAWN TRACTOR-MODEL NUMBER L1219A
TRANSAKLE-MODEL NUMBER 143.658A

ALL TRANSAKLE PARTS MUST BE PURCHASED THROUGH YOUR LOCAL TECUMSEH DEALER.



KEY NO.	PART NO.	DESCRIPTION
45	718007	Gear, Bevel (33 Teeth)
46	718118	Shaft, Drive & B&A
47	718008	Gear, Sliding (16 & 18)
48	718009	Gear, Sliding (16 & 18)
49	718140	Gear, Countershaft (38 Teeth)
50	718141	Gear, Countershaft (38 Teeth)
51	718142	Gear, Countershaft (35 Teeth)
52	718005	Shaft, Reverse Idler
53	718006	Shaft, Reverse Idler
54	718007	Shaft, Reverse Idler
55	718008	Shaft, Reverse Idler
56	718009	Shaft, Reverse Idler
57	718010	Shaft, Reverse Idler
58	718011	Shaft, Reverse Idler
59	718012	Shaft, Reverse Idler
60	718013	Shaft, Reverse Idler
61	718014	Shaft, Reverse Idler
62	718015	Shaft, Reverse Idler
63	718016	Shaft, Reverse Idler
64	718017	Shaft, Reverse Idler
65	718018	Shaft, Reverse Idler
66	718019	Shaft, Reverse Idler
67	718020	Shaft, Reverse Idler
68	718021	Shaft, Reverse Idler
69	718022	Shaft, Reverse Idler
70	718023	Shaft, Reverse Idler
71	718024	Shaft, Reverse Idler
72	718025	Shaft, Reverse Idler
73	718026	Shaft, Reverse Idler
74	718027	Shaft, Reverse Idler
75	718028	Shaft, Reverse Idler
76	718029	Shaft, Reverse Idler
77	718030	Shaft, Reverse Idler
78	718031	Shaft, Reverse Idler
79	718032	Shaft, Reverse Idler
80	718033	Shaft, Reverse Idler
81	718034	Shaft, Reverse Idler
82	718035	Shaft, Reverse Idler
83	718036	Shaft, Reverse Idler
84	718037	Shaft, Reverse Idler
85	718038	Shaft, Reverse Idler
86	718039	Shaft, Reverse Idler
87	718040	Shaft, Reverse Idler
88	718041	Shaft, Reverse Idler
89	718042	Shaft, Reverse Idler
90	718043	Shaft, Reverse Idler
91	718044	Shaft, Reverse Idler
92	718045	Shaft, Reverse Idler
93	718046	Shaft, Reverse Idler
94	718047	Shaft, Reverse Idler
95	718048	Shaft, Reverse Idler
96	718049	Shaft, Reverse Idler
97	718050	Shaft, Reverse Idler

REPAIR PARTS

36" RIDING LAWN TRACTOR-MODEL NUMBER L1219A
TRANSAKLE-MODEL NUMBER 143.658A

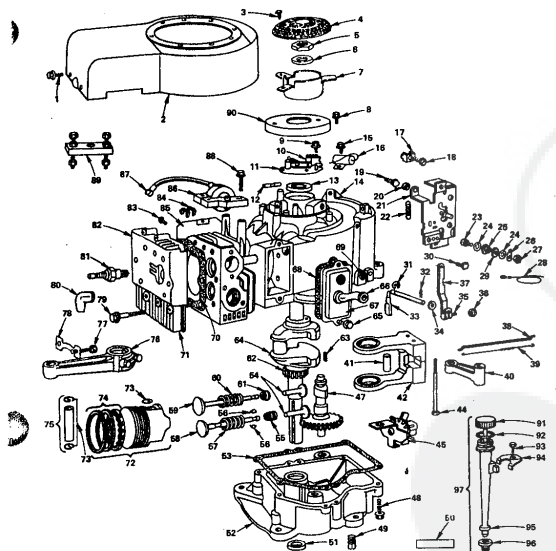
KEY NO.	PART NO.	DESCRIPTION
1	78491A	Complete Transakle
2	78000	Gear, Axle, Transakle (Inc. No's. 2, 3 & 9)
3	78001	Gear, Axle, Transakle (Inc. No's. 2, 3 & 9)
4	78002	Bearing, Bronze
5	78003	Bearing, Bronze
6	78004	Bearing, Bronze
7	78005	Bearing, Bronze
8	78006	Bearing, Bronze
9	78007	Bearing, Bronze
10	78008	Bearing, Bronze
11	78009	Bearing, Bronze
12	78010	Bearing, Bronze
13	78011	Bearing, Bronze
14	78012	Bearing, Bronze
15	78013	Bearing, Bronze
16	78014	Bearing, Bronze
17	78015	Bearing, Bronze
18	78016	Bearing, Bronze
19	78017	Bearing, Bronze
20	78018	Bearing, Bronze
21	78019	Bearing, Bronze
22	78020	Bearing, Bronze
23	78021	Bearing, Bronze
24	78022	Bearing, Bronze
25	78023	Bearing, Bronze
26	78024	Bearing, Bronze
27	78025	Bearing, Bronze
28	78026	Bearing, Bronze
29	78027	Bearing, Bronze
30	78028	Bearing, Bronze
31	78029	Bearing, Bronze
32	78030	Bearing, Bronze
33	78031	Bearing, Bronze
34	78032	Bearing, Bronze
35	78033	Bearing, Bronze
36	78034	Bearing, Bronze
37	78035	Bearing, Bronze
38	78036	Bearing, Bronze
39	78037	Bearing, Bronze
40	78038	Bearing, Bronze
41	78039	Bearing, Bronze
42	78040	Bearing, Bronze
43	78041	Bearing, Bronze
44	78042	Bearing, Bronze

REPAIR PARTS

36" RIDING LAWN TRACTOR-MODEL NUMBER L1219A
BRIGGS & STRATTON 11 H.P. ENGINE-MODEL NO. 252707, TYPE NO. 0172-01

CYLINDER, CRANKSHAFT AND ENGINE BASE GROUP

ALL ENGINE PARTS MUST BE PURCHASED THROUGH AND SERVICE PERFORMED BY YOUR LOCAL BRIGGS AND STRATTON DEALER.



REPAIR PARTS

36" RIDING LAWN TRACTOR-MODEL NUMBER L1219A
BRIGGS & STRATTON 11 H.P. ENGINE-MODEL NO. 252707, TYPE NO. 0172-01

CYLINDER, CRANKSHAFT AND ENGINE BASE GROUP

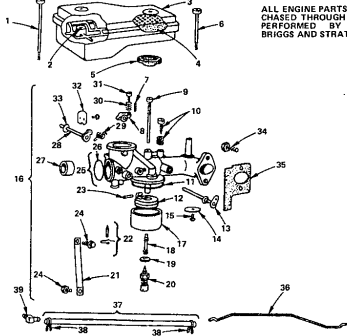
KEY NO.	PART NO.	DESCRIPTION	KEY NO.	PART NO.	DESCRIPTION
1	93158	Screw - Blower Housing Mounting Sem	51	91675	Seal - Oil
2	93159	Screw - Blower Housing Mounting Sem	52	39174	Seal - Oil (Inc. No's. 51 & 53)
3	93160	Screw - Blower Housing Mounting Sem	53	27068	Gasket - Crankcase Cover - 105" Thick
4	22352	Screen - Fuel Rotating	54	27069	Gasket - Crankcase Cover - 105" Thick
5	82284	Nut - Hex	55	27070	Gasket - Crankcase Cover - 105" Thick
6	22353	Washer - Spring	56	27071	Tapco Valve
7	22354	Washer - Spring	57	28828	Retainer - Exhaust Valve
8	93014	Screw - Sem	58	28829	Spring - Exhaust Valve
9	93776	Screw - Breaker Adjusting Sem	59	28830	Valve - Intake
10	29019	Spring - Breaker Arm	60	21506	Retainer - Intake Valve
11	391284	Breaker Assy - Ignition (Inc. No. 10)	61	61760	Key - Flywheel
12	65104	Plunger - Breaker Point	62	391294	Crankshaft
13	391086	Seal - Oil	63	93394	Screw - Sem
14	391087	Cylinder Assy - (Inc. No. 13)	64	203100	Tube - Breather
15	93042	Condenser	65	391408	Breather Assembly
16	39172	Clamp - Casing	66	27863	Gasket - Valve Cover
17	211535	Screw - Sem	67	21505	Bushing - Gov. Crank (1/4" I.D.)
18	93486	Screw - Control Bracket Mounting	68	271075	Gasket - Cylinder Head
19	93488	Screw - Control Bracket Mounting	69	112000	Head - Cylinder
20	231039	Spacer - Control Bracket Mounting	70	391285	Piston Assy - Standard (Inc. No's. 73 & 74)
21	390622	Plate - Gov. Control	71	391286	Piston Assy - 010" O.S.
22	261305	Spring - Governor	72	391287	Piston Assy - 020" O.S.
23	81920	Screw - Terminal	73	391288	Lock - Piston Pin
24	92791	Washer - Lock - Shakeproof	74	391289	Ring Set - Piston - Std.
25	86554	Collar - Insulating	75	391290	Ring Set - Piston - 010" O.S.
26	93722	Terminal - Spade	76	391291	Ring Set - Piston - 020" O.S.
27	90676	Nut - Hex 8-32	77	296691	Pin Assy - Piston - 020" O.S.
28	391802	Wire - Ground	78	391775	Rod Assy - Connecting (Inc. 77 & 78)
29	66958	Washer - Insulating	79	92669	Screw - Conn. Rod
30	93572	Washer - E-Ring	80	222725	Lock - Conn. Rod Screw
31	93287	Retainer - E-Ring	81	222726	Screw - Cylinder Head (Long)
32	93306	Cotter - Hair Pin	82	222727	NOTE: 93781 Stud - Cylinder Head
33	231058	Crank - Governor (1/4" Dia.)	83	93163	Elbow - Spark Plug
34	222450	Washer - Gov. Crank (1/4" I.D.)	84	22744	Plug - Spark (1 1/2" High - 37 - 42 MM)
35	86513	Soft - Governor Lever	85	22745	NOTE: Spark Plugs use Ignition Cable
36	231082	Nut - Hex 10-24	86	38668	Terminal - Ignition Cable
37	391733	Lever Assy - Governor (for 1/4" Dia. Crank) (Inc. No's. 35 & 36)	87	18203	Screw - Armature Mounting Sem
38	261186	Link - Governor	88	18204	Puller - Flywheel
39	291197	Spring - Governor Link	89	222309	Cover - Breaker Point
40	211875	Link - Counterweight	90	391841	Cap and Dipstick - Oil Filter
41	286205	Counterweight Assy (Inc. No. 41)	91	270820	Seal - Filter Cap
42	93275	Screw - Counterweight	92	93804	Screw - Clamp Mfg
43	391764	Oil Slinger, Gov. Gear & Bracket Assy	93	22502	Clamp - Oil Filter Tube
44	212795	Gear - Cam	94	98014	Tube - Oil Filter
45	93585	Screw - Sump Mounting Sem	95	98838	Seal - Filter Tube
46	91084	Plug - Oil Drain	96	392037	Filter Group - Oil
47	393411	Gasket Set	97		

*STANDARD HARDWARE-PURCHASE LOCALLY

REPAIR PARTS

36" RIDING LAWN TRACTOR - MODEL NUMBER L1219AR
BRIGGS & STRATTON 11 H.P. ENGINE - MODEL NO. 252707, TYPE NO. 0172-01

AIR CLEANER AND CARBURETOR



ALL ENGINE PARTS MUST BE PURCHASED THROUGH AND SERVICE PERFORMED BY YOUR LOCAL BRIGGS AND STRATTON DEALER.

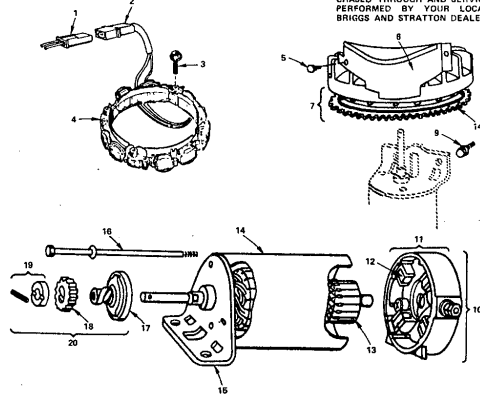
KEY NO.	PART NO.	DESCRIPTION	KEY NO.	PART NO.	DESCRIPTION
1	93323	Screw - Air Cleaner	24	93572	Screw
2	280118	Support - Air Cleaner Element	25	391787	Body Ass'y. - Carburetor (Inc. No. 26)
3	391786	Cleaner Ass'y. - Air (Inc. No's. 2 & 4)	26	221997	*Plug - Wash
4	270843	Element - Air Cleaner	27	211960	Venturi - Carburetor
5	270853	Gasket - Air Cleaner	28	390694	Shaft & Lever - Choke
6	93322	Screw - Air Cleaner	29	261115	Spring - Choke Return
7	93043	Pin - Throttle Stop	30	26157	Spring - Throttle Adjustment
8	211712	Stop - Throttle	31	91520	Screw - Machine, Flat, Hd. 8 - 32 x 5/8"
9	296740	Nozzle - Carburetor	32	222010	Valve Choke
10	292681	*Valve Ass'y. - Carburetor Idle	33	270382	Washer - Choke Shaft
11	270511	*Gasket - Float Bowl	34	93321	Screw - Carburetor Mtg.
12	299707	Float - Carburetor	35	270872	*Gasket - Carburetor Mtg.
13	391512	Shaft & Lever - Throttle	36	291224	Link - Choke
14	222858	Valve - Throttle	37	296004	Pipe - Fuel (Inc. No. 38)
15	93499	Screw - Throttle & Choke Valve Mtg.	38	93053	Clamp - Fuel Pipe
18	393410	Carburetor Ass'y. (Choke-A-Matic) (Inc. No's. 7 thru 23)	39	67218	Connector - Fuel Pipe
17	221995	Bowl - Float			
18	230652	*Screw - Nozzle			
19	222014	*Washer - Float Bowl			
20	391233	*Valve - Needle			
21	222511	Bracket - Carburetor			
22	290098	*Valve - Fuel Inlet			
23	230096	*Pin - Float Hinge			

*INCLUDED IN CARBURETOR OVERHAUL KIT - PART NO. 299852
*INCLUDED IN GASKET SET - PART NO. 393411

REPAIR PARTS

36" RIDING LAWN TRACTOR - MODEL NUMBER L1219AR
BRIGGS & STRATTON 11 H.P. ENGINE - MODEL NO. 252707, TYPE NO. 0172-01

ALTERNATOR AND STARTER MOTOR GROUP

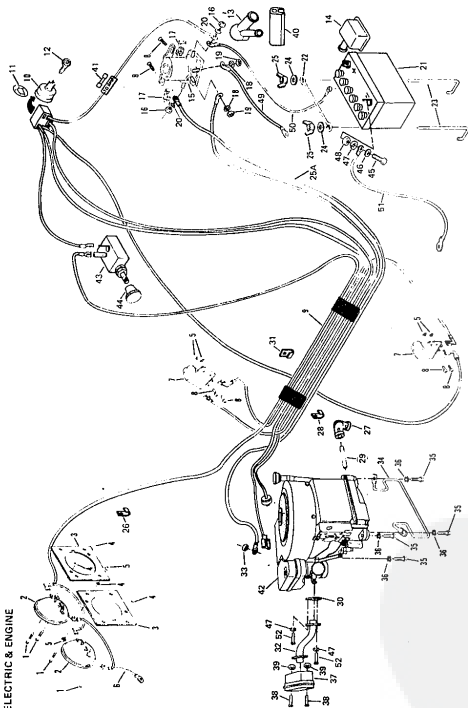


ALL ENGINE PARTS MUST BE PURCHASED THROUGH AND SERVICE PERFORMED BY YOUR LOCAL BRIGGS AND STRATTON DEALER.

KEY NO.	PART NO.	DESCRIPTION	KEY NO.	PART NO.	DESCRIPTION
1	393362	Alt. Harness Assembly	10	392749	Motor and Drive Ass'y. (12 Volt) (Inc. No's. 11 thru 20)
2	393456	Diode and Conn. Assembly	11	390846	End Cap Ass'y. Commutator (Inc. No. 12)
3	93621	Screw - Sem	12	391705	Brush Ass'y.
4	394474	Stator - Alternator	13	390233	Cover and Shield - Starter
5	53410	Screw - Sem	14	292744	Flywheel & Ring Gear Ass'y. - Magneto (Inc. No. 14)
6	390233	Cover and Shield - Starter	15	391705	Thru Bolt Ass'y.
7	391698	Flywheel & Ring Gear Ass'y. - Magneto (Inc. No. 14)	16	280104	Gear
8	391134	Gear - Ring (Inc. Mounting Parts)	17	391462	Retainer & Pin
9	93623	Screw - Sem	18	280104	Gear
			19	391461	Drive Ass'y. (Inc. No's. 17, 18 & 19)
			20	391461	Drive Ass'y. (Inc. No's. 17, 18 & 19)

REPAIR PARTS

ELECTRIC & ENGINE



REPAIR PARTS

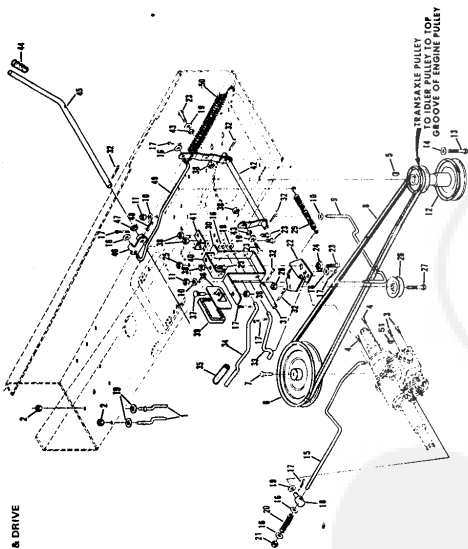
ELECTRIC & ENGINE

KEY NO.	PART NO.	DESCRIPTION	KEY NO.	PART NO.	DESCRIPTION
1	65421	Screw, Machine Truss Head	27	4017P	Sd. Elbow 90° 3/8 - 18 NPT
2	6452R	Washer, 1/2 x 1	28	3245R	Insulated Clip
3	23005	Headlight	29	27144	Exhaust Gasket
4	39113	Headlight Support - 24	30	27144	Exhaust Gasket
5	661P	Nut, Lock No. 10 - 24	31	93714	Exhaust Tube
6	39113	Headlight Support - 24	32	59480	Washer, 1/4 - 20
7	7756R	Safety Switch	33	59480	Washer, 1/4 - 20
8	3359P	Screw, Machine Phillips Head	34	9368P	*Washer, Lock 3/8
9	478	Wire Harness	35	1004P	Washer, Lock 3/8
10	6557R	Terminal Identifier	36	2715	Marbler
11	6557R	Terminal Identifier	37	2715	Marbler
12	2522H	Key-Set (Over) (Dual)	38	54922	Nut, Lock 5/16 - 18
13	2522H	Key-Set (Over) (Dual)	39	54922	Nut, Lock 5/16 - 18
14	2522H	Key-Set (Over) (Dual)	40	5347R	Frame - 20 Arms
15	2522H	Key-Set (Over) (Dual)	41	191707	Engine - Briggs and Stratton 8 H.P. (Inc. Paper 20 thru 28)
16	2522H	Key-Set (Over) (Dual)	42	7739R	Light Switch
17	608B1	Nut, Speed No. 10 - 24	43	1506P	*Washer 9/32 x 5/8 x 1/8 Gh.
18	5439P	Nut, Hex No. 10 - 32	44	391135	*Hex Nut 1/4 - 20
19	5439P	Nut, Hex No. 10 - 32	45	391135	*Hex Nut 1/4 - 20
20	2282P	Washer, 1/4 - 20	46	391135	*Hex Nut 1/4 - 20
21	2282P	Washer, 1/4 - 20	47	391135	*Hex Nut 1/4 - 20
22	2282P	Washer, 1/4 - 20	48	391135	*Hex Nut 1/4 - 20
23	2282P	Washer, 1/4 - 20	49	391135	*Hex Nut 1/4 - 20
24	2282P	Washer, 1/4 - 20	50	391135	*Hex Nut 1/4 - 20
25	2282P	Washer, 1/4 - 20	51	391135	*Hex Nut 1/4 - 20
26	2282P	Washer, 1/4 - 20	52	391135	*Hex Nut 1/4 - 20
27	2282P	Washer, 1/4 - 20	53	391135	*Hex Nut 1/4 - 20
28	2282P	Washer, 1/4 - 20	54	391135	*Hex Nut 1/4 - 20
29	2282P	Washer, 1/4 - 20	55	391135	*Hex Nut 1/4 - 20
30	2282P	Washer, 1/4 - 20	56	391135	*Hex Nut 1/4 - 20
31	2282P	Washer, 1/4 - 20	57	391135	*Hex Nut 1/4 - 20
32	2282P	Washer, 1/4 - 20	58	391135	*Hex Nut 1/4 - 20
33	2282P	Washer, 1/4 - 20	59	391135	*Hex Nut 1/4 - 20
34	2282P	Washer, 1/4 - 20	60	391135	*Hex Nut 1/4 - 20
35	2282P	Washer, 1/4 - 20	61	391135	*Hex Nut 1/4 - 20
36	2282P	Washer, 1/4 - 20	62	391135	*Hex Nut 1/4 - 20
37	2282P	Washer, 1/4 - 20	63	391135	*Hex Nut 1/4 - 20
38	2282P	Washer, 1/4 - 20	64	391135	*Hex Nut 1/4 - 20
39	2282P	Washer, 1/4 - 20	65	391135	*Hex Nut 1/4 - 20
40	2282P	Washer, 1/4 - 20	66	391135	*Hex Nut 1/4 - 20
41	2282P	Washer, 1/4 - 20	67	391135	*Hex Nut 1/4 - 20
42	2282P	Washer, 1/4 - 20	68	391135	*Hex Nut 1/4 - 20
43	2282P	Washer, 1/4 - 20	69	391135	*Hex Nut 1/4 - 20
44	2282P	Washer, 1/4 - 20	70	391135	*Hex Nut 1/4 - 20
45	2282P	Washer, 1/4 - 20	71	391135	*Hex Nut 1/4 - 20
46	2282P	Washer, 1/4 - 20	72	391135	*Hex Nut 1/4 - 20
47	2282P	Washer, 1/4 - 20	73	391135	*Hex Nut 1/4 - 20
48	2282P	Washer, 1/4 - 20	74	391135	*Hex Nut 1/4 - 20
49	2282P	Washer, 1/4 - 20	75	391135	*Hex Nut 1/4 - 20
50	2282P	Washer, 1/4 - 20	76	391135	*Hex Nut 1/4 - 20
51	2282P	Washer, 1/4 - 20	77	391135	*Hex Nut 1/4 - 20
52	2282P	Washer, 1/4 - 20	78	391135	*Hex Nut 1/4 - 20
53	2282P	Washer, 1/4 - 20	79	391135	*Hex Nut 1/4 - 20
54	2282P	Washer, 1/4 - 20	80	391135	*Hex Nut 1/4 - 20
55	2282P	Washer, 1/4 - 20	81	391135	*Hex Nut 1/4 - 20
56	2282P	Washer, 1/4 - 20	82	391135	*Hex Nut 1/4 - 20
57	2282P	Washer, 1/4 - 20	83	391135	*Hex Nut 1/4 - 20
58	2282P	Washer, 1/4 - 20	84	391135	*Hex Nut 1/4 - 20
59	2282P	Washer, 1/4 - 20	85	391135	*Hex Nut 1/4 - 20
60	2282P	Washer, 1/4 - 20	86	391135	*Hex Nut 1/4 - 20
61	2282P	Washer, 1/4 - 20	87	391135	*Hex Nut 1/4 - 20
62	2282P	Washer, 1/4 - 20	88	391135	*Hex Nut 1/4 - 20
63	2282P	Washer, 1/4 - 20	89	391135	*Hex Nut 1/4 - 20
64	2282P	Washer, 1/4 - 20	90	391135	*Hex Nut 1/4 - 20
65	2282P	Washer, 1/4 - 20	91	391135	*Hex Nut 1/4 - 20
66	2282P	Washer, 1/4 - 20	92	391135	*Hex Nut 1/4 - 20
67	2282P	Washer, 1/4 - 20	93	391135	*Hex Nut 1/4 - 20
68	2282P	Washer, 1/4 - 20	94	391135	*Hex Nut 1/4 - 20
69	2282P	Washer, 1/4 - 20	95	391135	*Hex Nut 1/4 - 20
70	2282P	Washer, 1/4 - 20	96	391135	*Hex Nut 1/4 - 20
71	2282P	Washer, 1/4 - 20	97	391135	*Hex Nut 1/4 - 20
72	2282P	Washer, 1/4 - 20	98	391135	*Hex Nut 1/4 - 20
73	2282P	Washer, 1/4 - 20	99	391135	*Hex Nut 1/4 - 20
74	2282P	Washer, 1/4 - 20	100	391135	*Hex Nut 1/4 - 20

*STANDARD HARDWARE PURCHASE LOCALLY

REPAIR PARTS

36" RIDING LAWN TRACTOR—MODEL NUMBER LZ21BAR
CLUTCH BRAKE & DRIVE



REPAIR PARTS

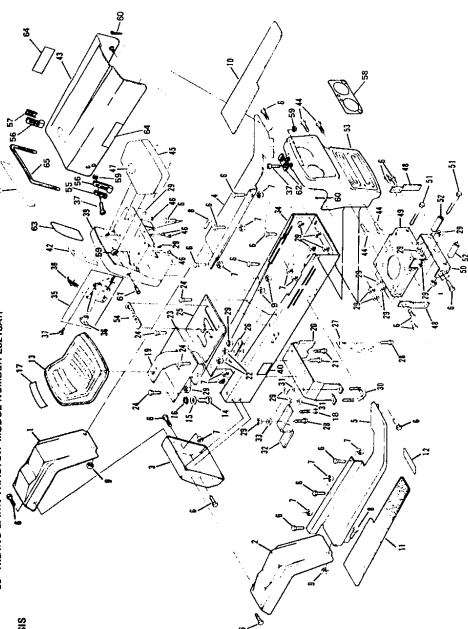
36" RIDING LAWN TRACTOR—MODEL NUMBER LZ21BAR
CLUTCH BRAKE & DRIVE

KEY PART NO.	DESCRIPTION	KEY PART NO.	DESCRIPTION
1	Roller Guide	23	*Nut, Hex Head 5/16 - 18 x 3/4
2	*Nut, Lock 5/16 - 18	24	Roller
3	*Screw, Hex Head w/Washer	25	*Nut, Lock 5/16 - 18
4	*Screw, Hex Head w/Washer	26	*Nut, Hex Head 3/8 - 16 x 1 - 1/2
5	*Key, Woodruff No. 6	27	*Spring, 1.50" Dia. x 1.50" H. x 1.50" W.
6	*Pulley, Transaxle	28	*Spring, 1.50" Dia. x 1.50" H. x 1.50" W.
7	*Washer, 3/8 x .750 x .063	29	*Spring, 1.50" Dia. x 1.50" H. x 1.50" W.
8	*Washer, 3/8 x .750 x .063	30	*Spring, 1.50" Dia. x 1.50" H. x 1.50" W.
9	*Washer, 3/8 x .750 x .063	31	*Spring, 1.50" Dia. x 1.50" H. x 1.50" W.
10	*Washer, 3/8 x .750 x .063	32	*Spring, 1.50" Dia. x 1.50" H. x 1.50" W.
11	*Washer, 3/8 x .750 x .063	33	*Spring, 1.50" Dia. x 1.50" H. x 1.50" W.
12	*Washer, 3/8 x .750 x .063	34	*Spring, 1.50" Dia. x 1.50" H. x 1.50" W.
13	*Washer, 3/8 x .750 x .063	35	*Spring, 1.50" Dia. x 1.50" H. x 1.50" W.
14	*Washer, 3/8 x .750 x .063	36	*Spring, 1.50" Dia. x 1.50" H. x 1.50" W.
15	*Washer, 3/8 x .750 x .063	37	*Spring, 1.50" Dia. x 1.50" H. x 1.50" W.
16	*Washer, 3/8 x .750 x .063	38	*Spring, 1.50" Dia. x 1.50" H. x 1.50" W.
17	*Washer, 3/8 x .750 x .063	39	*Spring, 1.50" Dia. x 1.50" H. x 1.50" W.
18	*Washer, 3/8 x .750 x .063	40	*Spring, 1.50" Dia. x 1.50" H. x 1.50" W.
19	*Washer, 3/8 x .750 x .063	41	*Spring, 1.50" Dia. x 1.50" H. x 1.50" W.
20	*Washer, 3/8 x .750 x .063	42	*Spring, 1.50" Dia. x 1.50" H. x 1.50" W.
21	*Washer, 3/8 x .750 x .063	43	*Spring, 1.50" Dia. x 1.50" H. x 1.50" W.
22	*Washer, 3/8 x .750 x .063	44	*Spring, 1.50" Dia. x 1.50" H. x 1.50" W.

*STANDARD HARDWARE—PURCHASE LOCALLY

REPAIR PARTS

36" RIDING LAWN TRACTOR—MODEL NUMBER LZ21BAR
CHASSIS



REPAIR PARTS

36" RIDING LAWN TRACTOR—MODEL NUMBER LZ21BAR
CHASSIS

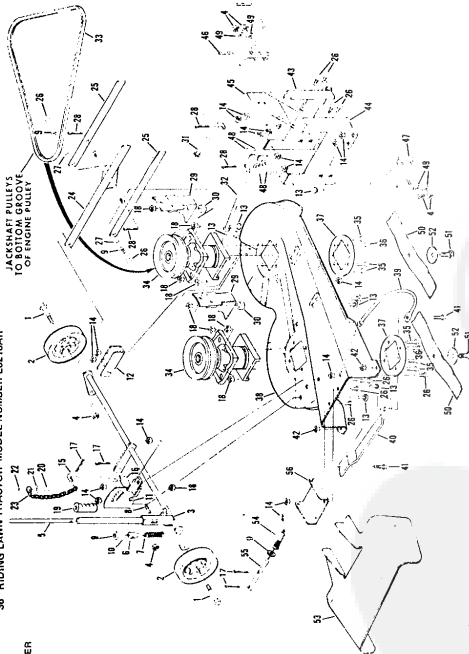
KEY PART NO.	DESCRIPTION	KEY PART NO.	DESCRIPTION
1	*Frame, L.H.	35	*Theft-Resistant Cover (H.C.)
2	*Frame, R.H.	36	*Theft-Resistant Cover (H.C.)
3	*Foot Rest, L.H.	37	*Theft-Resistant Cover (H.C.)
4	*Foot Rest, R.H.	38	*Theft-Resistant Cover (H.C.)
5	*Foot Rest, L.H.	39	*Theft-Resistant Cover (H.C.)
6	*Foot Rest, R.H.	40	*Theft-Resistant Cover (H.C.)
7	*Foot Rest, L.H.	41	*Theft-Resistant Cover (H.C.)
8	*Foot Rest, R.H.	42	*Theft-Resistant Cover (H.C.)
9	*Foot Rest, L.H.	43	*Theft-Resistant Cover (H.C.)
10	*Foot Rest, R.H.	44	*Theft-Resistant Cover (H.C.)
11	*Foot Rest, L.H.	45	*Theft-Resistant Cover (H.C.)
12	*Foot Rest, R.H.	46	*Theft-Resistant Cover (H.C.)
13	*Foot Rest, L.H.	47	*Theft-Resistant Cover (H.C.)
14	*Foot Rest, R.H.	48	*Theft-Resistant Cover (H.C.)
15	*Foot Rest, L.H.	49	*Theft-Resistant Cover (H.C.)
16	*Foot Rest, R.H.	50	*Theft-Resistant Cover (H.C.)
17	*Foot Rest, L.H.	51	*Theft-Resistant Cover (H.C.)
18	*Foot Rest, R.H.	52	*Theft-Resistant Cover (H.C.)
19	*Foot Rest, L.H.	53	*Theft-Resistant Cover (H.C.)
20	*Foot Rest, R.H.	54	*Theft-Resistant Cover (H.C.)
21	*Foot Rest, L.H.	55	*Theft-Resistant Cover (H.C.)
22	*Foot Rest, R.H.	56	*Theft-Resistant Cover (H.C.)
23	*Foot Rest, L.H.	57	*Theft-Resistant Cover (H.C.)
24	*Foot Rest, R.H.	58	*Theft-Resistant Cover (H.C.)
25	*Foot Rest, L.H.	59	*Theft-Resistant Cover (H.C.)
26	*Foot Rest, R.H.	60	*Theft-Resistant Cover (H.C.)
27	*Foot Rest, L.H.	61	*Theft-Resistant Cover (H.C.)
28	*Foot Rest, R.H.	62	*Theft-Resistant Cover (H.C.)
29	*Foot Rest, L.H.	63	*Theft-Resistant Cover (H.C.)
30	*Foot Rest, R.H.	64	*Theft-Resistant Cover (H.C.)
31	*Foot Rest, L.H.	65	*Theft-Resistant Cover (H.C.)
32	*Foot Rest, R.H.	66	*Theft-Resistant Cover (H.C.)
33	*Foot Rest, L.H.	67	*Theft-Resistant Cover (H.C.)
34	*Foot Rest, R.H.	68	*Theft-Resistant Cover (H.C.)

*STANDARD HARDWARE—PURCHASE LOCALLY

REPAIR PARTS

36" RIDING LAWN TRACTOR—MODEL NUMBER LB21BAR

MOWER



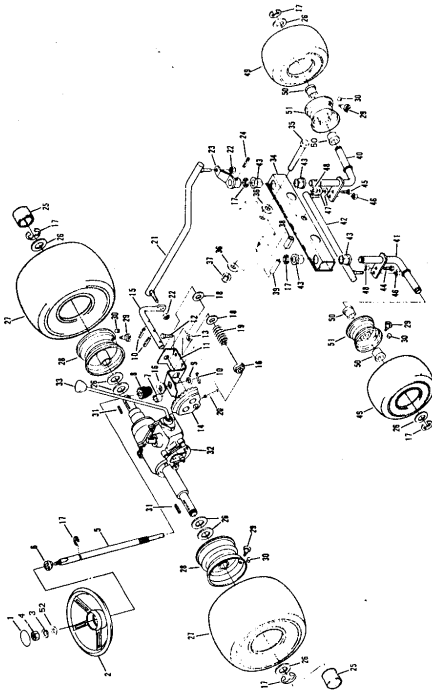
KEY NO.	PART NO.	DESCRIPTION
1	6053R	Axle Bolt
2	71071	Front Rod
3	71071	Front Rod Assembly
4	694A1	Nut, Lock 3/8 - 16
5	71071	Washer, 23/32 x 7/8 x .063
6	71071	Purser
7	71071	Spring Pin - Slotted 1/4 x 1 - 1/2
8	44990	Washer, 23/32 x 7/8 x .063
9	5999R	Washer, 23/32 x 7/8 x .063
10	72917	Clutch Assembly
11	72917	Clutch Assembly
12	597	Spring Pin - Slotted 1/4 x 1 - 1/2
13	597	Spring Pin - Slotted 1/4 x 1 - 1/2
14	6710R	Nut, Lock 5/16 - 18
15	6710R	Nut, Lock 5/16 - 18
16	71301	Washer, 23/32 x 7/8 x .063
17	71301	Washer, 23/32 x 7/8 x .063
18	71301	Washer, 23/32 x 7/8 x .063
19	71301	Washer, 23/32 x 7/8 x .063
20	71301	Washer, 23/32 x 7/8 x .063
21	71301	Washer, 23/32 x 7/8 x .063
22	71301	Washer, 23/32 x 7/8 x .063
23	71301	Washer, 23/32 x 7/8 x .063
24	71301	Washer, 23/32 x 7/8 x .063
25	71301	Washer, 23/32 x 7/8 x .063
26	71301	Washer, 23/32 x 7/8 x .063
27	71301	Washer, 23/32 x 7/8 x .063
28	2909P	Center Pin 1/8 x 1

*STANDARD HARDWARE—PURCHASE LOCALLY

REPAIR PARTS

36" RIDING LAWN TRACTOR—MODEL NUMBER LB21BAR

STEERING & WHEELS



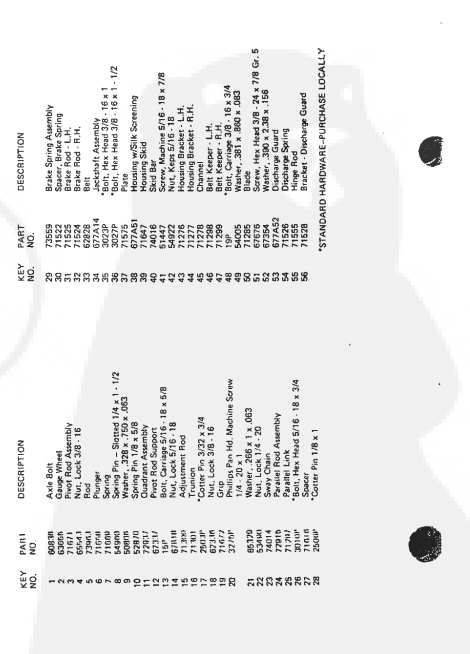
KEY NO.	PART NO.	DESCRIPTION
1	6053R	Axle Bolt
2	6053R	Axle Bolt
3	1000P	Steering Wheel
4	6053R	Axle Bolt
5	74279	Washer, 23/32 x 7/8 x .063
6	74279	Washer, 23/32 x 7/8 x .063
7	74279	Washer, 23/32 x 7/8 x .063
8	74279	Washer, 23/32 x 7/8 x .063
9	74279	Washer, 23/32 x 7/8 x .063
10	52739	Spring Pin 3/16 x 1
11	52739	Spring Pin 3/16 x 1
12	52739	Spring Pin 3/16 x 1
13	52739	Spring Pin 3/16 x 1
14	52739	Spring Pin 3/16 x 1
15	52739	Spring Pin 3/16 x 1
16	52739	Spring Pin 3/16 x 1
17	52739	Spring Pin 3/16 x 1
18	52739	Spring Pin 3/16 x 1
19	52739	Spring Pin 3/16 x 1
20	52739	Spring Pin 3/16 x 1
21	52739	Spring Pin 3/16 x 1
22	52739	Spring Pin 3/16 x 1
23	52739	Spring Pin 3/16 x 1
24	52739	Spring Pin 3/16 x 1
25	52739	Spring Pin 3/16 x 1
26	52739	Spring Pin 3/16 x 1
27	52739	Spring Pin 3/16 x 1
28	71653	Rim

*STANDARD HARDWARE—PURCHASE LOCALLY

REPAIR PARTS

36" RIDING LAWN TRACTOR—MODEL NUMBER LB21BAR

MOWER

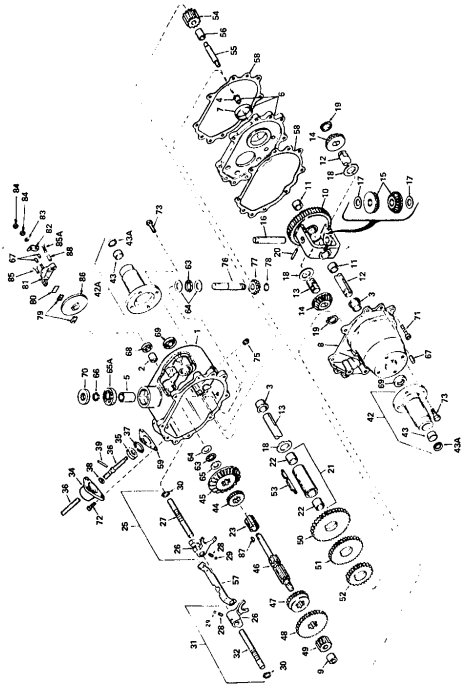


KEY NO.	PART NO.	DESCRIPTION
29	72559	Brake Spring Assembly
30	71225	Brake Rod - R.H.
31	71225	Brake Rod - L.H.
32	62524	Washer, 23/32 x 7/8 x .063
33	62524	Washer, 23/32 x 7/8 x .063
34	62524	Washer, 23/32 x 7/8 x .063
35	62524	Washer, 23/32 x 7/8 x .063
36	3027P	Spring Pin - Slotted 1/4 x 1 - 1/2
37	3027P	Spring Pin - Slotted 1/4 x 1 - 1/2
38	62524	Washer, 23/32 x 7/8 x .063
39	62524	Washer, 23/32 x 7/8 x .063
40	62524	Washer, 23/32 x 7/8 x .063
41	62524	Washer, 23/32 x 7/8 x .063
42	62524	Washer, 23/32 x 7/8 x .063
43	62524	Washer, 23/32 x 7/8 x .063
44	62524	Washer, 23/32 x 7/8 x .063
45	62524	Washer, 23/32 x 7/8 x .063
46	62524	Washer, 23/32 x 7/8 x .063
47	62524	Washer, 23/32 x 7/8 x .063
48	62524	Washer, 23/32 x 7/8 x .063
49	62524	Washer, 23/32 x 7/8 x .063
50	62524	Washer, 23/32 x 7/8 x .063
51	62524	Washer, 23/32 x 7/8 x .063
52	62524	Washer, 23/32 x 7/8 x .063
53	62524	Washer, 23/32 x 7/8 x .063
54	62524	Washer, 23/32 x 7/8 x .063
55	62524	Washer, 23/32 x 7/8 x .063
56	71629	Bracket, Discharge Guard

*STANDARD HARDWARE—PURCHASE LOCALLY

REPAIR PARTS

36" RIDING LAWN TRACTOR-MODEL NUMBER L8218AR
TRANSAKLE NO. 784191-MODEL NUMBER 143.658



REPAIR PARTS

36" RIDING LAWN TRACTOR-MODEL NUMBER L8218AR
TRANSAKLE NO. 784191-MODEL NUMBER 143.658

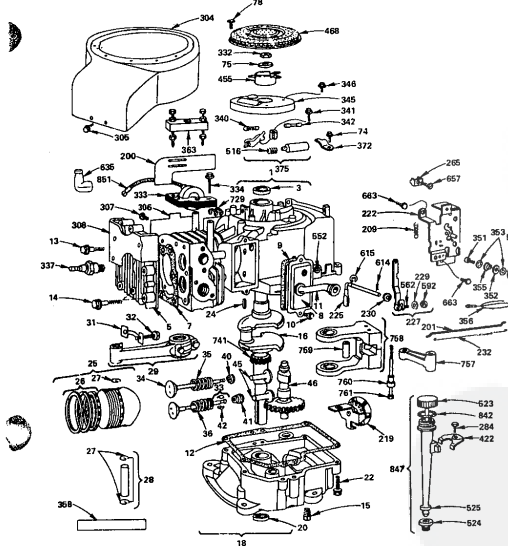
KEY NO.	PART NO.	DESCRIPTION	KEY NO.	PART NO.	DESCRIPTION
1	392005	Cylinder Assembly (Inc. Key No. 3)	227	391733	Lever Assy. - Governor (For 1/4" Dia. Crank)
2	391726	Bushing - Cylinder	229	220680	Washer - Flat
3	294606	Seal - Oil	230	224450	Washer - Gov. Lever (1 1/4" I.D.)
4	716224	Gasket - Valve Cover	232	260584	Spring - Governor Link
5	716230	Gasket - Valve Cover	265	221535	Clamp - Casing
6	391406	Breaker Tube Assembly	298	93084	Screw - Clamp Mtg.
7	278033	Gasket - Valve Cover	304	381379	Housing - Blower
8	933094	Screw - Sem	305	222830	Screw - Blower Housing Mounting Sem
9	280059	Tube - Breaker	307	931153	Shield - Cylinder
10	277550	*Gasket - Crankcase Cover - 1/84"	308	222636	Screw - Cylinder Shield Mtg. Sem
11	278776	Thick	322	93284	Nut - Flywheel
12	278776	*Gasket - Crankcase Cover - .005"	333	238988	Armature Assembly
13	278777	Thin	334	93381	Screw - Armature Mounting Sem
14	932211	*Gasket - Crankcase Cover - .008"	337	233918	Plug - Spark (1 - 1/2" High - 3/8 M.M. Resistor)
15	93723	Screw - Cylinder Head (3" Long)	340	NOTE:	Ignition Cable Terminal No. 221798
16	91034	Plug - Oil Drain	341	93381	Spring - Breaker Arm
17	391752	Crankshaft	342	93381	Screw - Breaker Arm Mounting Sem
18	298516	Pump - Oil (Inc. Key No's. 12 & 20)	342	65704	Plunger - Breaker Point
19	298423	Seal - Oil	345	221117	Cover - Breaker Point
20	83585	Screw - Sump	346	93014	Screw - Sem
21	81760	Key - Flywheel	351	93755	Screw - Terminal
22	391673	Piston Assy. - Std.	352	69068	Washer - Insulating
23	391674	Piston Assy. - .010" O.S.	353	93791	Washer - Lock Shakerproof
24	391675	Piston Assy. - .020" O.S.	354	96576	Nut - Hex 8 - 32
25	391676	Piston Assy. - .030" O.S.	355	96554	Collar - Insulating
26	391688	Ring Set - Piston - Std.	356	299500	Wire - Ground
27	299743	Ring Set - Piston - Std. Chrome	358	299577	Gasket Set
28	391570	Ring Set - Piston - .010" O.S.	363	19165	Pusher - Flywheel
29	391671	Ring Set - Piston - .020" O.S.	372	220477	Clamp - Condenser
30	391672	Ring Set - Piston - .030" O.S.	375	298428	Breaker Points and Condenser Set
31	68546	Lock - Piston Pin	377	NOTE:	299081 Ignition Kit Includes 294626 Point Set, 65704 Plunger, 81760 Key, Flywheel
32	205840	Pin Assembly - Piston - Standard	422	225922	Clamp - Oil Filler Tube
33	285841	Pin Assembly - Piston - .005" O.S.	455	227561	Cup - Screen Mounting
34	390402	Rod Assy. - Connecting	468	227562	Screen - Flush Rotating
35	221114	Screw - Connecting Rod Screw	500	93722	Terminal Spade
36	390419	Valve - Intake	523	381840	Cap and O-Ring - Oil Filter
37	281055	Valve - Intake	524	68838	Seal - Filler Tube
38	69906	Spring - Intake Valve	525	93013	Tube - Oil Filler
39	281056	Retainer - Intake Valve	562	231055	Bushing - Gov. Crank (1 1/4" I.D.)
40	221596	Retainer - Intake Valve	567	93306	Nut - Hex 10 - 24
41	282760	Rotocool - Exhaust Valve	614	93306	Cotter - Hair Pin
42	33830	Rotocool - Exhaust Valve Rotocool	615	93307	Retainer - E-Ring
43	290333	Tappet - Valve	635	66538	Elbow - Spark Plug
44	211689	Gear - Cam	657	93490	Screw - Sem
45	93042	Screw - Sems	663	93572	Screw
46	220685	Washer - Spring	729	22190	Clip - Wire
47	93608	Screw - Sem	741	281195	Gear - Timing
48	221760	Guide - Air	757	211875	Link - Counterweight
49	280711	Link - Governor	768	390172	Counterweight Assy.
50	261308	Spring - Governor	789	288909	Pin - Counterweight
51	392718	Oil Slinger - Gov. Gear and Bracket Assembly	789	238948	Spacer - Counterweight
52	390662	Plate - Gov. Control	841	93874	Screw - Counterweight
53	231098	Crank - Gov. (1 1/4" Dia.)	842	270820	Seal - Filler Cap
			843	382066	Filler Group - Oil
			851	221798	Terminal - Ignition Cable
					INCLUDED IN GASKET SET - PART NO. 299577

REPAIR PARTS

36" RIDING LAWN TRACTOR-MODEL NUMBER L8218AR
BRIGGS & STRATTON 8 H.P. ENGINE-MODEL NO. 191707, TYPE NO. 5627-01

CYLINDER, CRANKSHAFT AND ENGINE BASE GROUP

ALL ENGINE PARTS MUST BE PURCHASED THROUGH AND SERVICE PERFORMED BY YOUR LOCAL BRIGGS AND STRATTON DEALER.



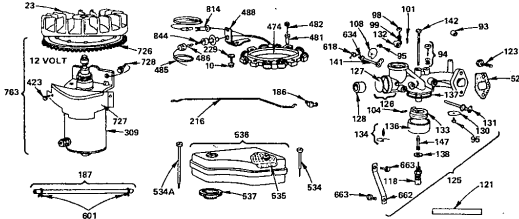
REPAIR PARTS

36" RIDING LAWN TRACTOR-MODEL NUMBER L8218AR
BRIGGS & STRATTON 8 H.P. ENGINE-MODEL NO. 191707, TYPE NO. 5627-01

KEY NO.	PART NO.	DESCRIPTION	KEY NO.	PART NO.	DESCRIPTION
1	392005	Cylinder Assembly (Inc. Key No. 3)	227	391733	Lever Assy. - Governor (For 1/4" Dia. Crank)
2	391726	Bushing - Cylinder	229	220680	Washer - Flat
3	294606	Seal - Oil	230	224450	Washer - Gov. Lever (1 1/4" I.D.)
4	716224	Gasket - Valve Cover	232	260584	Spring - Governor Link
5	716230	Gasket - Valve Cover	265	221535	Clamp - Casing
6	391406	Breaker Tube Assembly	298	93084	Screw - Clamp Mtg.
7	278033	Gasket - Valve Cover	304	381379	Housing - Blower
8	933094	Screw - Sem	305	222830	Screw - Blower Housing Mounting Sem
9	280059	Tube - Breaker	307	931153	Shield - Cylinder
10	277550	*Gasket - Crankcase Cover - 1/84"	308	222636	Screw - Cylinder Shield Mtg. Sem
11	278776	Thick	322	93284	Nut - Flywheel
12	278776	*Gasket - Crankcase Cover - .005"	333	238988	Armature Assembly
13	278777	Thin	334	93381	Screw - Armature Mounting Sem
14	932211	*Gasket - Crankcase Cover - .008"	337	233918	Plug - Spark (1 - 1/2" High - 3/8 M.M. Resistor)
15	93723	Screw - Cylinder Head (3" Long)	340	NOTE:	Ignition Cable Terminal No. 221798
16	91034	Plug - Oil Drain	341	93381	Spring - Breaker Arm
17	391752	Crankshaft	342	93381	Screw - Breaker Arm Mounting Sem
18	298516	Pump - Oil (Inc. Key No's. 12 & 20)	342	65704	Plunger - Breaker Point
19	298423	Seal - Oil	345	221117	Cover - Breaker Point
20	83585	Screw - Sump	346	93014	Screw - Sem
21	81760	Key - Flywheel	351	93755	Screw - Terminal
22	391673	Piston Assy. - Std.	352	69068	Washer - Insulating
23	391674	Piston Assy. - .010" O.S.	353	93791	Washer - Lock Shakerproof
24	391675	Piston Assy. - .020" O.S.	354	96576	Nut - Hex 8 - 32
25	391676	Piston Assy. - .030" O.S.	355	96554	Collar - Insulating
26	391688	Ring Set - Piston - Std.	356	299500	Wire - Ground
27	299743	Ring Set - Piston - Std. Chrome	358	299577	Gasket Set
28	391570	Ring Set - Piston - .010" O.S.	363	19165	Pusher - Flywheel
29	391671	Ring Set - Piston - .020" O.S.	372	220477	Clamp - Condenser
30	391672	Ring Set - Piston - .030" O.S.	375	298428	Breaker Points and Condenser Set
31	68546	Lock - Piston Pin	377	NOTE:	299081 Ignition Kit Includes 294626 Point Set, 65704 Plunger, 81760 Key, Flywheel
32	205840	Pin Assembly - Piston - Standard	422	225922	Clamp - Oil Filler Tube
33	285841	Pin Assembly - Piston - .005" O.S.	455	227561	Cup - Screen Mounting
34	390402	Rod Assy. - Connecting	468	227562	Screen - Flush Rotating
35	221114	Screw - Connecting Rod Screw	500	93722	Terminal Spade
36	390419	Valve - Intake	523	381840	Cap and O-Ring - Oil Filter
37	281055	Valve - Intake	524	68838	Seal - Filler Tube
38	69906	Spring - Intake Valve	525	93013	Tube - Oil Filler
39	281056	Retainer - Intake Valve	562	231055	Bushing - Gov. Crank (1 1/4" I.D.)
40	221596	Retainer - Intake Valve	567	93306	Nut - Hex 10 - 24
41	282760	Rotocool - Exhaust Valve	614	93306	Cotter - Hair Pin
42	33830	Rotocool - Exhaust Valve Rotocool	615	93307	Retainer - E-Ring
43	290333	Tappet - Valve	635	66538	Elbow - Spark Plug
44	211689	Gear - Cam	657	93490	Screw - Sem
45	93042	Screw - Sems	663	93572	Screw
46	220685	Washer - Spring	729	22190	Clip - Wire
47	93608	Screw - Sem	741	281195	Gear - Timing
48	221760	Guide - Air	757	211875	Link - Counterweight
49	280711	Link - Governor	768	390172	Counterweight Assy.
50	261308	Spring - Governor	789	288909	Pin - Counterweight
51	392718	Oil Slinger - Gov. Gear and Bracket Assembly	789	238948	Spacer - Counterweight
52	390662	Plate - Gov. Control	841	93874	Screw - Counterweight
53	231098	Crank - Gov. (1 1/4" Dia.)	842	270820	Seal - Filler Cap
			843	382066	Filler Group - Oil
			851	221798	Terminal - Ignition Cable

REPAIR PARTS

36" RIDING LAWN TRACTOR-MODEL NUMBER L8218AR
BRIGGS & STRATTON 8 H.P. ENGINE-MODEL NO. 191707, TYPE NO. 5627-01
AIR CLEANER, CARBURETOR AND FLYWHEEL GROUP

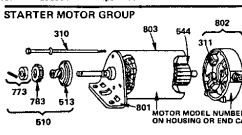


KEY NO.	PART NO.	DESCRIPTION	KEY NO.	PART NO.	DESCRIPTION
10	53394	Screw - Sem	216	381117	Link Clutch
23	391483	Flywheel and Ring Gear Ass'y. - Magneto	229	220680	Washer, Flat
52	27824	Gasket - Carburetor Mounting	309	392749	Motor and Drive Ass'y. (See Break-down of Parts Below)
53	23108	Bushing - Throttle Shaft	423	59410	Screw - Sem
84	26261	Valve Assembly - Carburetor Idle	481	391532	Screw - Sem
84	83499	Screw - Throttle and Choke Valve Mtg.	482	238970	Bushing - Stator
96	91920	Screw - Machine Fill, Hd. 8 - 32 x 5/8"	485	39321	Screw - Sem
99	26157	Spring - Throttle Adjustment	485	390888	Knob Ass'y. - Fuse
101	83043	Pin - Throttle Stop	485	391507	Diode - Alternator
104	238896	*Pin - Float Hinge	488	222211	Bracket - Output
108	222010	*Valve - Choke	534	59522	Screw - Air Cleaner
118	391233	*Valve Needle	534A	93223	Screw - Air Cleaner
121	298552	Carburetor Overhaul Kit	536	370538	Element - Air Cleaner
123	53387	Screw - Carburetor Mtg.	536	391399	Cleaner Assembly - Air
125	393811	Carburetor Assembly	536	Use 280111	Support - Air Cleaner Element (Plastic)
126	298851	Body Assembly - Carburetor	537	270539	Gasket - Air Cleaner
127	211937	*Plug - Wash	601	93053	Clamp - Fuel Pipe
128	211682	Venturi - Carburetor	618	281116	Spring - Choke Return
130	221898	Valve - Throttle	634	270382	Washer - Choke Shaft
131	381512	Shaft and Lever - Throttle	662	222027	Bracket - Carburetor
132	211712	Stop - Throttle	663	93672	Screw
133	289707	Float - Carburetor	725	392134	Gear - Ring
136	268396	Valve - Fuel Inlet	727	392233	Cover and Shield - Starter
138	221896	Bowl - Float	728	93623	Screw - Sem
137	27081	*Gasket - Float Bowl	783	391604	Electric Starter Kit - 12 Volt (Gear Drive)
138	222314	*Washer - Float Bowl	814	390887	Wire - Assembly - 7 Amp. Alternator
141	390884	Shaft and Lever - Choke	814	391389	Spring - Diode
142	280740	*Screw - Carburetor	844	391589	Electric Starter Kit - 12 Volt (Gear Drive)
147	299322	*Screw - Nozzle	844	390887	Wire - Assembly - 7 Amp. Alternator
188	67218	Connector - Fuel Pipe	844	391389	Spring - Diode
187	296004	Pipe - Fuel			

STARTER MOTOR GROUP

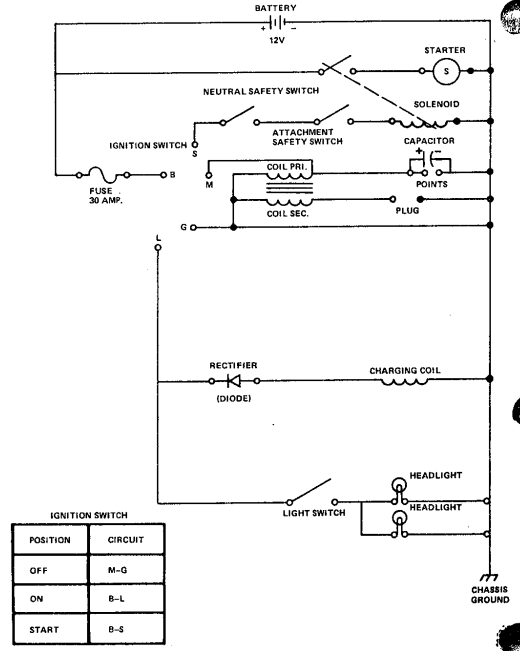
KEY NO.	PART NO.	DESCRIPTION
310	391708	Thru Bolt Ass'y.
311	391706	Brush Ass'y.
510	391461	*Drive Ass'y.
544	392747	Armature Ass'y.
801	391761	End Cap Ass'y. Drive
802	390848	*End Cap Ass'y. Commutator
803	392744	Housing Ass'y.

*Includes Brush Set
*Includes No. 381135 Clutch Ass'y. (Key No. 513)
*Includes No. 280104 Gear (Key No. 783)
*Includes No. 391462 Retainer and Pin (Key No. 773)



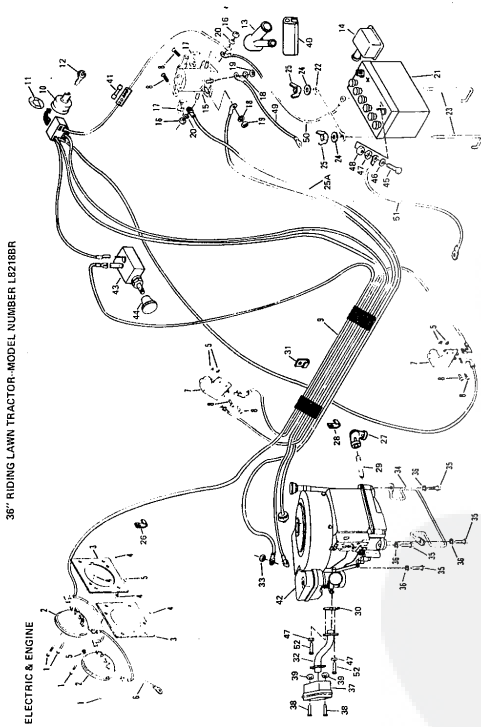
REPAIR PARTS

36" RIDING LAWN TRACTOR-MODEL NUMBER L8218AR
SCHEMATIC DIAGRAM



REPAIR PARTS

ELECTRIC & ENGINE



REPAIR PARTS

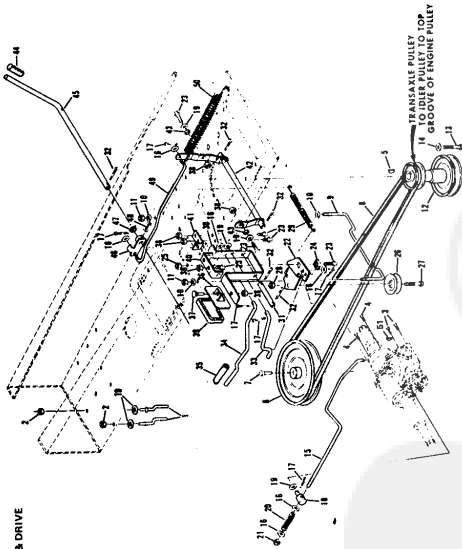
ELECTRIC & ENGINE

KEY NO.	PART NO.	DESCRIPTION
1	66421	Screw - Machine Truss Head
2	6452R	Headlight Support
4	53891	Nut - Lock No. 10 - 24
5	6784R	Washer - Flat No. 10 - 24
6	71706	Wire Assembly
6	2355R	Safety Switch
6	2355R	Safety Switch - Phillips Head
8	4781	*Washer - Flat No. 10 - 24 x 1/2
10	4402R	Ignition Switch (Inc. Ref No. 12)
11	8927R	Terminal Identifier
12	5127R	Eye Bolt No. 10 - 24
13	5127R	Terminal Cover (Dial)
14	7754R	Spring - Return
15	6088R	Spring - Cover
17	6088R	*Nut - Hex Jam 5/16 - 24
18	1003P	*Washer - Lock No. 10 - 24
18	1003P	*Lockwasher - 5/16 - 32
20	1003P	*Lockwasher - 5/16 - 32
21	67187	Battery Rod
22	67187	Battery Rod
23	7065	Battery Bolt - 7/8" x .063
25	52231	Wing Nut 1/4 - 20
25	52231	Wing Nut 1/4 - 20
26	2921R	Insulated Clip
26	2921R	Insulated Clip
28	5220R	End Cap Ass'y. Drive
28	5220R	End Cap Ass'y. Drive
29	6784R	Washer - Flat No. 10 - 24
31	6784R	Washer - Flat No. 10 - 24
33	45400	Bracket - Carburetor
34	75882	Belt Keeper Ass'y. Thru Rolling
35	5988P	Clamp - 1/8" x 1/2" - 1/2" Rolling
37	10715	Washer - Lock 3/8
37	10715	Washer - Lock 3/8
38	2701P	Hex Bolt 5/16 - 18 x 2 - 3/4
40	8711	Spring - Return
40	8711	Spring - Return
42	191707	Spring - Insulator
42	191707	Spring - Insulator
43	270382	Washer - Choke Shaft
44	7784R	*Nut - Hex Jam 5/16 - 24
44	7784R	*Nut - Hex Jam 5/16 - 24
46	1503P	*Lockwasher - 5/16 - 32
46	1503P	*Lockwasher - 5/16 - 32
47	1003P	*Lockwasher - 5/16 - 32
47	1003P	*Lockwasher - 5/16 - 32
49	8027R	Wire - Ground Solenoid
49	8027R	Wire - Ground Solenoid
51	5961	Ground Cable
51	5961	Ground Cable
51	70541	Cover - Hex Hd. 1/4 - 20 x .62
51	70541	Cover - Hex Hd. 1/4 - 20 x .62
52	2921R	Insulated Clip
52	2921R	Insulated Clip

*STANDARD HARDWARE PURCHASE LOCALLY

REPAIR PARTS

36" RIDING LAWN TRACTOR-MODEL NUMBER L8218BR
CLUTCH-BRAKE & DRIVE



REPAIR PARTS

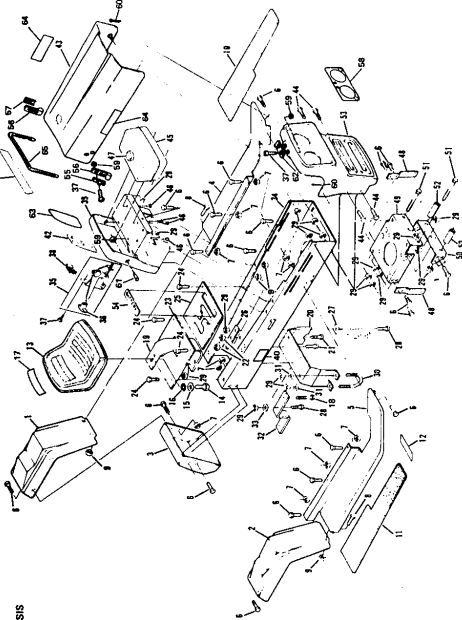
36" RIDING LAWN TRACTOR-MODEL NUMBER L8218BR
CLUTCH-BRAKE & DRIVE

KEY NO.	PART NO.	DESCRIPTION
1	2422	Pin Guide
2	2422	Nut, Lock 5/16 - 18
3	65205	Screw, Hex Head w/Washer
4	65206	Screw, Hex Head w/Washer
5	65203	KTY Woodruff No. 6
6	7552	Pulley, Transaxle
7	65208	Washer, 3/16 x 1.003
8	71741	Med Set Guide
9	71741	Washer, 409 x .875 x .063
10	51785	Washer, 375 x 1.250 x .201
11	53986	Pulley, Engine
12	71823	Washer, 406 x .750 x .063
13	68874	Washer, 375 x 1.250 x .201
14	67125	Washer, 406 x .750 x .063
15	53986	Pulley, Engine
16	71823	Washer, 406 x .750 x .063
17	53986	Pulley, Engine
18	71823	Washer, 406 x .750 x .063
19	53986	Pulley, Engine
20	62536	Nut, Lock 3/8 - 16
21	71201	Idler Bracket
22	71201	Idler Bracket

*STANDARD HARDWARE PURCHASE LOCALLY

REPAIR PARTS

36" RIDING LAWN TRACTOR-MODEL NUMBER L8218BR
CHASSIS



REPAIR PARTS

36" RIDING LAWN TRACTOR-MODEL NUMBER L8218BR
CHASSIS

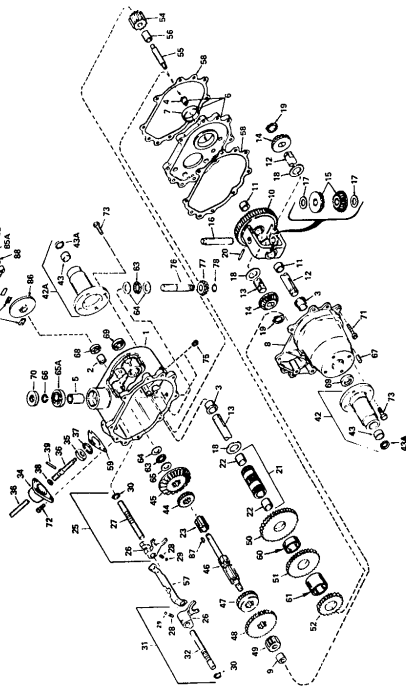
KEY NO.	PART NO.	DESCRIPTION
1	3884	Fender, L.H.
2	3884	Fender, R.H.
3	3884	Fender, L.H.
4	3884	Fender, R.H.
5	60913	Fuel Filter, R1 1/4" x 1.003
6	60913	Fuel Filter, R1 1/4" x 1.003
7	60913	Fuel Filter, R1 1/4" x 1.003
8	60913	Fuel Filter, R1 1/4" x 1.003
9	60913	Fuel Filter, R1 1/4" x 1.003
10	60913	Fuel Filter, R1 1/4" x 1.003
11	60913	Fuel Filter, R1 1/4" x 1.003
12	60913	Fuel Filter, R1 1/4" x 1.003
13	60913	Fuel Filter, R1 1/4" x 1.003
14	60913	Fuel Filter, R1 1/4" x 1.003
15	60913	Fuel Filter, R1 1/4" x 1.003
16	60913	Fuel Filter, R1 1/4" x 1.003
17	60913	Fuel Filter, R1 1/4" x 1.003
18	60913	Fuel Filter, R1 1/4" x 1.003
19	60913	Fuel Filter, R1 1/4" x 1.003
20	60913	Fuel Filter, R1 1/4" x 1.003
21	60913	Fuel Filter, R1 1/4" x 1.003
22	60913	Fuel Filter, R1 1/4" x 1.003
23	60913	Fuel Filter, R1 1/4" x 1.003
24	60913	Fuel Filter, R1 1/4" x 1.003
25	60913	Fuel Filter, R1 1/4" x 1.003
26	60913	Fuel Filter, R1 1/4" x 1.003
27	60913	Fuel Filter, R1 1/4" x 1.003
28	60913	Fuel Filter, R1 1/4" x 1.003
29	60913	Fuel Filter, R1 1/4" x 1.003
30	60913	Fuel Filter, R1 1/4" x 1.003
31	60913	Fuel Filter, R1 1/4" x 1.003
32	60913	Fuel Filter, R1 1/4" x 1.003
33	60913	Fuel Filter, R1 1/4" x 1.003
34	60913	Fuel Filter, R1 1/4" x 1.003
35	60913	Fuel Filter, R1 1/4" x 1.003
36	60913	Fuel Filter, R1 1/4" x 1.003
37	60913	Fuel Filter, R1 1/4" x 1.003
38	60913	Fuel Filter, R1 1/4" x 1.003
39	60913	Fuel Filter, R1 1/4" x 1.003
40	60913	Fuel Filter, R1 1/4" x 1.003
41	60913	Fuel Filter, R1 1/4" x 1.003
42	60913	Fuel Filter, R1 1/4" x 1.003
43	60913	Fuel Filter, R1 1/4" x 1.003
44	60913	Fuel Filter, R1 1/4" x 1.003
45	60913	Fuel Filter, R1 1/4" x 1.003
46	60913	Fuel Filter, R1 1/4" x 1.003
47	60913	Fuel Filter, R1 1/4" x 1.003
48	60913	Fuel Filter, R1 1/4" x 1.003
49	60913	Fuel Filter, R1 1/4" x 1.003
50	60913	Fuel Filter, R1 1/4" x 1.003
51	60913	Fuel Filter, R1 1/4" x 1.003
52	60913	Fuel Filter, R1 1/4" x 1.003
53	60913	Fuel Filter, R1 1/4" x 1.003
54	60913	Fuel Filter, R1 1/4" x 1.003
55	60913	Fuel Filter, R1 1/4" x 1.003
56	60913	Fuel Filter, R1 1/4" x 1.003
57	60913	Fuel Filter, R1 1/4" x 1.003
58	60913	Fuel Filter, R1 1/4" x 1.003
59	60913	Fuel Filter, R1 1/4" x 1.003
60	60913	Fuel Filter, R1 1/4" x 1.003
61	60913	Fuel Filter, R1 1/4" x 1.003
62	60913	Fuel Filter, R1 1/4" x 1.003
63	60913	Fuel Filter, R1 1/4" x 1.003
64	60913	Fuel Filter, R1 1/4" x 1.003
65	60913	Fuel Filter, R1 1/4" x 1.003
66	60913	Fuel Filter, R1 1/4" x 1.003
67	60913	Fuel Filter, R1 1/4" x 1.003
68	60913	Fuel Filter, R1 1/4" x 1.003
69	60913	Fuel Filter, R1 1/4" x 1.003
70	60913	Fuel Filter, R1 1/4" x 1.003
71	60913	Fuel Filter, R1 1/4" x 1.003
72	60913	Fuel Filter, R1 1/4" x 1.003
73	60913	Fuel Filter, R1 1/4" x 1.003
74	60913	Fuel Filter, R1 1/4" x 1.003
75	60913	Fuel Filter, R1 1/4" x 1.003
76	60913	Fuel Filter, R1 1/4" x 1.003
77	60913	Fuel Filter, R1 1/4" x 1.003
78	60913	Fuel Filter, R1 1/4" x 1.003
79	60913	Fuel Filter, R1 1/4" x 1.003
80	60913	Fuel Filter, R1 1/4" x 1.003
81	60913	Fuel Filter, R1 1/4" x 1.003
82	60913	Fuel Filter, R1 1/4" x 1.003
83	60913	Fuel Filter, R1 1/4" x 1.003
84	60913	Fuel Filter, R1 1/4" x 1.003
85	60913	Fuel Filter, R1 1/4" x 1.003
86	60913	Fuel Filter, R1 1/4" x 1.003
87	60913	Fuel Filter, R1 1/4" x 1.003
88	60913	Fuel Filter, R1 1/4" x 1.003
89	60913	Fuel Filter, R1 1/4" x 1.003
90	60913	Fuel Filter, R1 1/4" x 1.003
91	60913	Fuel Filter, R1 1/4" x 1.003
92	60913	Fuel Filter, R1 1/4" x 1.003
93	60913	Fuel Filter, R1 1/4" x 1.003
94	60913	Fuel Filter, R1 1/4" x 1.003
95	60913	Fuel Filter, R1 1/4" x 1.003
96	60913	Fuel Filter, R1 1/4" x 1.003
97	60913	Fuel Filter, R1 1/4" x 1.003
98	60913	Fuel Filter, R1 1/4" x 1.003
99	60913	Fuel Filter, R1 1/4" x 1.003
100	60913	Fuel Filter, R1 1/4" x 1.003

*STANDARD HARDWARE PURCHASE LOCALLY

REPAIR PARTS

36" RIDING LAWN TRACTOR-MODEL NUMBER L8218BR
 TRANSAXLE NO. 794191A-MODEL NUMBER 143.658A

ALL TRANSALE PARTS MUST
 BE PURCHASED THROUGH YOUR
 LOCAL EQUIPMENT DEALER



REPAIR PARTS

36" RIDING LAWN TRACTOR-MODEL NUMBER L8218BR
 TRANSAXLE NO. 794191A-MODEL NUMBER 143.658A

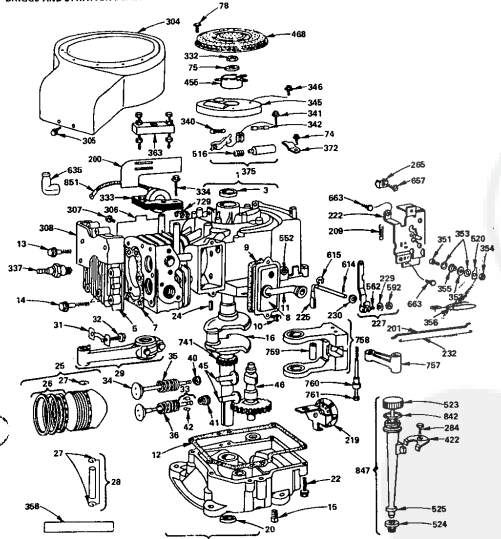
KEY NO.	PART NO.	DESCRIPTION	KEY NO.	PART NO.	DESCRIPTION
1	794191A	Complete Transaxle (Inc. No. 2, 3 & 5)	46	778232	Gov. Bevel (25 Teeth)
2	780088	Bushing - Cylinder	47	778688	Gov. Shaft (2 1/2 x 1/4)
3	212286	Head - Cylinder	48	778688	Gov. Shaft (2 1/2 x 1/4)
4	210430	Gasket - Valve Cover	49	778688	Gov. Shaft (2 1/2 x 1/4)
5	391406	Breather Tube Assembly	50	778688	Gov. Shaft (2 1/2 x 1/4)
6	21900	Gasket - Valve Cover	51	778688	Gov. Shaft (2 1/2 x 1/4)
7	93394	Screw - Sem	52	778688	Gov. Shaft (2 1/2 x 1/4)
8	280005	Tube - Breather	53	778688	Gov. Shaft (2 1/2 x 1/4)
9	27750	*Gasket - Crankcase Cover - 1/64"	54	778688	Gov. Shaft (2 1/2 x 1/4)
10	27876	*Gasket - Crankcase Cover - .005"	55	778688	Gov. Shaft (2 1/2 x 1/4)
11	27877	Thick	56	778688	Gov. Shaft (2 1/2 x 1/4)
12	93211	Screw - Cylinder Head (2 - 21/32" Long)	57	778688	Gov. Shaft (2 1/2 x 1/4)
13	93723	Screw - Cylinder Head (3" Long)	58	778688	Gov. Shaft (2 1/2 x 1/4)
14	91084	Plug - Oil Drain	59	778688	Gov. Shaft (2 1/2 x 1/4)
15	391757	Crankshaft	60	778688	Gov. Shaft (2 1/2 x 1/4)
16	788316	Sump - Oil (Inc. Key No. 12 & 20)	61	778688	Gov. Shaft (2 1/2 x 1/4)
17	298423	Seal - Oil	62	778688	Gov. Shaft (2 1/2 x 1/4)
18	93585	Screw - Sump	63	778688	Gov. Shaft (2 1/2 x 1/4)
19	61760	Key - Flywheel	64	778688	Gov. Shaft (2 1/2 x 1/4)
20	391673	Piston Assy. - Std.	65	778688	Gov. Shaft (2 1/2 x 1/4)
21	391674	Piston Assy. - .010" O.S.	66	778688	Gov. Shaft (2 1/2 x 1/4)
22	391675	Piston Assy. - .020" O.S.	67	778688	Gov. Shaft (2 1/2 x 1/4)
23	391676	Piston Assy. - .030" O.S.	68	778688	Gov. Shaft (2 1/2 x 1/4)
24	391678	Ring Set - Piston - Std.	69	778688	Gov. Shaft (2 1/2 x 1/4)
25	299743	Ring Set - Piston - .010" O.S.	70	778688	Gov. Shaft (2 1/2 x 1/4)
26	391670	Ring Set - Piston - .020" O.S.	71	778688	Gov. Shaft (2 1/2 x 1/4)
27	391672	Ring Set - Piston - .030" O.S.	72	778688	Gov. Shaft (2 1/2 x 1/4)
28	68546	Lock - Piston Pin	73	778688	Gov. Shaft (2 1/2 x 1/4)
29	295840	Pin Assembly - Piston - Standard	74	778688	Gov. Shaft (2 1/2 x 1/4)
30	295841	Pin Assembly - Piston - .005" O.S.	75	778688	Gov. Shaft (2 1/2 x 1/4)
31	390402	Rod Assy. - Connecting	76	778688	Gov. Shaft (2 1/2 x 1/4)
32	222114	Lock - Connecting Rod Screw	77	778688	Gov. Shaft (2 1/2 x 1/4)
33	83059	Screw - Connecting Rod	78	778688	Gov. Shaft (2 1/2 x 1/4)
34	390419	Valve - Exhaust	79	778688	Gov. Shaft (2 1/2 x 1/4)
35	291055	Valve - Intake	80	778688	Gov. Shaft (2 1/2 x 1/4)
36	65906	Spring - Intake Valve	81	778688	Gov. Shaft (2 1/2 x 1/4)
37	29828	Spring - Exhaust Valve	82	778688	Gov. Shaft (2 1/2 x 1/4)
38	21558	Retainer - Intake Valve	83	778688	Gov. Shaft (2 1/2 x 1/4)
39	292260	Retainer - Exhaust Valve	84	778688	Gov. Shaft (2 1/2 x 1/4)
40	93630	Retainer - Exhaust Valve Retocoil	85	778688	Gov. Shaft (2 1/2 x 1/4)
41	295933	Tappet - Valve			
42	211689	Gear - Cam			
43	53342	Screw - Sems			
44	228865	Washer - Spring			
45	93808	Screw - Sem			
46	221760	Guide - Air			
47	260911	Link - Governor			
48	261308	Springs - Gov. Gear and Bracket			
49	392718	Oil Slinger - Gov. Control Assembly			
50	390662	Plate - Gov. Control			
51	231058	Crank - Gov. (1 1/4" Dia.)			
			61	785079	Sprocket
			62	785079	Sprocket
			63	785079	Sprocket
			64	785079	Sprocket
			65	785079	Sprocket
			66	785079	Sprocket
			67	785079	Sprocket
			68	785079	Sprocket
			69	785079	Sprocket
			70	785079	Sprocket
			71	785079	Sprocket
			72	785079	Sprocket
			73	785079	Sprocket
			74	785079	Sprocket
			75	785079	Sprocket
			76	785079	Sprocket
			77	785079	Sprocket
			78	785079	Sprocket
			79	785079	Sprocket
			80	785079	Sprocket
			81	785079	Sprocket
			82	785079	Sprocket
			83	785079	Sprocket
			84	785079	Sprocket
			85	785079	Sprocket
			86	785079	Sprocket
			87	785079	Sprocket

REPAIR PARTS

36" RIDING LAWN TRACTOR-MODEL NUMBER L8218BR
 BRIGGS & STRATTON 8 H.P. ENGINE-MODEL NO. 191707, TYPE NO. 5627-01

CYLINDER, CRANKSHAFT AND ENGINE BASE GROUP

ALL ENGINE PARTS MUST BE PURCHASED THROUGH AND SERVICE PERFORMED BY YOUR LOCAL BRIGGS & STRATTON DEALER



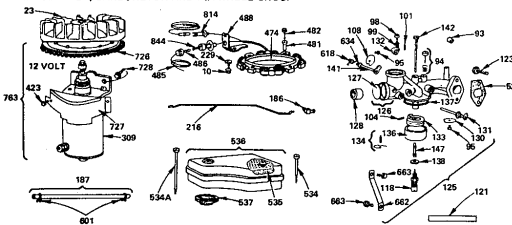
REPAIR PARTS

36" RIDING LAWN TRACTOR-MODEL NUMBER L8218BR
 BRIGGS & STRATTON 8 H.P. ENGINE-MODEL NO. 191707, TYPE NO. 5627-01

KEY NO.	PART NO.	DESCRIPTION	KEY NO.	PART NO.	DESCRIPTION
1	392005	Cylinder Assembly (Inc. Key No. 3)	227	391733	Lever Assy. - Governor (For 1 1/4" Dia. Crank)
2	391726	Bushing - Cylinder	228	220680	Washer - Flat
3	294606	Seal - Oil	229	224450	Spring - Governor Link (1 1/4" I.D.)
4	212286	Head - Cylinder	230	224450	Spring - Governor Link (1 1/4" I.D.)
5	210430	Gasket - Valve Cover	231	224450	Spring - Governor Link (1 1/4" I.D.)
6	391406	Breather Tube Assembly	232	224450	Spring - Governor Link (1 1/4" I.D.)
7	21900	Gasket - Valve Cover	233	224450	Spring - Governor Link (1 1/4" I.D.)
8	93394	Screw - Sem	234	224450	Spring - Governor Link (1 1/4" I.D.)
9	280005	Tube - Breather	235	224450	Spring - Governor Link (1 1/4" I.D.)
10	27750	*Gasket - Crankcase Cover - 1/64"	236	224450	Spring - Governor Link (1 1/4" I.D.)
11	27876	*Gasket - Crankcase Cover - .005"	237	224450	Spring - Governor Link (1 1/4" I.D.)
12	27877	Thick	238	224450	Spring - Governor Link (1 1/4" I.D.)
13	93211	Screw - Cylinder Head (2 - 21/32" Long)	239	224450	Spring - Governor Link (1 1/4" I.D.)
14	93723	Screw - Cylinder Head (3" Long)	240	224450	Spring - Governor Link (1 1/4" I.D.)
15	91084	Plug - Oil Drain	241	224450	Spring - Governor Link (1 1/4" I.D.)
16	391757	Crankshaft	242	224450	Spring - Governor Link (1 1/4" I.D.)
17	788316	Sump - Oil (Inc. Key No. 12 & 20)	243	224450	Spring - Governor Link (1 1/4" I.D.)
18	298423	Seal - Oil	244	224450	Spring - Governor Link (1 1/4" I.D.)
19	93585	Screw - Sump	245	224450	Spring - Governor Link (1 1/4" I.D.)
20	61760	Key - Flywheel	246	224450	Spring - Governor Link (1 1/4" I.D.)
21	391673	Piston Assy. - Std.	247	224450	Spring - Governor Link (1 1/4" I.D.)
22	391674	Piston Assy. - .010" O.S.	248	224450	Spring - Governor Link (1 1/4" I.D.)
23	391675	Piston Assy. - .020" O.S.	249	224450	Spring - Governor Link (1 1/4" I.D.)
24	391676	Piston Assy. - .030" O.S.	250	224450	Spring - Governor Link (1 1/4" I.D.)
25	391678	Ring Set - Piston - Std.	251	224450	Spring - Governor Link (1 1/4" I.D.)
26	299743	Ring Set - Piston - .010" O.S.	252	224450	Spring - Governor Link (1 1/4" I.D.)
27	391670	Ring Set - Piston - .020" O.S.	253	224450	Spring - Governor Link (1 1/4" I.D.)
28	391672	Ring Set - Piston - .030" O.S.	254	224450	Spring - Governor Link (1 1/4" I.D.)
29	68546	Lock - Piston Pin	255	224450	Spring - Governor Link (1 1/4" I.D.)
30	295840	Pin Assembly - Piston - Standard	256	224450	Spring - Governor Link (1 1/4" I.D.)
31	295841	Pin Assembly - Piston - .005" O.S.	257	224450	Spring - Governor Link (1 1/4" I.D.)
32	390402	Rod Assy. - Connecting	258	224450	Spring - Governor Link (1 1/4" I.D.)
33	222114	Lock - Connecting Rod Screw	259	224450	Spring - Governor Link (1 1/4" I.D.)
34	83059	Screw - Connecting Rod	260	224450	Spring - Governor Link (1 1/4" I.D.)
35	390419	Valve - Exhaust	261	224450	Spring - Governor Link (1 1/4" I.D.)
36	291055	Valve - Intake	262	224450	Spring - Governor Link (1 1/4" I.D.)
37	65906	Spring - Intake Valve	263	224450	Spring - Governor Link (1 1/4" I.D.)
38	29828	Spring - Exhaust Valve	264	224450	Spring - Governor Link (1 1/4" I.D.)
39	21558	Retainer - Intake Valve	265	224450	Spring - Governor Link (1 1/4" I.D.)
40	292260	Retainer - Exhaust Valve	266	224450	Spring - Governor Link (1 1/4" I.D.)
41	93630	Retainer - Exhaust Valve Retocoil	267	224450	Spring - Governor Link (1 1/4" I.D.)
42	295933	Tappet - Valve	268	224450	Spring - Governor Link (1 1/4" I.D.)
43	211689	Gear - Cam	269	224450	Spring - Governor Link (1 1/4" I.D.)
44	53342	Screw - Sems	270	224450	Spring - Governor Link (1 1/4" I.D.)
45	228865	Washer - Spring	271	224450	Spring - Governor Link (1 1/4" I.D.)
46	93808	Screw - Sem	272	224450	Spring - Governor Link (1 1/4" I.D.)
47	221760	Guide - Air	273	224450	Spring - Governor Link (1 1/4" I.D.)
48	260911	Link - Governor	274	224450	Spring - Governor Link (1 1/4" I.D.)
49	261308	Springs - Gov. Gear and Bracket	275	224450	Spring - Governor Link (1 1/4" I.D.)
50	392718	Oil Slinger - Gov. Control Assembly	276	224450	Spring - Governor Link (1 1/4" I.D.)
51	390662	Plate - Gov. Control	277	224450	Spring - Governor Link (1 1/4" I.D.)
52	231058	Crank - Gov. (1 1/4" Dia.)	278	224450	Spring - Governor Link (1 1/4" I.D.)
			279	224450	Spring - Governor Link (1 1/4" I.D.)
			280	224450	Spring - Governor Link (1 1/4" I.D.)
			281	224450	Spring - Governor Link (1 1/4" I.D.)
			282	224450	Spring - Governor Link (1 1/4" I.D.)
			283	224450	Spring - Governor Link (1 1/4" I.D.)
			284	224450	Spring - Governor Link (1 1/4" I.D.)
			285	224450	Spring - Governor Link (1 1/4" I.D.)
			286	224450	Spring - Governor Link (1 1/4" I.D.)
			287	224450	Spring - Governor Link (1 1/4" I.D.)
			288	224450	Spring - Governor Link (1 1/4" I.D.)
			289	224450	Spring - Governor Link (1 1/4" I.D.)
			290	224450	Spring - Governor Link (1 1/4" I.D.)
			291	224450	Spring - Governor Link (1 1/4" I.D.)
			292	224450	Spring - Governor Link (1 1/4" I.D.)
			293	224450	Spring - Governor Link (1 1/4" I.D.)
			294	224450	Spring - Governor Link (1 1/4" I.D.)
			295	224450	Spring - Governor Link (1 1/4" I.D.)
			296	224450	Spring - Governor Link (1 1/4" I.D.)
			297	224450	Spring - Governor Link (1 1/4" I.D.)
			298	224450	Spring - Governor Link (1 1/4" I.D.)
			299	224450	Spring - Governor Link (1 1/4" I.D.)
			300	224450	Spring - Governor Link (1 1/4" I.D.)
			301	224450	Spring - Governor Link (1 1/4" I.D.)
			302	224450	Spring - Governor Link (1 1/4" I.D.)
			303	224450	Spring - Governor Link (1 1/4" I.D.)
			304	224450	Spring - Governor Link (1 1/4" I.D.)
			305	224450	Spring - Governor Link (1 1/4" I.D.)
			306	224450	Spring - Governor Link (1 1/4" I.D.)
			307	224450	Spring - Governor Link (1 1/4" I.D.)
			308	224450	Spring - Governor Link (1 1/4" I.D.)
			309	224450	Spring - Governor Link (1 1/4" I.D.)

REPAIR PARTS

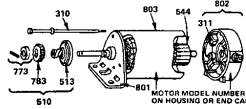
36" RIDING LAWN TRACTOR—MODEL NUMBER L8218BR
BRIGGS & STRATTON 8 H.P. ENGINE—MODEL NO. 191707, TYPE NO. 5627-01
AIR CLEANER, CARBURETOR AND FLYWHEEL GROUP



KEY NO.	PART NO.	DESCRIPTION	KEY NO.	PART NO.	DESCRIPTION
10	92304	Screw - Set	216	291117	Link Choke
23	381983	Flywheel and Ring Gear As'y. - Magneto	229	220680	Washer, Flat
52	210824	Gasket - Carburetor Mounting	309	392749	Motor and Drive As'y. (See Break-down of Parts Below)
83	24108	Bushing - Throttle Shaft	423	93410	Screw - Set
89	294081	Valve Assembly - Carburetor Idle	424	301522	Stator - Alternator
95	53499	Screw - Throttle and Choke Valve Mfg.	481	238970	Bushing - Stator
88	91920	Screw - Machine Fill, Hd. 8 - 32 x 5/8"	482	33621	Screw - Set
99	26157	Spring - Throttle Adjustment	485	381988	Knob As'y. - Fuse
101	83043	Pin - Throttle Stop	486	381907	Diode - Alternator
104	220896	Pin - Float Hinge	488	222211	Bracket - Output
108	227010	Valve Choke	534	33622	Screw - Air Cleaner
118	361233	Valve Needle	534A	33233	Screw - Air Cleaner
121	298852	Carburetor Overhaul Kit	536	270528	Element - Air Cleaner
125	93357	Screw - Carburetor Mtg.	538	381999	Cleaner Assembly - Air
126	269511	Carburetor Assembly	537	270539	Upper - Air Cleaner Element (Plastic)
127	221957	Body Assembly - Carburetor	601	43053	Gasket - Fuel Pipe
128	211682	Pin - Wrench	618	261116	Clamp - Fuel Pipe
130	221958	Venturi - Carburetor	629	220282	Spring - Choke Return
131	381512	Valve - Throttle	652	220282	Washer - Choke Shaft
132	211711	Shaft and Lever - Throttle	663	220277	Bracket - Carburetor
133	285707	Stop - Throttle	725	391134	Screw
134	259096	Float - Carburetor	727	390233	Gear - Ring
136	221995	Float - Bowl	728	390657	Cover and Shield - Starter
137	270511	Gasket - Float Bowl	844	261269	Screw - Set
141	220214	Washer - Float Bowl	814	390667	Electric Starter Kit - 12 Volt (Gear Drive)
142	390654	Shaft and Lever - Choke	844	391604	Wire - Assembly - 7 Amp. Alternator
147	285740	Washer - Carburetor			Spring - Diode
148	225872	Nozzle - Carburetor			
189	67218	Connector - Fuel Pipe			
190	256004	Pipe - Fuel			

*Included in Carburetor Overhaul Kit - Part No. 298852

STARTER MOTOR GROUP

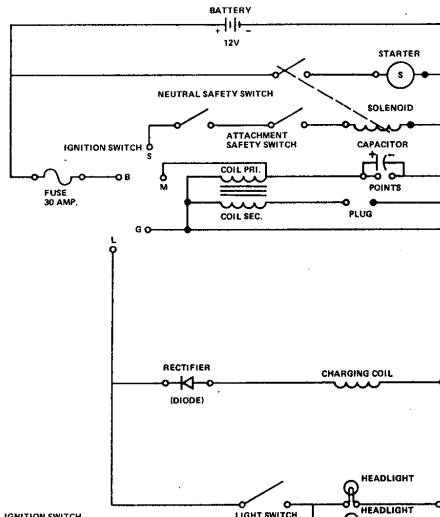


KEY NO.	PART NO.	DESCRIPTION
310	391706	Thru Bolt, As'y.
311	381705	Brush As'y.
510	391461	Drive As'y.
511	387747	Armature As'y.
801	381705	End Cap As'y., Drive
802	390846	Housing As'y., Commutator
803	392744	Housing As'y.

*Includes Brush Set No. 391735 Clutch As'y. (Key No. 513)
*No. 280104 Gear (Key No. 783)
*No. 391462 Retainer and Pin (Key No. 773)

REPAIR PARTS

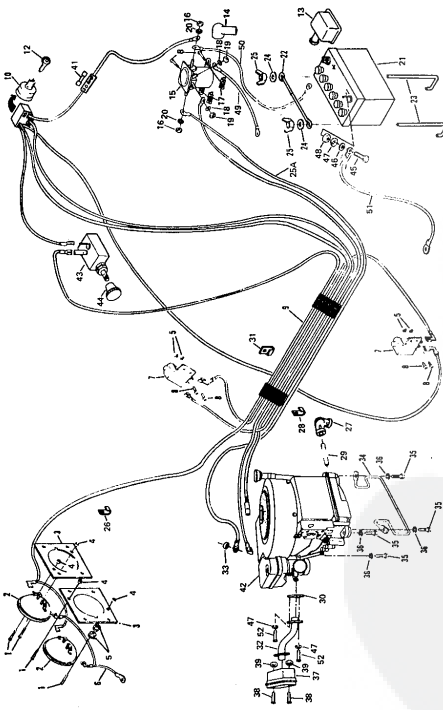
36" RIDING LAWN TRACTOR—MODEL NUMBER L8218BR
SCHEMATIC DIAGRAM



IGNITION SWITCH	
POSITION	CIRCUIT
OFF	M-G
ON	B-L
START	B-S

REPAIR PARTS

ELECTRIC & ENGINE



REPAIR PARTS

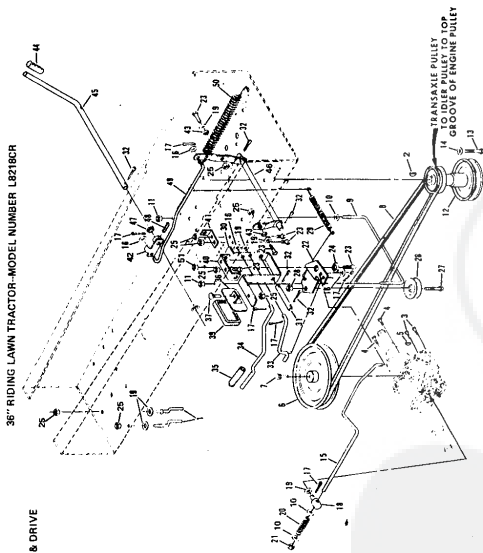
ELECTRIC & ENGINE

KEY NO.	PART NO.	DESCRIPTION
1	3228P	Screw, Machine Trust Head No. 10 - 24 x 1
2	645/R	Headlight Support
3	7302S	Headlight Lens
4	561P	Washer, Flat No. 10 - 24 UNC
5	561P	Washer, Flat No. 10 - 24 UNC
6	7125S	Safe Assembly
7	7125S	Safe Assembly
8	3359P	Screw, Machine Phillips Head No. 10 - 24 UNC
9	1795L	Wire Harness
10	1795L	Wire Harness
11	7522A	Terminal Switch (Inc. Ref. No. 12)
12	7522A	Terminal Switch (Inc. Ref. No. 12)
13	225J	Shield Cover
14	7125A/R	Washer, Flat No. 10 - 24 UNC
15	7125A/R	Washer, Flat No. 10 - 24 UNC
16	7125A/R	Washer, Flat No. 10 - 24 UNC
17	578P	*Lockwasher 5/16"
18	1063P	*Washer, Lock No. 10 - 24 UNC
19	1063P	*Washer, Lock No. 10 - 24 UNC
20	1063P	*Washer, Lock No. 10 - 24 UNC
21	6718P	Battery Rod
22	6718P	Battery Rod
23	1505S	Wing Nut 1/4" - 20 x 1/8 Ga.
24	1505S	Wing Nut 1/4" - 20 x 1/8 Ga.
25	577P	Washer, Flat No. 10 - 24 UNC
26	577P	Washer, Flat No. 10 - 24 UNC
27	2321R	Insulated Clip
28	4017P	Sud. Elbow 90° 3/8" - 18 MPT
29	5209R	Insulated Clip
30	7214A	Exhaust Gasket
31	7214A	Exhaust Gasket
32	7214A	Exhaust Gasket
33	53499	Screw, Hex Hd. Thd. Rolling
34	53499	Screw, Hex Hd. Thd. Rolling
35	5688P	*Washer, Lock 3/8"
36	1004P	Marler
37	2471S	Marler
38	575P	Engine, 7/8" and Starter 8 H.P.
39	575P	Engine, 7/8" and Starter 8 H.P.
40	575P	Engine, 7/8" and Starter 8 H.P.
41	191707	Engine, 7/8" and Starter 8 H.P.
42	191707	Engine, 7/8" and Starter 8 H.P.
43	7782R	*Knob, Light Switch
44	7784R	*Knob, Light Switch
45	1505P	*Washer, Lock No. 10 - 24 UNC
46	1505P	*Washer, Lock No. 10 - 24 UNC
47	1505P	*Washer, Lock No. 10 - 24 UNC
48	8027R	Washer, Flat No. 10 - 24 UNC
49	8027R	Washer, Flat No. 10 - 24 UNC
50	596L	Ground Cable
51	596L	Ground Cable
52	1988A	Owner's Manual

*STANDARD HARDWARE—PURCHASE LOCALLY
OPTIONAL EQUIPMENT
1A89.11 Spark Arrestor

REPAIR PARTS

CLUTCH-BRAKE & DRIVE



36" RIDING LAWN TRACTOR—MODEL NUMBER L8218CR

REPAIR PARTS

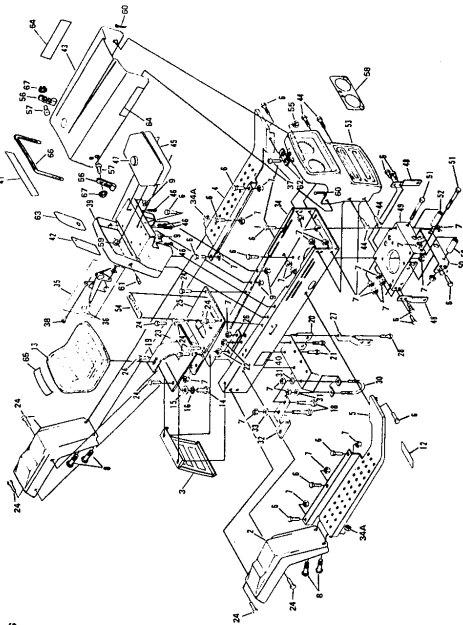
CLUTCH-BRAKE & DRIVE

REF. PART NO.	DESCRIPTION	REF. PART NO.	DESCRIPTION
1	71200 Bolt Guide	23	3010P Bolt, Hex Head 5/16 - 18 x 3.4
2	69053 Key, Woodruff No. 6	24	71202 Bushing 5/16 - 18 x 3.4
3	69059 Spring, Compression 1/2" Dia. x 1.125" Hgt.	25	67400 Pulley, V-Belt 18 UNC
4	6905P Spring, Compression 1/2" Dia. x 1.125" Hgt.	26	67400 Pulley, V-Belt 18 UNC
5	52859 Key, Woodruff No. E1	27	5729P Nut, Lock 1/8 - 11 x 1.12
6	69059 Spring, Compression 1/2" Dia. x 1.125" Hgt.	28	2044J Spring, Idler
7	69059 Spring, Compression 1/2" Dia. x 1.125" Hgt.	29	2044J Spring, Idler
8	72794 Mid-Belt Guide	30	71223 Pin, Cotter 1/8 x 1
9	71241 Brake Rod	31	71223 Pin, Cotter 1/8 x 1
10	5454P Spring, Compression 1/2" Dia. x 1.125" Hgt.	32	74419 Clutch Fork
11	5454P Spring, Compression 1/2" Dia. x 1.125" Hgt.	33	3731 Park Brake Rod
12	6923P Spring, Compression 1/2" Dia. x 1.125" Hgt.	34	3731 Park Brake Rod
13	6923P Spring, Compression 1/2" Dia. x 1.125" Hgt.	35	71222 Pin, Peen
14	1010P Spring, Compression 1/2" Dia. x 1.125" Hgt.	36	71222 Pin, Peen
15	73972 Brake Rod	37	67285 Foot Pedal
16	73972 Brake Rod	38	71199 Foot Pedal
17	2503P Spring, Compression 1/2" Dia. x 1.125" Hgt.	39	71199 Foot Pedal
18	1525B Spring, Compression 1/2" Dia. x 1.125" Hgt.	40	71199 Foot Pedal
19	1525B Spring, Compression 1/2" Dia. x 1.125" Hgt.	41	71199 Foot Pedal
20	71239 Spring, Compression 1/2" Dia. x 1.125" Hgt.	42	71199 Foot Pedal
21	71201 U-Bolt, Brake	43	71199 Foot Pedal
22	71201 U-Bolt, Brake	44	71199 Foot Pedal

*STANDARD HARDWARE—PURCHASE LOCALLY

REPAIR PARTS

CHASSIS



36" RIDING LAWN TRACTOR—MODEL NUMBER L8218CR

REPAIR PARTS

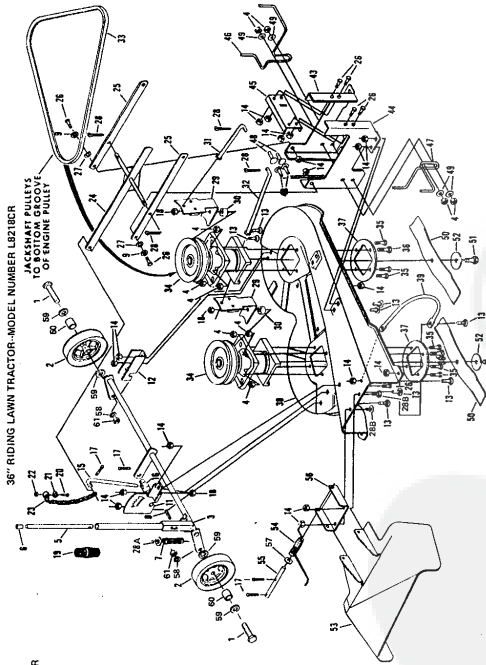
CHASSIS

REF. PART NO.	DESCRIPTION	REF. PART NO.	DESCRIPTION
1	3884 Fender, L.H.	35	1564J Remco Control Arm, R/C
2	3884 Fender, R.H.	36	6122P Nut, Hex Head 5/16 - 18 x 3.4
3	1135J Foot Rest, L.H.	37	6122P Nut, Hex Head 5/16 - 18 x 3.4
4	1135J Foot Rest, R.H.	38	6905P Spring, Compression 1/2" Dia. x 1.125" Hgt.
5	1460J Foot Rest, R.H. 5/16 - 18 x 3/4	39	6905P Spring, Compression 1/2" Dia. x 1.125" Hgt.
6	5759P Nut, Lock 5/16 - 18 UNC	40	75078 Nut, Lock 5/16 - 18 UNC
7	5759P Nut, Lock 5/16 - 18 UNC	41	1135J Foot Rest, L.H.
8	5759P Nut, Lock 5/16 - 18 UNC	42	1135J Foot Rest, R.H.
9	5759P Nut, Lock 5/16 - 18 UNC	43	67761Z Head Assy, Washer Hd.
10	5759P Nut, Lock 5/16 - 18 UNC	44	3884P Head Assy, Washer Hd.
11	5759P Nut, Lock 5/16 - 18 UNC	45	74415 Full Cap
12	1135J Foot Rest, L.H.	46	74415 Full Cap
13	1135J Foot Rest, R.H.	47	74415 Full Cap
14	3302P Bolt, Hex Head 1/2 - 13 x 1.1 Cu.	48	1885J Eye Bolt
15	3302P Bolt, Hex Head 1/2 - 13 x 1.1 Cu.	49	1885J Eye Bolt
16	1000P Washer, Lock 1/2 - 13 x 1.1 Cu.	50	2711P Bolt, Hex Head 5/16 - 18 x 2.34
17	1000P Washer, Lock 1/2 - 13 x 1.1 Cu.	51	2711P Bolt, Hex Head 5/16 - 18 x 2.34
18	2010P Trans. Support	52	2711P Bolt, Hex Head 5/16 - 18 x 2.34
19	2010P Trans. Support	53	2711P Bolt, Hex Head 5/16 - 18 x 2.34
20	2010P Trans. Support	54	2711P Bolt, Hex Head 5/16 - 18 x 2.34
21	2010P Trans. Support	55	2711P Bolt, Hex Head 5/16 - 18 x 2.34
22	2010P Trans. Support	56	2711P Bolt, Hex Head 5/16 - 18 x 2.34
23	2010P Trans. Support	57	2711P Bolt, Hex Head 5/16 - 18 x 2.34
24	2010P Trans. Support	58	2711P Bolt, Hex Head 5/16 - 18 x 2.34
25	67761Z Head Assy, Washer Hd.	59	2711P Bolt, Hex Head 5/16 - 18 x 2.34
26	3884P Head Assy, Washer Hd.	60	2711P Bolt, Hex Head 5/16 - 18 x 2.34
27	74415 Full Cap	61	2711P Bolt, Hex Head 5/16 - 18 x 2.34
28	74415 Full Cap	62	2711P Bolt, Hex Head 5/16 - 18 x 2.34
29	74415 Full Cap	63	2711P Bolt, Hex Head 5/16 - 18 x 2.34
30	74415 Full Cap	64	2711P Bolt, Hex Head 5/16 - 18 x 2.34
31	74415 Full Cap	65	2711P Bolt, Hex Head 5/16 - 18 x 2.34
32	74415 Full Cap	66	2711P Bolt, Hex Head 5/16 - 18 x 2.34
33	74415 Full Cap	67	2711P Bolt, Hex Head 5/16 - 18 x 2.34
34	74415 Full Cap	68	2711P Bolt, Hex Head 5/16 - 18 x 2.34

*STANDARD HARDWARE—PURCHASE LOCALLY

REPAIR PARTS

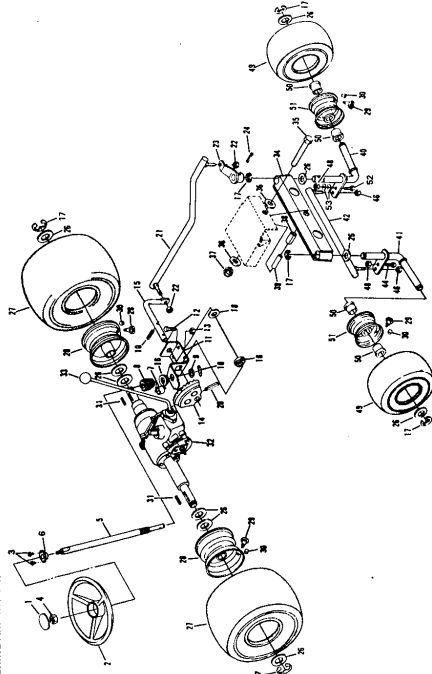
MOWER



36" RIDING LAWN TRACTOR—MODEL NUMBER L821BCR
 *PULLEY IS A STANDARD HARDWARE PURCHASE LOCALLY

REPAIR PARTS

STEERING AND WHEELS



36" RIDING LAWN TRACTOR—MODEL NUMBER L821BCR

REPAIR PARTS

MOWER

36" RIDING LAWN TRACTOR—MODEL NUMBER L821BCR

REF. NO.	PART NO.	DESCRIPTION
1	3199P	Hex Bolt 3/8" x 2 1/4" Gr. 5
2	67284A	Clutch Wheel Assembly
3	545P	Nut, Lock 3/8" x 18 UNC
4	9479R	Cap Lever Plunger
5	8569R	Spring
6	8569R	Spring
7	1599P	Washer, 1.022 x 3/4 x 18 Ga.
8	71300	Bolt, Carriage 5/16" x 18 x 3/4 Gr. 5
9	67237	Adjustment Rod
10	576P	Locknut Washer 3/8" x 18 UNC
11	2503P	"Cover Pin 3/32 x 3/4
12	17172	"Screw, Pan Hd. Machine 1/4" x 20 x 1
13	3224P	"Screw, Pan Hd. Machine 1/4" x 20 x 1
14	729014	Pin, Chain
15	71937	Pin, Link
16	71815	Pin, Link
17	1615P	Spacer
18	1615P	Spacer
19	1615P	Spacer
20	1615P	Spacer
21	1615P	Spacer
22	1615P	Spacer
23	1615P	Spacer
24	1615P	Spacer
25	1615P	Spacer
26	1615P	Spacer
27	1615P	Spacer
28	1615P	Spacer
29	1615P	Spacer
30	1615P	Spacer
31	1615P	Spacer
32	1615P	Spacer
33	1615P	Spacer
34	1615P	Spacer
35	1615P	Spacer
36	1615P	Spacer
37	1615P	Spacer
38	1615P	Spacer
39	1615P	Spacer
40	1615P	Spacer
41	1615P	Spacer
42	1615P	Spacer
43	1615P	Spacer
44	1615P	Spacer
45	1615P	Spacer
46	1615P	Spacer
47	1615P	Spacer
48	1615P	Spacer
49	1615P	Spacer
50	1615P	Spacer
51	1615P	Spacer
52	67284	Clutch Wheel Assembly
53	545P	Nut, Lock 3/8" x 18 UNC
54	9479R	Cap Lever Plunger
55	8569R	Spring
56	8569R	Spring
57	1599P	Washer, 1.022 x 3/4 x 18 Ga.
58	71300	Bolt, Carriage 5/16" x 18 x 3/4 Gr. 5
59	67237	Adjustment Rod
60	576P	Locknut Washer 3/8" x 18 UNC
61	2503P	"Cover Pin 3/32 x 3/4
62	17172	"Screw, Pan Hd. Machine 1/4" x 20 x 1
63	3224P	"Screw, Pan Hd. Machine 1/4" x 20 x 1
64	729014	Pin, Chain
65	71937	Pin, Link
66	71815	Pin, Link
67	1615P	Spacer
68	1615P	Spacer
69	1615P	Spacer
70	1615P	Spacer
71	1615P	Spacer
72	1615P	Spacer
73	1615P	Spacer
74	1615P	Spacer
75	1615P	Spacer
76	1615P	Spacer
77	1615P	Spacer
78	1615P	Spacer
79	1615P	Spacer
80	1615P	Spacer
81	1615P	Spacer
82	1615P	Spacer
83	1615P	Spacer
84	1615P	Spacer
85	1615P	Spacer
86	1615P	Spacer
87	1615P	Spacer
88	1615P	Spacer
89	1615P	Spacer
90	1615P	Spacer
91	1615P	Spacer
92	1615P	Spacer
93	1615P	Spacer
94	1615P	Spacer
95	1615P	Spacer
96	1615P	Spacer
97	1615P	Spacer
98	1615P	Spacer
99	1615P	Spacer
100	1615P	Spacer

REPAIR PARTS

STEERING AND WHEELS

36" RIDING LAWN TRACTOR—MODEL NUMBER L821BCR

REF. NO.	PART NO.	DESCRIPTION
1	1114J	Steering Wheel Inset
2	561P	Steering Wheel
3	561P	Steering Wheel
4	103	Nut, Lock 1/2" x 20 UNF
5	103	Nut, Lock 1/2" x 20 UNF
6	103	Nut, Lock 1/2" x 20 UNF
7	103	Nut, Lock 1/2" x 20 UNF
8	103	Nut, Lock 1/2" x 20 UNF
9	103	Nut, Lock 1/2" x 20 UNF
10	103	Nut, Lock 1/2" x 20 UNF
11	103	Nut, Lock 1/2" x 20 UNF
12	103	Nut, Lock 1/2" x 20 UNF
13	103	Nut, Lock 1/2" x 20 UNF
14	103	Nut, Lock 1/2" x 20 UNF
15	103	Nut, Lock 1/2" x 20 UNF
16	103	Nut, Lock 1/2" x 20 UNF
17	103	Nut, Lock 1/2" x 20 UNF
18	103	Nut, Lock 1/2" x 20 UNF
19	103	Nut, Lock 1/2" x 20 UNF
20	103	Nut, Lock 1/2" x 20 UNF
21	103	Nut, Lock 1/2" x 20 UNF
22	103	Nut, Lock 1/2" x 20 UNF
23	103	Nut, Lock 1/2" x 20 UNF
24	103	Nut, Lock 1/2" x 20 UNF
25	103	Nut, Lock 1/2" x 20 UNF
26	103	Nut, Lock 1/2" x 20 UNF
27	103	Nut, Lock 1/2" x 20 UNF
28	103	Nut, Lock 1/2" x 20 UNF
29	103	Nut, Lock 1/2" x 20 UNF
30	103	Nut, Lock 1/2" x 20 UNF
31	103	Nut, Lock 1/2" x 20 UNF
32	103	Nut, Lock 1/2" x 20 UNF
33	5582	Roller Bar Assembly
34	677A91	Roller Bar Assembly
35	1615P	Spacer
36	1615P	Spacer
37	1615P	Spacer
38	1615P	Spacer
39	1615P	Spacer
40	1615P	Spacer
41	1615P	Spacer
42	1615P	Spacer
43	1615P	Spacer
44	1615P	Spacer
45	1615P	Spacer
46	1615P	Spacer
47	1615P	Spacer
48	1615P	Spacer
49	1615P	Spacer
50	1615P	Spacer
51	1615P	Spacer
52	1615P	Spacer
53	1615P	Spacer
54	1615P	Spacer
55	1615P	Spacer
56	1615P	Spacer
57	1615P	Spacer
58	1615P	Spacer
59	1615P	Spacer
60	1615P	Spacer
61	1615P	Spacer
62	1615P	Spacer
63	1615P	Spacer
64	1615P	Spacer
65	1615P	Spacer
66	1615P	Spacer
67	1615P	Spacer
68	1615P	Spacer
69	1615P	Spacer
70	1615P	Spacer
71	1615P	Spacer
72	1615P	Spacer
73	1615P	Spacer
74	1615P	Spacer
75	1615P	Spacer
76	1615P	Spacer
77	1615P	Spacer
78	1615P	Spacer
79	1615P	Spacer
80	1615P	Spacer
81	1615P	Spacer
82	1615P	Spacer
83	1615P	Spacer
84	1615P	Spacer
85	1615P	Spacer
86	1615P	Spacer
87	1615P	Spacer
88	1615P	Spacer
89	1615P	Spacer
90	1615P	Spacer
91	1615P	Spacer
92	1615P	Spacer
93	1615P	Spacer
94	1615P	Spacer
95	1615P	Spacer
96	1615P	Spacer
97	1615P	Spacer
98	1615P	Spacer
99	1615P	Spacer
100	1615P	Spacer

REPAIR PARTS

STEERING AND WHEELS

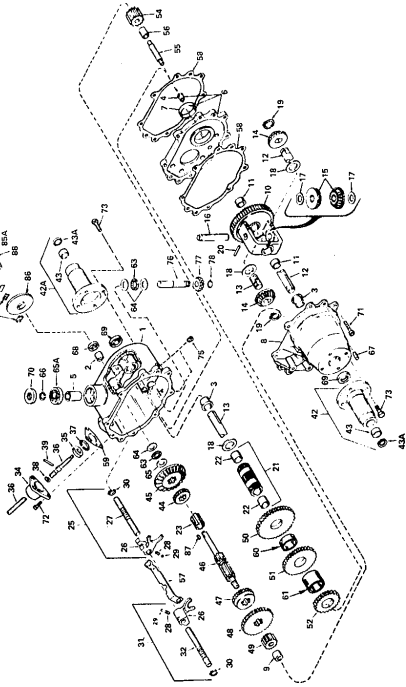
36" RIDING LAWN TRACTOR—MODEL NUMBER L821BCR

REF. NO.	PART NO.	DESCRIPTION
1	1114J	Steering Wheel Inset
2	561P	Steering Wheel
3	561P	Steering Wheel
4	103	Nut, Lock 1/2" x 20 UNF
5	103	Nut, Lock 1/2" x 20 UNF
6	103	Nut, Lock 1/2" x 20 UNF
7	103	Nut, Lock 1/2" x 20 UNF
8	103	Nut, Lock 1/2" x 20 UNF
9	103	Nut, Lock 1/2" x 20 UNF
10	103	Nut, Lock 1/2" x 20 UNF
11	103	Nut, Lock 1/2" x 20 UNF
12	103	Nut, Lock 1/2" x 20 UNF
13	103	Nut, Lock 1/2" x 20 UNF
14	103	Nut, Lock 1/2" x 20 UNF
15	103	Nut, Lock 1/2" x 20 UNF
16	103	Nut, Lock 1/2" x 20 UNF
17	103	Nut, Lock 1/2" x 20 UNF
18	103	Nut, Lock 1/2" x 20 UNF
19	103	Nut, Lock 1/2" x 20 UNF
20	103	Nut, Lock 1/2" x 20 UNF
21	103	Nut, Lock 1/2" x 20 UNF
22	103	Nut, Lock 1/2" x 20 UNF
23	103	Nut, Lock 1/2" x 20 UNF
24	103	Nut, Lock 1/2" x 20 UNF
25	103	Nut, Lock 1/2" x 20 UNF
26	103	Nut, Lock 1/2" x 20 UNF
27	103	Nut, Lock 1/2" x 20 UNF
28	103	Nut, Lock 1/2" x 20 UNF
29	103	Nut, Lock 1/2" x 20 UNF
30	103	Nut, Lock 1/2" x 20 UNF
31	103	Nut, Lock 1/2" x 20 UNF
32	103	Nut, Lock 1/2" x 20 UNF
33	5582	Roller Bar Assembly
34	677A91	Roller Bar Assembly
35	1615P	Spacer
36	1615P	Spacer
37	1615P	Spacer
38	1615P	Spacer
39	1615P	Spacer
40	1615P	Spacer
41	1615P	Spacer
42	1615P	Spacer
43	1615P	Spacer
44	1615P	Spacer
45	1615P	Spacer
46	1615P	Spacer
47	1615P	Spacer
48	1615P	Spacer
49	1615P	Spacer
50	1615P	Spacer
51	1615P	Spacer
52	1615P	Spacer
53	1615P	Spacer
54	1615P	Spacer
55	1615P	Spacer
56	1615P	Spacer
57	1615P	Spacer
58	1615P	Spacer
59	1615P	Spacer
60	1615P	Spacer
61	1615P	Spacer
62	1615P	Spacer
63	1615P	Spacer
64	1615P	Spacer
65	1615P	Spacer
66	1615P	Spacer
67	1615P	Spacer
68	1615P	Spacer
69	1615P	Spacer
70	1615P	Spacer
71	1615P	Spacer
72	1615P	Spacer
73	1615P	Spacer
74	1615P	Spacer
75	1615P	Spacer
76	1615P	Spacer
77	1615P	Spacer
78	1615P	Spacer
79	1615P	Spacer
80	1615P	Spacer
81	1615P	Spacer
82	1615P	Spacer
83	1615P	Spacer
84	1615P	Spacer
85	1615P	Spacer
86	1615P	Spacer
87	1615P	Spacer
88	1615P	Spacer
89	1615P	Spacer
90	1615P	Spacer
91	1615P	Spacer
92	1615P	Spacer
93	1615P	Spacer
94	1615P	Spacer
95	1615P	Spacer
96	1615P	Spacer
97	1615P	Spacer
98	1615P	Spacer
99	1615P	Spacer
100	1615P	Spacer

REPAIR PARTS

36" RIDING LAWN TRACTOR-MODEL NUMBER L821BCR
TRANSAKLE NO. 794191A-MODEL NUMBER 143.658A

ALL TRANSAKLE PARTS MUST
BE PURCHASED THROUGH OUR
LOCAL TECHNICAL DEALER.



REPAIR PARTS

36" RIDING LAWN TRACTOR-MODEL NUMBER L821BCR
TRANSAKLE NO. 794191A-MODEL NUMBER 143.658A

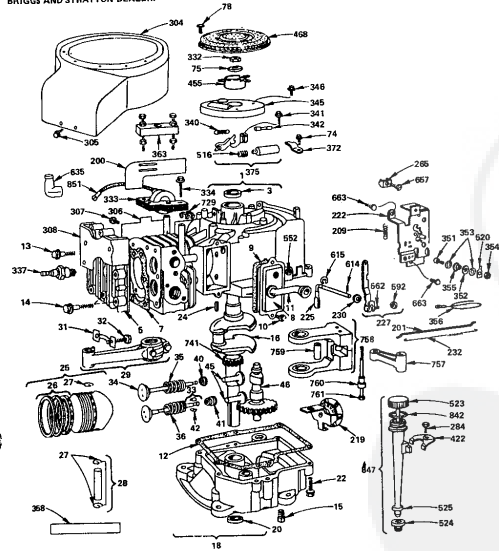
KEY NO.	PART NO.	DESCRIPTION	KEY NO.	PART NO.	DESCRIPTION
1	710217A	Complete Transaxle (inc. No. 2, 3 & 8)	46	710217A	Shaft, Input (3.0 Term)
2	710217B	Complete Transaxle (inc. No. 2, 3 & 8)	47	710217B	Shaft, Output (3.0 Term)
3	710217C	Complete Transaxle (inc. No. 2, 3 & 8)	48	710217C	Shaft, Output (3.0 Term)
4	710217D	Complete Transaxle (inc. No. 2, 3 & 8)	49	710217D	Shaft, Output (3.0 Term)
5	710217E	Complete Transaxle (inc. No. 2, 3 & 8)	50	710217E	Shaft, Output (3.0 Term)
6	710217F	Complete Transaxle (inc. No. 2, 3 & 8)	51	710217F	Shaft, Output (3.0 Term)
7	710217G	Complete Transaxle (inc. No. 2, 3 & 8)	52	710217G	Shaft, Output (3.0 Term)
8	710217H	Complete Transaxle (inc. No. 2, 3 & 8)	53	710217H	Shaft, Output (3.0 Term)
9	710217I	Complete Transaxle (inc. No. 2, 3 & 8)	54	710217I	Shaft, Output (3.0 Term)
10	710217J	Complete Transaxle (inc. No. 2, 3 & 8)	55	710217J	Shaft, Output (3.0 Term)
11	710217K	Complete Transaxle (inc. No. 2, 3 & 8)	56	710217K	Shaft, Output (3.0 Term)
12	710217L	Complete Transaxle (inc. No. 2, 3 & 8)	57	710217L	Shaft, Output (3.0 Term)
13	710217M	Complete Transaxle (inc. No. 2, 3 & 8)	58	710217M	Shaft, Output (3.0 Term)
14	710217N	Complete Transaxle (inc. No. 2, 3 & 8)	59	710217N	Shaft, Output (3.0 Term)
15	710217O	Complete Transaxle (inc. No. 2, 3 & 8)	60	710217O	Shaft, Output (3.0 Term)
16	710217P	Complete Transaxle (inc. No. 2, 3 & 8)	61	710217P	Shaft, Output (3.0 Term)
17	710217Q	Complete Transaxle (inc. No. 2, 3 & 8)	62	710217Q	Shaft, Output (3.0 Term)
18	710217R	Complete Transaxle (inc. No. 2, 3 & 8)	63	710217R	Shaft, Output (3.0 Term)
19	710217S	Complete Transaxle (inc. No. 2, 3 & 8)	64	710217S	Shaft, Output (3.0 Term)
20	710217T	Complete Transaxle (inc. No. 2, 3 & 8)	65	710217T	Shaft, Output (3.0 Term)
21	710217U	Complete Transaxle (inc. No. 2, 3 & 8)	66	710217U	Shaft, Output (3.0 Term)
22	710217V	Complete Transaxle (inc. No. 2, 3 & 8)	67	710217V	Shaft, Output (3.0 Term)
23	710217W	Complete Transaxle (inc. No. 2, 3 & 8)	68	710217W	Shaft, Output (3.0 Term)
24	710217X	Complete Transaxle (inc. No. 2, 3 & 8)	69	710217X	Shaft, Output (3.0 Term)
25	710217Y	Complete Transaxle (inc. No. 2, 3 & 8)	70	710217Y	Shaft, Output (3.0 Term)
26	710217Z	Complete Transaxle (inc. No. 2, 3 & 8)	71	710217Z	Shaft, Output (3.0 Term)
27	710217AA	Complete Transaxle (inc. No. 2, 3 & 8)	72	710217AA	Shaft, Output (3.0 Term)
28	710217AB	Complete Transaxle (inc. No. 2, 3 & 8)	73	710217AB	Shaft, Output (3.0 Term)
29	710217AC	Complete Transaxle (inc. No. 2, 3 & 8)	74	710217AC	Shaft, Output (3.0 Term)
30	710217AD	Complete Transaxle (inc. No. 2, 3 & 8)	75	710217AD	Shaft, Output (3.0 Term)
31	710217AE	Complete Transaxle (inc. No. 2, 3 & 8)	76	710217AE	Shaft, Output (3.0 Term)
32	710217AF	Complete Transaxle (inc. No. 2, 3 & 8)	77	710217AF	Shaft, Output (3.0 Term)
33	710217AG	Complete Transaxle (inc. No. 2, 3 & 8)	78	710217AG	Shaft, Output (3.0 Term)
34	710217AH	Complete Transaxle (inc. No. 2, 3 & 8)	79	710217AH	Shaft, Output (3.0 Term)
35	710217AI	Complete Transaxle (inc. No. 2, 3 & 8)	80	710217AI	Shaft, Output (3.0 Term)
36	710217AJ	Complete Transaxle (inc. No. 2, 3 & 8)	81	710217AJ	Shaft, Output (3.0 Term)
37	710217AK	Complete Transaxle (inc. No. 2, 3 & 8)	82	710217AK	Shaft, Output (3.0 Term)
38	710217AL	Complete Transaxle (inc. No. 2, 3 & 8)	83	710217AL	Shaft, Output (3.0 Term)
39	710217AM	Complete Transaxle (inc. No. 2, 3 & 8)	84	710217AM	Shaft, Output (3.0 Term)
40	710217AN	Complete Transaxle (inc. No. 2, 3 & 8)	85	710217AN	Shaft, Output (3.0 Term)
41	710217AO	Complete Transaxle (inc. No. 2, 3 & 8)	86	710217AO	Shaft, Output (3.0 Term)
42	710217AP	Complete Transaxle (inc. No. 2, 3 & 8)	87	710217AP	Shaft, Output (3.0 Term)
43	710217AQ	Complete Transaxle (inc. No. 2, 3 & 8)	88	710217AQ	Shaft, Output (3.0 Term)
44	710217AR	Complete Transaxle (inc. No. 2, 3 & 8)	89	710217AR	Shaft, Output (3.0 Term)
45	710217AS	Complete Transaxle (inc. No. 2, 3 & 8)	90	710217AS	Shaft, Output (3.0 Term)

REPAIR PARTS

36" RIDING LAWN TRACTOR-MODEL NUMBER L821BCR
BRIGGS & STRATTON 8 H.P. ENGINE-MODEL NO. 191707, TYPE NO. 5627-01

CYLINDER, CRANKSHAFT AND ENGINE BASE GROUP

ALL ENGINE PARTS MUST BE PURCHASED THROUGH AND SERVICE PERFORMED BY YOUR LOCAL BRIGGS & STRATTON DEALER.



REPAIR PARTS

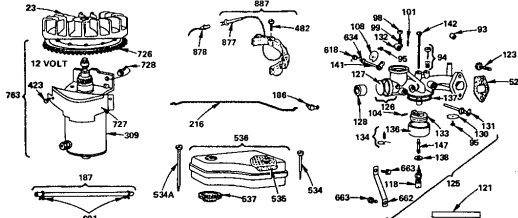
36" RIDING LAWN TRACTOR-MODEL NUMBER L821BCR
BRIGGS & STRATTON 8 H.P. ENGINE-MODEL NO. 191707, TYPE NO. 5627-01

KEY NO.	PART NO.	DESCRIPTION	KEY NO.	PART NO.	DESCRIPTION
1	392005	Cylinder Assembly (Inc. Key No. 3)	227	391733	Lever Assy. - Governor (For 1/4" Dia. Crank)
2	284609	Bushing - Cylinder	230	222450	Washer - Gov. Lever (1/4" I.D.)
3	212288	Seal - Oil	232	260684	Spring - Governor Link
4	212288	Head - Cylinder	233	221539	Clamp - Casing
5	212288	Gasket - Cylinder	234	93804	Screw - Clamp Mtg.
6	391406	Breather Tube Assembly	304	391379	Housing - Blower
7	219031	Gasket - Valve Cover	305	31568	Screw - Blower Housing Mounting Sem
8	93539	Screw - Sem	306	222830	Shield - Cylinder
9	282095	Tube - Breather	307	83163	Screw - Cylinder Shield Mtg. Sem
10	27750	*Gasket - Crankcase Cover - 1/64" Thick	308	222830	Cover - Cylinder Head
11	27750	*Gasket - Crankcase Cover - .005" Thick	332	92294	Nut, Flywheel
12	27876	*Gasket - Crankcase Cover - .009" Thick	333	298983	Armature Assembly
12	27877	*Gasket - Crankcase Cover - .009" Thick	334	93381	Screw, Armature Mounting Sem
13	93211	Screw - Cylinder Head (2 - 21/32" Long)	337	293918	Plug, Spark (1 - 1/2" High - 38 M.M. Resistor)
14	93723	Screw - Cylinder Head (3" Long)	340	NOTE:	Ignition Cable Terminal No. 221798
15	91786	Plug - Oil Drain	340	26018	Spring - Breaker Arm
16	391757	Crankshaft	341	93381	Screw - Breaker Arm Mounting Sem
18	298316	Sump - Oil (Inc. Key No. 12 & 20)	342	65704	Plunger - Breaker Point
20	299423	Seal - Oil	345	222117	Cover - Breaker Point
22	93585	Screw - Sump	348	83705	Screw - Sem
24	61750	Key - Flywheel	351	91820	Screw - Terminal
26	391873	Piston Assy. - Std.	352	86068	Washer - Lock Shakespot
26	391874	Piston Assy. - .010" O.S.	353	92791	Washer - Lock Shakespot
26	391875	Piston Assy. - .020" O.S.	354	90576	Nut - Hex 8 - 32
26	391876	Piston Assy. - .030" O.S.	355	96554	Collar - Insulating
26	391877	Piston Assy. - .040" O.S.	356	299500	Wire - Ground
26	299743	Ring Set - Piston - Std. Chrome	358	299577	Gasket Set
26	391878	Ring Set - Piston - .010" O.S.	363	19105	Filler - Flywheel
26	391879	Ring Set - Piston - .020" O.S.	372	220477	Clamp - Condenser
26	391880	Ring Set - Piston - .030" O.S.	375	294628	Breaker Points and Condenser Set
27	68546	Lock - Piston Pin	NOTE:	299981	Ignition Kit Includes 294628 Point Set, 85704 Plunger, 61760 Key, Flywheel
28	295849	Pin Assembly - Piston - Standard	422	222526	Cham. Oil Filter Tube
28	295851	Pin Assembly - Piston - .005" O.S.	465	222561	Cup - Screen Mounting
29	390402	Rod Assy. - Connecting	468	93762	Screw - Flush Rotating
NOTE:		For Connecting Rod with .020" Undersize Crankpin Bore - Order No. 390773	516	260374	Spring - Connector
31	222114	Lock - Connecting Rod Screw	523	391840	Cap and Dipstick - Oil Filter
32	93559	Screw - Connecting Rod	524	86838	Seal - Filler Tube
33	390419	Valve - Exhaust	525	93772	Tube - Oil Filter
34	291065	Valve - Intake	525	391823	Tube - Oil Filter
35	65906	Spring - Intake Valve	552	231055	Bushing - Gov. Crank (1/4" I.D.)
35	292200	Spring - Exhaust Valve	614	93308	Cutter - Hair Pin
38	26026	Retainer - Intake Valve	615	93507	Retainer - E Ring
41	292200	Rotocool - Exhaust Valve	635	66538	Elbow - Spark Plug
42	93630	Rotocool - Exhaust Valve Rotocool	657	93436	Screw - Sem
45	260293	Tappet - Valve	663	93572	Screw
46	211689	Cam - Governor	729	221807	Clip - Wire
74	93042	Screw - Sems	741	261195	Gear - Timing
75	220805	Washer - Spring	757	212799	Link - Counterweight
78	93055	Screw - Sem	758	390172	Counterweight Assy.
200	221700	Guide - Air	759	298909	Pin - Counterweight
201	260071	Link - Governor	760	290340	Sprocket - Counterweight
209	261306	Screw - Governor	761	93874	Screw - Counterweight
219	392718	Oil Slinger - Gov. Gear and Bracket Assembly	842	270520	Seal - Filter Can
222	390662	Plate - Gov. Control	847	392666	Filler Group - Oil
235	231058	Crank - Gov. (1/4" Dia.)	851	221798	Terminal - Ignition Cable

*INCLUDED IN GASKET SET - PART NO. 299577

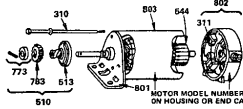
REPAIR PARTS

36" RIDING LAWN TRACTOR-MODEL NUMBER L8218CR
BRIGGS & STRATTON 8 H.P. ENGINE-MODEL NO. 191707, TYPE NO. 5627-01
AIR CLEANER, CARBURETOR AND FLYWHEEL GROUP



KEY NO.	PART NO.	DESCRIPTION	KEY NO.	PART NO.	DESCRIPTION
23	391983	Flywheel and Ring Gear Assy. - Magneto	218	281117	Link Choke
52	219924	Gasket - Carburetor Mounting	309	392749	Motor and Drive Assy. (See Break-down of Parts Below)
53	23108	Bushing - Throttle Shaft	423	93410	Screw - Sem
64	291691	Valve Assembly - Carburetor Idle			
66	63499	Screw - Throttle and Choke Valve Mtg. Sem	482	93621	Screw - Sem
68	81920	Screw - Machine Fill. Hd. 8-32 x 5/8"			
69	26157	Spring - Throttle Adjustment			
101	83043	Pin - Throttle Stop			
104	230696	*Pin - Float Hinge	534	93622	Screw - Air Cleaner
118	391233	*Valve Needle	534A	93323	Screw - Air Cleaner
121	298852	Carburetor Overhaul Kit	536	279528	Element - Air Cleaner
123	83357	Screw - Carburetor Mtg.	536	391399	Cleaner Assembly - Air
126	390811	Carburetor Assembly	601	53063	Support - Air Cleaner Element (Plastic)
126	298851	Body Assembly - Carburetor	637	270839	Gasket - Air Cleaner
127	221997	*Plug - Wadlet	637	33063	Clamp - Fuel Pipe
128	211862	Venturi - Carburetor	618	281118	Spring - Choke Return
130	221988	Valve - Throttle	634	210362	Washer - Choke Shaft
131	391512	Shaft and Lever - Throttle	662	222927	Bracket - Carburetor
132	211712	Stop - Throttle	663	93617	Screw
133	298707	Float - Carburetor	663	39134	Gear - Ring
134	298696	Float - Fuel Inlet	727	390233	Cover and Shield - Starter
136	221895	Bowl - Float	728	39023	Screw - Sem
137	218611	Gasket - Float Bowl	877	393814	Diode & Conn. Assembly
138	222014	Washer - Float Bowl	878	393422	Alt. Harness Assembly
141	390664	Shaft and Lever - Choke	887	391529	Stator-Alternator
142	290740	Nozzle - Carburetor			
147	232922	*Screw - Nozzle			
186	87216	Connector - Fuel Pipe			
187	299004	Pipe - Fuel			

STARTER MOTOR GROUP

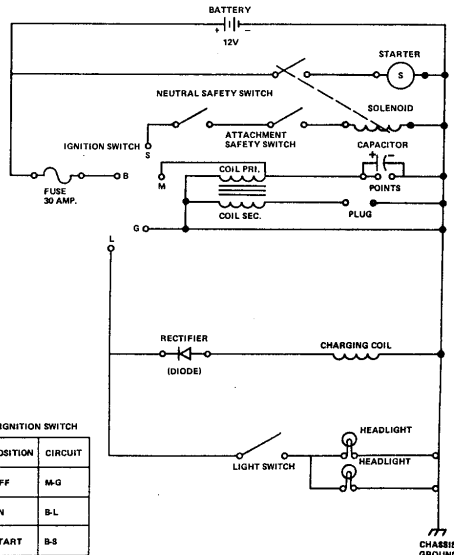


KEY NO.	PART NO.	DESCRIPTION
310	391709	Thru Bolt Assy.
311	391708	Brush Assy.
510	391481	*Drive Assy.
544	392747	Armature Assy.
801	391751	End Cap Assy. Drive
802	390846	End Cap Assy. Commutator
803	392744	Housing Assy.

* Includes Brush Set
* Includes No. 39135 Clutch Assy. (Key No. 513)
* Includes No. 890194 Gear (Key No. 783)
* Includes No. 391462 Retainer and Pin (Key No. 773)

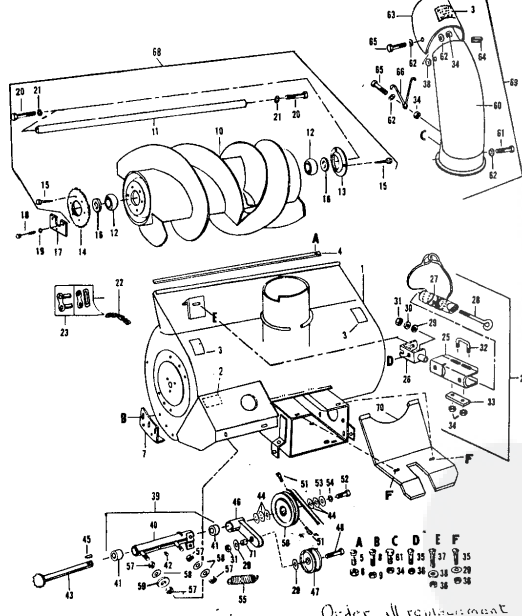
REPAIR PARTS

36" RIDING LAWN TRACTOR-MODEL NUMBER L8218CR
SCHEMATIC DIAGRAM



WIRING INSULATED CLIPS
If Insulated Clips were removed for servicing of unit, they should be replaced to properly secure your wiring. There are three Insulated Clips on your Tractor.
1. L.H. side of Tractor for safety switch wires (Key No. 28, page 14).
2. R.H. side of Tractor securing wire harness and cable wire (Key No. 31, page 14).
3. Headlight wire (Key No. 26, page 14).

36" ROOPER SNOW THROWER LAO49AR



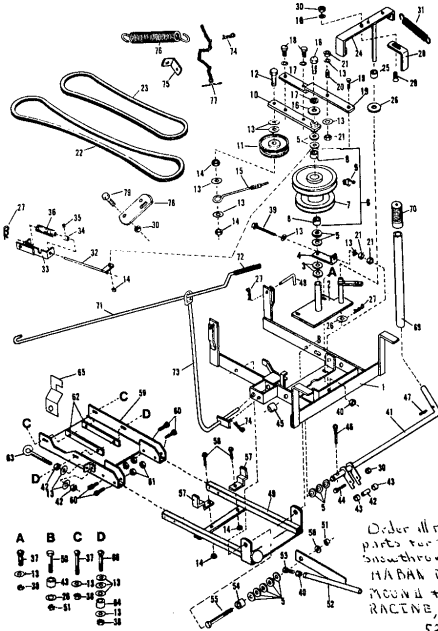
E519 (10.1.78)
Order all replacement parts for this model snow thrower from HABAN MFG CO. 100 W. W. PARKWAY RACINE, WIS. 53407

36" ROOPER SNOW THROWER LAO49AR

Ref. No.	Part No.	Description	No. Req.	Ref. No.	Part No.	Description	No. Req.
1	11372	Assy-Header & Decal	1	38	4506	* Washer-13/32 x 1-1/2 x 16 ga.	3
2	9713	Decal	1	39	11378	Assy-Jackshaft hsg. & Bushings	1
3	9663	Decal-Warning	3	40	11379	Assy-Jackshaft hsg.	1
4	3013	Blade-Scraper	1	41	3034	Bushing	2
5	7090	* Bolt-1/4-20 x 5/8 carriage	7	42	5074	* Fitting-Grease	1
6	GM271178	* Nut & Lock washer 1/4-20 hex.	2	43	3143	Assy-Jackshaft & sprocket	1
7	3045	Shoe-Skid	7	44	3396	* Washer-49/64 x 1-1/2 x .058 flat	1
8	STD533107	* Bolt-5/16-18 x 3/4 carriage	6	45	STD580103	* Key-3/16 sq. x 1	1
9	GM271184	* Nut & Lock washer 5/16-18 hex.	6	46	11381	Assy-Idler Arm	1
10	9044	Assy-Auger	1	47	11496	Assy-Idler Pulley	1
11	8350	Shaft-Auger	1	48	STD 723725	* Bolt - 3/8-16 x 2-1/2 hex hd	1
12	9052	Bearing-Auger Shaft	2	50	1384	Assy-Pulley & Hub	1
13	5473	Flange-Bearing	1	51	GM-142671	* Screw-Set 5/16-18 x 1/2 sq hd cap pt	2
14	8287	Sprocket-Auger (35 tooth)	1	52	STD523707	* Bolt-3/8-16 x 3/4 hex hd	1
15	9131	* Screw-5/16-18 x 3/4 Self-tapping	9	53	G4446363	* Washer-3/8 x 7/8 x .063 flat	1
16	4143	* Washer-1-1/32 x 1-1/2 x 1/8 flat	2	54	STD551137	* Washer-3/8 med lock Spring	1
17	8185	Plate-Auger mounting	1	55	3059	Washer	1
18	STD523106	* Bolt-5/16-18 x 5/8 hex hd	3	57	STD541050	* Nut-1/2-13 hex	4
19	STD551131	Washer-5/16 med lock	2	58	GM120389	* Washer-1/2 x 1-1/4 x .063 flat	3
20	STD525012	* Bolt-1/2-13 x 1-1/4 hex hd	2	59	6979	Washer	1
21	STD551150	Washer-1/2 med lock	2	60	4957	Assy-Deflector & Elbow	2
22	3911	Chain-Auger Drive (70 links)	1	61	STD522510	* Bolt-1/4-20x1/2 hex hd	2
23	8456	Repair Kit for Chain Bracket	1	62	3903	Washer-Cable	6
24	9283	Assy-Stack Drive	1	63	9766	Assy-Deflect & Deflector	1
25	9030	Shroud-Stack Drive	1	64	6558	Molding-Deflector	1
26	9032	Assy-Brt. & Tube	1	65	STD522507	* Bolt-1/4-20 x 3/4 hex hd	3
27	8346	Assy-Cable, Tube & Sleeves	1	66	3076	Hook-Lift Spring	1
28	3955	Eye Bolt-Drive Tube	1	68	9043	Assy-Auger (16) Comp.	1
29	GM120388	* Washer-7/16 x 1 x .063 flat	5	69	6457	Elbow	1
30	4772	Spring-Washer	1	70	11420	Guard-Drive Pulley	1
31	STD541437	Nut-3/8-16 hex lock	2	71	5711	Spacer	1
32	8236	U-Bolt-Level Wind	1				
33	8399	Strap-Friction	1				
34	STD541425	* Nut-1/4-20 hex lock	6				
35	STD533707	* Bolt-3/8-16 x 3/4 carriage	3				
36	GM271190	* Nut & Lock Washer 3/8-16 hex.	4				
37	STD533710	* Bolt-3/8-16 x 1 carriage	1				

E520 (10.1.78) *standard hardware - purchased locally

36" ROPER SNOW THROWER LA049AR



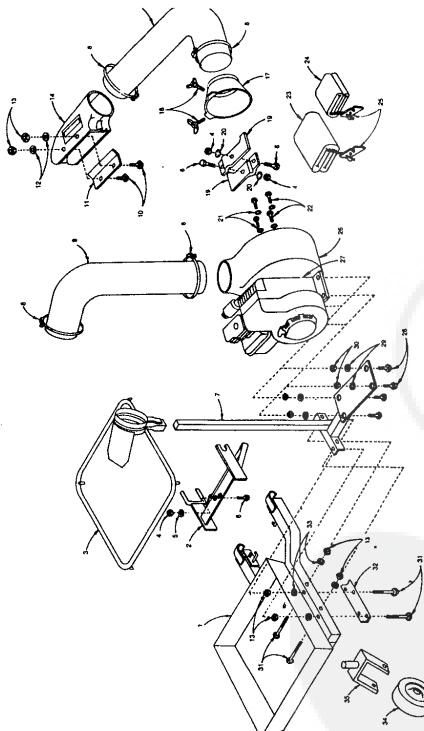
E521 (10.1.78)

36" ROPER SNOW THROWER LA049AR

Ref. No.	Part No.	Description	No. Req.	Ref. No.	Part No.	Description	No. Req.
1	11449	Assy - Mounting Frame (Upper)	1	41	7925	Assy - Lift Bar	1
2	11401	Assy - Pulley Mtg. Brkt.	1	42	3027	Spacer	1
3	STD551075	*Washer - 13/16 x 1-1/2 x .083 flat	1	43	1346	Spacer	1
4	11403	Bracket - 134 Flat	1	44	STD523120	Bolt - 5/16-18 x 2 hex	1
5	3396	*Washer - 49/64 x 1-1/2 x .0598 flat	12	45	6179	Spacer	1
6	9775	Assy - Pulley Hsg (comp)	1	46	GM120123	Pin - Cotter (1/8 x 1 1/2)	1
7	9776	Assy - Pulley Hsg.	1	47	STD551810	Pin - Roll (3/16 x 1)	1
8	8689	Bearing - Needle	2	48	5736	Pin - Locating	2
9	5074	*Fitting - Grease	1	49	9778	Assy - Mounting Frame	1
10	11404	Assy - Clutch Arm	1	50	STD525015	Bolt - 1/2-13 x 1-1/2 hex hd	2
11	11496	Idler pulley	1	51	STD541450	Nut - 1/2-13 hex lock	1
12	STD723725	*Bolt - 3/8-16 x 2-1/2 hex hd	1	52	9796	Assy - Lift brkt.	1
13	GM120388	*Washer - 7/16 x 1" x .083 flat	24	53	6441	Bolt - 3/8-16 x 2 hex hd full thd	1
14	STD541437	*Nut - 3/8-16 hex lock	5	54	11285	Spacer	1
15	11486	Wash - Bolt Gage	1	55	STD525020	Bolt - 1/2-13 x 2 hex	1
16	GM446363	*Washer - 3/8 x 7/8 x .083 flat	2	56	GM120389	*Washer - 1/2 x 1-1/4 x .083 flat	1
17	STD551137	*Washer - 3/8 med lock	3	57	11461	Stop - Position	2
18	STD523707	*Bolt - 3/8-16 x 3/4 hex hd	4	58	STD523710	Bolt - 3/8-16 x 1 hex	2
19	11407	Bracket - Clutch Lever	1	59	11417	Assy - Pivot Brkt.	1
20	11410	Stud - Brake Release	1	60	STD523117	Bolt - 5/16-18 x 1-3/4 hex hd	4
21	STD541237	*Nut - 3/8-16 hex jam	4	61	STD541431	*Nut - 5/16-18 hex lock	4
22	11361	V-belt	1	62	11418	Strap - Header Channel	2
23	11367	V-belt	1	63	3058	Eye Bolt	2
24	11442	Assy - Belt Brake	1	64	5713	Spacer	2
25	6017	Spacer	3	65	11419	Bracket	1
26	STD551050	*Washer - 17/32 x 1-1/16 x .095	3	66	GM126422	Bolt - 3/8-16 x 2-1/4 carriage	2
27	STD624005	*Pin - Hair	4	69	6078	Handle - Lift	1
28	11414	Popper - V-belt	1	70	3339	Grip - Handle	1
29	STD533110	*Bolt - 5/16-18 x 1" carriage	1	71	4355	Roll - Crank	1
30	GM271184	*Nut & L/washer 5/16 -18 hex	6	72	10840	Handle - Grip	1
31	3059	Spring	1	73	11430	Assy - Crank Support	1
32	11458	Assy - Clutch Rod	1	74	STD624010	Pin - Hair Cotter	2
33	11019	Assy - Clutch Brkt.	1	75	7630	Bracket	1
34	10817	Collar	1	76	4798	Spring - Lift	1
35	4122	*Set Screw - 5/16-18 x 5/16 socket	4	77	5737	Assy - Chain & Toggle	1
36	3077	Spring	1	78	9222	Strap - Rear Mtg.	2
37	STD533710	*Bolt - 3/8-16 x 1 carr	1	79	STD523108	Bolt - 5/16-18 x 5/8 hex hd	4
38	GM271190	*Nut & L/washer 3/8 -16 hex	6	NP	11558	Manual - Instruction and Repair	1
39	6475	*Bolt - 3/8-16 x 3-1/2 full thd hex hd	1				
40	STD541037	*Nut - 3/8-16 Lt hex	6				

E522 (10.1.78)

*Standard Hardware - Purchased Locally



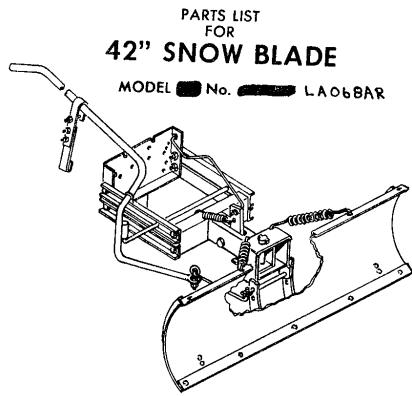
Repair Parts, PEC-301

REPAIR PARTS

LA05 Model Number PEC-301

KEY NO.	PART NUMBER	DESCRIPTION	REQ'D.
1	C-1-A	Tray and Support Assembly	1
2	C-4-N	Hitch Assembly	1
3	C-2-A	Bag Support Ring	1
4	STD-541050	Hex Nut, 1/2-13	3
5	STD	Lockwasher, 1/2 SAE	1
6	STD-525015	Hex Bolt, 1/2-13 x 1-1/2	3
7	C-3-A	Engine Support and Upright	1
8	C-10-A	Hose Clamp, 6" Dia.	4
9	C-18-A	Flex Hose, 6" Dia. x 40" Long	1
10	STD-533710	Carriage Bolt, 3/8-16 x 1	2
11	C-25-A	Boot Clamp Plate	1
12	STD-51037	Flat Washer, 3/8 SAE	2
13	STD-541237	Hex Nut, 3/8-16	6
14	B-361	Boot, 36" Hower Deck	1
16	C-27-A	Flex Hose, 6" Dia. x 36" Long	1
17	C-9-A	Blower Cone, 6" Dia.	1
18	W516182N	Wing Bolt, 5/16-18 x 2	2
19	W516182N	Wing Bolt, 5/16-18 x 2	2
19	C-11-A	Blower Blades (Set)	1
20	STD-551250	Internal Tooth Lockwasher, 1/2	2
21	STD-641231	Internal Tooth Lockwasher, 5/16	4
22	STD-623107	Hex Bolt, 5/16-24 x 7/8	4
23	C-16-A	Canvas Bag	1
24	C-17-A	Canvas Bag Cover	1
25	C-29-A	Full Cord Fastener	2
26	C-8-A	Blower Housing	1
27	143.654192	Tecumseh H35 45462L Model No. 143.654192	1
28	STD-523115	Hex Bolt, 5/16-18 x 1-1/2	4
29	STD-551131	Lockwasher, 5/16 SAE	4
30	STD-541131	Hex Nut, 5/16-18	4
31	STD-523725	Hex Bolt, 3/8-16 x 2-1/2	4
32	C-24-A	Reinforcing Angle	1
33	STD-551137	Lockwasher, 3/8 SAE	4
34	C-27-A	Wheel, 8-1/4" Dia. x 2-3/4 Wide	1
35	C-28-A	Caster Assembly	1
	PEC-301	Owner's Manual	1

Order All Replacement Parts For Model LA05
PE-CO
2807 Sweeten Creek Road,
Ashville, N.C. 28803



42" SNOW BLADE KIT PARTS LIST

Order Parts From
Peeco Inc.
1902 South Main
South Bend, Ind
46613

Part No.	Description	Qty.	Part No.	Part No.	Description	Qty.	Part No.
1	Blade Assembly	1	110001	19	Latch, Lower	1	110071
2	Drawbar Assembly	1	110004	20	Screw, Hex. Hd. Cap (5/16" x 1 1/2")	2	20059
3	Frame Assembly	1	110002	21	Screw, Hex. Hd. Cap (5/16" x 1 1/2")	1	20060
4	Parallel Bar Assembly - Upper	1	110005	22	Screw, Hex. Hd. Cap (3/8" x 1 1/2")	8	20061
5	Parallel Bar Assembly - Lower	1	110006	23	Screw, Hex. Hd. Cap (3/8" x 1 1/2")	1	20043
6	Frame Mount Assembly	1	110007	24	Bolt, Chelega (1/4" x 3 1/4")	5	110010
7	Handle Assembly	1	120001	25	Bolt, Chelega (1/4" x 1 1/4")	4	110044
8	Blade Grip	1	20001	26	Bolt, Flat (1/4" x 1 1/4")	1	110045
9	Link, Index	1	20002	27	Washer, Med. Splitlock (1/4")	5	20010
10	Link, Pivot	1	20003	28	Washer, Med. Splitlock (3/8")	5	20011
11	Bar, Index	1	110008	29	Washer, Med. Splitlock (3/8")	5	20012
12	Latch, Upper	1	110007	30	Washer, Flat (5/16" x 3/4")	5	20018
13	Spring, Blade	2	80001	31	Nut, Hex (1/4" x 1/2")	8	20019
14	Spring, Tension	1	80001	32	Nut, Hex (5/16" x 1/2")	5	20020
15	Pin, Quarter	2	20002	33	Nut, Hex (5/16" x 1/2")	5	20021
16	Rod, Control	1	20003	34	Pin, Coner (1/8" x 1")	5	20015
17	Shaver, Parallel Bar	8	12006	35	Nut, Hex (5/16" x 1/2")	5	20022
18	Extension, Handle	1	20004	36	Handle Bar Grip	1	80001

MINIMUM PARTS ORDER \$5.00. ALL STANDARD HARDWARE ITEMS MAY BE PURCHASED LOCALLY.