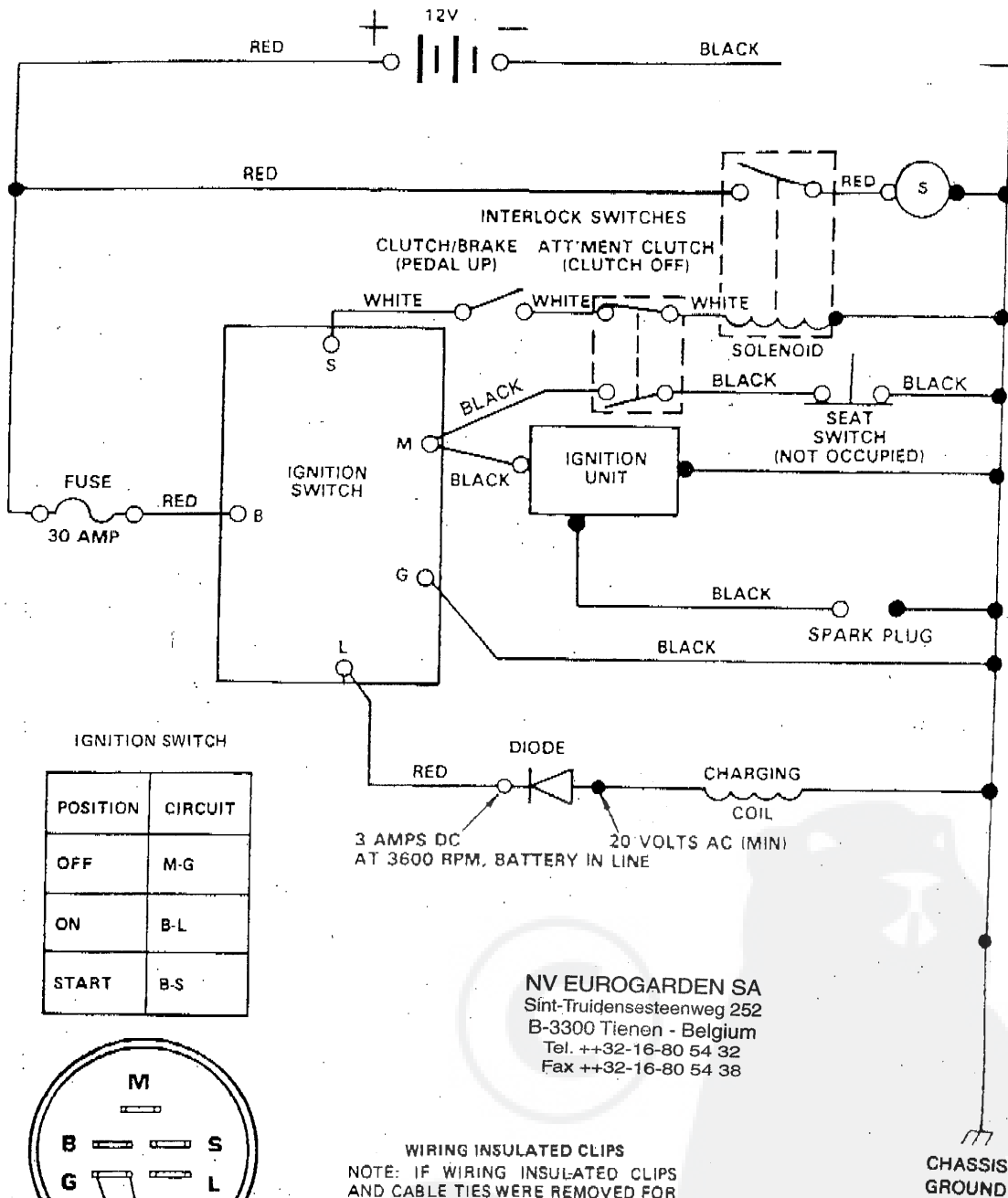


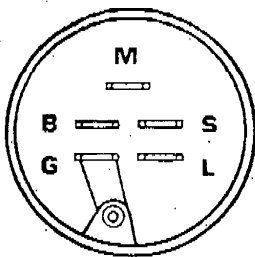
K9224BR, K9224BT, K9224BF AND K9224BE

SCHEMATIC DIAGRAM



IGNITION SWITCH

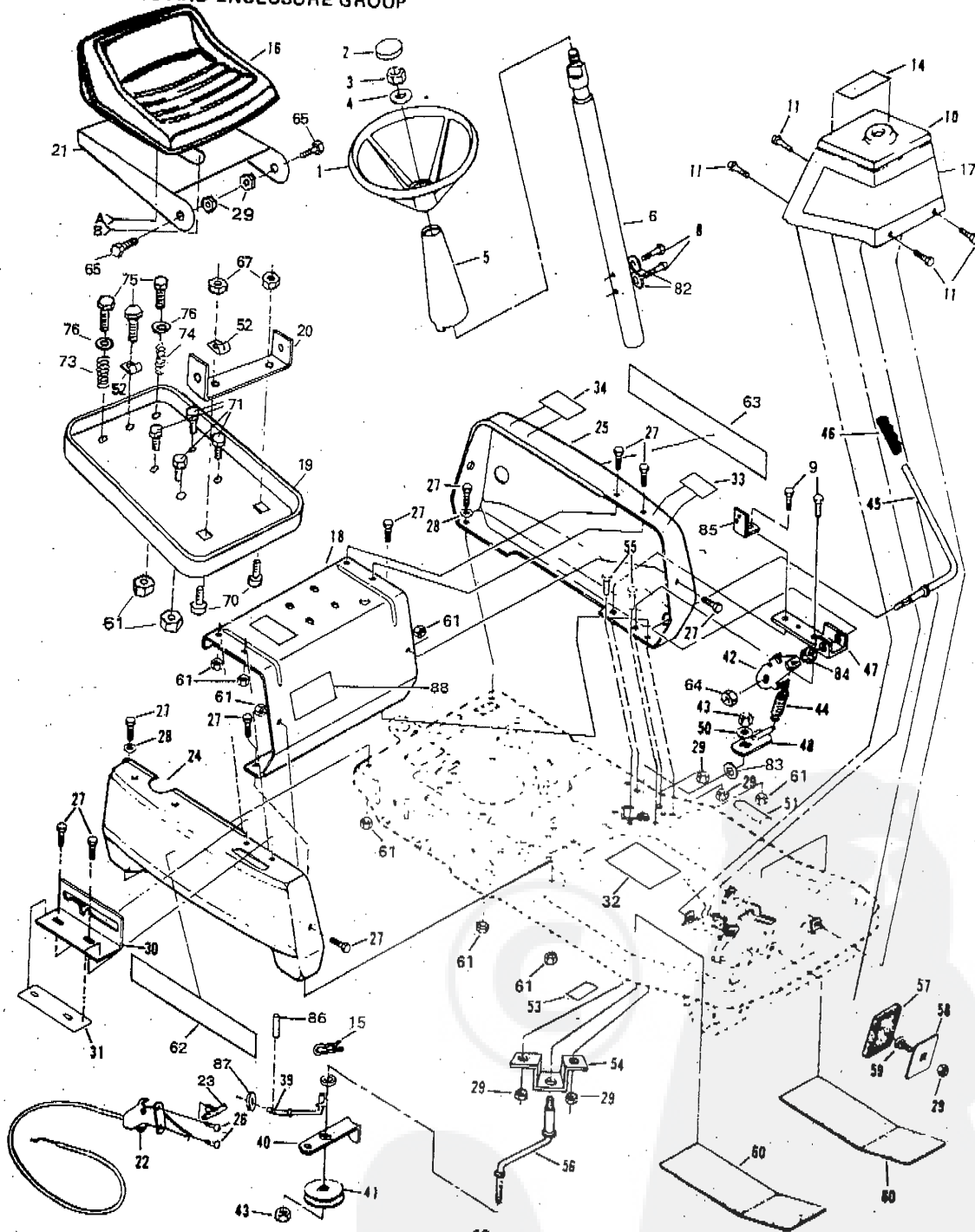
| POSITION | CIRCUIT |
|----------|---------|
| OFF | M-G |
| ON | B-L |
| START | B-S |



NV EUROGARDEN SA
 Sint-Truidensesteenweg 252
 B-3300 Tienen - Belgium
 Tel. ++32-16-80 54 32
 Fax ++32-16-80 54 38

WIRING INSULATED CLIPS
 NOTE: IF WIRING INSULATED CLIPS AND CABLE TIES WERE REMOVED FOR SERVICING OF UNIT, THEY SHOULD BE REPLACED TO PROPERLY SECURE YOUR WIRING.

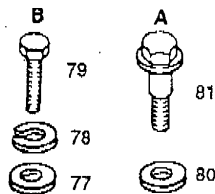
STEERING AND ENCLOSURE GROUP
K9224BR, K9224BT, K9224BF AND K9224BE



**KEAH ENGINE HIDING LAWN MOWER--MODEL NUMBERS
K9224BR, K9224BT, K9224BF AND K9224BE**

STEERING AND ENCLOSURE GROUP

| KEY NO. | PART NO. | DESCRIPTION | KEY NO. | PART NO. | DESCRIPTION |
|---------|------------|--|---------|----------|--|
| 1 | 74564 | Steering Wheel | 46 | 7822J | Grip |
| 2 | 1114J | Insert Cap | 47 | 110953X | Handle Bracket |
| 3 | 73360800 | * Jam Nut 1/2-20 | 48 | 75339 | Control Arm Assembly |
| 4 | 19171616 | Washer 17/32 x 1 x 16 Ga. | 50 | 19131407 | Washer 13/32 x 7/8 x 7 Ga. |
| 5 | 120048X | Steering Shaft Cover | 51 | 74559 | Decal-Enter and Exit Model K9224BR |
| 6 | 110098X | Steering Shaft Assembly | 51 | 8045J | Decal-Enter and Exit Models K9224BT and K9224BF |
| 8 | 74780416 | * Bolt, Hex 1/4-20 x 1 | 51 | 120671X | Decal-Enter and Exit, Model K9224BE |
| 9 | 72140508 | * Bolt, Carriage 5/16-18 x 3/4 | 52 | 2751R | Clip-Wire |
| 10 | 120047X013 | Console Assembly Model K9224BR | 53 | 376J | Decal-Clutch and Brake, Model K9224BR |
| 10 | 120047X014 | Console Assembly Models K9224BT and K9224BF | 53 | 1133J | Decal-Clutch and Brake, Model K9224BR and K9224BF |
| 10 | 120047X015 | Console Assembly Model K9224BE | 53 | 120675X | Decal-Clutch and Brake, Model K9224BE |
| 11 | 17490508 | Screw, Hex Thread Rolling 5/16-18 x 1/2 | 54 | 7454Z | Idler Support Bracket |
| 14 | 75122 | Decal-Operating Instructions, Model K9224BR | 55 | 74760512 | * Bolt, Hex 5/16-18 x 3/4 |
| 14 | 8040J | Decal-Operating Instructions, Models K9224BT and K9224BF | 56 | 6077J | Idler Arm |
| 15 | 4497H | Spring-Retainer | 57 | 67365 | Foot Pad |
| 16 | 121076X | Seat | 58 | 67189 | Foot Pedal Plate |
| 17 | 109393X | Decal-Console | 59 | 72140506 | Bolt, Sq. Neck Carriage 5/16-18 x 3/4 Gr. 5 |
| 18 | 110981X366 | Front Panel, Models K9224BR and K9224BT | 60 | 72384 | Floor Board Pad |
| 18 | 120703X366 | Front Panel, Models K9224BF and K9224BE | 61 | 73510500 | Nut - Keps 5/16 - 18 |
| 19 | 110963X | Support Seat | 62 | 109392X | Decal-Fender, R.H. |
| 20 | 105613X | Bracket-Pivot | 63 | 109391X | Decal-Fender, L.H. |
| 21 | 121069X | Pin-Seat | 64 | 73930600 | Nut - Centerlock 3/8-16 |
| 22 | 110976X | Throttle Control (Inc. Key No. 23), Models K9224BR and K9224BT | 65 | 105629X | Bolt-Shoulder 5/16-18 |
| 22 | 120702X | Throttle Control (Inc. Key No. 23), Models K9224BE and K9224BF | 66 | 19092016 | Washer |
| 23 | 61159 | Knob-Remote Control | 67 | 73680800 | * Locknut - Gripco 3/8-16 |
| 24 | 8034J366 | Panel-Side, R.H. | 70 | 72110606 | * Bolt - Carriage 3/8-16 x 3/4 |
| 25 | 8033J366 | Panel-Side, L.H. | 71 | 98000131 | * Screw-Hex Washer Head 5/16 - 18 x 3/4 |
| 26 | 17760412 | Screw, Phillips Truss Hd, Thread Cut 1/4-20 x 3/4 Type 23 | 73 | 121067X | Seat Spring, Right Hand |
| 27 | 98000131 | Screw, Hex Washer Hd, Machine 5/16-18 x 3/4 | 74 | 121068X | Seat Spring, Left Hand |
| 28 | 19111816 | Washer 11/32 x 1-1/8 x 16 Ga. | 75 | 17490612 | * Screw Hex, Threadrolling 3/8 - 18 x 1/34 |
| 29 | 73680500 | Locknut - Gripco 5/16-18 | 76 | 19131614 | * Washer 13/32 x 1 x 14 Ga. |
| 30 | 74706 | Shifter Gate | 77 | 19171912 | * Washer 17/32 x 1 3/16 x 12 Ga. |
| 31 | 74705 | Decal-Shift, 5 Speed, Model K9224BR | 78 | 10040800 | * Washer - Lock Heavy 1/2 |
| 31 | 108630X | Decal-Shift, 5 Speed, Models K9224BT, K9224BF and K9224BE | 79 | 74780818 | * Bolt-Hex Grade 5 1/2 - 13 x 1 |
| 32 | 120129X | ** Decal, Caution Model K9224BR | 80 | 19151616 | * Washer 15/32 x 1 x 16 Ga. |
| 32 | 120127X | ** Decal, Caution Models K9224BT and K9224BF | 81 | 121094X | Bolt - Shoulder 5/16 - 18 |
| 32 | 120674X | ** Decal, Caution Model K9224BE | 82 | 10040400 | * Washer - Lock 1/4 |
| 33 | 74561 | Decal-Blade, Model K9224BR | 83 | 67359 | * Washer - 25/64 x 2 3/8 x 8 Ga. |
| 33 | 8046J | Decal-Blade, Models K9224BT and K9224BF | 84 | 73651000 | Nut - Keps #10-32 |
| 33 | 120672X | Decal-Blade Model K9224BE | 85 | 110952X | Bracket Switch |
| 34 | 74512 | Decal-Engine, Rear Model K9224BR | 86 | 7877M | Rollpin |
| 34 | 8037J | Decal-Engine, Rear Models K9224BT and K9224BF | 87 | 19091016 | washer |
| 34 | 120670X | Decal-Engine, Rear Model K9224BE | 88 | --- | Plate, Certification (K9224BF only) |
| 39 | 120393X | Blade Brake Rod | --- | 120276X | Owner's Manual (English) Model Numbers K9224BR, K9224BT, K9224BF AND K9224BE |
| 40 | 6278J | Belt Keeper | --- | 101539X | Sheet-Instruction, Tractor 15° Slope (English) |
| 41 | 6109J | Idler Pulley | --- | 120597X | Owner's Manual (French) Model Numbers K9224BR, K9224BT, K9224BF AND K9224BE |
| 42 | 110954X | Arm Assembly - Spring | --- | 101673X | Sheet-Instruction, Tractor 15° Slope (French) |
| 43 | 73680600 | Nut-Crownlock 3/8-16 | --- | 120661X | Owner's Manual (German) Model Numbers K9224BR, K9224BT, K9224BF and K9224BE |
| 44 | 120484X | Spring | --- | 120776X | Sheet-Instruction, Tractor 15° Slope (German) |
| 45 | 74538 | Blade Clutch Lever | | | |

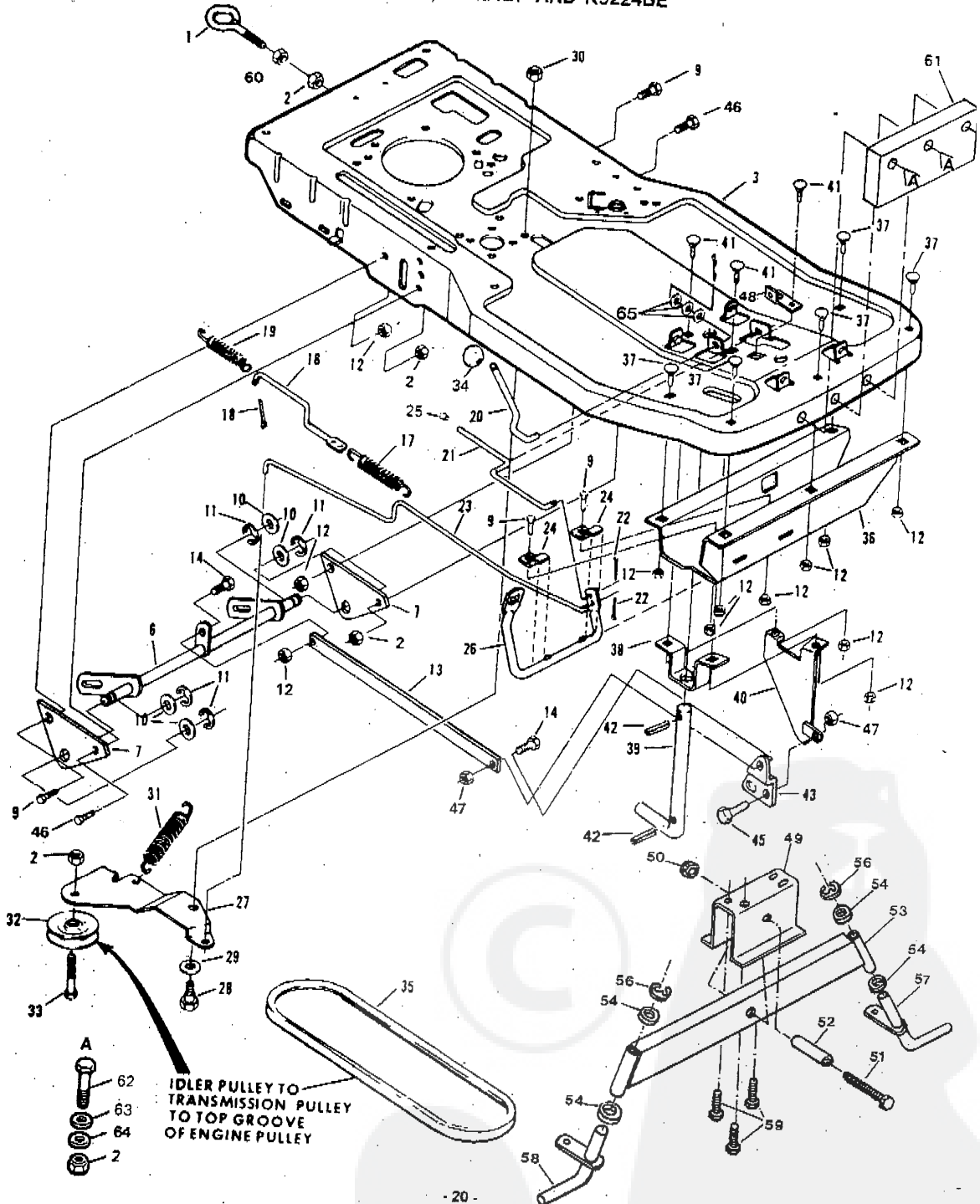


*STANDARD HARDWARE--PURCHASE LOCALLY

**NOT A SERVICE PART

CHASSIS

SMALL ENGINE RIDING LAWN MOWER--MODEL NUMBERS
K9224BR, K9224BT, K9224BF AND K9224BE



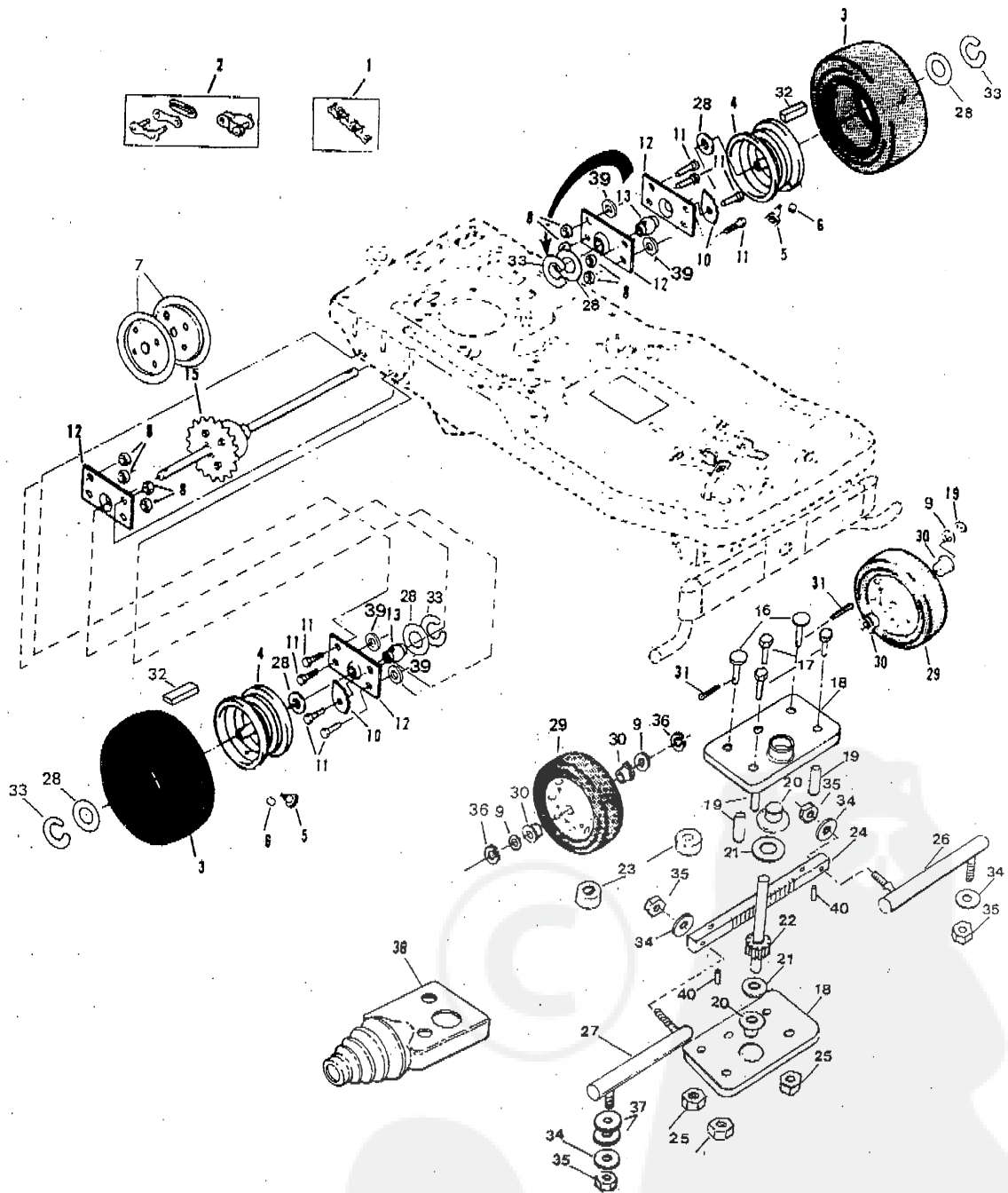
REAR ENGINE RIDING LAWN MOWER—MODEL NUMBERS
K9224BR, K9224BT, K9224BF AND K9224BE

CHASSIS

| KEY NO. | PART NO. | DESCRIPTION | KEY NO. | PART NO. | DESCRIPTION |
|---------|----------|---------------------------------|---------|----------|--|
| 1 | 3133J | Tow Hitch - Eyebolt | 31 | 110991X | Spring - Idler |
| 2 | 73680600 | *Nut - Crownlock 3/8 - 16 UNC | 32 | 53018 | Pulley - Idler |
| 3 | 110990X | Chassis | 33 | 15760624 | Bolt, Hex with Sems Lockwasher 3/8 - 16 x 1 1/2 |
| 6 | 677A774 | Lever Arm Assembly | 34 | 7803J | Knob |
| 7 | 110989X | Side Bracket | 35 | 67346 | V-Belt |
| 9 | 74760512 | *Bolt, Hex 5/16 - 18 x 3/4 | 36 | 110955X | Front Member Assembly |
| 10 | 19211616 | Washer 21/32 x 1 x 16 Ga. | 37 | 72140506 | Bolt, Carriage 5/16 - 18 x 3/4 Gr. 5 |
| 11 | 12000002 | E-Ring | 38 | 72375 | Lifter Bracket |
| 12 | 73680500 | Locknut - Gripco 5/16 - 18 | 39 | 110978X | Housing Lifter |
| 13 | 6276J | Parallel Bar | 40 | 677A776 | Bellcrank Bracket Assembly |
| 14 | 6092J | Bolt, Shoulder | 41 | 72140508 | Bolt, Carriage 5/16 - 18 x 1 Gr. 5 |
| 16 | 72386 | Brake Rod - Rear | 42 | 74576 | Drive Lock Pin - Type B |
| 17 | 64284 | Spring | 43 | 110985X | Bellcrank |
| 18 | 76020312 | *Cotter Pin 3/32 x 3/4 | 45 | 68475 | Bolt, Shoulder 5/16 - 18 x 3/4 |
| 19 | 62755 | Spring | 46 | 74760612 | Bolt, Hex 3/8 - 16 x 3/4 |
| 20 | 110979X | Lifter Handle | 47 | 73800500 | Locknut - Hex w/Insert 5/16 - 18 |
| 21 | 72361 | Parking Brake Rod | 48 | 110984X | Bracket - Pivot |
| 22 | 63640 | Cotter Pin 5/64 x 3/4 | 49 | 110965X | Saddle - Front Axle |
| 23 | 72393 | Motion Clutch and Brake Rod | 50 | 73680800 | Nut - Crwnlk. 1/2 - 13 |
| 24 | 120778X | Foot Pedal Clamp | 51 | 74760856 | Bolt - Hex 1/2 - 13 x 3 1/2 |
| 25 | 7733J | Plunger Cap | 52 | 4120J | Tube - Support |
| 26 | 72387 | Foot Pedal | 53 | 110959X | Axle Asm. |
| 27 | 67174 | Motion Idler | 54 | 71208 | Bushing |
| 28 | 101008K | Bolt, Shoulder 5/16 - 24 | 56 | 12000002 | Ring - E 5133-62 |
| 29 | 19172410 | Washer 17/32 x 1 - 1/2 x 10 Ga. | 57 | 110967X | Kingpin, L.H. |
| 30 | 73530500 | *Nut, Lock 5/16 - 24 | 58 | 110968X | Kingpin, R.H. |
| | | | 59 | 17490512 | Screw - Hex, Threadrolling 5/16 - 18 x 3/4 |
| | | | 60 | 73350600 | *Nut - Hex Jam 3/8 - 16 |
| | | | 61 | 120491X | Counterweight |
| | | | 62 | 74760652 | Bolt, Hex |
| | | | 63 | 19132012 | Washer |
| | | | 64 | 19131210 | Washer |
| | | | 65 | 19131416 | Washer 13/32 X 7/8 X 16 Ga. |

*STANDARD HARDWARE—PURCHASE LOCALLY

**REAR ENGINE RIDING LAWN MOWER--MODEL NUMBERS
K9224BR, K9224BT, K9224BF AND K9224BE**
WHEEL GROUP



REAR ENGINE RIDING LAWN MOWER—MODEL NUMBERS
K9224BR, K9224BT, K9224BF AND K9224BE

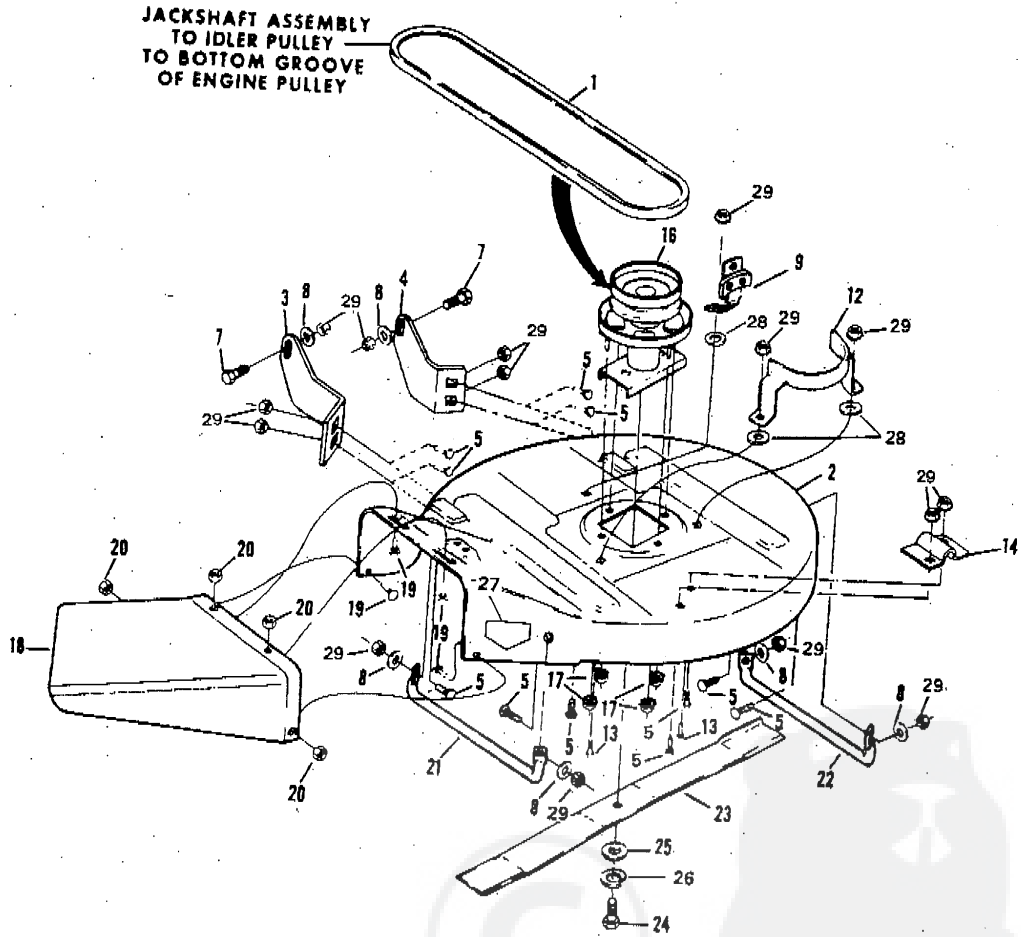
WHEEL GROUP

| KEY NO. | PART NO. | DESCRIPTION | KEY NO. | PART NO. | DESCRIPTION |
|---------|----------|---|---------|----------|--|
| 1 | 72818 | Chain | 21 | 101930X | Washer—Hardened |
| 2 | 60474 | Repair Link Kit (Inc. Offset and Connecting Link) | 22 | 110966X | Shaft—Pinion |
| 3 | 70302 | Tire 13-5.00 x 6 | 23 | 110983X | Roller—Rack Backup |
| — | 79568 | Tube—Tire (Not furnished with tractor) | 24 | 120049X | Rack—Steering |
| 4 | 70301 | Rim—Rear | 25 | 73680400 | Nut—Crownlock 1/4-26 |
| 5 | 65139 | Valve Stem | 26 | 120395X | Rod—Tie L.H. |
| 6 | 59192 | Valve Cap | 27 | 120396X | Rod—Tie R.H. |
| 7 | 120125X | Chain Guide Plate | 28 | 19252016 | Washer 25/32 x 1 1/4 x 16 Ga. |
| 8 | 73510500 | Nut—Keps 5/16-18 | 29 | 102754X | Wheel and Tire Assembly 10.50 x 3.50 (Inc. Key No. 30) |
| 9 | 19211612 | Washer 21/32 x 1 x 12 Ga. (1-3 as required) | 30 | 64906 | Bearing |
| 10 | 67703 | Chain Adjustment | 31 | 76020412 | Pin—Cotter 1/8 x 3/4 |
| 11 | 74760516 | Bolt—Hex Hd. 5/16-18 x 1 | 32 | 2703J | Key—Square 3/16 x 2 |
| 12 | 72382 | Bearing Cup | 33 | 12000001 | E—Ring #5133-75 |
| 13 | 100520K | Bearing | 34 | 10090400 | Washer—Lock Spring 1/4 |
| 15 | 110957X | Differential Assembly | 35 | 73610400 | Nut—Hex 1/4-28 UNF |
| 16 | 110996X | Rivet—Drilled | 36 | 12000002 | E—Ring |
| 17 | 74780420 | Bolt—Hex 1/4-20 x 1 1/4 Gr. 5 | 37 | 19091610 | Washer 1/4 x 1 x 10 Ga. |
| 18 | 110982X | Plate—Rack & Pinion | 38 | 120128X | Boot |
| 19 | 110980X | Spacer | 39 | 19131312 | Washer 13/32 x 13/16 x 12 Ga. |
| 20 | 120183X | Bearing | 40 | 2882J | Pin—Drive |

*STANDARD HARDWARE—PURCHASE LOCALLY

MOWER

REAR ENGINE RIDING LAWN MOWER--MODEL NUMBERS
K9224BR, K9224BT, K9224BF AND K9224BE



MOWER

**REAR ENGINE RIDING LAWN MOWER—MODEL NUMBERS
K9224BR, K9224BT, K9224BF AND K9224BE**

| KEY NO. | PART NO. | DESCRIPTION |
|---------|-----------|---|
| 1 | 110975X | V-Belt |
| 2 | 74668X012 | Housing with silk screening Model Number K9224BR |
| 2 | 74668X013 | Housing with silk screening Model Numbers K9224BT and K9224BF |
| 2 | 74668X011 | Housing with silk screening Model Number K9224BE |
| 3 | 74710 | Housing Lifter - R.H. |
| 4 | 74709 | Housing Lifter - L.H. |
| 5 | 72110506 | Bolt, Carriage 5/16 - 18 x 3/4 Gr. 5 |
| 7 | 6091J | Bolt, Shoulder (Special) 5/16 - 18 |
| 8 | 19111216 | Washer 11/32 x 3/4 x 16 Ga. |
| 9 | 110289X | Brake Assembly |
| 12 | 6069J | Belt Snubber |
| 13 | 72250508 | Bolt - Sq. Nk. Carriage 5/16 - 18 x 1 Gr. 5 |
| 14 | 72368 | Mower Support |
| 16 | 110988X | Jackshaft Assembly |
| 17 | 73680600 | Nut - Crownlock 3/8 - 16 |
| 18 | 71534 | Discharge Guard |
| 19 | 72250406 | * Bolt, Carriage 1/4 - 20 x 3/4 Gr. 5 |
| 20 | 73680400 | Nut - Crownlock 1/4 - 20 UNC |
| 21 | 74824 | Skid - R.H. |
| 22 | 74825 | Skid - L.H. |
| 23 | 75276 | Blade |
| 24 | 74610620 | Hex Bolt - 3/8 - 24 x 1 - 1/4 Gr. 5 |
| 25 | 67354 | Washer, 25/64 x 2 - 3/8 x 8 Ga. |
| 26 | 10040600 | * Lockwasher, Spring Heavy 3/8 |
| 27 | 78850 | Warning Label Model Number K9224BR |
| 27 | 107339X | Warning Label Model Numbers K9224BT and K9224BF |
| 27 | 120673X | Warning Label Model Number K9224BE |
| 28 | 19131407 | Washer 13/32 x 7/8 x 7 Ga. |
| 29 | 73680500 | Locknut - Gripco 5/16 - 18 |

*STANDARD HARDWARE—PURCHASE LOCALLY

**REAR ENGINE RIDING LAWN MOWER--MODEL NUMBERS
K9224BR, K9224BT, K9224BF AND K9224BE**

ELECTRICAL

| KEY NO. | PART NO. | DESCRIPTION | KEY NO. | PART NO. | DESCRIPTION |
|---------|----------|--|---------|----------|--|
| 1 | 110964X | Shift Lever | 45 | 74780444 | Bolt - Hex 1/4 - 20 x 2-3/4 Gr. 5 |
| 2 | 74810408 | Bolt, Hex 1/4 - 28 x 1/2 Gr. 5 | 47 | 73350400 | Nut, Hex Jam 1/4 - 20 UNC |
| 3 | 10020400 | Lockwasher 1/4 | 49 | 74760412 | Bolt, Hex 1/4 - 20 x 3/4 |
| 4 | 18081218 | Washer 9/32 x 3/4 x 16 Ga. | 50 | 11151000 | Lockwasher, Internal Tooth 5/8 |
| 5 | 7803J | Knob | 51 | 3268J | Nut - Flat |
| 6 | 74525 | Switch - Transmission | 52 | 7833R | Fuel Line |
| 7 | 74893 | Transmission Assembly | 53 | 6999R | Fuel Line Clamp |
| 8 | 73541 | Pulley - Transmlsion | 54 | 19211621 | Washer 21/32 x 1 x 21 Ga. |
| 9 | 15760510 | Bolt w/Semis Lockwasher 5/16 - 18 x 5/8 | 55 | 10040700 | Lockwasher 7/16 |
| 10 | 2228M | Key, Woodruff | 56 | 889J | Clip - Muffler, Models K9224BR and K9224BT |
| 11 | 12000028 | Retaining Ring | 58 | 19121410 | Washer 3/8 x 7/8 x 10 Ga. |
| 13 | 110951X | Wire Harness | 60 | 3605J | Cap - Filler |
| 14 | 51J | Cover - Terminal, Dual | 61 | 11050400 | Washer - Lock 1/4 External Tooth |
| 15 | 4406R | Ignition Switch | 62 | 10090400 | Lockwasher 1/4 |
| 16 | 7552H | Key | 63 | 2224J | Gasket - Battery |
| 17 | 2965J | Pad - Battery | 64 | 110995X | Support - Battery |
| 18 | 102958X | Battery Pack (Inc. Key Letter "C") Models K9224BR and K9224BT | 65 | 74760412 | Bolt - Hex 1/4 - 20 x 3/4 |
| 18 | 101253M | Battery Pack (Inc. Key Letter "C") Models K9224BF and K9224BE | 66 | 73680400 | Nut - Crownlock 1/4 - 20 |
| 19 | 67188 | Bolt - Battery | 67 | 121064X | Switch, Seat |
| 20 | 74760408 | Bolt - Hex 1/4 - 20 x 1/2 | 68 | 74681008 | Screw, Pan Head, Slotted 10/32 x 1/2 |
| 21 | 2002J | Nut - Special | 69 | 73951000 | Nut - Keps #10-32 |
| 22 | 1582J | Rod - Battery | 70 | 74780408 | Bolt - Hex 1/4 - 20 x 1/2 Gr. 5 |
| 24 | 73220400 | Hex Nut 1/4 - 20 | 71 | 73680400 | Nut - Hex 1/4 - 20 |
| 25 | 719J | Terminal Boot | 72 | 235R | Clip - Insulated |
| 26 | 2223J | Cap - Battery | 73 | 108761X | Decal, Models K9224BT, K9224BF and K9224BE |
| 27 | 73490400 | Nut - Wing 1/4 - 20 | 74 | 108762X | Decal, Models K9224BT, K9224BF and K9224BE |
| 28 | 19091016 | Washer 9/32 x 5/8 x 16 Ga. | 75 | 120746X | Decal, Model K9224BE |
| 29 | 742J | Fuel Tank | 76 | 120747X | Decal, Model K9224BE |
| 30 | 739J | Fuel Tank Elbow | 77 | 120598X | Muffler, Models K9224BF and K9224BE |
| 31 | 74310406 | Screw, Truss Hd, Phillips 1/4-20 x 3/8 | 78 | 120698X | Shield-Muffler Heat, Models K9224BF and K9224BE |
| 32 | 677A201 | Belt Keeper Assembly | 79 | 120699X | Bolt 1/4 - 20 Shoulder, Models K9224BF and K9224BE |
| 33 | 101389X | Engine Pulley | 80 | 120701X | Gasket-Muffler, Models K9224BF and K9224BE |
| 34 | 17490624 | Screw, Hex Hd, Thd. Rolling 3/8 - 16 x 1-1/2 | 81 | 74780412 | Bolt-Hex Fin 1/4 - 20 x .75, Models K9224BF and K9224BE |
| 35 | 19152405 | Washer 15/32 x 1-1/2 x 5 Ga. | 82 | 10040400 | Washer - Lock 1/4, Models K9224BF and K9224BE |
| 36 | 74770728 | Bolt, Hex 7/16 - 20 x 1-3/4 | 83 | 120745X | Deflector Assembly, Models K9224BF and K9224BE |
| 37 | 9396E | Key - Square 1/4 Sq. x 2 lg. | 84 | 120704X | Screw, 8 - 32 x 0.40, Models K9224BF and K9224BE |
| 38 | 191707 | Engine, 8 H.P. Briggs & Stratton Type No. 5831-01 | 85 | 120746X | Decal, Engine (German - K9224BE only) |
| 39 | 120121X | Fuse - 15 Amp | | | |
| 40 | 109553X | Switch - Interlock | | | |
| 41 | 109081X | Solenoid | | | |
| 42 | 6070J | Muffler - Models K9224BR and K9224BT | | | |
| 43 | 5181J | Cable Assembly (Battery to Solenoid) | | | |
| 44 | 2098J | Cable Assembly (Battery to Ground) | | | |

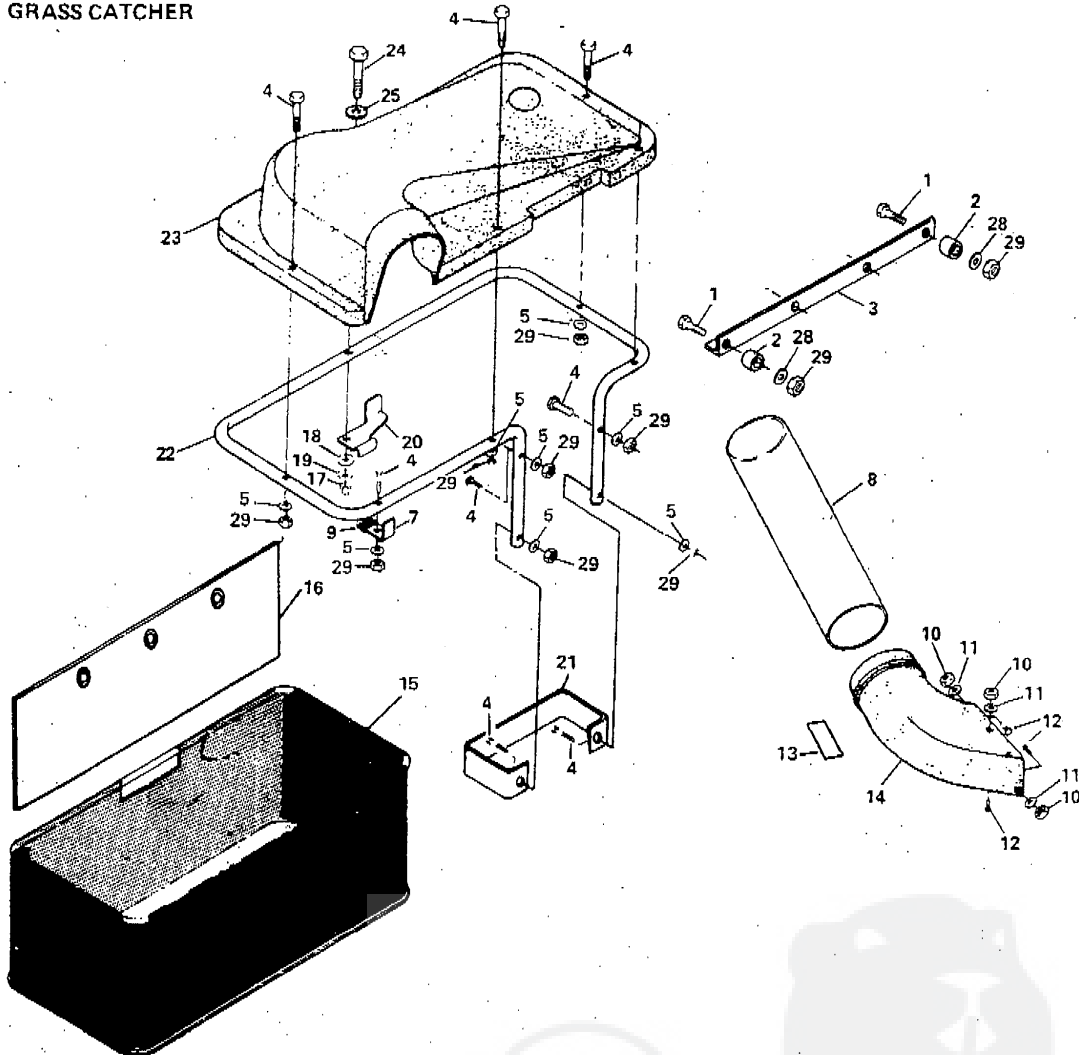
*STANDARD HARDWARE--PURCHASE LOCALLY

SPARK ARRESTER ASSEMBLY
(For key No. 42 only)

677A771

HEAVY ENGINE HIDING LAWN MOWER--MODEL NUMBERS
K9224BR, K9224BT, K9224BF AND K9224BE

GRASS CATCHER

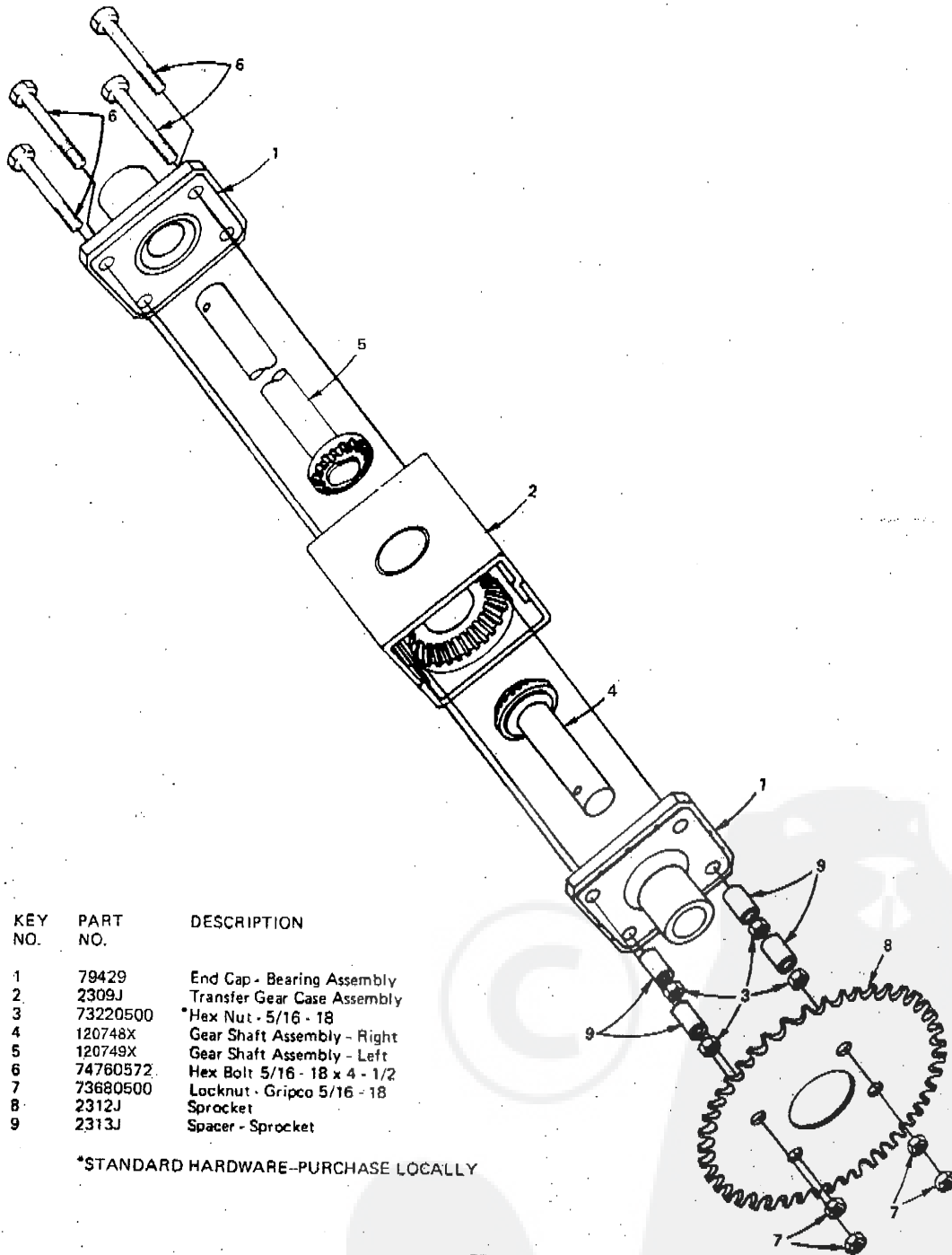


| KEY NO. | PART NO. | DESCRIPTION |
|---------|----------|-----------------------------------|
| 1 | 74760520 | *Hex Hd. Bolt 5/16 - 18 x 1 - 1/4 |
| 2 | 4497J | Spacer |
| 3 | 6110J | Brace |
| 4 | 74780526 | *Bolt - Hex 5/16 - 18 x 1 - 5/8 |
| 5 | 19111216 | Washer 11/32 x 3/4 x 16 Ga. |
| 7 | 74195 | Bag Frame Support Assembly |
| 8 | 73473 | Tube |
| 9 | 74194 | Knob - Lever |
| 10 | 73680400 | Locknut 1/4 - 20 |
| 11 | 19091216 | Washer 9/32 x 3/4 x 16 Ga. |
| 12 | 72240408 | *Carriage Bolt 1/4 - 20 x 1 |
| 13 | 8709J | Decal - Warning |
| 14 | 73472 | Chute Extension |

| KEY NO. | PART NO. | DESCRIPTION |
|---------|----------|---|
| 15 | 120668X | Bag Assembly Model Number K9224BE |
| 15 | 8036J | Bag Assembly Model Numbers K9224BR, K9224BT and K9224BF |
| 16 | 605J | Dust Shield |
| 17 | 73680600 | Locknut 3/8 - 16 |
| 18 | 10040600 | *Lockwasher 3/8 |
| 19 | 19131216 | Washer 13/32 x 3/4 x 16 Ga. |
| 20 | 73471 | Bag Latch |
| 21 | 75131 | Bumper |
| 22 | 6111J | Frame |
| 23 | 75081 | Frame Hood |
| 24 | 74760632 | *Hex Bolt 3/8 - 16 x 2 |
| 25 | 19131614 | Washer 13/32 x 1 x 14 Ga. |
| 28 | 19111412 | Washer 11/32 x 7/8 x 12 Ga. |
| 29 | 73680500 | Locknut Gripco 5/16 - 18 |

*STANDARD HARDWARE--PURCHASE LOCALLY

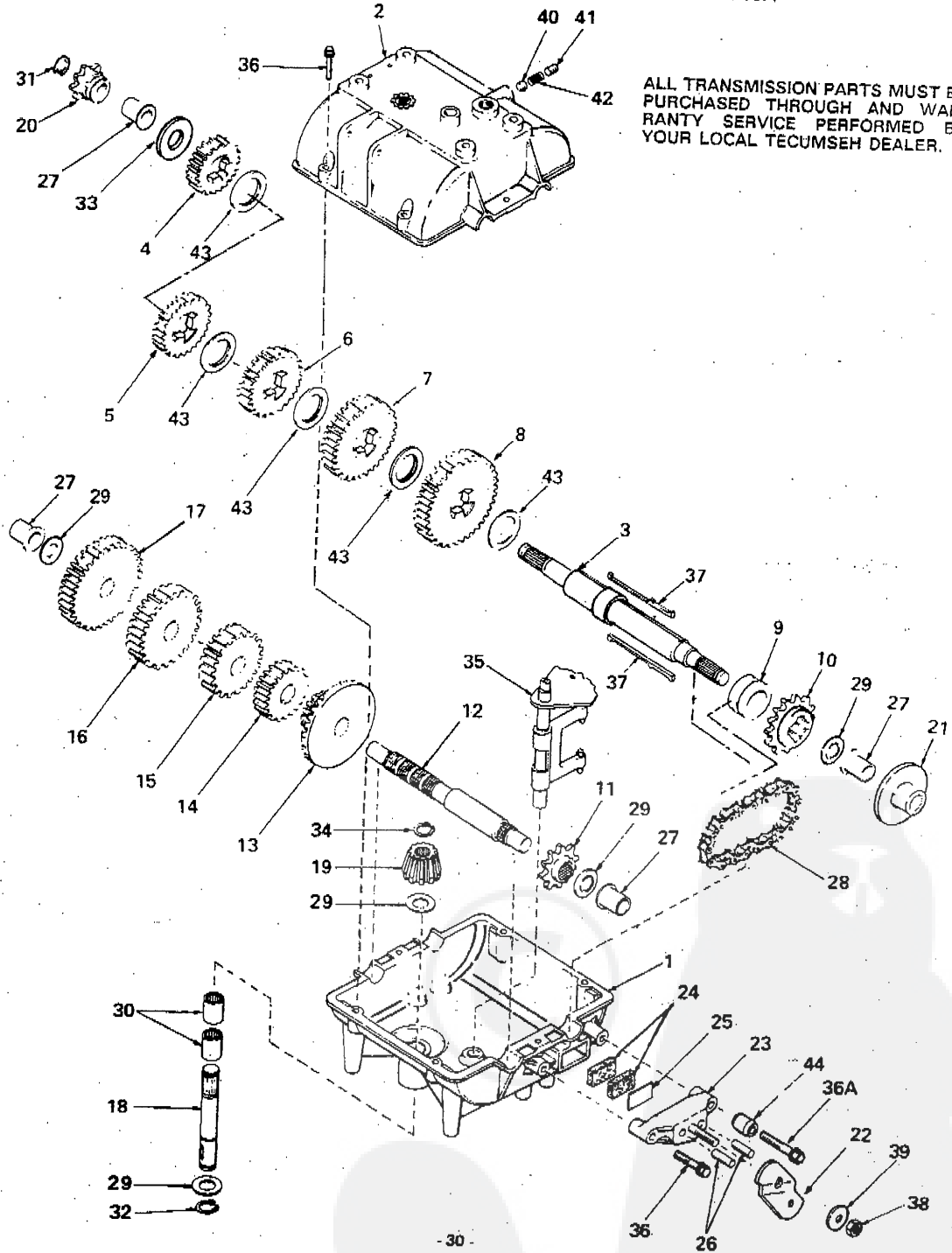
**REAR ENGINE RIDING LAWN MOWER--MODEL NUMBERS K9224BR, K9224BT,
K9224BF AND K9224BE--DIFFERENTIAL ASSEMBLY PART NUMBER 110957X**



| KEY NO. | PART NO. | DESCRIPTION |
|---------|----------|------------------------------|
| 1 | 79429 | End Cap - Bearing Assembly |
| 2 | 2309J | Transfer Gear Case Assembly |
| 3 | 73220500 | *Hex Nut - 5/16 - 18 |
| 4 | 120748X | Gear Shaft Assembly - Right |
| 5 | 120749X | Gear Shaft Assembly - Left |
| 6 | 74760572 | Hex Bolt 5/16 - 18 x 4 - 1/2 |
| 7 | 73680500 | Locknut - Gripco 5/16 - 18 |
| 8 | 2312J | Sprocket |
| 9 | 2313J | Spacer - Sprocket |

*STANDARD HARDWARE--PURCHASE LOCALLY

REAR ENGINE RIDING LAWN MOWER--MODEL NUMBERS K9224BR, K9224BT,
K9224BF AND K9224BE TRANSMISSION--MODEL NUMBER 719A



REPAIR PARTS

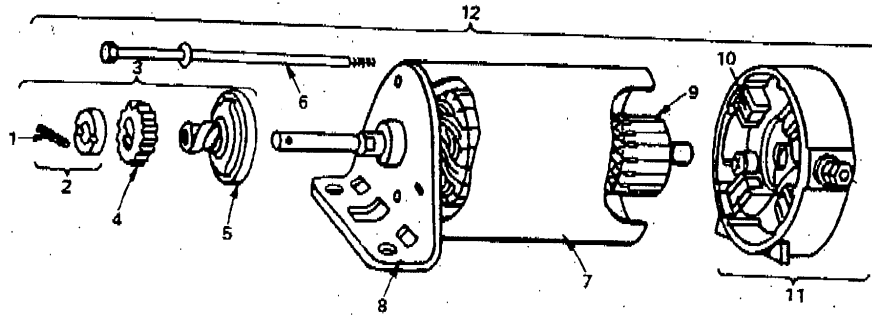
REAR ENGINE RIDING LAWN MOWER--MODEL NUMBERS K9224BR, K9224BT,
K9224BF AND K9224BE TRANSMISSION--MODEL NUMBER 719A

| KEY NO. | PART NO. | DESCRIPTION | KEY NO. | PART NO. | DESCRIPTION |
|---------|----------|---|---------|----------|--|
| | 794213 | Complete Transmission (719A) | 25 | 790007 | Plate, Brake pad |
| 1 | 770061 | Case, Transmission | 26 | 786026 | Pin, Dowel |
| 2 | 772070 | Cover, Transmission | 27 | 780105 | Bushing, Flanged |
| 3 | 776161 | Shaft, Output and Brake | 28 | 786062 | Chain, Roller (No. 41 chain, 22 links) |
| 4 | 778121A | Gear, Spur (20 teeth) | 29 | 780072 | Race, Thrust |
| 5 | 778122 | Gear, Spur (22 teeth) | 30 | 780106 | Bearing, Needle |
| 6 | 778123 | Gear, Spur (25 teeth) | 31 | 792072 | Ring, Retaining |
| 7 | 778124 | Gear, Spur (30 teeth) | 32 | 792035 | Ring, Retaining |
| 8 | 778125 | Gear, Spur (35 teeth) | 33 | 780109 | Washer |
| 9 | 784266 | Collar, Shift | 34 | 788040 | Ring, Retaining |
| 10 | 786060 | Sprocket (14 teeth) | 35 | 784267 | Rod & Fork Assy., Shift |
| 11 | 786061 | Sprocket (10 teeth) | 36 | 792073 | Screw, Hex hd. tapite, 1/4 - 20 x 1 - 1/4 |
| 12 | 776134 | Shaft, Counter | | | |
| 13 | 778109 | Gear, Bevel (42 tooth and 15 tooth spur gear) | 36A | 792085 | Screw, Hex hd. tapite, 1/4 - 20 x 2 - 1/4 |
| 14 | 778126 | Gear, Spur (20 teeth) | 37 | 792089A | Key |
| 15 | 778127 | Gear, Spur (25 teeth) | 38 | 792075 | Nut, 5/16 - 24 lock |
| 16 | 778128 | Gear, Spur (28 teeth) | 39 | 792076 | Washer, Flat, 5/16 |
| 17 | 778129 | Gear, Spur (30 teeth) | 40 | 792077 | Ball, Steel, 5/16" |
| 18 | 776135 | Shaft, Input | 41 | 792078 | Screw, Set, 3/8 - 16 x 3/8 |
| 19 | 778113 | Bevel pinion, Input | 42 | 792079 | Spring |
| 20 | 786047 | Sprocket (8 teeth) | 43 | 780108 | Washer, Thrust |
| 21 | 790003 | Disk, Brake | 44 | 786067 | Spacer |
| 22 | 790004 | Lever, Brake | | | |
| 23 | 790005 | Holder, Brake pad | | | |
| 24 | 790006 | Pad, Brake | | | |

ALL WARRANTY REPAIRS MUST BE
PERFORMED BY AN AUTHORIZED
TECUMSEH DEALER. REFER TO
PAGE 37.

**REAR ENGINE RIDING LAWN MOWER--MODEL NUMBERS K9224BR, K9224BT,
 K9224BF AND K9224BE ENGINE--MODEL NUMBER 191707, TYPE NUMBER 5831-01
 STARTER MOTOR GROUP**

ALL ENGINE PARTS MUST BE PURCHASED THROUGH AND WARRANTY SERVICE PERFORMED BY YOUR LOCAL BRIGGS AND STRATTON DEALER.

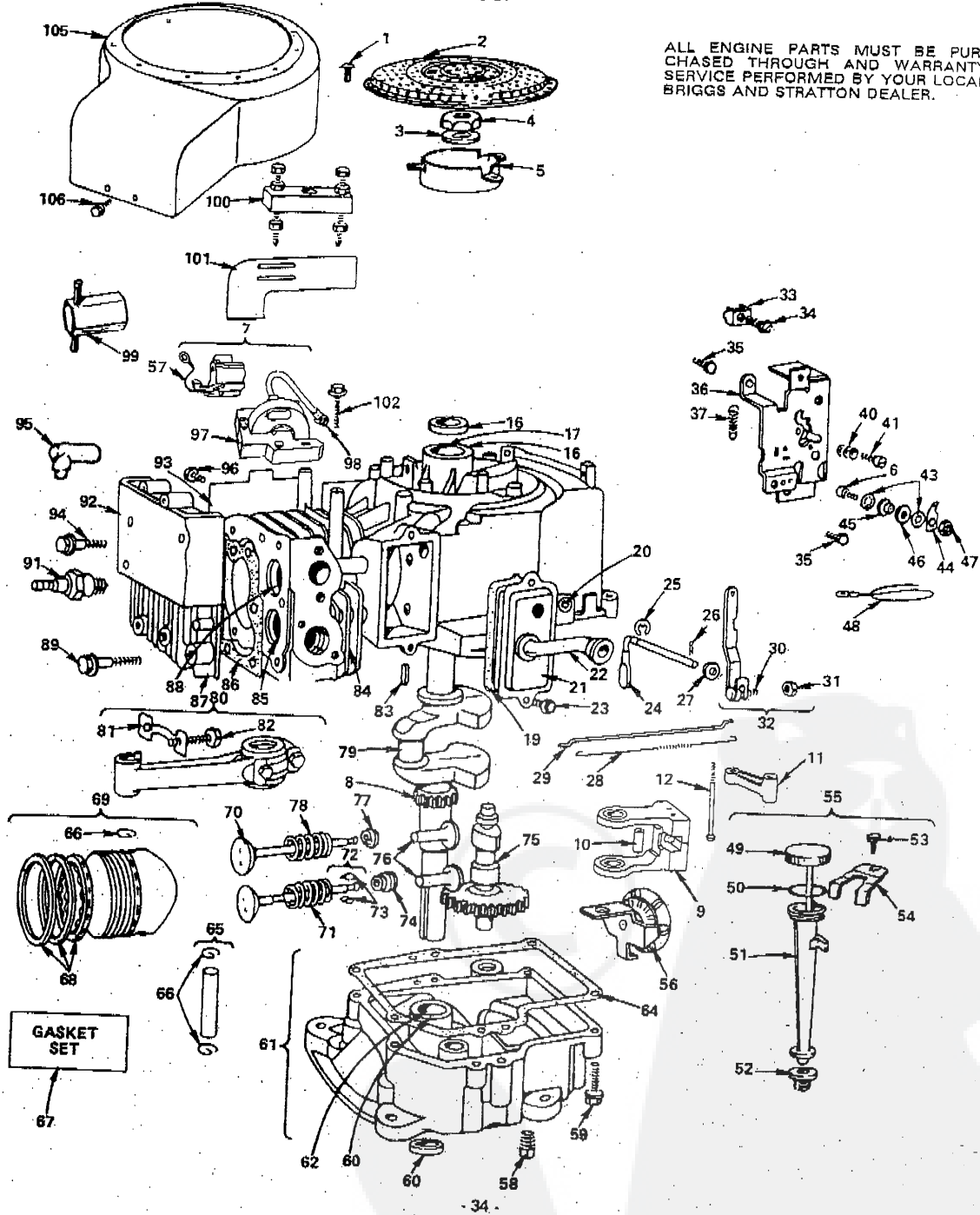


| KEY NO. | PART NO. | DESCRIPTION |
|---------|----------|--|
| 1 | 93754 | Roll Pin |
| 2 | 391462 | Retainer and Pin (Inc. Key No. 1) |
| 3 | 391461 | Drive Assembly (Inc. Key No's. 1, 2, 4 & 5) |
| 4 | 280104 | Gear |
| 5 | 391135 | Clutch Assembly |
| 6 | 94003 | Thru Bolt Assembly |
| 7 | 393825 | Housing Assembly |
| 8 | 394856 | End Cap Assembly Drive |
| 9 | 392747 | Armature Assembly |
| 10 | 395538 | Brush Assembly |
| 11 | 395537 | End Cap Assembly Commutator (Inc. Key No. 10) |
| 12 | 394805 | Motor and Drive Assembly (Inc. Key No's. 1, 2, 3, 4, 5, 6, 7, 8, 9, 10 & 11) |

REPAIR PARTS

REAR ENGINE RIDING LAWN MOWER---MODEL NUMBERS K9224BR, K9224BT,
K9224BF AND K9224BE ENGINE---MODEL NUMBER 191707, TYPE NUMBER 5831-01

CYLINDER, CRANKSHAFT & ENGINE BASE GROUP



REPAIR PARTS

REAR ENGINE RIDING LAWN MOWER—MODEL NUMBERS K9224BR, K9224BT,
K9224BF AND K9224BE ENGINE—MODEL NUMBER 191707, TYPE NUMBER 5831-01

CYLINDER, CRANKSHAFT & ENGINE BASE GROUP

| KEY NO. | PART NO. | DESCRIPTION | KEY NO. | PART NO. | DESCRIPTION |
|---------|----------|---|---------|----------|---|
| 1 | 93805 | Screw - Sem | 64 | 27750 | +Gasket - Crankcase Cover - 1/64" thick |
| 2 | 222562 | Screen - Flush Rotating | 64 | 27876 | +Gasket - Crankcase Cover - .005" thick |
| 3 | 220865 | Washer - Spring | 64 | 27877 | +Gasket - Crankcase Cover - .005" thick |
| 4 | 92284 | Nut - Flywheel | 65 | 295840 | Pin Assy. - Piston - Std. (Inc. Key No. 66) |
| 5 | 222561 | Cup - Screen Mounting | 65 | 295841 | Pin Assy. - .005" O.S. |
| 6 | 91920 | Screw - Terminal | 66 | 68546 | Lock - Piston Pin |
| 7 | 395492 | Armature Group | 67 | 299577 | Gasket Set |
| 8 | 261195 | Gear - Timing | 68 | 391669 | Ring Set - Piston - Std. |
| 9 | 390172 | Counterweight Assembly | 68 | 391670 | Ring Set - Piston - .010" O.S. |
| 10 | 298909 | Pin - Counterweight | 68 | 391671 | Ring Set - Piston - .020" O.S. |
| 11 | 212359 | Link - Counterweight | 68 | 391672 | Ring Set - Piston - .030" O.S. |
| 12 | 93874 | Screw - Counterweight | 69 | 391673 | Piston Assy. - Std. (Inc. Key No's. 66 & 68) |
| 15 | 396269 | Cylinder Assembly (Inc. Key No. 16) | | | |
| 16 | 294606 | Seal - Oil | 69 | 391674 | Piston Assy. - .010" O.S. |
| 17 | 391726 | *Bushing - Cylinder (Inc. Key No. 16) | 69 | 391675 | Piston Assy. - .020" O.S. |
| 19 | 27803 | +Gasket - Valve Cover | 69 | 391676 | Piston Assy. - .030" O.S. |
| 20 | 231055 | Bushing - Governor Crank | 70 | 261055 | Valve - Intake |
| 21 | 391406 | Breather Assembly | 71 | 26828 | Spring - Exhaust Valve |
| 22 | 280005 | Tube - Breather | 72 | 390419 | Valve - Exhaust (Inc. Key No. 73) |
| 23 | 93394 | Screw - Sem | 73 | 93530 | Retainer - Exhaust Valve Rotocoil |
| 24 | 231058 | Crank - Governor | 74 | 292260 | Rotocoil - Exhaust Valve |
| 25 | 93307 | Retainer - E-Ring | 75 | 211689 | Gear - Cam |
| 26 | 93306 | Cotter - Hair Pin | 76 | 260933 | Tappet - Valve |
| 27 | 222450 | Washer - Governor Lever | 77 | 221596 | Retainer - Intake Valve |
| 28 | 260584 | Spring - Gov. Link | 78 | 65906 | Spring - Intake Valve |
| 29 | 260971 | Link - Governor | 79 | 390370 | Crankshaft |
| 30 | 92613 | Bolt - Governor Lever | 80 | 390402 | Rod Assy. - Connecting (Inc. Key No's. 81 & 82) |
| 31 | 231082 | Nut - Hex. 10 - 24 | | | |
| 32 | 391733 | Lever Assy. - Governor (Inc. Key No's. 30 & 31) | 81 | 222114 | Lock - Connecting Rod Screw |
| 33 | 221535 | Clamp - Casing | 82 | 92659 | Screw - Connecting Rod |
| 34 | 93496 | Screw - Sem | 83 | 222598 | Key - Flywheel |
| 35 | 93572 | Screw | 84 | 231218 | *Guide - Exhaust Valve |
| 36 | 390662 | Plate - Gov. Control | 85 | 211661 | *Seat - Exhaust Valve (Std.) |
| 37 | 261306 | Spring - Governor | 86 | 270430 | Gasket - Cylinder Head |
| 40 | 26157 | Spring - Throttle Adjustment | 87 | 212286 | Head - Cylinder |
| 41 | 91920 | Screw - Machine, Fill. Hd. 8 - 32 x 5/8" | 88 | 211661 | *Seat - Intake Valve (Std.) |
| 43 | 92791 | Washer - Lock - Shakeproof | 89 | 93723 | Screw - Cylinder Head |
| 44 | 93722 | Terminal - Spade | 91 | 293918 | *Plug - Spark |
| 45 | 66554 | Collar - Insulating | 92 | 222636 | Cover - Cylinder Head |
| 46 | 66068 | Washer - Insulating | 93 | 222830 | Shield - Cylinder |
| 47 | 90576 | Nut - Hex 8 - 32 | 94 | 93211 | Screw - Cylinder Head |
| 48 | 299500 | Wire - Ground | 95 | 66538 | Elbow - Spark Plug |
| 49 | 391840 | Cap & Dipstick - Oil Filler | 96 | 93163 | Screw - Cylinder Shield Mtg. Sem |
| 50 | 270920 | Seal - Filler Cap | 97 | 395326 | Armature Assy. (Less Trgger Coil) |
| 51 | 280133 | Tube - Oil Filler | 98 | 221798 | Terminal - Ignition Cable |
| 52 | 68838 | Seal - Filler Tube | 99 | 89838 | Wrench - Spark Plug |
| 53 | 93804 | Screw - Clamp Mtg. | 100 | 19165 | Puller - Flywheel |
| 54 | 222502 | Clamp - Oil Filler Tube | 101 | 221760 | Guide - Air |
| 55 | 392066 | Filler Group - Oil (Inc. Key No's. 49, 50, 51, 52, 53 & 54) | 102 | 93381 | Screw - Armature Mtg. Sem |
| 56 | 392718 | Oil Slinger, Gov. Gear & Brkt. Assy. | 105 | 391379 | Housing - Blower |
| 57 | 394970 | Trigger Coil | 106 | 93158 | Screw - Blower Hsg. Mtg. Sem |
| 58 | 91084 | Plug - Oil Drain | | | *Special Tools Required to Install |
| 59 | 93585 | Screw - Sump Mtg. Sem | | | +Included in Gasket Set - Part No. 299577 |
| 60 | 391086 | Seal - Oil | | | *CANADIAN CUSTOMERS IN COMPLIANCE |
| 61 | 392548 | Sump - Oil (Inc. Key No's. 60 & 64) | | | WITH RADIO INTERFERENCE REGULATIONS |
| 62 | 295963 | *Bushing - Oil Sump (Inc. Key No. 60) | | | CERTIFIED MUST REPLACE SPARK PLUG |
| | | | | | WITH RESISTOR SPARK PLUG ONLY. |