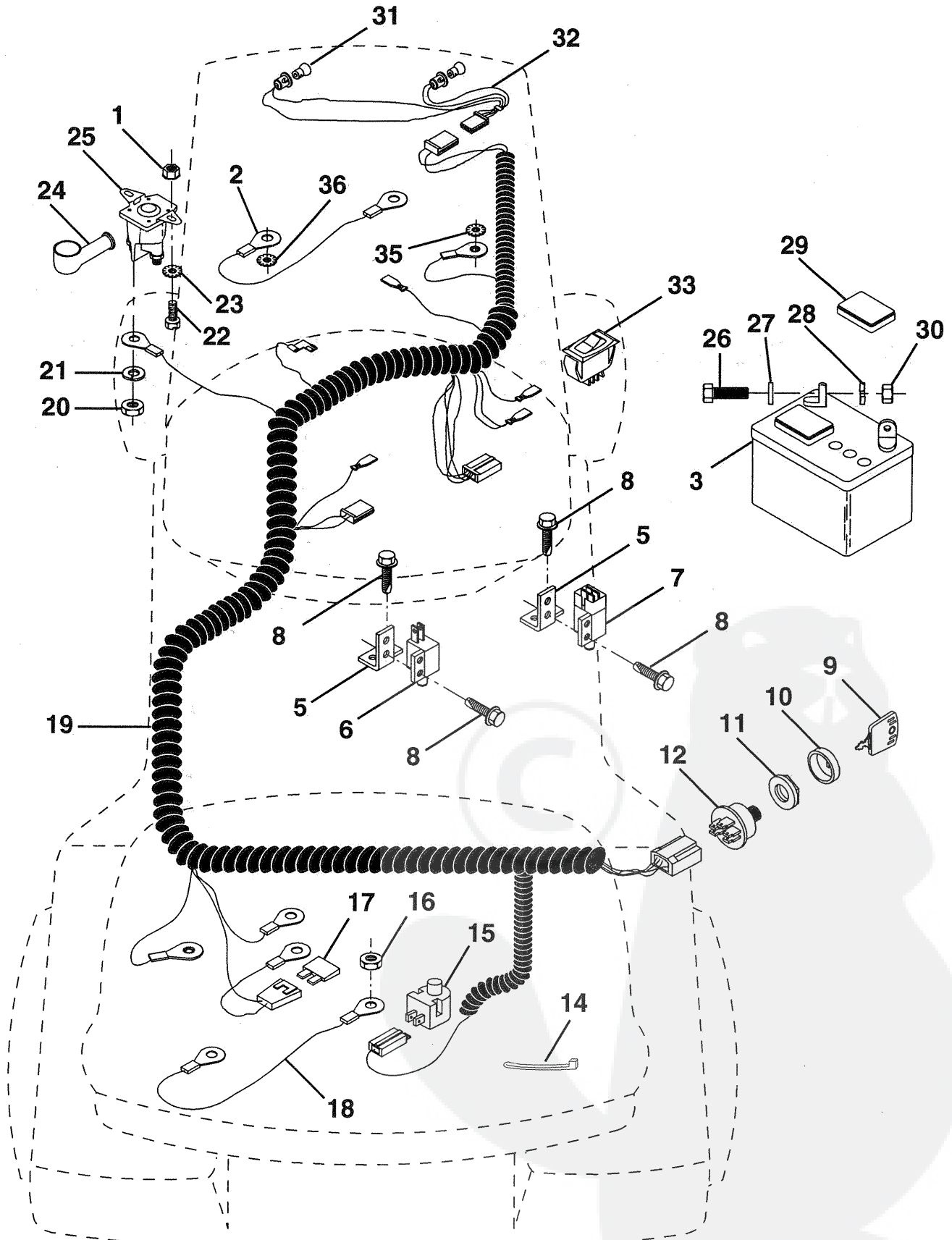


# PIECES DE RECHANGE

TRACTEUR 12,5 C.V. 38 PO. -- NUMERO DE MODELE 6H2A9A

ELECTRIQUE



# REPAIR PARTS

## 12.5 HP 38" TRACTOR - - MODEL NUMBER 6H2A9A

### ELECTRICAL

KEY PART NO.	NO.	DESCRIPTION
1	73510400	Nut, Hex, Keps 1/4-20 UNC
2	108423X	Assembly, Cable
3	133909	Battery
5	108236X	Bracket, Switch
6	104445X	Switch, Interlock
7	109553X	Switch, Interlock
8	17021008	Screw, Hex Head, Tapping #10-24 x 1/2
9	122147X	Key, Molded
10	123620X	Cover, Key, Ignition
11	124211X	Nut, Ignition
12	4406R	Switch, Ignition
14	7192J	Tie, Cable
15	121305X	Switch, Plunger
16	73510500	Nut, Keps 5/16-18
17	108824X	Fuse
18	128353	Assembly, Cable
19	132222	Harness, Ignition
20	73350400	Nut, Hex, Jam 1/4-20
21	10090400	Washer, Lock 1/4
22	74780408	Bolt, Hex 1/4-20 x 12 Grade 5
23	11050400	Washer, Lock, External Tooth 1/4
24	131563	Cover, Terminal
25	138406	Solenoid
26	74760412	Bolt, Hex Head 1/4-20 UNC x 3/4
27	19091016	Washer 9/32 x 5/8 x 16 Gauge
28	10040400	Washer, Lock, Hvy. Hel. Spring 1/4
29	121264X	Cap, Battery
30	73220400	Nut, Hex, Fin 1/4-20
31	7662J	Bulb
32	136849	Harness, Light Socket
33	110712X	Switch, Light
35	11050600	Washer, Lock Ext. Tooth 3/8
36	11150400	Washer, Lock Int. Tooth 1/4

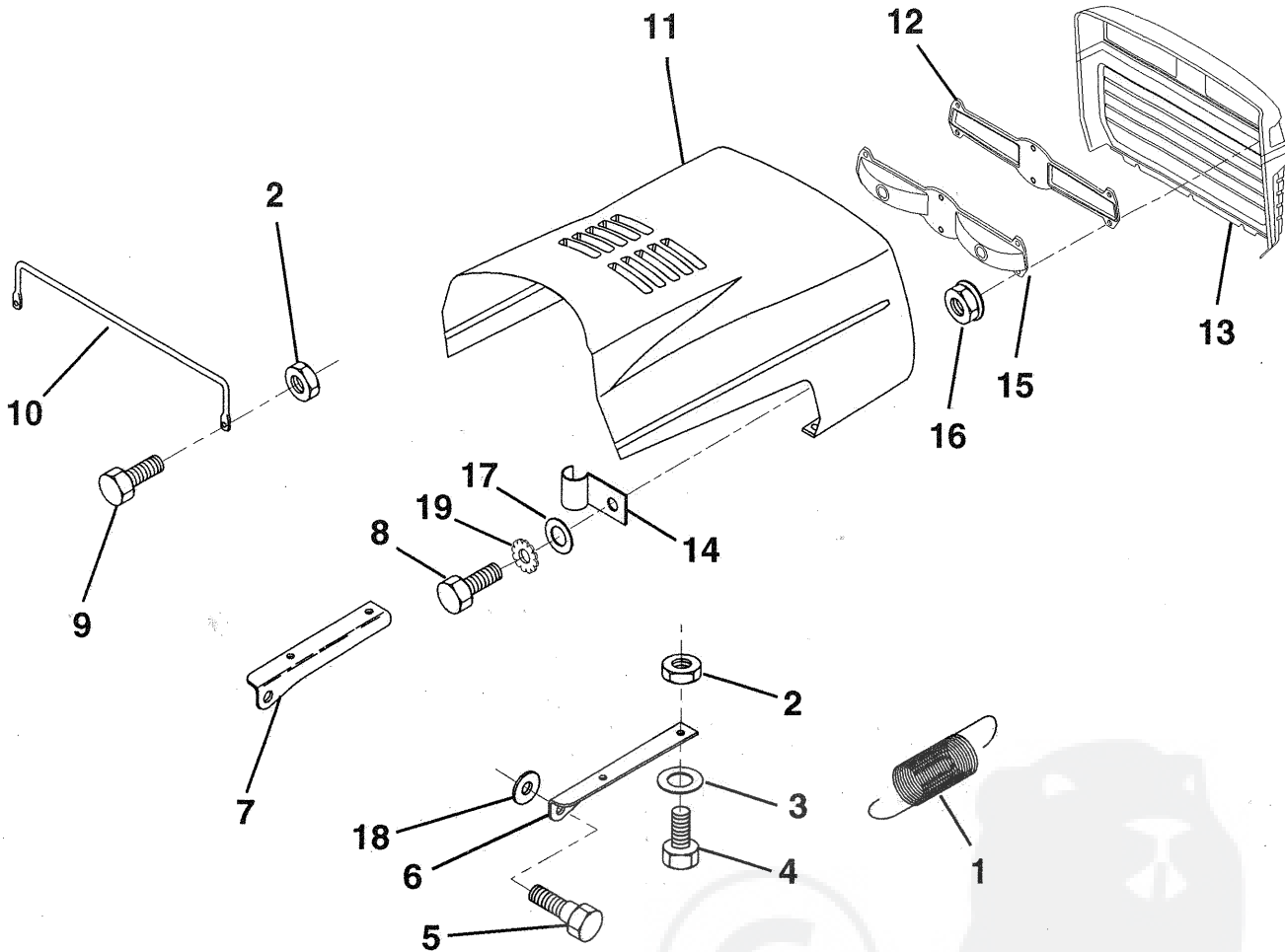
**NOTE:** All component dimensions given in U.S. inches  
1 inch = 25.4 mm

HARDWARE SHOWN LARGER FOR EASIER IDENTIFICATION

# REPAIR PARTS

## 12.5 HP 38" TRACTOR - - MODEL NUMBER 6H2A9A

### HOOD



#### KEY PART NO. NO.

#### DESCRIPTION

1	124657X	Spring, Extension
2	73510400	Nut, Hex, Keps 1/4-20 UNC
3	19091016	Washer 9/32 x 5/8 x 16 Gauge
4	74780410	Bolt, Hex, Fin 1/4-20 UNC x 5/8 Grade 5
5	126675X	Bolt, Shoulder
6	122549X	Bracket, Hood, RH
7	122548X	Bracket, Hood, LH
8	17411310	Screw, Hex, Fin #13-16 Hi-Lo x 5/8

#### KEY PART NO. NO.

#### DESCRIPTION

9	74780412	Bolt, Hex, Fin 1/4-20 x 3/4 Grade 5
10	123693X	Brace, Hood
11	132918X505	Hood
12	127178	Lens
13	134232X428	Grill
14	2751R	Clip, Fuel Line
15	127177X	Light Box
16	124346X	Nut, Self Thd Wsh Hd. 1/4
17	19091016	Washer 9/32 x 5/8 x 16 Ga.
18	19111116	Washer 11/32 x 11/16 x 16 Ga.
19	11030400	Washer Lock 1/4 Int./Ext. Tooth

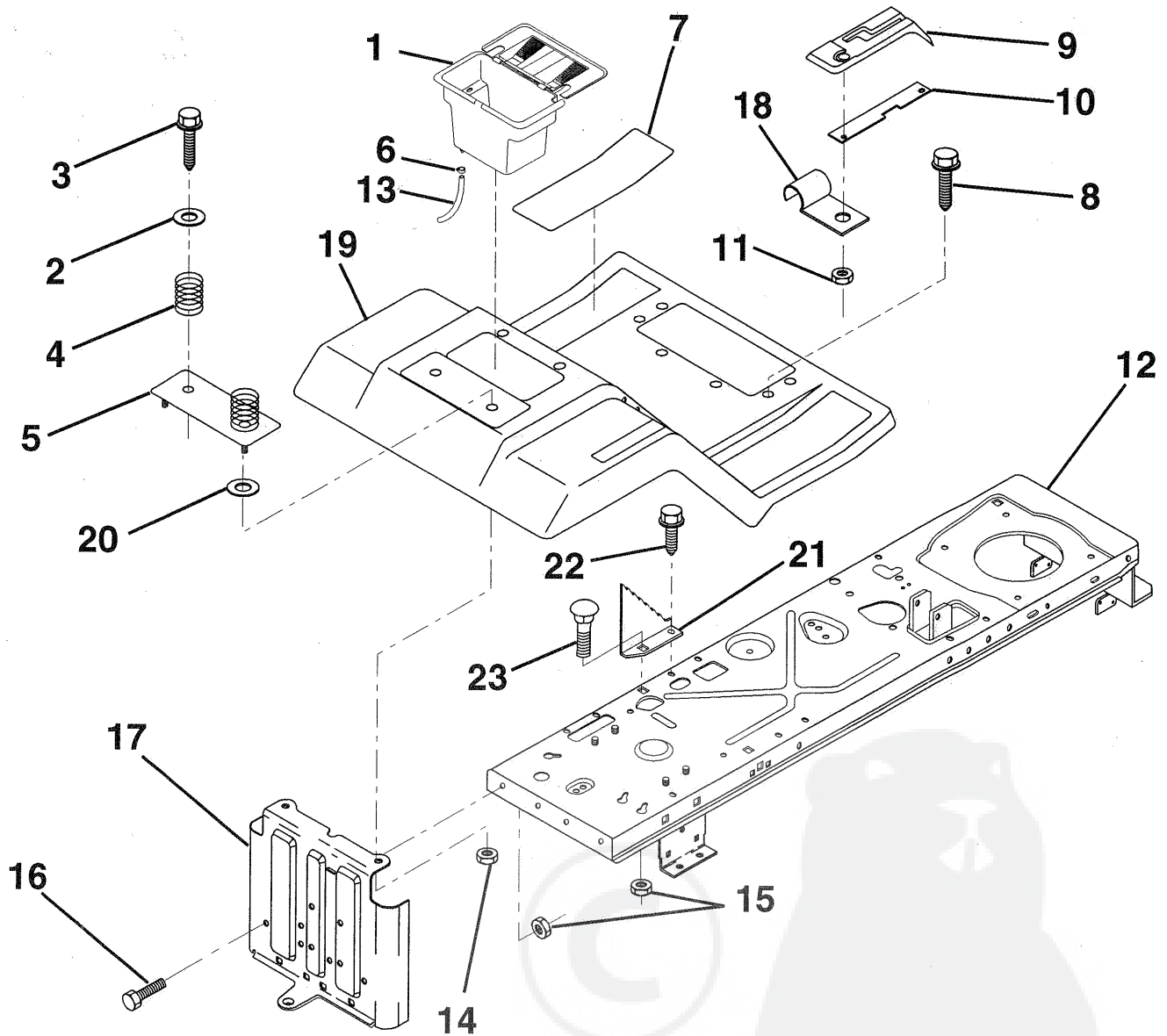
**NOTE:** All component dimensions given in U.S. inches  
1 inch = 25.4 mm

HARDWARE SHOWN LARGER FOR EASIER IDENTIFICATION

# REPAIR PARTS

## 12.5 HP 38" TRACTOR -- MODEL NUMBER 6H2A9A

### FENDER / CHASSIS



KEY PART NO. NO.	DESCRIPTION
1 129965	Case, Battery
2 19132012	Washer 13/32 x 1-1/4 x 12 Gauge
3 17490612	Screw, Hex Washer Head, Thd. Roll. 3/8-16 x 3/4
4 124181X	Spring, Compression, Seat
5 127115X505	Plate, Fender
6 109596X	Clamp, Hose
7 124144X	Pad, Footrest
8 17490512	Screw, Hex Washer Head, Thd. Roll. 5/16-18 x 3/4
9 126995X	Console, Shift Control
10 124307X	Bar, Shift Lock
11 124346X	Nut, Self-Threading 3/16
12 137097	Assembly, Frame

KEY PART NO. NO.	DESCRIPTION
13 109238X	Tube, Battery Drain
14 73510400	Nut, Hex, Keps 1/4-20
15 73680500	Nut, Crownlock 5/16-18
16 74760512	Bolt, Hex 5/16-18 UNC x 3/4
17 127880	Drawbar
18 126470X	Clip, Insulated
19 132650X505	Fender/Footrest
20 19091413	Washer 9/32 x 7/8 x 13 Gauge
21 132562	Plate, Depth Stop
22 17490508	Screw, Thd. Roll. 5/16-18 x 1/2
23 72110506	Bolt, Carriage 5/16-18 x 3/4

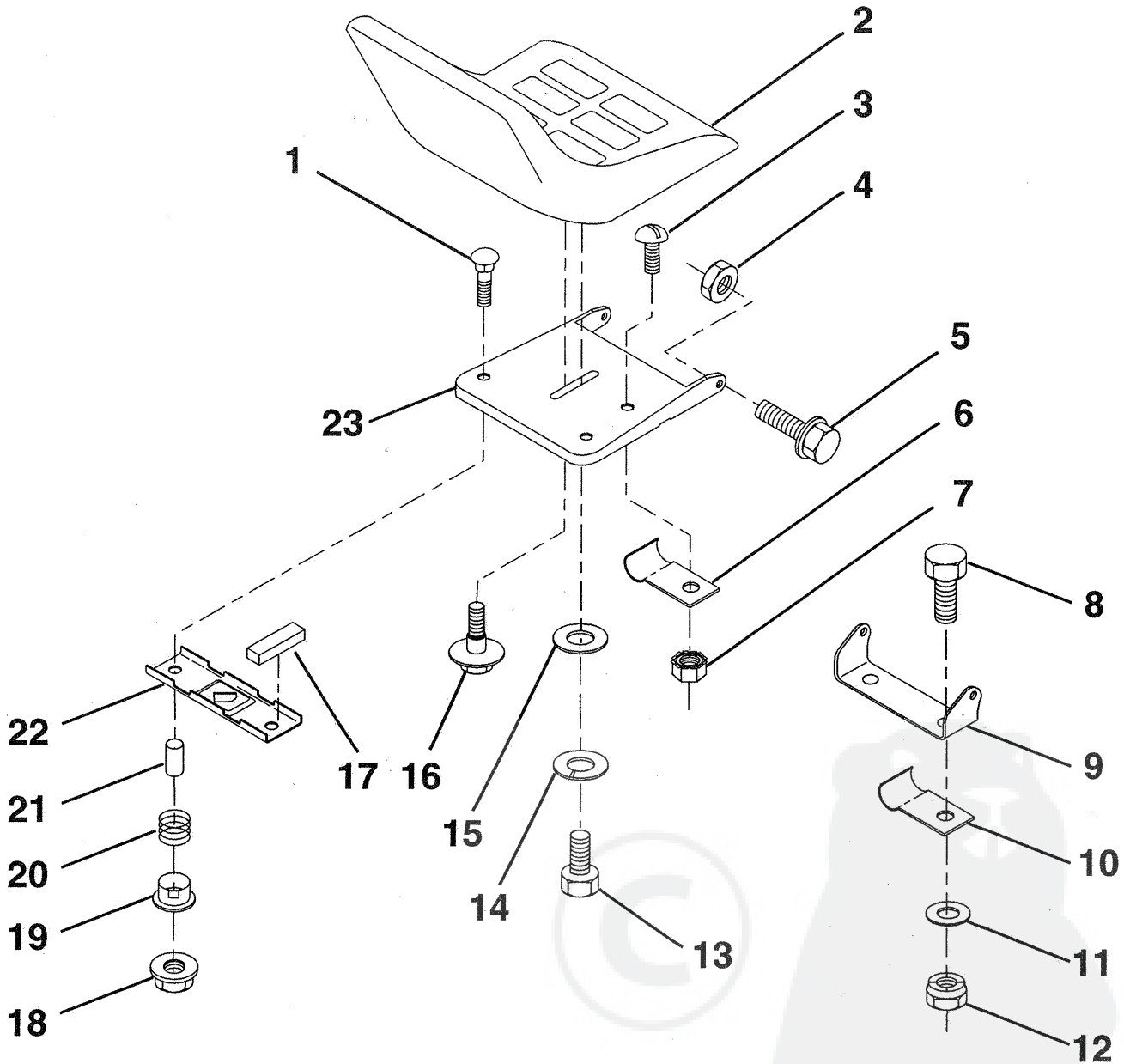
**NOTE:** All component dimensions given in U.S. inches  
1 inch = 25.4 mm

HARDWARE SHOWN LARGER FOR EASIER IDENTIFICATION

# REPAIR PARTS

## 12.5 HP 38" TRACTOR -- MODEL NUMBER 6H2A9A

### SEAT



#### KEY PART NO. NO.

#### DESCRIPTION

1	72050411	Bolt, Carriage 1/4-20 x 1-3/8
2	127427	Seat
3	74641008	Screw, Slotted Pan Head #10-32 x 1/2
4	73680500	Nut, Crownlock 5/16-18
5	105529X	Bolt, Shoulder 5/16-18 UNC
6	4171R	Clip, Insulated
7	73951000	Nut, Keps #10-32 UNF
8	74760612	Bolt, Hex, Fin 3/8-16 UNC x 3/4
9	126656X	Bracket, Pivot, Seat
10	126471X	Clip, Insulated
11	19133210	Washer 13/32 x 2 x 10 Gauge
12	73680600	Nut, Crownlock 3/8-16 UNC

#### KEY PART NO. NO.

#### DESCRIPTION

13	74780814	Bolt, Hex, Fin 1/2-13 x 7/8 Gr. 5
14	10040800	Washer, Lock Hvy. Helical Spring 1/2
15	19171912	Washer 17/32 x 1-3/16 x 12 Gauge
16	127018X	Bolt, Shoulder
17	121251X	Strip, Foam
18	123976X	Locknut, Hex, Large, Flange
19	121248X	Bushing, Snap
20	121250X	Spring, Compression
21	134300	Spacer, Split, Large .28 Id. x .96
22	121246X	Bracket, Switch, Mounting
23	131451	Pan, Seat

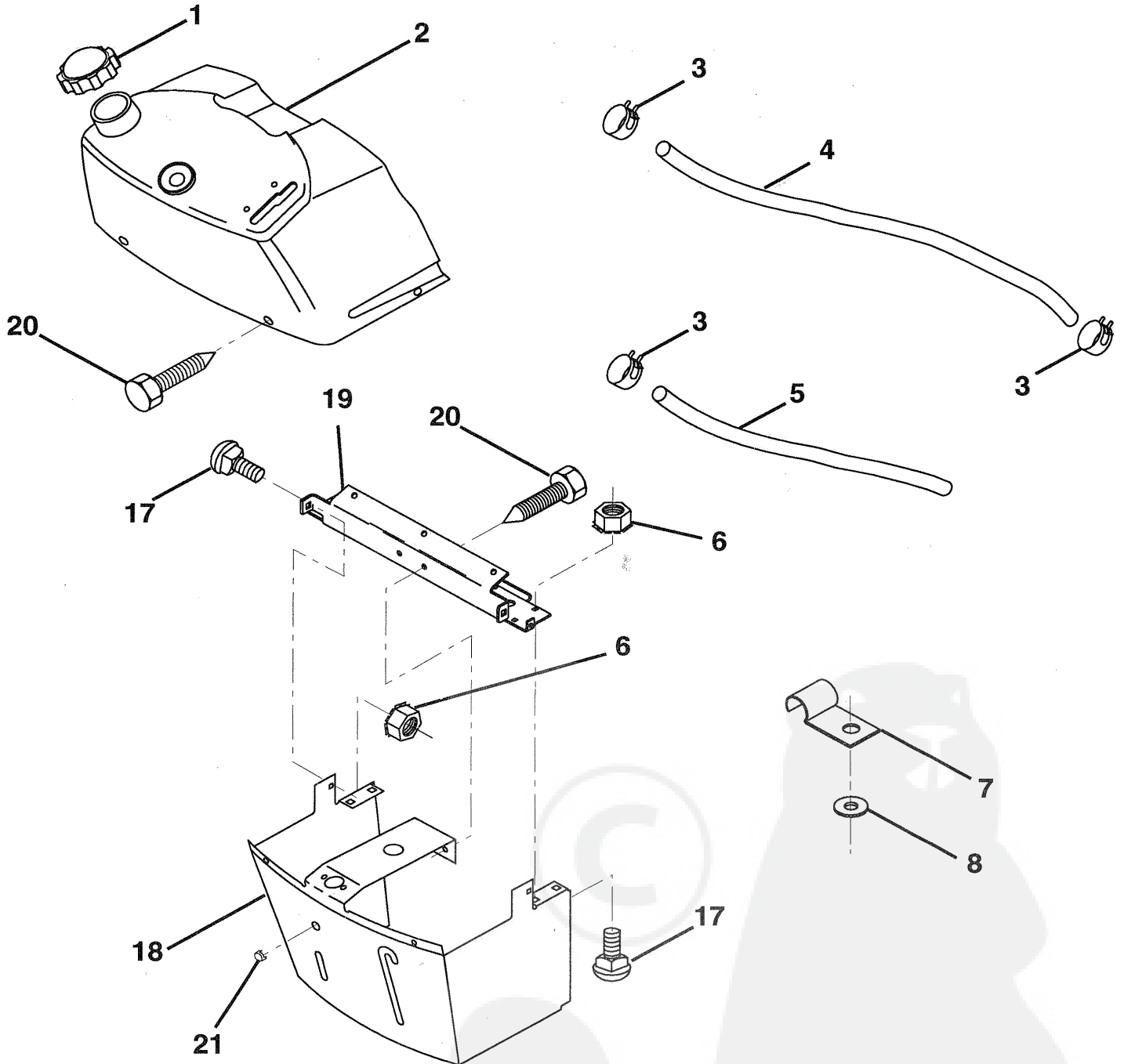
**NOTE:** All component dimensions given in U.S. inches  
1 inch = 25.4 mm

HARDWARE SHOWN LARGER FOR EASIER IDENTIFICATION

# REPAIR PARTS

## 12.5 HP 38" TRACTOR -- MODEL NUMBER 6H2A9A

### DASHBOARD



#### KEY PART NO. NO.

#### DESCRIPTION

1	132734	Cap, Fuel
2	138392	Assembly, Dash & Fuel Tank
3	123487X	Clamp, Hose
4	8544R	Line, Fuel
5	8548R	Line, Fuel
6	73510400	Nut, Hex, Keps 1/4-20
7	2751R	Clip, Fuel Line
8	19091216	Washer .9/32 x 3/4 x 16 Gauge

#### KEY PART NO. NO.

#### DESCRIPTION

17	72110404	Bolt, Carriage 1/4-20 x 1/2 Grade 5
18	131886	Support Assembly, Dash
19	134744	Brace, Cross
20	17060408	Screw, Self-Tapping 1/4-20 x 1/2
21	134014	Plug, Dome

**NOTE:** All component dimensions given in U.S. inches  
1 inch = 25.4 mm

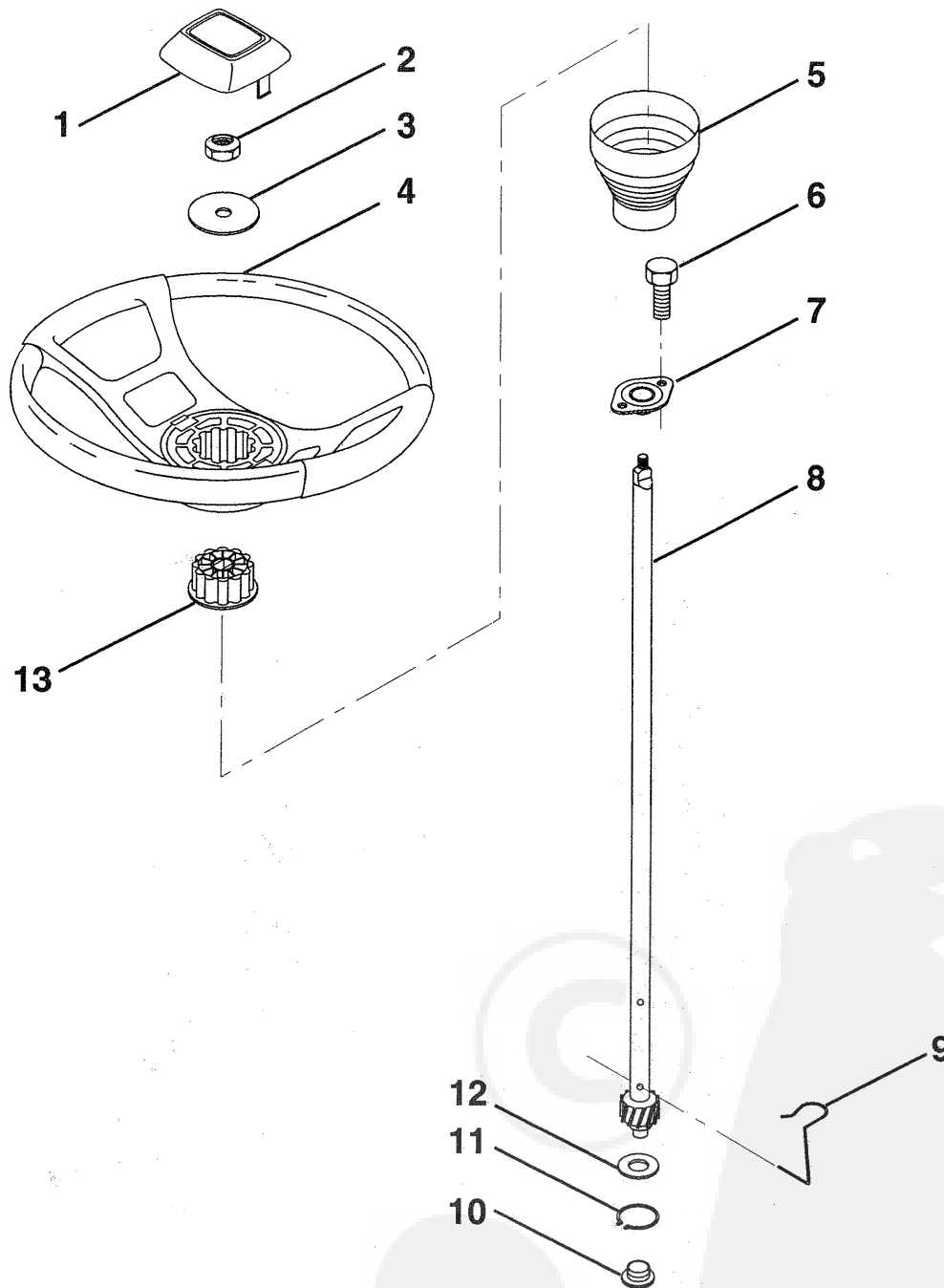
HARDWARE SHOWN LARGER FOR EASIER IDENTIFICATION



# REPAIR PARTS

12.5 HP 38" TRACTOR -- MODEL NUMBER 6H2A9A

## STEERING WHEEL



### KEY PART NO. NO.

KEY PART NO.	DESCRIPTION
1	133742 Insert, Steering Wheel
2	7810H Locknut 3/8-24 UNF
3	19133808 Washer 13/32 x 2-3/8 x 8 Gauge
4	133741 Wheel, Steering
5	121897X Sleeve, Steering
6	17431008 Screw, Hex Self-Tapping #10-16 x 1/2
7	102803X Bushing, Steering

### KEY PART NO. NO.

KEY PART NO.	DESCRIPTION
8	123651X Shaft, Steering
9	124210X Clip, Steering
10	123438X Bushing, Lower, Steering
11	12000045 Ring, Retaining
12	19211616 Washer 21/32 x 1 x 16 Gauge
13	104820X Adaptor, Steering Wheel

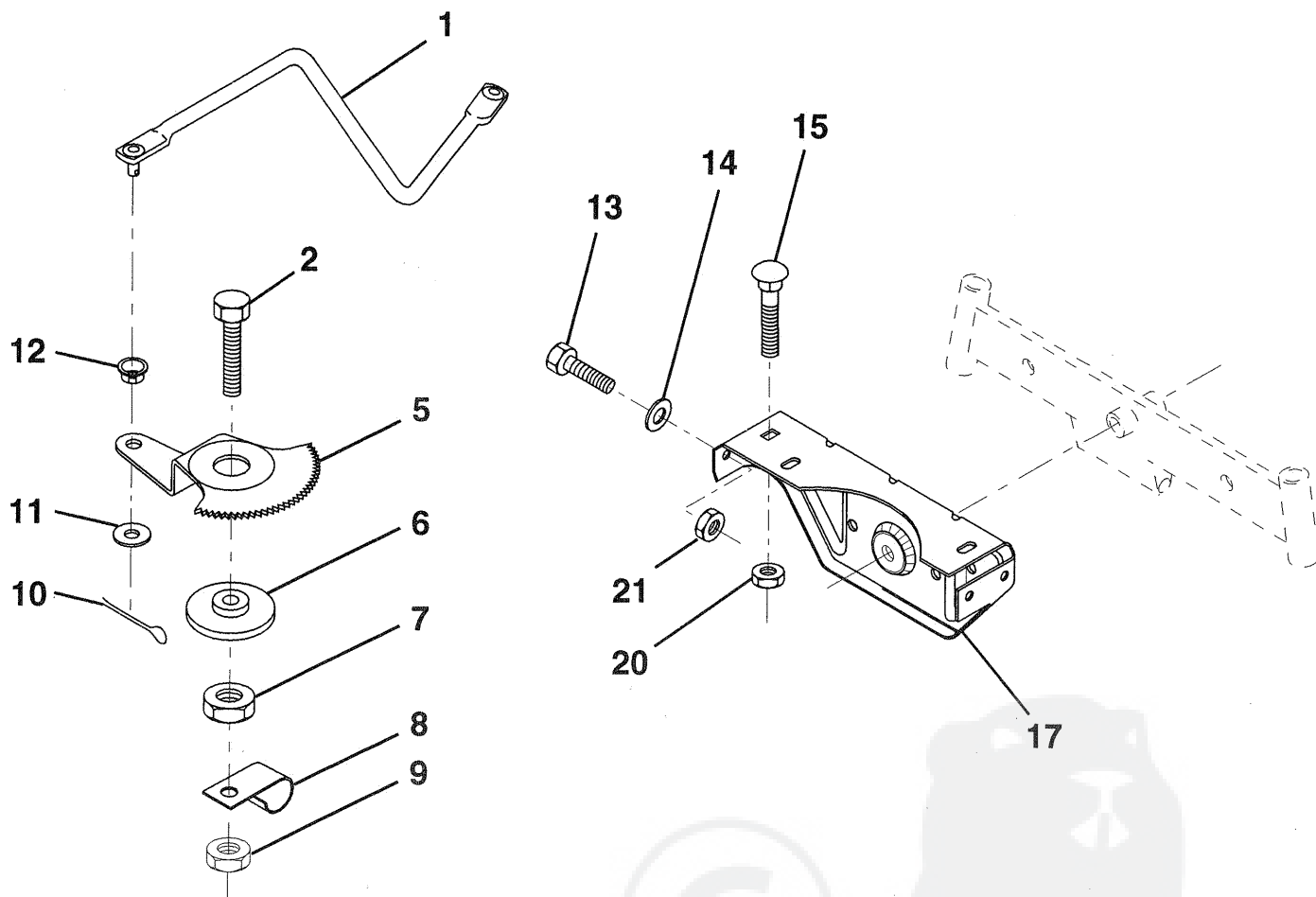
**NOTE:** All component dimensions given in U.S. inches  
1 inch = 25.4 mm

HARDWARE SHOWN LARGER FOR EASIER IDENTIFICATION

# REPAIR PARTS

## 12.5 HP 38" TRACTOR - - MODEL NUMBER 6H2A9A

### SECTOR GEAR / AXLE SUPPORT



#### KEY PART NO. NO.

KEY PART NO. NO.	DESCRIPTION
1 132566	Link, Drag
2 74780828	Bolt, Hex, Fin. 1/2-13 x 1-3/4
5 121926X	Gear, Sector
6 121927X	Bushing
7 73030800	Nut, Heavy, Hex, Top Lock 1/2-13 UNC
8 126472X	Clip, Wire
9 73680800	Nut, Crownlock 1/2-13
10 76020412	Pin, Cotter 1/8 x 3/4

#### KEY PART NO. NO.

KEY PART NO. NO.	DESCRIPTION
11 19131316	Washer 13/32 x 13/16 x 16 Gauge
12 126847X	Bushing
13 74760512	Bolt, Hex 5/16-18 UNC x 3/4
14 19111416	Washer 11/32 x 7/8 x 16 Gauge
15 72110606	Bolt, Carriage 3/8-16 UNC x 3/4
17 137096	Support, Front Axle
20 73680600	Nut, Crownlock 3/8-16 UNC
21 73680500	Nut, Crownlock 5/16-18

**NOTE:** All component dimensions given in U.S. inches  
1 inch = 25.4 mm

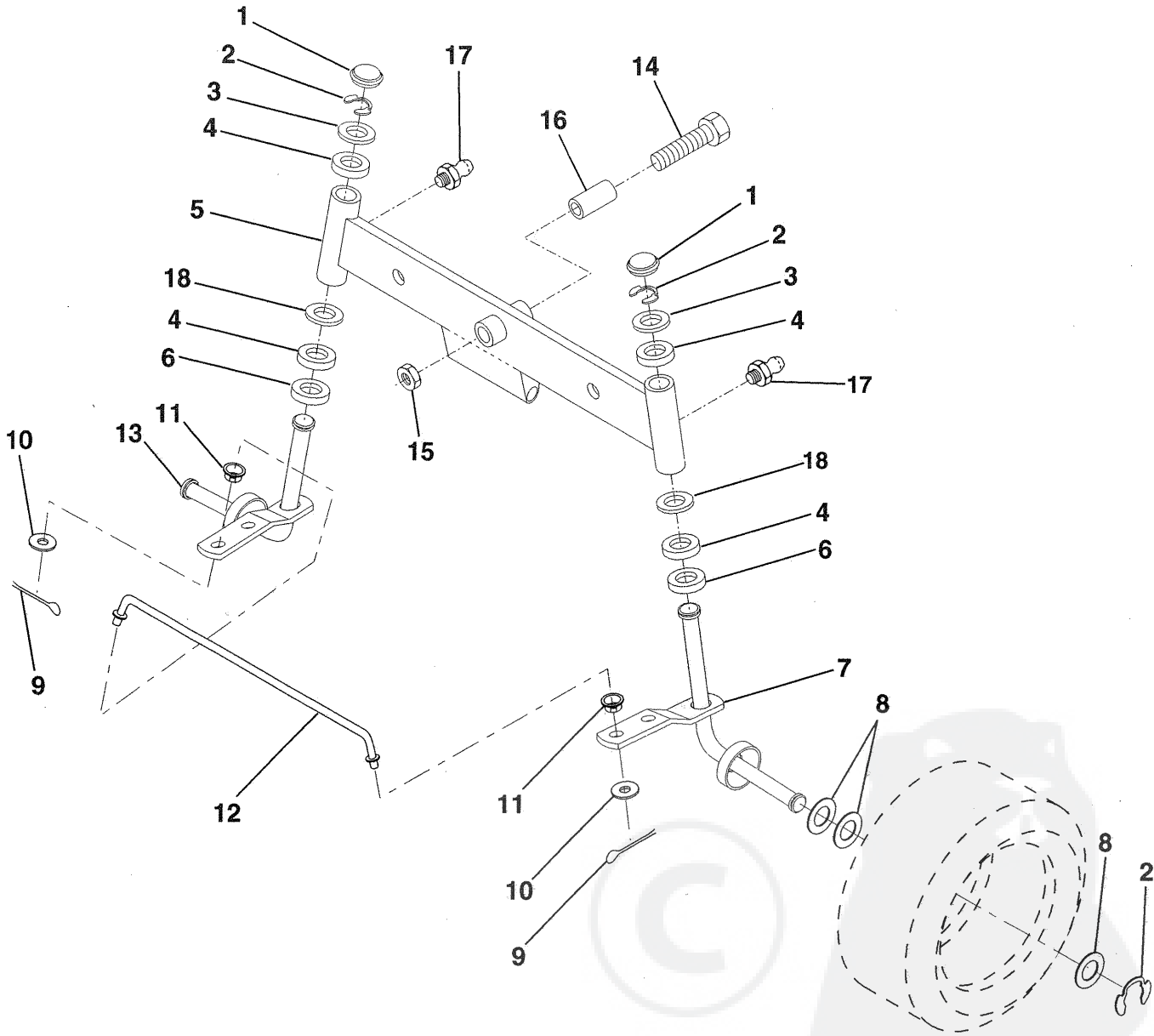
HARDWARE SHOWN LARGER FOR EASIER IDENTIFICATION



# REPAIR PARTS

## 12.5 HP 38" TRACTOR -- MODEL NUMBER 6H2A9A

### FRONT AXLE



**KEY PART  
NO. NO.**

**DESCRIPTION**

1	121232X	Cap, Spindle
2	12000029	Ring, Klip
3	121748X	Washer 25/32 x 1-5/8 x 16 Gauge
4	3366R	Bearing Col. Strg.
5	133988	Axle, Front
6	6266H	Bearing, Thrust
7	137062	Spindle Assembly, RH
8	121749X	Washer 25/32 x 1-1/4 x 16 Gauge
9	76020412	Pin, Cotter 1/8 x 3/4
10	19131316	Washer 13/32 x 13/16 x 16 Gauge

**KEY PART  
NO. NO.**

**DESCRIPTION**

11	126847X	Bushing
12	130465	Rod, Tie
13	137061	Spindle Assembly, LH
14	74011056	Bolt, Hex 5/8 - 11 x 3-1/2
15	73901000	Nut, Lock Flange 5/8 - 11
16	110438X	Spacer Bearing Axle Front
17	6855M	Fitting Grease
18	19272016	Washer 27/32 x 1-1/4 x 16 Ga.

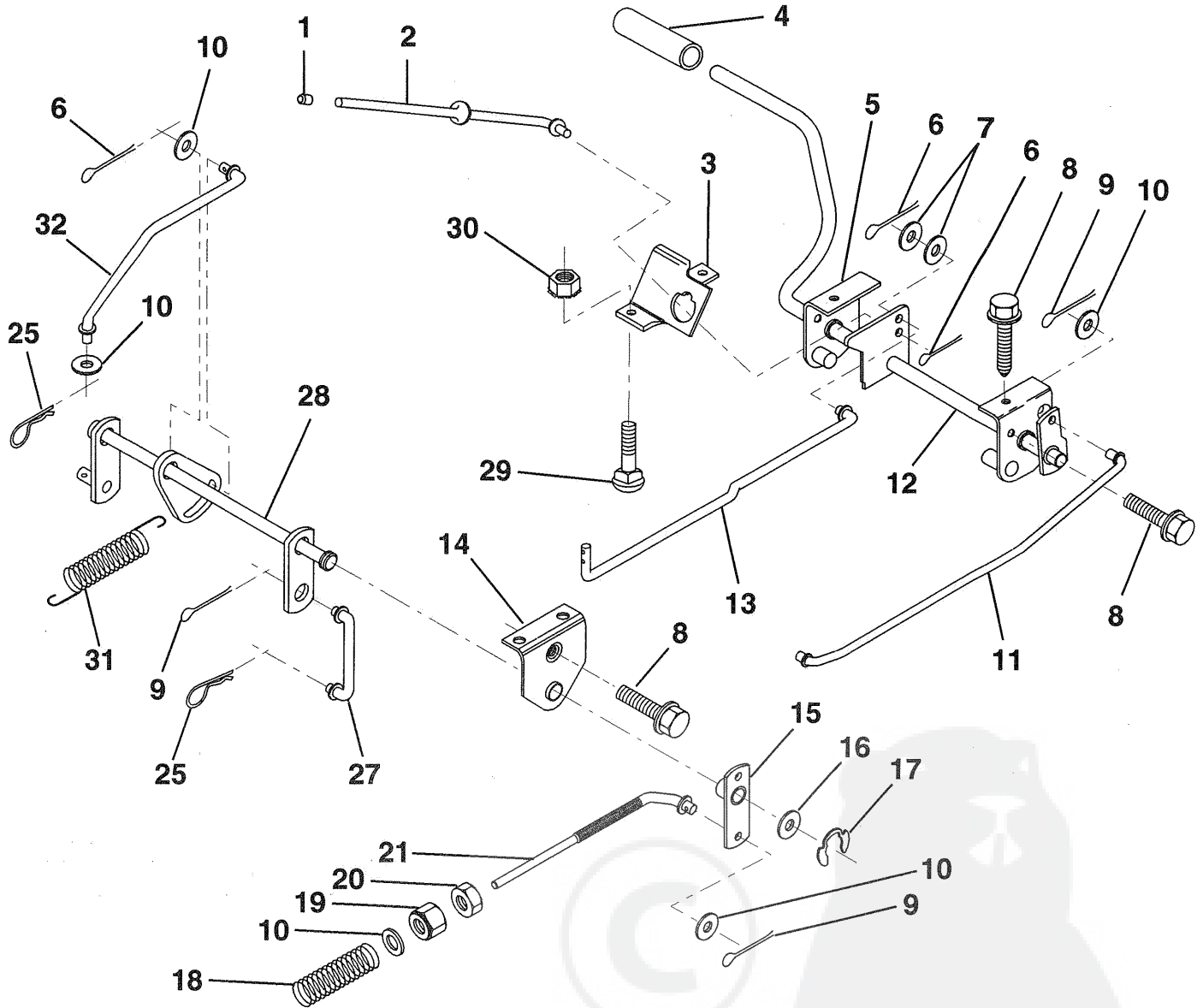
**NOTE:** All component dimensions given in U.S. inches  
1 inch = 25.4 mm

HARDWARE SHOWN LARGER FOR EASIER IDENTIFICATION

# REPAIR PARTS

## 12.5 HP 38" TRACTOR -- MODEL NUMBER 6H2A9A

### BRAKE / REAR MOWER LIFT ASSEMBLY



#### KEY PART NO. NO.

#### DESCRIPTION

1	71673	Cap, Plunger
2	123436X	Rod, Parking Brake
3	123437X	Bracket, Parking Brake
4	8883R	Cover, Pedal
5	132205	Bracket Assy., Clutch Pedal, LH
6	76020312	Pin, Cotter 3/32 x 3/4
7	19131016	Washer 13/32 x 5/8 x 16 Gauge
8	17490508	Screw, Hex, Thd. Roll. 5/16-18 x 1/2
9	76020412	Pin, Cotter 1/8 x 3/4
10	19131316	Washer 13/32 x 13/16 x 16 Gauge
11	123543X	Rod, Front Brake
12	136263	Assembly, Clutch/Brake Pedal
13	123394X	Rod, Clutch
14	121978X	Bracket, Lift, Shaft

#### KEY PART NO. NO.

#### DESCRIPTION

15	123641X	Assembly, Brake, Pivot, Arm
16	19251816	Washer 25/32 x 1-1/8 x 16 Gauge
17	12000034	Ring, Klip
18	106888X	Spring, Brake Rod
19	73350600	Nut, Hex, Jam 3/8-16 UNC
20	73800600	Nut, Crownlock 3/8-16 UNC
21	131936	Rod, Rear Brake
25	4921H	Spring, Retainer
27	136780	Link, Lift Rear
28	136779	Assembly, Rear Mower Lift
29	72110506	Bolt, Carriage 5/16-18 UNC x 3/4
30	73510500	Nut, Keps 5/16-18 UNC
31	133095	Spring, Counterbalance
32	133721	Link, Lift Lever

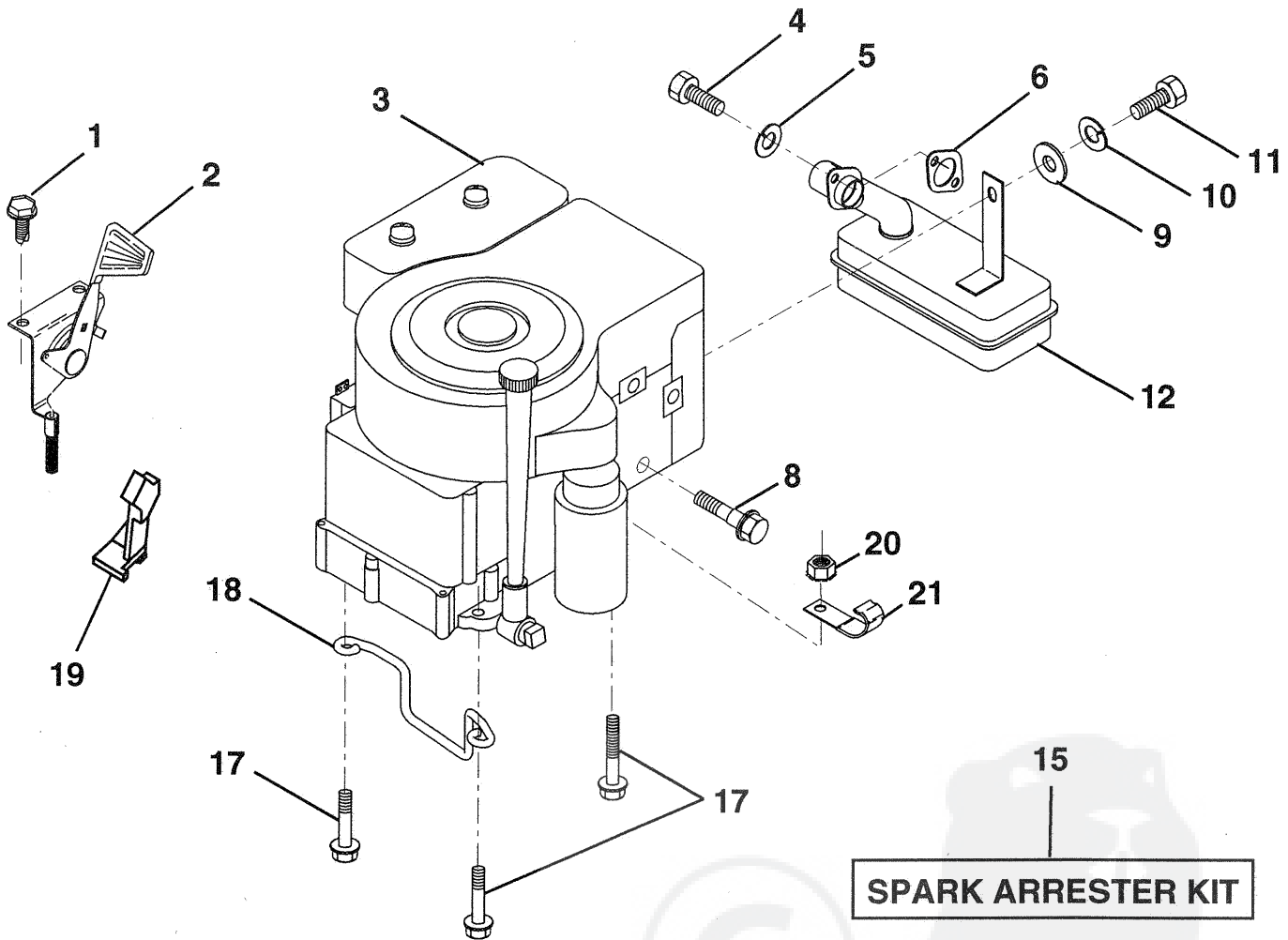
**NOTE:** All component dimensions given in U.S. inches  
1 inch = 25.4 mm

HARDWARE SHOWN LARGER FOR EASIER IDENTIFICATION

# REPAIR PARTS

## 12.5 HP 38" TRACTOR - - MODEL NUMBER 6H2A9A

### ENGINE / THROTTLE



#### KEY PART NO. NO.

#### DESCRIPTION

1	17060408	Screw, Hex, Thread Cutting 1/4-20 x 1/2
2	133025	Control, Throttle
3	-----	Engine, Briggs & Stratton, 12.5 HP, Model 289707
4	71070512	Screw, Hex Head Cap 5/16-18 x 3/4
5	10040500	Washer, Lock, Heavy Helical Spring 5/16
6	125593X	Gasket, Exhaust
8	121094X	Bolt, Shoulder
9	19101216	Washer 5/16 x 3/4 x 16 Gauge
10	10040400	Washer, Lock, Heavy Helical Spring 1/4

#### KEY PART NO. NO.

#### DESCRIPTION

11	74780416	Bolt, Hex, Fin. 1/4-20 UNC x 3/4
12	137437	Muffler
15	137180	Kit, Spark Arrester (Optional)
17	17490624	Screw, Hex Washer Head, Thd. Roll. 3/8-16 x 1-1/2
18	126636X	Keeper, Ground Drive Belt
19	127951	Stop, Throttle
20	73510600	Nut, Keps Hex 3/8 - 16 UNC
21	2751R	Clip, Fuel Line

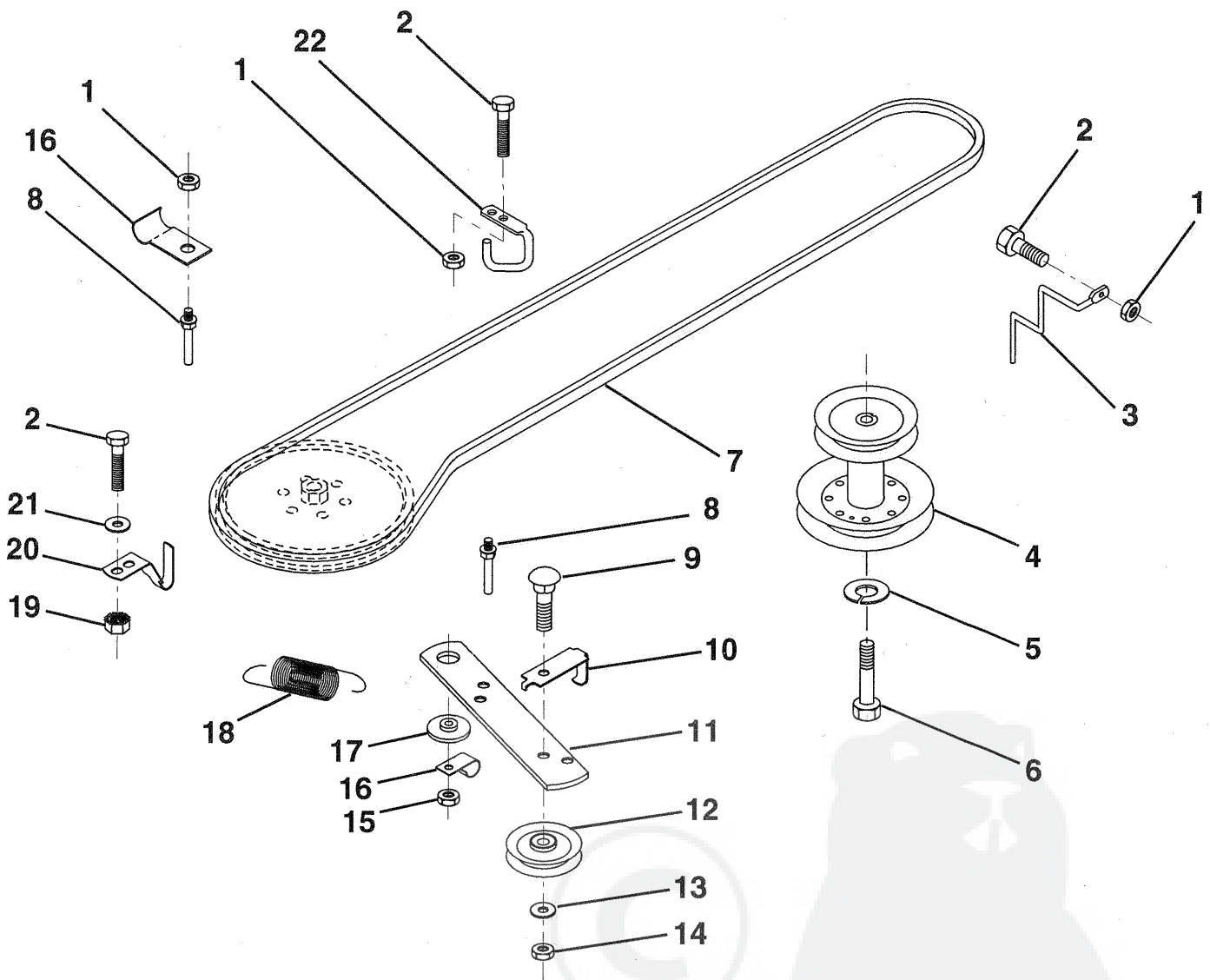
**NOTE:** All component dimensions given in U.S. inches  
1 inch = 25.4 mm

HARDWARE SHOWN LARGER FOR EASIER IDENTIFICATION

# PIECES DE RECHANGE

TRACTEUR 12,5 C.V. 38 PO. - - NUMERO DE MODELE 6H2A9A

## ENTRAINEMENT



NO. DE REF.	NO. DE PIECE	DESCRIPTION	NO. DE REF.	NO. DE PIECE	DESCRIPTION
1	73680500	Ecrou auto-serrant 5/16-18	14	73930600	Ecrou frein 3/8-16 UNC
2	74760512	Boulon H 5/16-18 UNC x 3/4	15	73680600	Ecrou auto-serrant 3/8-16 UNC
3	132946	Guide-courroie d'entraînement de tondeuse - moteur	16	126471X	Pince isolée
4	135036	Poulie du moteur	17	122052X	Entretoise
5	10040700	Rondelle frein 7/16	18	131459	Ressort de traction
6	71130748	Boulon H 7/16-20 UNF x 3	19	73510500	Ecrou à taquets 5/16-18 UNC
7	124525X	Courroie trapézoïdale d'entraînement	20	123891X	Guide-courroie d'entraînement
8	123405X	Guide-courroie d'entraînement	21	19111016	Rondelle 11/32 x 5/8 x 16 Ga.
9	72140612	Boulon de chariot 3/8-16 x 1-1/2	22	123404X	Guide-courroie d'entraînement du châssis
10	123396X	Guide-courroie d'entraînement du galet-tendeur			
11	123395X	Bras d'embrayage d'entraînement			
12	4859J	Galet-tendeur plat			
13	19131316	Rondelle 13/32 x 13/16 x 16 Ga.			

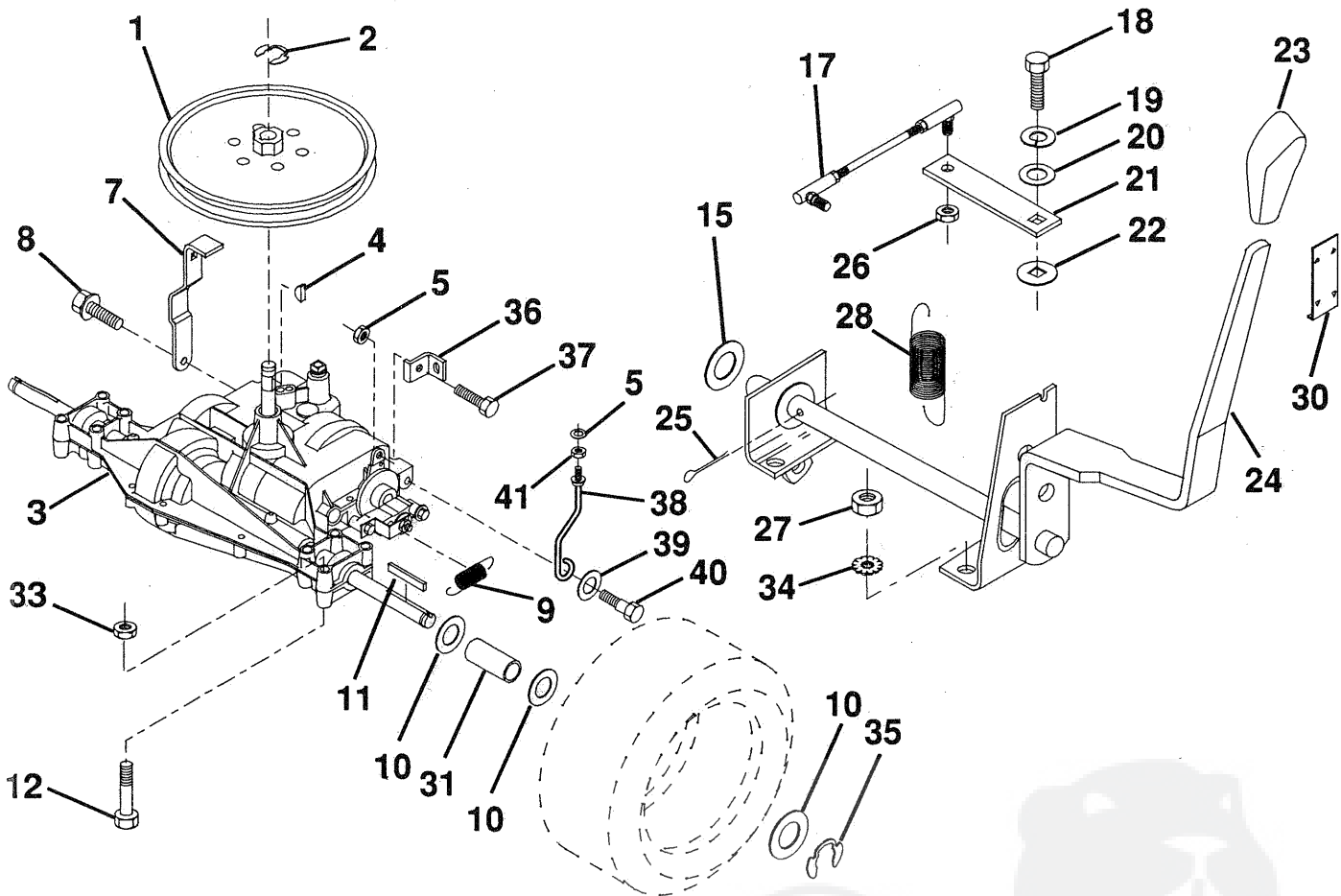
**REMARQUE:** Toutes les dimensions de composants sont données en pouces E.-U. -- 1 pouce = 25,4 mm

LA VISSERIE MONTREE EST PLUS GRANDE POUR FACILITER L'IDENTIFICATION.

# PIECES DE RECHANGE

TRACTEUR 12,5 C.V. 38 PO. -- NUMERO DE MODELE 6H2A9A

## TRANSMISSION



NO. DE REF.	NO. DE PIECE	DESCRIPTION
1	123385X	Poulie
2	12000028	Bague de fermeture
3	131944	Transmission Dana, 6 vitesses, numéro de modèle 2000-06
4	2228M	Clavette-disque #9
5	73680500	Ecrou auto-serrant 5/16-18
6	72140506	Boulon du chariot 5/16-18 UNC x 3/4
7	131939	Bande de torsion
8	17490512	Vis à filets laminage H 5/16-18 x 3/4
9	110422X	Ressort de frein
10	121749X	Rondelle 25/32 x 1-1/4 x 16 Ga.
11	123583X	Clé carrée
12	74760644	Boulon H 3/8-16 x 2-3/4
15	19171616	Rondelle 17/32 x 1 x 16 Ga.
17	131940	Raccord de changement de vitesse
18	71040412	Boulon H 1/4-28 x 3/4 Cat. 8
19	10040400	Rondelle frein 1/4
20	19091210	Rondelle 9/32 x 3/4 x 10 Ga.
21	131934	Bras de changement de vitesse
22	105701X	Rondelle de la plaque de changement de vitesse

NO. DE REF.	NO. DE PIECE	DESCRIPTION
23	122011X	Bouton
24	131933	Levier de l'ens. de changement de vitesse
25	76020412	Goupille fendue 1/8 x 3/4
26	73810500	Ecrou H en nylon 5/16-24
27	73510500	Ecrou à taquets 5/16-18
28	128085	Ressort de traction
30	123692X	Arrêtoir de bouton
31	123409X	Entretoise
33	73680600	Ecrou auto-serrant 3/8-16
34	11050500	Rondelle frein a dents ext. 5/16
35	12000001	Bague en E
36	131935	Support de frein
37	74760512	Boulon H 5/16 - 18 x 3/4
38	131937	Guide-courroie Rh
39	19171612	Rondelle 17/32 x 1 x 12 Ga.
40	132827	Boulon à épaulement 5/16 - 18
41	73800500	Ecrou frein H w/ins. 5/16 - 18

REMARQUE: Toutes les dimensions de composant sont données en pouces E.-U. -- 1 pouce = 25,4 mm

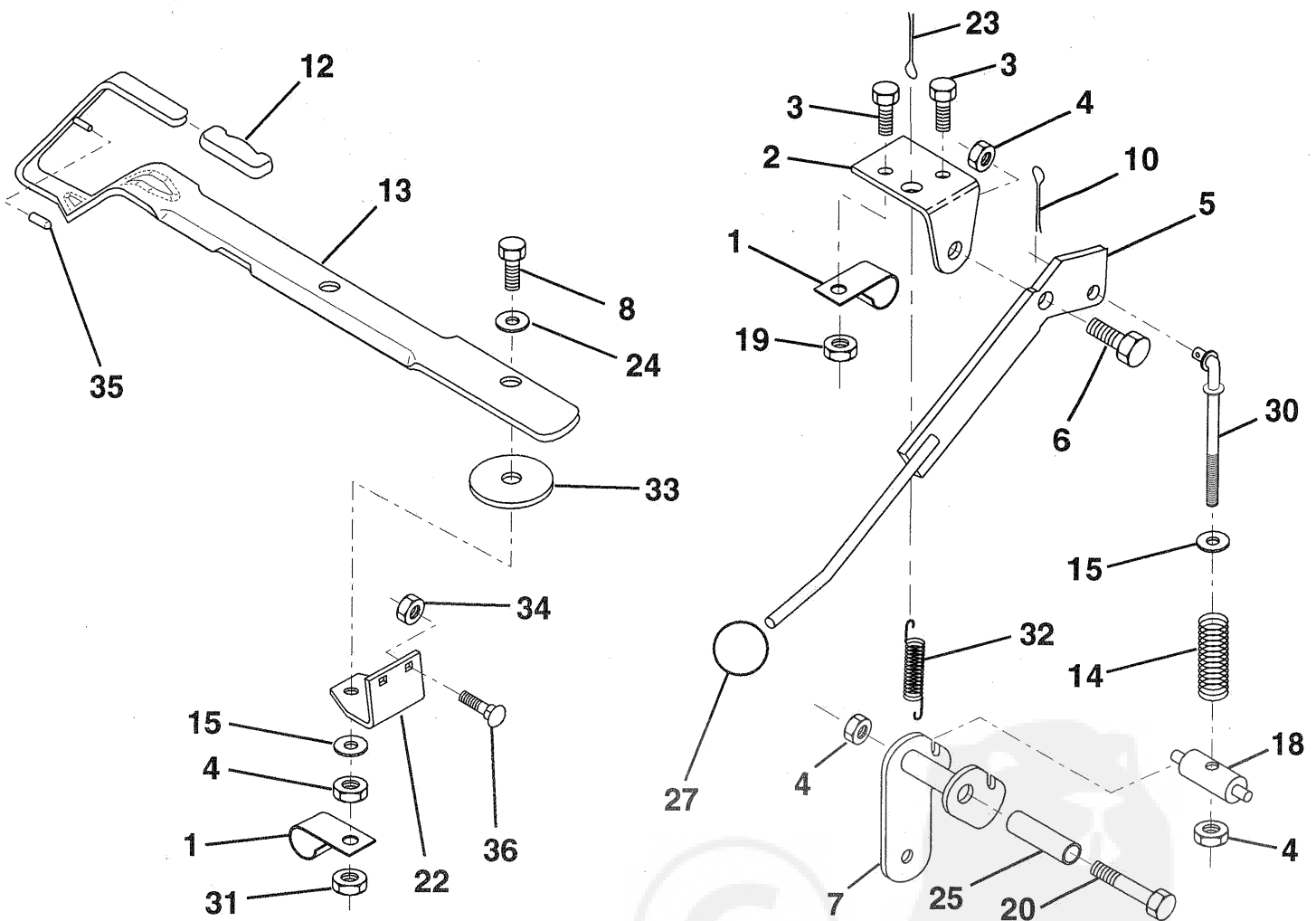
LA VISSERIE MONTREE EST PLUS GRANDE POUR FACILITER L'IDENTIFICATION.



# REPAIR PARTS

## 12.5 HP 38" TRACTOR - - MODEL NUMBER 6H2A9A

### MOWER LIFT LEVER



#### KEY PART NO. NO.

#### DESCRIPTION

1	126470X	Clip, Fuel Line
2	122018X	Bracket, Mower Clutch
3	74780408	Bolt, Hex, Fin 1/4-20 UNC x 1/2 Grade 5
4	73680600	Nut, Crownlock 3/8-16 UNC
5	132552	Assembly, Clutch Lever
6	106451X	Bolt, Shoulder
7	135110	Assembly, Mower Clutch Arm
8	74930624	Bolt, Hex 3/8-16 x 1-1/2
10	76020412	Pin, Cotter 1/8 x 3/4
12	122027X	Handle, Lift Lever
13	136658	Lift Lever
14	133939	Spring, Compression, Clutch
15	19131616	Washer 13/32 x 1 x 16 Gauge
18	135107	Trunnion
19	73680400	Nut, Crownlock 1/4-20

#### KEY PART NO. NO.

#### DESCRIPTION

20	74760644	Bolt, Hex, Fin. 3/8-16 UNC x 2-3/4
22	132561	Bracket, Lift Lever
23	76020312	Pin, Cotter 3/32 x 3/4
24	7672J	Washer 25/64 x 1-1/4 x 12 Gauge
25	121933X	Tube, Spacer
27	121466X	Knob
30	135039	Rod, Tension, Clutch
31	73930600	Nut, Centerlock 3/8-16
32	133435	Spring, Extension, Return
33	62333	Washer
34	73680500	Nut, Crownlock 5/16-18
35	133603	Cap, Vinyl, Red
36	72140506	Bolt, Carriage 5/16-18 x 3/4

**NOTE:** All component dimensions given in U.S. inches  
1 inch = 25.4 mm

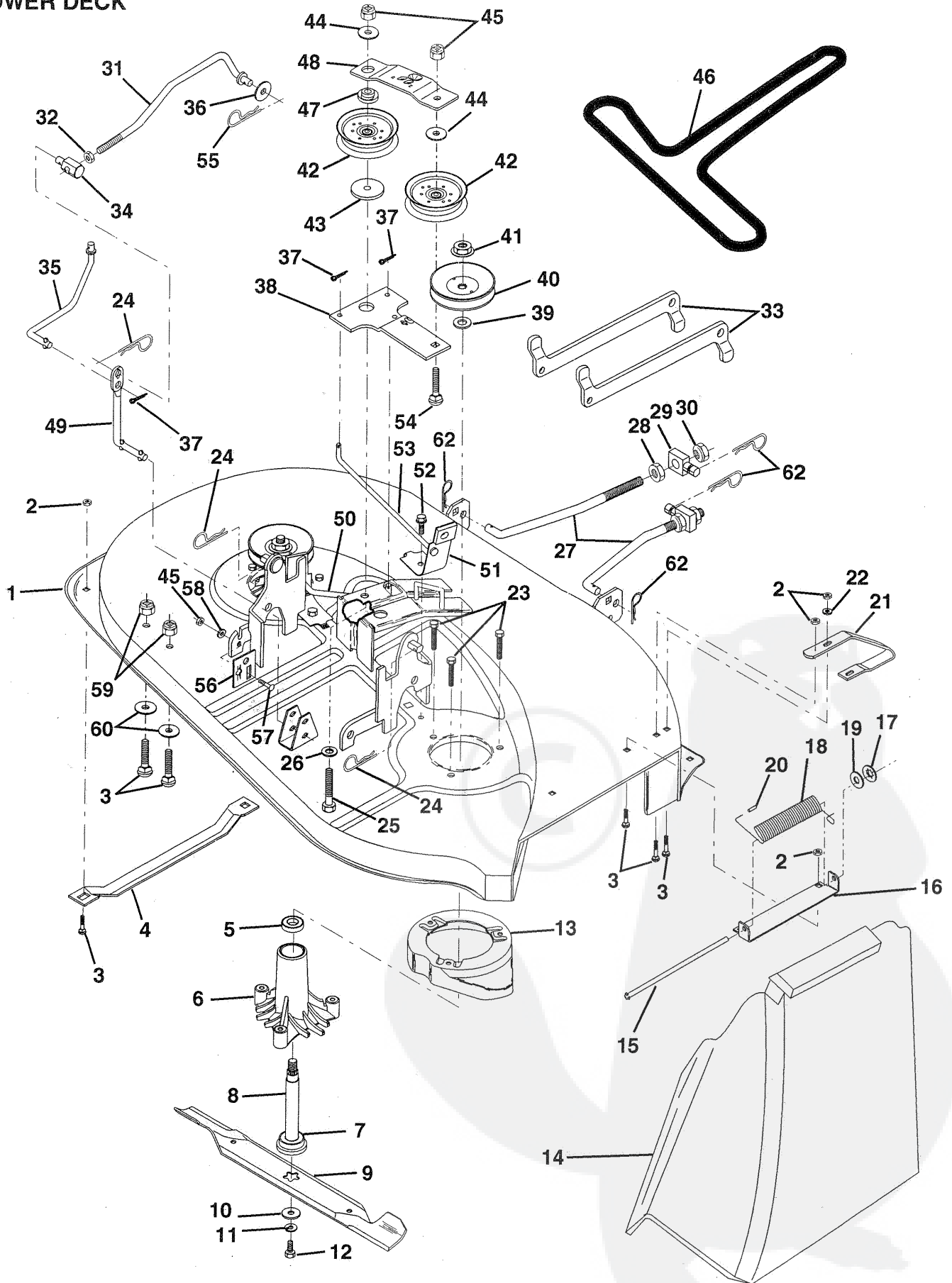
HARDWARE SHOWN LARGER FOR EASIER IDENTIFICATION



# REPAIR PARTS

## 12.5 HP 38" TRACTOR -- MODEL NUMBER 6H2A9A

### MOWER DECK



# REPAIR PARTS

## 12.5 HP 38" TRACTOR - - MODEL NUMBER 6H2A9A

### MOWER DECK

KEY NO.	PART NO.	DESCRIPTION	KEY NO.	PART NO.	DESCRIPTION
1	138356	Mower Deck Assembly	34	133604	Trunnion 3/8-16
2	73680500	Nut, Crownlock 5/16-18	35	132554	Rod, Clutch, Secondary
3	72140506	Bolt, Carriage 5/16-18 x 3/4	36	19131316	Washer 13/32 x 13/16 x 16 Gauge
4	7631J	Runner, L.H.	37	76020312	Pin, Cotter 3/32 x 3/4
5	110485X	Bearing	38	133840	Idler Arm
6	128774	Housing, Mandrel	39	129963	Washer .150 Thick
7	129895	Bearing	40	129206	Pulley, Mandrel
8	137645	Shaft & Bearing Assembly, Mandrel (Includes Key #7)	41	137266	Nut, Flangelock 9/16
9	131322	Blade, High Performance	42	131494	Pulley, Flat Idler
10	129962	Washer, Hard	43	122052X	Spacer, Retainer
11	10030600	Washer, Lock 3/8	44	19131612	Washer 13/32 x 1 x 12 Gauge
12	850857	Bolt 3/8-24 x 1-1/4 Grade 8	45	73680600	Nut, Crownlock 3/8-16
13	136929	Stripper, Mower, Vented	46	131290	Belt
14	106736X	Shield, Deflector	47	133502	Spacer, Idler Arm
15	106735X	Rod, Hinge	48	133503	Stiffener, Idler Arm
16	137607	Bracket Assembly, Deflector	49	133551	Rod, Pivot
17	110452X	Pushnut	50	131289	Rod, Brake, L.H.
18	106734X	Spring, Deflector	51	130840	Brake Assembly
19	19111016	Washer 11/32 x 5/8 x 16 Gauge	52	17490512	Screw, Hex Washer Head, Thd., Roll. 5/16-18 x 3/4
20	105304X	Cap, Sleeve	53	131288	Rod, Brake, R.H.
21	128772	Runner, R.H.	54	72110614	Bolt, Carriage 3/8-16 x 1-3/4 Grade 5
22	19111216	Washer 11/32 x 3/4 x 16 Gauge	55	4497H	Spring, Retainer
23	78158	Bolt 5/16-18 x 1-1/4	56	136782	Plate Adj. Link Rear
24	4939M	Retainer, Spring	57	72140606	Bolt Carriage 3/8 - 16 Unc X 3/4
25	74600636	Bolt, Carriage 3/8-16 x 2-1/4	58	19131212	Washer 13/32 x 3/4 x 12 Ga.
26	19131612	Washer 13/32 x 1 x 12 Gauge	59	73800500	Locknut - Hex w/ins 5/16 - 18
27	132556	Link Assembly, Front	60	19111112	Washer 11/32 x 11/16 x 16 Ga.
28	73350800	Nut, Hex, Jam 1/2-13 UNC	62	3146R	Retainer Spring
29	130171	Trunnion	--	138422	Mower Deck, Complete
30	73800800	Locknut with Washer Insert 1/2-13 UNC	--	130794	Mandrel Asm (Includes Key #'s 5-8, 10-12, 39 and 41)
31	132553	Rod, Clutch, Primary			
32	73350600	Nut, Hex, Jam 3/8-16			
33	132559	Arm, Suspension, Rear			

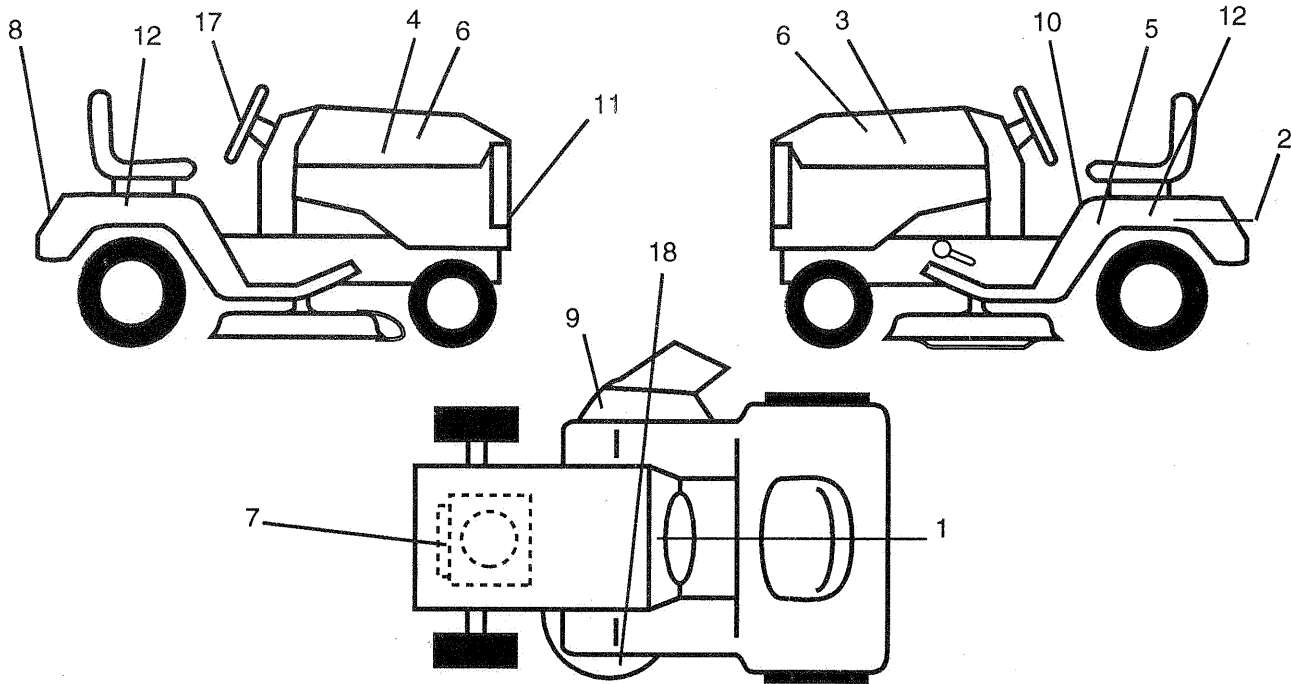
**NOTE:** All component dimensions given in U.S. inches  
1 inch = 25.4 mm

HARDWARE SHOWN LARGER FOR EASIER IDENTIFICATION

# REPAIR PARTS

## 12.5 HP 38" TRACTOR -- MODEL NUMBER 6H2A9A

### DECALS



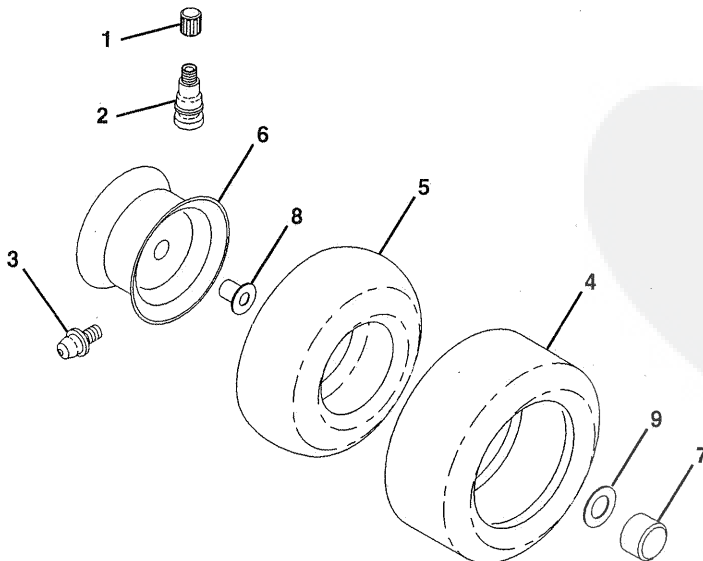
### KEY PART NO. NO.

KEY PART NO. NO.	DESCRIPTION
1	123637X Decal, Instruction, English
2	121549X Decal, Caution Battery
3	136504 Decal, Stripe, Hood, L.H.
4	136503 Decal, Stripe, Hood, R.H.
5	132928 Decal, Height Indicator, Deck
6	135866 Decal, HP, Hood
7	129057 Decal, Engine
8	132628 Decal, Fender

### KEY PART NO. NO.

KEY PART NO. NO.	DESCRIPTION
9	137259 Decal, Warning
10	133795 Decal, Caution
11	132627 Decal, Logo, Grill
12	138804 Decal, Fender Quicksht.
17	127075 Decal, Logo, Steering Wheel
18	135013 Decal, Enviro
--	138573 Manual, Operator's, English
--	138571 Manual, Operator's, French
--	138965 Manual, Parts, English / French

### WHEELS & TIRES



### KEY PART NO. NO.

KEY PART NO. NO.	DESCRIPTION
1	59192 Cap, Valve
2	65139 Stem, Valve
3	278H Fitting, Grease (Front Only)
4	137422 Tire, Front
	132703 Tire, Rear
5	59904 Tube, Tire, Front
	(Not Supplied, Service Item Only)
	8134H Tube, Tire, Rear
	(Not Supplied, Service Item Only)
6	137237X311 Rim, Front
	123412X311 Rim, Rear
7	104757X Cap, Axle (Front and Rear)
8	9040H Bearing, Flange (Front only)
9	121748X Washer 25/32 x 1-5/8 x 16 Gauge

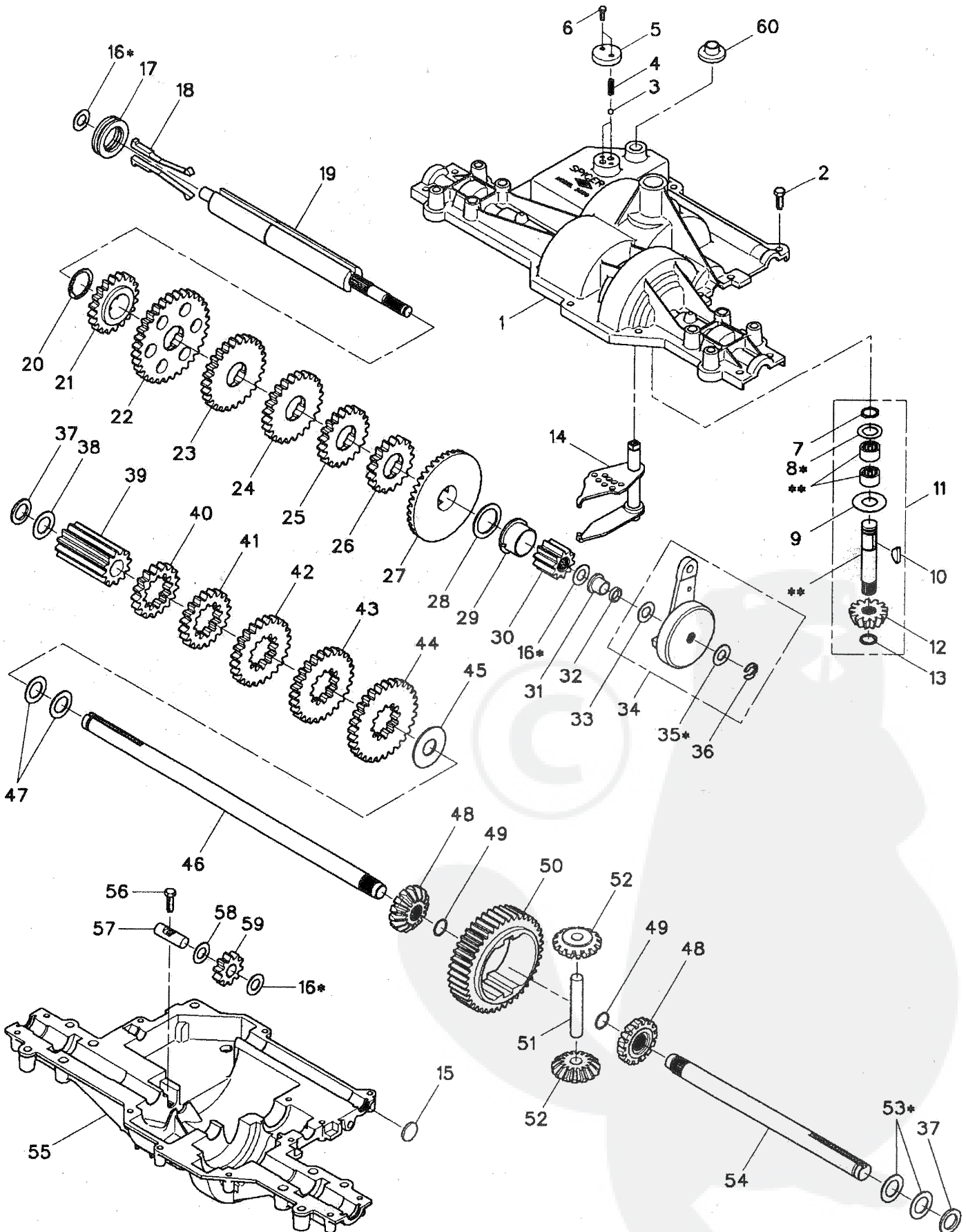
**NOTE:** All component dimensions given in U.S. inches  
1 inch = 25.4 mm

HARDWARE SHOWN LARGER FOR EASIER IDENTIFICATION

# REPAIR PARTS

12.5 HP 38" TRACTOR - - MODEL NUMBER 6H2A9A

DANA TRANSAXLE - MODEL NUMBER 2000-06



# REPAIR PARTS

## 12.5 HP 38" TRACTOR - - MODEL NUMBER 6H2A9A

### DANA TRANSAXLE - MODEL NUMBER 2000-06

KEY PART NO. NO.	DESCRIPTION	KEY PART NO. NO.	DESCRIPTION
1 139171	Housing, Upper	34 139166	Assembly, Kit Cone Brake
2 2274J	Screw, Tapping, Large 1/4-20 x .734	35 134395	Assembly, Kit, Shim, .464 Shaft
3 134400	Ball, Detent	36 134438	Klip Ring
4 134423	Spring, Detent	37 134401	Washer, Neoprene
5 134422	Cover, Detent	38 2263J	Washer, Plain .758 x 1.25 x .062
6 6731J	Screw, Tapping, Large #8-32 x .50	39 134411	Gear, Spur, 12 Teeth
7 2267J	Ring, Retaining	40 134380	Gear, Spur, 17 Teeth
8 134793	Assembly, Kit, Shim, .625 Shaft	41 134384	Gear, Spur, 20 Teeth
9 120415X	Washer, Plain .632 x 1.38 x .046	42 134414	Gear, Spur, 24 Teeth
10 2257J	Key, Woodruff, #9	43 134413	Gear, Spur, 26 Teeth
11 134390	Assembly, Kit, Input Shaft	44 134412	Gear, Spur, 29 Teeth
12 134381	Pinion, Bevel, 13 Teeth	45 134382	Washer, Plain .758 x 1.88 x .062
13 134383	Ring, Retaining	46 139167	Axle, L.H.
14 134387	Assembly, Shifter	47 2264J	Washer, Plain .758 x 1.25 x .031
15 134428	Seal	48 110081X	Gear, Miter, 15 Teeth
16 134393	Assembly, Kit, Shim, .500 Shaft	49 105941X	Ring, Retaining
17 105913X	Collar, Clutch	50 134419	Gear, Spur, 41 Teeth
18 134391	Assembly, Kit, Clutch Keys	51 120952X	Shaft, Cross
19 134415	Shaft, Drive	52 110082X	Gear, Miter, 15 Teeth
20 105916X	Ring, Retaining	53 134394	Assembly, Kit, Shim, .750 Shaft
21 134409	Gear, Spur, 20 Teeth	54 139168	Axle, R.H.
22 134408	Gear, Spur, 32 Teeth	55 139169	Housing, Lower
23 134407	Gear, Spur, 26 Teeth	56 2274J	Screw, Tapping, Large 1/4-20 x .875
24 134406	Gear, Spur, 24 Teeth	57 134385	Shaft, Idler
25 134403	Gear, Spur, 20 Teeth	58 120465X	Washer, Plain .505 x .942 x .020
26 134402	Gear, Spur, 17 Teeth	59 139170	Gear, Spur, 10 Teeth
27 134410	Gear, Bevel, 39 Teeth and Spur, 15 Teeth	60 134399	Boot, Shifter
28 134429	Washer, Plain 1.135 x 1.56 x .062	61 120416X	Grease
29 134421	Bearing, Flange		
30 134418	Gear, Spur, 10 Teeth		
31 134420	Bearing, Flange		
32 134439	Seal		
33 120464X	Washer, Plain .505 x .942 x .015		

\* Use in various combinations to maintain proper clearances.

\*\* Order Key Number 11.

**NOTE:** All component dimensions given in U.S. inches  
1 inch = 25.4 mm