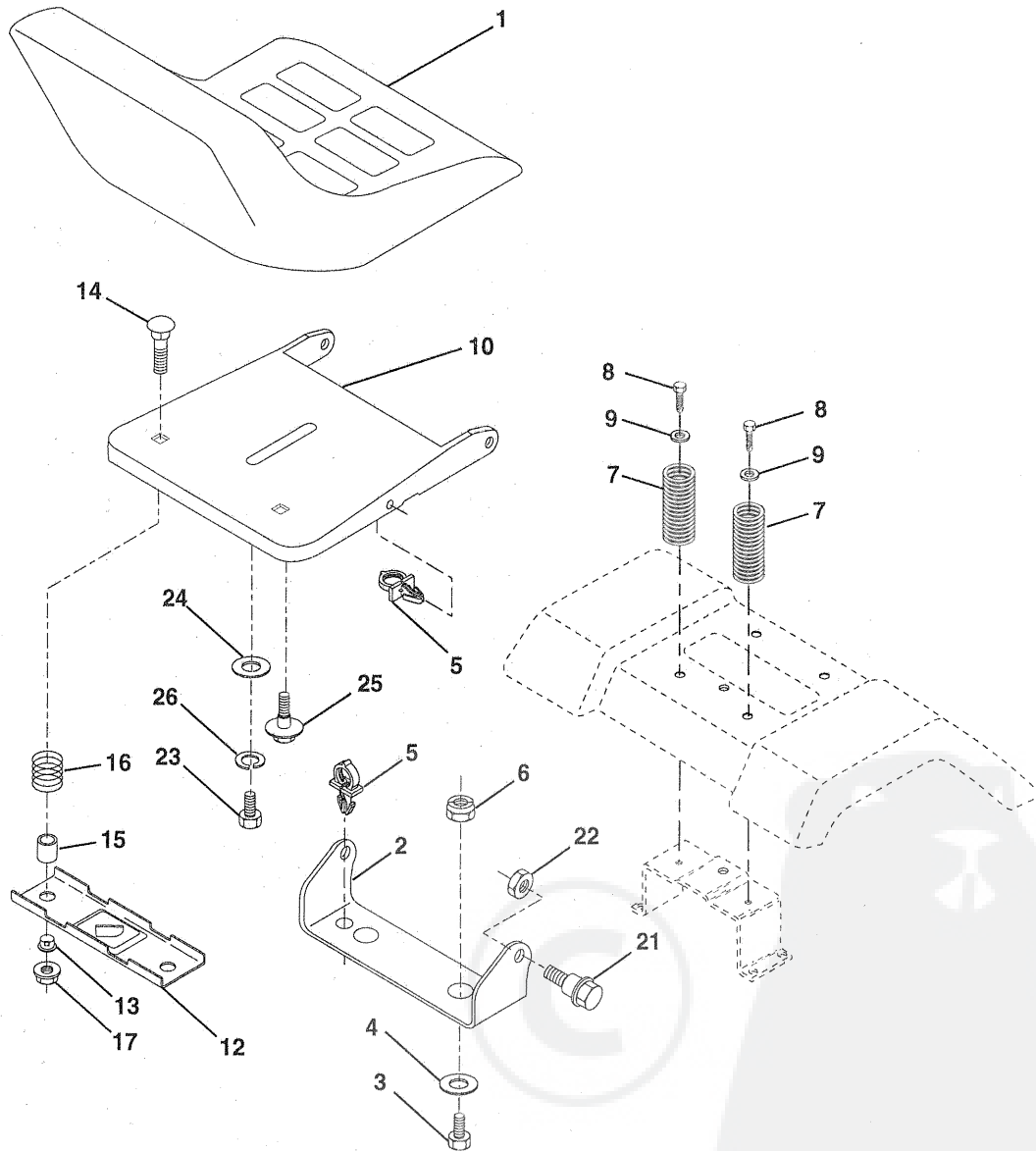


# REPAIR PARTS

## 12.5 HP 42" TRACTOR -- MODEL NUMBER 2H4B3B

### SEAT ASSEMBLY



KEY NO.	PART NO.	DESCRIPTION
1	127427	Seat
2	140551	Bracket Pivot Seat
3	74760612	Bolt Hex 3/8 - 16 X 3/4
4	19131610	Washer 13/32 X 1"
5	140407	Clip Push-In
6	73800600	Nut Lock Hex w/Wsh 3/8 - 16 Unc
7	124181X	Spring Seat Cprsn 2 250 Blk Zi
8	17490616	Screw Thdrol 3/8-16 X 1 Ty-tt
9	19131614	Washer 13/32 X 1 X 14 Ga
10	140552	Pan Seat
12	121246X	Bracket Mounting Switch

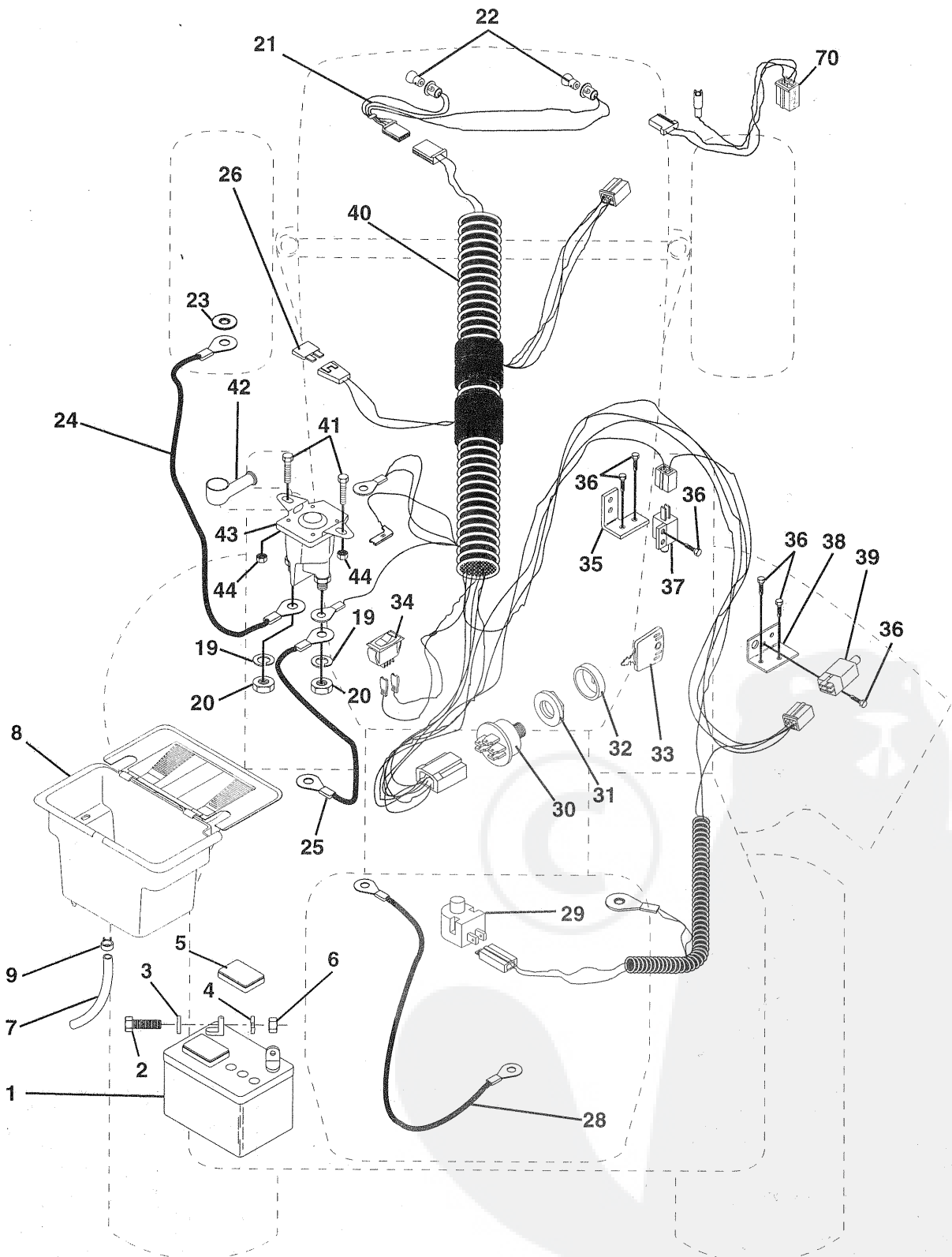
KEY NO.	PART NO.	DESCRIPTION
13	121248X	Bushing Snap Blk Nyl 50 Id
14	72050411	Bolt Rdhd Sht Nk 1/4-20x1-3/8
15	134300	Spacer Split 28x 96 Yel Zinc
16	121250X	Spring Cprsn 1 27 Blk Pnt
17	123976X	Nut Lock 1/4 Lge Flg Gr 5 Zinc
21	139888	Bolt Shoulder 5/16-18
22	73680500	Nut Crown Lock 5/16-18
23	74780814	Bolt Fin Hex 1/2-13 X 7/8 Gr 5
24	19171912	Washer 17/32 X 1-3/16 X 12 Ga
25	127018X	Bolt Shoulder 5/16-18 X 62
26	10040800	Washer Lock Hvy Hlcl Spr 1/2

**NOTE:** All component dimensions given in U.S. inches - 1 inch = 25.4 mm.

# REPAIR PARTS

12.5 HP 42" TRACTOR - - MODEL NUMBER 2H4B3B

## ELECTRICAL



# REPAIR PARTS

## 12.5 HP 42" TRACTOR - - MODEL NUMBER 2H4B3B

### ELECTRICAL

KEY NO.	PART NO.	DESCRIPTION
1	121265X	Battery 12 Volt 25 Amp
2	74760412	Bolt Hex Hd 1/4-20unc X 3/4
3	19091016	Washer 9/32 X 5/8 X 16 Ga
4	10040400	Washer Lock Hvy Helical 1/4
5	121264X	Caps Battery 20/25/30 AMP
6	73220400	Nut Fin Hex 1/4-20 Unc
7	109238X	Tube Plastic
8	129965	Case Battery
9	109596X	Clamp Hose Olive
19	10090400	Washer Lock 1/4
20	73350400	Nut Jam Hex 1/4-20 Unc
21	136850	Harness Asm Light W/4152J
22	4152J	Bulb Light #1156
23	11150400	Washer Lock Internal Tooth 1/4
24	4799J	Cable Battery 6 Ga 11"red
25	132202	Cable Battery 6 Ga 43"red
26	108824X	Fuse 30 AMP Auto Green
28	4207J	Cable Ground 6 Ga 12" black
29	121305X	Switch Plunger Nc Gray
30	140399	Switch Ign 3
31	140400	Nut Ignition
32	141226	Cover Ignition
33	140401	Key Ign
34	110712X	Switch Light Blk Blk Red
35	108236X	Bracket Switch Clutch
36	17021008	Screw Tap Hex #10-24unc X 1/2
37	104445X	Switch Intlk Clutch Gry 2 Term
38	140336	Bracket Switch Interlock
39	109553X	Switch Intlk Clutch Gry 4 Term
40	140414	Harness Ign
41	71110408	Bolt Blk Fin Hex 1/4-20 x 1/2
42	131563	Cover Terminal Red
43	138406	Solenoid
44	73640400	Nut Keps Hex 1/4-20 Unc
70	140413	Harness Eng Briggs/Tec Dual

**NOTE:** All component dimensions give in U.S. inches - 1 inch = 25.4 mm.



# REPAIR PARTS

## 12.5 HP 42" TRACTOR - - MODEL NUMBER 2H4B3B

### CHASSIS AND ENCLOSURES

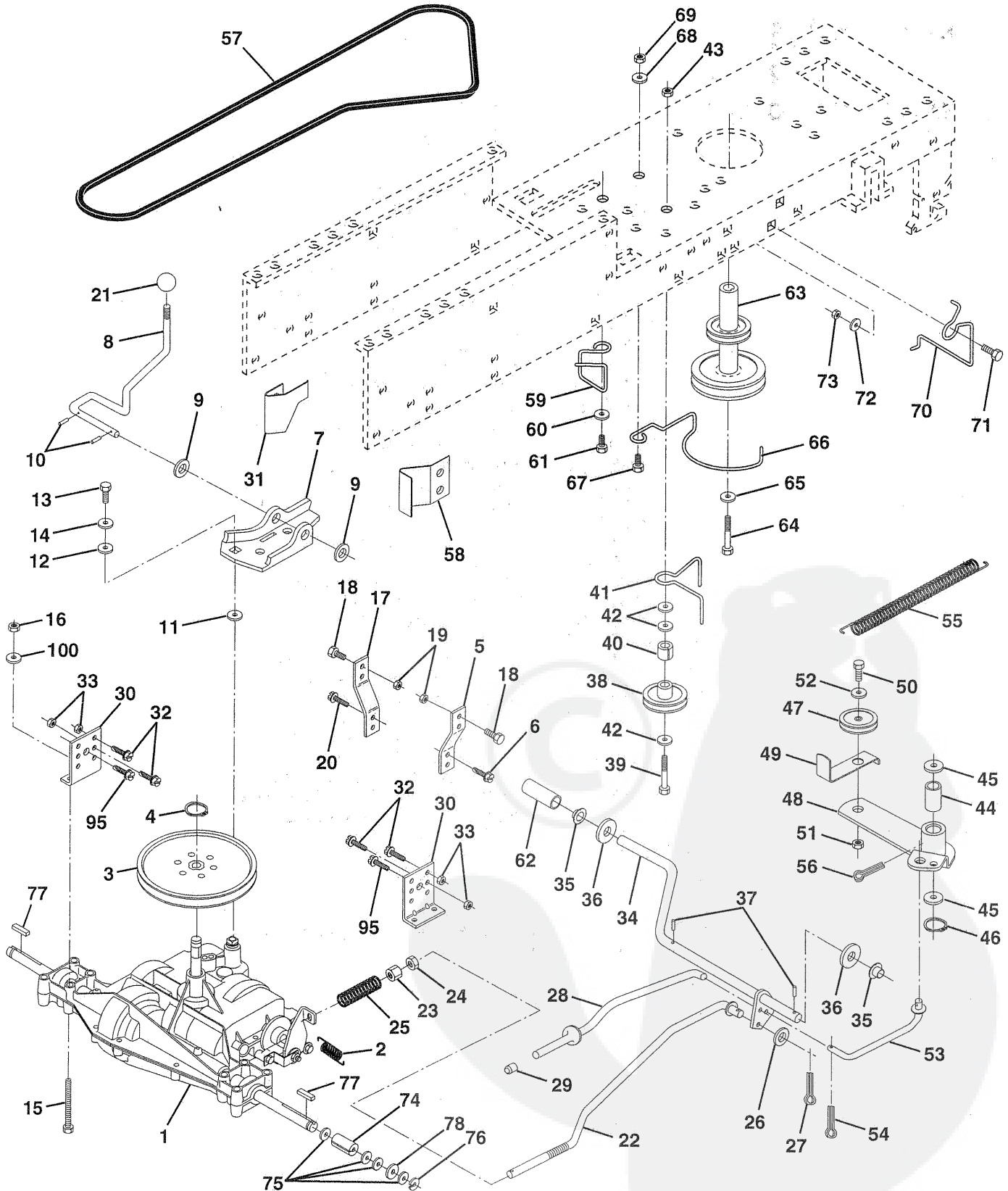
KEY NO.	PART NO.	DESCRIPTION
1	140341	Chassis Wldmt 11 Ga.
2	140356	Drawbar Stretch
3	17490612	Screw Thdrol 3/8-16x3/4 Ty-tt
6	140290X016	Saddle Slkscr Flat Ss 6 sp D4360
7	17490612	Screw Thdrol 3/8-16 x 3/4
8	2751R	Clip Line Fuel 13/32 Mtg Hole
9	140637X011	Dash Slkscr 1-pc M W/i N/c Sym
10	5479J	Plug Button Blk 359 Dia Choke
11	122795X	Panel Dash LH
12	121794X	Cover Access Black Square
13	124031X	Panel Dash RH Wld Notch
14	17490608	Screw Thdrol 3/8-16x1/2 Ty-tt
15	74180512	Screw Mach TRHD 5/16-18uncx 3/4
16	73510500	Nut Keps 5/16-18 Unc
17	133956X505	Hood/grille Asm Welded
18	126938X	Bumper Hood
19	133805	Lens Grille HI Bar Clear LT
20	132257	Bezel Light
21	19091216	Washer 9/32 X 3/4 X 16 Ga.
22	108067X	Nut Pal
24	74760612	Bolt Fin Hex 3/8-16unc X3/4"
25	19131312	Washer 13/32 X 13/16 X 12 Ga
26	73680600	Nut Crownlock 3/8-16 Unc
30	109872X505	Fender Pnt LT
31	136619	Bracket Fender Repl 109873x
32	17490612	Screw Thdrol 3/8-16x3/4 Ty-tt
33	105476X505	Footrest Pnt LH Ms-505
34	105475X505	Footrest Pnt RH Ms-505
35	72110606	Bolt Rdhd Sht Sqnk 3/8-16 X3/4
36	73680600	Nut Crownlock 3/8-16 Unc
38	139886	Bracket Asm Pvt42 LH MWR Rear
39	139887	Bracket Asm Pvt42 RH MWR Rear
51	19131216	Washer 13/32 X 3/4 X 16 Ga
53	72140608	Bolt Rdhd Sqnk 3/8 - 16 x 1
54	74760614	Bolt Hex 3/8 - 16 X 7/8
58	11050600	Washer Lock Ext.

**NOTE:** All component dimensions are given in U.S. inches 1 inch = 25.4 mm.

# REPAIR PARTS

## 12.5 HP 42" TRACTOR - - MODEL NUMBER 2H4B3B

### DRIVE





# REPAIR PARTS

## 12.5 HP 42" TRACTOR - - MODEL NUMBER 2H4B3B

### DRIVE

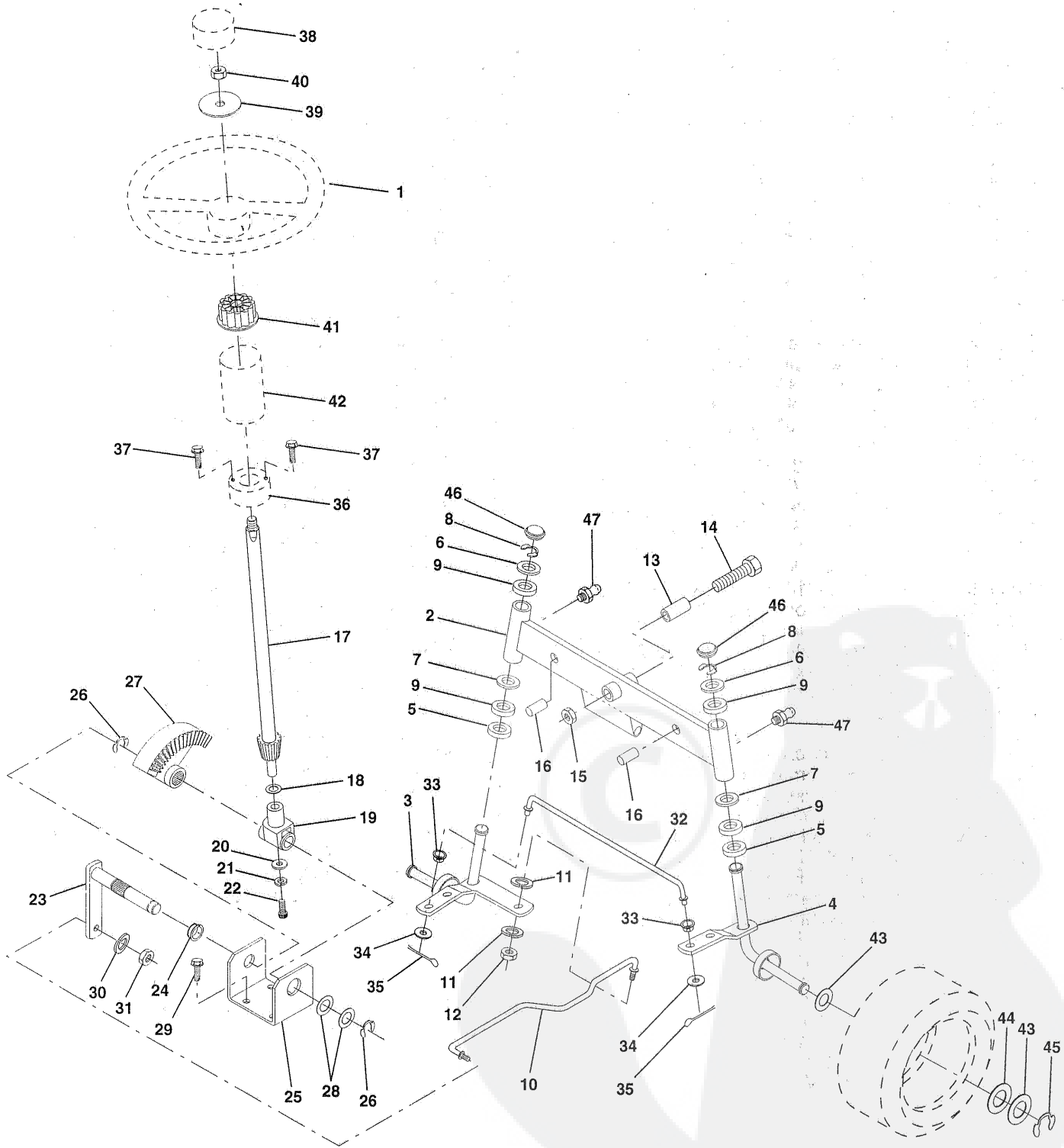
KEY NO.	PART NO.	DESCRIPTION	KEY NO.	PART NO.	DESCRIPTION
1	142603	Transaxle, 6 speed, Dana D4360-79	40	4470J	Spacer Split
2	110422X	Spring brake Return	41	109070X	Keeper Belt
3	123666X	Pulley, Transaxle	42	19131312	Washer 13/32 x 13/16 x 12 Ga.
4	12000028	Ring Retainer	43	73800600	Nut Lock Hex w/wsh 3/8-16 Unc
5	121520X	Strap Torque 30°	44	105706X	Bearing Nylon
6	17490512	Screw Thdrol 5/16-18 x 3/4 TYT	45	110812X	Washer Hardened
7	130802	Bracket Saddle Shift T/a	46	12000039	Ring Klip #t5304-50
8	139997	Rod Shifter	47	127783	Pulley Idler V-groove Plastic
9	19151216	Washer 15/32 x 3/4 x 16 Ga.	48	123789X	Bellcrank Asm Clutch
10	76020416	Pin Cotter 1/8 x 1	49	123205X	Retainer Belt Style Spring
11	105701X	Washer Plate shf 388 Sq Hole	50	74760624	Bolt Hex 3/8-16 unc x 1-1/2
12	19151216	Washer 15/32 x 3/4 x 16 Ga.	51	73680600	Nut Crownlock 3/8-16 Unc
13	71040412	Bolt Hex 1/4-28 unf x 3/4 Gr. 8	52	19131316	Washer 13/32 x 13/16 x 16 Ga.
14	10040400	Washer Lock Hvy Helical 1/4	53	105710X	Link Clutch
15	74780544	Bolt Hex 5/16 - 18 x 2-3/4	54	76020412	Pin Cotter
16	73680500	Nut Crownlock 5/16 - 18	55	105709X	Spring Return Clutch
17	121520X	Strap Torque 30°	56	76020412	Pin Cotter
18	74780616	Bolt Hex 3/8-16unc x 1	57	130801	V-Belt Ground Drive 95 25
19	73800600	Nt Lock Hex w/wsh 3/8 - 16 UNC	58	127274X	Keeper Belt(RH)
20	17490512	Screw Thdrol 5/16-18 x 3/4 TYT	59	140312	Keeper Belt Chassis
21	106933X	Knob	60	19131312	Washer 13/32 X 13/16 X 12 Ga.
22	130804	Rod Brake	61	17490612	Screw Thdrol 3/8-16x3/4 Ty-tt
23	73800600	Nut Lock Hex W/washer 3/8-16 unc	62	8883R	Cover Pedal
24	73350600	Nut Hex Jam H 3/8-16 Unc	63	140186	Pulley Engine
25	106888X	Spring, Brake Rod	64	71170764	Bolt Hex 7/16-20 x 4 Gr. 5
26	19131316	Washer 13/32 x 13/16 x 16 Ga.	65	10040700	Washer Lock Hvy, Helical Spr 7/16
27	76020412	Pin Cotter 1/8 x 3/4	66	129921	Keeper Belt (LH)
28	140448	Rod Brake Parking	67	74760616	Bolt Hex 3/8-16 unc x 1
29	71673	Cap Brake Parking Black	68	19131312	Washer 13/32 X 13/16 X 12 Ga.
30	130807	Bracket Transmission	69	73680600	Nut Crownlock 3/8-16 Unc
31	127275X	Keeper Belt LH LT 14 Ga.	70	134683	Guide Belt Mower Drive RH
32	74760512	Bolt Hex 5/16 - 18 x 2-1/2	71	74760616	Bolt Hex 3/8-16 unc x 1
33	73800500	Nut Lock Hex w/lns 5/16 - 18 UNC	72	19132012	Washer 13/32 X 1-1/4 X 12 Ga.
34	122424X	Shaft Asm Pedal Foot	73	73680600	Nut Crownlock 3/8-16 Unc
35	120183X	Bearing Nylon Blk 629 AD	74	109502X	Spacer Split
36	19211616	Washer 21/32 x 1 x 16 Ga.	75	121749X	Washer 25/32 X 1 1/4 X 16 Ga.
37	1572H	Pin Roll 3/16 x 1"	76	12000001	E-ring
38	123674X	Pulley Idler Flat	77	123583X	Key Square
39	74760644	Bolt Hex 3/8-16 unc x 2-3/4	78	121748X	Washer 25/32 X 1-5/8 X 16 Ga.
			95	17490612	Screw Thdrol 3/8 - 16 x 3/4
			100	19111216	Washer 11/32 x 3/4 x 16 Ga

**NOTE:** All component dimensions give in U.S. inches.  
1 inch = 25.4 mm.

# REPAIR PARTS

12.5 HP 42" TRACTOR -- MODEL NUMBER 2H4B3B

## STEERING ASSEMBLY





# REPAIR PARTS

## 12.5 HP 42" TRACTOR -- MODEL NUMBER 2H4B3B

### STEERING ASSEMBLY

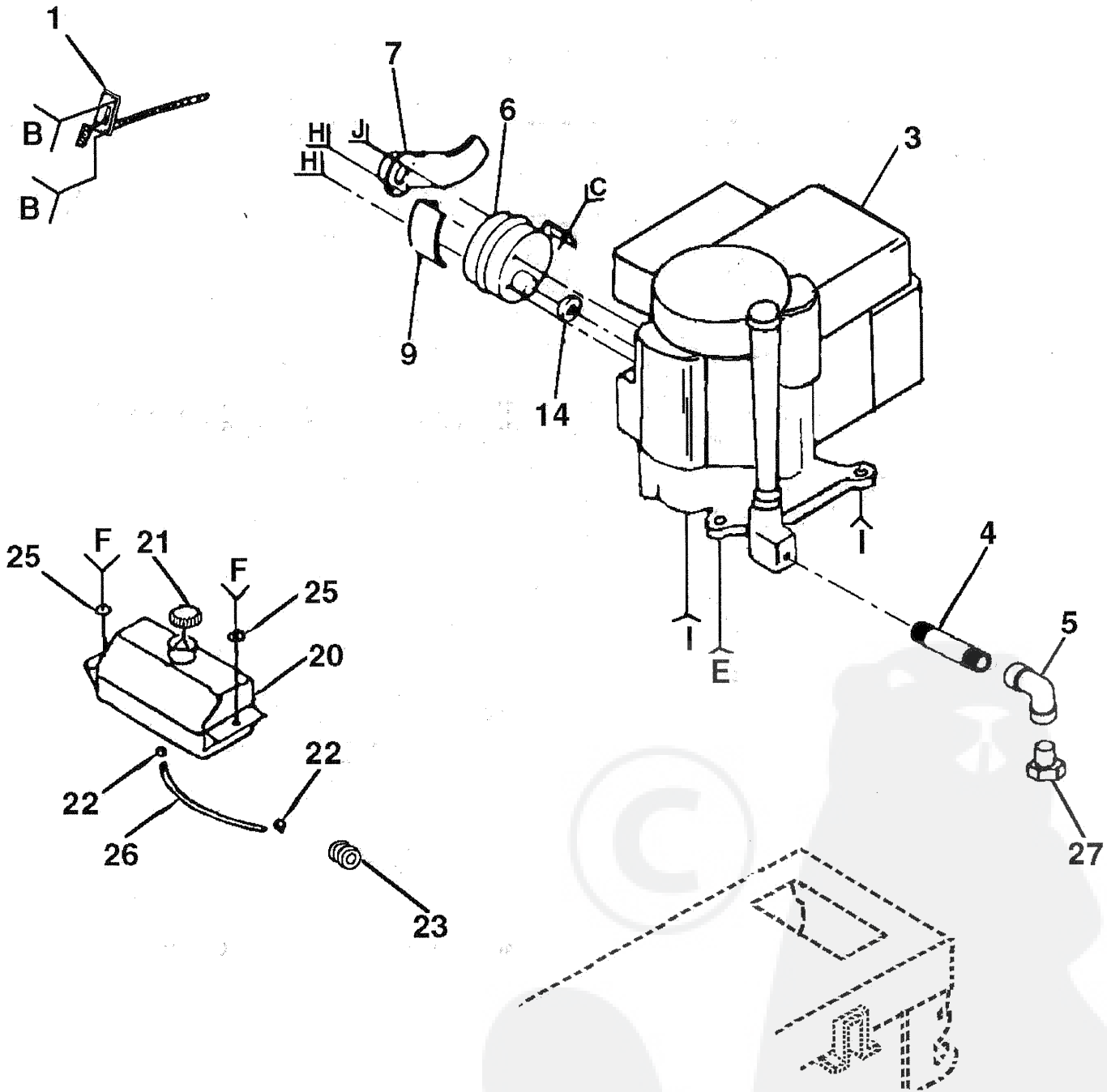
KEY NO.	PART NO.	DESCRIPTION
1	133741	Wheel Steering Ayp/kelch Blk
2	142033	Axle Asm Fr LT W/gzks 38/42
3	135227	Spindle Asm LH
4	135228	Spindle Asm RH
5	6266H	Bearing Race Thrust Harden
6	121748X	Washer 25/32 X 1-5/8 X 16 Ga
7	19272016	Washer 27/32 X 1-1/4 X 16 Ga
8	12000029	Ring Klip #t5304-75
9	3366R	Bearing Col Strg Blk
10	130468	Link Drag Sol Ball Jt 20 064
11	10040600	Washer Lock Hvy Hlcl Spr 3/8
12	73610600	Nut Fin Hex 3/8-24 Unf
13	110438X	Spacer Bearing Axle Front
14	74011056	Bolt Hex 5/8-11 Unc X 3-1/2
15	73901000	Nut Lock Flange 5/8-11 Unc
16	132624	Pin Axle 5/8 X 1 55/1 54 Lg
17	132614	Shaft Asm Strg 5/8 X 15 19 LT
18	57079	Washer Thrust 515x 750x 033
19	124035X	Support Shaft
20	126684X	Washer Shim 1/4 X 5/8 X 062
21	10040400	Washer Lock Hvy Helical 1/4
22	71070410	Screw Hex Socket 1/4-20 X 5/8
23	127501	Shaft Asm Pittman
24	109816X	Nyliner Snap In
25	124036X	Bracket Steering
26	12000029	Ring Klip #t5304-75
27	136874	Gear Sector
28	6266H	Bearing Race Thrust Harden
29	17490612	Screw Thdrol 3/8-16x3/4 Ty-tt
30	10040600	Washer Lock Hvy Hlcl Spr 3/8
31	73610600	Nut Fin Hex 3/8-24 Unf
32	130465	Rod Tie Wire Form 19 75 Mech
33	126847X	Bushing Link Drag Blk LR
34	19131416	Washer 13/32 X 7/8 X 16 Ga
35	76020412	Pin Cotter 1/8 X 3/4 Cad
36	132196	Bushing Strg 5/8 Id Dash
37	17431008	Screw Slftp #10-16 X 1/2 Ty-b
38	133742	Cap Wheel Steer Ayp/kelch Blk
39	19133808	Washer 13/32 X 2-3/8 X 8 Ga
40	7810H	Nut Lock Center 3/8-24unf
41	104820X	Adaptor Wheel Strg 640/ 635id
42	124418X	Boot Steering Shaft
43	121749X	Washer 25/32 X 1 1/4 X 16 Ga
44	121748X	Washer 25/32 X 1-5/8 X 16 Ga
45	12000029	Ring Klip #t5304-75
46	121232X	Cap Spindle Fr Top Blk
47	6855M	Fitting Grease

**NOTE:** All component dimensions given in U.S. inches.  
1 inch = 25.4 mm.

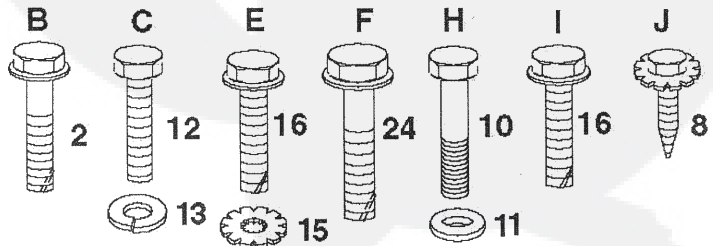
# REPAIR PARTS

12.5 HP 42" TRACTOR -- MODEL NUMBER 2H4B3B

ENGINE



**OPTIONAL EQUIPMENT**  
**Spark Arrester**



# REPAIR PARTS

## 12.5 HP 42" TRACTOR - - MODEL NUMBER 2H4B3B

### ENGINE

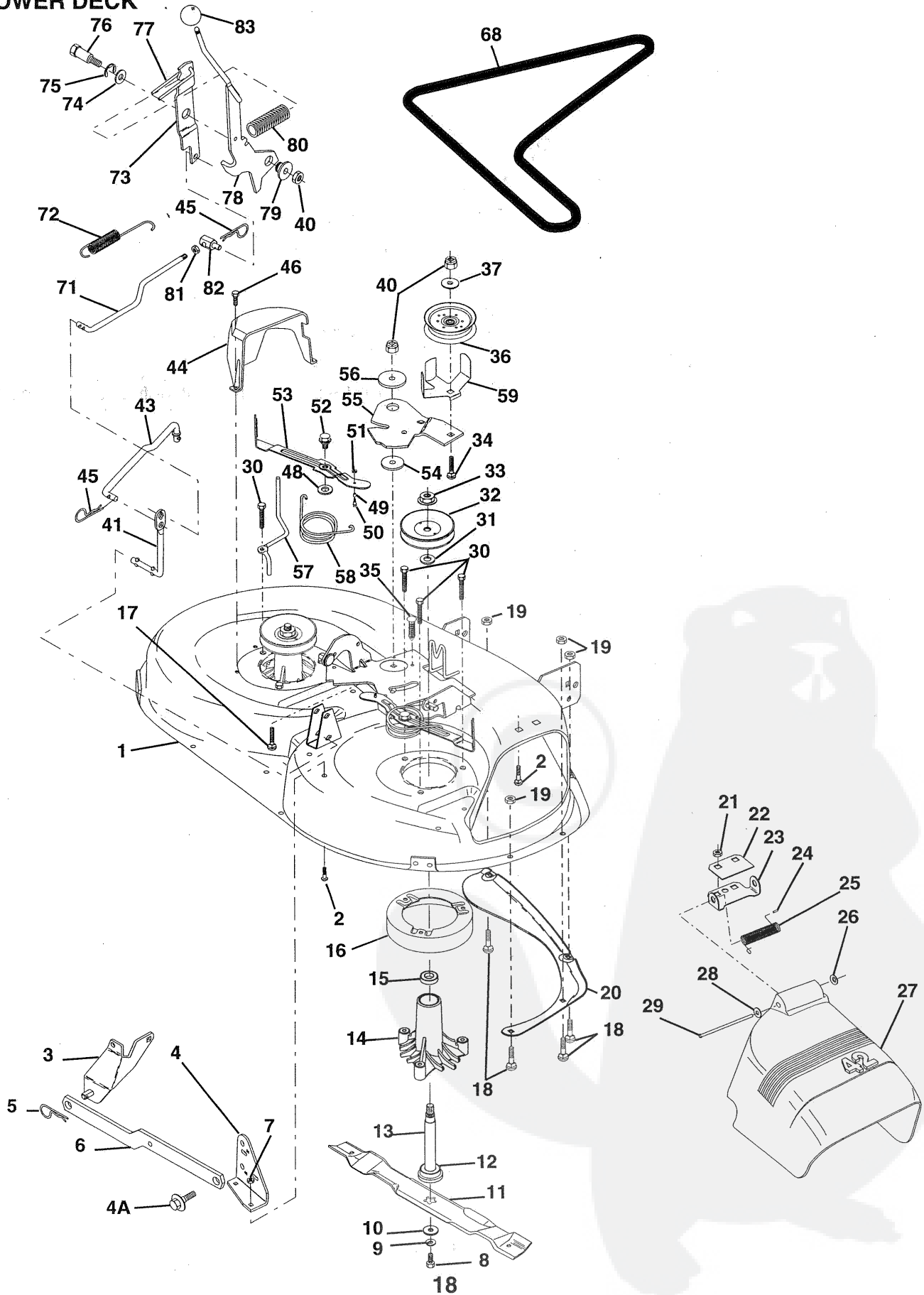
KEY NO.	PART NO.	DESCRIPTION
1	132771	Control Th/ch RH Blk Tee 15 10
2	17720410	Screw Hex Thd Cut 1/4-20x5/8 T
3	-----	Engine B&S 12.5 HP IC Dual 1V Model No. 289707
4	13280324	Nipple Pipe 3/8 Npt X 3"
5	13200300	Elbow Std 90 Degree 3/8-18 Npt
6	101273M	Muffler Exhaust B&S Lc
7	108767X	Deflector Asm Muffler
8	17030808	Screw Spiderloc Hexhd#8x1/2 Ab
9	101159L	Shield Ht Muff 2 20 Alum Lcost
10	74780556	Bolt Fin Hex 5/16-18unc X3-3/8
11	19111012	Washer 11/32 X 5/8 X 12 Ga
12	74780408	Bolt Fin Hex 1/4-20uncx1/2 Gr5
13	10040400	Washer Lock Hvy Helical 1/4
14	125593X	Gasket Eng 1 313 Id Tin Plated
15	11050600	Washer Lock Ext Tooth 3/8
16	17490620	Screw Thdrol 3/8-16x1-1/4 TYTT
19	137180	Kit Spark Arrestor (Flat Scrn)
20	109202X	Tank Fuel Front
21	140527	Cap Asm Fuel
22	123487X	Clamp Hose
23	124028X	Bushing Snap Nyl Blk Fuel Line
24	17490412	Screw Thdrol 1/4-20 x 3/4
25	19091416	Washer 9/32 x 7/8 x 16 Ga
26	137040	Line Fuel 20"
27	-----	Oil Drain Plug (Order From Engine Manufacturer)

**NOTE:** All component dimensions given in U.S. inches.  
1 inch = 25.4 mm.

# REPAIR PARTS

12.5 HP 42" TRACTOR -- MODEL NUMBER 2H4B3B

## 42" MOWER DECK



# REPAIR PARTS

## 12.5 HP 42" TRACTOR - - MODEL NUMBER 2H4B3B

### 42" MOWER DECK

KEY NO.	PART NO.	DESCRIPTION	KEY NO.	PART NO.	DESCRIPTION
1	140081	Deck Asm Mower 42"	37	19131316	Washer 13/32 X 13/16 X 16 Ga
2	72140506	Bolt Rdhd Sqnk 5/16-18unc X3/4	40	73800600	Nut, Lock Hex w/wsh 3/8 - 16 UNC
3	138017	Bracket Asm Fr Sway Bar	41	133551	Rod Pivot W/nibs
4	138440	Bracket Asm Deck Sway Bar 42"	43	140083	Rod Clutch Secondary W/nibs
4a	132827	Bolt Shoulder 5/16 - 18	44	140088	Guard Mandrel LH Black
5	4939M	Retainer Spring	45	4497H	Spring Retainer 1" Zinc/cad
6	130832	Arm Suspension Rear	46	137729	Screw Hex Thd Cut 1/4-20x5/8 T
7	73800500	Locknut Hex W/Ins 5/16 - 18	48	133944	Washer Hardened Smaller
8	850857	Bolt 3/8-24x1 25 Gr8 Patched	49	133940	Roller Asm Cam Follower 42" dec
9	10030600	Washer Lock Hvy 3/8 Unplated	50	131340	Bolt Shldr 10-24 Zinc Gr 5 42"
10	140296	Washer Hard Blade Mower Vented	51	69180	Nut Lock #10-24 Unc
11	134149	Blade	52	139888	Bolt Shoulder 5/16-18
12	129895	Bearing Ball #6204 (Mandrel)	53	131845	Arm Asm Pad Brake
13	137645	Shaft Asm W/lower Bearing	54	133943	Washer Hardened
14	128774	Housing Mandrel Vented(machd)	55	140084	Arm Idler 42" mower LT/YT
15	110485X	Bearing Ball Mandrel	56	122052X	Spacer Retainer Pm Mower
16	136929	Stripper Mower Vented	57	140090	Keeper Belt Lh Front 42"
17	72110610	Bolt Rdhd Sqnk 3/8-16 X 1 -1/4	58	140086	spring Torsion Brakes 42"
18	72140505	Bolt Rdhd Sqnk 5/16-18 X 5/8	59	141043	Guard Tuv Idler
19	73800500	Locknut-hex W/ins 5/16-18unc P	68	140067	V-Belt Mower 42" 82 625
20	136888	Baffle Vortex 42	71	142427	Rod Clutch Primary 38/42
21	73680500	Nut Crown Lock 5/16-18	72	131870	Spring Return
22	134753	Stiffener Bracket 42" deck	73	127847	Arm Clutch Secondary
23	131267	Bracket Deflector Mower 42"	74	121748X	Washer 25/32 X 1-5/8 X 16 Ga
24	105304X	Cap Sleeve 80x 112 Blk Mower	75	12000029	Ring Klip #t5304-75
25	123713X	Spring Torsion Deflector 2 52	76	128903	Bolt Shoulder 3/8-16 Unc 1 44
26	110452X	Nut Push Phos & Oil	77	127845	Keeper Spring 4 000
27	130968	Shield Deflector Mower 42" Blk"	78	140334	Arm Asm Clutch Primary
28	19111016	Washer 11/32 X 5/8 X 16 Ga	79	127498	Bushing 747 Od X 794 Lg Brass
29	131491	Rod Hinge 42" 6 75 Wlg	80	128759	Spring Clutch Mower 2 750 Zinc
30	138776	Screw Thdrol Hex Head	81	73350600	Nut Hex Jam 3/8 - 16
31	129963	Washer Spacer Mower Vented	82	133205	Trunnion Adj 3/8 - 16 x 1.30
32	129861	Pulley Mandrel 42"	83	106932X	Knob Rd 3/8-16 Plstc Thds Blk
33	137266	Nut Flg Top Lock Cntr B 9/16	--	130794	Mandrel Asm Service
34	72110622	Bolt Rdhd 3/8-16uncx 2-3/4 Gr5	--	140475	Deck Serv 42" mech Vent Multi-Lang (Does not include Part Nos. 74-79
35	133835	Fastner Christmas Tree			
36	131494	Pulley Idler Flat 3 060			

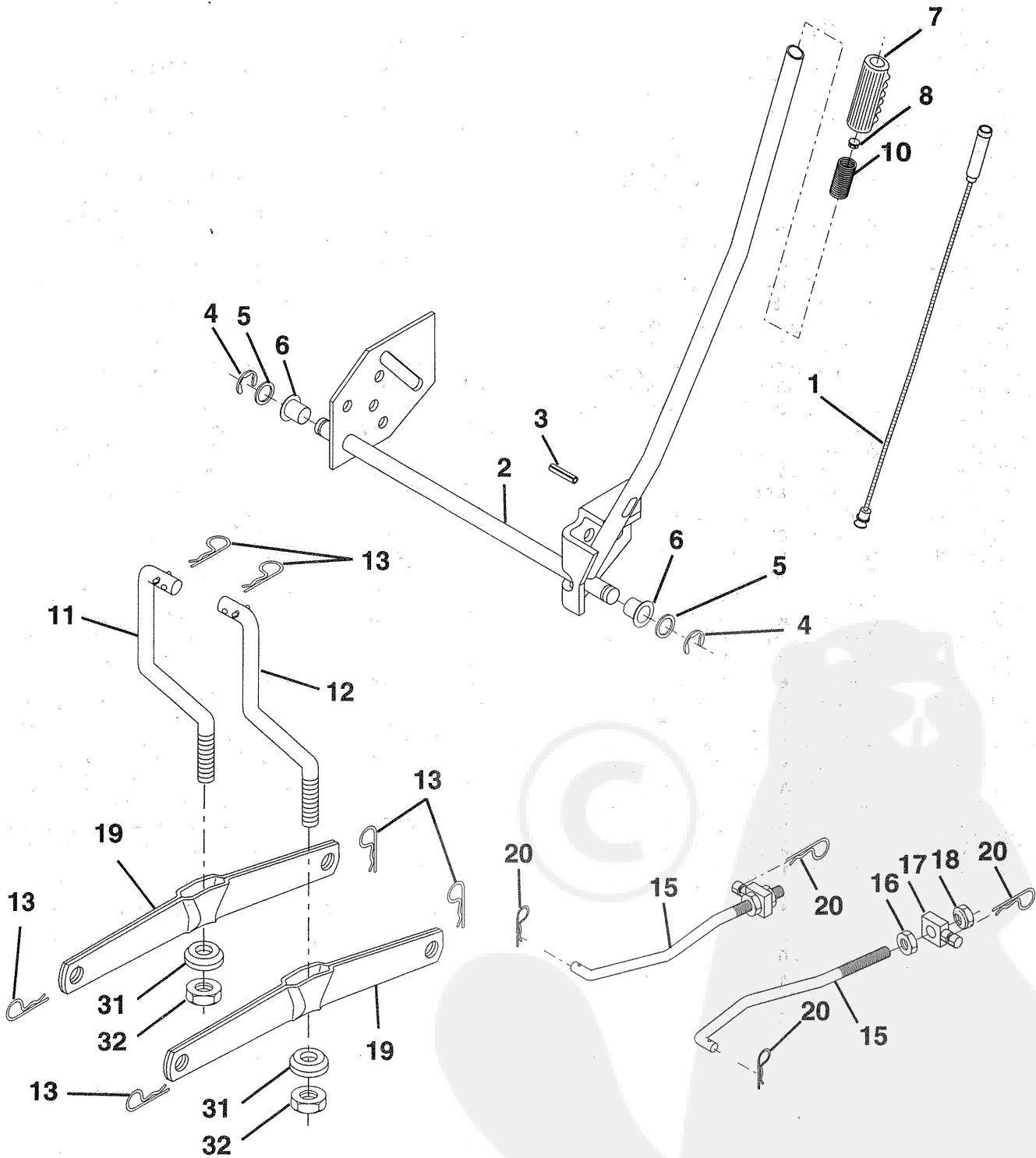
**NOTE:** All component dimensions given in U.S. inches  
1 inch = 25.4 mm



# REPAIR PARTS

12.5 HP 42" TRACTOR - - MODEL NUMBER 2H4B3B

LIFT



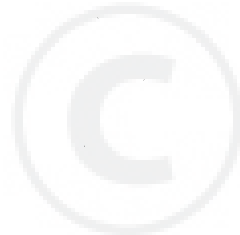
# REPAIR PARTS

## 12.5 HP 42" TRACTOR - - MODEL NUMBER 2H4B3B

### LIFT

KEY NO.	PART NO.	DESCRIPTION
1	136973	Wire Asm Inner w/plunger
2	122507X	Shaft Asm Lift 9 680
3	105767X	Pin Groove 1 500 Zinc
4	12000002	E Ring #5133-62
5	19211621	Washer PLTD 21/32 X 1 X 21ga
6	120183X	Bearing Nylon Blk 629 Id
7	109413X	Grip Handle Bicycle Matte Blk
8	124526X	Button Plunger Black
10	122512X	Spring Cprsn 3 750 Oiled
11	139865	Link Lift LH Fixed Length
12	139866	Link Lift RH Fixed Length
13	4939M	Retainer Spring
15	127218	Link Front
16	73350800	Nut Jam Hex 1/2-13 Unc
17	130171	Trunnion Blk Zinc
18	73800800	Nut Lock W/wsh 1/2-13unc
19	139868	Arm Suspension Rear
20	3146R	Retainer Spring
31	140302	Bearing Pvt Lift Spherical
32	142861	Nut Hex Insert Nylon w/Hi Temp
33	7810H	Nut Lock Center 3/8 - 24 Unf

**NOTE:** All component dimensions given in U.S. inches  
1 inch = 25.4 mm

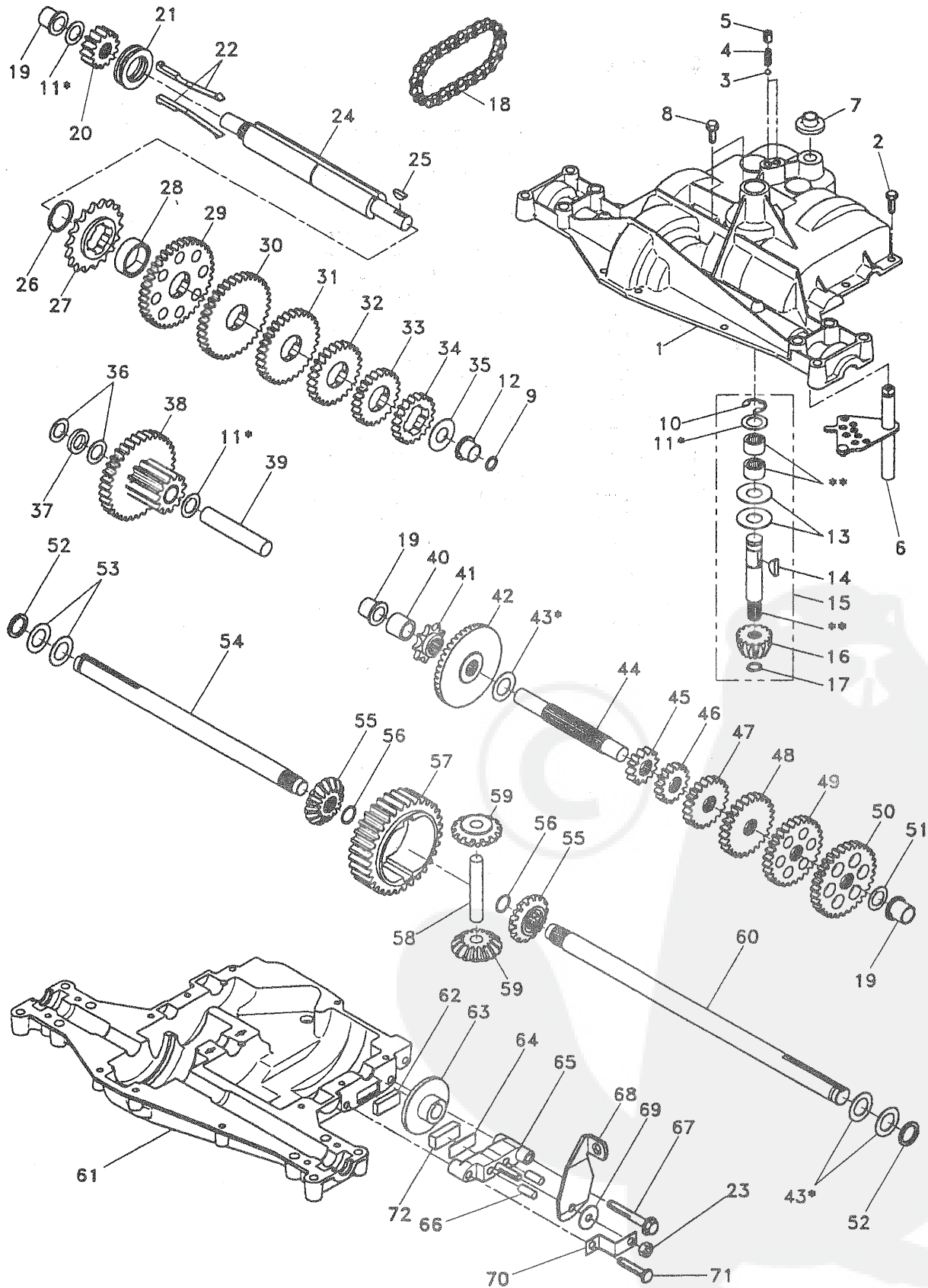


# REPAIR PARTS

12.5 HP 42" TRACTOR -- MODEL NUMBER 2H4B3B

TRANSAXLE DANA - MODEL NUMBER 4360-79

## TRANSAXLE



# REPAIR PARTS

12.5 HP 42" TRACTOR - - MODEL NUMBER 2H4B3B

TRANSAXLE DANA - MODEL NUMBER 4360-79

## TRANSAXLE

KEY PART NO. NO.	DESCRIPTION	KEY PART NO. NO.	DESCRIPTION
1 142671	Housing, Upper	41 105928X	Sprocket, 9 Teeth
2 2274J	Screw, Self-Tapping, Large 1/4-20 x .734	42 110084X	Gear, Bevel, 42 Teeth
3 134400	Ball, Detent	43 134394	* Assembly, Kit, Shim .750 Shaft
4 105904X	Spring, Detent	44 120473X	Shaft, Drive
5 105905X	Screw, Set	45 142678	Gear, Spur, 12 Teeth
6 138235	Kit, Shifter Assembly	46 142679	Gear, Spur, 15 Teeth
7 134399	Boot, Shifter	47 120407X	Gear, Spur, 20 Teeth
8 134791	Screw, Tapping w/Sealer	48 106589X	Gear, Spur, 25 Teeth
9 138241	Square Ring	49 120408X	Gear, Spur, 28 Teeth
10 142672	Ring, Retaining	50 105937X	Gear, Spur, 31 Teeth
11 134793	* Assembly, Kit, Shim .625 Shaft	51 2226J	Washer, Plain .632 x 1.00 x .060
12 142673	Bearing, Flange	52 134401	Washer, Neoprene
13 120415X	Washer, Plain .632 x 1.38 x .046	53 2264J	Washer, Plain .758 x 1.25 x .031
14 142674	Key, Woodruff, #9	54 120474X	Axle, L.H.
15 138234	Assembly, Kit, Input Shaft	55 110081X	Gear, Miter, 15 Teeth
16 110078X	Pinion, Bevel, 14 Teeth	56 105941X	Ring, Retaining
17 105909X	Ring, Retaining	57 110071X	Gear, Spur, 32 Teeth
18 105910X	Chain, 24 Pitches	58 120952X	Shaft, Cross
19 105911X	Bearing, Flange	59 110082X	Gear, Miter, 15 Teeth
20 142675	Gear, Spur, 14 Teeth	60 120475X	Axle, R.H.
21 138246	Collar, Clutch	61 142680	Housing, Lower
22 138236	Assembly, Kit, Clutch Keys	62 120961X	Puck, Friction
23 73810500	Locknut 5/16-24	63 7294J	Disc, Brake
24 142676	Shaft, Intermediate	64 108989X	Spacer
25 2244J	Key, Woodruff, #61	65 120953X	Jaw, Brake
26 105916X	Ring, Retaining	66 120954X	Pin, Dowel
27 120470X	Sprocket, 18 Teeth	67 134799	Screw, Self-Tapping, Large 5/16-18 x 2.25
28 110070X	Spacer	68 138244	Lever, Actuating
29 142677	Gear, Spur, 37 Teeth	69 108996X	Washer, Plain .321 x 1.00 x .055
30 142681	Gear, Spur, 35 Teeth	70 120956X	Bracket, Anti-Rotation
31 120405X	Gear, Spur, 30 Teeth	71 106596X	Screw, Self-Tapping, Large 5/16-18 x 1.44
32 108980X	Gear, Spur, 25 Teeth	72 120951X	Puck, Friction
33 120406X	Gear, Spur, 22 Teeth	73 120416X	Grease
34 134796	Gear, Spur, 19 Teeth		
35 105925X	Washer, Plain .640 x 1.37 x .061		
36 2232J	Washer, Plain .632 x 1.00 x .026		
37 108978X	Spacer .630 x 1.00 x .169		
38 110079X	Assembly, Gear, Combination of 12 Teeth and 35 Teeth		
39 124639X	Shaft, Idler		
40 120472X	Spacer .635 x .875 x .755		

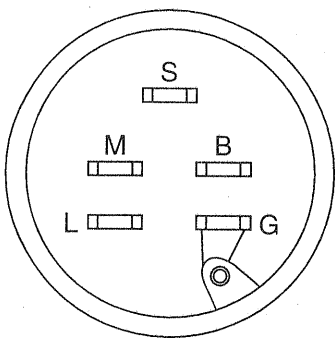
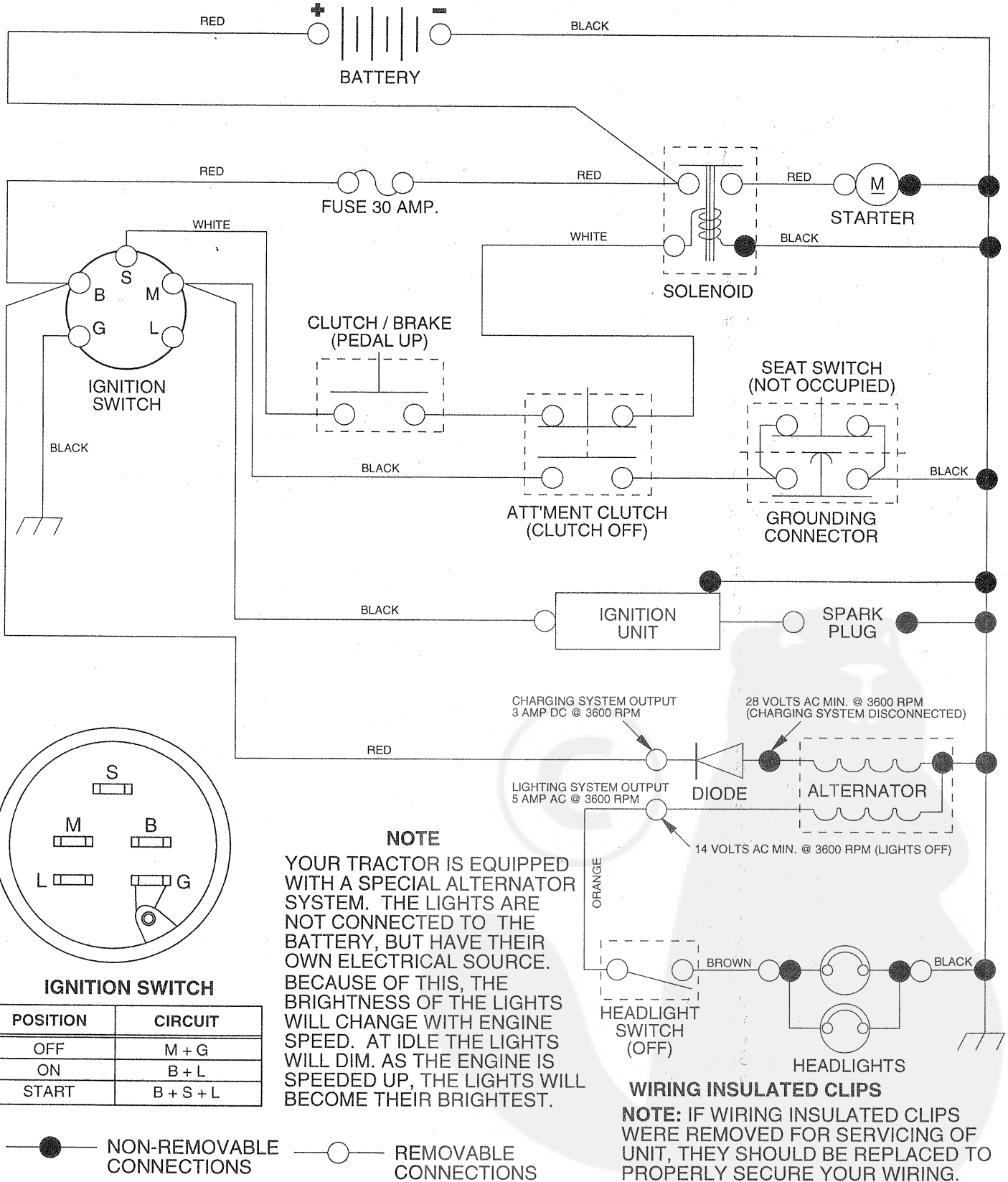
\* Use in combinations to maintain proper clearances

\*\* Order Key No. 15

**NOTE:** All component dimensions given in U.S. inches  
1 inch = 25.4 mm

# 12.5 HP 42" TRACTOR - - MODEL NUMBER 2H4B3B

## SCHEMATIC



**IGNITION SWITCH**

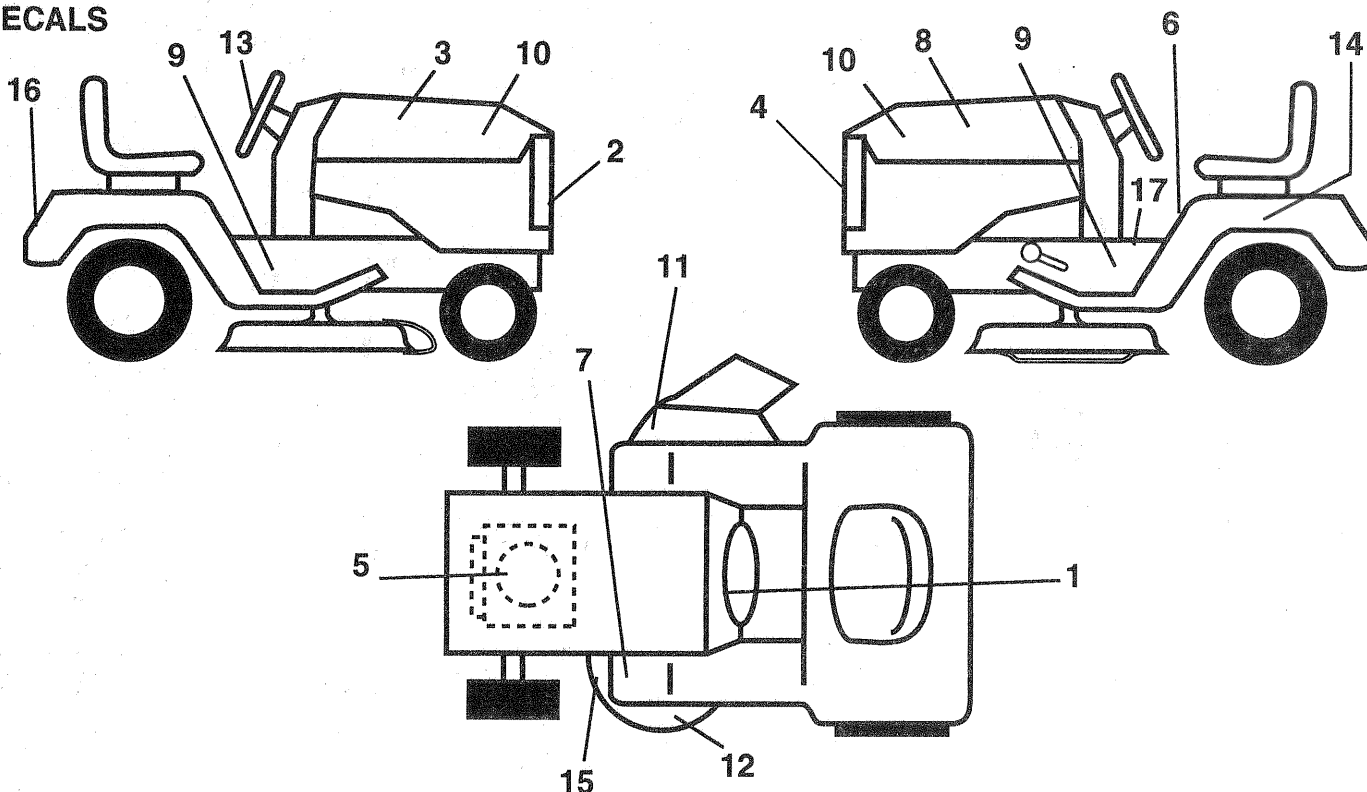
POSITION	CIRCUIT
OFF	M + G
ON	B + L
START	B + S + L



# REPAIR PARTS

## 12.5 HP 42" TRACTOR - - MODEL NUMBER 2H4B3B

### DECALS



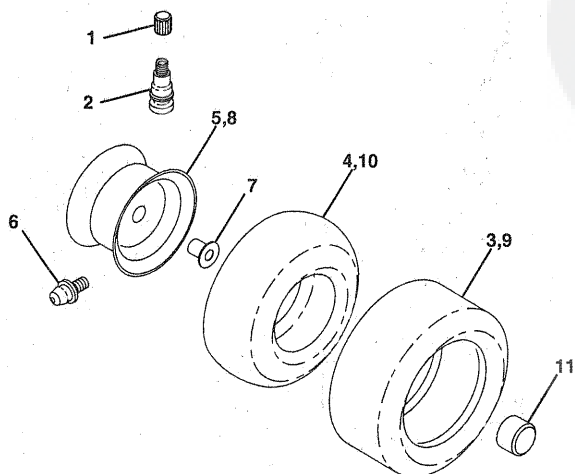
KEY NO.	PART NO.	DESCRIPTION
1	138956	Decal Instruction Dash Eng/fr
2	132627	Decal Grille Rally (Logo)
3	141745	Decal Hood RH
4	129823	Decal Stripe Grille
5	138652	Decal Engine
6	133795	Decal Caution Fender Eng/fr
7	101892X	Decal Clutch/brake Eng/fr
8	141746	Decal Hood LH
9	131425	Decal Chassis 42" 6sp
10	135866	Decal Hood
11	137259	Decal Warning MULT-LANGUAGE
12	135013	Decal Enviro Deck Yellow
13	127075	Decal Wheel Steering Rally

KEY NO.	PART NO.	DESCRIPTION
14	121549X	Decal Caution Battery Fr/ger
15	136830	Decal V-Belt Sch
16	132628	Decal Fender Rally
17	140837	Decal Brake Parking Saddle
--	138311	Decal Handle LFT Height Adj
--	141386	Manual Parts
--	140718	Manual Oper Gen 94 38/42" E/F

#### Available Accessories:

BD20	42" Snow Blade
C42	Grass Catcher
LC05	33' Wheel Wts.
CH12	Tire Chains
SB20	40" Snow Thrower
MP42	Mulch Plate

### WHEELS & TIRES



KEY NO.	PART NO.	DESCRIPTION
1	59192	Cap Valve Tire
2	65139	Stem Valve
3	106222X	Tire F Ts 15 X 6 0 - 6 Service
4	59904	Tube Front (Service Item Only)
5	106732X427	Rim Asm 6" (front White Service)
6	278H	Fitting Grease (Front Wheel Only)
7	9040H	Bearing Flange (Front Wheel Only)
8	106108X427	Rim Asm 8" rear White Service)
9	124635X	Tire R Ts 18x 8 5-8 C Service
10	7152J	Tube Rear (Service Item Only)
11	104757X	Cap Axle Blk 1 50 X 1 00

**NOTE:** All component dimensions given in U.S. inches - 1 inch = 25.4 mm.