

OWNER'S MANUAL

**36 INCH GRASS CATCHER
MODEL NUMBER GC370AE**

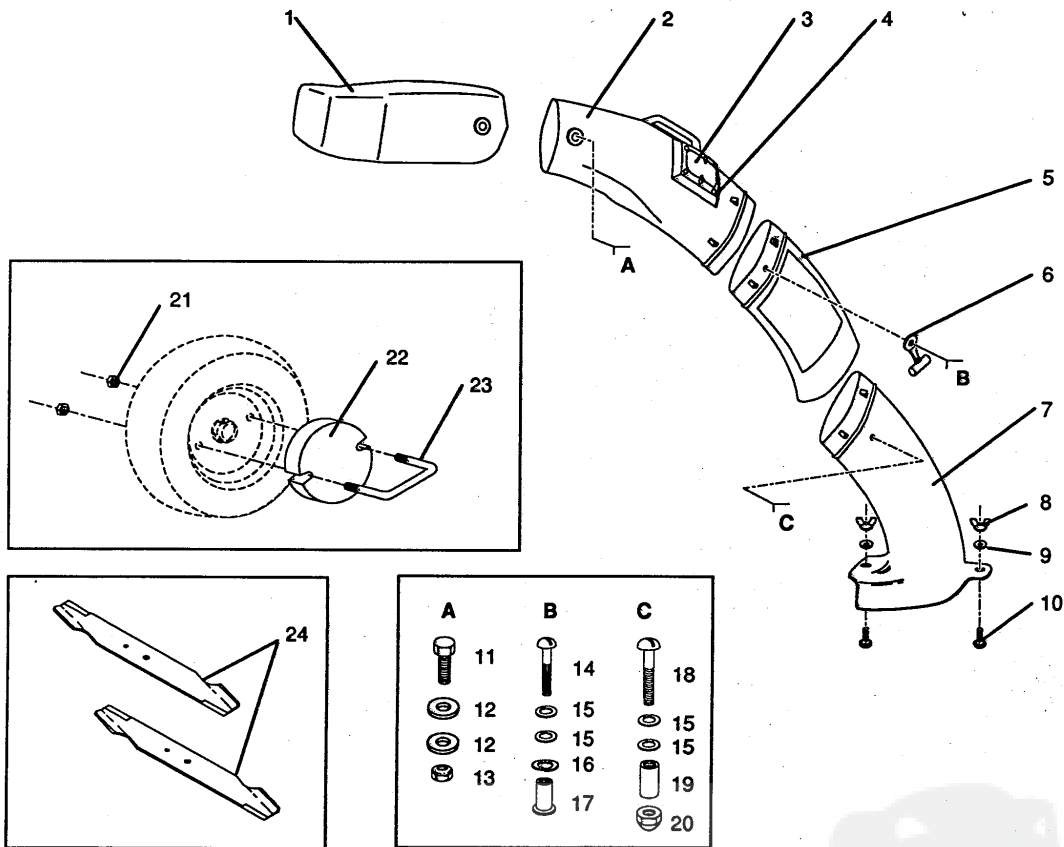


American Yard Products, Inc.

S.C. HWY. 33, AND OLD CAMERON ROAD
P.O. BOX 1687
ORANGEBURG, SC 29116

REPAIR PARTS

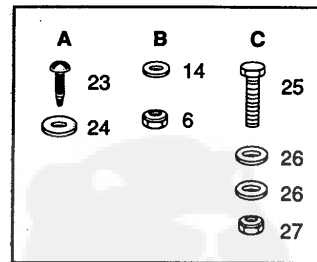
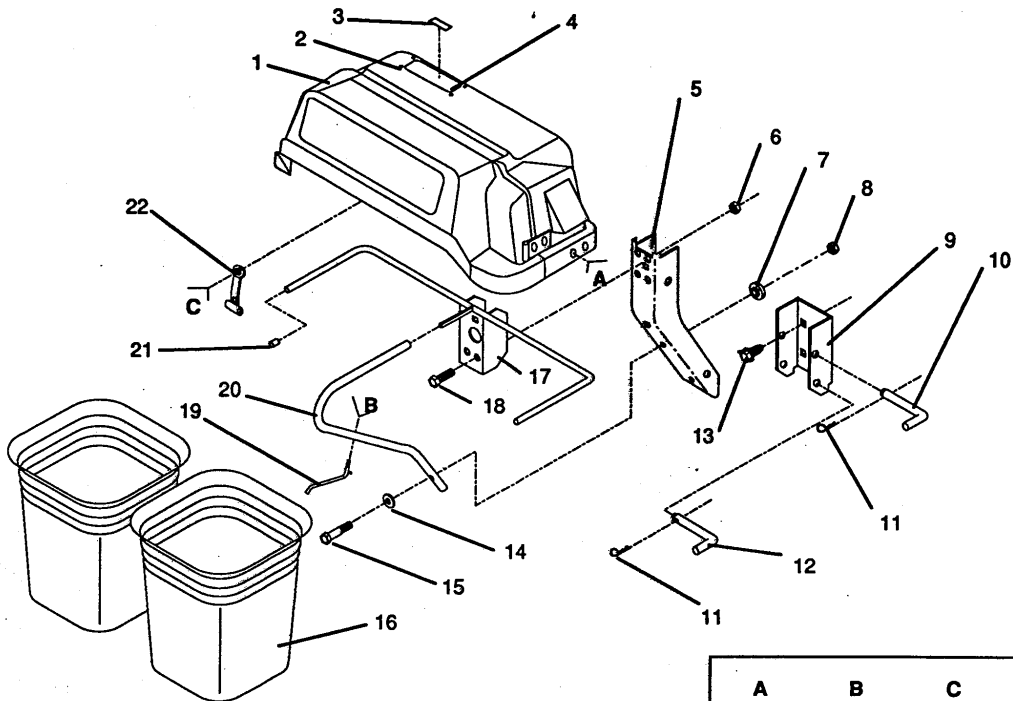
GRASS CATCHER



KEY NO.	PART NO.	DESCRIPTION	KEY NO.	PART NO.	DESCRIPTION
1	124407X	Chute, Upper	14	74291012	Screw, 10 - 24 x 3/4
2	126731X	Chute, Center	15	19061220	Washer 3/8 x 3/4 x 20 Ga.
3	126671X	Window, Chute (Include key #4)	16	10071000	Washer, Lock #10
4	122933X	Rivet, Plastic	17	2029J	Nut Weld
5	126114X	Chute, Extension	18	87175	Screw, #10 - 24 x 1-1/8
6	109808X	Latch	19	7206J	Spacer
7	123610X	Chute, Lower	20	60867	Nut, Acorn 10 - 24
8	123198X	Wing Nut, Plastic 1/4 20	21	73800600	Locknut
9	19423812	Washer, .28 x .62 x .06	22	123635X	Weight, Front Wheel
10	72110406	Bolt, Carriage 1/4 - 20 x 3/4	23	123659X	U-Bolt
11	74760412	Bolt, Hex head 1/4 - 20 x 3/4	24	126338X	Blade, Mower High Lift
12	19091216	Washer 9/32 x 3/4 x 16 Ga.	—	104419X	Bag, 3.0 mil. 30 gallon Trash
13	73680400	Locknut, 1/4 - 20	—	126237X	Owner's Manual

REPAIR PARTS

GRASS CATCHER



KEY NO.	PART NO.	DESCRIPTION	KEY NO.	PART NO.	DESCRIPTION
1	124403X	Cover, Grass Catcher	15	74760528	Bolt, 5/16 - 18 x 1-3/4
2	124124X	Rivet, Plastic	16	122522X	Container, 30 gallon
3	126334X	Decal Warning	17	124404X	Support, Container Assembly
4	126670X	Window, Cover, Replacement Kit (includes Key #2)	18	74760512	Bolt, 5/16 - 18 x 3/4
5	124406X	Post, Support	19	123252X	Rod, Latch
6	73680500	Locknut, 5/8-18	20	124410X	Support, Center, Container
7	124397X	Bushing, Support Post	21	123284X	Plug, Tubing end
8	73680500	Locknut, 5/16 - 18	22	109808X	Latch
9	125505X	Bracket, Mounting	23	17871008	Screw, Hex THD Rolling 10 - 24 1/2
10	124475X	Pin, Support Post	24	19061216	Washer 3/16 x 3/4 x 16 GA
11	4939M	Spring, Retainer	25	74760412	Bolt, Hex head 1/4 - 20 x 3/4
12	120097X	Pin, Support Post	26	19091016	Washer, .28 x .62 x .06
13	17490508	Bolt, 5/16 - 18 x 1/2 THD Rolling	27	73680400	Locknut, 1/4 - 20
14	19111212	Washer, 11/32 x 3/4 x 12 Ga.			