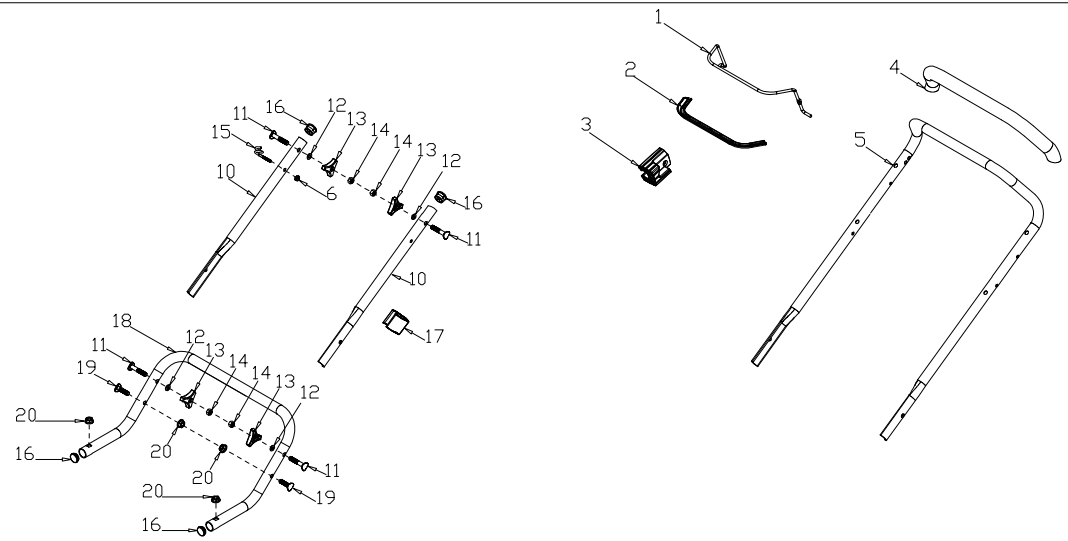
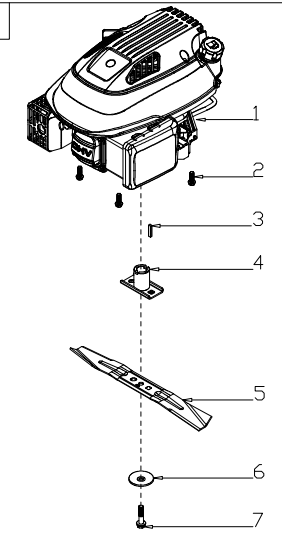


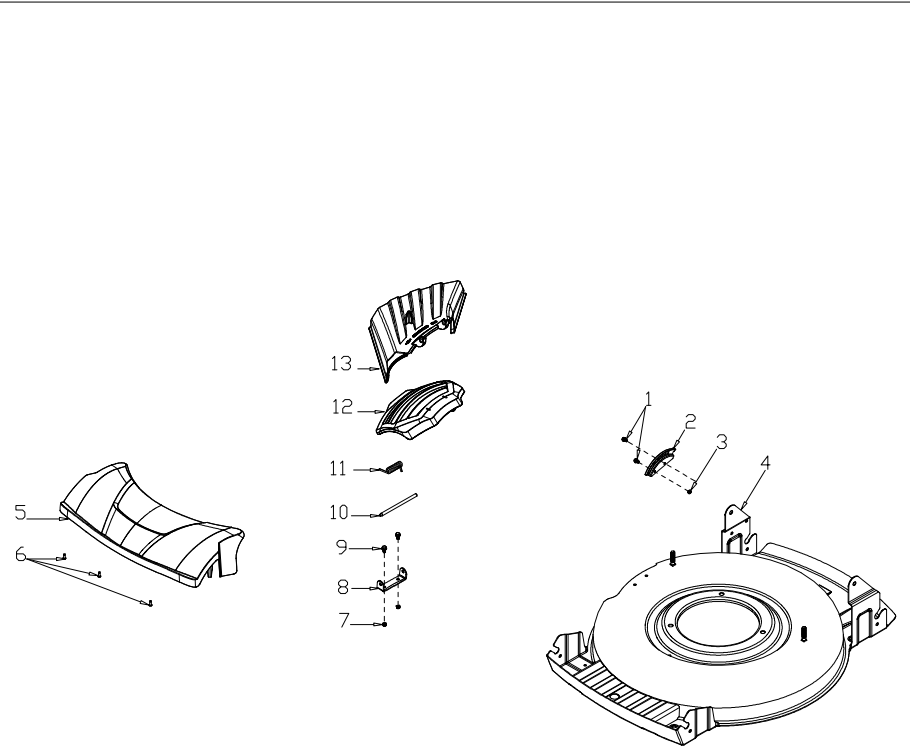
A



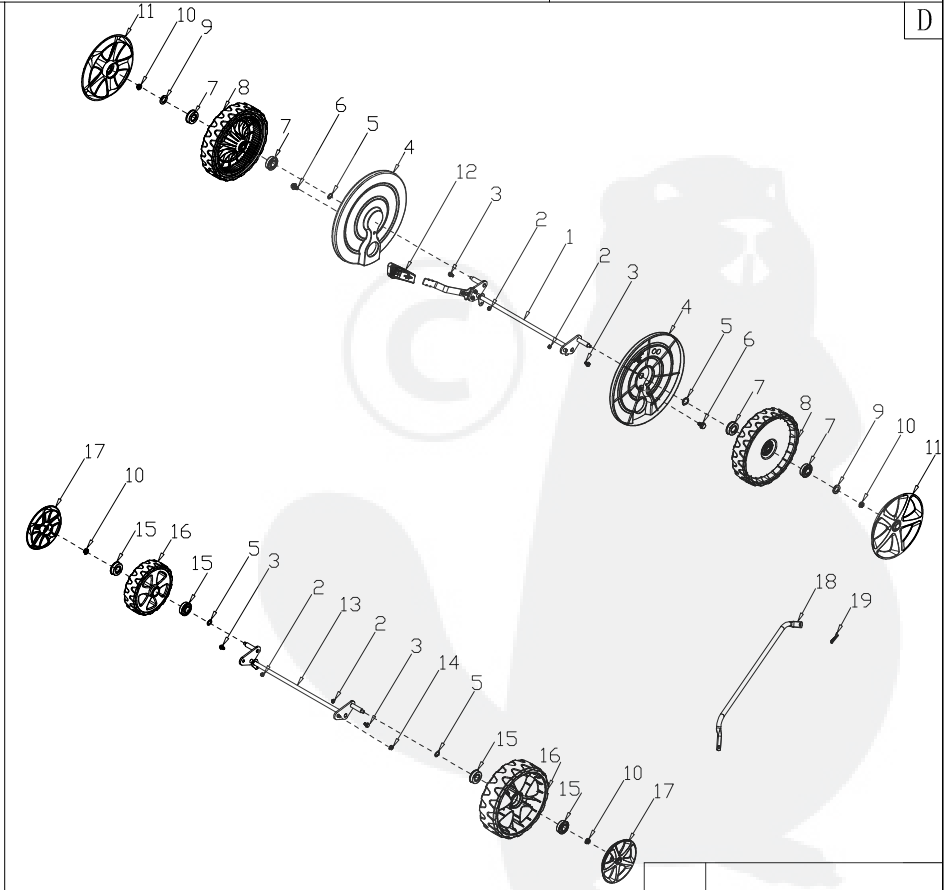
B



C



D

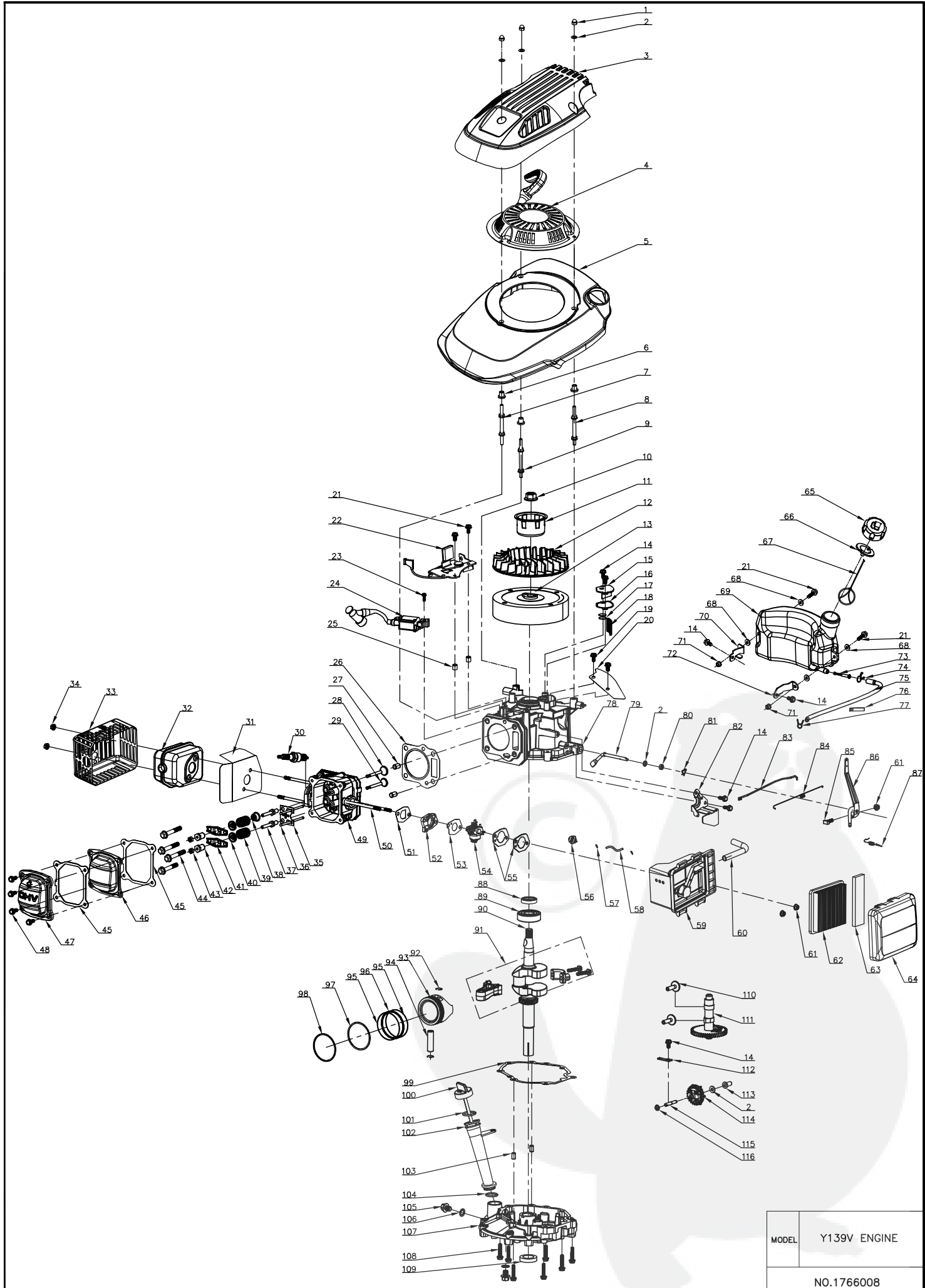


MODEL	GL51YHL-B
NO.1766008	

Pos no.	Part No.	Description
A	Part A	
A-1	G3354000056	Brake Lever
A-2	G33Q0000119	Plastic Decoration
A-3	G3XW0000000	Limiting Stopper
A-4	G3320000000	Foam Pipe
A-5	G333F200056	Upper Handle
A-6	B2011B00000	Nut
A-7	G339X300000	Cable Fixing Clamp
A-8	G339XX60000	Brake Cable
A-9	B1066B06032	Bolt
A-10	G83BX000056	Middle Handle
A-11	B1088W08050	Bolt
A-12	B5019W00000	Flat Washer
A-13	G33C1100073	Knob
A-14	B2020W00000	Nut
A-15	G33K0000000	Rope Guide
A-16	G33J0000000	Handle Plug
A-17	G33H2000000	Cable Support
A-18	G83B1000056	Under Handle
A-19	B1087W08032	Bolt
A-20	B2017W00000	Nut
B	Part B	
B-1	Y2PS5000056	Engine
B-2	B1077W08025	Bolt
B-3	BE004W00000	Flat Key
B-4	G8530000000	Blade adapter
B-5	G8510000000	20" Blade
B-6	G3520000000	Blade Washer
B-7	B1001B00032	Blade Bolt
C	Part C	
C-1	B1057W06010	Bolt
C-2	G84BC000100	Height Adjustment Plate
C-3	B2008W00000	Nut M8
C-4	G8213000056	Deck
C-5	G8240000060	Front Plastic Face
C-6	B3023W00000	Screw
C-8	G3250000000	Side Discharge Bracket
C-9	B1052W05010	Bolt
C-10	G5260000000	Side Discharge Cover Shaft
C-11	G8270000000	Side Discharge Cover Spring
C-12	G8280000000	Side Discharge Cover
C-13	G8290000000	Side-Discharge Guiding Board
D	Part D	
D-1	G8490000100	Rear Wheel Shaft Assy
D-2	B2008W00000	Nut M8
D-3	B1058W06012	Bolt
D-4	G34AC000000	Inner Wheel Cover

Pos no.	Part No.	Description
D-5	B6009B00000	Spring Washer
D-6	B1057W06010	Bolt
D-7	B0014W00000	Ball Bearing
D-8	G34L0000000	10" Wheel
D-9	B5031W00000	Flat Washer
D-10	B2017W00000	Nut
D-11	G34V0000019	10" Wheel Cover
D-12	G3431000019	Height Adjustment Handle
D-13	G8450000000	Front Wheel Shaft
D-14	B2016W00000	Nut
D-15	B0019W00000	Bearing
D-16	G24F0000000	7" Wheel
D-17	G24R1000019	7" Wheel Cover
D-18	G8410000100	Height Adjustment Connecting Rod
D-19	BB004W00000	Split Pin





MODEL	Y139V ENGINE
NO.1766008	

Pos No	Part No.	Description	Qty
1	B2002B00000	Nut M6	3
2	B5027B00000	"O" Ring $\phi 6.5 \times \phi 15 \times 0.5$	4
3	Y2A10000056	Engine Cover	1
4	Y2A20000000	Recoil Start Assy	1
5	Y2A30000000	Blower Housing	1
6	Y2A40000000	Bush	3
7	Y2A70000000	Bolt I	1
8	Y2A80000000	Bolt II	1
9	Y2A90000000	Bolt III	1
10	B2015W00000	Nut M14*1.5	1
11	Y2A50000000	Start-up Hub	1
12	Y2A60000000	Fan	1
13	Y2B10000000	Flywheel	1
14	B1058W06012	Bolt M6*12	7
15	Y2250000000	Respirator Cover Plate	1
16	Y2240000000	Gasket of Respirator Cover	1
17	Y2230000000	Valve Element	2
18	Y2220000000	Lubricate Filtering Net	1
19	B1057W06010	Bolt M6*10	2
20	Y2AA00000000	Back plate	1
21	B1063W06022	Bolt M6*22	4
22	Y2710000100	Brake Assy	1
23	B1064W06025	Bolt M6*25	1
24	Y2B20000000	Ignition	1
25	Y27X00000000	Bush	2
26	Y2120000000	Gasket of Cylinder Head	1
27	Y2260000000	Locating Pin	2
28	Y2520000000	Inlet valve	1
29	Y2530000000	Outlet valve	1
30	Y2B30000000	Spark Plug	1
31	Y2930000000	Gasket of Muffler	1
32	Y2910000000	Muffler Assy	1
33	Y2920000000	Muffler Cover Assy	1
34	B2016W00000	Locknut M6	2
35	Y25E00000000	Handspike Assy	1
36	Y25C00000000	Guide Board of Handspike	2
37	Y25800000000	Rocker Support Bolt of Valve	2
38	BC011H00000	Oil Seal of valve	1



Pos No	Part No.	Description	Qty
39	Y2540000000	Spring of Valve	2
40	Y2550000000	Spring Coil of outlet Valve	2
41	Y2570000000	Rocker of Valve	2
42	Y2590000000	Adjust Nut of Valve	2
43	Y25A0000000	Combined Nut	2
44	B1044W08045	Bolt M8*45	4
45	Y2130000000	Gasket of Cylinder Head Cove	2
46	Y2140000000	Cylinder Head Inner Cover	1
47	Y2150000000	Cylinder Head Outer Cover	1
48	B1059W06014	Bolt M6*14	4
49	Y21110000000	Cylinder Head Assy	1
50	B4003W06092	Two Stud Bolt M6*92	4
51	Y2810000000	Paper Gasket of Inlet Pipe	1
52	Y2820000000	Air Inlet Pipe	1
53	Y2830000000	Paper Gasket of Carburetor	1
54	Y2850000000	Carburetor Assy	1
55	Y2840000000	Paper Gasket of Air Filter	2
56	Y28P0000050	Primer	1
57	Y28R0000000	Circlip	2
58	Y28Q0000000	Exhuast Pipe	1
59	Y2870000000	Air Filter Pedestal	1
60	Y28A0000000	Exhuast Pipe $\phi 8 \times \phi 12 \times 165$	1
61	B2012W00000	Bolt M6	3
62	Y2880000000	Paper Filter Element	1
63	Y28C0000000	Filter Element	1
64	Y2860000000	Air Filter Upper Cover	1
65	Y28H0000000	Fuel Tank Cap	1
66	Y28F0000000	Seal Gasket of Fuel Tank Cap	1
67	Y28T0000000	Connecting Rope	1
68	Y28S0000000	Gasket	4
69	Y28D0000000	Fuel Tank	1
70	Y28N0000000	Right Bracket of Fuel Tank	1
71	B2008W00000	Locknut M6	2
72	Y28M0000000	Left Bracket of Fuel Tank	1
73	Y28E0000000	Filtering Net Duct of Fuel	1
74	Y28K0000000	Oil Pipe Circlip I	1
75	Y28J0000000	Oil Pipe	1
76	Y28U0000000	Oil Pipe Fixing Clip	1



Pos No	Part No.	Description	Qty
77	Y28L0000000	Oil Pipe Circlip II	1
78	Y2210000000	Crankcase Assy	1
79	Y2660000000	Speed Regulator Rocker Spindle	1
80	BC006B00000	Oil Seal 6*11*4	1
81	Y2670000000	Springness Split Pin	1
82	Y2690000000	plate	1
83	Y26B0000000	Handspike of Valve	1
84	Y26C0000000	Spring of Valve	1
85	B1085W06023	"T" type Bolt M6*23	1
86	Y2680000000	Speed Regulator Rocker	1
87	Y26A0000000	Speed Regulator Vice Spring	1
88	BC003B00000	Oil Seal 22*35*7	1
89	B0008W00000	Ball bearing	1
90	Y2410000300	Crankshaft Assy	1
91	Y2470000000	Connecting Rod Assy	1
92	Y2490000000	Circlip of Piston Pin	2
93	Y2420000000	Piston Assy	1
94	Y2480000000	Piston Pin	1
95	Y2450000000	Scraper Ring	2
96	Y2460000000	Bushing Ring	1
97	Y2440000000	Piston Ring II	1
98	Y2430000000	Piston Ring I	1
99	Y2350000000	Gasket of Crankcase	1
100	Y233ZC00000	Lubricating Gauge	1
101	BD006B00000	O Ring	1
102	Y2320000000	Lubricating Pipe Assy	1
103	Y2360000000	Locating Pin of Crankcase	2
104	BD004H00000	"O" Ring $\phi 21 \times \phi 2.3$	1
105	B1016W10012	Draining Oil Bolt	2
106	B5021W00000	Draining Oil Bolt Gasket	2
107	Y2310000000	Crankcase Cover	1
108	B1065W06030	Bolt M6*30	7
109	BC004B00000	Oil seal 25*38*7	1
110	Y25B0000000	Tappet	2
111	Y2510000000	Camshaft Assy	1
112	Y2650000000	Gear Shaft Hold-down Plate	1
113	Y2640000000	Sliding Sleeve	1
114	Y2610000000	Gear Shaft Assy	1



Pos No	Part No.	Description	Qty
115	Y2620000000	Circlip of Gear shaft	1
116	B5026W00000	Flat Washer	1

