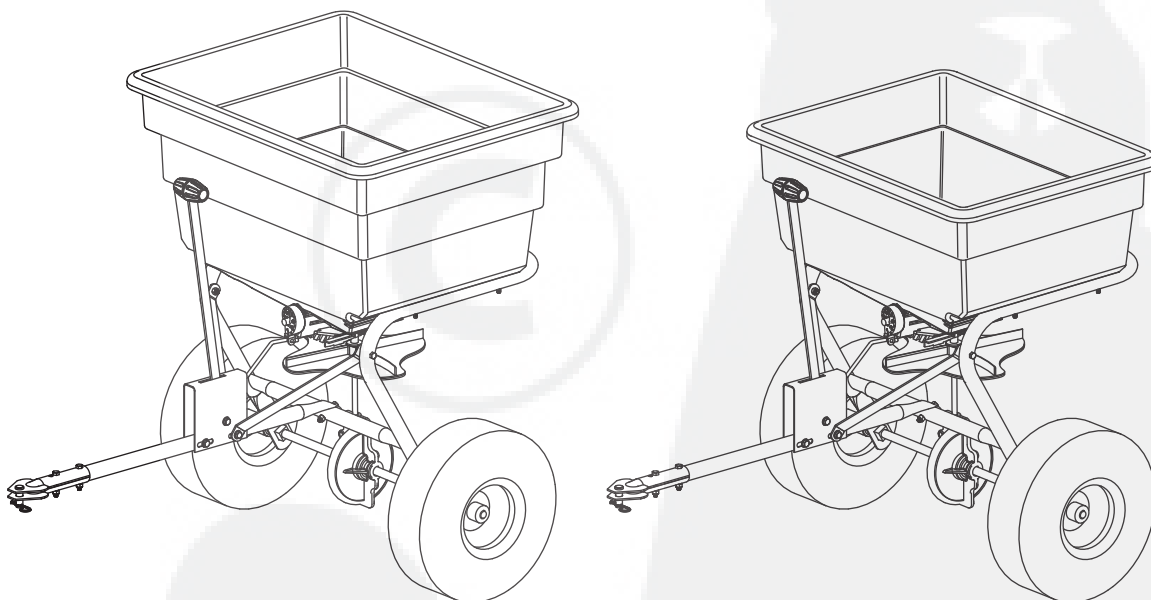




Operator's Manual

Model P30/S30 Series

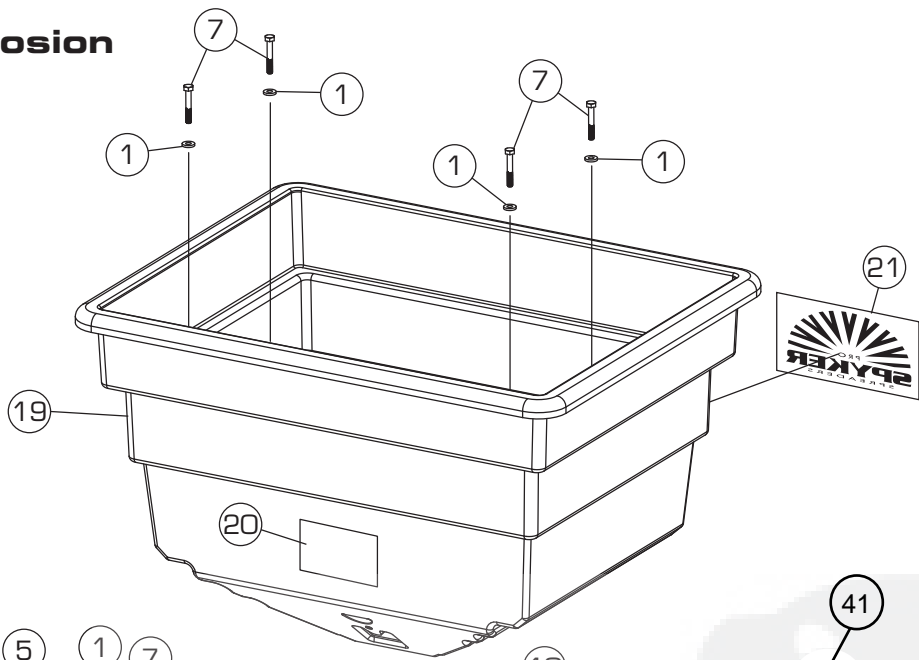


▲IMPORTANT

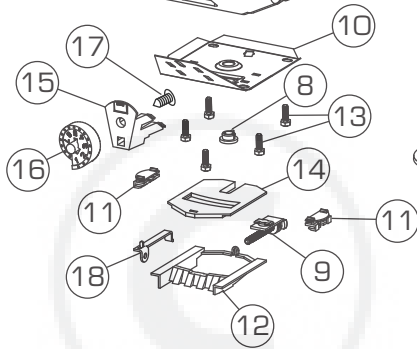
This manual contains information for the safety of persons and property. Read it carefully before assembly and operation of the equipment!

Spyker Spreaders
Contact Us at 800.972.6130

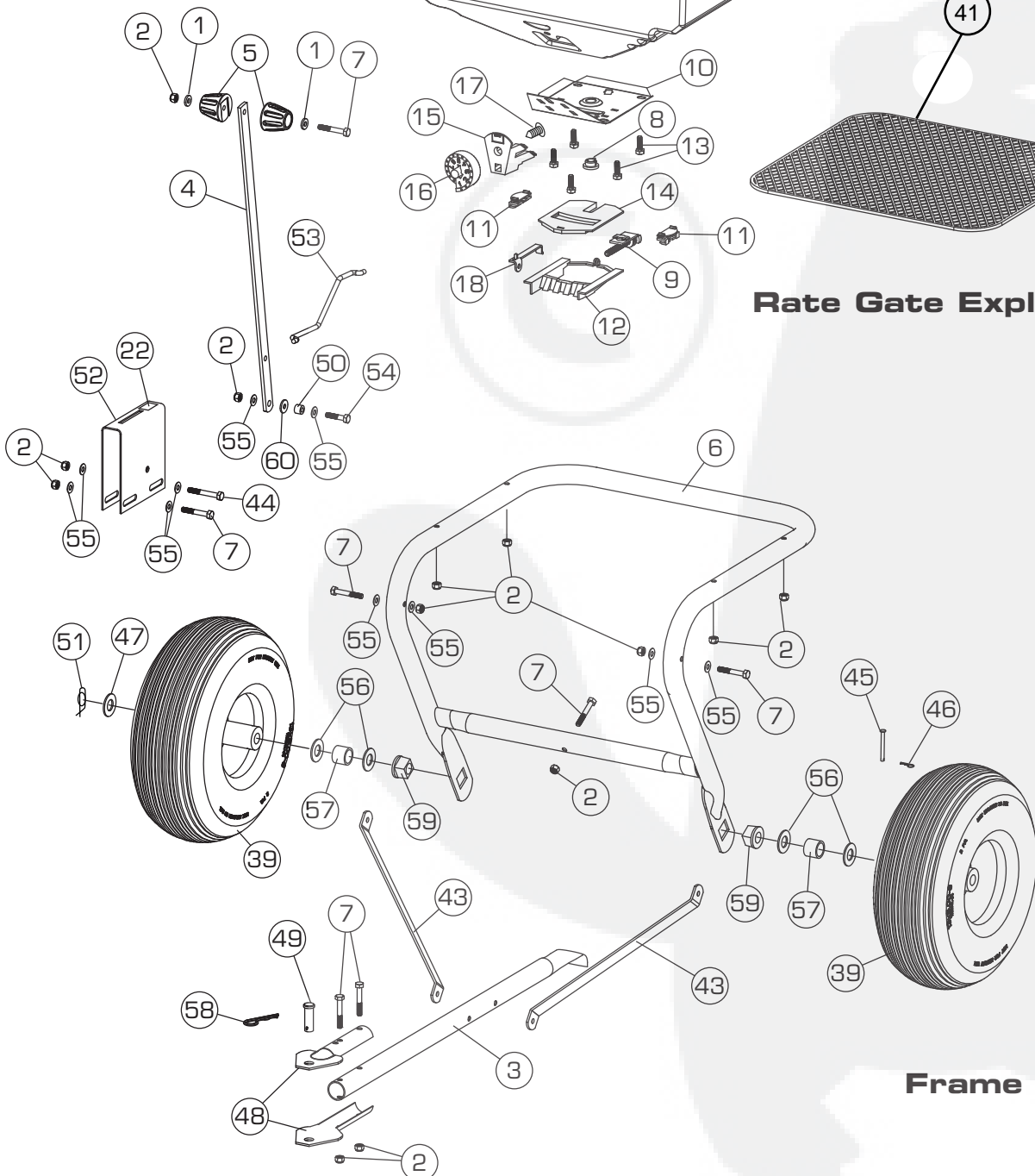
Hopper Explosion



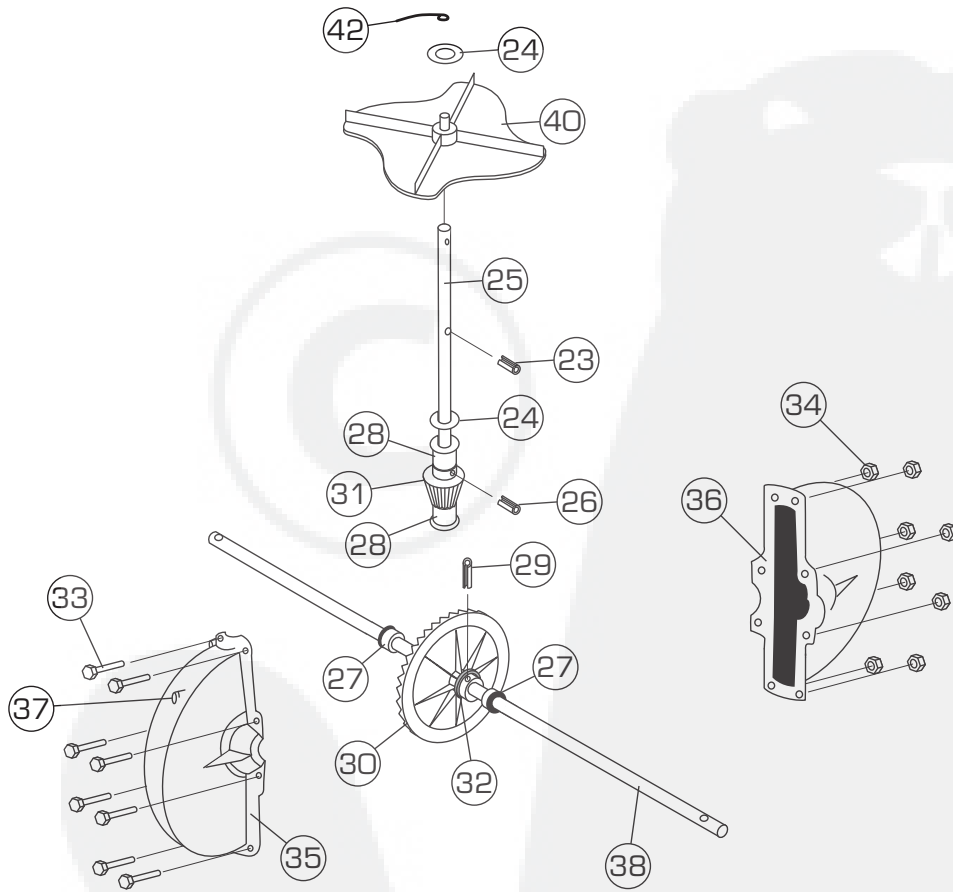
Rate Gate Explosion



Frame Explosion



Spinner/Axle Explosion



No.	Part Number	Qty	Description	No.	Part Number	Qty	Description
1	05-94-0064	6	Nylon Washer	32	05-288-1027	1	Nylon Pin Retainer
2	SS-91-0004	13	1/4-20 Nylon Locknut, SS	33	05-90-0097	8	#10-24 x 5/8" Flange Head Bolt, SS
3	1007745-01	1	Towtube, Polished	34	05-91-0008	8	#10-24 Nylon Locknut, SS
	1007744-10	1	Towtube, Painted				
4	1007746-01	1	Control Handle, Polished	35	05-94-0037	1	Gear Box Cover Front
	1007740-10	1	Control Handle, Painted	36	05-94-0038	1	Gear Box Cover Rear
5	1007828	2	Handle Knob	37	05-98-0111	1	Grease Zerk
6	1008023-01	1	Frame, Polished	38	1008125	1	Axle
	1008026-10	1	Frame, Painted	39	05-95-0016-JD	2	Wheel
7	05-90-0080	11	1/4-20 x 1-3/4" Hex Bolt SS	40	SS-94-0012-1	1	Spinner
8	SS-94-0007	1	Hopper Bottom Bearing	41	1008104	1	Screen
9	05-44-2210	1	Accuway Screw Assembly	42	SS-96-0003	1	Agitator Wire
10	05-71-2205	1	Hopper Bottom Plate	43	05-179-0040	2	Tow Bar Brace, SS
11	05-94-0042	2	Rate Gate/Accuway Guide		1000566-10	2	Tow Bar Brace, Painted
12	05-94-0043	1	Accuway Diffuser	44	05-90-0038	1	1/4-20 x 2" Hex Bolt, SS
13	99-10-0205	5	1/4-20 x 1/2" Bolt, SS	45	05-90-0065	1	3/16 x 1-3/4" Clevis Pin
14	05-94-0068	1	Rate Gate	46	05-90-0089	1	Hairpin Cotter, Large
15	05-94-0069	1	Dial Mount	47	05-92-0004	1	Wheel Washer, SS
16	SS-94-0006	1	Plastic Dial	48	1001693-01	2	Hitch Plate, Polished
17	05-94-0078	1	Pine Tree Clip		1001147-10	2	Hitch Plate, Painted
18	05-24-1102	1	Rate Gate Link, Polished	49	SS-90-0006	1	Clevis Pin
19	1008128	1	Hopper, 12520 Series	50	05-92-0014	1	Nylon Spacer
	1008132	1	Hopper, 17520 Series	51	05-90-0040	1	Rue Ring Locking Pin
20	05-93-0075	1	Spyker Accuway Label	52	1007739-01	1	Control Bracket, Polished
21	1008067	1	Spyker Decal		1007709-10	1	Control Bracket, Painted
22	1008165	1	Flow Control Decal	53	1007742	1	Control Link
23	SS-90-0002	1	Roll Pin 1/8 x 7/8"	54	SS-90-0011	1	1/4-20 x 1-1/4" Hex Bolt, SS
24	SS-92-0002	2	Felt Washer	55	45M0909SS	10	Washer, SS
25	05-125-0070	1	Spinner Shaft	56	45M2121P	4	5/8" Flat Washer
26	SS-90-0001	1	Roll Pin 1/8 x 3/4"	57	B-6978-01	2	Spacer
27	05-90-0093	2	5/8" Gearbox Bushing	58	D-146P	1	Hairpin Cotter, Small
28	05-90-0094	2	3/8" Spinner Shaft Bushing	59	F-283	2	Axle Bearing
29	05-90-0096	1	3/16 x 1" Dowel Pin, SS	60	F-575	1	Special Thick Washer
30	05-94-0033	1	Bevel Gear	61	1008146	1	Operation Manual
31	05-94-0034	1	Pinion Gear				