

shindaiwa®

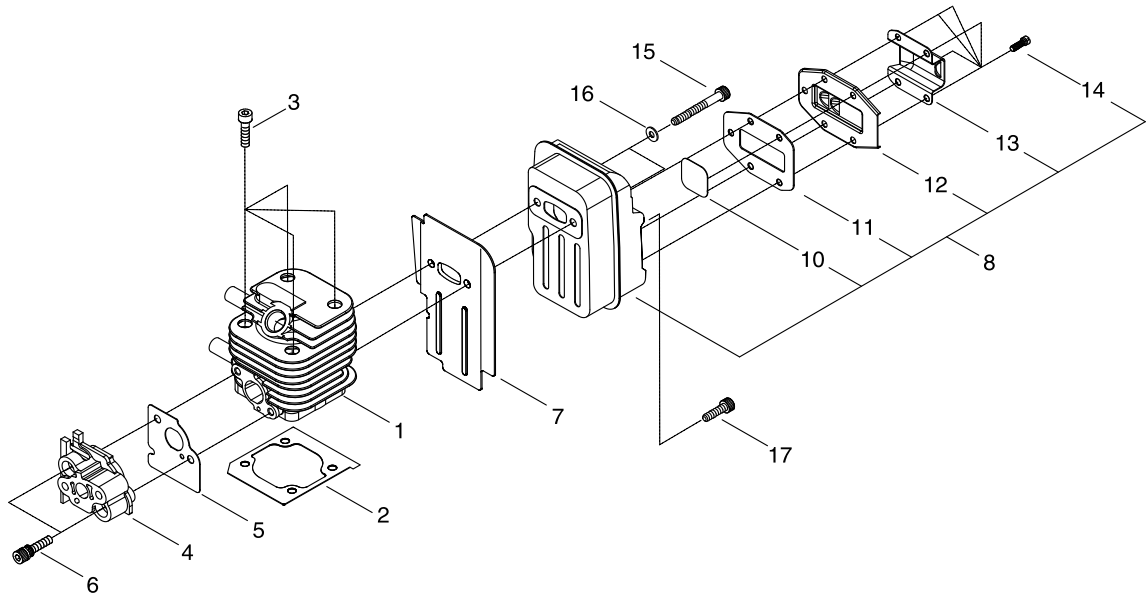
PARTS CATALOG

TRIMMER T243XS/SF375(37)

37000001 -

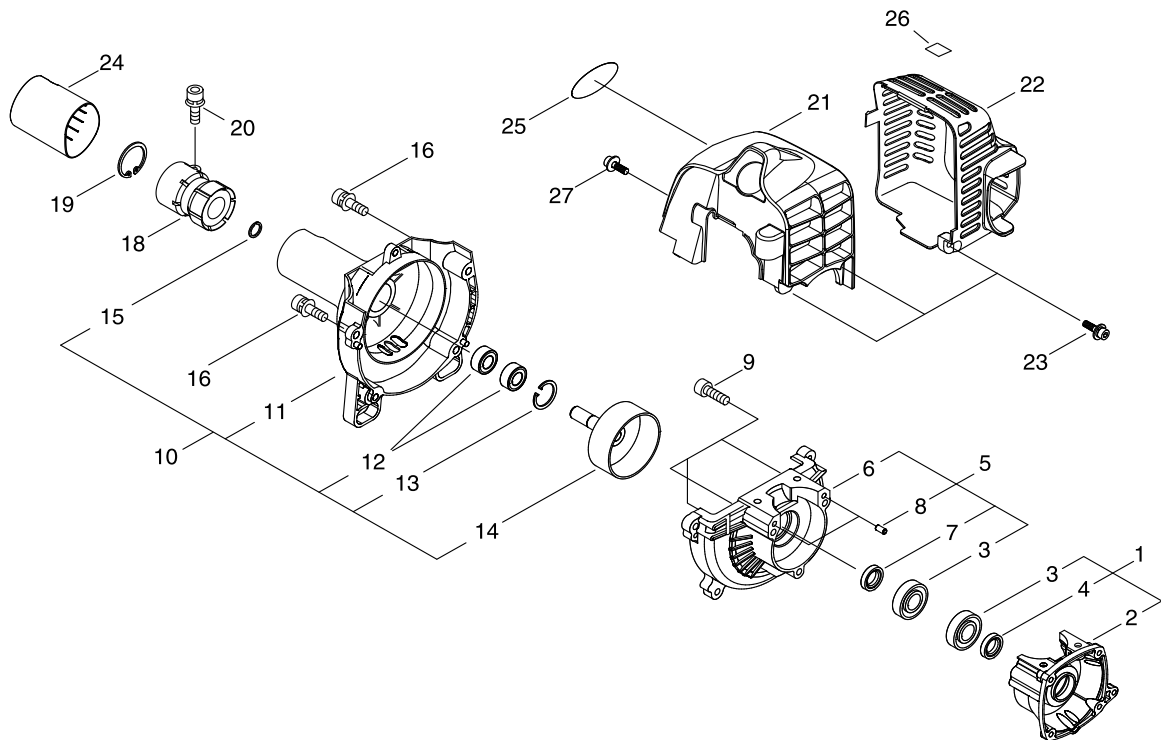
P017-002560-13Db

1. CYLINDER, MUFFLER



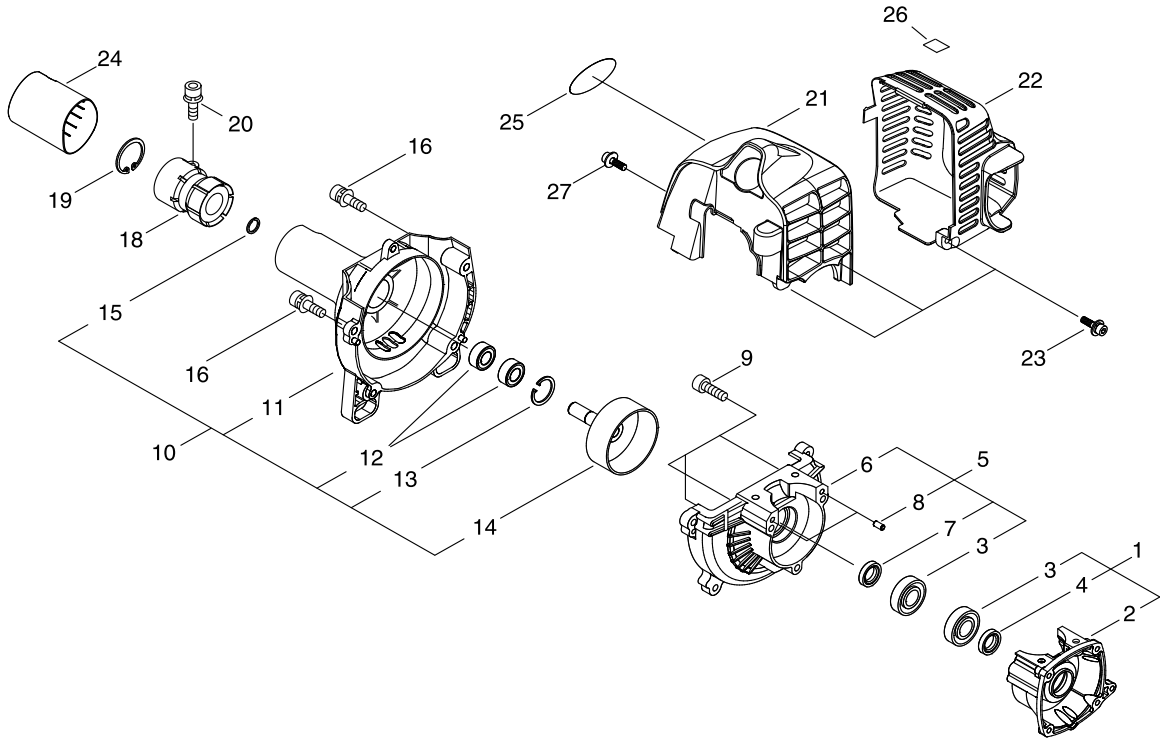
KEY	LV	PART NUMBER	Q'TY	DESCRIPTION	REMARKS	NOTE1	NOTE2
1		A130-001710	1	CYLINDER	NRCP		
2		V100-000610	1	GASKET,CYL			
3		900105-05016	4	BOLT, H.S. 5*16	5*16		
4		A200-000910	1	INSULATOR, INTAKE			
5		V103-000660	1	GASKET			
6		900162-05030	2	BOLT, H.S. 5*30	5*30 W,SW		
7		V104-001090	1	GASKET MUFFLER			
8		P021-037641	1	MUFFLER ASY			
10	+	A310-000170	1	SCREEN			
11	+	V104-001100	1	GASKET			
12	+	A313-001660	1	GUIDE, EXHAUST			
13	+	A313-001230	1	TAIL PLATE			
14		900283-04008	5	SCREW 4*8	4*8		
15		91109-05055	2	BOLT	CB-5*0.8*55		
16		900604-00005	2	WASHER 5 SUS	5 SUS		
17		900106-05012	1	BOLT, H.S. 5*12	5*12		

2. FAN COVER, CRANKCASE



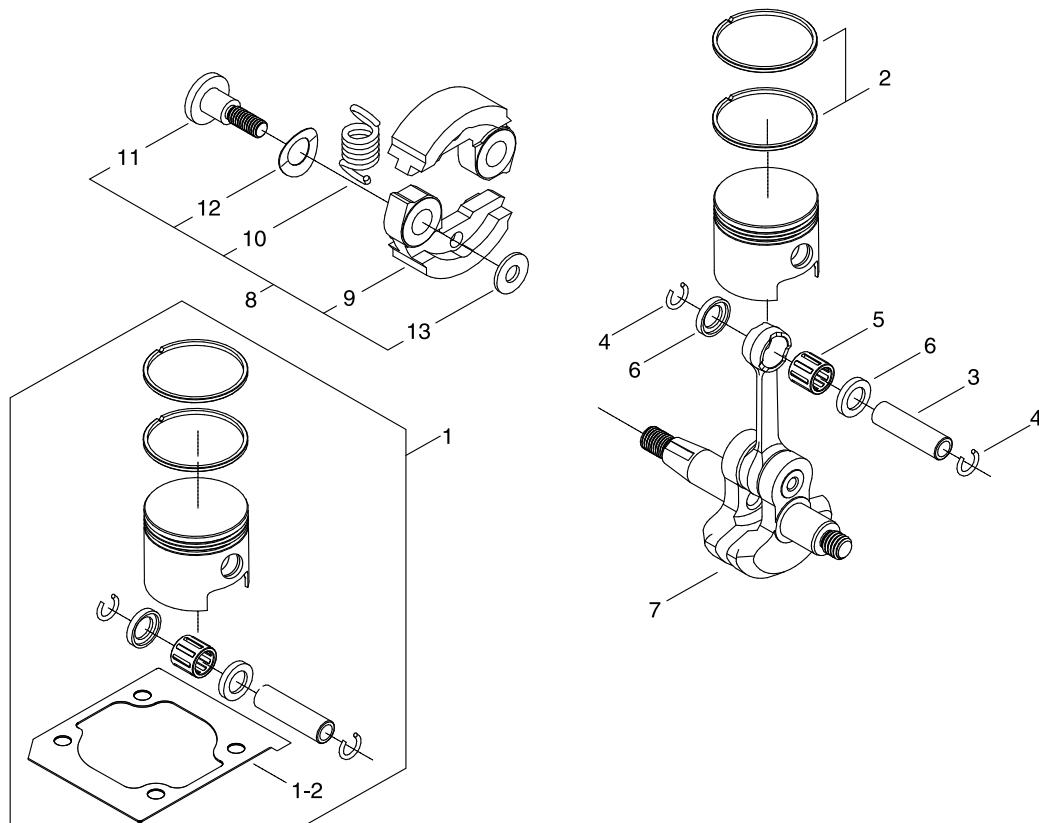
KEY	LV	PART NUMBER	Q'TY	DESCRIPTION	REMARKS	NOTE1	NOTE2
1		P021-035650	1	CRANK CASE S COMP	T242		
2	+	A120-000140	1	CRANK CASE S			
3	+	900800-36001	1	BEARING, BALL 6001	6001/C3		
4	+	V505-000070	1	OIL SEAL			
5		P021-035660	1	CRANK CASE M COMP	T242		
6	+	A120-000130	1	CRANK CASE M			
3	+	900800-36001	1	BEARING, BALL 6001	6001/C3		
7	+	V505-000080	1	OIL SEAL			
8	+	900330-40080	2	PIN F 4*8	4*8		
9		900105-05025	3	BOLT, H.S. 5*25	5*25		
10		P021-035702	1	FAN COVER-A			
11	+	A172-001700	1	COVER,FAN			
12	+	900802-06000	2	BEARING, BALL 6000	6000DDU(LLU)		
13	+	900702-00026	1	CIRCLIP 26	CR-26		
14	+	A556-001300	1	DRUM,CLUTCH			
15	+	900701-00010	1	CIRCLIP 10	CS-10		
16		900162-05018	2	BOLT, H.S. 5*18	5*18 W,SW		
18		A575-000470	1	FIXTURE, MAIN PIPE			
19		900702-00040	1	CIRCLIP 40	CR-40		
20		91122-05022	1	BOLT	CB-5*22 SW		
21		A160-002280	1	COVER,CYLINDER			
22		A320-000870	1	COVER,MUFFLER			
23		V202-000200	3	BOLT			
24		A413-000000	1	PROTECTOR			
25		X504-007740	1	LABEL,BRAND	T243XS		
26		X505-002310	1	LABEL,CAUTION	HOT CAUTION		

2. FAN COVER, CRANKCASE



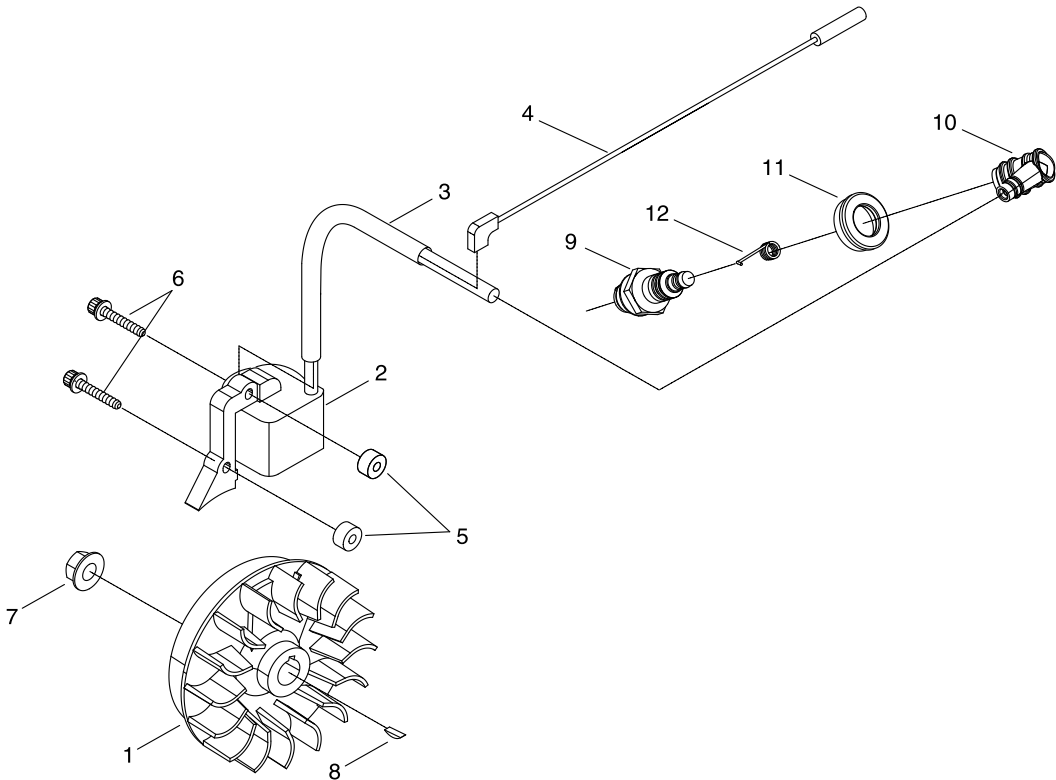
KEY	LV	PART NUMBER	Q'TY	DESCRIPTION	REMARKS	NOTE1	NOTE2
27		V202-000200	1	BOLT			

3. PISTON, CRANKSHAFT



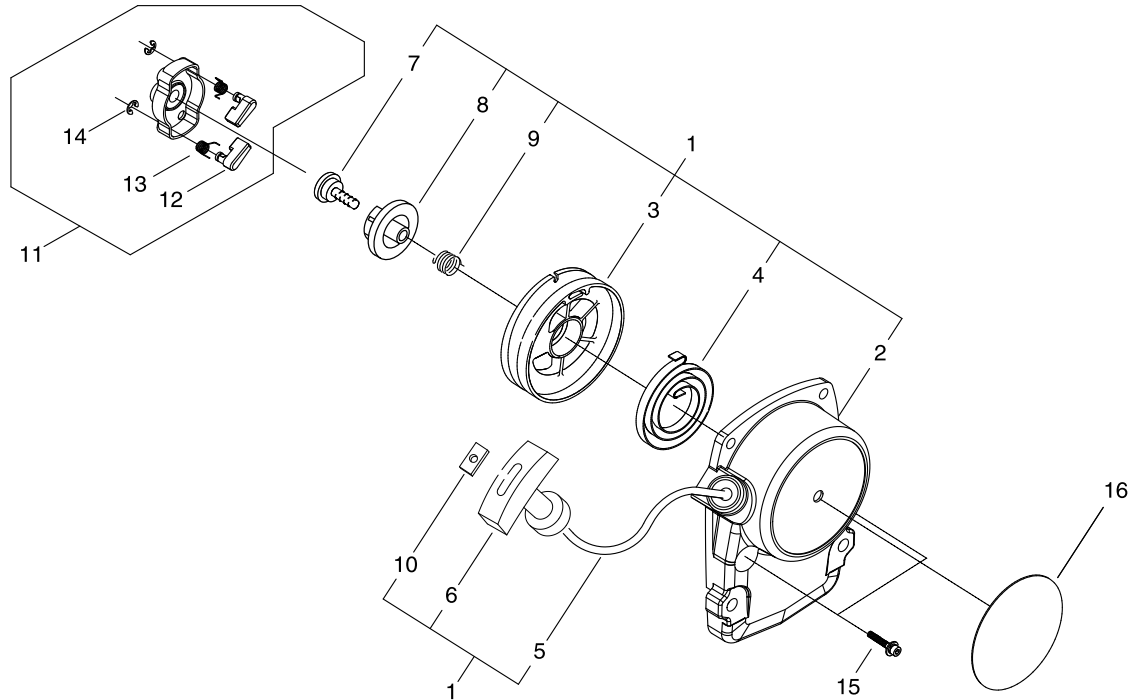
KEY	LV	PART NUMBER	Q'TY	DESCRIPTION	REMARKS	NOTE1	NOTE2
1		P021-035670	1	PISTON KIT			
2	+	A101-000290	2	PISTON RING			
3	+	V606-000000	1	PIN,ENG 8	5*8*28		
4	+	100015-04630	2	CIRCLIP, PISTON PIN			
5	+	V553-000080	1	NEEDLE BEARING			
6	+	V306-000250	2	WASHER,CIRCULAR 8			
7		A011-000700	1	CRANK SHAFT			
8		A056-000260	1	CLUTCH SHOE ASSY			
9	+	A553-000060	2	CLUTCH SHOE			
10	+	A566-000050	1	COIL SPRING			
11	+	A557-000040	2	BOLT			
12	+	V346-000040	2	SPRING PLATE			
13	+	V304-000150	2	WASHER			

4. MAGNETO



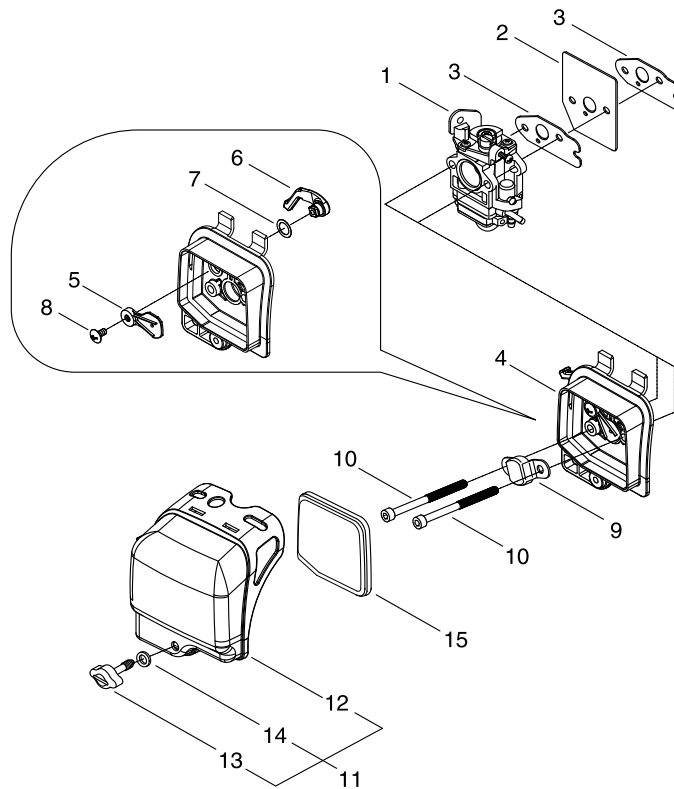
KEY	LV	PART NUMBER	Q'TY	DESCRIPTION	REMARKS	NOTE1	NOTE2
1		A409-001060	1	ROTOR, MAGNETO	C12076		
2		A411-001150	1	COIL, IGNITION	C12076		
3		V475-006600	1	TUBE	SSG-3 8*L125		
4		V485-002470	1	LEAD	L185		
5		V322-000040	2	INSULATOR			
6		V202-000480	2	BOLT ADHESIVE			
7		V265-000140	1	NUT			
8		93115-03010	1	KEY	3*10		
9		A425-000000	1	SPARKPLUG	BPMR8Y		
10		A427-000060	1	CAP, SPARK PLUG			
11		A429-000090	1	COVER, CAP			
12		A426-000010	1	TERMINAL, SPARKPLUG			

5. RECOIL STARTER



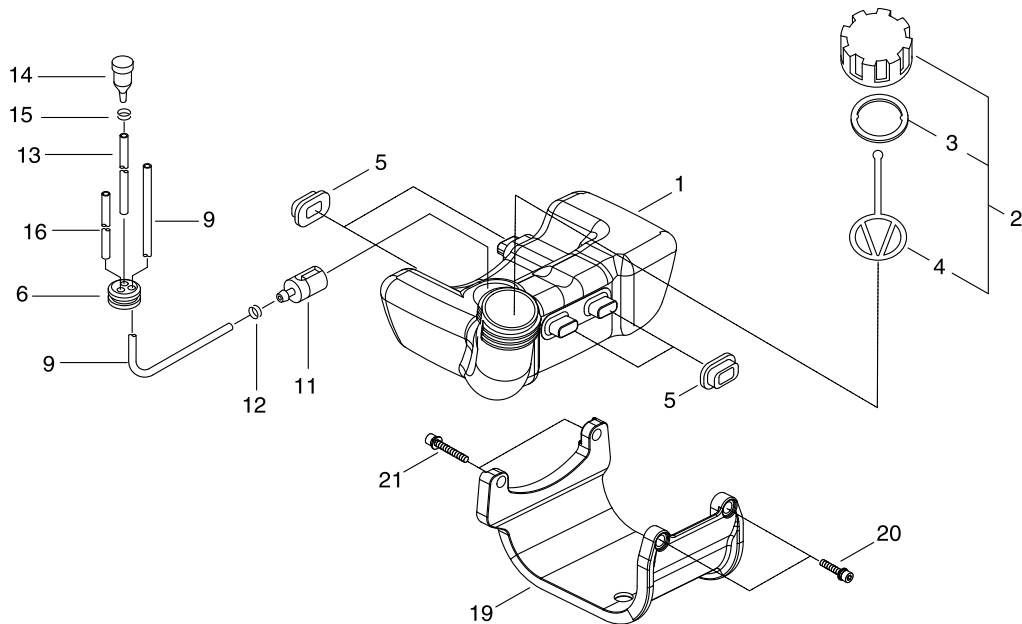
KEY	LV	PART NUMBER	Q'TY	DESCRIPTION	REMARKS	NOTE1	NOTE2
1		A051-002840	1	STARTER,RECOIL ASY			
2	+	A500-001361	1	CASE,STARTER			
3	+	P022-027980	1	DRUM, STARTER			
4	+	177220-42030	1	SPRING, REWIND			
5	+	P022-008260	1	ROPE	3M/M		
6	+	177228-27030	1	GRIP, STARTER			
7	+	177236-61830	1	SCREW			
8	+	P022-028000	1	PLATE, CAM			
9	+	P022-008270	1	SPRING,DAMPER			
10	+	177246-11120	1	CLIP, STARTER ROPE			
11		A052-000180	1	PULLEY,ASM STARTER			
12	+	P022-006850	2	PAWL, STARTER			
13	+	P022-006510	2	SPRING, RETURN			
14	+	P022-002100	2	E-RING	4		
15		V202-000200	2	BOLT			
16		X504-007680	1	LABEL,BRAND	SHINDAIWA 47		

6. AIR CLEANER



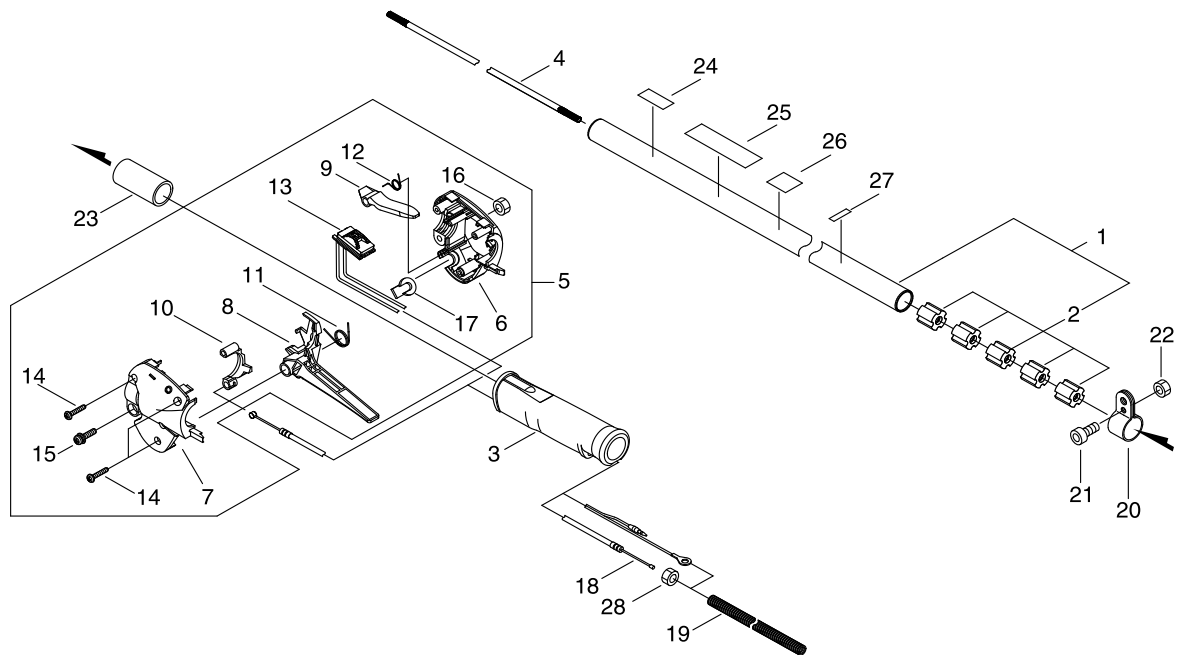
KEY	LV	PART NUMBER	Q'TY	DESCRIPTION	REMARKS	NOTE1	NOTE2
1		A021-003310	1	CARBURETOR,DIAPHRAGM	WYK-353		
2		A209-000460	1	PLATE, INSULATOR			
3		V103-001060	2	GASKET			
4		A023-000290	1	CASE,CLEANER			
5	+	A243-000280	1	SHUTTER, CHOKE			
6	+	A242-000140	1	CHOKE LEVER			
7	+	V346-000050	1	WASHER,WAVE			
8	+	91439-04012	1	SCREW,TRUSS,T			
9		A244-000120	1	BACK PLATE			
10		91109-05060	2	BOLT	CB-5*60		
11		A232-000640	1	CLEANER COVER ASSY			
12	+	A232-000630	1	CLEANER COVER			
13	+	V299-000340	1	KNOB			
14	+	V323-000080	1	COLLAR			
15		A226-001390	1	ELEMENT, AIR FILTER	YF975X1300		

7. FUEL TANK



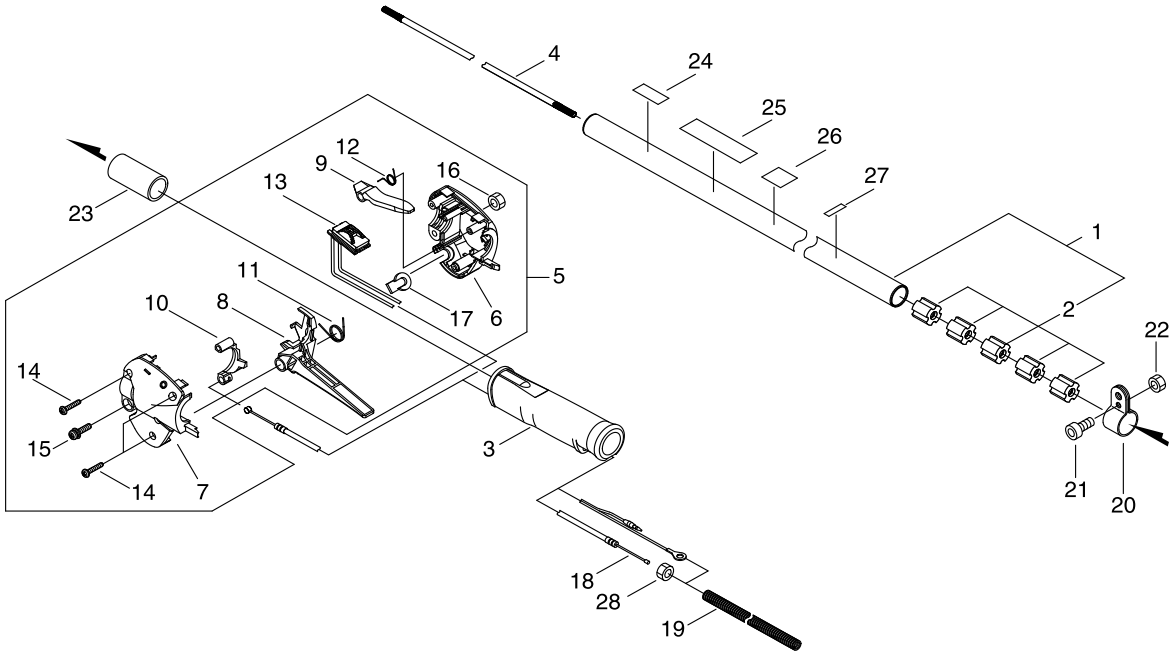
KEY	LV	PART NUMBER	Q'TY	DESCRIPTION	REMARKS	NOTE1	NOTE2
1		A350-000972	1	TANK, FUEL			
2		P021-035680	1	FUEL CAP ASY	T242		
3	+	131016-55830	1	GASKET, FUEL CAP			
4	+	A365-000060	1	CONNECTOR,CAP	L=123		
5		V420-002220	4	TANK CUSHION			
6		132115-55930	1	GROMMET, FUEL			
9		437210-30830	1	PIPE, OIL	NBR 3*6*210L		
11		A369-000001	1	STRAINER, FUEL	125-528		
12		V490-001240	1	CLIP			
13		130110-54430	1	PIPE, IMPULSE	3*6*105 NBR		
14		A356-000040	1	VALVE,CHECK			
15		V490-001230	1	CLIP			
16		132010-49730	1	PIPE 3*6*85	3*6*85 YL		
19		A175-000080	1	TANK GUARD			
20		900162-05018	2	BOLT, H.S. 5*18	5*18 W,SW		
21		900162-05040	2	BOLT, H.S. 5*40	5*40 W,SW		

8. MAIN PIPE

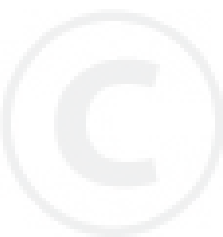


KEY	LV	PART NUMBER	Q'TY	DESCRIPTION	REMARKS	NOTE1	NOTE2
1		C050-002080	1	PIPE, MAIN			
2	+	C501-000010	5	BUSH			
3		C412-000261	1	GRIP, HANDLE			
4		C504-000500	1	MAIN SHAFT			
5		C044-000350	1	THROTTLE LEVER ASSY			
6	+	C401-000140	1	BODY RIGHT			
7	+	C401-000150	1	BODY LEFT			
8	+	C450-000480	1	LEVER			
9	+	C460-000190	1	LOCK LEVER			
10	+	C461-000020	1	HOLDER			
11	+	V452-000700	1	COIL SPRING			
12	+	V452-000500	1	COIL SPRING			
13	+	A440-001390	1	SWITCH			
14	+	V252-000380	3	SCREW TAPPING			
15	+	91575-05020	1	SCREW PM SPW			
16	+	92017-05000	1	NUT	M5		
17	+	V162-000350	1	PLUG			
18		V430-002611	1	CABLE, BOWDEN			
19		V475-004470	1	TUBE			
20		C670-000070	1	HANGER			
21		900105-05012	1	BOLT, H.S. 5*12	5*12		
22		900500-00005	1	NUT 5	5		
23		V363-000120	1	PROTECTOR			
24		X505-002900	1	LABEL CAUTION			
25		890617-43130	1	LABEL, CAUTION			
26		X508-000270	1	LABEL DECIBEL			

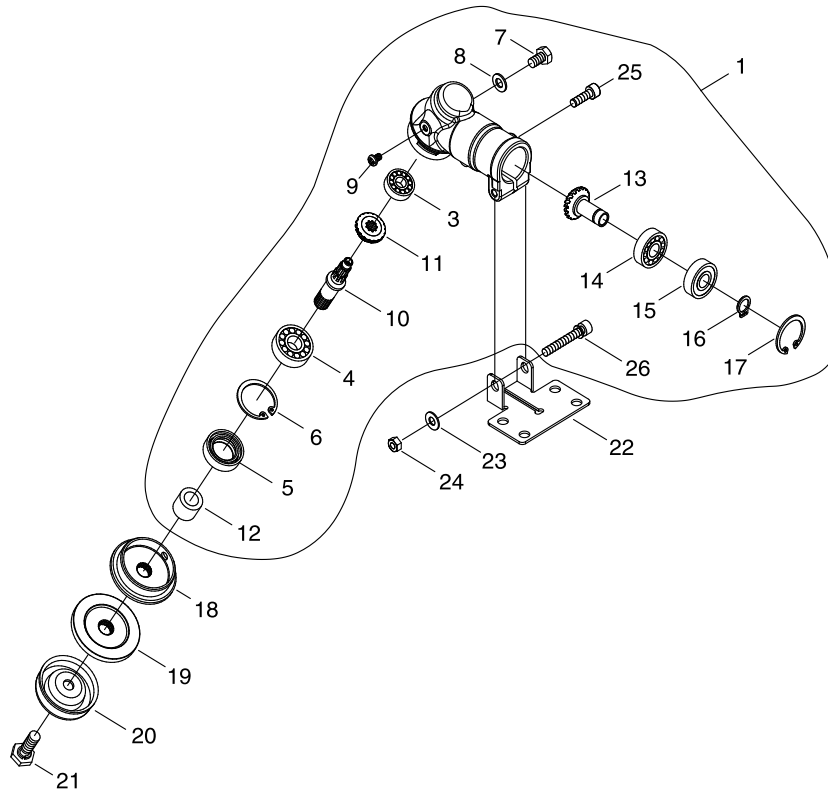
8. MAIN PIPE



KEY	LV	PART NUMBER	Q'TY	DESCRIPTION	REMARKS	NOTE1	NOTE2
27		X524-002380	1	HANDLE LABEL			
28		900502-00006	1	NUT 6 (3N)	3N6		

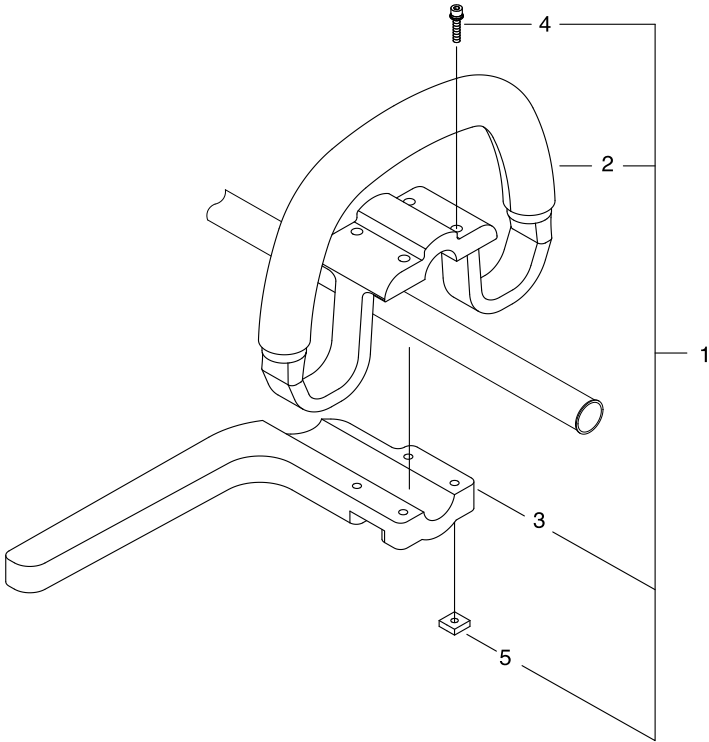


9. GEAR CASE



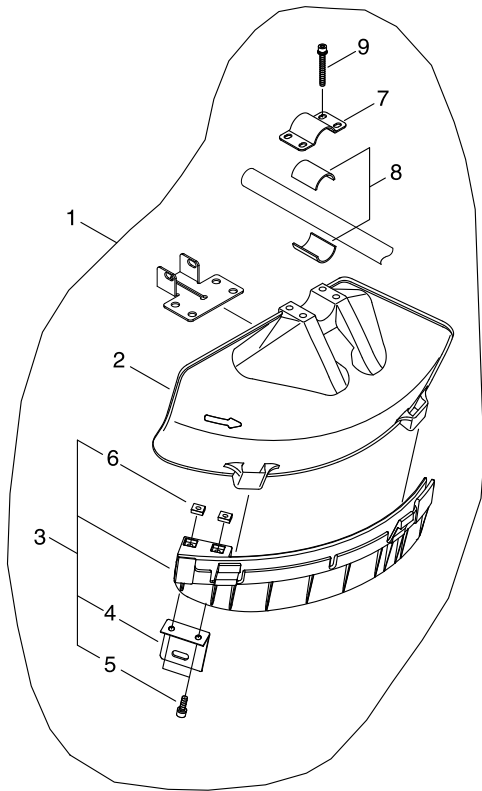
KEY	LV	PART NUMBER	Q'TY	DESCRIPTION	REMARKS	NOTE1	NOTE2
1		P021-025400	1	GEAR CASE SUB ASSY			
3	+	900810-00626	1	BEARING, BALL 626	626		
4	+	900800-06000	1	BEARING, BALL 6000	6000		
5	+	V509-000000	1	OIL SEAL			
6	+	92424-26000	1	SNAP RING			
7	+	91030-06010	1	BOLT			
8	+	900600-00006	1	WASHER 6	6		
9	+	91570-04006	1	SCREW PM			
10	+	C534-000530	1	GEAR SHAFT			
11	+	V651-000390	1	BEVEL GEAR			
12	+	V356-000480	1	COLLAR			
13	+	V651-000380	1	PINION			
14	+	900800-00609	1	BEARING, BALL 609	609		
15	+	900804-00609	1	BEARING, BALL 609	609ZZ		
16	+	92423-09000	1	SNAP RING			
17	+	92424-24000	1	SNAP RING			
25	+	900105-05010	1	BOLT, H.S. 5*10	5*10		
26	+	V203-000530	1	BOLT SW			
18		C535-000820	1	HOLDER			
19		C535-000830	1	HOLDER			
20		C535-000600	1	BOLT GUARD			
21		V216-000060	1	BOLT SW			
22		C551-000050	1	LOWER CLAMP			
23		900603-00005	1	WASHER 5	5.5*12*0.8		
24		900500-00005	1	NUT 5	5		

10. HANDLE



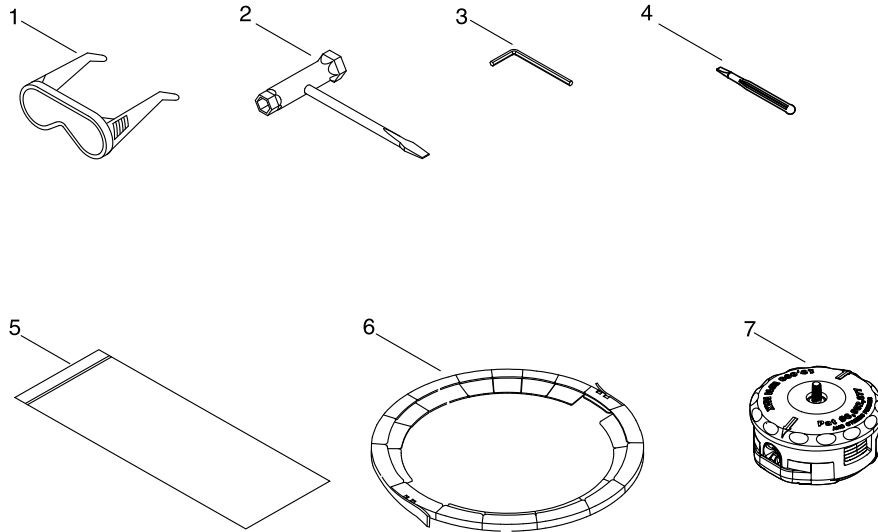
KEY	LV	PART NUMBER	Q'TY	DESCRIPTION	REMARKS	NOTE1	NOTE2
1		P021-027531	1	HANDLE ASSY			
2	+	C400-000630	1	HANDLE			
3	+	C405-000400	1	BARRIER			
4	+	V203-000601	4	BOLT,5	M5X35 WSW		
5	+	V263-000130	4	NUT			

11. BLADE COVER



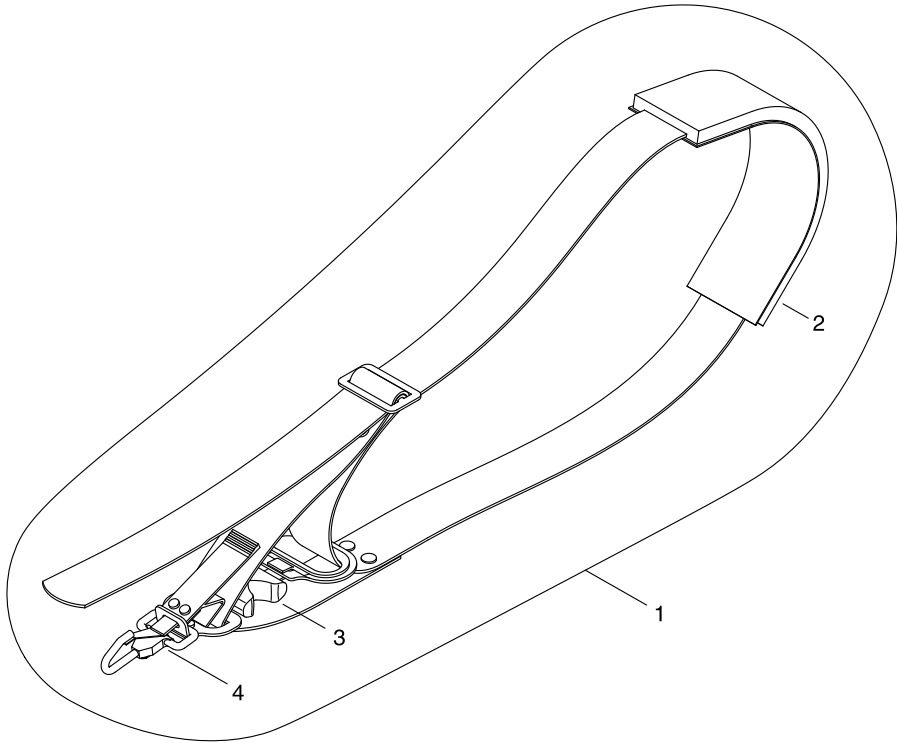
KEY	LV	PART NUMBER	Q'TY	DESCRIPTION	REMARKS	NOTE1	NOTE2
1		P021-028441	1	GUARD SET			
2	+	C550-000430	1	GUARD			
3	+	P021-028451	1	SUB GUARD ASSY			
4	++	C554-000040	1	CUTTER			
5	++	91122-05016	2	BOLT	CB-5*16 SW		
6	++	V263-000130	2	NUT			
7	+	C551-000060	1	UPPER CLAMP			
8	+	V375-000340	2	SPACER			
9	+	V203-000611	4	BOLT.5	M5X45 WSW		

12. ACCESSORIES



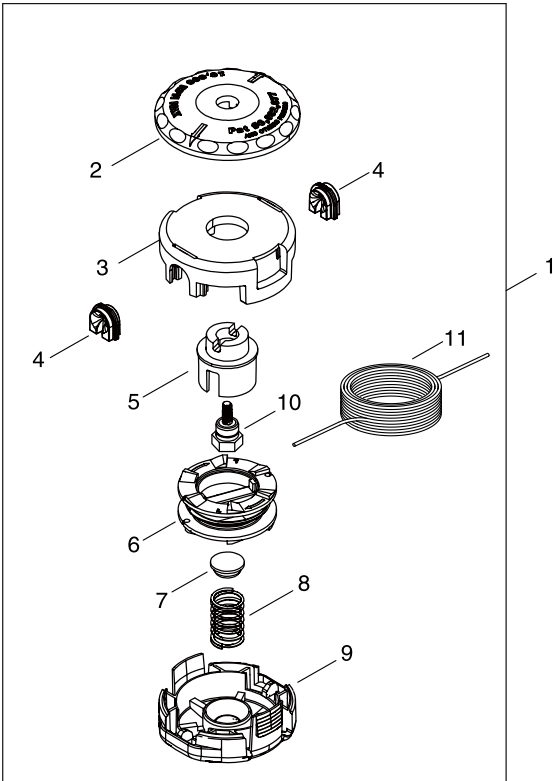
KEY	LV	PART NUMBER	Q'TY	DESCRIPTION	REMARKS	NOTE1	NOTE2
1		X690-000080	1	GOGGLE	SI CHINA, Z87.1		
2		X602-000120	1	TOOL,WRENCH	19-13		
3		X605-000100	1	TOOL,L WRENCH	4MM M5		
4		X626-000010	1	TOOL,SCRAPER			
5		X705-000100	1	BAG,PACKING	140*200*T0.08		
6		P021-034750	1	BLADE COVER			
7		X047-000492	1	CUTTER,ASM LINE	SF375-7LH		

13. HARNESS



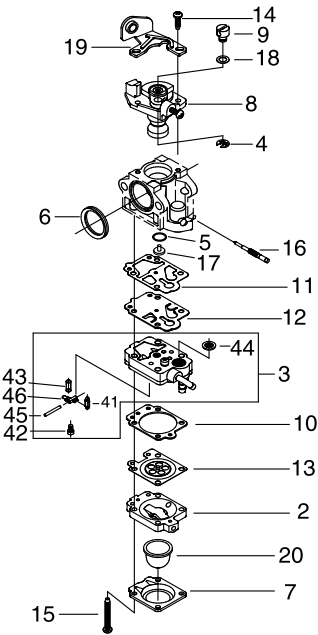
KEY	LV	PART NUMBER	Q'TY	DESCRIPTION	REMARKS	NOTE1	NOTE2
1		C062-000330	1	STRAP ASSY			
2	+	C644-000080	1	PROTECTOR			
3	+	C645-000010	1	CUSHION HARNESS			
4	+	C649-000150	1	HOOK			

14. NYLON LINE CUTTER



KEY	LV	PART NUMBER	Q'TY	DESCRIPTION	REMARKS	NOTE1	NOTE2
1		X047-000492	1	CUTTER,ASM LINE	SF375-7LH		
2	+	E415-000091	1	KNOB,REGULATOR			
3	+	X470-000181	1	DRUM,REEL			
4	+	X475-000050	2	EYELETS			
5	+	X476-000021	1	HUB,REEL			
6	+	X473-000011	1	REEL,CORD			
7	+	V494-000280	1	SPRING CAP			
8	+	V450-000871	1	SPRING,COMPRESSION			
9	+	X472-000012	1	LID,DRUM			
10	+	X471-000070	1	SHAFT,CORD	7MM X 1.0LH		
11	+	X474-000110	1	CORD			

15. CARBURETOR



KEY	LV	PART NUMBER	Q'TY	DESCRIPTION	REMARKS	NOTE1	NOTE2
		A021-003310	1	CARBURETOR,DIAPHRAGM	WYK-353		
2	+	P003-003980	1	BODY, AIR PURGE			
3	+	P003-004150	1	BODY ASSEMBLY, PUMP	T242		
41	++	123137-19830	1	VALVE, INLET NEEDLE			
42	++	123139-05560	1	SCREW, M. LEVER PIN			
43	++	123122-05560	1	SPRING, METER. LEVER			
44	++	123126-10631	1	SCREEN, INLET			
45	++	123138-03930	1	PIN, METERING LEVER			
46	++	123123-03930	1	LEVER, METERING			
4	+	123173-07930	1	CLIP			
5	+	123183-40630	1	O-RING			
6	+	123143-12110	1	RING, PACKING			
7	+	123142-05560	1	COVER, PRIMER PUMP			
8	+	P003-004160	1	VALVE ASY,THROTTLE	T242		
9	+	123172-45130	1	SWIVEL			
10	+	123140-05560	1	GASKET, M. DIAPHRAGM			
11	+	P003-004100	1	GASKET, PUMP			
12	+	123112-40630	1	DIAPHRAGM, PUMP			
13	+	P003-001850	1	DIAPHRAGM, METERING			
14	+	123114-40630	2	SCREW			
15	+	123110-05560	4	SCREW, PUMP COVER			
16	+	P003-004110	1	NEEDLE			
17	+	P003-004120	1	JET			
18	+	123149-54230	1	WASHER			
19	+	123128-54230	1	BRACKET, IDLE ADJUST			
20	+	123181-40630	1	PUMP, PRIMER			

Index

Patrs Number	Key No.	Patrs Number	Key No.	Patrs Number	Key No.
100015-04630	3 - 4	900800-00609	9 - 14	A369-000001	7 - 11
123110-05560	15 - 15	900800-06000	9 - 4	A409-001060	4 - 1
123112-40630	15 - 12	900800-36001	2 - 3	A411-001150	4 - 2
123114-40630	15 - 14	900800-36001	2 - 3	A413-000000	2 - 24
123122-05560	15 - 43	900802-06000	2 - 12	A425-000000	4 - 9
123123-03930	15 - 46	900804-00609	9 - 15	A426-000010	4 - 12
123126-10631	15 - 44	900810-00626	9 - 3	A427-000060	4 - 10
123128-54230	15 - 19	91030-06010	9 - 7	A429-000090	4 - 11
123137-19830	15 - 41	91109-05055	1 - 15	A440-001390	8 - 13
123138-03930	15 - 45	91109-05060	6 - 10	A500-001361	5 - 2
123139-05560	15 - 42	91122-05016	11 - 5	A553-000060	3 - 9
123140-05560	15 - 10	91122-05022	2 - 20	A556-001300	2 - 14
123142-05560	15 - 7	91439-04012	6 - 8	A557-000040	3 - 11
123143-12110	15 - 6	91570-04006	9 - 9	A566-000050	3 - 10
123149-54230	15 - 18	91575-05020	8 - 15	A575-000470	2 - 18
123172-45130	15 - 9	92017-05000	8 - 16	C044-000350	8 - 5
123173-07930	15 - 4	92423-09000	9 - 16	C050-002080	8 - 1
123181-40630	15 - 20	92424-24000	9 - 17	C062-000330	13 - 1
123183-40630	15 - 5	92424-26000	9 - 6	C400-000630	10 - 2
130110-54430	7 - 13	93115-03010	4 - 8	C401-000140	8 - 6
131016-55830	7 - 3	A011-000700	3 - 7	C401-000150	8 - 7
132010-49730	7 - 16	A021-003310	6 - 1	C405-000400	10 - 3
132115-55930	7 - 6	A021-003310	15 -	C412-000261	8 - 3
177220-42030	5 - 4	A023-000290	6 - 4	C450-000480	8 - 8
177228-27030	5 - 6	A051-002840	5 - 1	C460-000190	8 - 9
177236-61830	5 - 7	A052-000180	5 - 11	C461-000020	8 - 10
177246-11120	5 - 10	A056-000260	3 - 8	C501-000010	8 - 2
437210-30830	7 - 9	A101-000290	3 - 2	C504-000500	8 - 4
890617-43130	8 - 25	A120-000130	2 - 6	C534-000530	9 - 10
900105-05010	9 - 25	A120-000140	2 - 2	C535-000600	9 - 20
900105-05012	8 - 21	A130-001710	1 - 1	C535-000820	9 - 18
900105-05016	1 - 3	A160-002280	2 - 21	C535-000830	9 - 19
900105-05025	2 - 9	A172-001700	2 - 11	C550-000430	11 - 2
900106-05012	1 - 17	A175-000080	7 - 19	C551-000050	9 - 22
900162-05018	2 - 16	A200-000910	1 - 4	C551-000060	11 - 7
900162-05018	7 - 20	A209-000460	6 - 2	C554-000040	11 - 4
900162-05030	1 - 6	A226-001390	6 - 15	C644-000080	13 - 2
900162-05040	7 - 21	A232-000630	6 - 12	C645-000010	13 - 3
900283-04008	1 - 14	A232-000640	6 - 11	C649-000150	13 - 4
900330-40080	2 - 8	A242-000140	6 - 6	C670-000070	8 - 20
900500-00005	8 - 22	A243-000280	6 - 5	E415-000091	14 - 2
900500-00005	9 - 24	A244-000120	6 - 9	P003-001850	15 - 13
900502-00006	8 - 28	A310-000170	1 - 10	P003-003980	15 - 2
900600-00006	9 - 8	A313-001230	1 - 13	P003-004100	15 - 11
900603-00005	9 - 23	A313-001660	1 - 12	P003-004110	15 - 16
900604-00005	1 - 16	A320-000870	2 - 22	P003-004120	15 - 17
900701-00010	2 - 15	A350-000972	7 - 1	P003-004150	15 - 3
900702-00026	2 - 13	A356-000040	7 - 14	P003-004160	15 - 8
900702-00040	2 - 19	A365-000060	7 - 4	P021-025400	9 - 1

Index

Patrs Number	Key No.	Patrs Number	Key No.	Patrs Number	Key No.
P021-027531	10 - 1	V452-000700	8 - 11		
P021-028441	11 - 1	V475-004470	8 - 19		
P021-028451	11 - 3	V475-006600	4 - 3		
P021-034750	12 - 6	V485-002470	4 - 4		
P021-035650	2 - 1	V490-001230	7 - 15		
P021-035660	2 - 5	V490-001240	7 - 12		
P021-035670	3 - 1	V494-000280	14 - 7		
P021-035680	7 - 2	V505-000070	2 - 4		
P021-035702	2 - 10	V505-000080	2 - 7		
P021-037641	1 - 8	V509-000000	9 - 5		
P022-002100	5 - 14	V553-000080	3 - 5		
P022-006510	5 - 13	V606-000000	3 - 3		
P022-006850	5 - 12	V651-000380	9 - 13		
P022-008260	5 - 5	V651-000390	9 - 11		
P022-008270	5 - 9	X047-000492	12 - 7		
P022-027980	5 - 3	X047-000492	14 - 1		
P022-028000	5 - 8	X470-000181	14 - 3		
V100-000610	1 - 2	X471-000070	14 - 10		
V103-000660	1 - 5	X472-000012	14 - 9		
V103-001060	6 - 3	X473-000011	14 - 6		
V104-001090	1 - 7	X474-000110	14 - 11		
V104-001100	1 - 11	X475-000050	14 - 4		
V162-000350	8 - 17	X476-000021	14 - 5		
V202-000200	2 - 23	X504-007680	5 - 16		
V202-000200	2 - 27	X504-007740	2 - 25		
V202-000200	5 - 15	X505-002310	2 - 26		
V202-000480	4 - 6	X505-002900	8 - 24		
V203-000530	9 - 26	X508-000270	8 - 26		
V203-000601	10 - 4	X524-002380	8 - 27		
V203-000611	11 - 9	X602-000120	12 - 2		
V216-000060	9 - 21	X605-000100	12 - 3		
V252-000380	8 - 14	X626-000010	12 - 4		
V263-000130	10 - 5	X690-000080	12 - 1		
V263-000130	11 - 6	X705-000100	12 - 5		
V265-000140	4 - 7				
V299-000340	6 - 13				
V304-000150	3 - 13				
V306-000250	3 - 6				
V322-000040	4 - 5				
V323-000080	6 - 14				
V346-000040	3 - 12				
V346-000050	6 - 7				
V356-000480	9 - 12				
V363-000120	8 - 23				
V375-000340	11 - 8				
V420-002220	7 - 5				
V430-002611	8 - 18				
V450-000871	14 - 8				
V452-000500	8 - 12				

YAMABIKO CORPORATION

7-2 SUEHIROCHO 1-CHOME, OHME, TOKYO 198-8760, JAPAN
PHONE: 81-428-32-6118. FAX: 81-428-32-6145.

shindaiwa[®]



13Db
No. 05-218