

shindaiwa[®]

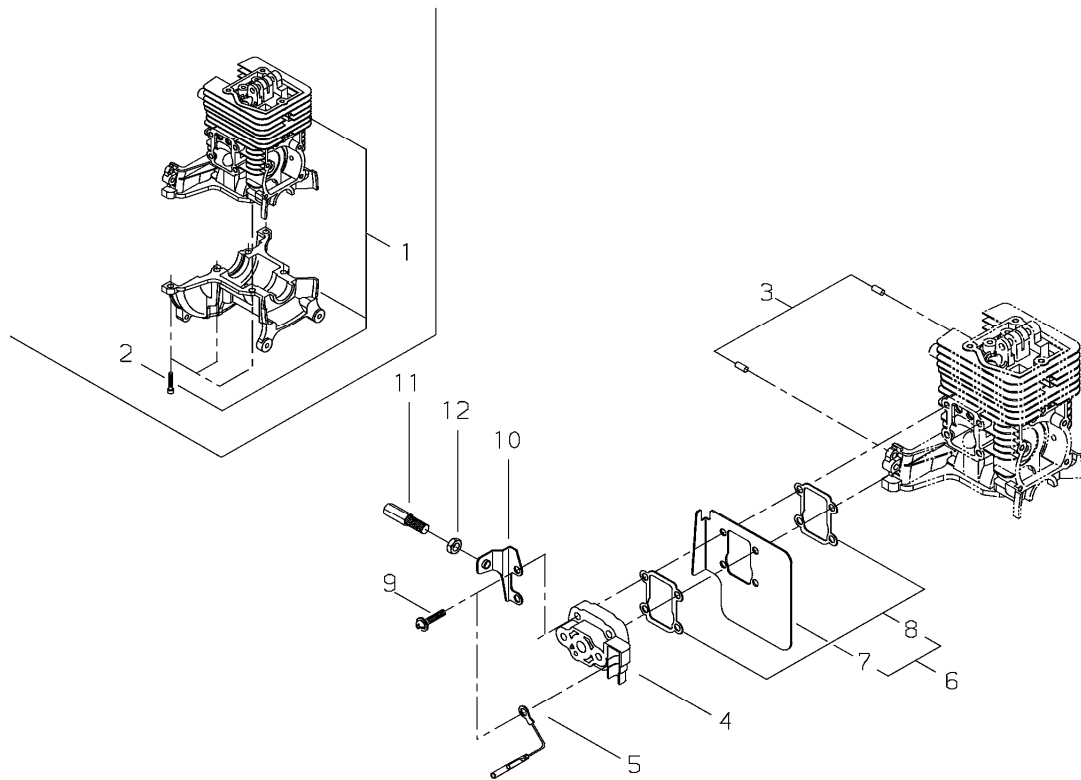
PARTS CATALOG

**TRIMMER
T2510X EC2**



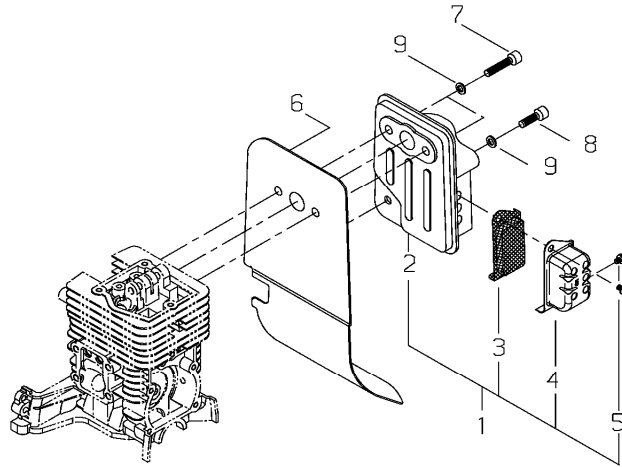
T2510X EC2

1. CYLINDER



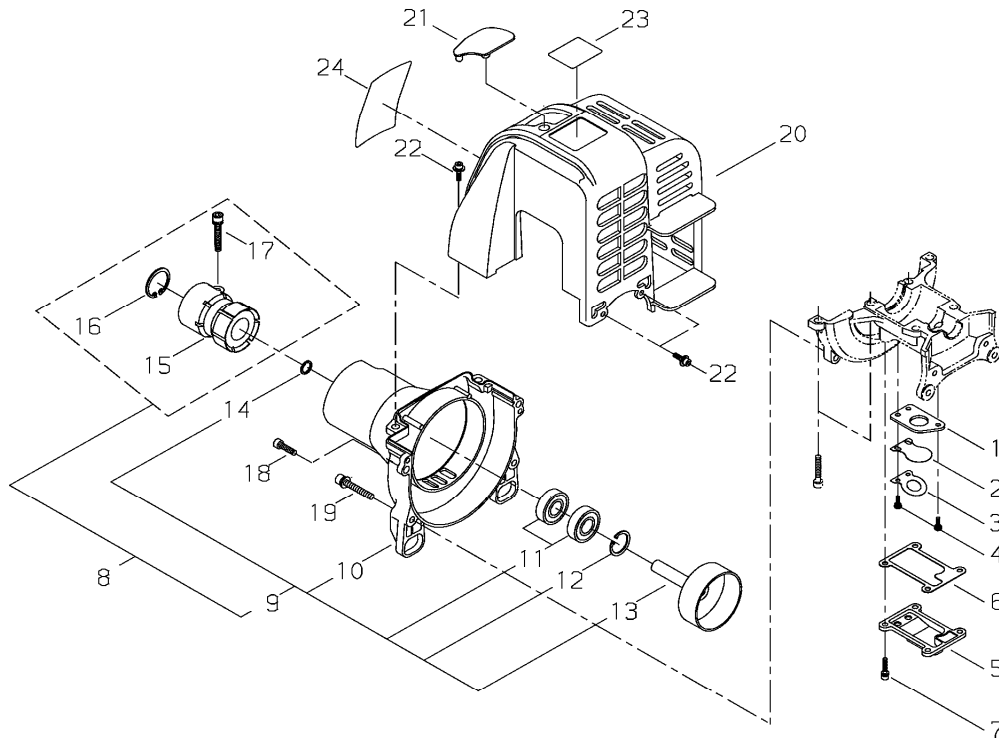
KEY	LV	PART NUMBER	Q'TY	DESCRIPTION	REMARKS	NOTE1	NOTE2
1		60908-98330	1	CYLINDER BLOCK SET			
2	•	01020-05160	6	BOLT	M5*16 BLACK	M5x16	
3		12492-40080	2	ROLLER		E4X8F6 C3	
4		62902-12310	1	REED VALVE			
5		14350-01101	1	LEAD WIRE	L110	L110	
6		62902-12320	1	BAFFLE PLATE COMP			
7	•	62901-12320	1	BAFFLE PLATE			
8	•	62901-12220	2	GASKET			
9		11206-05225	4	SCREW,PM-SPW	M5*22	M5x22	
10		62901-83310	1	BRACKET THROTTLE			
11		62902-83310	1	CABLE ADJUSTER			
12		01501-06048	1	NUT		M6	

2. MUFFLER



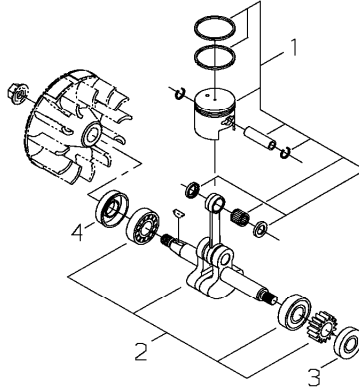
KEY	LV	PART NUMBER	Q'TY	DESCRIPTION	REMARKS	NOTE1	NOTE2
1		62907-15011	1	MUFFLER ASSY			
2	•	62907-15111	1	MUFFLER			
3	•	62902-15131	1	SCREEN			
4	•	62907-15161	1	TAIL PLATE			
5	•	11204-04060	2	SCREW,PM-SW		M4x6	
6		62901-15210	1	GASKET			
7		62901-15310	2	BOLT			
8		01020-05160	1	BOLT	M5*16 BLACK	M5x16	
9		01610-05080	3	WASHER		5mm	

3. CRANKCASE, FANCOVER



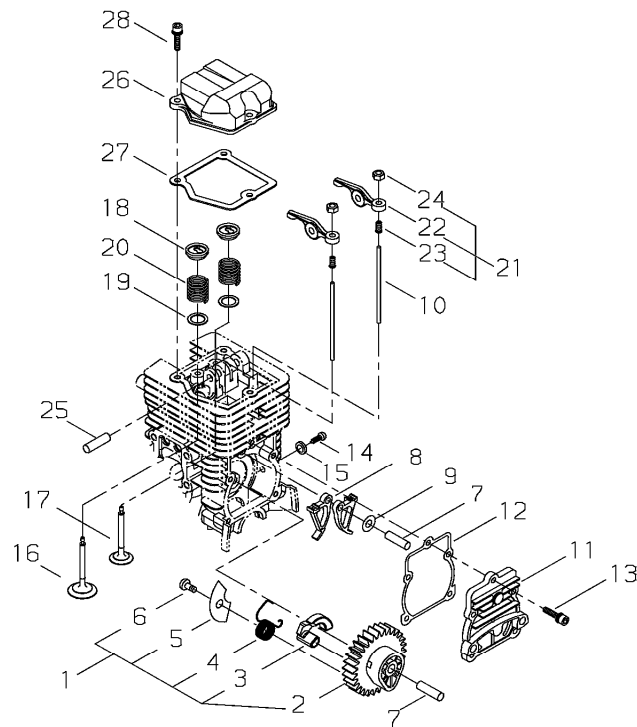
KEY	LV	PART NUMBER	Q'TY	DESCRIPTION	REMARKS	NOTE1	NOTE2
1		62901-21320	1	INSULATOR			
2		72320-83121	1	VALVE			
3		72320-83132	1	STOPPER			
4		01211-03100	3	SCREW-SW	M3*10	M3x10	
5		62901-21120	1	COVER			
6		62901-21130	1	GASKET			
7		11022-04120	4	BOLT-SPW	M4*12	M4x12	
8		60902-98023	1	FAN COVER ASSY			
9		62901-31013	1	FAN COVER COMP			
10		62901-31112	1	FAN COVER			
11		02002-06000	2	BALL BEARING		6000ZZ	
12		02432-26120	1	SNAP RING		26mm	
13		62100-31210	1	CLUTCH DRUM			
14		22000-13320	1	SNAP RING			
15		20087-31411	1	JOINT			
16		02432-40170	1	SNAP RING		40mm	
17		11020-05220	1	BOLT-SW		M5x22	
18		01020-05160	2	BOLT	M5*16 BLACK	M5x16	
19		11022-05450	2	BOLT SPW		M5x45	
20		62901-32111	1	CYLINDER COVER			
21		62901-32312	1	GROMMET			
22		11024-04160	4	BOLT SLPW		M4x16	
23		62910-91320	1	LABEL TRADE			
24		19420-00106	1	LABEL TRADE			shindaiwa、C4

4. PISTON



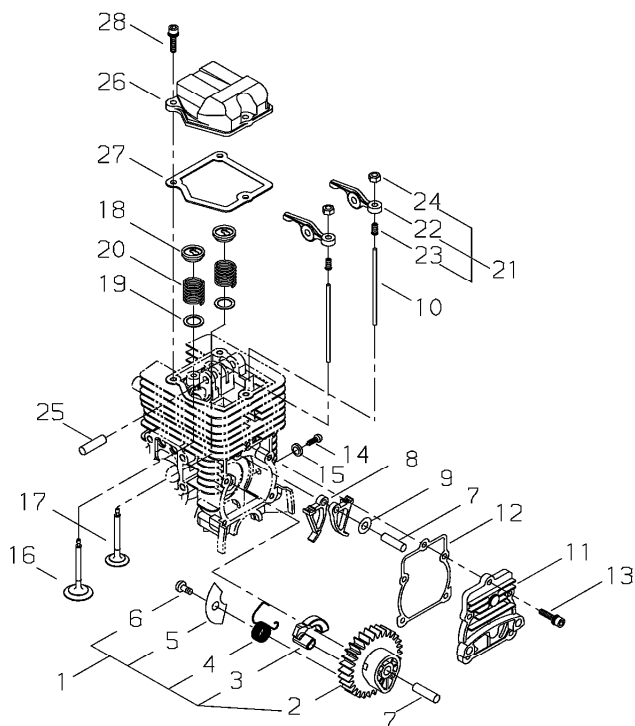
KEY	LV	PART NUMBER	Q'TY	DESCRIPTION	REMARKS	NOTE1	NOTE2
1		62902-41310	1	PISTON SET			
2		62902-42020	1	CRANKSHAFT COMP			
3		62901-42260	1	OIL SEAL			
4		62901-42270	1	OIL SEAL			

5. VALVE



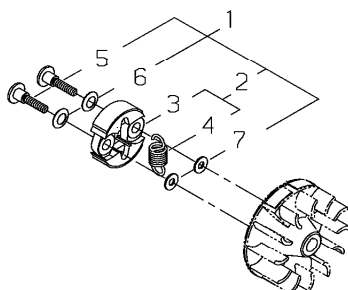
KEY	LV	PART NUMBER	Q'TY	DESCRIPTION	REMARKS	NOTE1	NOTE2
1		62905-43011	1	CAM GEAR ASSY			
2	•	62902-43310	1	CAM GEAR			
3	•	62907-43120	1	WEIGHT			
4	•	17520-08900	1	COIL SPRING			
5	•	62905-43131	1	PLATE			
6	•	01280-04062	1	SCREW, TAPPING		4x6	
7		12492-50290	2	ROLLER	5"L29.8		N5X29.8F6-C3
8		62907-43210	2	LIFTER			
9		11620-10000	1	WASHER	T0.3		5mm
10		62908-43220	2	PUSH ROD			
11		62901-43330	1	CAM GEAR COVER			
12		62901-43240	1	GASKET			
13		11022-04140	5	BOLT-SPW	M4-14		M4x14
14		62901-43310	1	SCREW			
15		15401-10028	1	COLLAR	5.5,10 T=2		φ10xφ5.5xL2
16		62902-44111	1	INTAKE VALVE			
17		62902-44121	1	EXHAUST VALVE			
18		62908-44140	2	RETAINER			
19		62908-44310	2	PLATE			
20		62901-44130	2	VALVE SPRING			
21		62907-44010	2	ROCKER ARM ASSY			
22	•	62901-44210	2	ROCKER ARM			
23	•	62907-44220	2	ADJUST SCREW			
24	•	62901-44231	2	NUT			
25		12492-50310	1	ROLLER	NTN F5*31.8		NTN F5X31.8
26		62901-44241	1	ROCKER ARM COVER			

5. VALVE



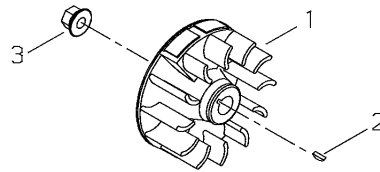
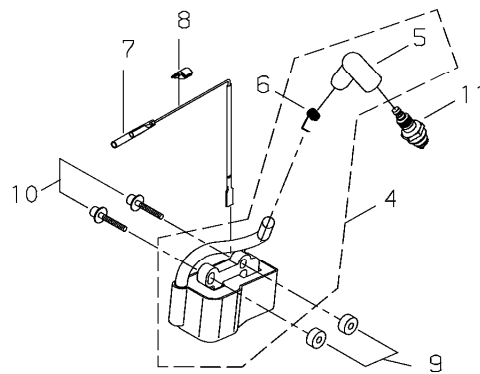
KEY	LV	PART NUMBER	Q'TY	DESCRIPTION	REMARKS	NOTE1	NOTE2
27		62901-44250	1	GASKET			
28		11022-04140	3	BOLT-SPW	M4-14	M4x14	

6. CLUTCH



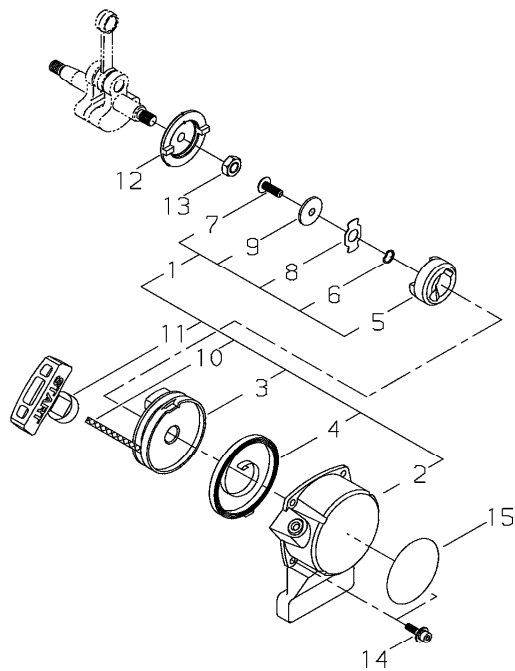
KEY	LV	PART NUMBER	Q'TY	DESCRIPTION	REMARKS	NOTE1	NOTE2
1		62901-51012	1	CLUTCH SET			
2	•	62901-51022	1	CLUTCH SHOE-A			
3	• •	70140-51113	2	CLUTCH SHOE			
4	• •	62901-51310	1	COIL SPRING			
5	•	20087-51210	2	BOLT			
6	•	20087-51231	2	SPRING PLATE			
7	•	22100-71430	2	WASHER			

7. MAGNETO



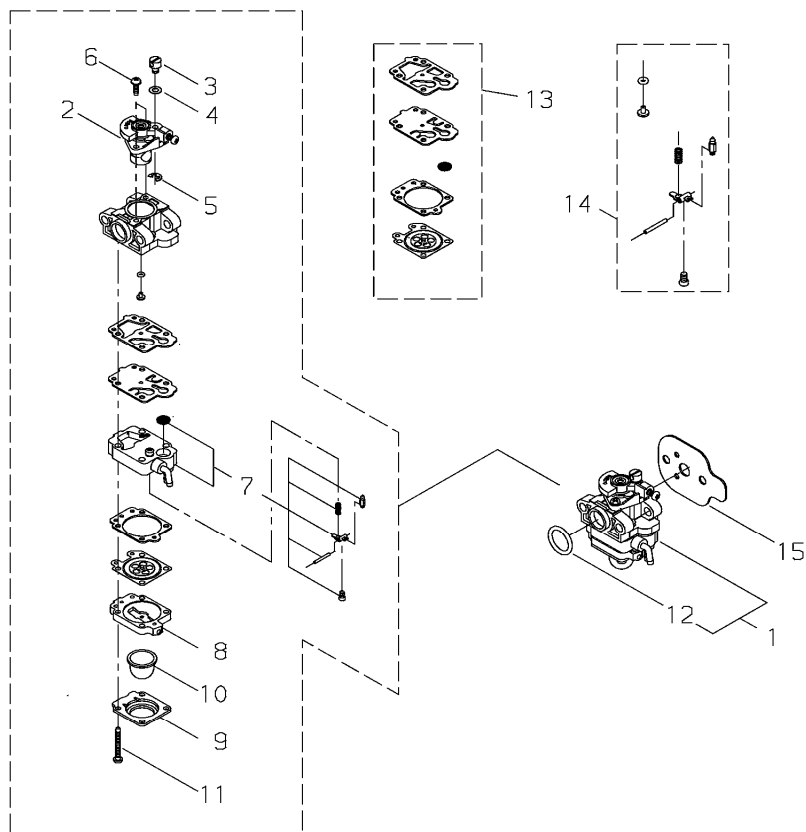
KEY	LV	PART NUMBER	Q'TY	DESCRIPTION	REMARKS	NOTE1	NOTE2
1		62905-71110	1	ROTOR			
2		02403-03100	1	KEY	3*10	3x10	
3		20035-71220	1	NUT			
4		62905-71310	1	COIL ASSY			
5	•	62905-71250	1	PLUG CAP			
6	•	62905-71320	1	COIL SPRING			
7		14350-02001	1	LEAD WIRE			
8		62901-71310	1	GROMMET			
9		70030-71620	2	INSULATOR			
10		11024-04265	2	BOLT-SLPW	M4*26	M4x26	
11		13001-10005	1	PLIG	NGK CMR5H	CMR5H	

8. RECOIL STARTER



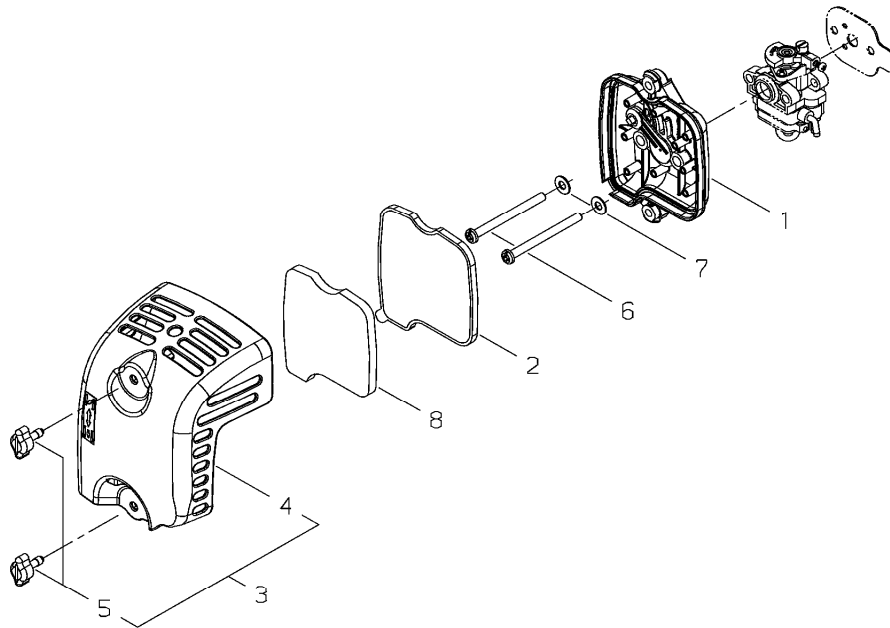
KEY	LV	PART NUMBER	Q'TY	DESCRIPTION	REMARKS	NOTE1	NOTE2
1		62901-75012	1	RECOIL STARTER ASSY			
2	•	62901-75111	1	STARTER CASE			
3	•	62901-75120	1	REEL			
4	•	70064-75130	1	RECOIL SPRING			
5	•	62901-75310	1	DOG			
6	•	70064-75150	1	WAVE WASHER			
7	•	72933-75160	1	SCREW			
8	•	72933-75170	1	RETAINER			
9	•	72933-75180	1	WASHER			
10	•	32004-75140	1	ROPE			
11	•	32004-75150	1	KNOB			
12		70064-75310	1	STARTER PULLEY			
13		01511-08051	1	NUT		M8	
14		11024-04160	2	BOLT SLPW		M4x16	
15		19420-00070	1	LABEL TRADE		shindaiwa、C4	

9. CARBURETOR



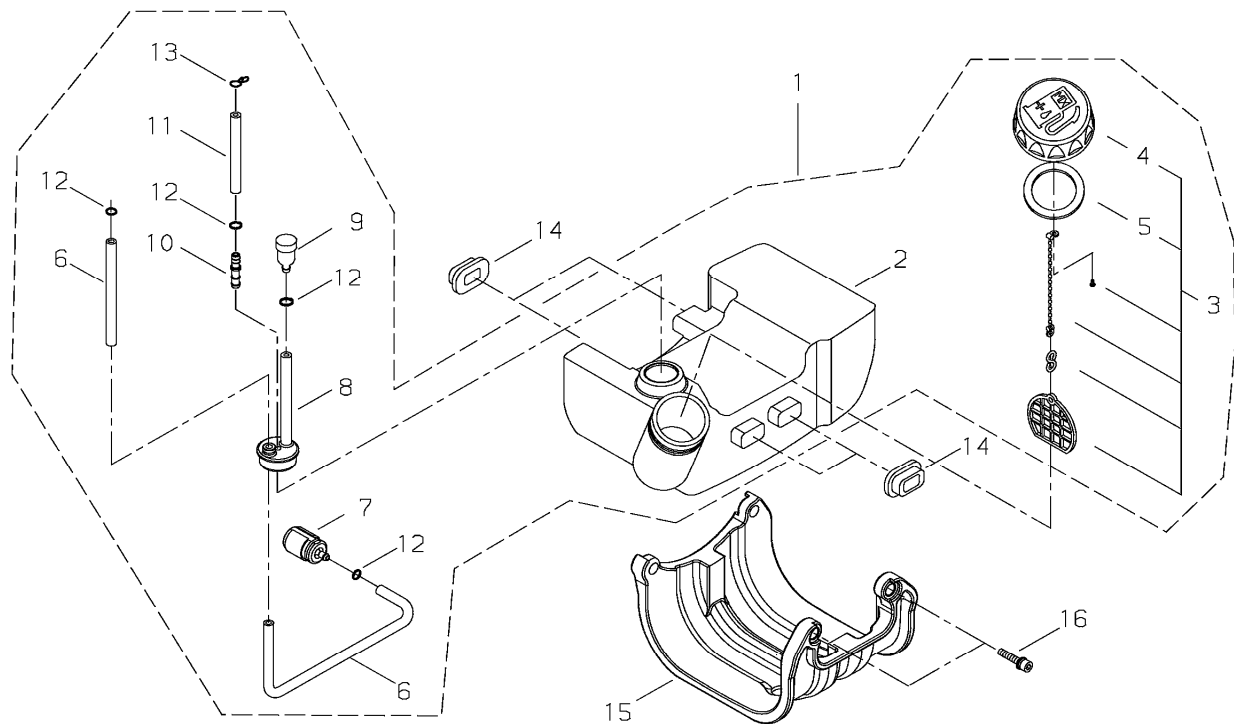
KEY	LV	PART NUMBER	Q'TY	DESCRIPTION	REMARKS	NOTE1	NOTE2
1		62908-81011	1	CARBURETOR ASSY			
2	•	62908-81311	1	VALVE			
3	•	72933-81450	1	SWIVEL			
4	•	20089-81185	1	WASHER			
5	•	20036-81195	1	E RING			
6	•	70064-81290	2	SCREW	M3*10		
7	•	37013-81350	1	PUMP BODY ASSY			
8	•	20016-81420	1	PUMP BASE COMP			
9	•	20016-81510	1	PUMP COVER			
10	•	20036-81670	1	PRIMER PUMP			
11	•	20016-81140	4	SCREW			
12	•	20016-81250	1	O RING			
13		60902-98030	1	GASKRT			
14		60908-98360	1	VALVE SET			
15		62901-81211	1	GASKET			

10. AIR CLEANER



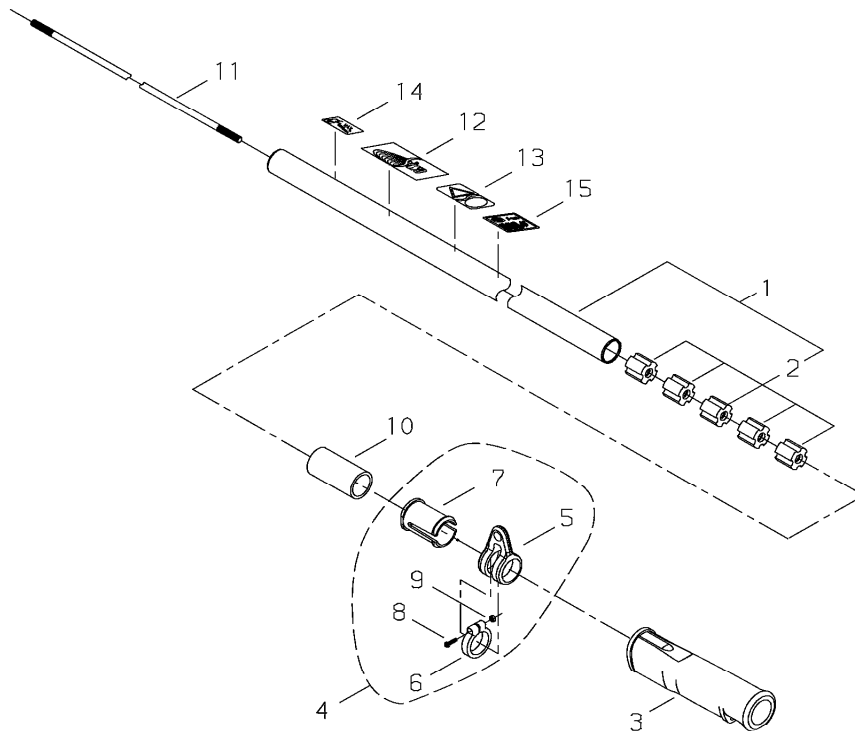
KEY	LV	PART NUMBER	Q'TY	DESCRIPTION	REMARKS	NOTE1	NOTE2
1		62908-82010	1	CLEANER BODY ASSY			
2		62908-82120	1	FILTER			
3		62908-82030	1	CLEANER COVER ASSY			
4	•	62908-82130	1	CLEANER COVER			
5	•	62901-82330	2	KNOB			
6		11203-05605	2	SCREW,PM		M5x60	
7		01613-05080	2	WASHER		5mm	
8		62908-82310	1	PREFILTER			

11. FUEL TANK



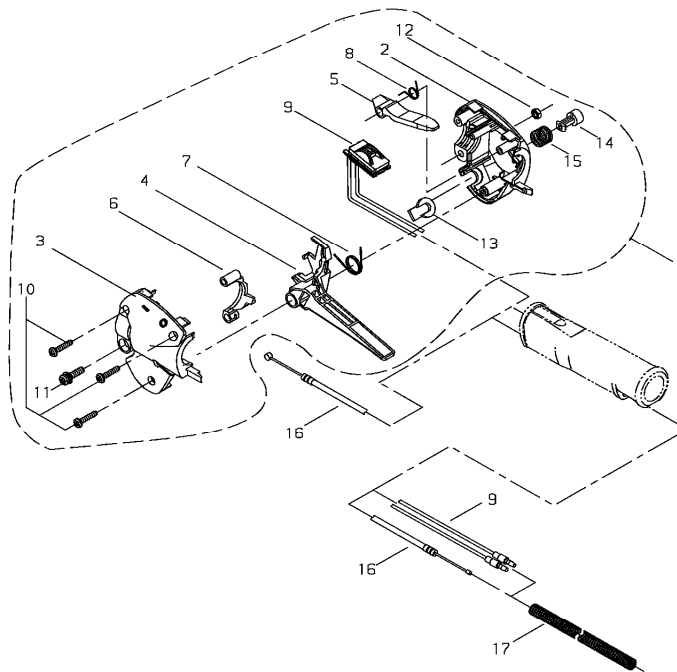
KEY	LV	PART NUMBER	Q'TY	DESCRIPTION	REMARKS	NOTE1	NOTE2
1		68906-85310	1	FUEL TANK ASSY			
2	•	62901-85110	1	FUEL TANK			
3	•	70168-85201	1	FUEL CAP ASSY			
4	• •	70168-85210	1	FUEL CAP			
5	• •	20000-85221	1	GASKET			
6	•	62901-85310	1	PIPE			
7	•	20016-85400	1	FUEL FILTER			
8	•	20112-85351	1	GROMMET			
9	•	22197-33960	1	VALVE			
10	•	72933-85620	1	JOINT			
11	•	68906-85320	1	PIPE			
12	•	20020-85540	4	CLIP			
13	•	37013-85310	1	CLIP			
14		62901-85220	4	TANK CUSHION			
15		62902-85320	1	TANK GUARD			
16		11022-05200	2	BOLT SPW		M5x20	

12. OUTER PIPE



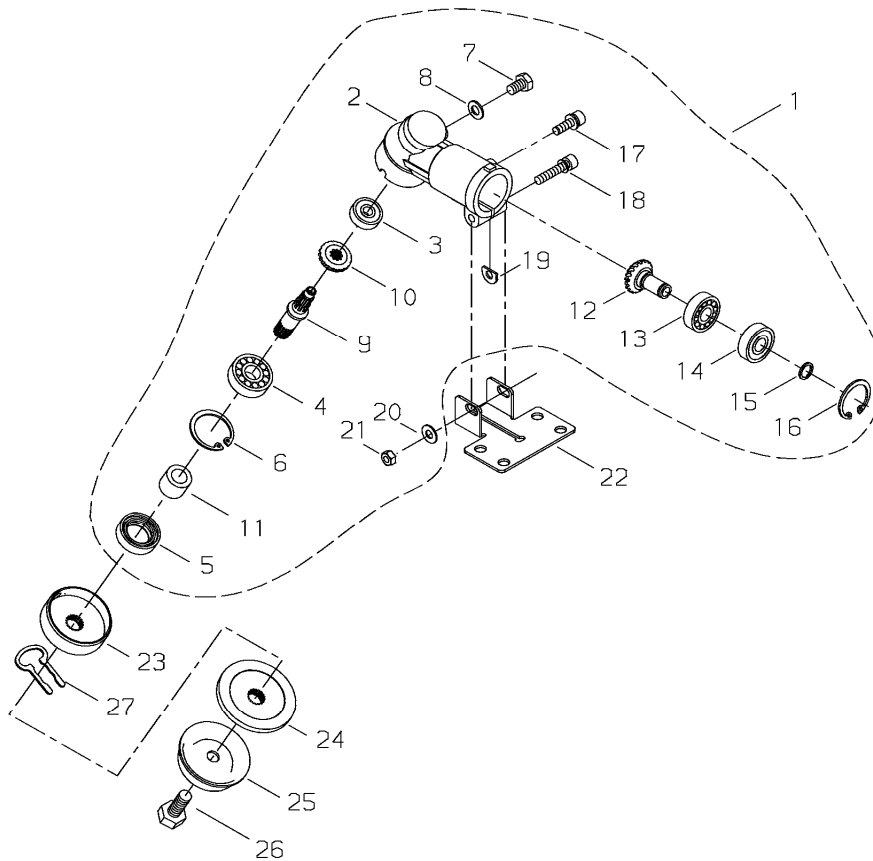
KEY	LV	PART NUMBER	Q'TY	DESCRIPTION	REMARKS	NOTE1	NOTE2
1		63901-62010	1	OUTER PIPE COMP			
2	•	22035-12121	5	BUSH			
3		63901-62142	1	GRIP			
4		33008-62340	1	HANGER ASSY			
5	•	33008-62151	1	HANGER			
6	•	33008-62311	1	CLAMP			
7	•	33008-62321	1	COLLAR			
8	•	11203-04160	1	SCREW PM		M4x16	
9	•	01500-04031	1	NUT		M4	
10		65006-62310	1	PROTECTOR			
11		22070-12410	1	MAIN SHAFT			
12		19420-00084	1	LABEL TRADE		shindaiwa,PROFES SIONAL	
13		19402-00090	1	LABEL CAUTION			
14		19402-00223	1	LABEL CAUTION		MAX 8500MIN-1	
15		19404-00036	1	LABEL DECIBEL		111dB(A)	

13. THROTTLE LEVER



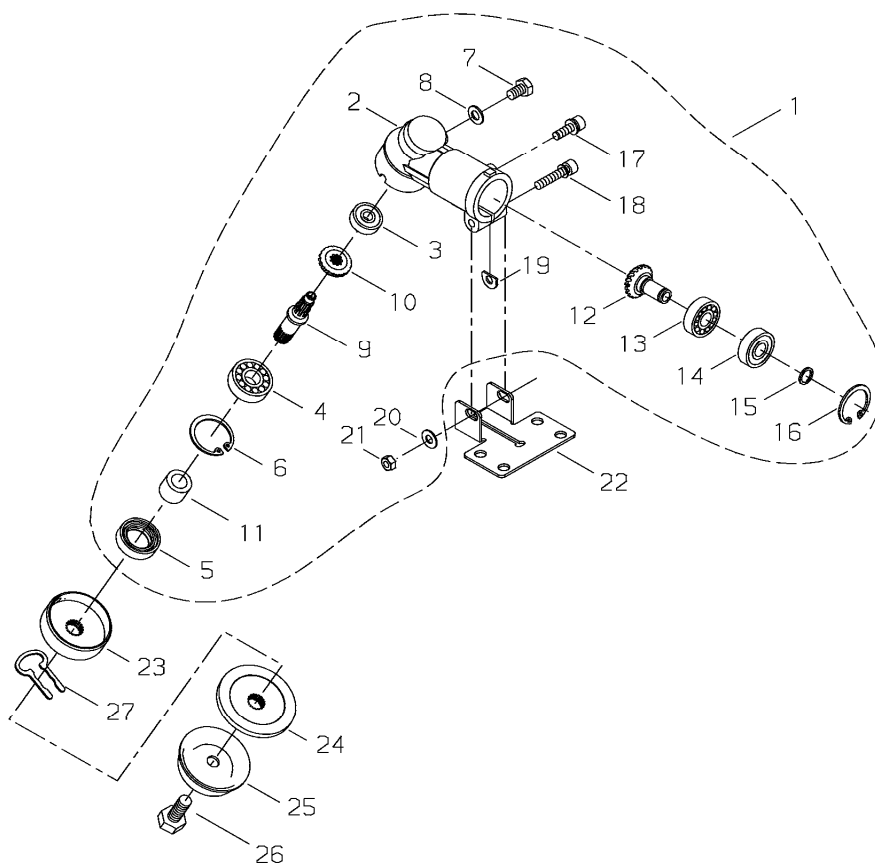
KEY	LV	PART NUMBER	Q'TY	DESCRIPTION	REMARKS	NOTE1	NOTE2
1		63904-62020	1	THROTTLE LEVER ASSY			
2	•	72549-62320	1	BODY RIGHT			
3	•	63002-62330	1	BODY LEFT			
4	•	63002-62340	1	LEVER			
5	•	63901-62352	1	LOCK LEVER			
6	•	63002-62350	1	HOLDER			
7	•	63880-65350	1	COIL SPRING			
8	•	63901-62370	1	COIL SPRING			
9	•	63901-62380	1	SWITCH			
10	•	63880-65360	3	SCREW TAPPING			
11	•	11206-05201	1	SCREW PM SPW			M5x20
12	•	01501-05030	1	NUT	M5		M5
13	•	63880-65411	1	PLUG			
14	•	70871-65170	1	BUTTON			
15	•	70871-65180	1	COIL SPRING			
16		63901-62173	1	THROTTLE CABLE			
17		63901-62440	1	TUBE			

14. GEAR CASE

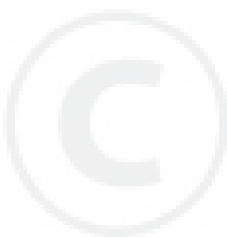


KEY	LV	PART NUMBER	Q'TY	DESCRIPTION	REMARKS	NOTE1	NOTE2
1		63901-63022	1	GEAR CASE SUB ASSY			
2	•	22035-13113	1	GEAR CASE			
3	•	02006-00626	1	BEARING		626DDU	
4	•	02000-06000	1	BEARING		6000	
5	•	22035-13140	1	OIL SEAL			
6	•	02432-26120	1	SNAP RING		26mm	
7	•	01014-06100	1	BOLT		M6x10	
8	•	22000-13410	1	GASKET			
9	•	22410-13210	1	GEAR SHAFT			
10	•	22035-13220	1	BEVEL GEAR			
11	•	22035-13230	1	COLLAR			
12	•	22035-13391	1	PINION SET			
13	•	02000-00608	1	BEARING		608	
14	•	02002-00608	1	BEARING	608ZZ	608ZZ	
15	•	22035-13340	1	SNAP RING			
16	•	02432-22100	1	SNAP RING		22mm C	
17	•	11022-05160	1	BOLT SPW		M5x16	
18	•	11022-05350	1	BOLT SPW		M5x35	
19	•	22000-13420	1	SHIM			
20	•	01613-05080	1	WASHER		5mm	
21	•	01500-05041	1	NUT	M5	M5	
22		72480-16130	1	LOWER CLAMP			
23		22035-13242	1	HOLDER A			
24		65011-63171	1	HOLDER			
25		37013-63311	1	BOLT GUARD			
26		22035-13271	1	BOLT			

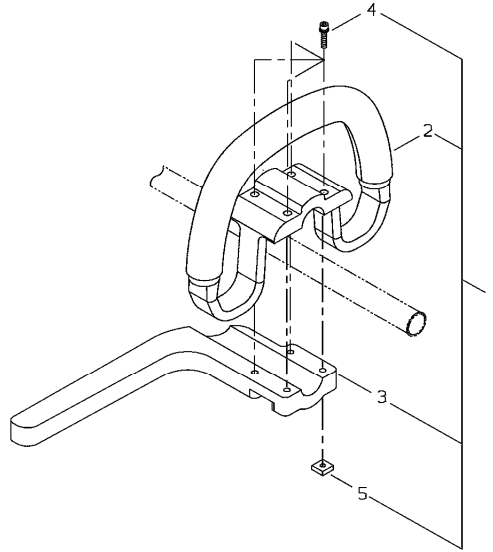
14. GEAR CASE



KEY	LV	PART NUMBER	Q'TY	DESCRIPTION	REMARKS	NOTE1	NOTE2
27		22410-13530	1	SLIDE CLIP			

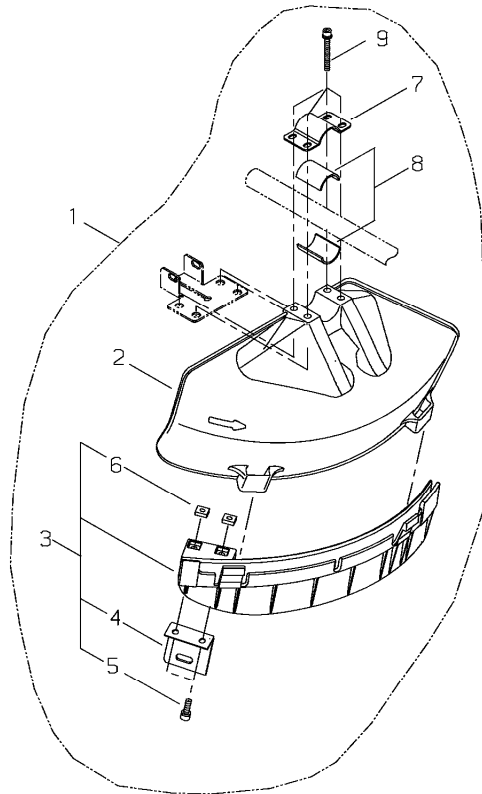


15. HANDLE



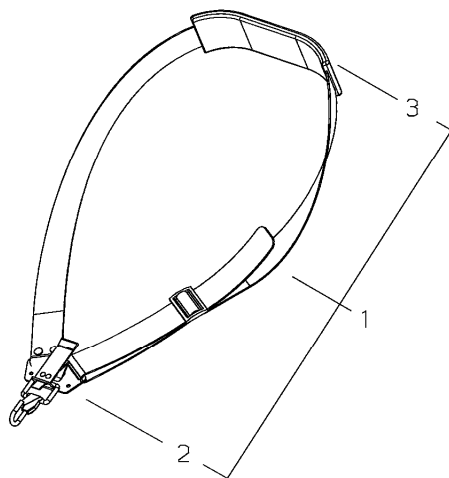
KEY	LV	PART NUMBER	Q'TY	DESCRIPTION	REMARKS	NOTE1	NOTE2
1		60904-98310	1	HANDLE ASSY			
2	•	62901-64113	1	HANDLE			
3	•	65011-64120	1	BARRIER			
4	•	11022-05350	4	BOLT SPW		M5x35	
5	•	22420-16120	4	NUT			

16. GUARD



KEY	LV	PART NUMBER	Q'TY	DESCRIPTION	REMARKS	NOTE1	NOTE2
1		62903-66322	1	GUARD SET			
2	▪	62903-66111	1	GUARD			
3	▪	62903-66332	1	SUB GUARD ASSY			
4	▪▪	72480-16121	1	CUTTER			
5	▪▪	11020-05160	2	BOLT SW		M5x16	
6	▪▪	22420-16120	2	NUT			
7	▪	72480-16210	1	UPPER CLAMP			
8	▪	72480-16220	2	SPACER			
9	▪	11022-05450	4	BOLT SPW		M5x45	

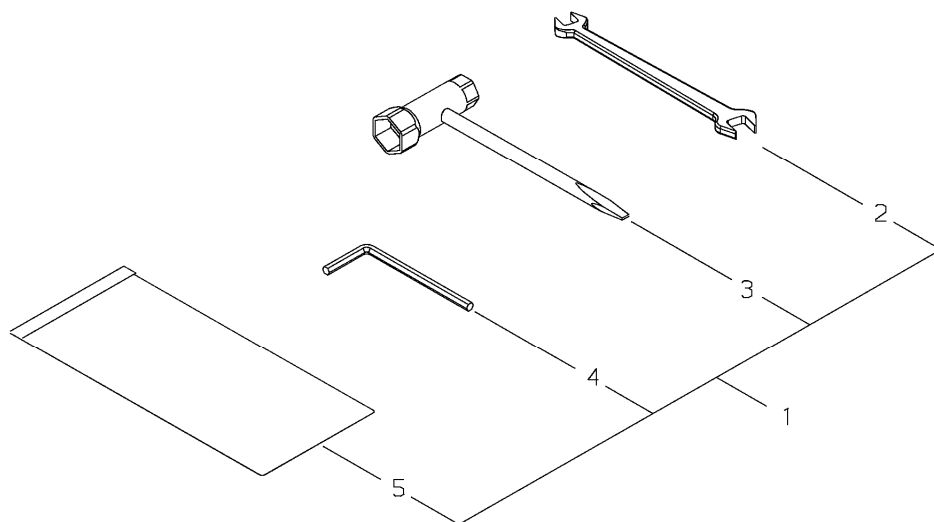
17. STRAP



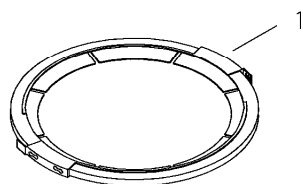
KEY	LV	PART NUMBER	Q'TY	DESCRIPTION	REMARKS	NOTE1	NOTE2
1		22421-17202	1	STRAP ASSY			
2	•	22421-17130	1	HOOK			
3	•	22007-17220	1	PROTECTOR			



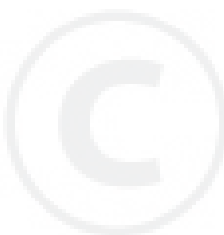
18. TOOL



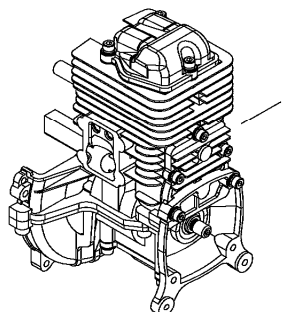
KEY	LV	PART NUMBER	Q'TY	DESCRIPTION	REMARKS	NOTE1	NOTE2
1		62901-92010	1	TOOL SET			
2	•	22000-91120	1	SPANNER			
3	•	22580-91180	1	PLUG WRENCH			
4	•	09026-04001	1	HEXA WRENCH	4MM M5ㄗ	4mm M5	
5	•	19639-01400	1	BAG,PACKING	140*200*T0.08	G-8 140*200*t0.08	

19. BLADE COVER

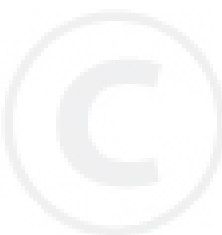
KEY	LV	PART NUMBER	Q'TY	DESCRIPTION	REMARKS	NOTE1	NOTE2
1		22550-92310	1	BLADE COVER			



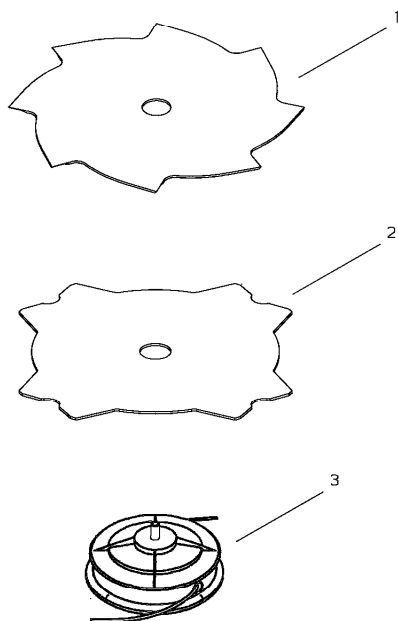
20. OPTION PARTS (ENGINE)



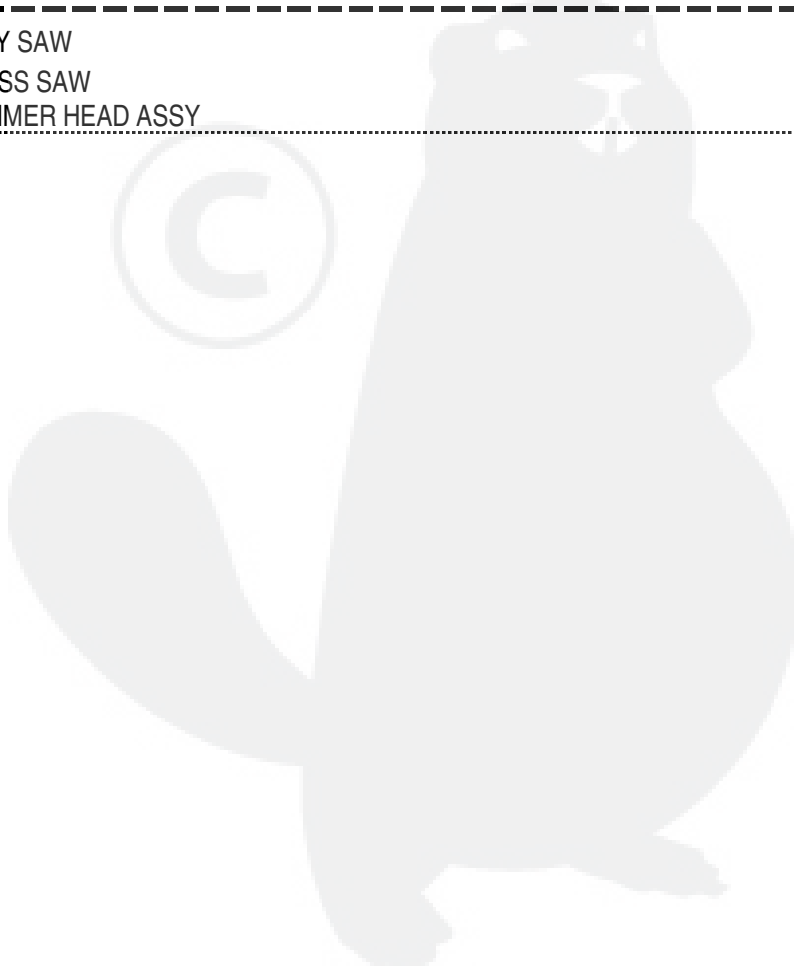
KEY	LV	PART NUMBER	Q'TY	DESCRIPTION	REMARKS	NOTE1	NOTE2
1		60908-98380	1	SHORT BLOCK			



21. OPTION PARTS (SHAFT)



KEY	LV	PART NUMBER	Q'TY	DESCRIPTION	REMARKS	NOTE1	NOTE2
1		60903-98310	1	EDDY SAW			
2		60903-98320	1	CROSS SAW			
3		67000-65010	1	TRIMMER HEAD ASSY			



Index

Patrs Number	Key No.	Patrs Number	Key No.	Patrs Number	Key No.
01014-06100	14 - 7	14350-01101	1 - 5	22550-92310	19 - 1
01020-05160	1 - 2	14350-02001	7 - 7	22580-91180	18 - 3
01020-05160	2 - 8	15401-10028	5 - 15	32004-75140	8 - 10
01020-05160	3 - 18	17520-08900	5 - 4	32004-75150	8 - 11
01211-03100	3 - 4	19402-00090	12 - 13	33008-62151	12 - 5
01280-04062	5 - 6	19402-00223	12 - 14	33008-62311	12 - 6
01500-04031	12 - 9	19404-00036	12 - 15	33008-62321	12 - 7
01500-05041	14 - 21	19420-00070	8 - 15	33008-62340	12 - 4
01501-05030	13 - 12	19420-00084	12 - 12	37013-63311	14 - 25
01501-06048	1 - 12	19420-00106	3 - 24	37013-81350	9 - 7
01511-08051	8 - 13	19639-01400	18 - 5	37013-85310	11 - 13
01610-05080	2 - 9	20000-85221	11 - 5	60902-98023	3 - 8
01613-05080	10 - 7	20016-81140	9 - 11	60902-98030	9 - 13
01613-05080	14 - 20	20016-81250	9 - 12	60903-98310	21 - 1
02000-00608	14 - 13	20016-81420	9 - 8	60903-98320	21 - 2
02000-06000	14 - 4	20016-81510	9 - 9	60904-98310	15 - 1
02002-00608	14 - 14	20016-85400	11 - 7	60908-98330	1 - 1
02002-06000	3 - 11	20020-85540	11 - 12	60908-98360	9 - 14
02006-00626	14 - 3	20035-71220	7 - 3	60908-98380	20 - 1
02403-03100	7 - 2	20036-81195	9 - 5	62100-31210	3 - 13
02432-22100	14 - 16	20036-81670	9 - 10	62901-12220	1 - 8
02432-26120	3 - 12	20087-31411	3 - 15	62901-12320	1 - 7
02432-26120	14 - 6	20087-51210	6 - 5	62901-15210	2 - 6
02432-40170	3 - 16	20087-51231	6 - 6	62901-15310	2 - 7
09026-04001	18 - 4	20089-81185	9 - 4	62901-21120	3 - 5
11020-05160	16 - 5	20112-85351	11 - 8	62901-21130	3 - 6
11020-05220	3 - 17	22000-13320	3 - 14	62901-21320	3 - 1
11022-04120	3 - 7	22000-13410	14 - 8	62901-31013	3 - 9
11022-04140	5 - 13	22000-13420	14 - 19	62901-31112	3 - 10
11022-04140	5 - 28	22000-91120	18 - 2	62901-32111	3 - 20
11022-05160	14 - 17	22007-17220	17 - 3	62901-32312	3 - 21
11022-05200	11 - 16	22035-12121	12 - 2	62901-42260	4 - 3
11022-05350	14 - 18	22035-13113	14 - 2	62901-42270	4 - 4
11022-05350	15 - 4	22035-13140	14 - 5	62901-43240	5 - 12
11022-05450	3 - 19	22035-13220	14 - 10	62901-43310	5 - 14
11022-05450	16 - 9	22035-13230	14 - 11	62901-43330	5 - 11
11024-04160	3 - 22	22035-13242	14 - 23	62901-44130	5 - 20
11024-04160	8 - 14	22035-13271	14 - 26	62901-44210	5 - 22
11024-04265	7 - 10	22035-13340	14 - 15	62901-44231	5 - 24
11203-04160	12 - 8	22035-13391	14 - 12	62901-44241	5 - 26
11203-05605	10 - 6	22070-12410	12 - 11	62901-44250	5 - 27
11204-04060	2 - 5	22100-71430	6 - 7	62901-51012	6 - 1
11206-05201	13 - 11	22197-33960	11 - 9	62901-51022	6 - 2
11206-05225	1 - 9	22410-13210	14 - 9	62901-51310	6 - 4
11620-10000	5 - 9	22410-13530	14 - 27	62901-64113	15 - 2
12492-40080	1 - 3	22420-16120	15 - 5	62901-71310	7 - 8
12492-50290	5 - 7	22420-16120	16 - 6	62901-75012	8 - 1
12492-50310	5 - 25	22421-17130	17 - 2	62901-75111	8 - 2
13001-10005	7 - 11	22421-17202	17 - 1	62901-75120	8 - 3

Index

Patrs Number	Key No.	Patrs Number	Key No.	Patrs Number	Key No.
62901-75310	8 - 5	63880-65360	13 - 10		
62901-81211	9 - 15	63880-65411	13 - 13		
62901-82330	10 - 5	63901-62010	12 - 1		
62901-83310	1 - 10	63901-62142	12 - 3		
62901-85110	11 - 2	63901-62173	13 - 16		
62901-85220	11 - 14	63901-62352	13 - 5		
62901-85310	11 - 6	63901-62370	13 - 8		
62901-92010	18 - 1	63901-62380	13 - 9		
62902-12310	1 - 4	63901-62440	13 - 17		
62902-12320	1 - 6	63901-63022	14 - 1		
62902-15131	2 - 3	63904-62020	13 - 1		
62902-41310	4 - 1	65006-62310	12 - 10		
62902-42020	4 - 2	65011-63171	14 - 24		
62902-43310	5 - 2	65011-64120	15 - 3		
62902-44111	5 - 16	67000-65010	21 - 3		
62902-44121	5 - 17	68906-85310	11 - 1		
62902-83310	1 - 11	68906-85320	11 - 11		
62902-85320	11 - 15	70030-71620	7 - 9		
62903-66111	16 - 2	70064-75130	8 - 4		
62903-66322	16 - 1	70064-75150	8 - 6		
62903-66332	16 - 3	70064-75310	8 - 12		
62905-43011	5 - 1	70064-81290	9 - 6		
62905-43131	5 - 5	70140-51113	6 - 3		
62905-71110	7 - 1	70168-85201	11 - 3		
62905-71250	7 - 5	70168-85210	11 - 4		
62905-71310	7 - 4	70871-65170	13 - 14		
62905-71320	7 - 6	70871-65180	13 - 15		
62907-15011	2 - 1	72320-83121	3 - 2		
62907-15111	2 - 2	72320-83132	3 - 3		
62907-15161	2 - 4	72480-16121	16 - 4		
62907-43120	5 - 3	72480-16130	14 - 22		
62907-43210	5 - 8	72480-16210	16 - 7		
62907-44010	5 - 21	72480-16220	16 - 8		
62907-44220	5 - 23	72549-62320	13 - 2		
62908-43220	5 - 10	72933-75160	8 - 7		
62908-44140	5 - 18	72933-75170	8 - 8		
62908-44310	5 - 19	72933-75180	8 - 9		
62908-81011	9 - 1	72933-81450	9 - 3		
62908-81311	9 - 2	72933-85620	11 - 10		
62908-82010	10 - 1				
62908-82030	10 - 3				
62908-82120	10 - 2				
62908-82130	10 - 4				
62908-82310	10 - 8				
62910-91320	3 - 23				
63002-62330	13 - 3				
63002-62340	13 - 4				
63002-62350	13 - 6				
63880-65350	13 - 7				

YAMABIKO CORPORATION

7-2 SUEHIROCHO 1-CHOME, OHME, TOKYO 198-8760, JAPAN
PHONE: 81-428-32-6118. FAX: 81-428-32-6145.

shindaiwa[®]



EC2
No.