

shindaiwa[®]

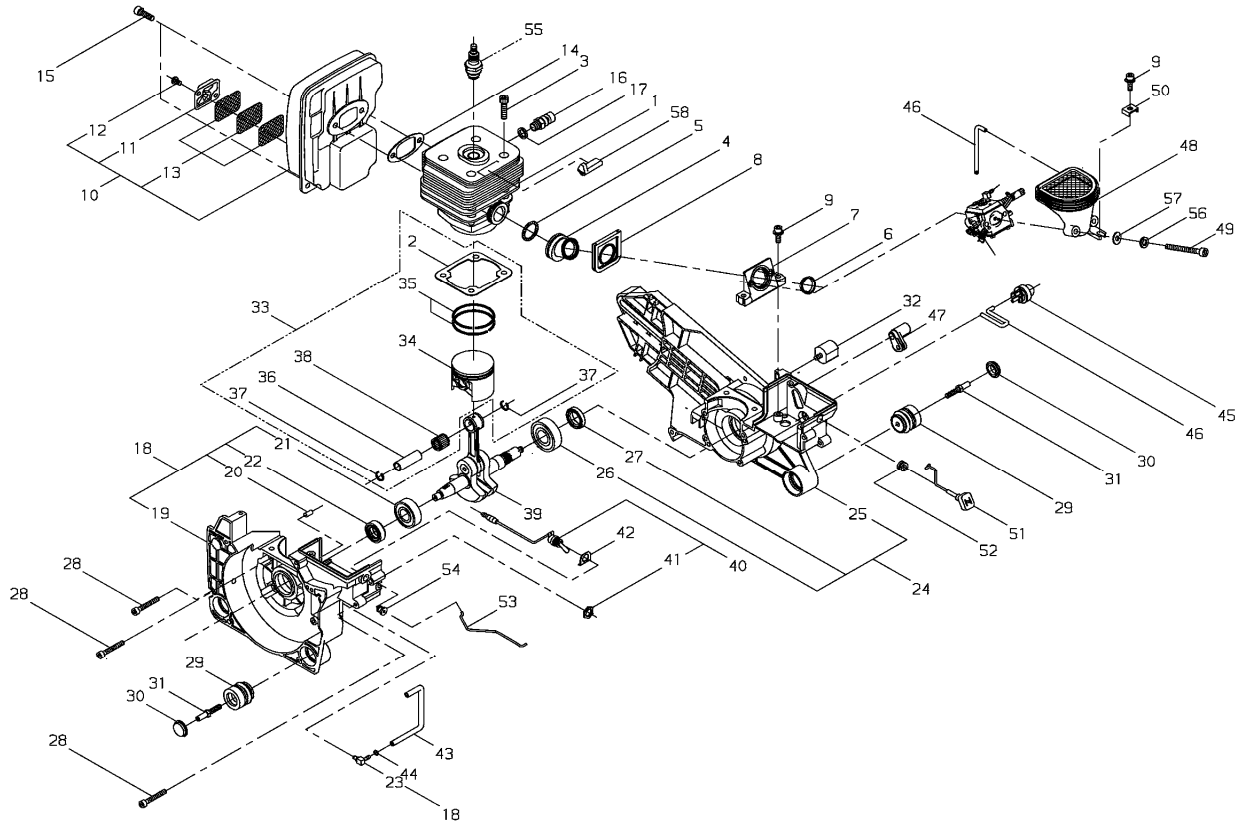
PARTS CATALOG

**ENGINE CUTTER
EC7600W EC1**



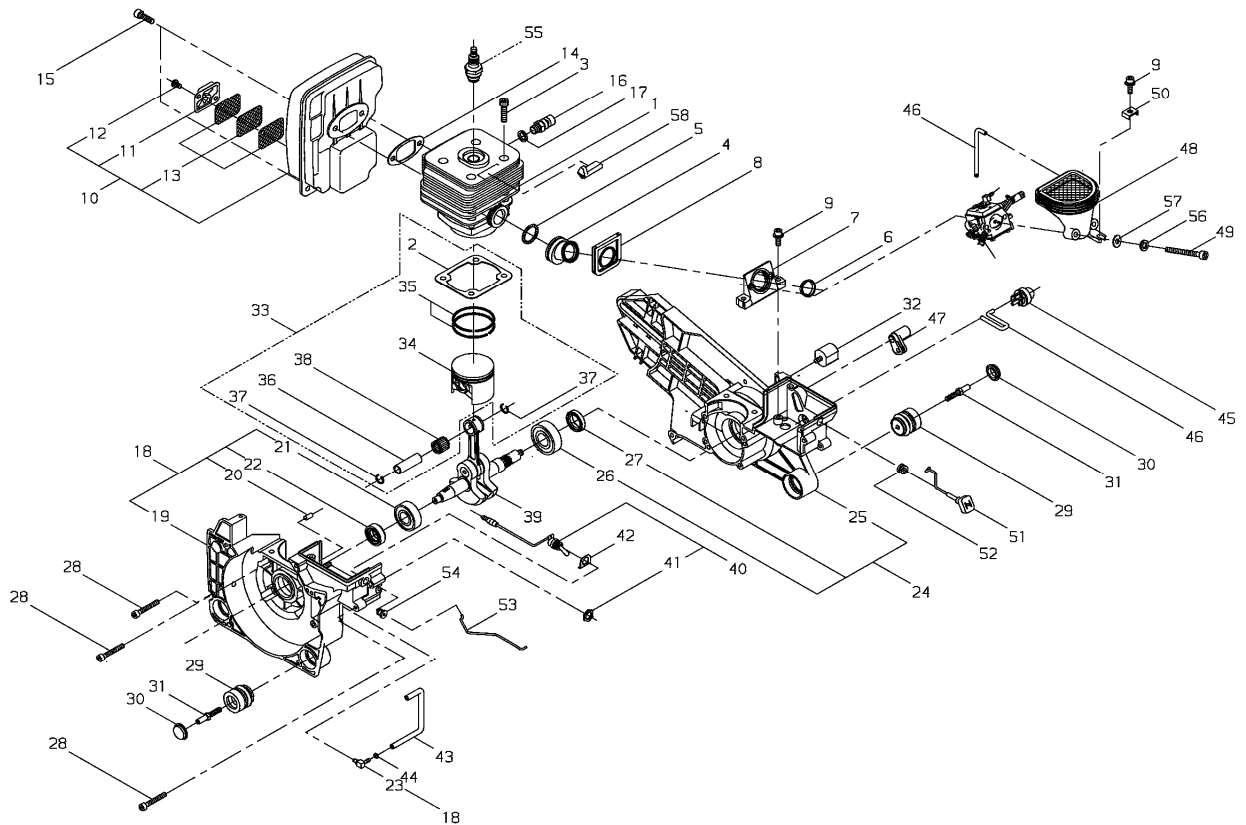
EC7600W EC1

1. ENGINE



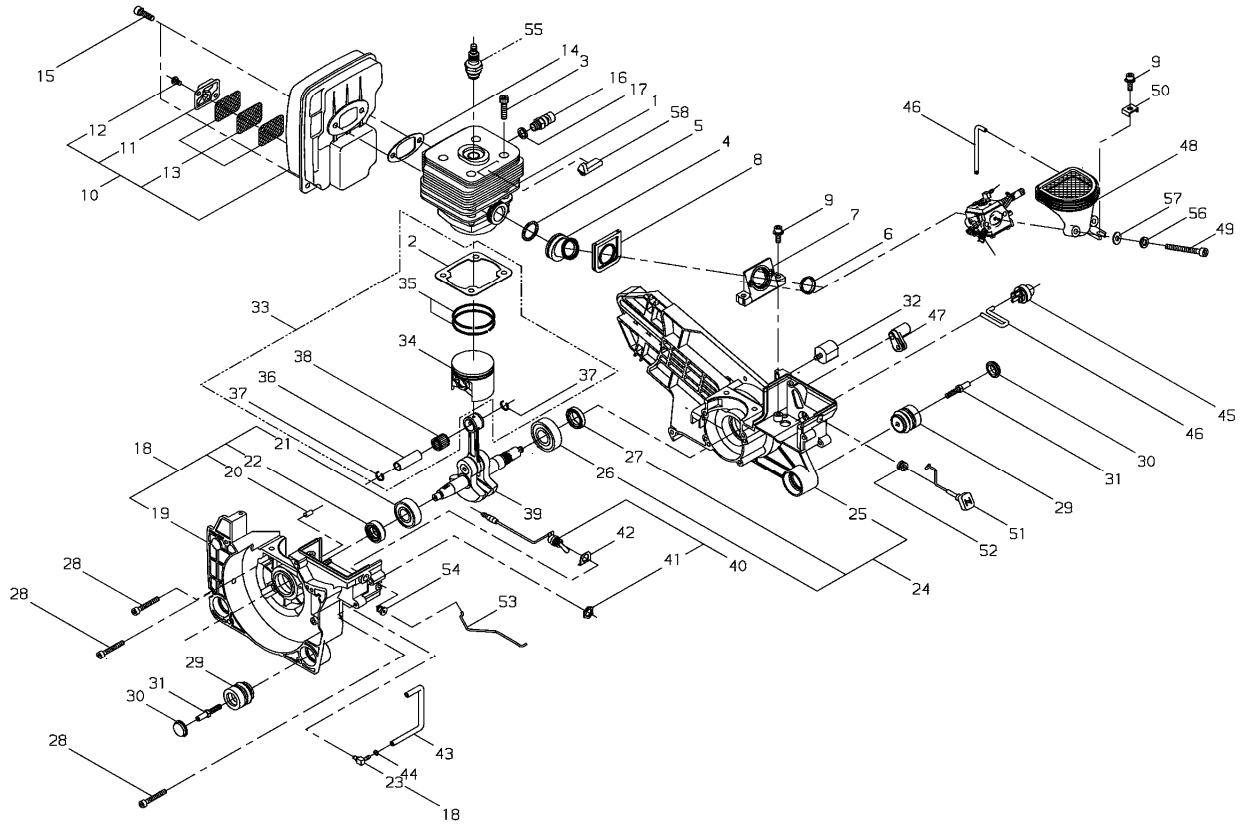
KEY	LV	PART NUMBER	Q'TY	DESCRIPTION	REMARKS	NOTE1	NOTE2
1		38010-12112	1	CYLINDER			
2	▪	38010-12120	1	GASKET			
3		22169-12190	4	BOLT		M6x25	
4		38010-12210	1	BOOTS			
5		22182-12160	1	SPRING			
6		22150-12170	1	SLEEVE			
7		38010-12220	1	BRACKET			
8		38010-12230	1	SEAL			
9		11060-05141	3	BOLT ADHESIVE		M5x14	
10		38010-15010	1	MUFFLER ASSY			
11	▪	38010-15140	1	TAIL PLATE			
12	▪	11203-05080	2	SCREW PM		M5x8	
13	▪	68006-15130	3	SCREEN			
14		38010-15210	1	GASKET			
15		11060-06200	4	BOLT ADHESIVE		M6x20	
16		38010-16110	1	DECOMPRESSION			
17		22173-16160	1	GASKET			
18		68000-21012	1	CRANK CASE M COMP			
19	▪	68000-21112	1	CRANK CASE M			
20	▪	12492-50100	2	ROLLER			
21	▪	02030-06202	1	BEARING		6202	
22	▪	22155-21630	1	OIL SEAL			
23		22150-21220	1	PULSE JOINT			
24		38010-21021	1	CRANK CASE C COMP			
25	▪	38010-21211	1	CRANK CASE C			
26	▪	02030-06203	1	BEARING		6203	

1. ENGINE



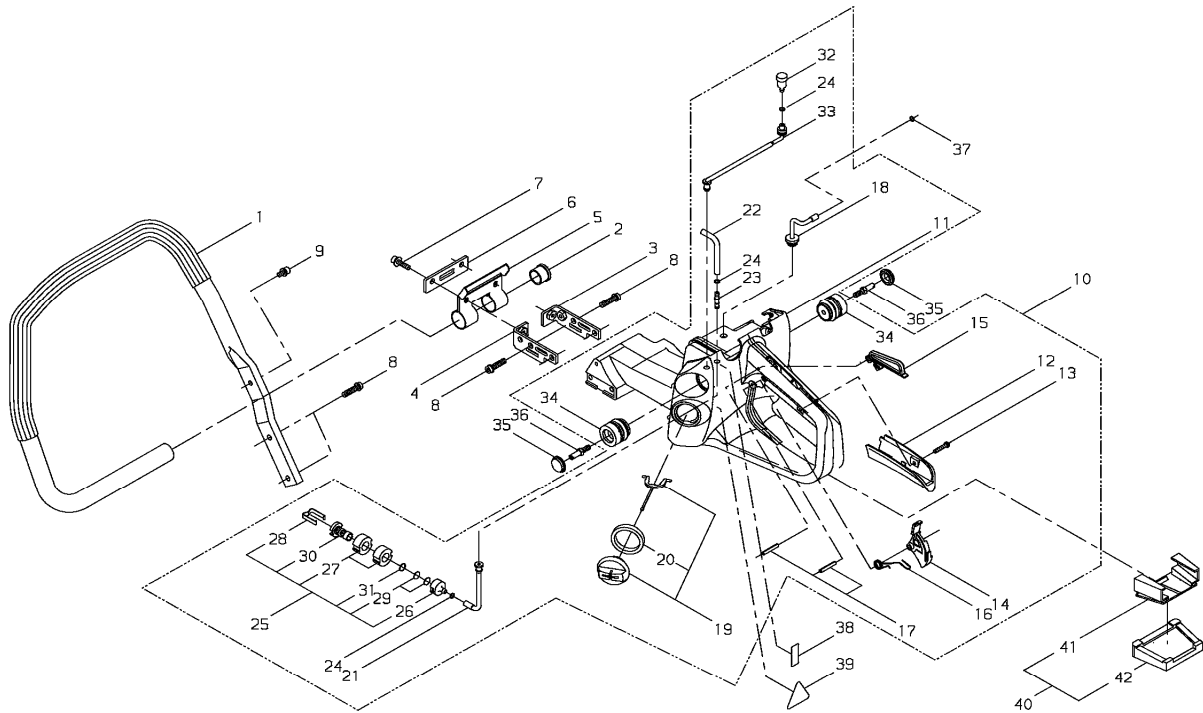
KEY	LV	PART NUMBER	Q'TY	DESCRIPTION	REMARKS	NOTE1	NOTE2
27	•	22169-21630	1	OIL SEAL			
28		22169-21910	6	BOLT		M5x35	
29		72330-33710	4	CUSHION 26			
30		22150-33720	4	PLUG 26			
31		22169-33770	4	STOPPER BOLT			
32		20050-87160	1	CUSHION			
33		68004-98311	1	PISTON ASSY			
34	•	38010-41110	1	PISTON			
35	•	22169-41210	2	PISTON RING			
36	•	22169-41220	1	PISTON PIN			
37	•	22155-41230	2	SNAP RING			
38	•	22155-41281	1	BEARING SE			
39		38010-42012	1	CRANK SHAFT			
40		68000-71340	1	SWITCH ASSY			
41	•	22154-22130	1	NUT			
42		68000-71330	1	SWITCH PLATE			
43		22155-82111	1	PULSE PIPE			
44		22150-82140	1	CLIP,PULSE			
45		123181-39130	1	PUMP, PRIMER			
46		38010-81341	2	PIPE			
47		38010-81440	1	GROMMET CABURETOR			
48		38010-82470	1	ELBOW			
49		01020-05600	2	BOLT		M5x60	
50		38010-82420	1	PLATE			
51		38010-83310	1	CHOKE ROD			
52		22150-33410	1	GROMMET CHOKE			

1. ENGINE



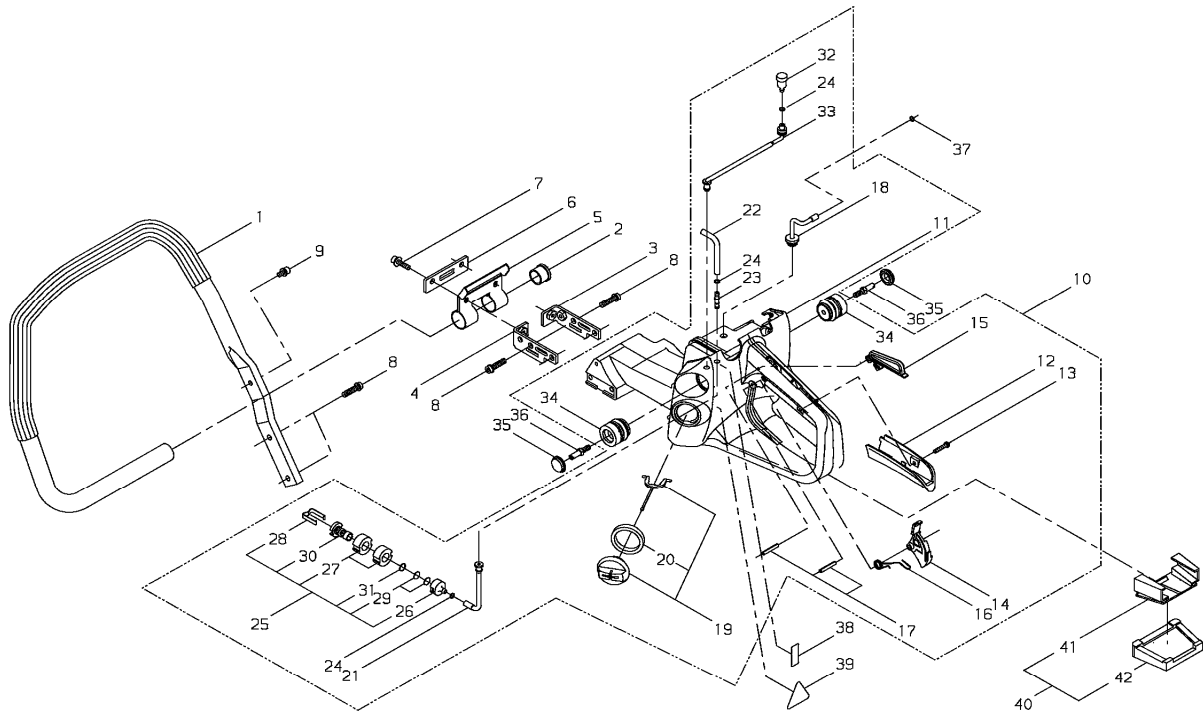
KEY	LV	PART NUMBER	Q'TY	DESCRIPTION	REMARKS	NOTE1	NOTE2
53		38010-83321	1	THROTTLE ROD			
54		38010-83330	1	GROMMET			
55		13000-13507	1	SPARK PLUG BPMR7A		BPMR7A	
56		01600-05131	2	SPRING WASHER		Φ5	
57		01613-05080	2	WASHER		Φ5	
58		38020-12310	1	EDGE RUBBER			

2. REAR HANDLE



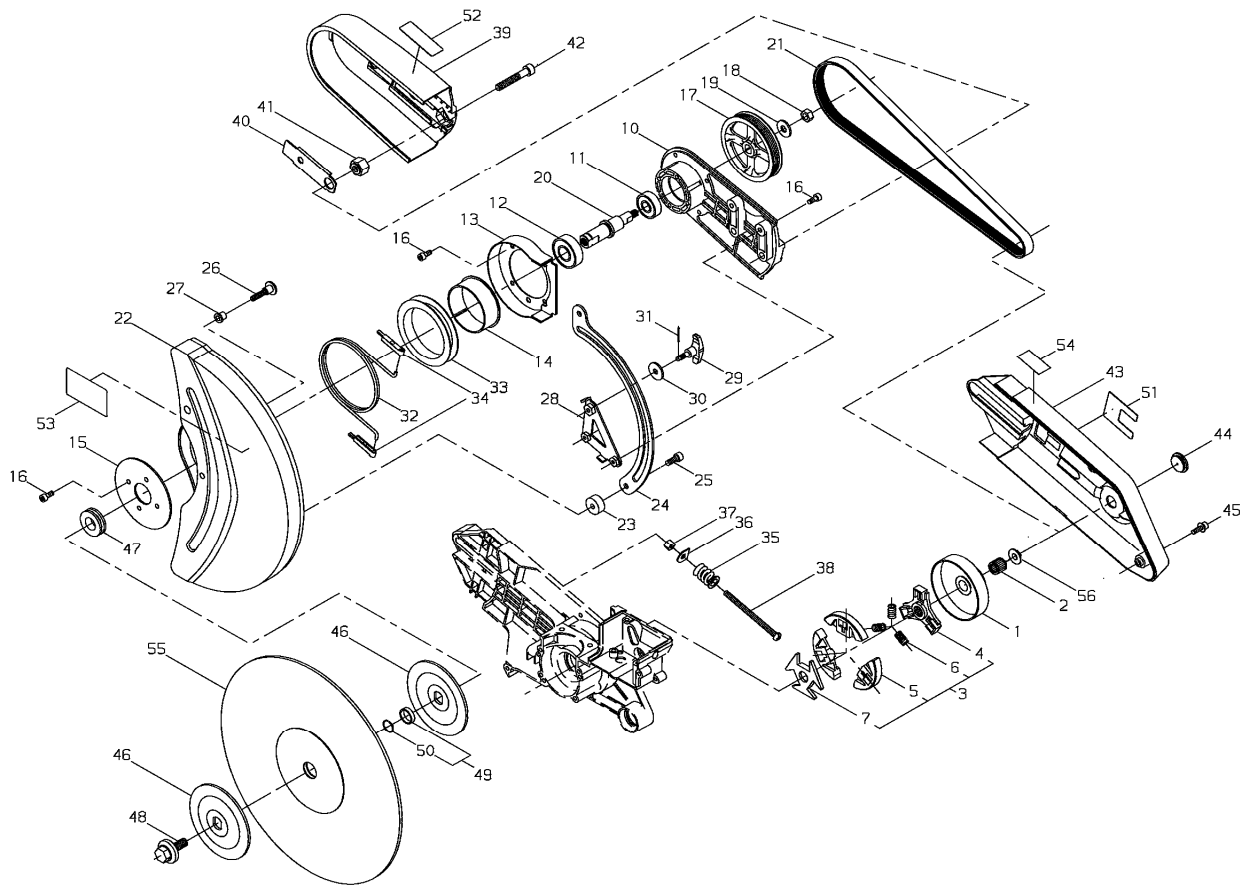
KEY	LV	PART NUMBER	Q'TY	DESCRIPTION	REMARKS	NOTE1	NOTE2
1		38010-32110	1	FRONT HANDLE			
2		38010-32440	1	CAP			
3		38010-32460	1	BRACKET RIGHT			
4		38010-32470	1	BRACKET LEFT			
5		38010-32330	1	BRACKET			
6		38010-32480	1	PLATE			
7		11060-05204	2	BOLT ADHESIVE		M5x20	
8		22169-32220	6	BOLT PC		φ6x23	
9		11022-05100	1	BOLT SPW		M5x10	
10		38010-32025	1	REAR HANDLE ASSY			
11	▪	38010-32211	1	REAR HANDLE			
12	▪	22182-33230	1	GRIP			
13	▪	01280-04222	1	SCREA TAPPING		4x22	
14	▪	22182-33326	1	TRIGGER, THROTTLE			
15	▪	22182-33332	1	LOCKOUT, THROTTLE			
16	▪	22182-33340	1	SPRING, TORSION			
17	▪	12420-40255	2	SPRING PIN		φ4x25	
18	▪	38010-32371	1	PIPE			
19	▪	38010-32041	1	CAP ASSY			
20	▪ ▪	38010-32271	1	GASKET			
21	▪	38010-32381	1	PIPE			
22	▪	38010-32390	1	PIPE			
23	▪	72933-85620	1	JOINT			
24	▪	20020-85540	3	CLIP			
25	▪	38010-32420	1	FUEL FILTER SUB ASSY			
26	▪ ▪	22128-85410	1	FUEL LINE WEIGHT			

2. REAR HANDLE



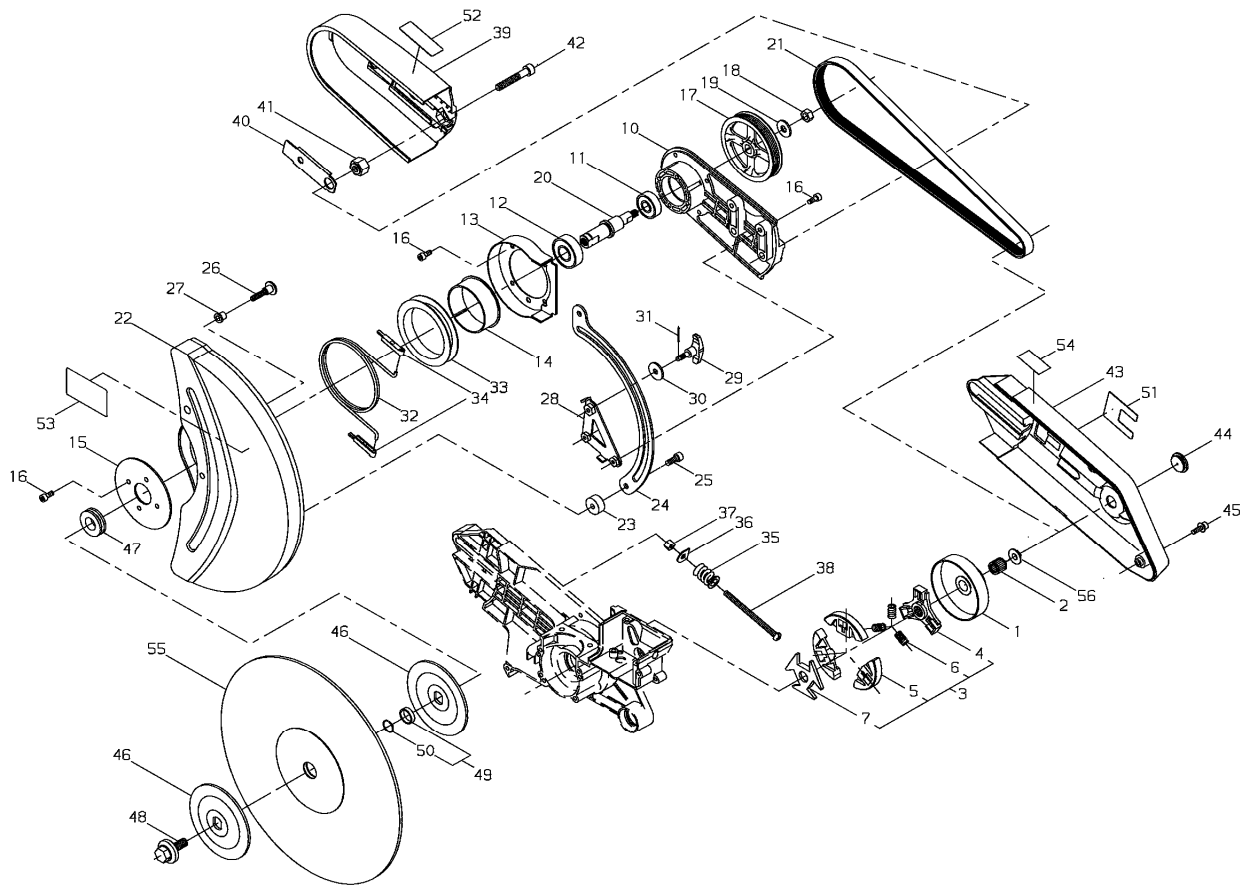
KEY	LV	PART NUMBER	Q'TY	DESCRIPTION	REMARKS	NOTE1	NOTE2
27	• •	38010-32430	2	FILTER			
28	• •	22128-85440	1	CLIP FILTER			
29	• •	22118-85460	2	ELEMENT			
30	• •	22128-85470	1	SLEEVE			
31	• •	22128-85480	1	RING			
32	•	20800-33910	1	VALVE			
33	•	38010-32412	1	PIPE			
34	•	72330-33710	2	CUSHION 26			
35		22150-33720	2	PLUG 26			
36		22150-33770	2	STOPPER BOLT 26			
37		20020-85540	1	CLIP			
38		19401-00256	1	LABEL INST			
39		19402-00221	1	LABEL CAUTION			
40		38010-32501	1	RUBBER FOOT COMP			
41	•	38010-32511	1	HOLDER			
42	•	38010-32520	1	RUBBER FOOT			

3. CUTTER



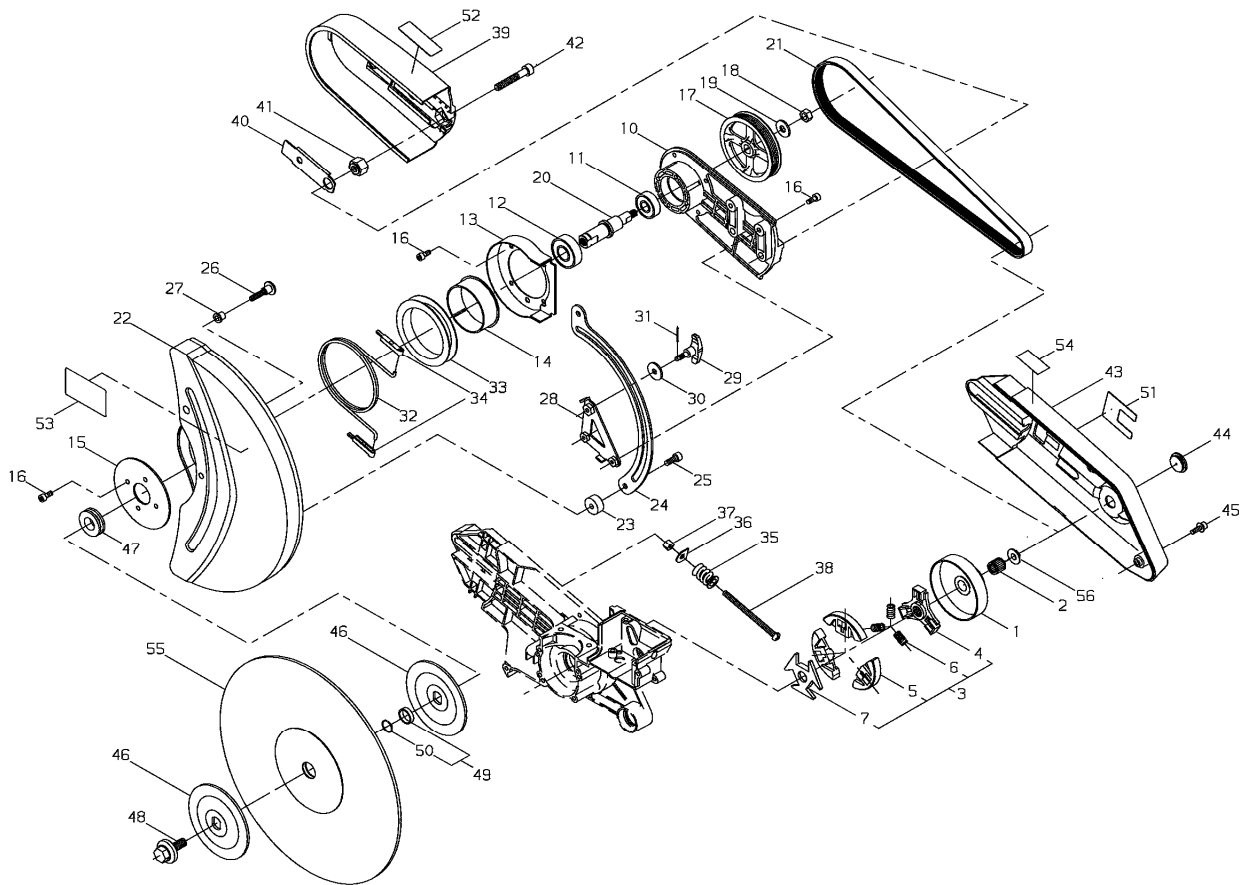
KEY	LV	PART NUMBER	Q'TY	DESCRIPTION	REMARKS	NOTE1	NOTE2
1		38010-51110	1	CLUTCH DRUM		EC7500	
1		38011-51110	1	CLUTCH DRUM		EC7600	
2		38010-51320	1	NEEDLE BEARING			
3		22169-51200	1	CLUTCH ASSY			
4		22169-51210	1	CLUTCH BOSS A			
5		22169-51220	3	CLUTCH SHOE			
6		22150-51230	3	CLUTCH SPRING			
7		22169-51240	1	CLUTCH BOSS B			
10		38010-63110	1	BEARING CASE			
11		02006-06201	1	BEARING		6201DDU	
12		02006-06203	1	BEARING		6203DDU	
13		38010-63330	1	SPRING PLATE			
14		38010-63310	1	SLIDE RING			
15		38010-63320	1	BEARING PLATE			
16		01020-05160	10	BOLT	M5*16 BLACK	M5x16	
17		38010-64111	1	DRIVE PULLEY			
18		01500-08061	1	NUT		M8	
19		15401-20007	1	COLLAR			
20		38010-64120	1	DRIVE SHAFT			
21		38010-64131	1	DRIVE BELT			
22		38010-65112	1	WHEEL GUARD		EC7500	
22		38011-65112	1	WHEEL GUARD		EC7600	
23		15401-20101	2	COLLAR			
24		68002-65330	1	SLIDE PLATE			
25		01020-06200	2	BOLT		M6x20	
26		20087-51210	2	BOLT			

3. CUTTER



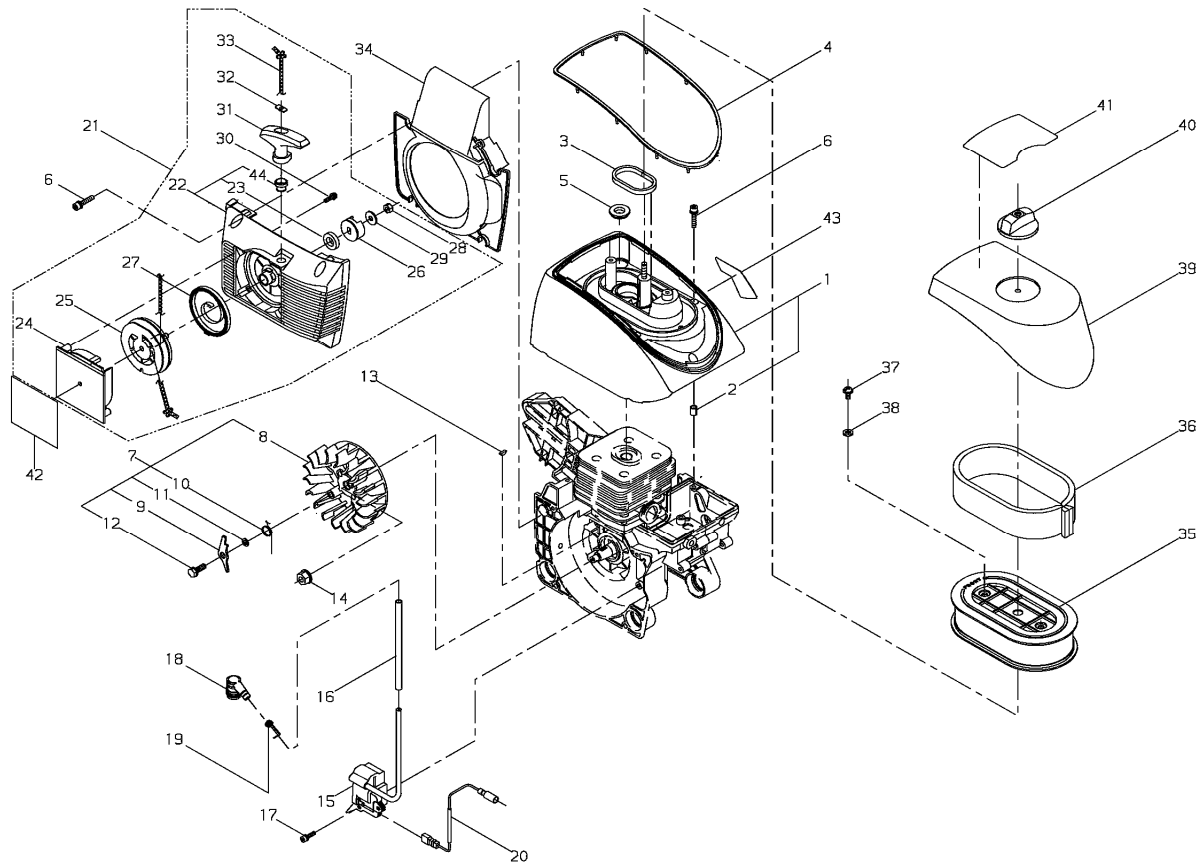
KEY	LV	PART NUMBER	Q'TY	DESCRIPTION	REMARKS	NOTE1	NOTE2
27		15401-00008	2	COLLAR			
28		38010-65330	1	LOCK PLATE			
29		68002-65341	1	KNOB			
30		15401-20008	1	COLLAR			
31		02427-20125	1	PIN		Φ2.0×12	
32		17520-98200	1	COIL SPRING			
33		38010-65360	1	SPRING GUIDE			
34		38010-65370	2	SPRING HOLDER			
35		17500-17500	1	COIL SPRING			
36		38010-66330	1	WASHER			
37		38010-66310	1	NUT			
38		11203-06908	1	SCREW ADHESIVE		M6×90	
39		38010-67310	1	PULLEY COVER			
40		38010-67320	1	TENSION PLATE			
41		38010-67330	1	TENSION BLOCK			
42		01020-08500	2	BOLT		M8×50	
43		38010-67341	1	CLUTCH COVER			
44		38010-67351	1	PLUG			
45		11060-05141	2	BOLT ADHESIVE		M5×14	
46		38010-68110	2	INNER FLANGE			
47		15401-21022	1	COLLAR			
48		38010-68130	1	FLANGE BOLT			
49		38010-98071	1	COLLAR SET		φ20	
50		68000-69310	1	SNAP RING			
51		38010-91030	1	LABEL TRADE		EC7500	
51		38011-91030	1	LABEL TRADE		EC7600	

3. CUTTER



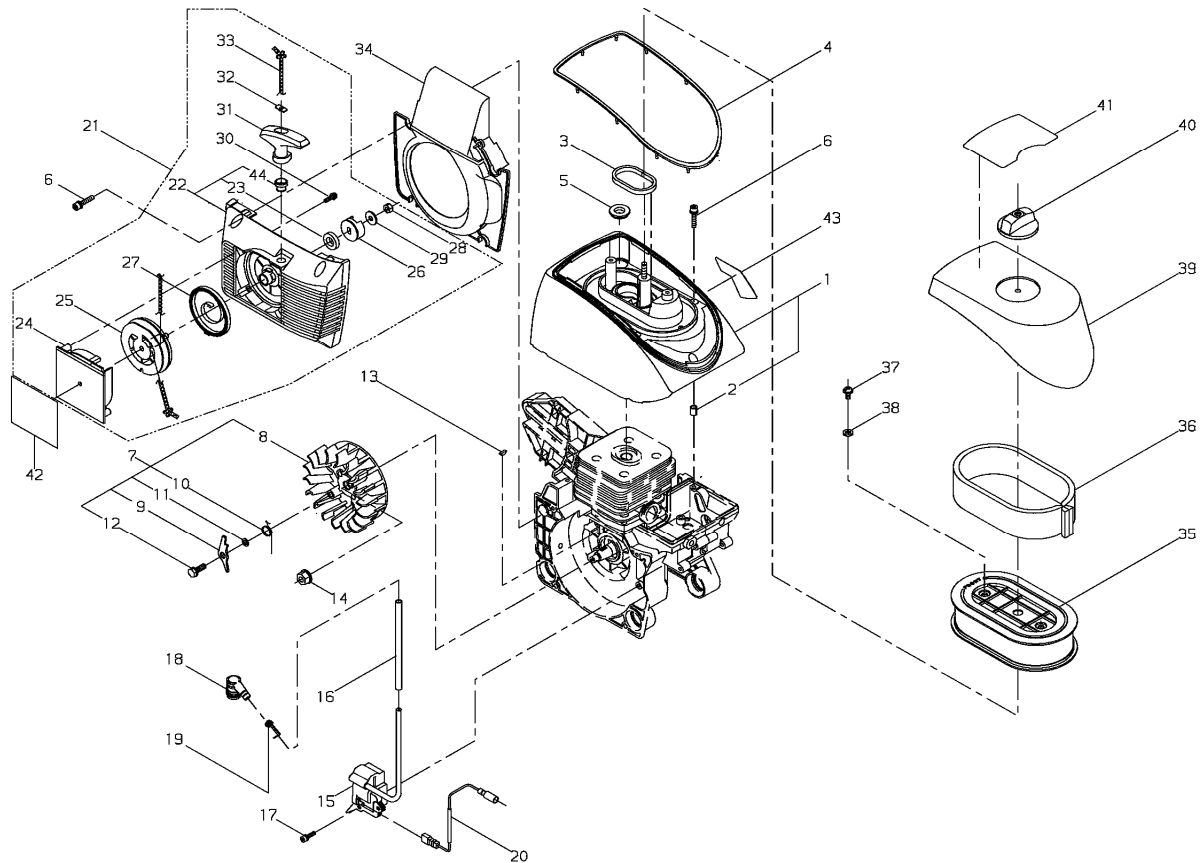
KEY	LV	PART NUMBER	Q'TY	DESCRIPTION	REMARKS	NOTE1	NOTE2
52		19401-00254	1	LABEL INST			
53		19402-00219	1	LABEL CAUTION		EC7500	
53		19402-00220	1	LABEL CAUTION		EC7600	
54		19405-00006	1	LABEL ARROW			
55		18647-30501	1	GC-GR WHEEL		EC7500 12"	
55		18607-35502	1	GC-GR WHEEL		EC7600 14"	
56		38010-51330	1	NUT		M8	

4. COVER



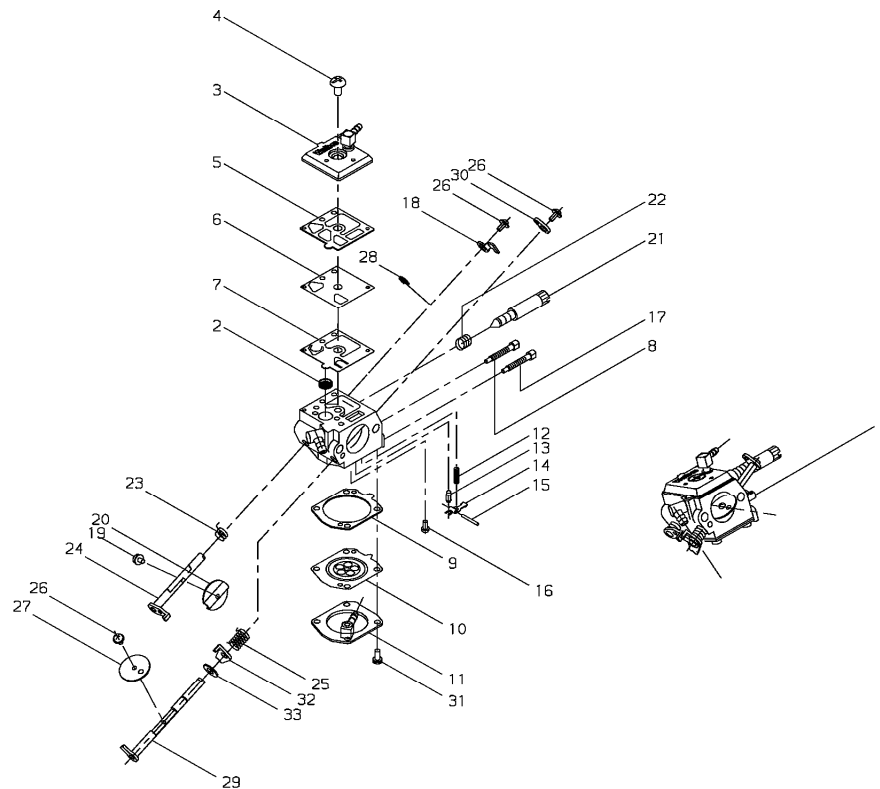
KEY	LV	PART NUMBER	Q'TY	DESCRIPTION	REMARKS	NOTE1	NOTE2
1		38010-31111	1	CYLINDER COVER			
2	•	17901-06100	4	COLLAR			
3		38010-31311	1	SEAL			
4		38010-31321	1	SEAL SEAT			
5		38010-67351	1	PLUG			
6		22160-31150	8	BOLT SW		M5x25	
7		38010-71011	1	ROTOR ASSY			
8	•	38010-71112	1	ROTOR			
9	•	38010-71120	2	RATCHET			
10	•	17520-14801	2	COIL SPRING			
11	•	15401-10030	2	COLLAR			
12	•	22100-71441	2	BOLT			
13		02403-03100	1	KEY	3*10		
14		22169-71460	1	NUT		M8x1.0	
15		38010-71212	1	COIL			
16		38010-71320	1	TUBE			
17		11022-04160	2	BOLT SPW		M4x16	
18		38010-71330	1	PLUG CAP			
19		22154-72230	1	TERMINAL, SPARKPLUG			
20		14352-01700	1	LEAD WIRE			
21		38010-75011	1	RECOIL STARTER ASSY			
22	•	38010-75310	1	RECOIL CASE			
23	• •	38010-75320	1	OIL SEAL			
24		38010-75330	1	COVER			
25		38010-75341	1	REEL			
26		38010-75410	1	DRUM			

4. COVER



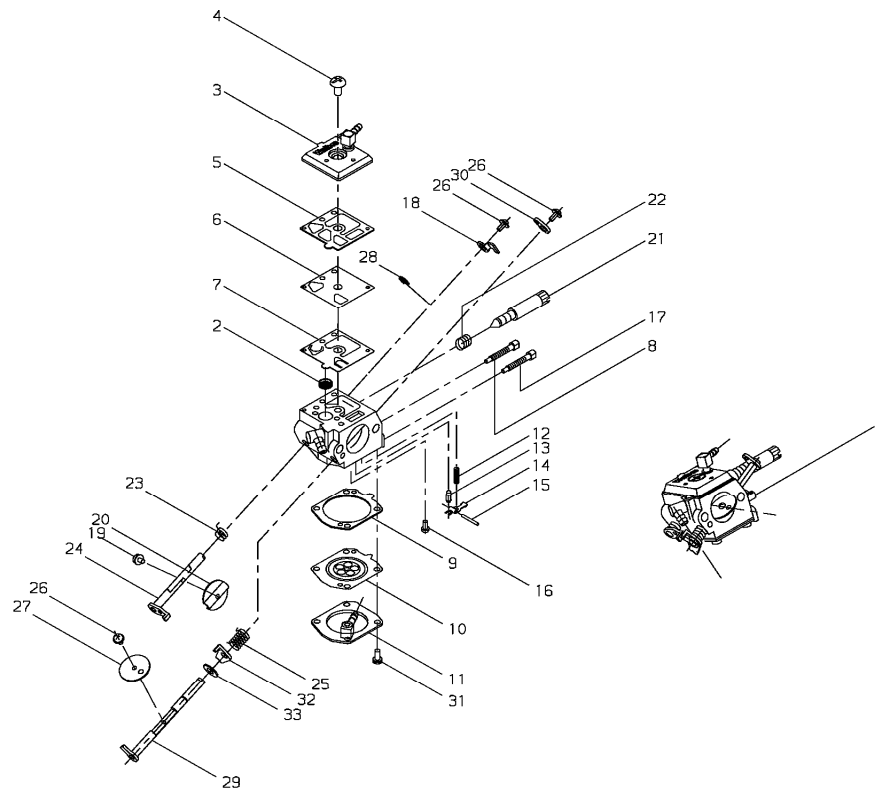
KEY	LV	PART NUMBER	Q'TY	DESCRIPTION	REMARKS	NOTE1	NOTE2
27		38010-75360	1	RECOIL SPRING			
28		01500-06051	1	NUT	M6		
29		38010-75370	1	WASHER			
30		32003-77370	1	SCREW SPW			
31		22104-75420	4	KNOB RECOIL			
32		22104-75430	1	STOPPER KNOB			
33		38010-75390	1	ROPE			
34		38010-75210	1	AIR PLATE			
35		38010-82581	1	FILTER			
36		38010-82311	1	PRE FILTER			
37		38010-82561	2	SCREW PM SW		M5x12	
38		38010-82590	2	COLLAR			
39		38010-82131	1	CLEANER COVER			
40		38010-82460	1	KNOB			
41		19422-00044	1	LABEL CAUTION			
42		38010-91020	1	LABEL TRADE		EC7500	
42		38011-91020	1	LABEL TRADE		EC7600	
43		19401-00300	1	LABEL INST			
44		38010-75400	1	GUIDE			

5. CARBURETOR



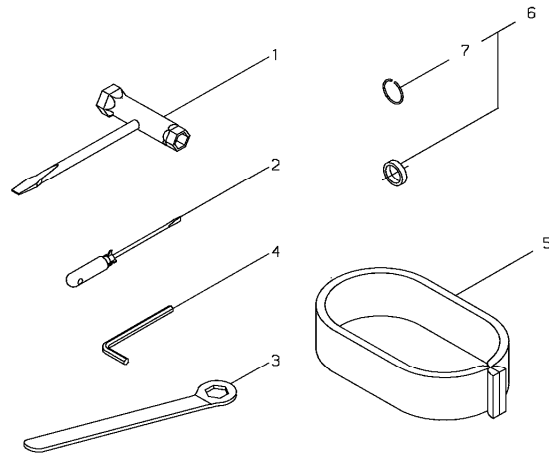
KEY	LV	PART NUMBER	Q'TY	DESCRIPTION	REMARKS	NOTE1	NOTE2
1		68006-81010	1	CARBURETOR ASSY			
2	•	70030-81380	1	SCREEN			
3	•	22150-81120	1	PUMP COVER ASSY			
4	•	22150-81130	1	SCREW			
5	•	22150-81140	1	GASKET PUMP			
6	•	22169-81180	1	DIAPHRAGM PUMP			
7	•	22169-81150	1	DIAPHRAGM PUMP			
8	•	68006-81320	1	L NEEDLE		L	
9	•	22150-81290	1	GASKET DIAPHRAGM			
10	•	22150-81260	1	DIAPHRAGM ASSY			
11	•	38010-81350	1	COVER DIAPHRAGM			
12	•	22150-81270	1	SPRING LEVER			
13	•	20036-81440	1	VALVE			
14	•	22150-81230	1	LEVER			
15	•	22100-81250	1	PIN			
16	•	22100-81240	1	SCREW			
17	•	68006-81330	1	H NEEDLE		H	
18	•	22160-81390	1	STOPPER			
19	•	20803-81140	1	SCREW			
20	•	22150-81340	1	THROTTLE VALVE			
21	•	22156-81410	1	IDLE SCREW			
22	•	22156-81420	1	SPRING, IDLE ADJUST			
23	•	22150-81430	1	RETURN SPRING			
24	•	38010-81370	1	SHAFT ASSY			
25	•	38010-81380	1	SPRING			
26	•	20803-81150	3	SCREW			

5. CARBURETOR



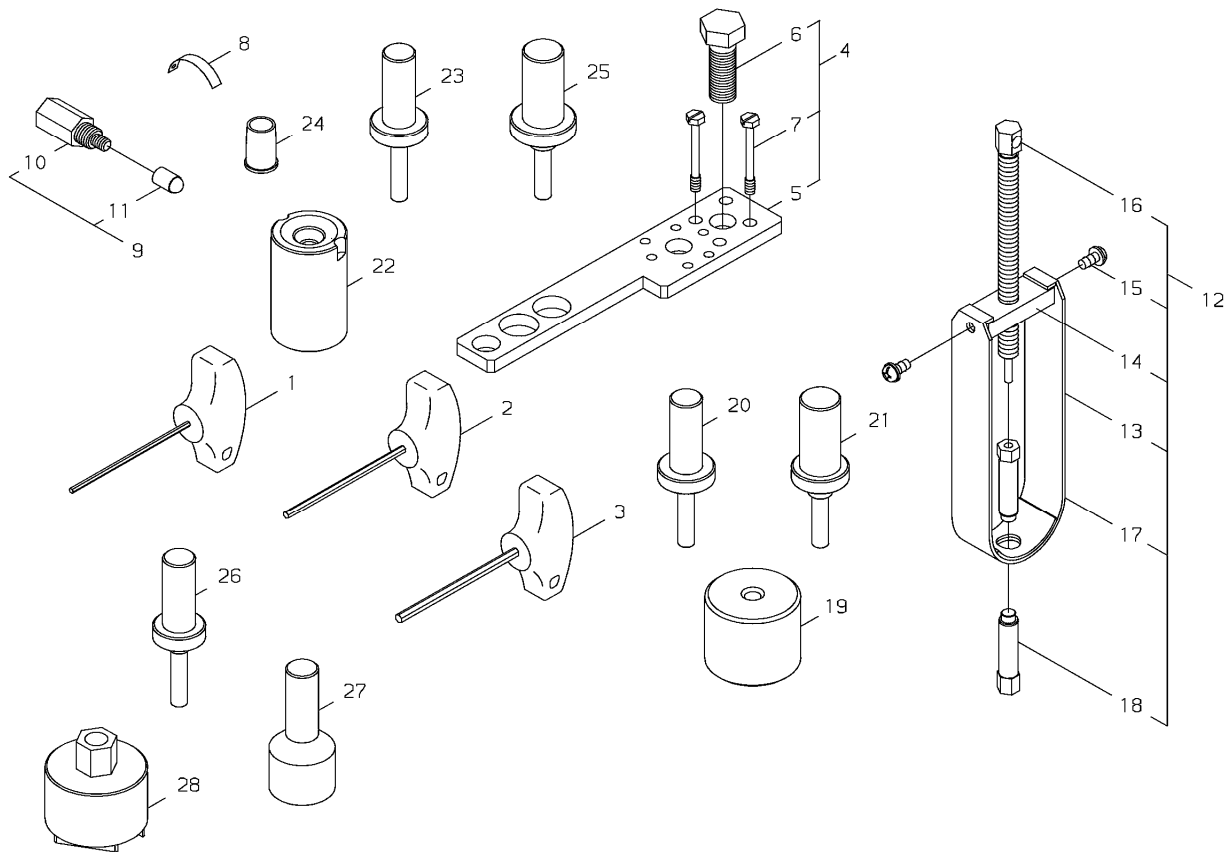
KEY	LV	PART NUMBER	Q'TY	DESCRIPTION	REMARKS	NOTE1	NOTE2
27	•	38010-81390	1	CHOKE VALVE			
28	•	70030-81390	1	E-RING			
29	•	38010-81400	1	SHAFT ASSY			
30	•	22156-81380	1	LEVER			
31	•	22100-81351	4	SCREW			
32	•	38010-81420	1	LEVER			
33	•	20036-81185	1	WASHER			

6. OPTION



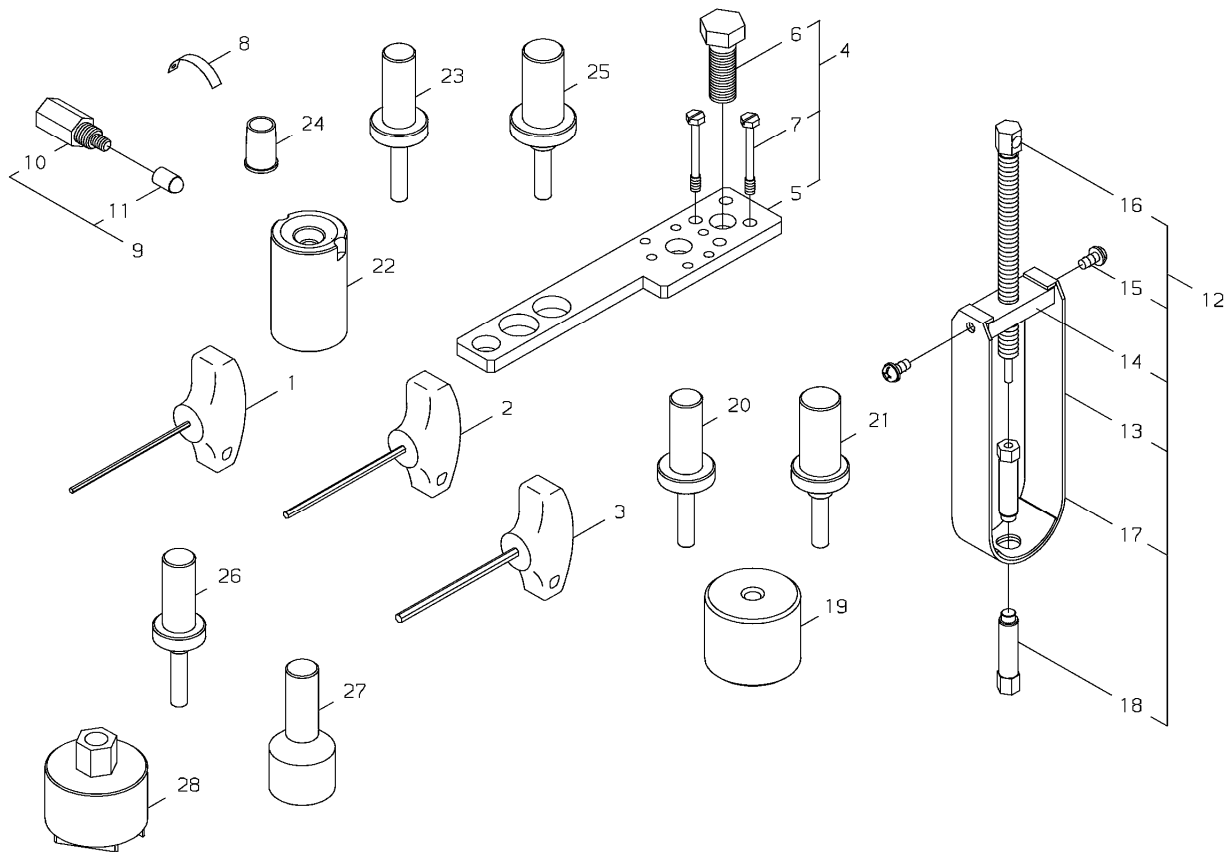
KEY	LV	PART NUMBER	Q'TY	DESCRIPTION	REMARKS	NOTE1	NOTE2
1		72320-91410	1	PLUG WRENCH	19-13	19-13	
2		22150-91160	1	DRIVER			
3		19020-17001	1	WRENCH			
4		09026-06001	1	HEXA WRENCH 7MM		6mm	
5		38010-98090	1	PRE FILTER			
6		38010-98330	1	COLLAR SET		φ22	
6		38010-98310	1	COLLAR SET		φ25.4	
6		38010-98320	1	COLLAR SET		φ30.5	
7		68000-69310	1	SNAP RING			

7. OPTION TOOL



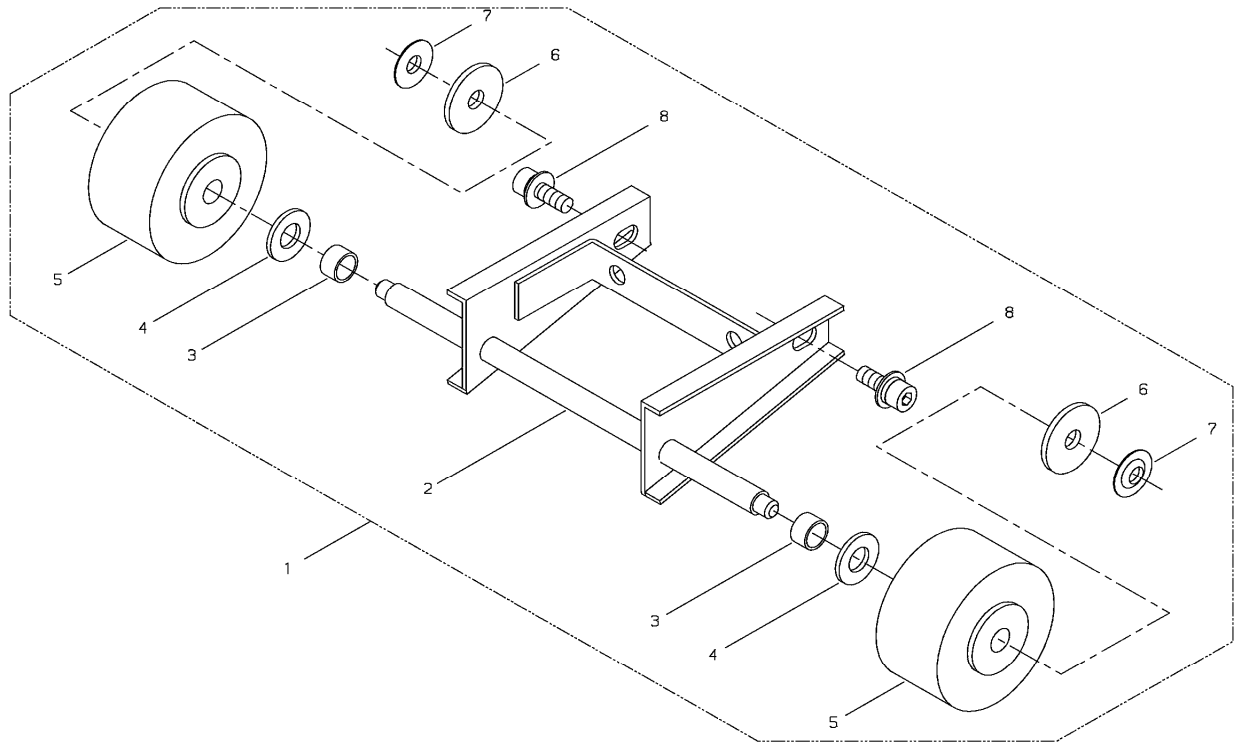
KEY	LV	PART NUMBER	Q'TY	DESCRIPTION	REMARKS	NOTE1	NOTE2
1		22155-96521	1	T WRENCH 4			
2		22155-96531	1	T WRENCH 5			
3		22155-96540	1	T WRENCH 6			
4		22150-96101	1	PULLER ASSY			
5	•	20000-96114	1	LEVER			
6	•	22100-96121	1	CENTER BOLT			
7	•	22102-96130	2	BOLT			
8		20000-96210	1	AIR GAP GAUGE		t=0.3-0.35	
9		22182-96601	1	STOPPER ASSY			
10	•	2218296610	1	ストッパ			
11	•	22182-96621	1	CAP			
12		22169-96300	1	PULLER ASSY			
13	•	22155-96310	1	PULLER			
14	•	22155-96320	1	BOSS			
15	•	11204-06120	2	SCREW PM			
16	•	22155-96340	1	BOLT			
17	•	22169-96350	1	PIN ADAPTER			
18	•	22169-96360	1	GUIDE PIN			
19		22169-96410	1	HOLDER M			
20		22169-96420	1	ROD OIL SEAL M			
21		22169-96430	1	ROD 6202			
22		38010-98010	1	HOLDER			
23		22169-96450	1	ROD OIL SEAL C			
24		22169-96460	1	COLLAR OIL SEAL			
25		22169-96470	1	ROD 6203			
26		38010-98020	1	ROD			

7. OPTION TOOL



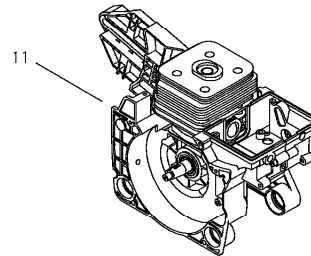
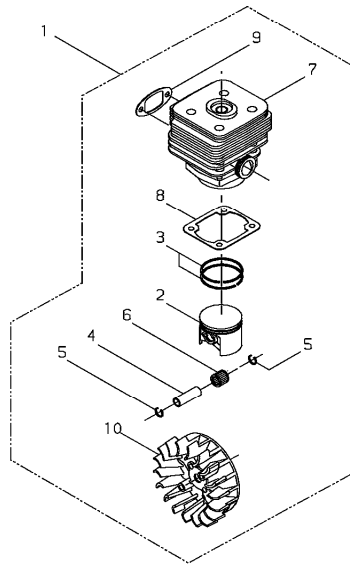
KEY	LV	PART NUMBER	Q'TY	DESCRIPTION	REMARKS	NOTE1	NOTE2
27		38010-98040	1	ROD			
28		38010-98050	1	PULLER			

8. OPTION (CASTER)



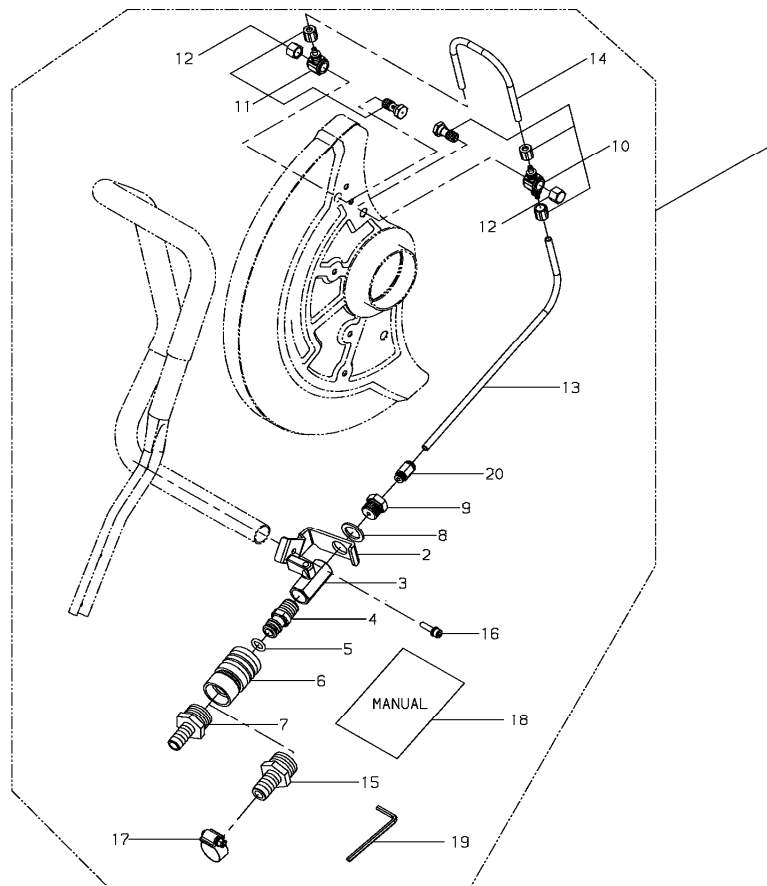
KEY	LV	PART NUMBER	Q'TY	DESCRIPTION	REMARKS	NOTE1	NOTE2
1		680-0098310	1	CASTER			
2	▪	68000-98330	1	STAY			
3	▪	17901-08070	2	COLLAR		8, L=7	
4	▪	01612-00800	2	WASHER			
5	▪	16011-00051	2	CASTER		427S-RD-50	
6	▪	15401-20008	2	COLLAR			
7	▪	68000-98340	2	PUSH NUT		OCHIAI SPN-6	
8	▪	11060-05141	2	BOLT ADHESIVE		M5x14	

9. OPTION



KEY	LV	PART NUMBER	Q'TY	DESCRIPTION	REMARKS	NOTE1	NOTE2
1		38010-98350	1	CYLINDER SET			
2	•	38010-41110	1	PISTON			
3	•	22169-41210	2	PISTON RING			
4	•	22169-41220	1	PISTON PIN			
5	•	22155-41230	2	SNAP RING			
6	•	22155-41281	1	BEARING SE			
7	•	38010-12112	1	CYLINDER			
8	•	38010-12120	1	GASKET			
9	•	38010-15210	1	GASKET			
10	•	38010-71112	1	ROTOR			
11		68002-98331	1	SHORT BLOCK			

10. WATER SYSTEM KIT



KEY	LV	PART NUMBER	Q'TY	DESCRIPTION	REMARKS	NOTE1	NOTE2
1		68020-93310	1	WATER SYSTEM KIT			
2	▪	68020-93320	1	BRACKET			
3	▪	68020-93330	1	VALVE			
4	▪	68020-93341	1	CONNECTOR			
5	▪	68020-93520	1	O RING			
6	▪	68020-93350	1	COUPLER			
7	▪	68020-93360	1	HOSE JOINT		1/2"(φ14)	
8	▪	68020-93370	1	SPACER			
9	▪	68020-93381	1	JOINT			
10	▪	68020-93390	1	NOZZLE ASSY			
11	▪	68020-93430	1	NOZZLE ASSY			
12	▪	68020-93450	2	NUT			
13	▪	68020-93460	1	TUBE		L370	
14	▪	68020-93470	1	TUBE		L235	
15	▪	68020-93480	1	HOSE JOINT		5/8"(φ17)	
16	▪	11022-05200	1	BOLT SPW		M5x20	
17	▪	68020-93490	1	CLAMP			
18	▪	68020-93500	1	MANUAL			
19	▪	09026-04001	1	HEXA WRENCH	4MM M5㌘	4mm M5	
20	▪	68020-93511	1	CONNECTOR			

Index

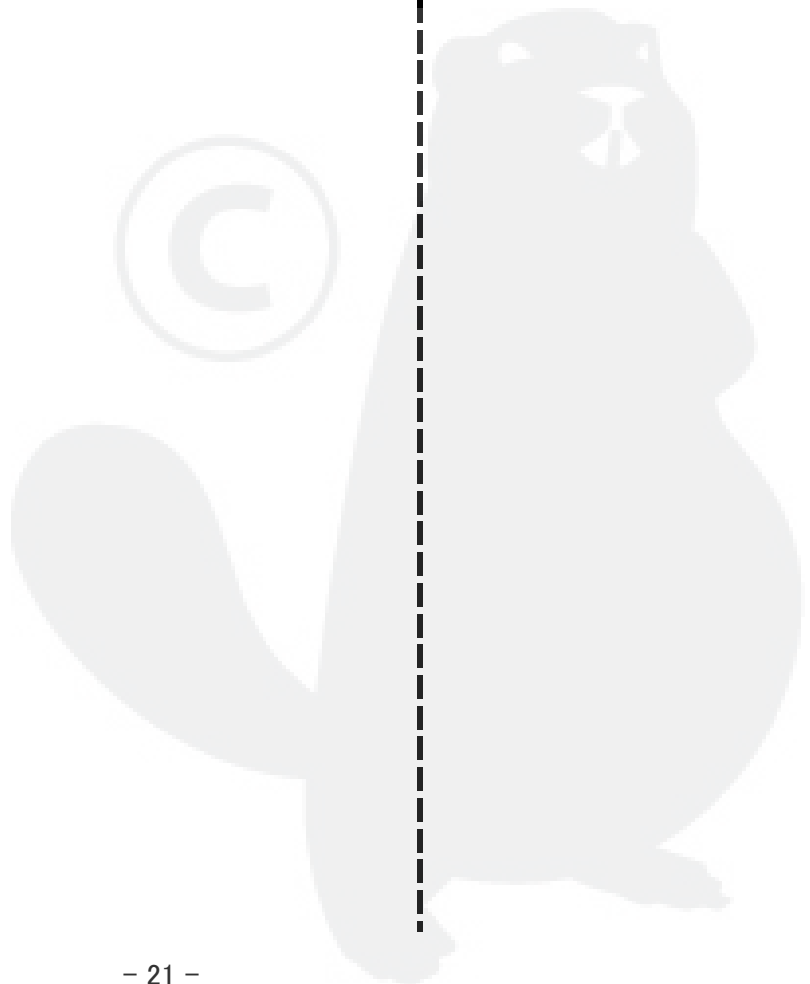
Patrs Number	Key No.	Patrs Number	Key No.	Patrs Number	Key No.
01020-05160	3 - 16	19020-17001	6 - 3	22150-82140	1 - 44
01020-05600	1 - 49	19401-00254	3 - 52	22150-91160	6 - 2
01020-06200	3 - 25	19401-00256	2 - 38	22150-96101	7 - 4
01020-08500	3 - 42	19401-00300	4 - 43	22154-22130	1 - 41
01280-04222	2 - 13	19402-00219	3 - 53	22154-72230	4 - 19
01500-06051	4 - 28	19402-00220	3 - 53	22155-21630	1 - 22
01500-08061	3 - 18	19402-00221	2 - 39	22155-41230	1 - 37
01600-05131	1 - 56	19405-00006	3 - 54	22155-41230	9 - 5
01612-00800	8 - 4	19422-00044	4 - 41	22155-41281	1 - 38
01613-05080	1 - 57	20000-96114	7 - 5	22155-41281	9 - 6
02006-06201	3 - 11	20000-96210	7 - 8	22155-82111	1 - 43
02006-06203	3 - 12	20020-85540	2 - 24	22155-96310	7 - 13
02030-06202	1 - 21	20020-85540	2 - 37	22155-96320	7 - 14
02030-06203	1 - 26	20036-81185	5 - 33	22155-96340	7 - 16
02403-03100	4 - 13	20036-81440	5 - 13	22155-96521	7 - 1
02427-20125	3 - 31	20050-87160	1 - 32	22155-96531	7 - 2
09026-04001	10 - 19	20087-51210	3 - 26	22155-96540	7 - 3
09026-06001	6 - 4	20800-33910	2 - 32	22156-81380	5 - 30
11022-04160	4 - 17	20803-81140	5 - 19	22156-81410	5 - 21
11022-05100	2 - 9	20803-81150	5 - 26	22156-81420	5 - 22
11022-05200	10 - 16	22100-71441	4 - 12	22160-31150	4 - 6
11060-05141	1 - 9	22100-81240	5 - 16	22160-81390	5 - 18
11060-05141	3 - 45	22100-81250	5 - 15	22169-12190	1 - 3
11060-05141	8 - 8	22100-81351	5 - 31	22169-21630	1 - 27
11060-05204	2 - 7	22100-96121	7 - 6	22169-21910	1 - 28
11060-06200	1 - 15	22102-96130	7 - 7	22169-32220	2 - 8
11203-05080	1 - 12	22104-75420	4 - 31	22169-33770	1 - 31
11203-06908	3 - 38	22104-75430	4 - 32	22169-41210	1 - 35
11204-06120	7 - 15	22118-85460	2 - 29	22169-41210	9 - 3
123181-39130	1 - 45	22128-85410	2 - 26	22169-41220	1 - 36
12420-40255	2 - 17	22128-85440	2 - 28	22169-41220	9 - 4
12492-50100	1 - 20	22128-85470	2 - 30	22169-51200	3 - 3
13000-13507	1 - 55	22128-85480	2 - 31	22169-51210	3 - 4
14352-01700	4 - 20	22150-12170	1 - 6	22169-51220	3 - 5
15401-00008	3 - 27	22150-21220	1 - 23	22169-51240	3 - 7
15401-10030	4 - 11	22150-33410	1 - 52	22169-71460	4 - 14
15401-20007	3 - 19	22150-33720	1 - 30	22169-81150	5 - 7
15401-20008	3 - 30	22150-33720	2 - 35	22169-81180	5 - 6
15401-20008	8 - 6	22150-33770	2 - 36	22169-96300	7 - 12
15401-20101	3 - 23	22150-51230	3 - 6	22169-96350	7 - 17
15401-21022	3 - 47	22150-81120	5 - 3	22169-96360	7 - 18
16011-00051	8 - 5	22150-81130	5 - 4	22169-96410	7 - 19
17500-17500	3 - 35	22150-81140	5 - 5	22169-96420	7 - 20
17520-14801	4 - 10	22150-81230	5 - 14	22169-96430	7 - 21
17520-98200	3 - 32	22150-81260	5 - 10	22169-96450	7 - 23
17901-06100	4 - 2	22150-81270	5 - 12	22169-96460	7 - 24
17901-08070	8 - 3	22150-81290	5 - 9	22169-96470	7 - 25
18607-35502	3 - 55	22150-81340	5 - 20	22173-16160	1 - 17
18647-30501	3 - 55	22150-81430	5 - 23	22182-12160	1 - 5

Index

Patrs Number	Key No.	Patrs Number	Key No.	Patrs Number	Key No.
22182-33230	2 - 12	38010-51330	3 - 56	38010-82311	4 - 36
22182-33326	2 - 14	38010-63110	3 - 10	38010-82420	1 - 50
22182-33332	2 - 15	38010-63310	3 - 14	38010-82460	4 - 40
22182-33340	2 - 16	38010-63320	3 - 15	38010-82470	1 - 48
22182-96601	7 - 9	38010-63330	3 - 13	38010-82561	4 - 37
2218296610	7 - 10	38010-64111	3 - 17	38010-82581	4 - 35
22182-96621	7 - 11	38010-64120	3 - 20	38010-82590	4 - 38
32003-77370	4 - 30	38010-64131	3 - 21	38010-83310	1 - 51
38010-12112	1 - 1	38010-65112	3 - 22	38010-83321	1 - 53
38010-12112	9 - 7	38010-65330	3 - 28	38010-83330	1 - 54
38010-12120	1 - 2	38010-65360	3 - 33	38010-91020	4 - 42
38010-12120	9 - 8	38010-65370	3 - 34	38010-91030	3 - 51
38010-12210	1 - 4	38010-66310	3 - 37	38010-98010	7 - 22
38010-12220	1 - 7	38010-66330	3 - 36	38010-98020	7 - 26
38010-12230	1 - 8	38010-67310	3 - 39	38010-98040	7 - 27
38010-15010	1 - 10	38010-67320	3 - 40	38010-98050	7 - 28
38010-15140	1 - 11	38010-67330	3 - 41	38010-98071	3 - 49
38010-15210	1 - 14	38010-67341	3 - 43	38010-98090	6 - 5
38010-15210	9 - 9	38010-67351	3 - 44	38010-98310	6 - 6
38010-16110	1 - 16	38010-67351	4 - 5	38010-98320	6 - 6
38010-21021	1 - 24	38010-68110	3 - 46	38010-98330	6 - 6
38010-21211	1 - 25	38010-68130	3 - 48	38010-98350	9 - 1
38010-31111	4 - 1	38010-71011	4 - 7	38011-51110	3 - 1
38010-31311	4 - 3	38010-71112	4 - 8	38011-65112	3 - 22
38010-31321	4 - 4	38010-71112	9 - 10	38011-91020	4 - 42
38010-32025	2 - 10	38010-71120	4 - 9	38011-91030	3 - 51
38010-32041	2 - 19	38010-71212	4 - 15	38020-12310	1 - 58
38010-32110	2 - 1	38010-71320	4 - 16	68000-21012	1 - 18
38010-32211	2 - 11	38010-71330	4 - 18	68000-21112	1 - 19
38010-32271	2 - 20	38010-75011	4 - 21	68000-69310	3 - 50
38010-32330	2 - 5	38010-75210	4 - 34	68000-69310	6 - 7
38010-32371	2 - 18	38010-75310	4 - 22	68000-71330	1 - 42
38010-32381	2 - 21	38010-75320	4 - 23	68000-71340	1 - 40
38010-32390	2 - 22	38010-75330	4 - 24	680-0098310	8 - 1
38010-32412	2 - 33	38010-75341	4 - 25	68000-98330	8 - 2
38010-32420	2 - 25	38010-75360	4 - 27	68000-98340	8 - 7
38010-32430	2 - 27	38010-75370	4 - 29	68002-65330	3 - 24
38010-32440	2 - 2	38010-75390	4 - 33	68002-65341	3 - 29
38010-32460	2 - 3	38010-75400	4 - 44	68002-98331	9 - 11
38010-32470	2 - 4	38010-75410	4 - 26	68004-98311	1 - 33
38010-32480	2 - 6	38010-81341	1 - 46	68006-15130	1 - 13
38010-32501	2 - 40	38010-81350	5 - 11	68006-81010	5 - 1
38010-32511	2 - 41	38010-81370	5 - 24	68006-81320	5 - 8
38010-32520	2 - 42	38010-81380	5 - 25	68006-81330	5 - 17
38010-41110	1 - 34	38010-81390	5 - 27	68020-93310	10 - 1
38010-41110	9 - 2	38010-81400	5 - 29	68020-93320	10 - 2
38010-42012	1 - 39	38010-81420	5 - 32	68020-93330	10 - 3
38010-51110	3 - 1	38010-81440	1 - 47	68020-93341	10 - 4
38010-51320	3 - 2	38010-82131	4 - 39	68020-93350	10 - 6

Index

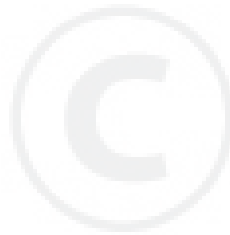
Patrs Number	Key No.	Patrs Number	Key No.	Patrs Number	Key No.
68020-93360	10 - 7				
68020-93370	10 - 8				
68020-93381	10 - 9				
68020-93390	10 - 10				
68020-93430	10 - 11				
68020-93450	10 - 12				
68020-93460	10 - 13				
68020-93470	10 - 14				
68020-93480	10 - 15				
68020-93490	10 - 17				
68020-93500	10 - 18				
68020-93511	10 - 20				
68020-93520	10 - 5				
70030-81380	5 - 2				
70030-81390	5 - 28				
72320-91410	6 - 1				
72330-33710	1 - 29				
72330-33710	2 - 34				
72933-85620	2 - 23				



YAMABIKO CORPORATION

7-2 SUEHIROCHO 1-CHOME, OHME, TOKYO 198-8760, JAPAN
PHONE: 81-428-32-6118. FAX: 81-428-32-6145.

shindaiwa[®]



EC1
No.