

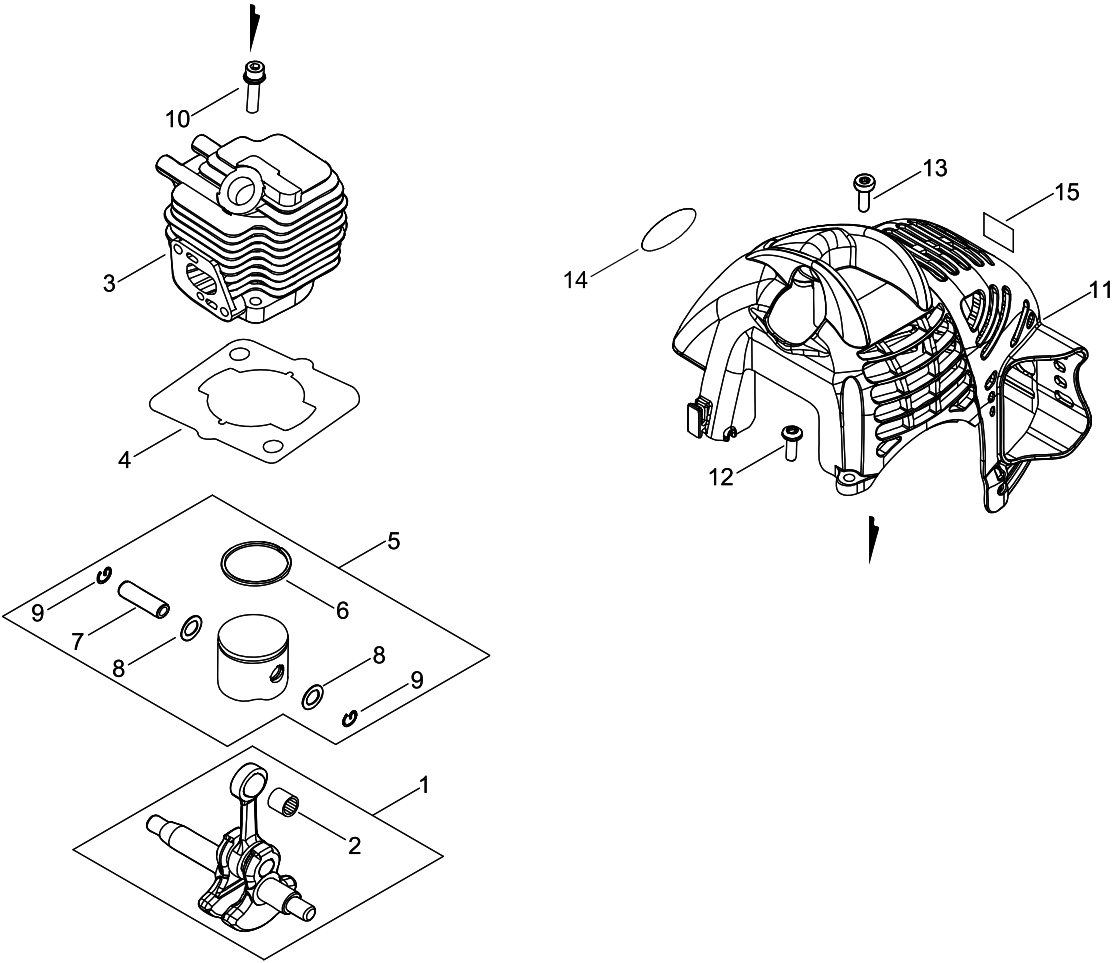
AH236S-LW

Published:12/20/2017

TABLE OF CONTENTS

CYLINDER, PISTON, CRANKSHAFT.....	1
CRANKCASE	3
MAGNETO.....	5
CLUTCH.....	7
AIR CLEANER, CARBURETOR.....	9
CARBURETOR.....	11
FUEL TANK.....	13
MUFFLER	15
RECOIL STARTER, PULLY	17
GEAR CASE.....	19
CUTTING BLADE.....	23
MAIN PIPE	25
THROTTLE	27
ACCESSORIES.....	29

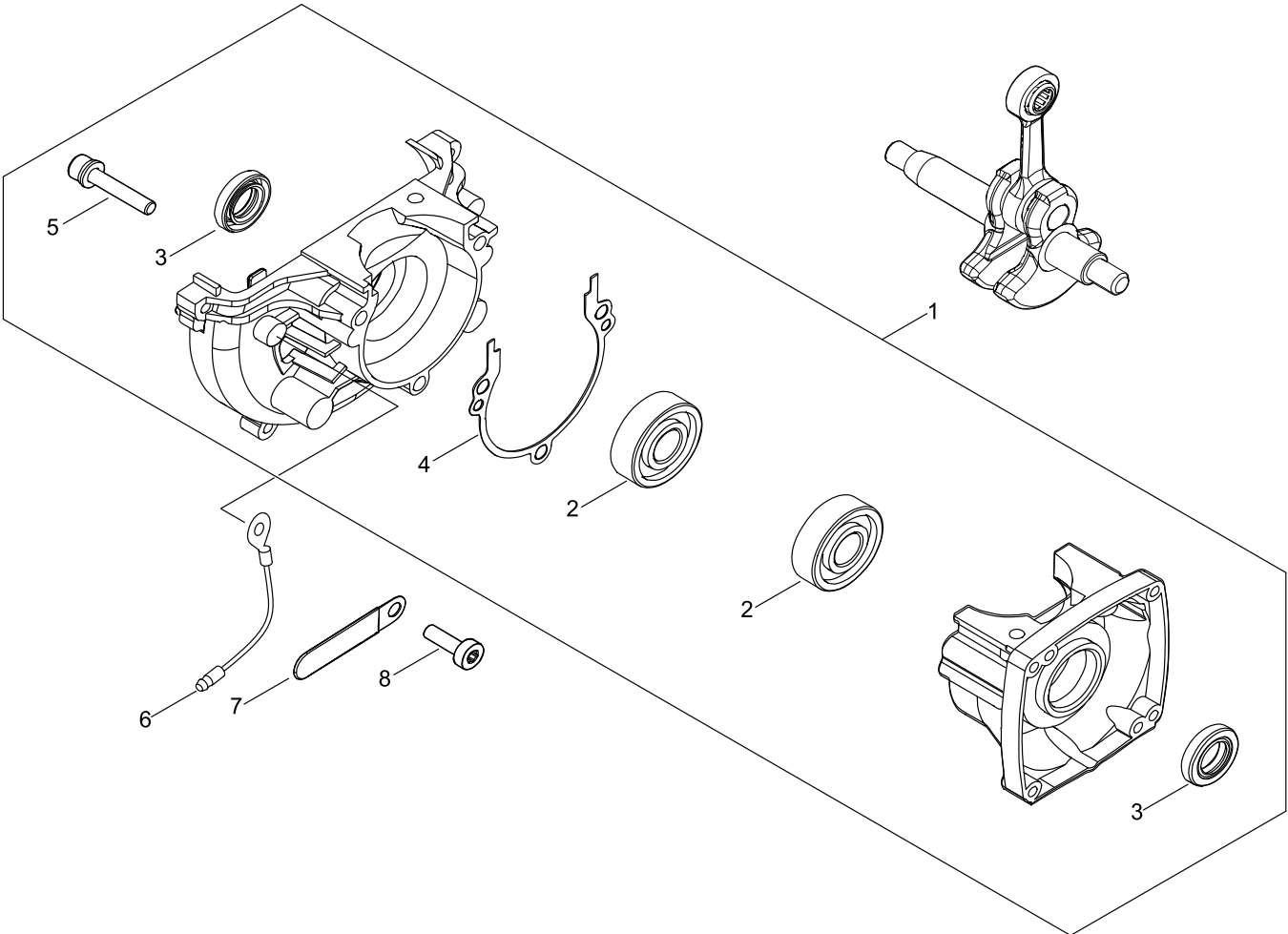
CYLINDER, PISTON, CRANKSHAFT



CYLINDER, PISTON, CRANKSHAFT

KEY NO	LV(+)	Part No	Description	Qty	Standard	Comment
1		A011-001410	CRANKSHAFT,ASY	1		
2	+	V553-000060	BEARING,NEEDLE 8	1	HK0810FMV4	
3		A130-002100	CYLINDER	1		
4		101010-44332	GASKET, CYL. BASE	1		
5		P021-007712	PISTON KIT	1		
6	+	A101-000090	RING,PISTON	1		
7	+	100013-11520	PIN, PISTON	1		
8	+	100014-11520	SPACER, PISTON PIN	2		
9	+	100015-04630	CIRCLIP, PISTON PIN	2		
10		900162-05022	BOLT, H.S. 5*22	2	5*22 W,SW	
11		A160-002850	COVER,CYLINDER	1		
12		V805-000000	BOLT, TORX 5	1	TT-5*16 DG 10.9	
13		V805-000150	BOLT, TORX 5	1	TB-5*16 10.9	
14		X562-000750	LABEL,SHINDAIWA	1		
15		X505-007710	LABEL,CAUTION	1		

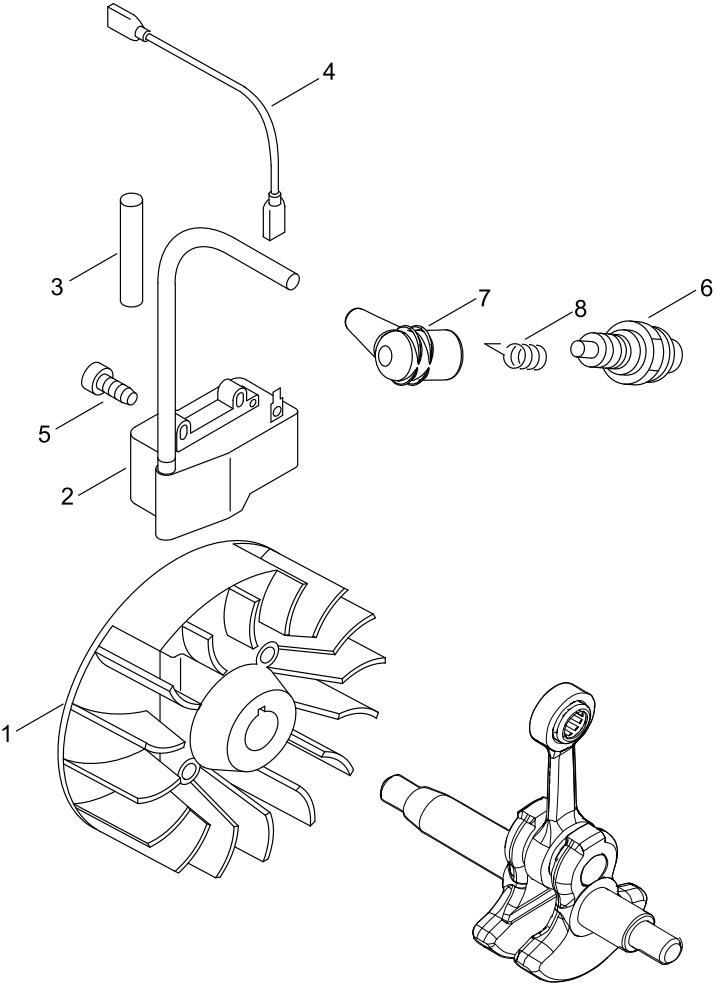
CRANKCASE



CRANKCASE

KEY NO	LV(+)	Part No	Description	Qty	Standard	Comment
1		P100-001870	CRANKCASE SET	1		
2	+	94035-36201	BEARING BALL	2	6201X3JR2C3	
3	+	100212-42031	OILSEAL	2	ISCD 12*22*4.5	
4	+	100242-42030	GASKET, CRANKCASE	1		
5	+	900162-05028	BOLT, H.S. 5*28	3	5*28 W,SW	
6		162014-27230	LEAD, GROUND	1		
7		159116-21231	CLAMP	1		
8		V805-000130	BOLT, TORX 5	1	TB-5*10 10.9	

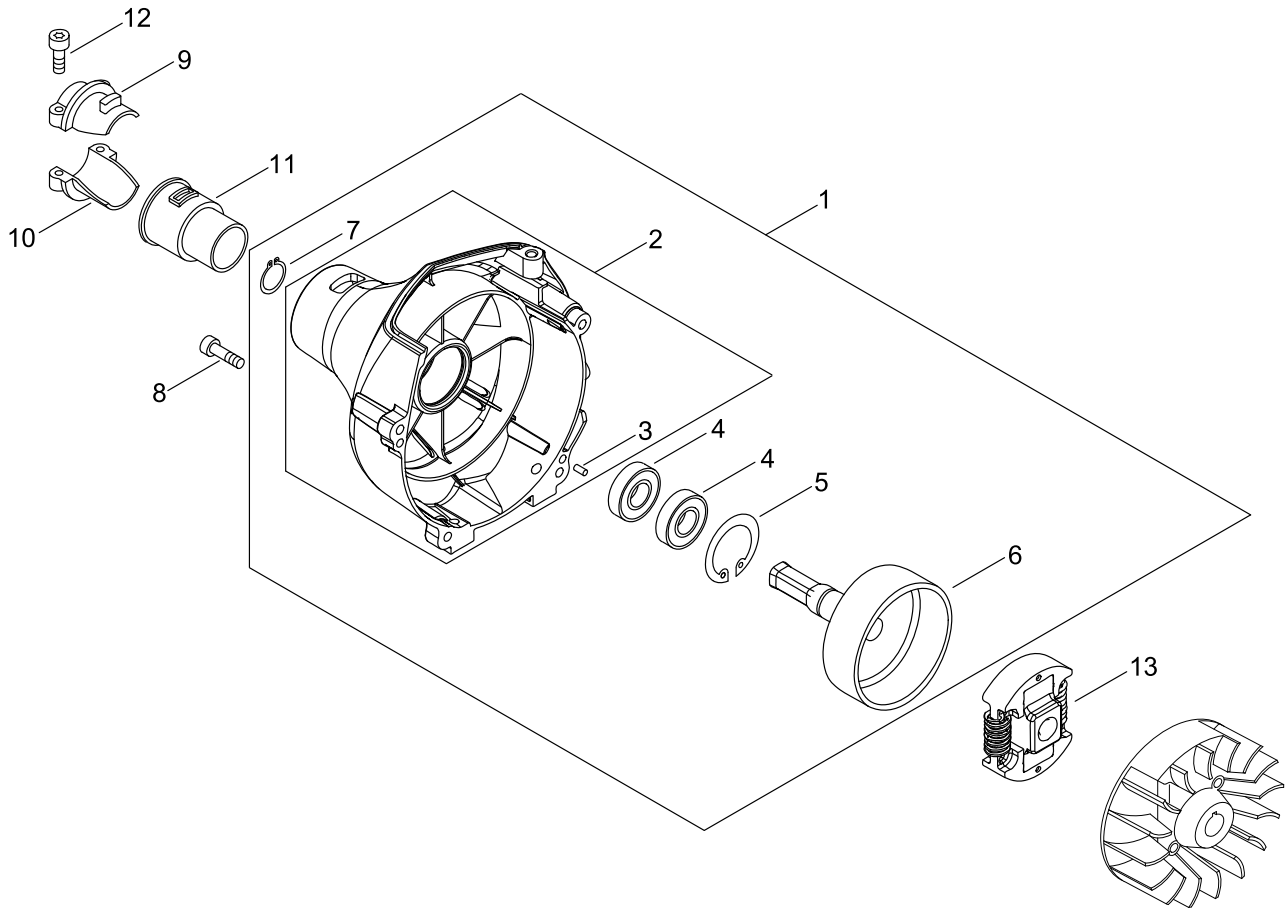
MAGNETO



MAGNETO

KEY NO	LV(+)	Part No	Description	Qty	Standard	Comment
1		A409-000160	ROTOR,MAGNETO	1		
2		A411-000130	COIL,IGNITION	1		
3		V475-007200	TUBE	1	SSG-3Φ8*L65	
4		V485-001120	LEAD	1	L210 #187 CB104	
5		V804-000070	BOLT, TORX 4	2	TB-4*20 12.9	
6		A425-000000	SPARKPLUG	1	BPMR8Y	
7		A427-000013	CAP,SPARK PLUG	1		
8		A426-000010	TERMINAL,SPARKPLUG	1		

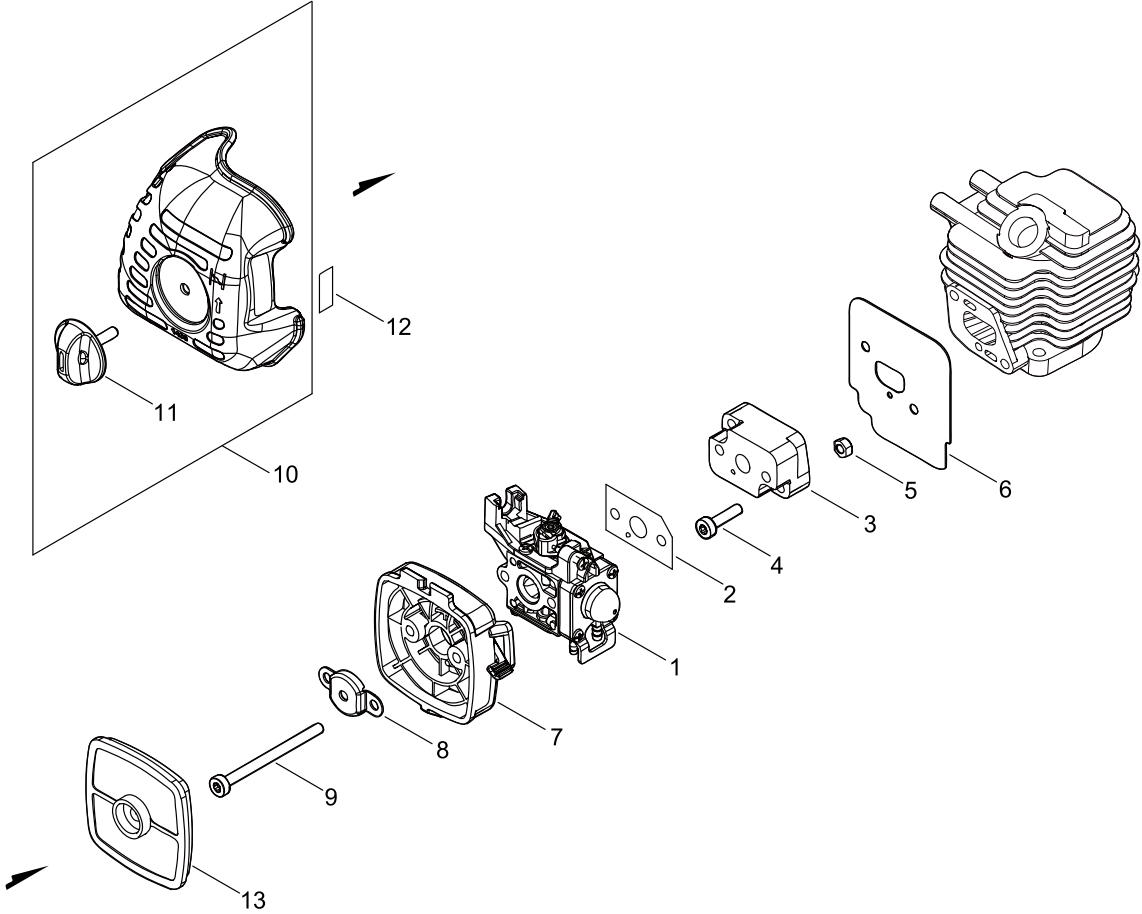
CLUTCH



CLUTCH

KEY NO	LV(+)	Part No	Description	Qty	Standard	Comment
1		P021-051470	FAN COVER ASY	1		
2	+	A172-003170	COVER,FAN	1		
3	++	900330-40080	PIN F 4*8	2	4*8	
4	+	900807-06001	BEARING, BALL 6001	2	6001V(LB)	
5	+	900702-00028	CIRCLIP 28	1	CR-28	
6	+	175005-48931	DRUM, CLUTCH	1		
7	+	900701-00012	CIRCLIP 12	1	CS-12	
8		V804-000060	BOLT, TORX 4	4	TB-4*16 10.9	
9		610922-27432	HOLDER	1		
10		610923-55230	HOLDER	1		
11		610910-55230	CUSHION	1		
12		V805-000160	BOLT, TORX 5	2	TB-5*20 10.9	
13		A056-000780	CLUTCH ASY	1	22 C0.5 D50 NONR	

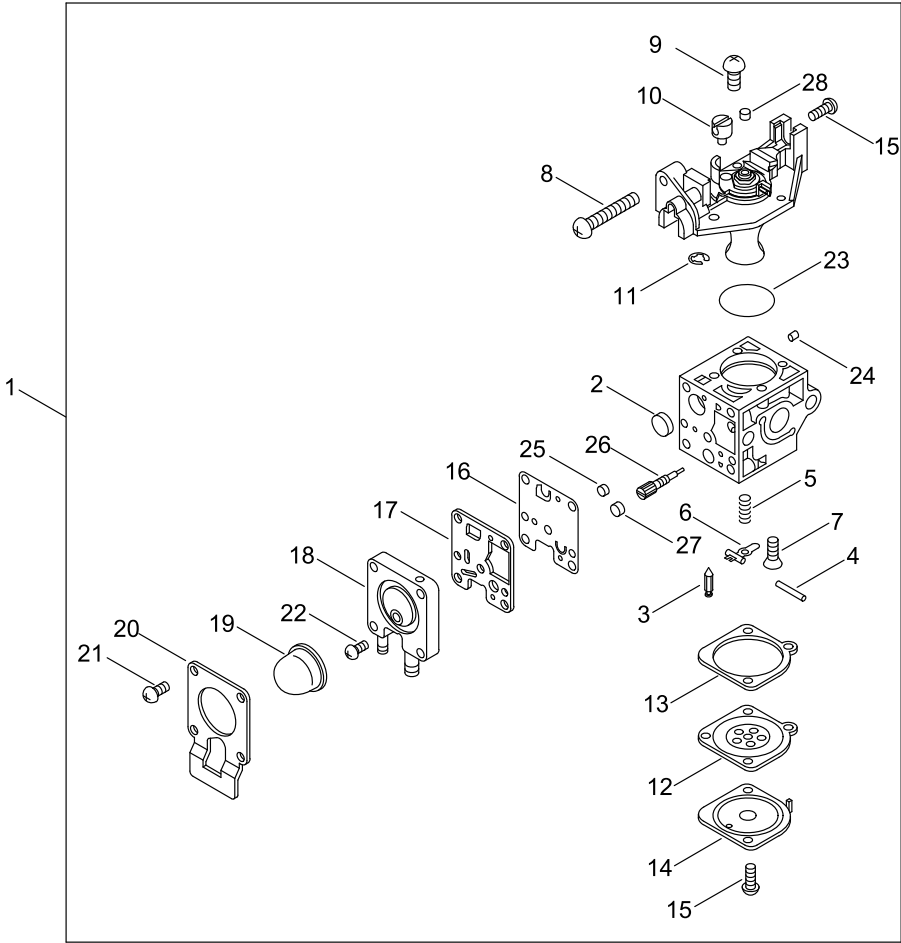
AIR CLEANER, CARBURETOR



AIR CLEANER, CARBURETOR

KEY NO	LV(+)	Part No	Description	Qty	Standard	Comment
1		A021-003881	CARBURETOR, DIAPHRAGM	1	ZAMA RB-K113	
2		V103-001390	GASKET,INTAKE	1		
3		130017-44331	INSULATOR	1		
4		V805-000160	BOLT, TORX 5	2	TB-5*20 10.9	
5		900500-00005	NUT 5	2	5	
6		V103-001360	GASKET,INTAKE	1		
7		P021-051510	CLEANER CASE ASY	1		
8		129011-52730	PLATE, PREVENT	1		
9		V805-000100	BOLT, TORX 5	2	TB-5*65 10.9	
10		P100-004130	LID,CLEANER ASY	1		
11	+	V299-000520	KNOB,FASTENER	1	M5*22.5	
12		890332-52730	LABEL, CHOKE	1		
13		A226-001410	ELEMENT,AIR FILTER	1		

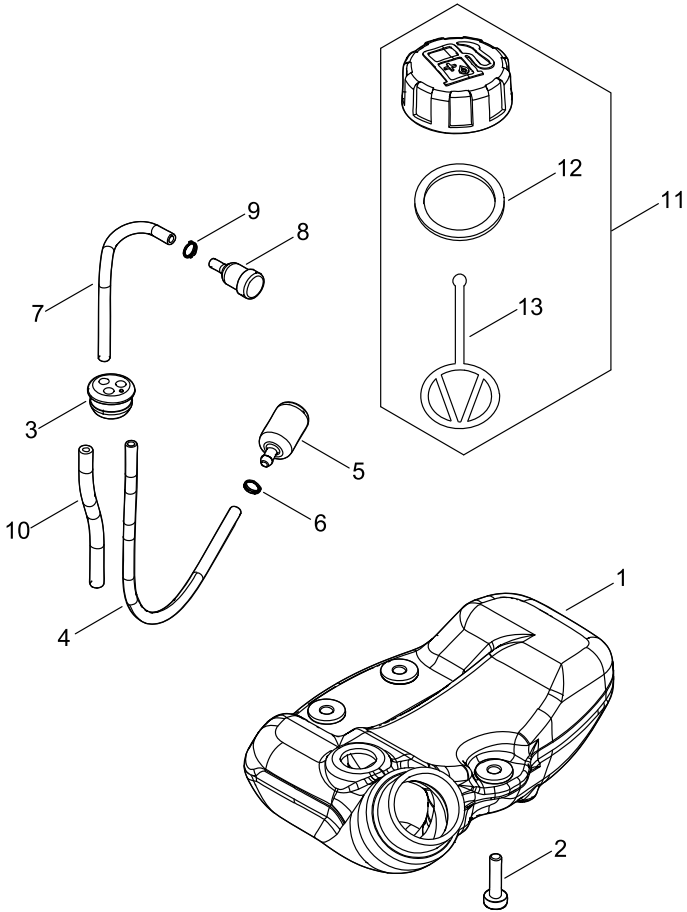
CARBURETOR



CARBURETOR

KEY NO	LV(+)	Part No	Description	Qty	Standard	Comment
1		A021-003881	CARBURETOR, DIAPHRAGM	1	ZAMA RB-K113	
2	+	P005-000010	STRAINER	1		
3	+	125337-08260	VALVE, INLET NEEDLE	1		
4	+	125338-13930	PIN, METERING ARM	1		
5	+	P005-002430	SPRING, MET. LEVER	1		
6	+	125323-08260	ARM, VALVE	1		
7	+	125339-42030	SCREW	1		
8	+	P005-000100	SCREW, THROTTLEADJUST	1		
9	+	125344-13931	SCREW	3		
10	+	P005-001240	POST	1		
11	+	P005-000190	E-RING	1		
12	+	P005-002230	DIAPHRAGM ,METERING	1		
13	+	P005-000200	GASKET, METERING	1		
14	+	125342-52130	COVER, DIAPHRAGM	1		
15	+	125344-52130	SCREW	3		
16	+	P005-000510	DIAPHRAGM, PUMP	1		
17	+	P005-000520	GASKET, PUMP	1		
18	+	P005-001890	BASE, ASY PRIMER	1		
19	+	P005-003110	PUMP, PRIMER	1		
20	+	P005-000250	RETAINER	1		
21	+	P005-001900	SCREW	4		
22	+	P005-000270	SCREW	1		
23	+	P005-000280	O-RING	1		
24	+	P005-001000	ROLLER, GUIDE	1		
25	+	P005-001250	RETAINER,PLUG BALL	1		
26	+	P005-001260	SCREW,MAINN MIXTURE	1		
27	+	P005-001270	PLUG, H AJUST SCREW	1		
28	+	A259-000010	CAP,LIMITER	1		

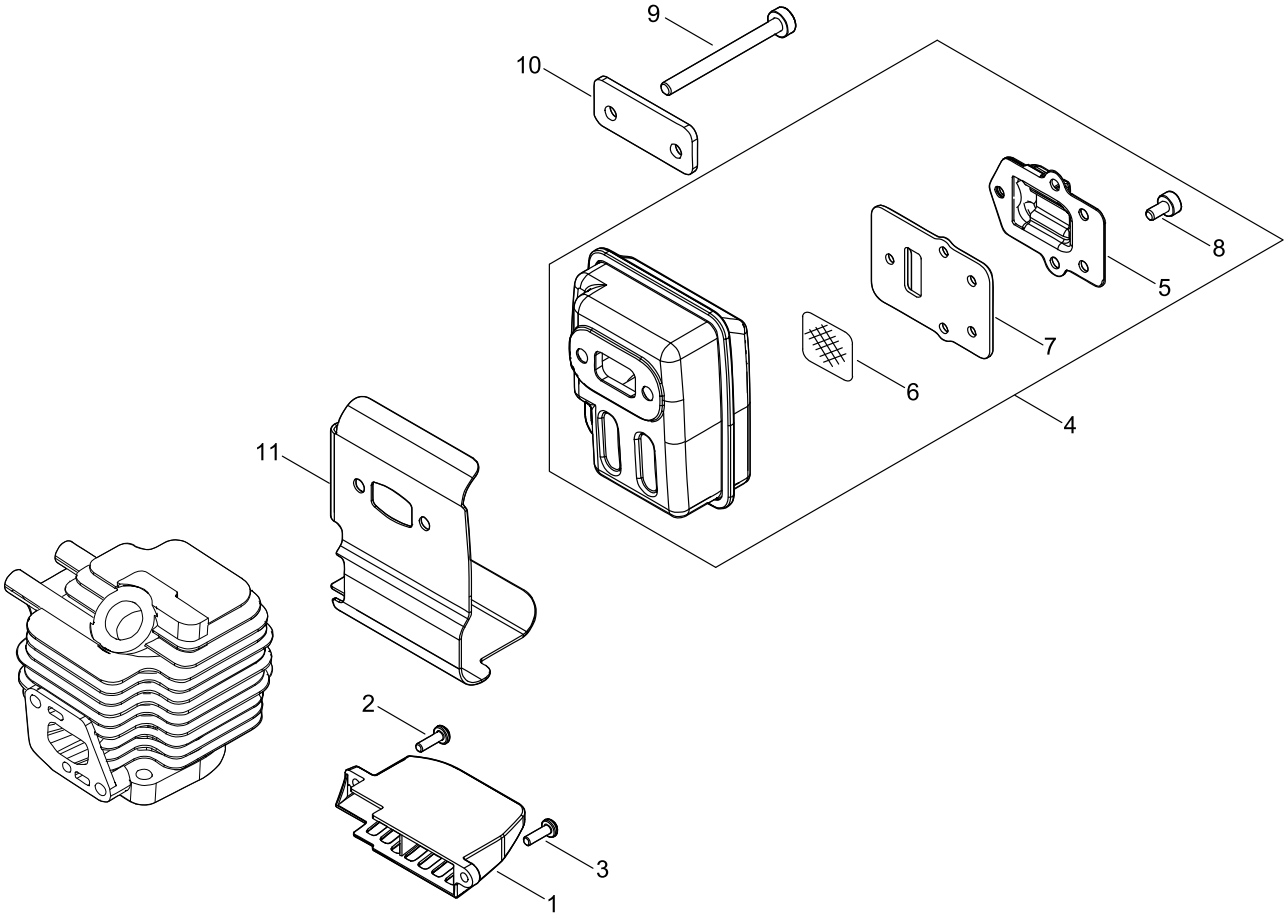
FUEL TANK



FUEL TANK

KEY NO	LV(+)	Part No	Description	Qty	Standard	Comment
1		A350-000801	TANK, FUEL	1		
2		V805-000160	BOLT, TORX 5	3	TB-5*20 10.9	
3		132115-46730	GROMMET, FUEL	1		
4		V470-000840	PIPE	1		
5		A369-000480	STRAINER, FUEL	1	125-959	
6		V490-001240	CLIP	1		
7		V471-001210	PIPE	1	3*5*90 NBR	
8		A356-000031	VALVE,CHECK	1		
9		V490-001240	CLIP	1		
10		132012-56030	PIPE	1	3*6*80 YL	
11		P021-035680	FUEL CAP ASY	1	T242	
12	+	131016-55830	GASKET, FUEL CAP	1		
13	+	A365-000060	CONNECTOR,CAP	1	L=123	

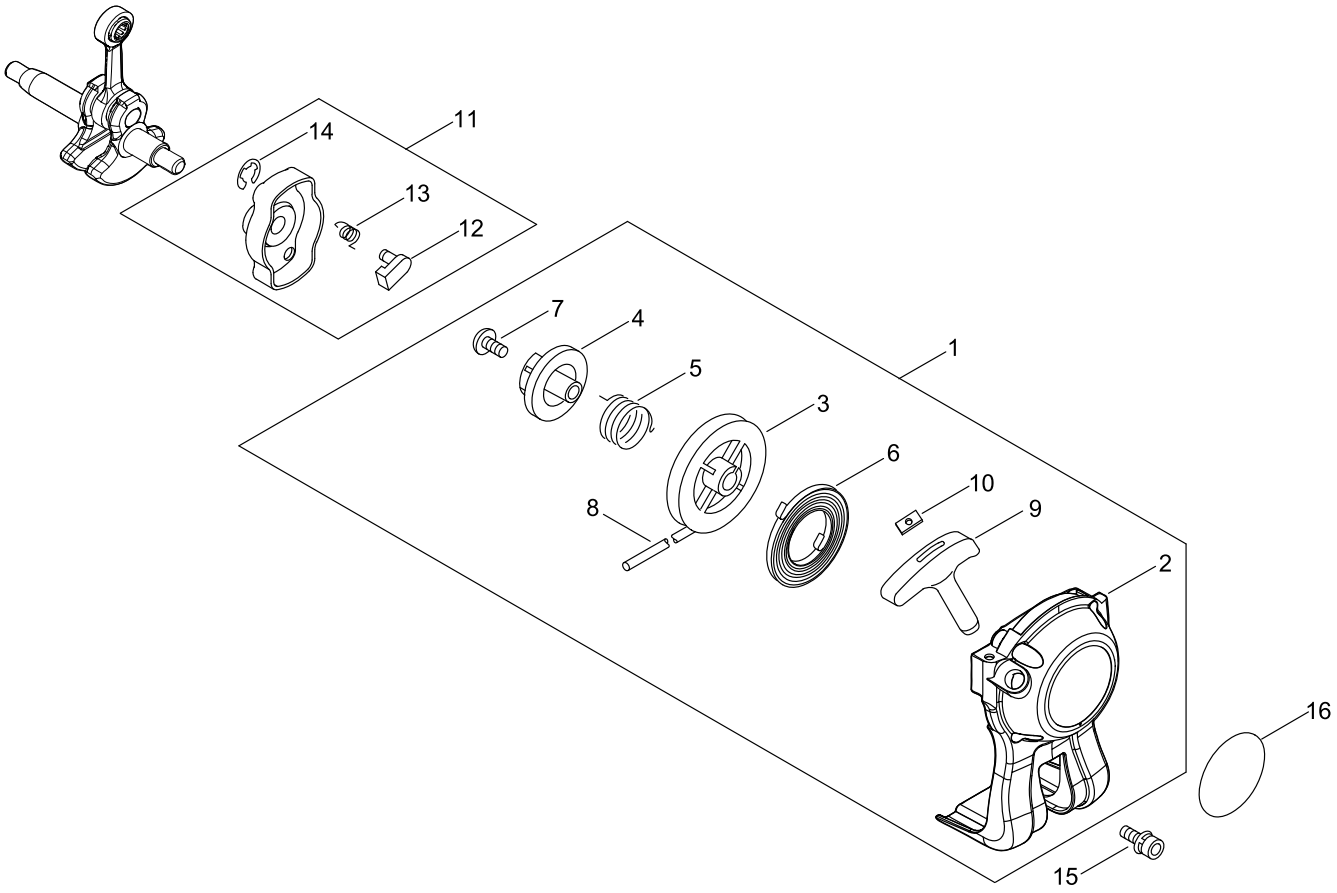
MUFFLER



MUFFLER

KEY NO	LV(+)	Part No	Description	Qty	Standard	Comment
1		A320-000480	COVER,MUFFLER	1		
2		V805-000000	BOLT, TORX 5	1	TT-5*16 DG 10.9	
3		V805-000150	BOLT, TORX 5	1	TB-5*16 10.9	
4		P021-047652	MUFFLER ASY	1		
5	+	A313-000600	GUIDE,EXH	1		
6	+	145862-40630	SCREEN, MUFFLER	1		
7	+	V104-001761	GASKET,EXHAUST	1		
8	+	V804-000030	BOLT, TORX 4	5	TB-4*8 10.9	
9		V805-000190	BOLT, TORX 5	2	TB-5*55 12.9	
10		V150-000371	PLATE,EYE	1		
11		V104-000850	GASKET,EXHAUST	1	T1.0	

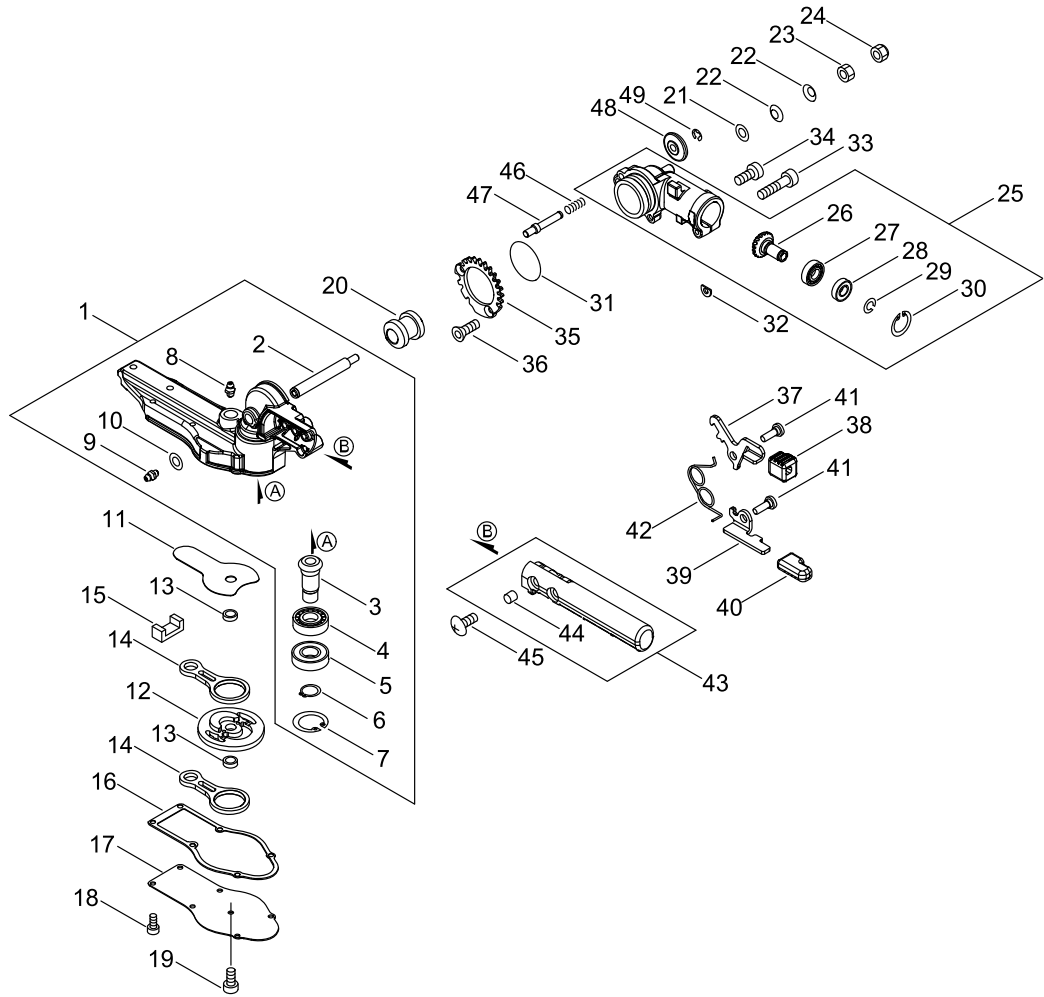
RECOIL STARTER, PULLY



RECOIL STARTER, PULLY

KEY NO	LV(+)	Part No	Description	Qty	Standard	Comment
1		A051-001312	STARTER,RECOIL ASY	1		
2	+	P022-036970	CASE,STARTER	1		
3	+	P022-034040	DRUM, STARTER	1		
4	+	P022-034030	PLATE, CAM	1		
5	+	P022-008270	SPRING,DAMPER	1		
6	+	P022-019680	SPRING, SPIRAL	1		
7	+	177236-61830	SCREW	1		
8	+	P022-019990	ROPE, STARTER	1		
9	+	177228-27030	GRIP, STARTER	1		
10	+	P022-037670	STOPPER, ROPE	1		
11		A052-000180	PULLEY,ASM STARTER	1		
12	+	P022-006850	PAWL, STARTER	2		
13	+	P022-006510	SPRING, RETURN	2		
14	+	P022-002100	E-RING	2	4	
15		V804-000060	BOLT, TORX 4	4	TB-4*16 10.9	
16		X504-007680	LABEL,BRAND	1	SHINDAIWA 47	

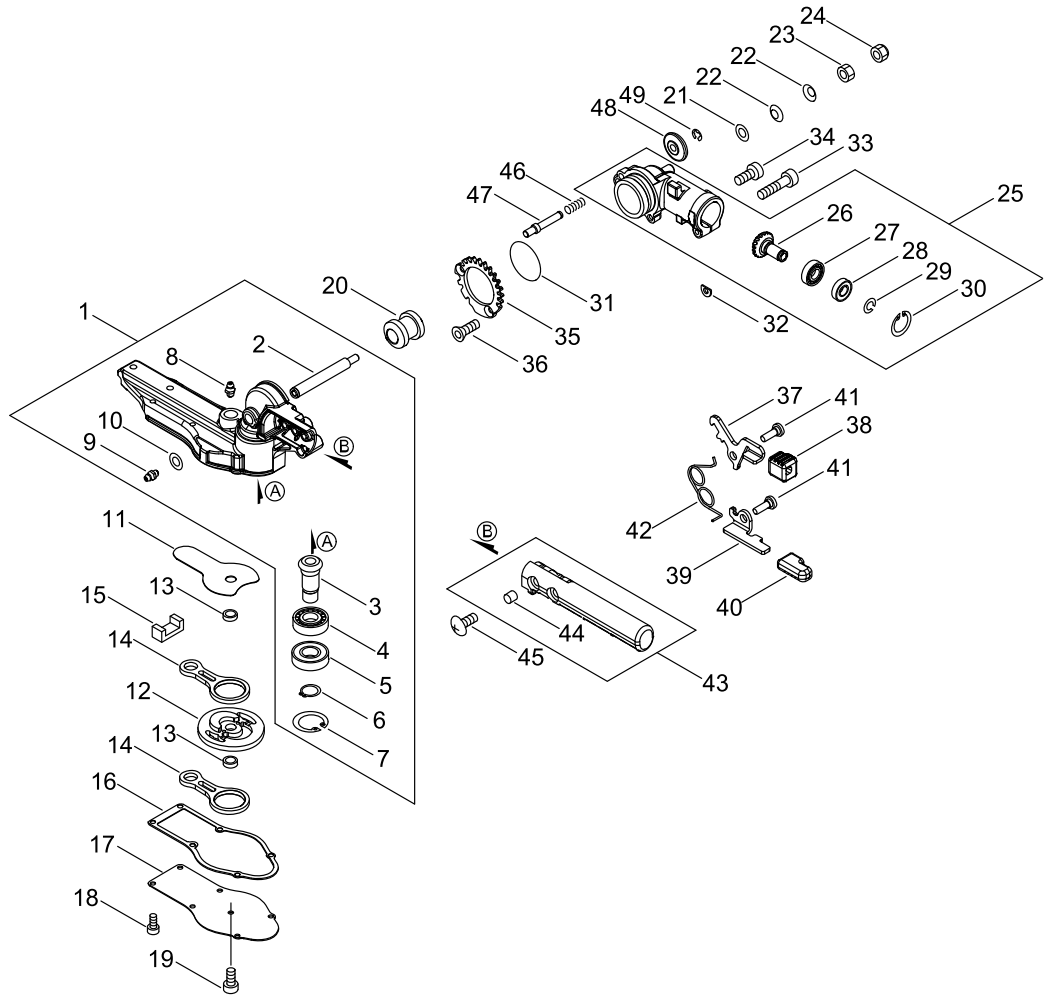
GEAR CASE



GEAR CASE

KEY NO	LV(+)	Part No	Description	Qty	Standard	Comment
1		P100-004080	CASE,GEAR ASY	1		
2	+	C534-001010	SHAFT, GEAR	1	10 M6-M6	
3	+	V655-000090	SHAFT,PINION	1		
4	+	900800-36002	BEARING, BALL 6002	1	6002	
5	+	94004-36002	BEARING, BALL	1	BB6002ZZ/C3	
6	+	900701-00014	CIRCLIP 14	1	CS-14	
7	+	900702-00032	CIRCLIP 32	1	CR-32	
8	+	V187-000080	GREASE NIPPLE	1		
9	+	V187-000080	GREASE NIPPLE	1		
10	+	900603-00006	WASHER 6	1	6.5*13*1	
11		V150-003941	PLATE,EYE	1		
12		V650-000661	GEAR,SPUR	1		
13		V356-000730	COLLAR,10	2	9.5*13*L4	
14		C532-000360	ROD, CONNECTING	2		
15		V541-000570	SEAL	1		
16		V110-000180	GASKET,GEAR CASE	1		
17		C539-000160	LID,GEARCASE	1	T1.2	
18		V804-000110	BOLT, TORX 4	6	TB-4*10 12.9	
19		V805-000300	BOLT, TORX 5	1	TB-5*12 12.9	
20		P021-047570	GEAR,BEVEL SET	1		
21		900603-00006	WASHER 6	1	6.5*13*1	
22		V347-000030	CONE WASHER	2		
23		900502-00006	NUT 6 (3N)	1	3N6	
24		900560-00006	NUT, LOCK	1	6	
25		P021-047820	CASE ASY, GEAR	1		
26	+	V651-001000	GEAR,BEVEL	1		
27	+	900855-06901	BEARING, BALL 6901	1	6901	
28	+	900859-06901	BEARING, BALL	1	6901	
29	+	900706-00012	CIRCLIP 12	1	WR-12	
30	+	900702-00024	CIRCLIP 24	1	CR-24	
31		900724-00035	O-RING 35	1	S-35	
32		V340-000300	SHIM	1		
33		V805-000170	BOLT, TORX 5	1	TB-5*25 10.9	
34		V805-000130	BOLT, TORX 5	1	TB-5*10 10.9	
35		C465-000030	RESETTER, LATCH	1		
36		900175-05012	BOLT, H.S.H	2	5*12	
37		C661-000150	LEVER, RELEASE	1	T3.2	
38		V494-000880	CAP	1		
39		C661-000080	SAFTY LEVER	1		
40		V494-000891	CAP	1		
41		V204-000580	PIN RATCHET	2		
42		V452-000710	COIL SPRING	1		
43		C403-000480	HANDLE	1		
44	+	V354-000320	COLLAR	2		
45		91463-06020	SCREW TRUSS	2		
46		V450-001930	SPRING,COMPRESSION	1		
47		C226-000070	PIN,CONTROL	1		

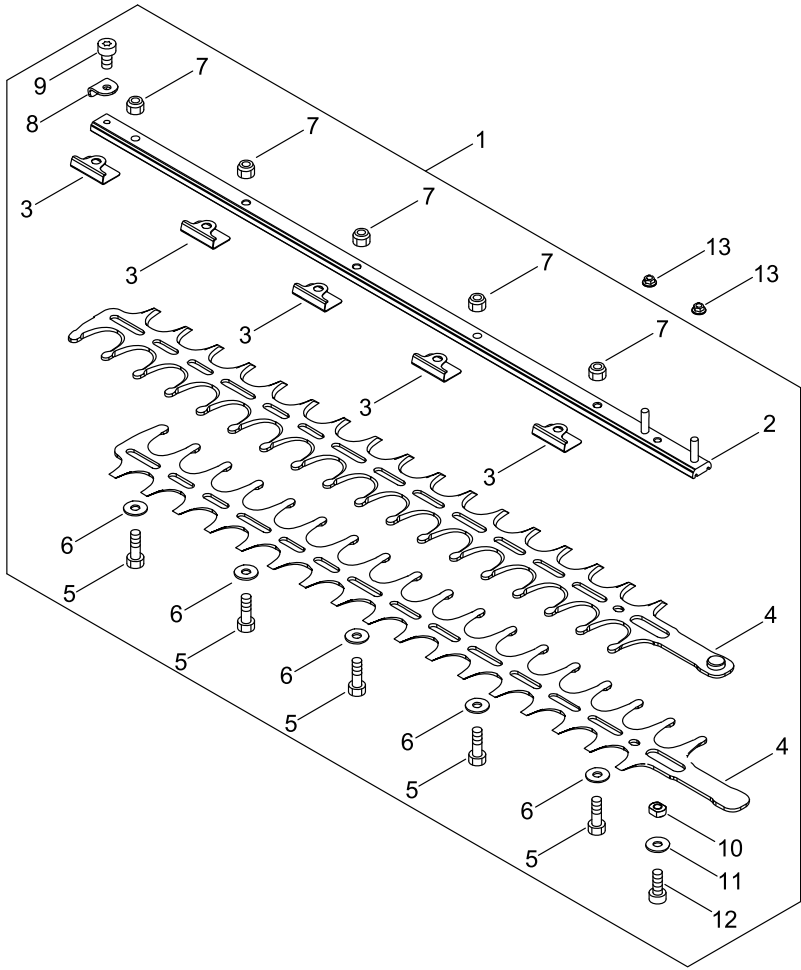
GEAR CASE



GEAR CASE

KEY NO	LV(+)	Part No	Description	Qty	Standard	Comment
48		M613-000250	KNOB	1		
49		900700-00005	E-RING 5	1	CE-5	

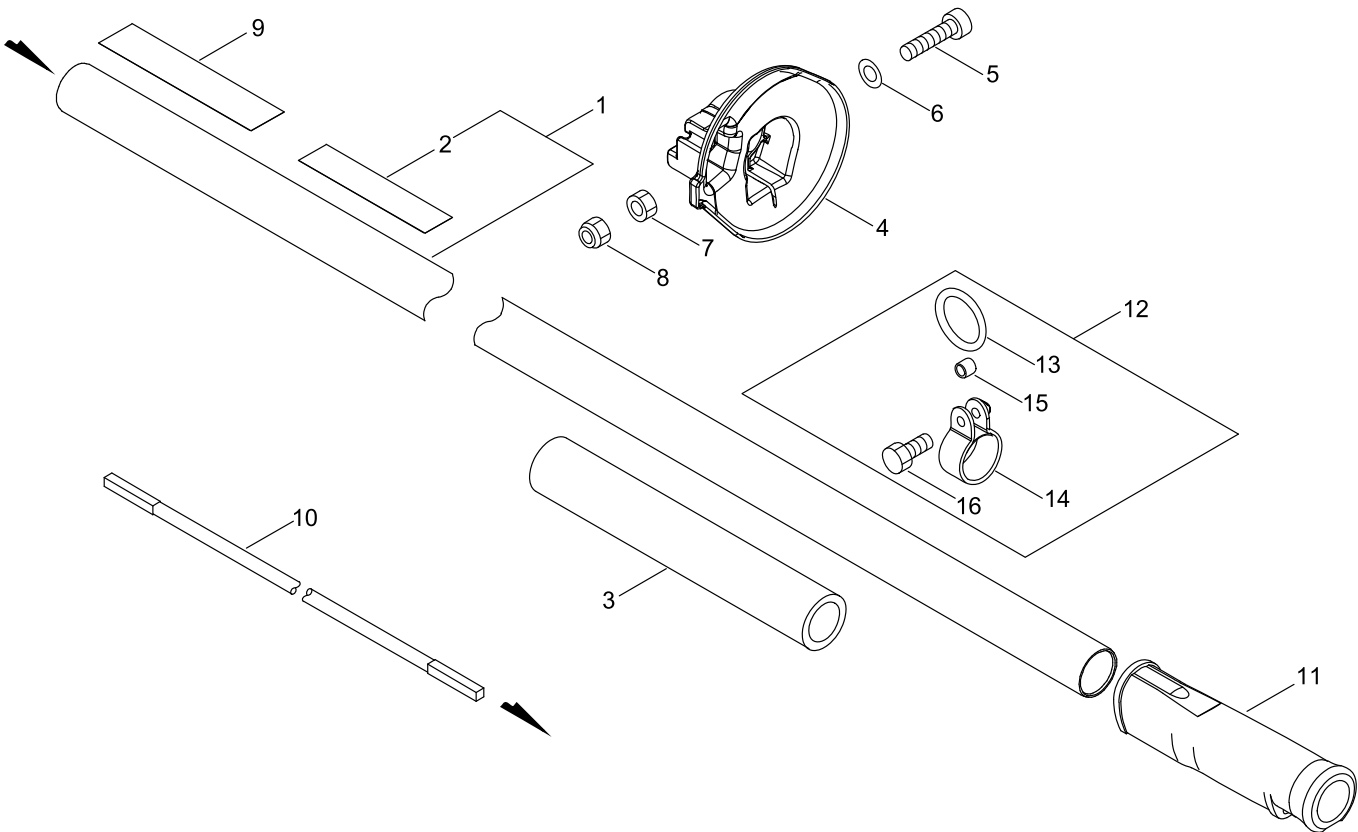
CUTTING BLADE



CUTTING BLADE

KEY NO	LV(+)	Part No	Description	Qty	Standard	Comment
1		X041-000510	CUTTER,ASM	1		
2	+	X425-000920	SUPPORT,CUTTER	1	600MM	
3	+	X425-000930	SUPPORT,CUTTER	5	T0.5	
4	+	X411-001320	CUTTER	2	600MM T2.0	
5	+	V204-000570	BOLT	5		
6	+	V304-000240	WASHER	5		
7	+	433022-06460	NUT	5		
8	+	J447-001050	GUARD	1	T1.6	
9	+	V805-000120	BOLT, TORX 5	1	TB-5*8 10.9	
10	+	V376-002130	SPACER	1		
11	+	V304-000240	WASHER	1		
12	+	V805-000250	BOLT, TORX 5	1	TB-5*16 12.9	
13		V263-000330	FLANGE NUT	2		

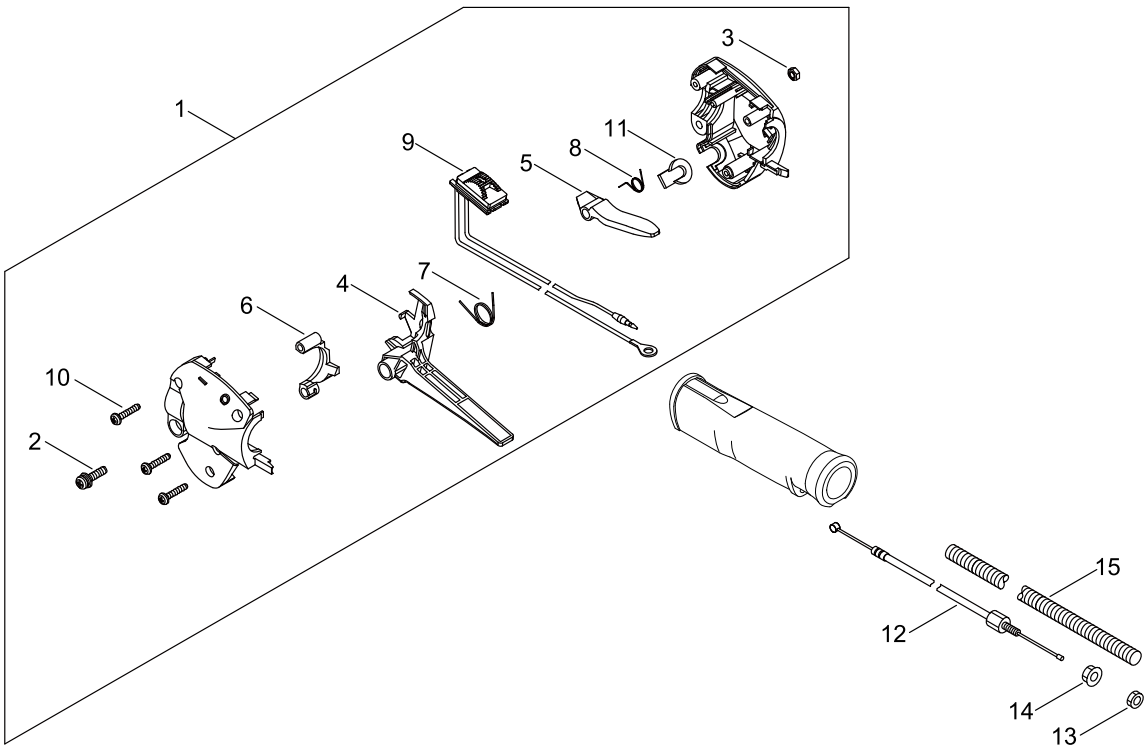
MAIN PIPE



MAIN PIPE

KEY NO	LV(+)	Part No	Description	Qty	Standard	Comment
1		P100-004140	MAIN PIPE ASY	1		
2	+	X505-002890	LABEL CAUTION	1		
3		C403-000470	GRIP	1		
4		C440-000100	GUARD, HAND	1		
5		V805-000060	BOLT, TORX 5	1	TB-5*35 10.9	
6		900603-00005	WASHER 5	1	5.5*12*0.8	
7		900500-00005	NUT 5	1	5	
8		900562-00005	NUT, LOCK	1	5	
9		X504-001100	LABEL TRADE	1		
10		C506-000390	SHAFT, FLEXIBLE	1	59.920 LNG	
11		C403-000612	GRIP, HANDLE	1		
12		P100-004100	HOOK ASY	1		
13	+	301016-52730	RING,HARNESS	1		
14	+	301207-08930	HOOK	1		
15	+	699012-03330	SPACER	1		
16	+	900100-05018	BOLT 5*18	1	5*18	

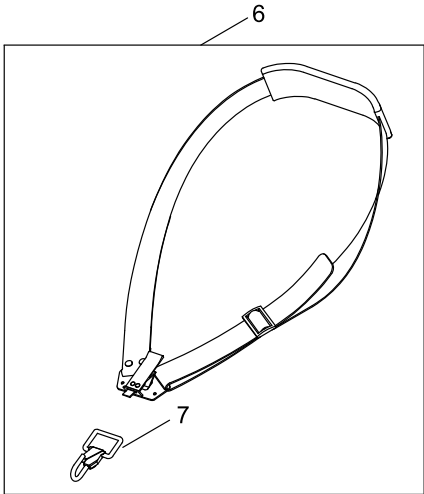
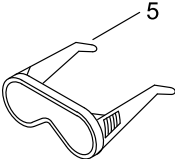
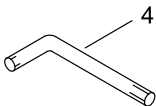
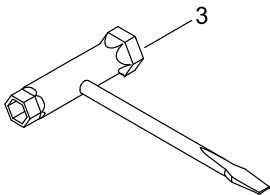
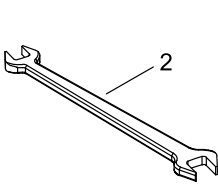
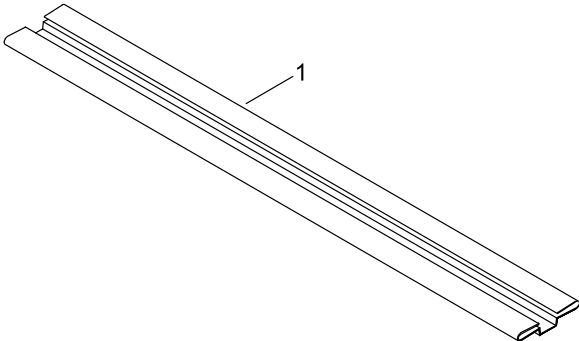
THROTTLE



THROTTLE

KEY NO	LV(+)	Part No	Description	Qty	Standard	Comment
1		P021-043720	THROTTLE LEVER ASY	1		
2	+	V805-000150	BOLT, TORX 5	1	TB-5*16 10.9	
3	+	900500-00005	NUT 5	1	5	
4	+	C450-000480	LEVER	1		
5	+	C460-000190	LOCK LEVER	1		
6	+	C461-000020	HOLDER	1		
7	+	P022-025820	SPRING, THR. RETURN	1		
8	+	V452-000500	COIL SPRING	1		
9	+	P022-035260	SWITCH, ON OFF	1		
10	+	P022-032480	SCREW	3		
11	+	P022-025790	PLUG	1		
12		V430-004510	CABLE,BOWDEN	1		
13		900502-00006	NUT 6 (3N)	1	3N6	
14		900518-00006	NUT, FLANGE	1	6	
15		V475-009240	TUBE	1		

ACCESSORIES



ACCESSORIES

KEY NO	LV(+)	Part No	Description	Qty	Standard	Comment
1		X495-000600	SCABBARD,BLADE	1	L=540	
2		895112-00330	SPANNER 8*10	1		
3		895410-03930	WRENCH, W/S. DRIVER	1		
4		X605-000170	TOOL,L WRENCH	1		
5		X690-000080	GOGGLE	1	SI CHINA, Z87.1	
6		C062-000390	STRAP ASSY	1		
7	+	C649-000200	HOOK	1		

NUMERICAL PARTS INDEX

Part No	Part description	Page	Part No	Part description	Page	Part No	Part description	Page
100013-11520	PIN, PISTON	2	900560-00006	NUT, LOCK	20	C403-000470	GRIP	26
100014-11520	SPACER, PISTON PIN	2	900562-00005	NUT, LOCK	26	C403-000480	HANDLE	20
100015-04630	CIRCLIP, PISTON PIN	2	900603-00005	WASHER 5	26	C403-000612	GRIP, HANDLE	26
100212-42031	OILSEAL	4	900603-00006	WASHER 6	20	C440-000100	GUARD, HAND	26
100242-42030	GASKET, CRANKCASE	4	900700-00005	E-RING 5	22	C450-000480	LEVER	28
101010-44332	GASKET, CYL. BASE	2	900701-00012	CIRCLIP 12	8	C460-000190	LOCK LEVER	28
125323-08260	ARM, VALVE	12	900701-00014	CIRCLIP 14	20	C461-000020	HOLDER	28
125337-08260	VALVE, INLET NEEDLE	12	900702-00024	CIRCLIP 24	20	C465-000030	RESETTER, LATCH	20
125338-13930	PIN, METERING ARM	12	900702-00028	CIRCLIP 28	8	C506-000390	SHAFT, FLEXIBLE	26
125339-42030	SCREW	12	900702-00032	CIRCLIP 32	20	C532-000360	ROD, CONNECTING	20
125342-52130	COVER, DIAPHRAGM	12	900706-00012	CIRCLIP 12	20	C534-001010	SHAFT, GEAR	20
125344-13931	SCREW	12	900724-00035	O-RING 35	20	C539-000160	LID,GEARCASE	20
125344-52130	SCREW	12	900800-36002	BEARING, BALL 6002	20	C649-000200	HOOK	30
129011-52730	PLATE, PREVENT	10	900807-06001	BEARING, BALL 6001	8	C661-000080	SAFTY LEVER	20
130017-44331	INSULATOR	10	900855-06901	BEARING, BALL 6901	20	C661-000150	LEVER, RELEASE	20
131016-55830	GASKET, FUEL CAP	14	900859-06901	BEARING, BALL	20	J447-001050	GUARD	24
132012-56030	PIPE	14	91463-06020	SCREW TRUSS	20	M613-000250	KNOB	22
132115-46730	GROMMET, FUEL	14	94004-36002	BEARING, BALL	20	P005-000010	STRAINER	12
145862-40630	SCREEN, MUFFLER	16	94035-36201	BEARING BALL	4	P005-000100	SCREW, THROTTLEADJUST	12
159116-21231	CLAMP	4	A011-001410	CRANKSHAFT,ASY	2	P005-000190	E-RING	12
162014-27230	LEAD, GROUND	4	A021-003881	CARBURETOR, DIAPHRAGM	10	P005-000200	GASKET, METERING	12
175005-48931	DRUM, CLUTCH	8	A021-003881	CARBURETOR, DIAPHRAGM	12	P005-000250	RETAINER	12
177228-27030	GRIP, STARTER	18	A051-001312	STARTER,RECOIL ASY	18	P005-000270	SCREW	12
177236-61830	SCREW	18	A052-000180	PULLEY,ASM STARTER	18	P005-000280	O-RING	12
301016-52730	RING,HARNESS	26	A056-000780	CLUTCH ASY	8	P005-000510	DIAPHRAGM, PUMP	12
301207-08930	HOOK	26	A101-000090	RING,PISTON	2	P005-000520	GASKET, PUMP	12
433022-06460	NUT	24	A130-002100	CYLINDER	2	P005-001000	ROLLER, GUIDE	12
610910-55230	CUSHION	8	A160-002850	COVER,CYLINDER	2	P005-001240	POST	12
610922-27432	HOLDER	8	A172-003170	COVER,FAN	8	P005-001250	RETAINER,PLUG BALL	12
610923-55230	HOLDER	8	A226-001410	ELEMENT,AIR FILTER	10	P005-001260	SCREW,MAINN MIXTURE	12
699012-03330	SPACER	26	A259-000010	CAP,LIMITER	12	P005-001270	PLUG, H AJUST SCREW	12
890332-52730	LABEL, CHOKE	10	A313-000600	GUIDE,EXH	16	P005-001890	BASE, ASY PRIMER	12
895112-00330	SPANNER 8*10	30	A320-000480	COVER,MUFFLER	16	P005-001900	SCREW	12
895410-03930	WRENCH, W/S. DRIVER	30	A350-000801	TANK, FUEL	14	P005-002230	DIAPHRAGM ,METERING	12
900100-05018	BOLT 5*18	26	A356-000031	VALVE,CHECK	14	P005-002430	SPRING, MET. LEVER	12
900162-05022	BOLT, H.S. 5*22	2	A365-000060	CONNECTOR,CAP	14	P005-003110	PUMP, PRIMER	12
900162-05028	BOLT, H.S. 5*28	4	A369-000480	STRAINER, FUEL	14	P021-007712	PISTON KIT	2
900175-05012	BOLT, H.S.H	20	A409-000160	ROTOR,MAGNETO	6	P021-035680	FUEL CAP ASY	14
900330-40080	PIN F 4*8	8	A411-000130	COIL,IGNITION	6	P021-043720	THROTTLE LEVER ASY	28
900500-00005	NUT 5	10	A425-000000	SPARKPLUG	6	P021-047570	GEAR,BEVEL SET	20
900500-00005	NUT 5	26	A426-000010	TERMINAL,SPARKPLUG	6	P021-047652	MUFFLER ASY	16
900500-00005	NUT 5	28	A427-000013	CAP,SPARK PLUG	6	P021-047820	CASE ASY, GEAR	20
900502-00006	NUT 6 (3N)	20	C062-000390	STRAP ASSY	30	P021-051470	FAN COVER ASY	8
900502-00006	NUT 6 (3N)	28	C226-000070	PIN,CONTROL	20	P021-051510	CLEANER CASE ASY	10
900518-00006	NUT, FLANGE	28						

NUMERICAL PARTS INDEX

Part No	Part description	Page	Part No	Part description	Page
P022-002100	E-RING	18	V485-001120	LEAD	6
P022-006510	SPRING, RETURN	18	V490-001240	CLIP	14
P022-006850	PAWL, STARTER	18	V494-000880	CAP	20
P022-008270	SPRING,DAMPER	18	V494-000891	CAP	20
P022-019680	SPRING, SPIRAL	18	V541-000570	SEAL	20
P022-019990	ROPE, STARTER	18	V553-000060	BEARING,NEEDLE 8	2
P022-025790	PLUG	28	V650-000661	GEAR,SPUR	20
P022-025820	SPRING, THR. RETURN	28	V651-001000	GEAR,BEVEL	20
P022-032480	SCREW	28	V655-000090	SHAFT,PINION	20
P022-034030	PLATE, CAM	18	V804-000030	BOLT, TORX 4	16
P022-034040	DRUM, STARTER	18	V804-000060	BOLT, TORX 4	8
P022-035260	SWITCH, ON OFF	28	V804-000060	BOLT, TORX 4	18
P022-036970	CASE,STARTER	18	V804-000070	BOLT, TORX 4	6
P022-037670	STOPPER, ROPE	18	V804-000110	BOLT, TORX 4	20
P100-001870	CRANKCASE SET	4	V805-000000	BOLT, TORX 5	2
P100-004080	CASE,GEAR ASY	20	V805-000000	BOLT, TORX 5	16
P100-004100	HOOK ASY	26	V805-000060	BOLT, TORX 5	26
P100-004130	LID,CLEANER ASY	10	V805-000100	BOLT, TORX 5	10
P100-004140	MAIN PIPE ASY	26	V805-000120	BOLT, TORX 5	24
V103-001360	GASKET,INTAKE	10	V805-000130	BOLT, TORX 5	4
V103-001390	GASKET,INTAKE	10	V805-000130	BOLT, TORX 5	20
V104-000850	GASKET,EXHAUST	16	V805-000150	BOLT, TORX 5	2
V104-001761	GASKET,EXHAUST	16	V805-000150	BOLT, TORX 5	16
V110-000180	GASKET,GEAR CASE	20	V805-000150	BOLT, TORX 5	28
V150-000371	PLATE,EYE	16	V805-000160	BOLT, TORX 5	8
V150-003941	PLATE,EYE	20	V805-000160	BOLT, TORX 5	10
V187-000080	GREASE NIPPLE	20	V805-000160	BOLT, TORX 5	14
V204-000570	BOLT	24	V805-000170	BOLT, TORX 5	20
V204-000580	PIN RATCHET	20	V805-000190	BOLT, TORX 5	16
V263-000330	FLANGE NUT	24	V805-000250	BOLT, TORX 5	24
V299-000520	KNOB,FASTENER	10	V805-000300	BOLT, TORX 5	20
V304-000240	WASHER	24	X041-000510	CUTTER,ASM	24
V340-000300	SHIM	20	X411-001320	CUTTER	24
V347-000030	CONE WASHER	20	X425-000920	SUPPORT,CUTTER	24
V354-000320	COLLAR	20	X425-000930	SUPPORT,CUTTER	24
V356-000730	COLLAR,10	20	X495-000600	SCABBARD,BLADE	30
V376-002130	SPACER	24	X504-001100	LABEL TRADE	26
V430-004510	CABLE,BOWDEN	28	X504-007680	LABEL,BRAND	18
V450-001930	SPRING,COMPRESSION	20	X505-002890	LABEL CAUTION	26
V452-000500	COIL SPRING	28	X505-007710	LABEL,CAUTION	2
V452-000710	COIL SPRING	20	X562-000750	LABEL,SHINDAIWA	2
V470-000840	PIPE	14	X605-000170	TOOL,L WRENCH	30
V471-001210	PIPE	14	X690-000080	GOGGLE	30
V475-007200	TUBE	6			
V475-009240	TUBE	28			