

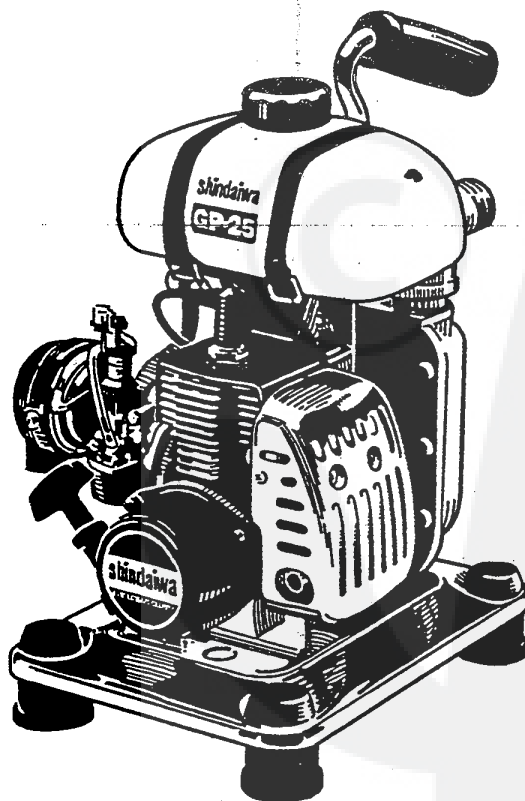
# shindaiwa®

**ILLUSTRATED PARTS LIST**

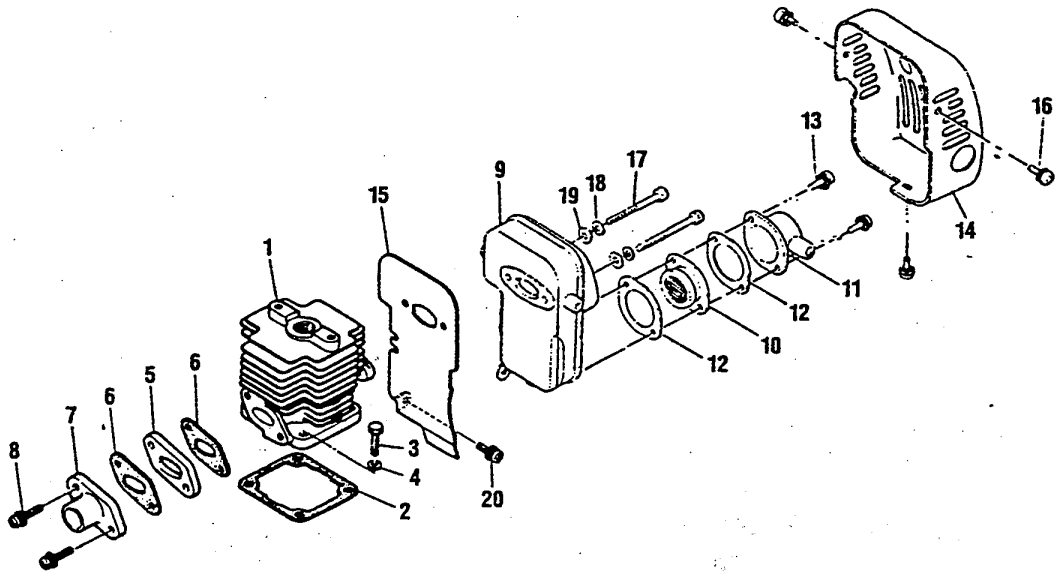
**PIEZAS DE REPUESTO**

**LE RÉPERTOIRE DES PIÈCES ILLUSTRÉS**

## GP-25



**GP25**  
**CYLINDER**  
**CILINDRO**  
**CYLINDRE**



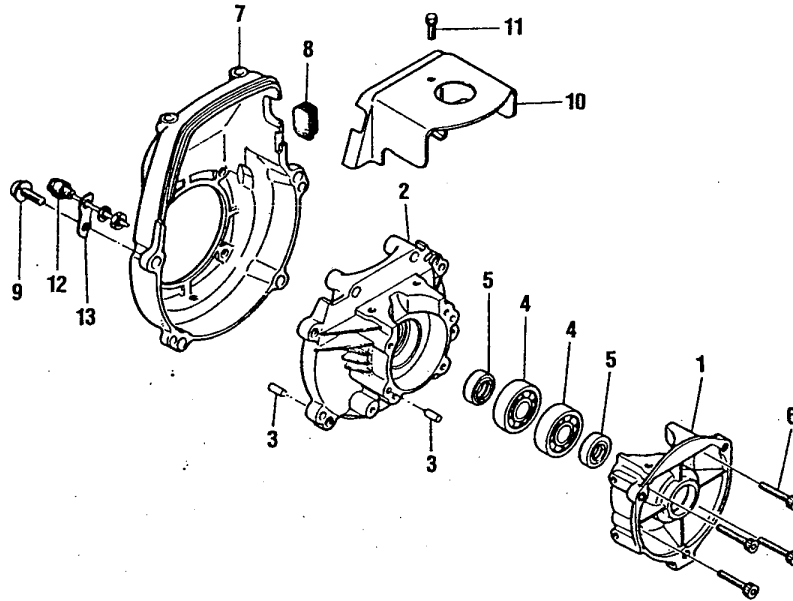
Index No. Indice	Part No. Pieza No. Numero	Part Name	Descripción	Nom de la pièce	Quant. Cant.	Remarks Notas Note	Rank
1	20003-12112	CYLINDER	CILINDRO	CYLINDRE	1		D
2	20000-12120	GASKET, CYLINDER	EMPAQUETADURA	JOINT CYLINDRE	1		B
3	01020-05180	BOLT	PERNO	BOULON	4		D
4	01600-05131	SPRING WASHER	ARANDELA MUELLE	RONDELLE A RESSORT	4		D
5	20003-12210	INSULATOR	INSULADOR	ISOLATEUR	1		B
6		GASKET, INSULATOR	EMPAQUETADURA INSULADOR	JOINT	2	ORDER 20003-12910	—
7	20003-12231	INLET PIPE	TUBERIA	TUYAU D'ADMISSION	1		D
8	01213-05250	SCREW	TORNILLO	VIS	2		D
	70000-15100	MUFFLER SUB ASSY	SILENCIADOR COMPLETO	SILENCIEUX	1		C
9		MUFFLER	SILENCIADOR	SILENCIEUX	1	ORDER 70000-15100	—
10	70000-15120	ARRESTOR	GUARDACHISPAS	PARE ETINC.	1		C
11	70000-15130	CAP, MUFFLER	TAPA	BOUCHON SILENCIEUX	1		C
12	70000-15140	GASKET, ARRESTOR	EMPAQUETADURA	JOINT	2		C
13	01213-04080	SCREW	TORNILLO	VIS	2		D
14	70000-15150	GUARD, MUFFLER	PROTECTOR	PROTECTEUR	1		C
15	20000-15131	INSULATOR, MUFFLER	INSULADOR	ISOLATEUR	1		B
16	01213-04080	SCREW	TORNILLO	VIS	3		D
17	01020-05500	BOLT	PERNO	BOULON	2		D
18	01600-05131	SPRING WASHER	ARANDELA MUELLE	RONDELLE A RESSORT	2		D
19	01610-05080	WASHER	ARANDELA	RONDELLE	2		D
20	01213-05120	SCREW	TORNILLO	VIS	1		D

# GP25

## CRANK CASE, FAN COVER

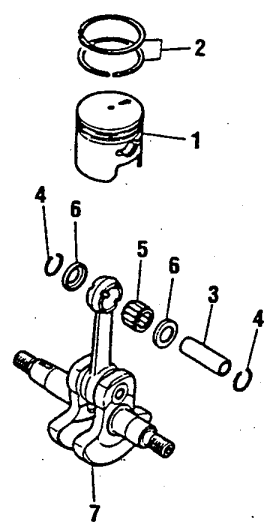
### CARTER, TAPA

### CARTER DE MANIVELLE



Index No. Indice	Part No. Pieza No. Numero	Part Name	Descripción	Nom. de la pìece	Quant. Cant.	Remarks Notas Note	Rank
	20003-21000	CRANKCASE ASSY	CARTER COMPLETO	CARTER DE MANIVELLE	1		D
1	20003-21110	CRANKCASE (S)	TAPA (S)	CARTER DE MANIVELLE	1		D
2	20003-21120	CRANKCASE (M)	TAPA (M)	CARTER DE MANIVELLE	1		D
3	20000-21140	DOWEL PIN	PASADOR	GOUPILLE	4		D
4	02030-06201	BEARING	COJINETE	ROULEMENT	2		C
5	20000-21211	OIL SEAL	RETEN	JOINT STANCHEITE	2		C
6	01020-05250	BOLT	PERNO	BOULON	4		D
7	20003-31110	FAN COVER	TAPA	CAGE DU VENTILATEUR	1		D
8	20003-72120	GROMMET (B)	RETENEDOR (B)	PASSE-CABLE B	1		C
9	01213-05200	SCREW	TORNILLO	VIS	4		D
10	70006-31210	CYLINDER COVER	TAPA	COVERCLE CYLINDRE	1		D
11	01017-05120	BOLT	PERNO	ROULON	1		D
12	22011-11411	SWITCH	INTERRUPTOR	COMMUTEUR	1		D
	20000-72520	BRACKET	ABRAZADERA	CONSOLE	1		D

**GP25**  
**CRANK SHAFT**  
**CIGUEÑAL**  
**VILEBREQUIN**



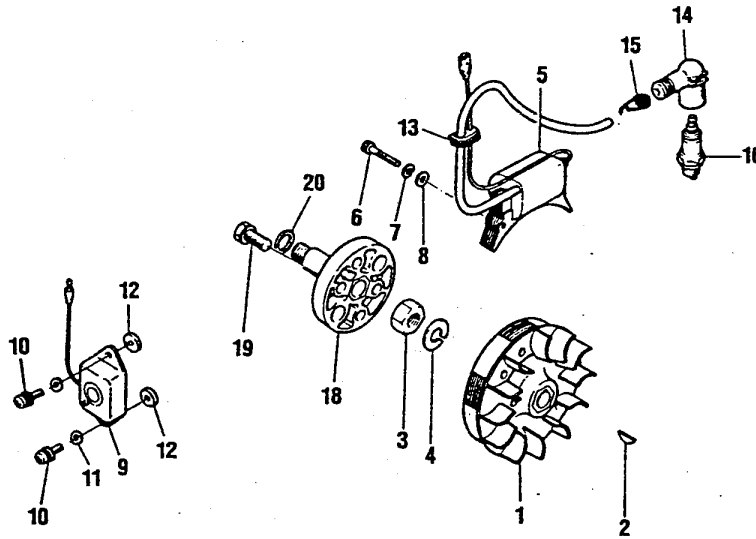
Index No. Indice	Part No. Pieza No. Numero	Part Name	Descripción	Nom de la pièce	Quant. Cart.	Remarks Notas Note	Rank
1	20000-41111	PISTON	PISTON	PISTON	1		C
2	20000-41210	RING	ANILLO	SEGMENT DE PISTON	2		B
3	20000-41310	PISTON PIN	PASADOR	AXE DE PISTON	1		C
4	20000-41320	SNAP RING	ANILLO RETENEDOR	ANNEAU	2		B
5	20000-41330	BEARING	COJNETE	ROULEMENT	1		C
6	20000-41341	THRUST WASHER	ARANDELA DE PRESION	RONDELLE	2		C
7	20000-42001	CRANK SHAFT ASSY	CIGUEÑAL COMPLETO	VILEBREQUIN	1		D

# GP25

## IGNITION SYSTEM

## SISTEMA DE ENCENDIDO

## ALLUMAGE



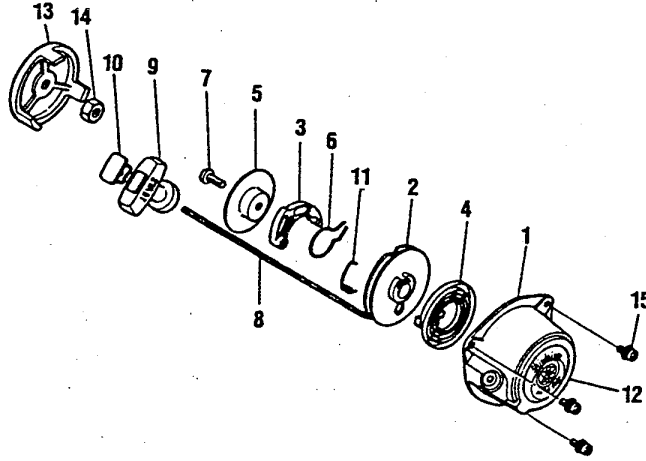
Index No. Indice	Part No. Pieza No. Numero	Part Name	Descripción	Nom de la pièce	Quant. Cant.	Remarks Notas Note	Rank
1	20003-71200	ROTOR	VOLANTE	VOLANT	1		D
2	22100-43210	KEY	CHAVETA	CLE-CLAVETTE	1		C
3	22100-43231	NUT	TUERCA	ECROU	1		D
4	01600-08201	SPRING WASHER	ARANDELA MUELLE	RONDELLE A RESSORT	1		D
5	70000-71612	COIL	RETENEDOR	BOBINE	1		D
6	01020-04200	BOLT	PERNO	BOULON	2		D
7	01600-04101	SPRING WASHER	ARANDELA MUELLE	RONDELLE A RESSORT	2		D
8	01610-04050	WASHER	ARANDELA	RONDELLE	2		D
9	70000-71710	UNIT	UNIDAD ELECTRONICA	UNITE TRANSISTOR	1		D
10	01211-04120	SCREW	TORNILLO	VIS	2		D
	20010-71650	WASHER	ARANDELA	RONDELLE	2		D
	20000-71810	INSULATOR	INSULADOR	ISOLATEUR	2		D
13	20003-72110	GROMMET, A	RETENEDOR, A	PASSE-CABLE, A	1		C
14	22102-72220	PLUG CAP	TAPON DE BUJIA	BOUCHON	1		A
15	20000-72230	SPRING, SPARK PLUG	RESORTE DE BUJIA	RESSORT BOUGIE	1		A
16		SPARK PLUG	BUJIA	BOUGIE	1		A
18	20003-58111	PUMP SHAFT	EJE DE BOMBA	AXE DE POMPE	1		D
19	01011-08250	BOLT	PERNO	BOULON	2		D
20	99900-00596	SPACER	ESPACIADOR	ENTRETOISE	1		D
						REPLACES 20003-58110	D
						DISCONTINUED	D

**GP25**

**STARTER**

**ARRANCADOR**

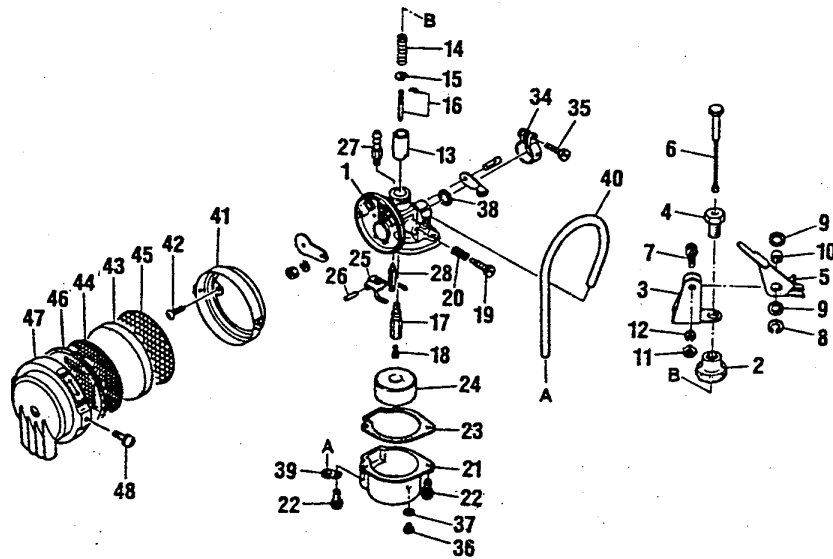
**DEMARREUR**



Index No. Indice	Part No. Pieza No. Numero	Part Name	Descripción	Nom de la pièce	Quant. Cant.	Remarks Notas Note	Rank
	70005-75100	STARTER SUB ASSY	ARRANCADOR COMPLETO	DEMARREUR COMPLET	1		D
1		STARTER CASE	TAPA	BOITER DEMARREUR	1	ORDER 70005-75100	—
2	20000-75120	REEL	TAMBOR	BOBINE	1		D
3	20000-75130	RATCHET	TRINQUETE	ROCHET	1		D
4	20000-75140	RECOIL SPRING	RESORTE ESPIRAL	RESSORT	1		C
5	20000-75150	PLATE, FRICTION	PLACA FRICCION	PLAQUE DE FRICTION	1		D
6	20000-75160	SPRING, FRICTION	RESORTE FRICCION	RESSORT DE FRICTION	1		D
7	20000-75170	SCREW	TORNILLO	VIS	1		D
8	20000-75180	ROPE	CUERDA	CORDE	1		B
9	20000-75190	KNOB, STARTER	ASIDERO	POIGNEE DE DEMARREUR	1		C
10	20000-75210	CAP, KNOB	TAPA	POIGNEE	1		C
11	20000-75220	RETURN SPRING	RESORTE	RESSORT DE RAPPEL	1		D
12	70005-75240	NAME PLATE	PLACA DE MARCA	PLAQUE IDENTIFICATION	1		D
13	70000-75230	STARTER PULLEY	POLEA	POULIE DU DEMARREUR	1		D
14	01501-08051	NUT	TUERCA	ECROU	1		D
15	01213-05160	SCREW	TORNILLO	VIS	3		D

# GP25

## CARBURETOR CARBURADOR CARBURATEUR



Index No. Indice	Part No. Pieza No. Numero	Part Name	Descripción	Nom de la pièce	Quant. Cant.	Remarks Notas Note	Rank
	20003-81000	CARBURETOR ASSY	CARBURADOR COMPLETO	CARBURATEUR	1		D
1		BODY	CUERPO	CORPS	1		D
	20003-81800	THROTTLE LEVER ASSY	ACELERADOR COMPLETO	LEVIER ACC.	1	ORDER 20003-81800	—
2	20000-81910	BODY CAP	TAPA	PAPILLON	1		D
3		LEVER HOLDER	RETENEDOR	SUPPORT DU LEVIER	1		D
4		HOLDER BOLT	PERNO	SUPPORT DE LA COURROIE	1	ORDER 20003-81800	D
5		THROTTLE LEVER	ACELERADOR	LEVIER DE ACCELERAT	1		D
6		THROTTLE WIRE	CABLE	CABLE ACC.	1		C
7		SCREW	TORNILLO	VIS	1		D
8		SPRING WASHER	ARANDELA MUELLE	RONDELLE A RESSORT	1		D
		GASKET	EMPAQUETADURA	JOINT	2		D
		COLLAR	COLLAR	COLLET	1		D
11		NUT	TUERCA	ECROU	1		D
12		SPRING WASHER	ARANDELA MUELLE	RONDELLE A RESSORT	1		D
13	20010-81180	THROTTLE VALVE	VALVULA ACELERADOR	SOUPAPE	1		C
14	20003-81140	THROTTLE SPRING	RESORTE ACELERADOR	RESSORT ACCELERAT	1		D
15	20000-81150	SPRING RECEIVE	SOPORTE RESORTE	ATTACHE RE.	1		C
16	20001-81210	JET NEEDLE	AGUJA	VIS AJUSTEM.	1		C
17	20010-81230	NEEDLE JET	AGUJA	VIS DE REGLAGE	1		D
18	20001-81240	MAIN JET	AGUJA CENTRAL	GICLEUR	1		D
19	20000-81310	SLOW SCREW	TORNILLO BAJA VEL	VIS RALENTI	1		D
20	20010-81820	SPRING	RESORTE	RESSORT	1		D
21	20001-81310	FLOAT CHAMBER	CAMARA DEL FLOTADOR	CHAMBRE DE LA FLOTTE	1		D
22	20010-81320	SCREW	TORNILLO	VIS	2		D
23		GASKET	EMPAQUETADURA	JOINT	1		D
24	20010-81340	FLOAT	FLOTADOR	FLOTTE	1	ORDER KIT 20010-81910	—
25	20001-81350	FLOAT HINGE	MANUBRIO FLOTADOR	LEVIER DE LA FLOTTE	1		C

Index No. Indice	Part No. Pieza No. Numero	Part Name	Descripción	Nom de la pièce	Quant. Cant.	Remarks Notas Note	Rank
26	20001-81360	HINGE PIN	PASADOR MANUBRIO	GOUGEÓN DE LA FLOTTE	1		C
27	20001-81370	NEEDLE SEAT	ASIENTO AGUJA	SIEGE, VIS D'AJUSTEM	1		C
28	20010-81380	NEEDLE VALVE	VALVULA AGUJA	POINTEAU	1		B
34	20010-81511	BODY BAND	ABRAZADERA	SUPPORT DU BOITIER	1		D
35	20010-81521	BOLT	PERNO	BOULON	1		D
36	20010-81560	BOLT	PERNO	BOULON	1		D
37		GASKET	EMPAQUETADURA	JOINT	1		D
38		FLANGE PACKING	EMPAQUETADURA	JOINT	1	ORDER KIT 20010-81910	—
39	20001-81910	STAY	PLACA	SUPPORT	1	ORDER KIT 20010-81910	—
40	20001-81921	PIPE	TUBERIA	TUYAU	1		D
	20000-81701	AIR CLEANER ASSY	FILTRO DE AIRE COMP	FILTRE AIR	1		C
	20000-81710	CLEANER BODY	CUBIEXTA	BOITIER DU FILTRE AIR	1		D
42	20000-81730	SCREW	TORNILLO	VIS	2		D
43	20000-81740	FILTER	FILTRO	FILTRE	1		B
44	20000-81750	NET	RED	GRILLE	1		C
45	20010-81760	NET (B)	RED (B)	GRILLE B	1		C
46	20000-81760	SEAL	SELLO	BAQUE	1		B
47	20000-81770	CLEANER COVER	TAPA DEL FILTRO	COUVERCLE DU FILTRE	1		D
48	20000-81735	SCREW	TORNILLO	VIS	2		D
	20010-81910	GASKET KIT	JUEGO DE EMPAQUETADURAS	ENS.-JOINTS	1		B
23		GASKET	EMPAQUETADURA	JOINT	1	ORDER KIT 20010-81910	—
37		GASKET	EMPAQUETADURA	JOINT	1	ORDER KIT 20010-81910	—
38		GASKET	EMPAQUETADURA	JOINT	1	ORDER KIT 20010-81910	—

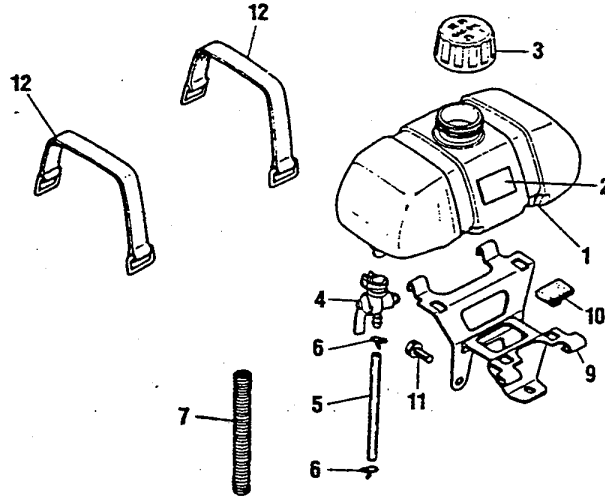


**GP25**

**FUEL TANK**

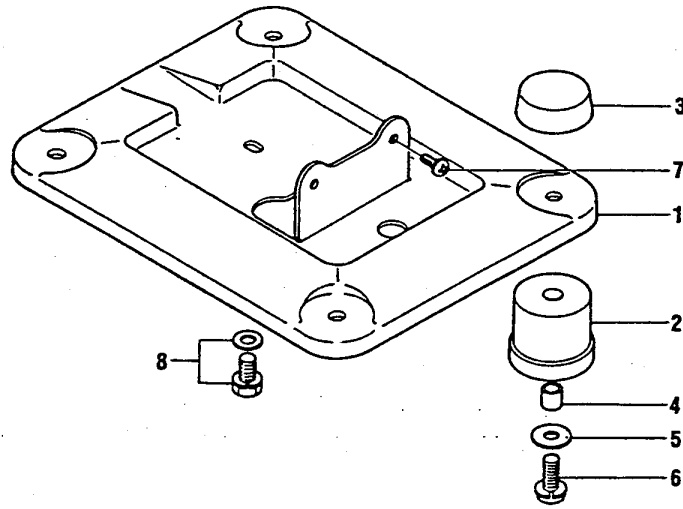
**TANQUE DEL COMBUSTIBLE**

**RESERVOIR A ESSENCE**



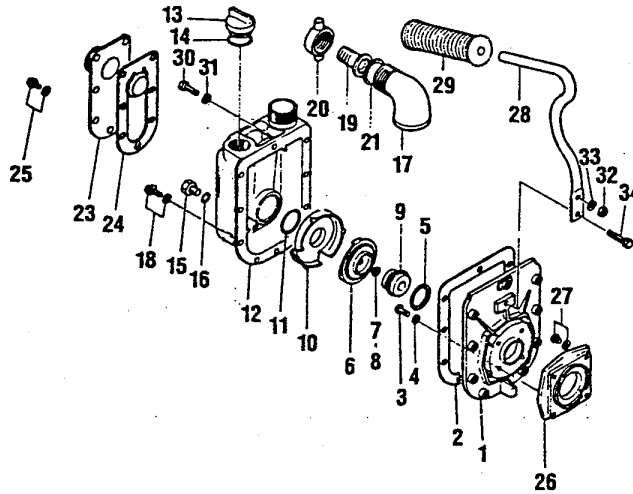
Index No. Indice	Part No. Pieza No. Numero	Part Name	Descripción	Nóm de la pièce	Quant. Cant.	Remarks Notas Note	Rank
	70006-85000	FUEL TANK ASSY	TANQUE DE COMBUSTIBLE COMP.	RESERVOIR A ESSENCE	1		D
1		FUEL TANK	TANQUE DE COMBUSTIBLE	RESERVOIR A ESSENCE	1	ORDER 70006-85000	—
2	70006-85120	NAME PLATE	PLACA DE MARCA	PLAQUE IDENTIFICATION	1		D
3	20010-85200	FUEL CAP ASSY	TAPÁ COMPLETO	BOUCHON ESSENCE	1		C
4	20001-85300	FUEL COCK ASSY	LLAVE DEL COMBUSTIBLE	SOUPAPE	1		D
5	20003-85410	FUEL PIPE	TUBERIA	TUBE A ESSENCE	1		B
6	20000-85332	CLIP	ANILLO DE RETENCION	ATTACHE	2	DISCONT.	B
7	20003-85510	SPRING, FUEL PIPE	RESORTE	RESSORT, TUBE ESSENCE	1		C
9	20003-86111	TANK BRACKET	ABRAZADERA	SUPPORT DU RESERVOIR	1		D
10	20003-86130	CUSHION	COJIN	COUSSIN	4		C
11	01017-05120	BOLT	PERNO	BOULON	2		D
12	20001-86140	BAND	CORREA	SUPPORT	2		C

**GP25**  
**BED**  
**BASE**  
**BASE**



Index No. Indice	Part No. Pieza No. Numero	Part Name	Descripción	Nom de la pièce	Quant. Cant.	Remarks Notas Note	Rank
1	22901-21112	BED	BASE	BASE	1		D
	22901-21300	CUSHION ASSY	AMORTIGUADOR CAUCHO COMP.	COUSSIN C.	4		D
2		CUSHION	AMORTIGUADOR CAUCHO	COUSSIN	4		D
3	22901-21320	CAP, CUSHION	TAPA	CAPOUT-COUSSIN	4	ORDER 22901-21300	D
4	22901-21330	SPACER	BOQUILLA	CALE	4		D
5	22901-21340	WASHER	ARANDELA	RONDELLE	4		D
6	01211-06200	SCREW	TORNILLO	VIS	4		D
7	01211-05120	SCREW	TORNILLO	VIS	2		D
8	01017-06120	BOLT	PERNO	BOULON	1		D

**GP25**  
**PUMP UNIT**  
**BOMBA UNIDAD**  
**POMPE**

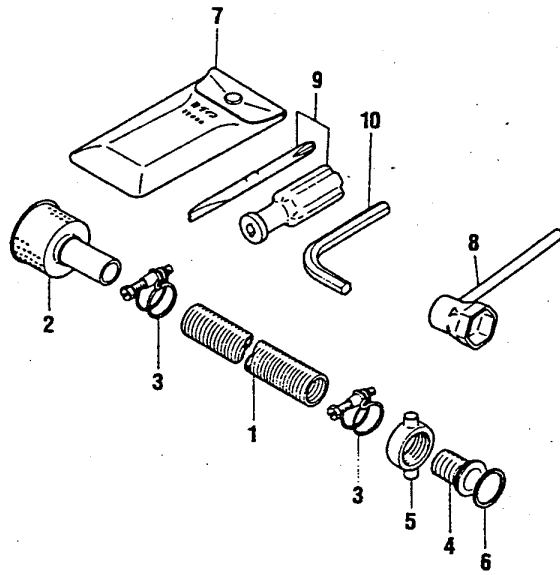


Index No. Índice	Part No. Pieza No. Numero	Part Name	Descripción	Nóm de la pièce	Quant. Cant.	Remarks Notas Note	Rank
1	22901-11110	END PLATE	BASE	PLAQUE DE BOUT	1		D
2	22901-11120	GASKET	EMPAQUETADURA	JOINT	1		B
3	01210-06160	SCREW	TORNILLO	VIS	4		D
4	22901-11130	WASHER	ARANDELA	RONDELLE	4		B
5	22901-12310	GASKET	EMPAQUETADURA	JOINT	1		B
6	22901-12110	IMPELLER	HELICE	HELICE DE POMPE	1		B
7	22901-12120	SHIM	ESPACIADOR	CALE	1-3		C
8	22901-12121	SHIM	ESPACIADOR	CALE	1		A
9	22901-12200	SEAL ASSY	RETEN COMPLETO	JOINT ETANCHEITE	1		A
10	22901-13110	VOLUTE CASE	CUBIERTA	CAGE	1		D
	22901-13120	O-RING	ANILLO	JOINT TORIQUE O	1		C
	22901-14110	PUMP BODY	BOMBA	BOITIER DE POMPE	1		D
13	22901-14120	CAP	TAPA	BOUCHON	1		A
14	22901-14130	O-RING	ANILLO	JOINT TORIQUE O	1		A
15	22901-14141	BOLT	PERNO	BÓULON	1		A
16	22901-14151	GASKET	EMPAQUETADURA	JOINT	1		A
17	22901-14160	ELBOW	CODDO	COUDE	1		D
18	01213-06200	SCREW	TORNILLO	VIS	9		D
	22901-14200	JOINT DELIVERY ASSY	UNION COMPLETO	RACCORD	1		C
19	22901-14210	JOINT	UNION	RACCORD	1		C
20	22901-31220	NUT	TUERCA	ECROU DU BOYAU	1		C
21	22901-31230	GASKET	EMPAQUETADURA	JOINT	1		A
							D
23	22901-15110	SUCTION COVER	TAPA DE SUCCION	COUVERCLE ASPIRATION	1		D
24	22901-15210	CHECK VALVE	VALVULA DE CONTROL	SOUPAPE	1		C
25	01213-06140	SCREW	TORNILLO	VIS	1		D
26	22901-16110	ADAPTER	ADAPTADOR	RACCORD	1		C

Index No. Índice	Part No. Pieza No. Numero	Part Name	Descripción	Nom de la pièce	Quant. Cant.	Remarks Notas Note	Rank
27	01210-05160	SCREW	TORNILLO	VIS	4		D
	22901-21200	HANDLE ASSY	MANGO COMPLETO	POIGNEE C.	1		D
28	22901-21211	HANDLE	MANGO	POIGNEE	1		D
29	22901-21220	GRIP	MANILLA	POIGNEE	1		D
30	01010-06300	BOLT	PERNO	BOULON	1		D
31	01610-06080	WASHER	ARANDELA	RONDELLE	1		D
32	01500-06050	NUT	TUERCA	ECROU	1		D
33	01600-06151	SPRING WASHER	ARANDELA MUELLE	RONDELLE A RESSORT	1		D
34	01017-06150	BOLT	PERNO	BOULON	1		D

**GP25**

**HOSE, TOOL SET**  
**MANGUERA, HERRAMIENTAS**  
**TUBE, ACCESSOIRES**



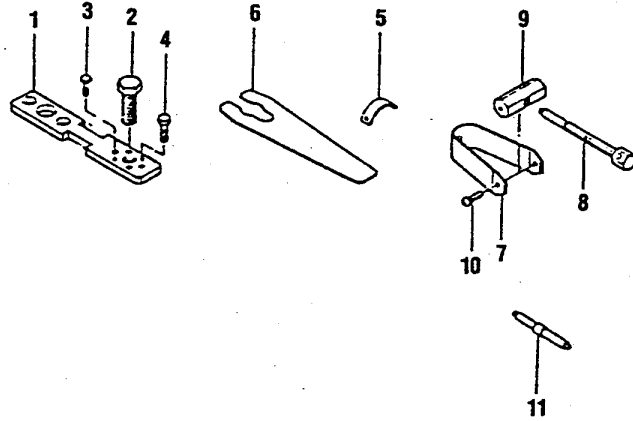
Index No. Indice	Part No. Pieza No. Numero	Part Name	Descripción	Nom de la pièce	Quant. Cant.	Remarks Notas Note	Rank
	22901-31100	SUCTION HOSE ASSY	MANGUERA DE SUCCION COMP	TUBE-ASPIRATION	1		D
1		SUCTION HOSE	MANGUERA SUCCION	TUBE-ASPIRATION	1		D
2	22901-31120	STRAINER	FILTRO	FILTRE	1	ORDER 22901-31100	—
3	22901-31130	CLAMP	ABRAZADERA	COLLET	2		D
	22901-31200	JOINT ASSY	UNION COMPLETO	RACCORD	1		C
4	22901-31210	JOINT	UNION	RACCORD	1		C
5	22901-31220	NUT	TUERCA	ECROU	1		C
6	22901-31230	GASKET	EMPAQUETADURA	JOINT	1		A
	22900-91001	TOOL SET	JUEGO DE HERRAMIENTAS	JEU D'OUTILS	1		D
7	22000-91110	TOOL BAG	BOLSA DE HERRAMIENTAS	SAC A OUTILS	1		D
	22900-91180	WRENCH (19)	LLAVE (19)	CLE (19)	1		D
	22100-91150	DRIVER	DESTORNILLADOR	TOURNEVIS	1		D
10	22100-91560	WRENCH	LLAVE	CLE	1		D

# GP25

## OPTIONAL PARTS

## HERRAMIENTAS OPCIONALES

## PIECES OPTIONEL



Index No. Indice	Part No. Pieza No. Numero	Part Name	Descripción	Nom de la pièce	Quant. Cant.	Remarks Notas Note	Rank
	20000-96002	OPTIONAL TOOL SET	JUEGO DE HERRAMIENTAS	JEU D'OUTILS OPTION	1		D
1	20000-96112	LEVER	PALANCA	LEVIER	1		D
2	22100-96121	CENTER BOLT	PERNO CENTRAL	BOULON	1		D
3	20000-96130	BOLT	PERNO	BOULON	2	M6X1.0	D
4	20000-96140	BOLT	PERNO	BOULON	2	M8X1.25	D
5	20000-96210	AIR GAP GAUGE	ESPACIADOR	JAUGE DE BRECHE	1		D
6	20000-96411	ROTOR SPANNER	LLAVE DEL ROTOR	PLAQUE	1		D
7	20000-96611	PULLER	EXTRACTOR	LEVIER	1		D
8	20000-96621	BOLT	PERNO	BOULON	1		D
9	20000-96640	BOSS	BOQUILLA	MOYEU	1		D
10	01211-06120	SCREW	TORNILLO	VIS	2		D
11	20000-96631	GUIDE PIN	PASADOR	AXE DE GUIDE	1		D