

**shindaiwa<sup>®</sup>**

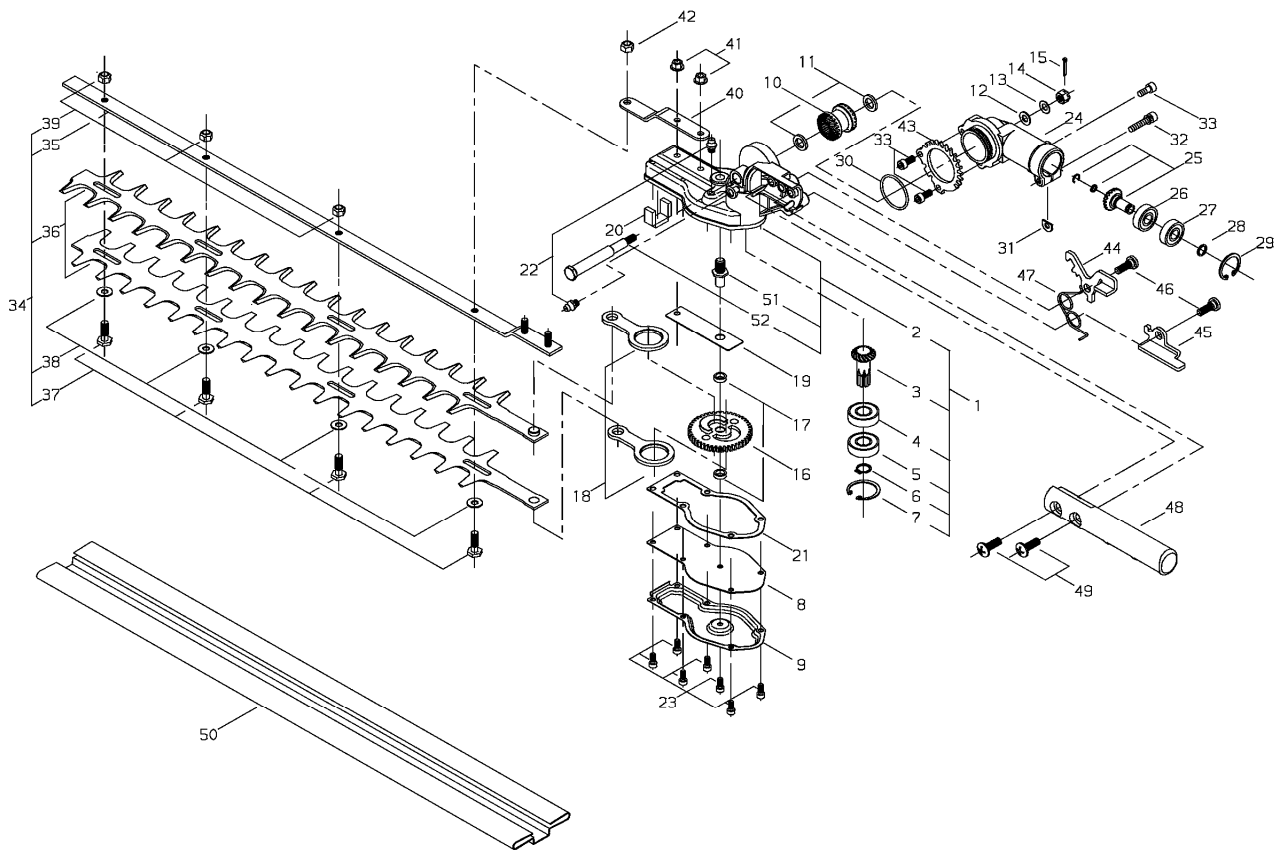
# **PARTS CATALOG**

## **MULTI-TOOL SYSTEM SBA-AH2422 EU**

- 3725

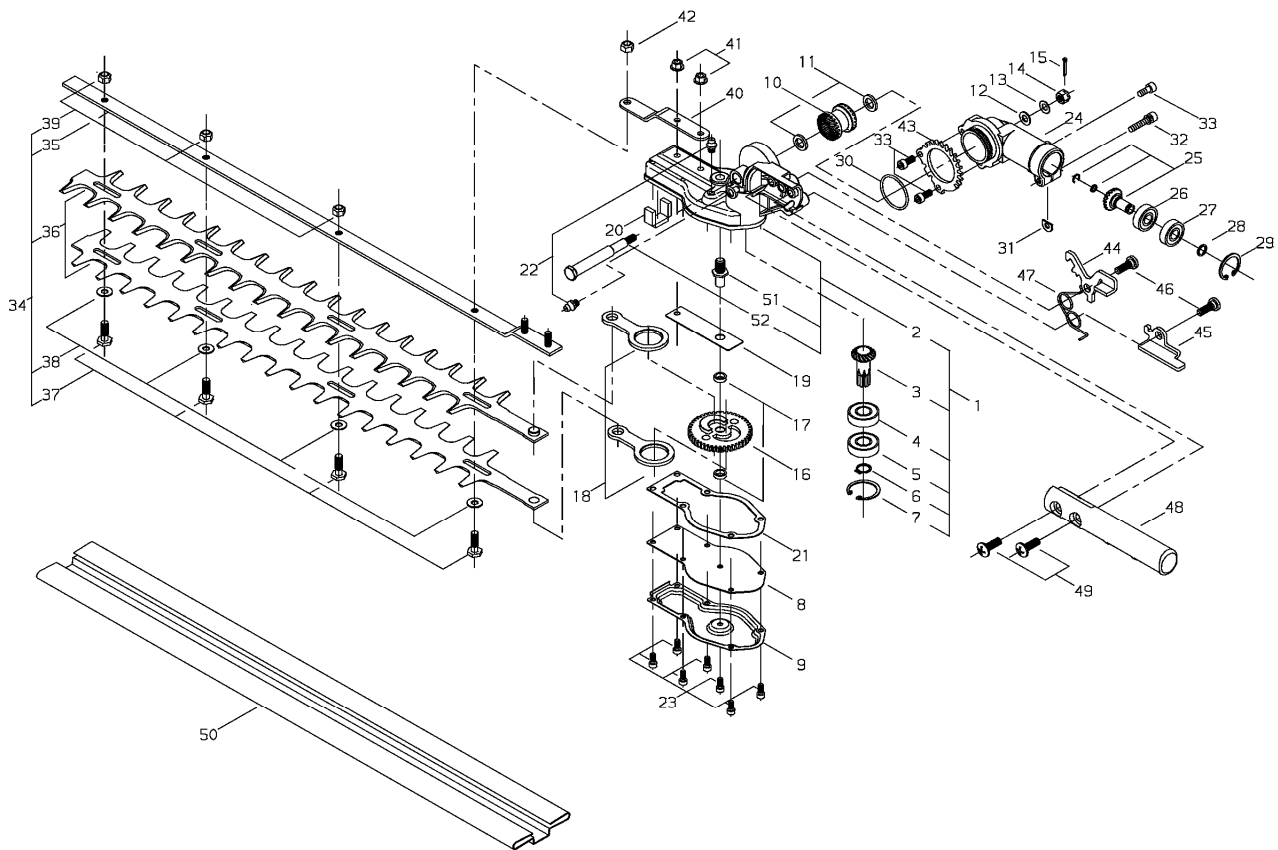
SBA-AH2422 EU

## 1. GEAR CASE, CUTTER



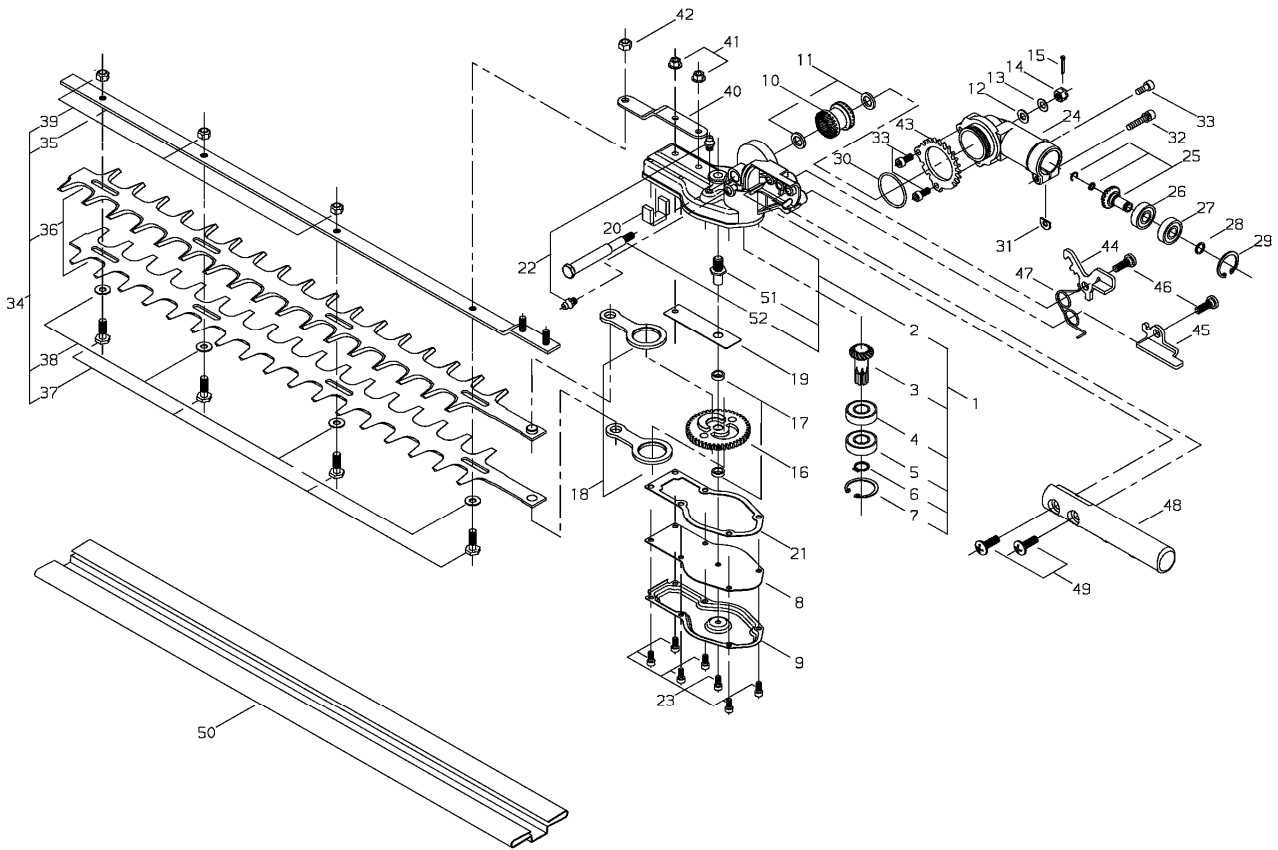
KEY	LV	PART NUMBER	Q'TY	DESCRIPTION	REMARKS	NOTE1	NOTE2
1		63840-61011	1	GEAR CASE COMP			
2	•	63840-61111	1	GEAR CASE			
3	•	63840-61330	1	PINION SHAFT			
4	•	02000-06001	1	BEARING		6001	
5	•	02002-06001	1	BEARING		6001ZZ	
6	•	02430-12100	1	SNAP RING			
7	•	02432-28120	1	SNAP RING			
8		68120-61120	1	CASE COVER			
9		63840-61340	1	COVER			
10		63840-61350	1	BEVEL GEAR			
11		15401-11010	2	COLLAR			
12		01613-06100	1	WASHER		φ6	
13		20024-81790	1	CONE WASHER			
14		63840-61370	1	NUT			
15		02421-16150	1	PIN		1.6X15	
16		68120-61130	1	CAM GEAR			
17		15401-10025	2	COLLAR			
18		68120-61170	2	ROD			
19		68120-61331	1	PLATE			
20		68120-61340	1	PACKING			
21		68120-61351	1	GASKET			
22		20870-61640	2	GREASE NIPPLE			
23		01020-04100	7	BOLT		M4X10	
24		63840-63310	1	GEAR CASE UPPER			
25		63840-63320	1	BEVEL PINION			
26		02000-00609	1	BEARING		609	

## 1. GEAR CASE, CUTTER



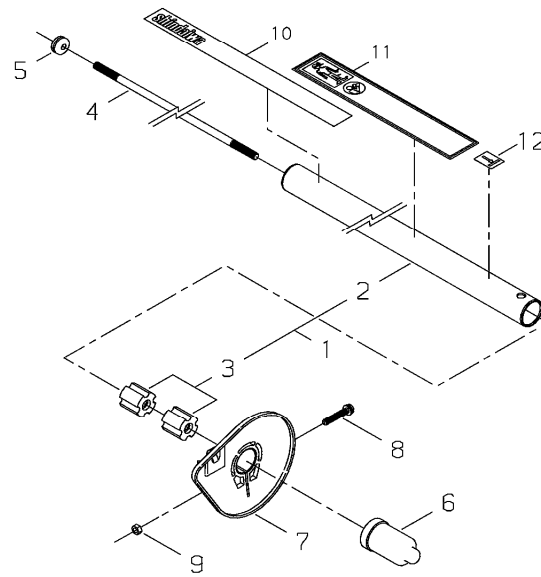
KEY	LV	PART NUMBER	Q'TY	DESCRIPTION	REMARKS	NOTE1	NOTE2
27		02002-00609	1	BEARING		609ZZ	
28		22420-13350	1	SNAP RING			
29		02432-24120	1	SNAP RING			
30		02304-03150	1	O RING		S31.5	
31		22000-13420	1	SHIM			
32		11023-05250	1	BOLT SW		M5X25	
33		01020-05120	3	BOLT	M5*12	M5X12	
34		68120-62010	1	CUTTER ASSY		(CARB · EPA · EMC)	
34		38121-62010	1	CUTTER ASSY		(CE · YB)	
35		18501-50000	1	GUIDE BAR			
36		18500-50100	2	BLADE		(CARB · EPA · EPA2 · EMC)	
36		18500-50102	2	BLADE		(CE · YB)	
37		20870-62110	4	BOLT			
38		20870-62131	4	WASHER			
39		22011-97840	3	LOCK NUT		M6	
40		68120-62331	1	HOLDER			
41		11526-05212	2	FLANGE NUT		M5	
42		22011-97840	1	LOCK NUT		M6	
43		63840-66310	1	ADJUST PLATE			
44		63840-66320	1	LOCK LEVER			
45		63840-66330	1	SAFTY LEVER			
46		22106-71441	2	PIN RATCHET			
47		17520-18601	1	COIL SPRING			
48		63840-66350	1	HANDLE			

# 1. GEAR CASE, CUTTER



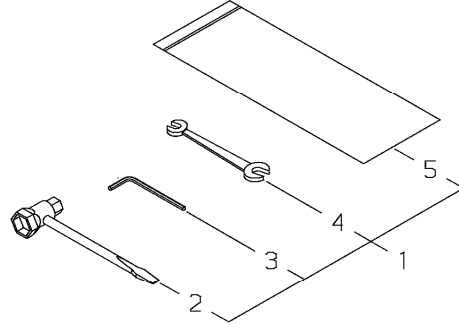
KEY	LV	PART NUMBER	Q'TY	DESCRIPTION	REMARKS	NOTE1	NOTE2
49		01215-06208	2	SCREW TRUSS		M6X20	
50		19601-01506	1	BLADE COVER			
51	•	68120-61320	1	MAIN SHAFT			
52	•	63840-61320	1	SHAFT			

## 2. OUTER PIPE



KEY	LV	PART NUMBER	Q'TY	DESCRIPTION	REMARKS	NOTE1	NOTE2
1		65001-62010	1	OUTER PIPE COMP			
2	•	65001-62110	1	OUTER PIPE		L745	
3	•	22035-12121	2	BUSH			
4		37000-62210	1	MAIN SHAFT		L767	
5		15250-10100	1	GROMMET			
6		20891-98180	1	LINER CAP			
7		63840-64340	1	PROTECTOR			
8		11207-05300	1	SCREW PM SLPW		M5x30	
9		01500-05041	1	NUT	M5	M5	
10		19420-00084	1	LABEL TRADE		shindaiwa,PROFES SIONAL	
11		19402-00225	1	LABEL CAUTION			
12		19401-00169	1	LABEL INST			

## 3. TOOL



KEY	LV	PART NUMBER	Q'TY	DESCRIPTION	REMARKS	NOTE1	NOTE2
1		78700-92010	1	TOOL SET			
2	•	22102-91410	1	PLUG WRENCH		10x19	
3	•	09026-04001	1	HEXA WRENCH	4MM M5㉿	4mm	
4	•	22000-91120	1	SPANNER		8x10	
5	•	19639-01100	1	POLY BAG		115x175 t0.04	

**Index**

<b>Patrs Number</b>	<b>Key No.</b>	<b>Patrs Number</b>	<b>Key No.</b>	<b>Patrs Number</b>	<b>Key No.</b>
01020-04100	1 - 23	63840-61340	1 - 9		
01020-05120	1 - 33	63840-61350	1 - 10		
01215-06208	1 - 49	63840-61370	1 - 14		
01500-05041	2 - 9	63840-63310	1 - 24		
01613-06100	1 - 12	63840-63320	1 - 25		
02000-00609	1 - 26	63840-64340	2 - 7		
02000-06001	1 - 4	63840-66310	1 - 43		
02002-00609	1 - 27	63840-66320	1 - 44		
02002-06001	1 - 5	63840-66330	1 - 45		
02304-03150	1 - 30	63840-66350	1 - 48		
02421-16150	1 - 15	65001-62010	2 - 1		
02430-12100	1 - 6	65001-62110	2 - 2		
02432-24120	1 - 29	68120-61120	1 - 8		
02432-28120	1 - 7	68120-61130	1 - 16		
09026-04001	3 - 3	68120-61170	1 - 18		
11023-05250	1 - 32	68120-61320	1 - 51		
11207-05300	2 - 8	68120-61331	1 - 19		
11526-05212	1 - 41	68120-61340	1 - 20		
15250-10100	2 - 5	68120-61351	1 - 21		
15401-10025	1 - 17	68120-62010	1 - 34		
15401-11010	1 - 11	68120-62331	1 - 40		
17520-18601	1 - 47	78700-92010	3 - 1		
18500-50100	1 - 36				
18500-50102	1 - 36				
18501-50000	1 - 35				
19401-00169	2 - 12				
19402-00225	2 - 11				
19420-00084	2 - 10				
19601-01506	1 - 50				
19639-01100	3 - 5				
20024-81790	1 - 13				
20870-61640	1 - 22				
20870-62110	1 - 37				
20870-62131	1 - 38				
20891-98180	2 - 6				
22000-13420	1 - 31				
22000-91120	3 - 4				
22011-97840	1 - 39				
22011-97840	1 - 42				
22035-12121	2 - 3				
22102-91410	3 - 2				
22106-71441	1 - 46				
22420-13350	1 - 28				
37000-62210	2 - 4				
38121-62010	1 - 34				
63840-61011	1 - 1				
63840-61111	1 - 2				
63840-61320	1 - 52				
63840-61330	1 - 3				

# YAMABIKO CORPORATION

7-2 SUEHIROCHO 1-CHOME, OHME, TOKYO 198-8760, JAPAN  
PHONE: 81-428-32-6118. FAX: 81-428-32-6145.

**shindaiwa<sup>®</sup>**



2 EU  
No.