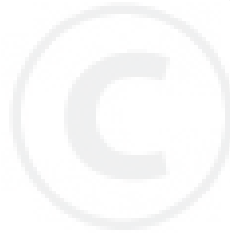


shindaiwa[®]

PARTS CATALOG

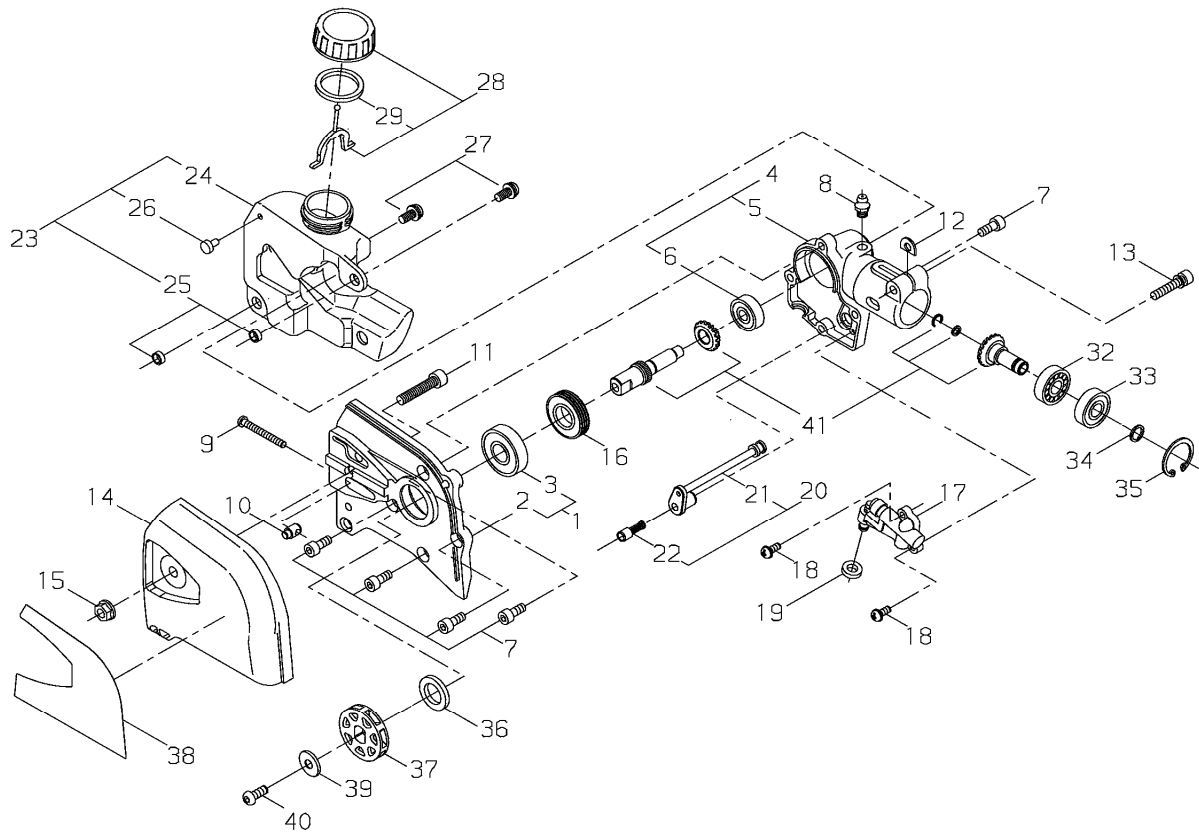
POLE PRUNER

SBA-P230



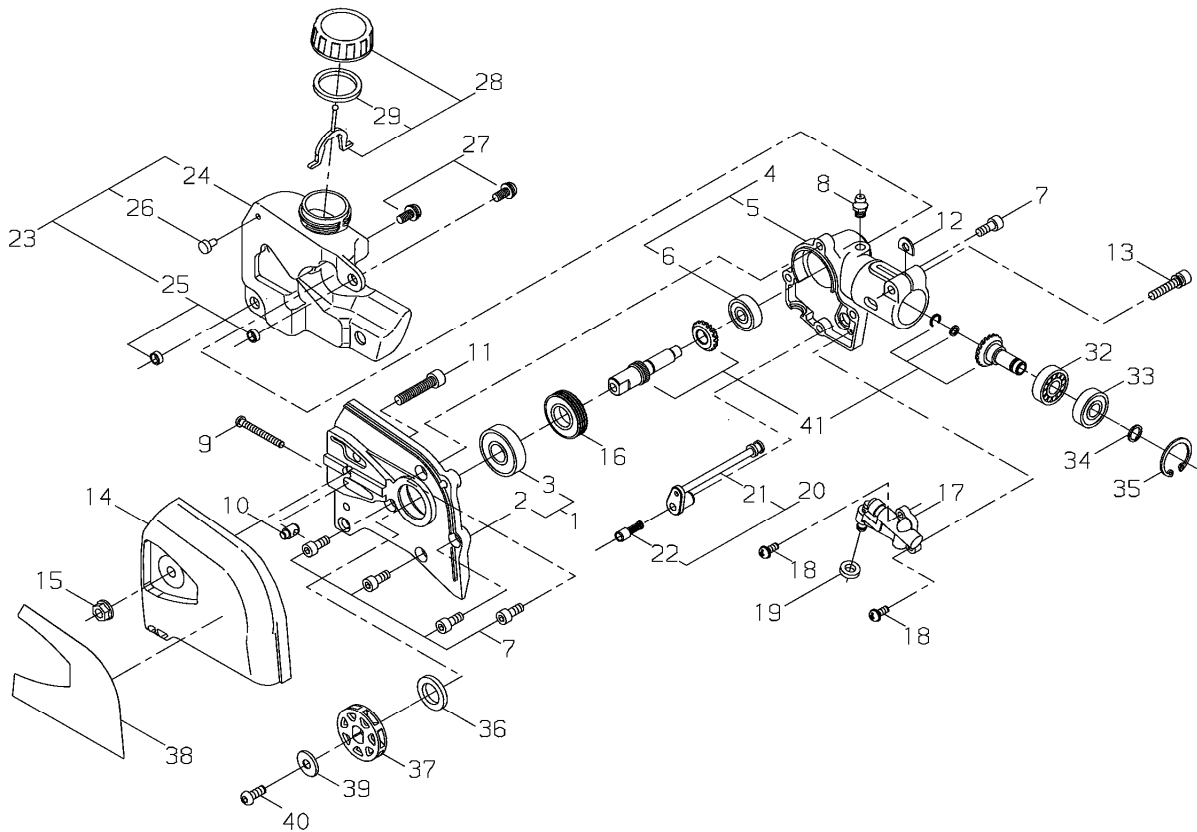
SBA-P230

1. Ref.1



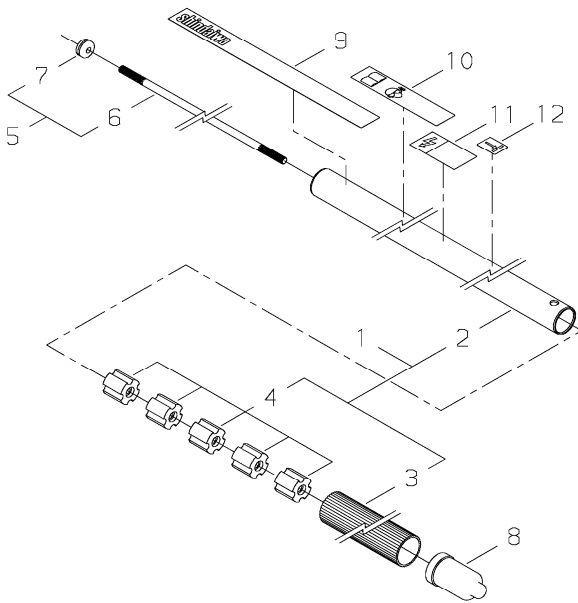
KEY	LV	PART NUMBER	Q'TY	DESCRIPTION	REMARKS	NOTE1	NOTE2
1		63880-61312	1	GEAR CASE LEFT COMP			
2	*	63880-61322	1	GEAR CASE LEFT			
3	*	02006-06001	1	BEARING	6001DDU	6001DDU	
4		63880-61332	1	GEAR CASE RIGHT COMP			
5	*	63880-61342	1	GEAR CASE RIGHT			
6	*	02002-00627	1	BEARING		627ZZ	
7		01020-05120	5	BOLT	M5*12	M5X12	
8		20870-61640	1	GREASE NIPPLE			
9		11260-04351	1	SCREW ADHESIVE		M4X35	
10		17110-04000	1	SLIDE PIECE			
11		01020-06300	1	BOLT		M6X30	
12		22000-13420	1	SHIM			
13		11023-05250	1	BOLT SW		M5X25	
14		63880-61350	1	BAR HOLDER			
15		11526-06100	1	NUT FLANGE		M6	
16		63880-62310	1	WORM GEAR			
17		22197-55201	1	OIL PUMP ASSY			
18		11205-04100	2	SCREW PM PW		M4X10	
19		63880-62320	1	GASKET PUMP			
20		63880-62330	1	OIL PIPE ASSY			
21	*	63880-62340	1	OIL PIPE			
22	*	63880-62350	1	FILTER			
23		63880-62361	1	OIL TANK ASSY			
24	*	63880-62381	1	OIL TANK			
25	*	17901-06030	2	COLLAR			
26	*	22115-57120	1	VALVE OIL TANK			

1. Ref.1



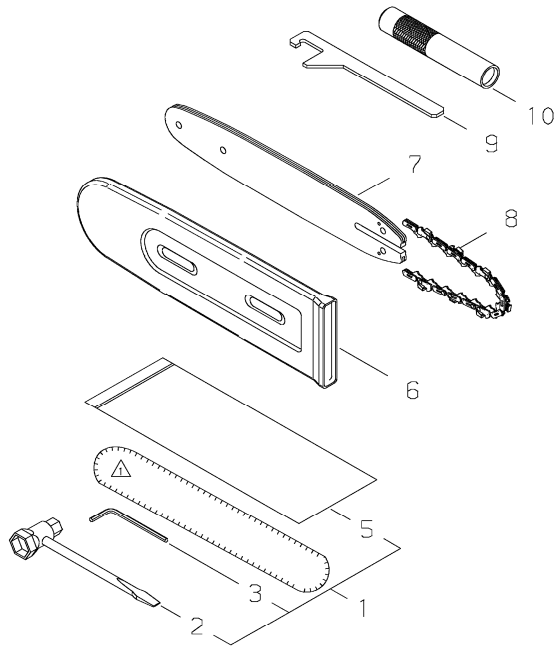
KEY	LV	PART NUMBER	Q'TY	DESCRIPTION	REMARKS	NOTE1	NOTE2
27		11207-05120	2	SCREW PM SLPW		M5X12	
28		63880-62391	1	OIL CAP ASSY			
29	*	70030-85221	1	GASKET CAP			
32		02000-00609	1	BEARING		609	
33		02002-00609	1	BEARING		609ZZ	
34		22420-13350	1	SNAP RING			
35		02432-24120	1	SNAP RING			
36		15401-21020	1	COLLAR			
37		12032-07102	1	SPROCKET			
38		19402-00172	1	LABEL CAUTION			
39		20870-62131	1	WASHER			
40		11210-06140	1	SCREW BUTTON		M6X14	
41		30880-98310	1	GEAR-S			

2. Ref.2



KEY	LV	PART NUMBER	Q'TY	DESCRIPTION	REMARKS	NOTE1	NOTE2
1		63880-64431	1	OUTER PIPE COMP			
2		63880-64441	1	OUTER PIPE			
3		63880-64450	1	GRIP			
4		22035-12121	5	BUSH			
5		63880-64460	1	MAIN SHAFT ASSY			
6		63880-64470	1	MAIN SHAFT			
7		15250-10100	1	GROMMET			
8		20891-98180	1	LINER CAP			
9		19420-00084	1	LABEL TRADE			
10		19402-00170	1	LABEL CAUTION			
11		19402-00173	1	LABEL CAUTION			
12		19401-00169	1	LABEL INST			

3. Ref.3



KEY	LV	PART NUMBER	Q'TY	DESCRIPTION	REMARKS	NOTE1	NOTE2
1		63880-64431	1	OUTER PIPE COMP			
2	*	63880-64441	1	OUTER PIPE			
3	*	63880-64450	1	GRIP			
4	*	22035-12120	5	BUSH			
5		63880-64460	1	MAIN SHAFT ASSY			
6	*	63880-64470	1	MAIN SHAFT			
7	*	15250-10100	1	GROMMET			
8		20891-98180	1	LINER CAP			
9		19420-00049	1	LABEL TRADE			
10		19402-00170	1	LABEL CAUTION			
11		19402-00173	1	LABEL CAUTION			

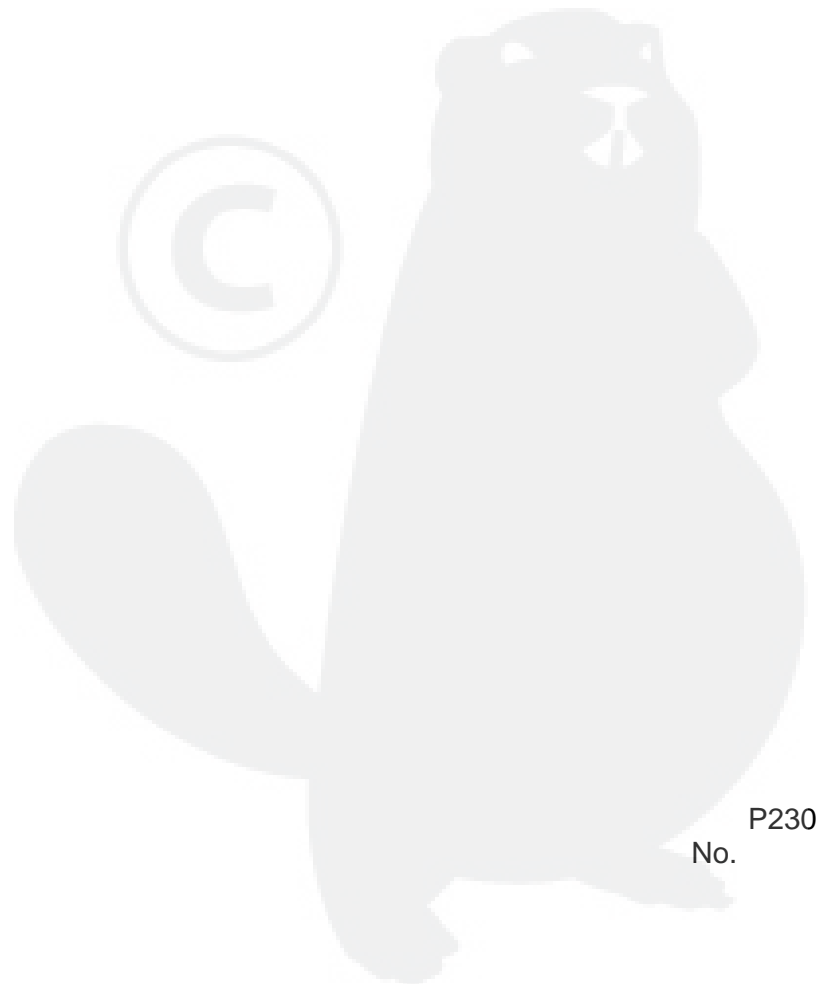
Index

Patrs Number	Key No.	Patrs Number	Key No.	Patrs Number	Key No.
01020-05120	1 - 7	63880-62381	1 - 24		
01020-06300	1 - 11	63880-62391	1 - 28		
02000-00609	1 - 32	63880-64431	2 - 1		
02002-00609	1 - 33	63880-64431	3 - 1		
02002-00627	1 - 6	63880-64441	2 - 2		
02006-06001	1 - 3	63880-64441	3 - 2		
02432-24120	1 - 35	63880-64450	2 - 3		
11023-05250	1 - 13	63880-64450	3 - 3		
11205-04100	1 - 18	63880-64460	2 - 5		
11207-05120	1 - 27	63880-64460	3 - 5		
11210-06140	1 - 40	63880-64470	2 - 6		
11260-04351	1 - 9	63880-64470	3 - 6		
11526-06100	1 - 15	70030-85221	1 - 29		
12032-07102	1 - 37				
15250-10100	2 - 7				
15250-10100	3 - 7				
15401-21020	1 - 36				
17110-04000	1 - 10				
17901-06030	1 - 25				
19401-00169	2 - 12				
19402-00170	2 - 10				
19402-00170	3 - 10				
19402-00172	1 - 38				
19402-00173	2 - 11				
19402-00173	3 - 11				
19420-00049	3 - 9				
19420-00084	2 - 9				
20870-61640	1 - 8				
20870-62131	1 - 39				
20891-98180	2 - 8				
20891-98180	3 - 8				
22000-13420	1 - 12				
22035-12120	3 - 4				
22035-12121	2 - 4				
22115-57120	1 - 26				
22197-55201	1 - 17				
22420-13350	1 - 34				
30880-98310	1 - 41				
63880-61312	1 - 1				
63880-61322	1 - 2				
63880-61332	1 - 4				
63880-61342	1 - 5				
63880-61350	1 - 14				
63880-62310	1 - 16				
63880-62320	1 - 19				
63880-62330	1 - 20				
63880-62340	1 - 21				
63880-62350	1 - 22				
63880-62361	1 - 23				

YAMABIKO CORPORATION

7-2 SUEHIROCHO 1-CHOME, OHME, TOKYO 198-8760, JAPAN
PHONE: 81-428-32-6118. FAX: 81-428-32-6145.

shindaiwa[®]



P230
No.