

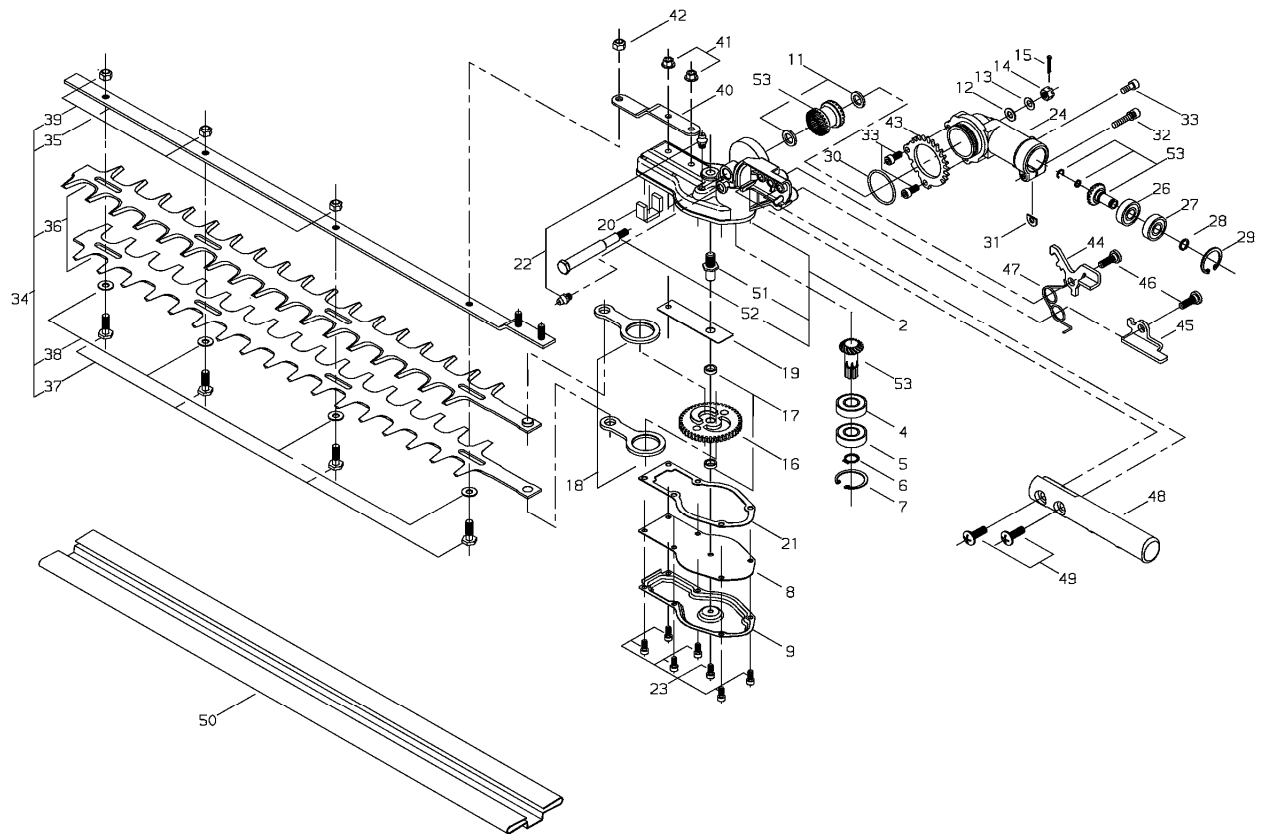
shindaiwa[®]

PARTS CATALOG
SHAFT HEDGE TRIMMER
SBA-AH230



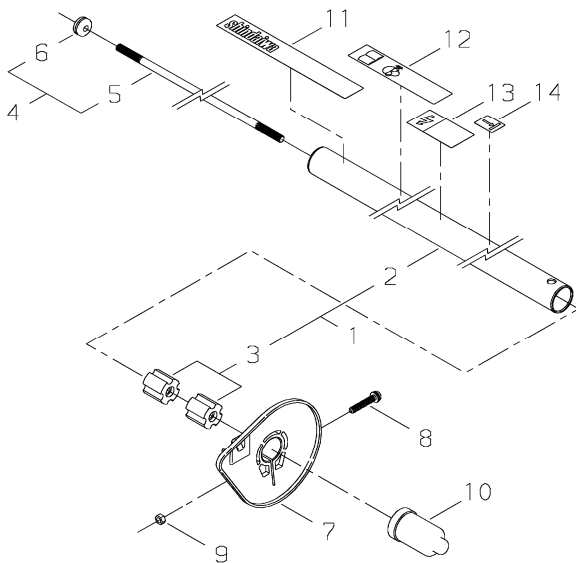
SBA-AH230

1. Ref.1



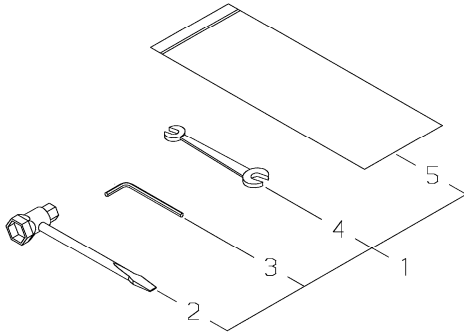
KEY	LV	PART NUMBER	Q'TY	DESCRIPTION	REMARKS	NOTE1	NOTE2
29		02432-24120	1	SNAP RING			
30		02304-03150	1	O RING		S31.5	
31		22000-13420	1	SHIM			
32		11023-05250	1	BOLT SW		M5X25	
33		01020-05120	3	BOLT	M5*12	M5X12	
34		68120-62010	1	CUTTER ASSY		CARB · EPA ·	
34		38121-62010	1	CUTTER ASSY		CE · YB	
35	*	18501-50000	1	GUIDE BAR			
36	*	18500-50100	2	BLADE		CARB · EPA · EPA2 · EMC	
36	*	18500-50102	2	BLADE		CE · YB	
37	*	20870-62110	4	BOLT			
38	*	20870-62131	4	WASHER			
39	*	22011-97840	3	LOCK NUT		M6	
40		68120-62331	1	HOLDER			
41		11526-05212	2	FLANGE NUT		M5	
42		22011-97840	1	LOCK NUT		M6	
43		63840-66310	1	ADJUST PLATE			
44		63840-66320	1	LOCK LEVER			
45		63840-66330	1	SAFTY LEVER			
46		22106-71441	2	PIN RATCHET			
47		17520-18601	1	COIL SPRING			
48		63840-66350	1	HANDLE			
49		01215-06208	2	SCREW TRUSS		M6X20	
50		19601-01506	1	BLADE COVER			
51		68120-61320	1	MAIN SHAFT			

2. Ref.2



KEY	LV	PART NUMBER	Q'TY	DESCRIPTION	REMARKS	NOTE1	NOTE2
1		65001-62010	1	OUTER PIPE COMP			
2	*	65001-62110	1	OUTER PIPE		φ24xL745	
3	*	22035-12121	2	BUSH			
4		65001-62040	1	MAIN SHAFT ASSY			
5	*	37000-62210	1	MAIN SHAFT		φ6xL767	
6	*	15250-10100	1	GROMMET			
7		63840-64340	1	PROTECTOR			
8		11207-05300	1	SCREW PM SLPW		M5x30	
9		01500-05041	1	NUT	M5	M5	
10		20891-98180	1	LINER CAP			
11		19420-00084	1	LABEL TRADE		shindaiwa,PROFES SIONAL	
12		19402-00170	1	LABEL CAUTION			
13		19402-00173	1	LABEL CAUTION			
14		19401-00169	1	LABEL INST			

3. Ref.3



KEY	LV	PART NUMBER	Q'TY	DESCRIPTION	REMARKS	NOTE1	NOTE2
1		65000-92010	1	TOOL SET			
2		22102-91410	1	PLUG WRENCH			
3		09026-04001	1	HEXA WRENCH	4MM M5㉿		
4		22000-91120	1	SPANNER			
5		19639-01100	1	POLY BAG			
6		65003-94011	1	MANUAL			
7		65003-95010	1	PACKAGE			

Index

Patrs Number	Key No.	Patrs Number	Key No.	Patrs Number	Key No.
01020-04100	1 - 23	63840-61340	1 - 9		
01020-05120	1 - 33	63840-61370	1 - 14		
01215-06208	1 - 49	63840-63310	1 - 24		
01500-05041	2 - 9	63840-64340	2 - 7		
01613-06100	1 - 12	63840-66310	1 - 43		
02000-00609	1 - 26	63840-66320	1 - 44		
02000-06001	1 - 4	63840-66330	1 - 45		
02002-00609	1 - 27	63840-66350	1 - 48		
02002-06001	1 - 5	65000-92010	3 - 1		
02304-03150	1 - 30	65001-62010	2 - 1		
02421-16150	1 - 15	65001-62040	2 - 4		
02430-12100	1 - 6	65001-62110	2 - 2		
02432-24120	1 - 29	65003-94011	3 - 6		
02432-28120	1 - 7	65003-95010	3 - 7		
09026-04001	3 - 3	68120-61120	1 - 8		
11023-05250	1 - 32	68120-61130	1 - 16		
11207-05300	2 - 8	68120-61170	1 - 18		
11526-05212	1 - 41	68120-61320	1 - 51		
15250-10100	2 - 6	68120-61331	1 - 19		
15401-10025	1 - 17	68120-61340	1 - 20		
15401-11010	1 - 11	68120-61351	1 - 21		
17520-18601	1 - 47	68120-62010	1 - 34		
18500-50100	1 - 36	68120-62331	1 - 40		
18500-50102	1 - 36				
18501-50000	1 - 35				
19401-00169	2 - 14				
19402-00170	2 - 12				
19402-00173	2 - 13				
19420-00084	2 - 11				
19601-01506	1 - 50				
19639-01100	3 - 5				
20024-81790	1 - 13				
20870-61640	1 - 22				
20870-62110	1 - 37				
20870-62131	1 - 38				
20891-98180	2 - 10				
22000-13420	1 - 31				
22000-91120	3 - 4				
22011-97840	1 - 39				
22011-97840	1 - 42				
22035-12121	2 - 3				
22102-91410	3 - 2				
22106-71441	1 - 46				
22420-13350	1 - 28				
30840-98310	1 - 53				
37000-62210	2 - 5				
38121-62010	1 - 34				
63840-61111	1 - 2				
63840-61320	1 - 52				

YAMABIKO CORPORATION

7-2 SUEHIROCHO 1-CHOME, OHME, TOKYO 198-8760, JAPAN
PHONE: 81-428-32-6118. FAX: 81-428-32-6145.

shindaiwa[®]



H230
No.