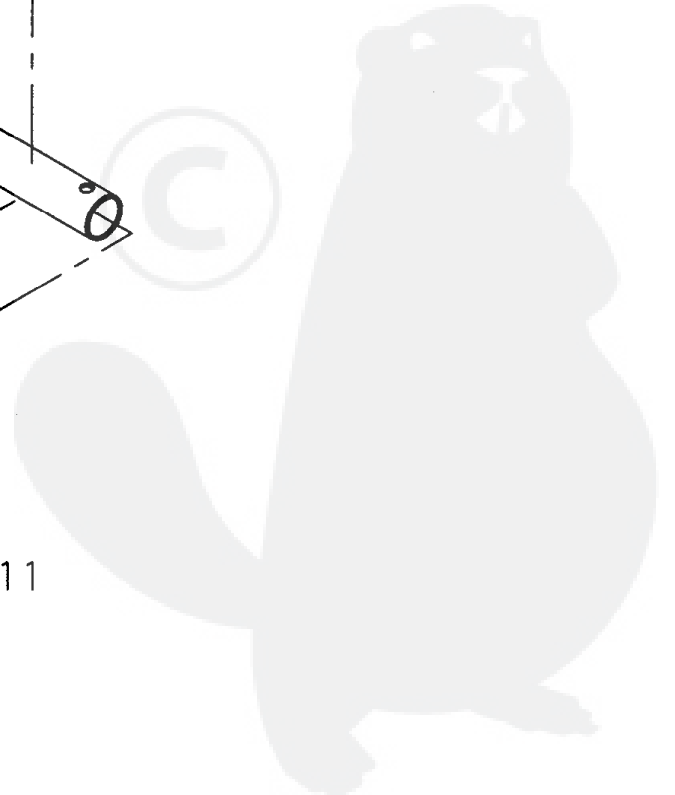
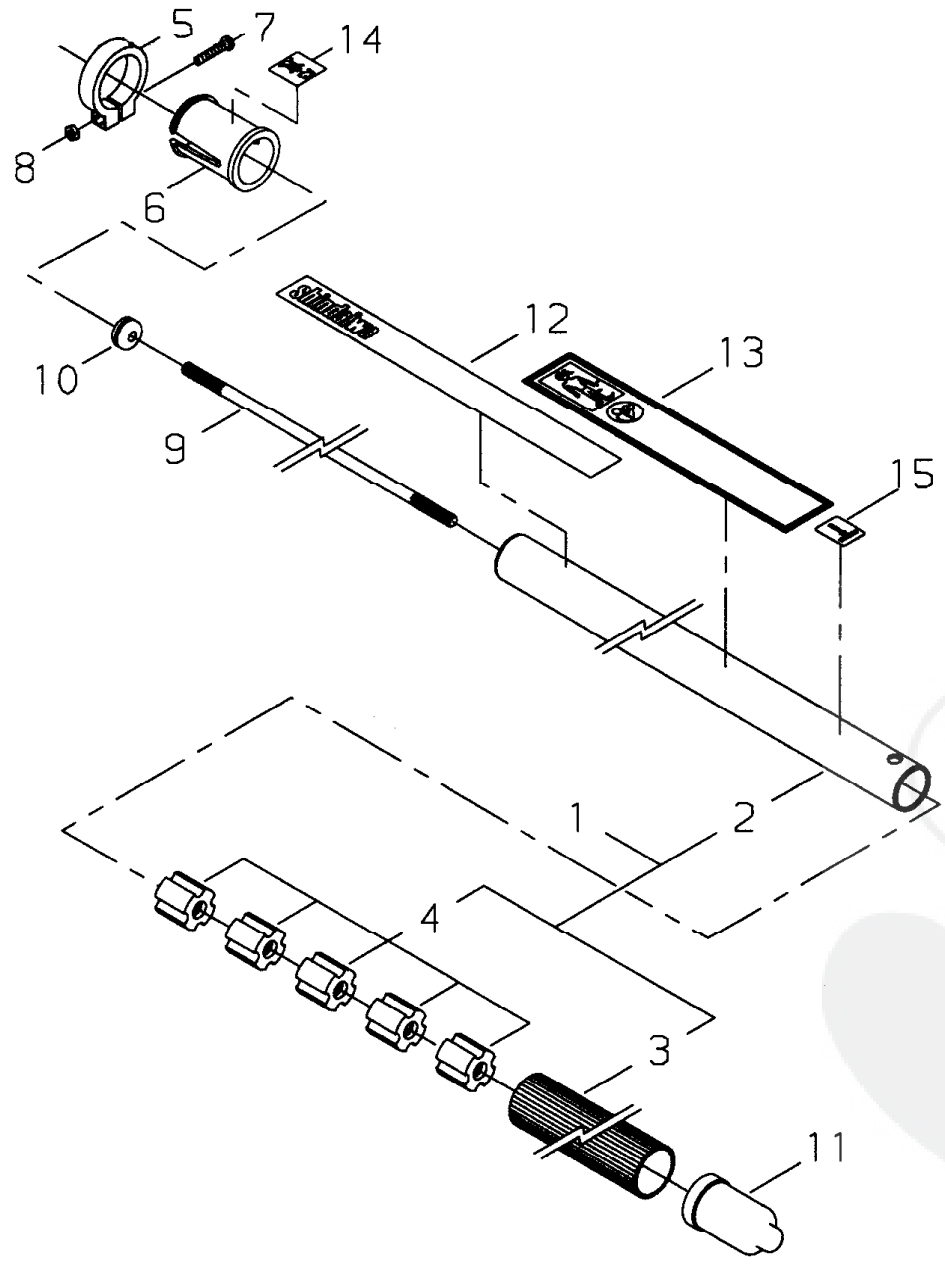
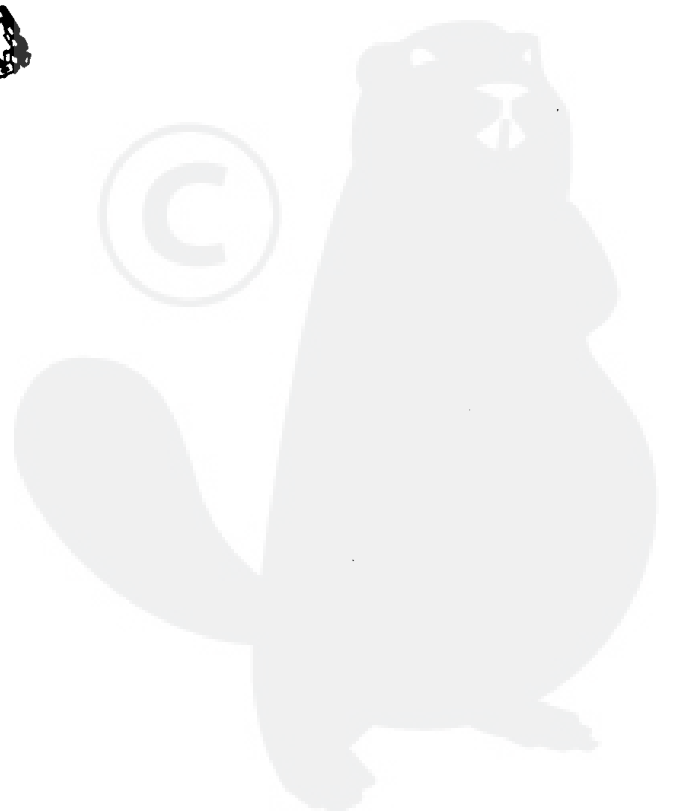
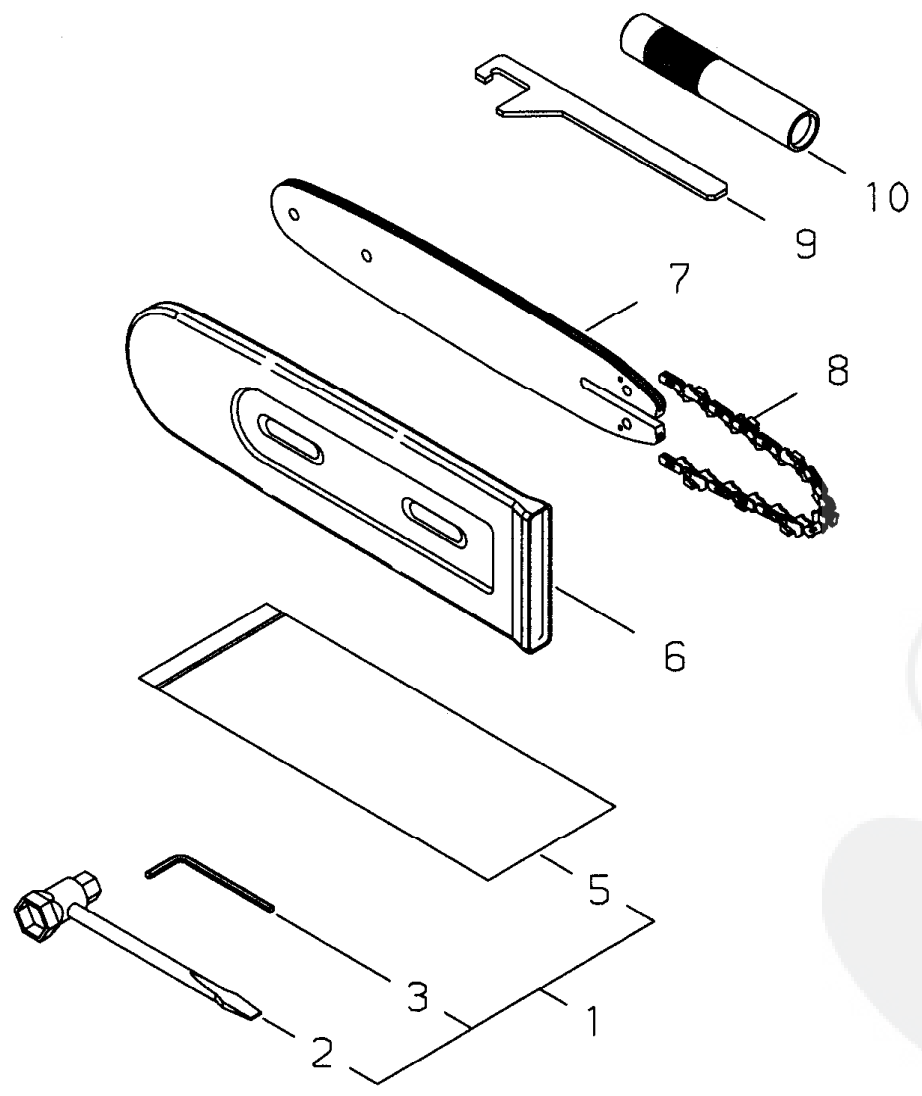


Ref. No	Part No.	Part Name	Q`ty	Remarks,Serial No.
1- 1	63880-61312	GEARCASELEFTCOMP	1	
2	63880-61322	*GEARCASELEFT	1	
3	02006-06001	*BEARING	1	
4	63880-61332	GEARCASERIGHTCOMP	1	
5	63880-61342	*GEARCASERIGHT	1	
6	02002-00627	*BEARING	1	
7	01020-05120	BOLT	5	
8	20870-61640	GREASENIPPLE	1	
9	11260-04351	SCREWADHESIVE	1	
10	17110-04000	SLIDEPIECE	1	
11	01020-06300	BOLT	1	
12	22000-13420	SHIM	1	
13	11023-05250	BOLTSW	1	
14	63880-61350	BARHOLDER	1	
15	11526-06100	NUTFLANGE	1	
16	63880-62310	WORMGEAR	1	
17	22156-55200	OILPUMPASSY	1	
18	11205-04100	SCREWMPW	2	
19	63880-62320	GASKETPUMP	1	
20	63880-62330	OILPIPEASSY	1	
21	63880-62340	*OILPIPE	1	
22	63880-62350	*FILTER	1	
23	63880-62361	OILTANKASSY	1	
24	63880-62381	*OILTANK	1	
25	17901-06030	*COLLAR	2	
26	22115-57120	*VALVEOILTANK	1	
27	11207-05120	SCREWPMPLPW	2	
28	63880-62391	OILCAPASSY	1	
29	70030-85221	*GASKETCAP	1	
30	63880-63011	GEARSHAFT	1	
31	63880-63020	BEVELPINION	1	
32	02000-00609	BEARING	1	
33	02002-00609	BEARING	1	
34	22420-13350	SNAPRING	1	
35	02432-24120	SNAPRING	1	
36	15401-21020	COLLAR	1	
37	12032-07102	SPROCKET	1	
38	19402-00180	LABELCAUTION	1	
39	20870-62131	WASHER	1	
40	11210-06140	SCREWBUTTON	1	



2- 1	63880-64431	OUTERPIPECOMP	1	
2	63880-64441	*OUTERPIPE	1	
3	63880-64450	*GRIP	1	
4	22035-12120	*BUSH	5	
5	33008-62311	CLAMP	1	
6	33008-62321	COLLAR	1	
7	11203-04160	SCREWPM	1	
8	01500-04031	NUT	1	
9	63880-64470	MAINSHAFT	1	
10	15250-10100	GROMMET	1	
11	20891-98180	LINERCAP	1	
12	19420-00084	LABELTRADE	1	
13	19402-00225	LABELCAUTION	1	
14	19402-00175	LABELCAUTION	1	
15	19401-00169	LABELINST	1	





3- 1	65002-92010	TOOLSET	1	
2	22102-91410	*PLUGWRENCH	1	
3	09026-04001	*HEXAWRENCH5MM	1	
5	19639-01100	*POLYBAG	1	
6	19600-24300	CHAINCOVER	1	
7	18130-00800	GUIDEBAR	1	8"
7	18130-01000	GUIDEBAR	1	10"
7	18130-01200	GUIDEBAR	1	12"
8	18201-00330	SAWCHAIN	1	90SG-33E
8	18201-00390	SAWCHAIN	1	90SG-39E
8	18201-00440	SAWCHAIN	1	90SG-44E
9	60880-98030	HOOKSPANNER	1	
10	22420-96311	ROD	1	

