

shindaiwa[®]

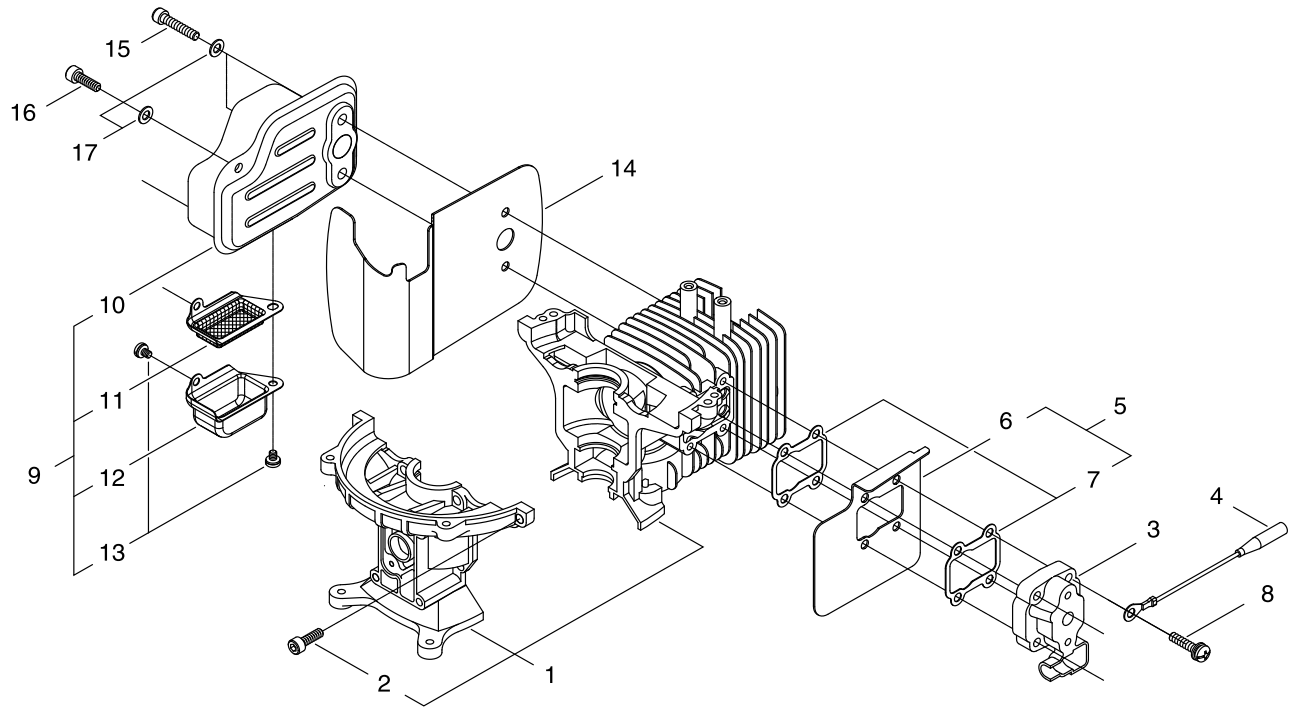
PARTS CATALOG

HEDGE TRIMMER DH2510T-30(37)

37030001 -

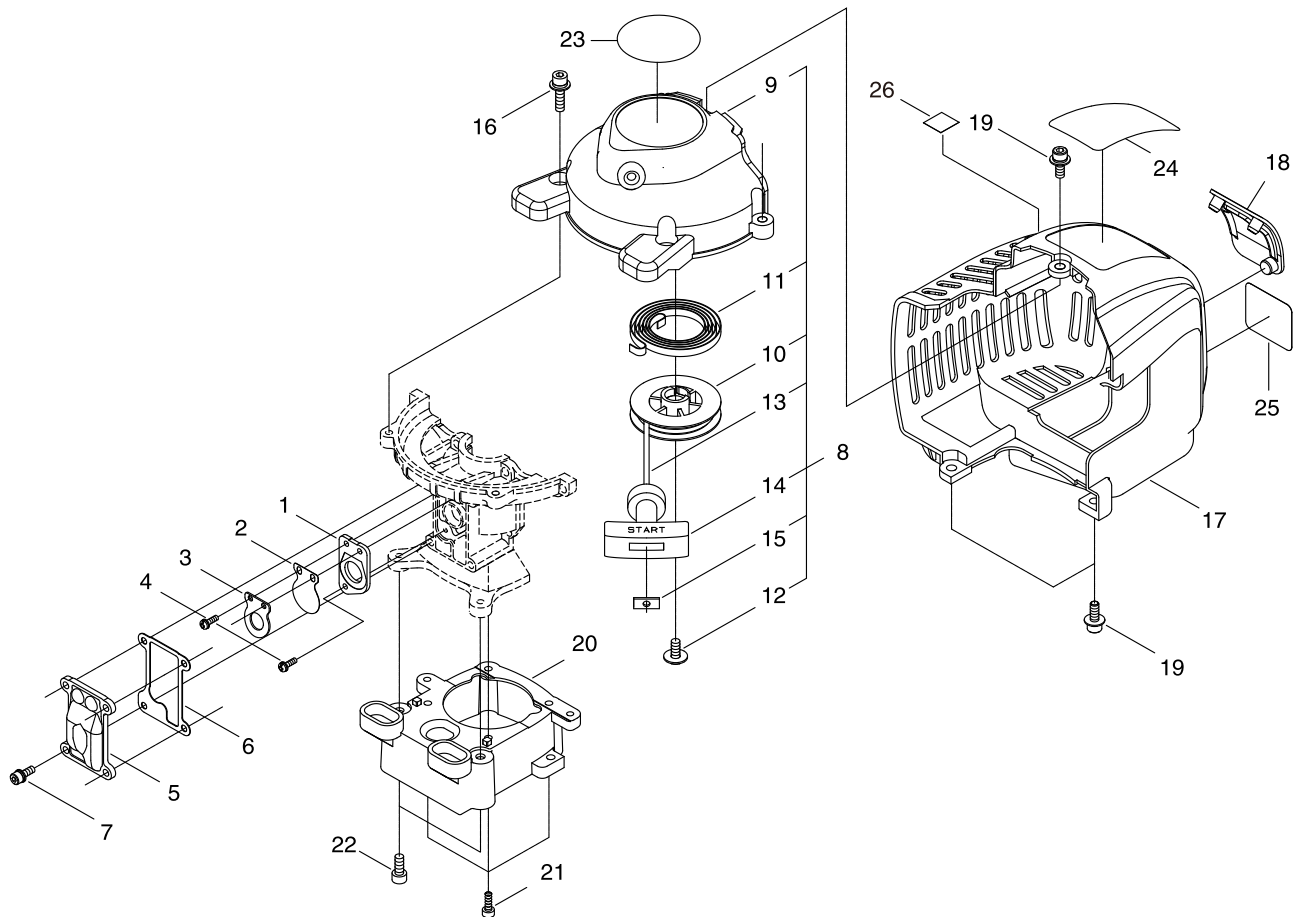
P016-000700-11Kb

1. CYLINDER, MUFFLER



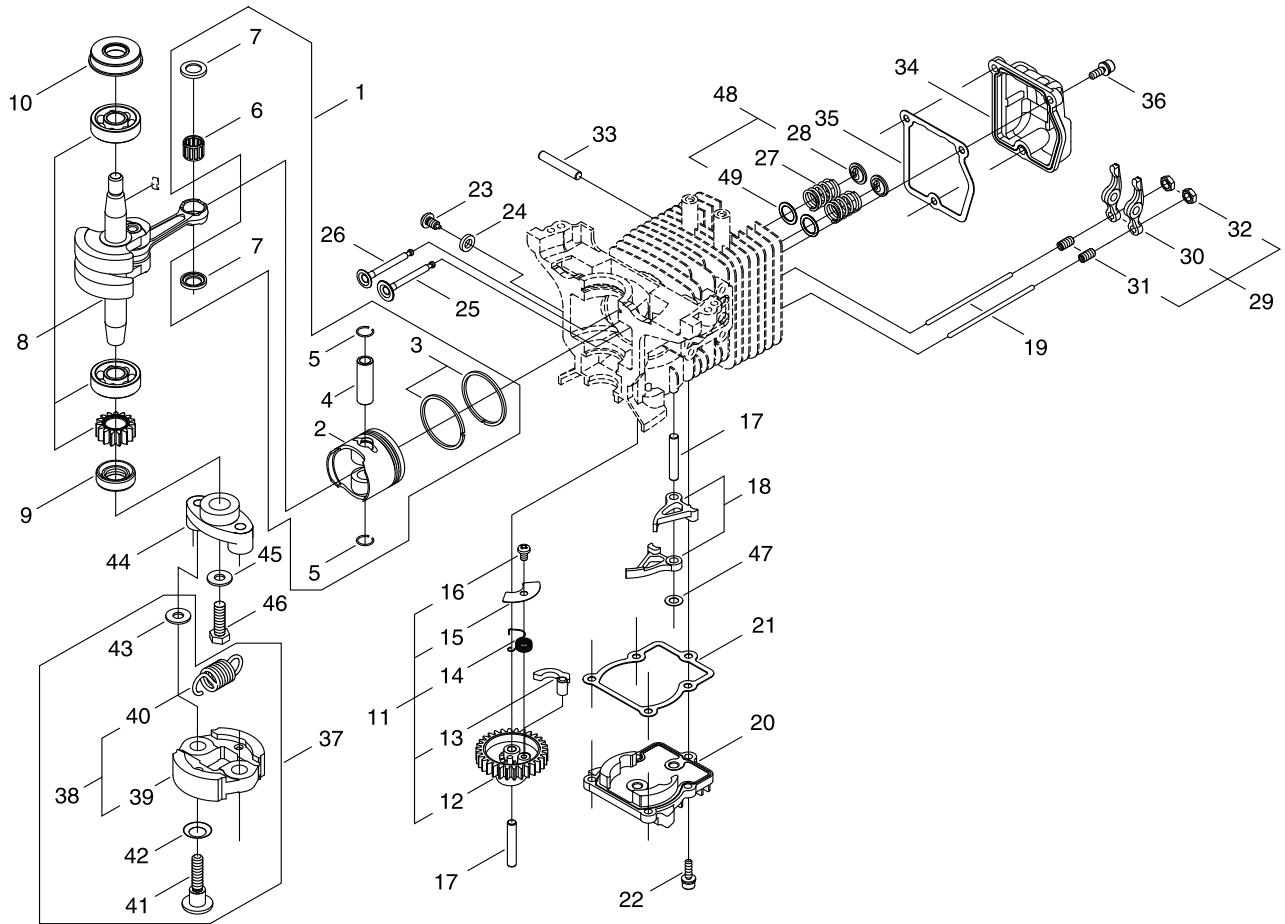
KEY	LV	PART NUMBER	Q'TY	DESCRIPTION	REMARKS	NOTE1	NOTE2
1		P021-027390	1	CYLINDER BLOCK SET			
2	+	900105-05016	6	BOLT, H.S. 5*16	5*16		
3		A024-000050	1	REED VALVE			
4		V485-001260	1	LEAD WIRE	L110		
5		A209-000250	1	BAFFLE PLATE COMP			
6	+	A209-000260	1	BAFFLE PLATE			
7	+	V103-001130	2	GASKET			
8		91582-05022	4	SCREW,PM-SPW	M5*22		
9		A030-000342	1	MUFFLER ASY			
10	+	A300-001251	1	MUFFLER, EXHAUST			
11	+	A310-000390	1	SCREEN, ARRESTOR			
12	+	A313-001391	1	GUIDE, EXHAUST			
13	+	91572-04006	2	SCREW,PM-SW			
14		V104-001431	1	GASKET,EXHAUST			
15		V203-001000	2	BOLT			
16		900105-05016	1	BOLT, H.S. 5*16	5*16		
17		900600-00005	3	WASHER 5	5		

2. RECOIL STARTER



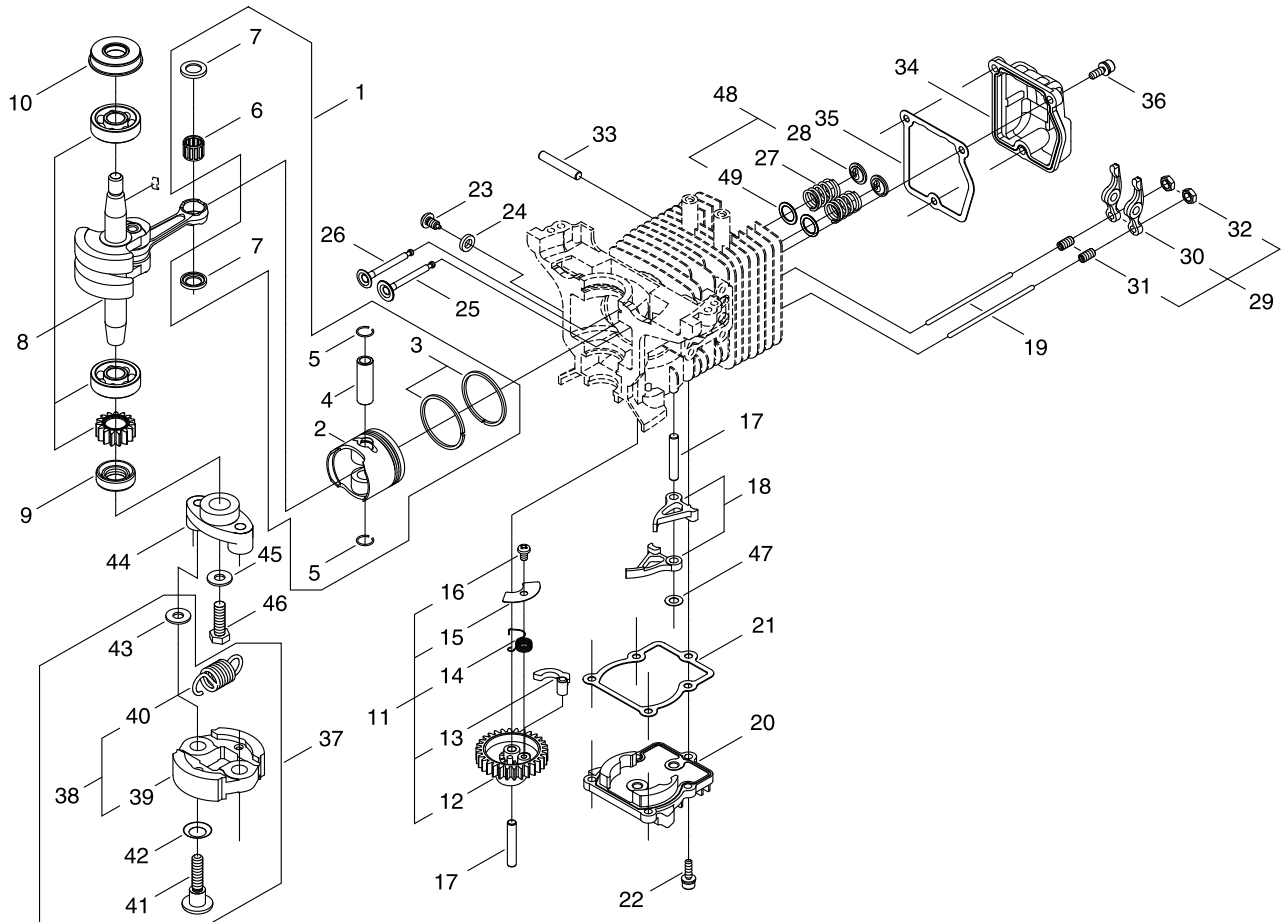
KEY	LV	PART NUMBER	Q'TY	DESCRIPTION	REMARKS	NOTE1	NOTE2
1		A200-000750	1	INSULATOR			
2		A211-000030	1	VALVE, REED			
3		A212-000040	1	STOPPER			
4		91341-03010	3	SCREW-SW	M3*10		
5		A123-000000	1	COVER			
6		V109-000100	1	GASKET			
7		V202-000340	4	BOLT-SPW	M4*12		
8		A051-001810	1	FAN COVER ASSY			
9	+	A500-001030	1	FAN COVER			
10	+	A506-000340	1	REEL			
11	+	A504-000100	1	RECOIL SPRING			
12	+	V253-000570	1	SCREW			
13	+	A509-000310	1	ROPE			
14	+	A511-000160	1	STARTER KNOB			
15	+	A522-000040	1	STOPPER			
16		V203-001010	4	BOLT ADHESIVE			
17		A160-002270	1	COVER, CYLINDER			
18		A429-000130	1	GROMMET			
19		V203-001020	3	BOLT, 5			
20		A570-000250	1	ADAPTER			
21		900105-04012	4	BOLT, H.S. 4*12	4*12		
22		900105-05012	2	BOLT, H.S. 5*12	5*12		
23		X504-006750	1	LABEL, BRAND			
24		X504-006761	1	LABEL, BRAND			
25		X543-003480	1	LABEL, MODEL	DH2510T		
26		X505-002310	1	LABEL, CAUTION	HOT CAUTION		

3. PISTON, CRANKSHAFT



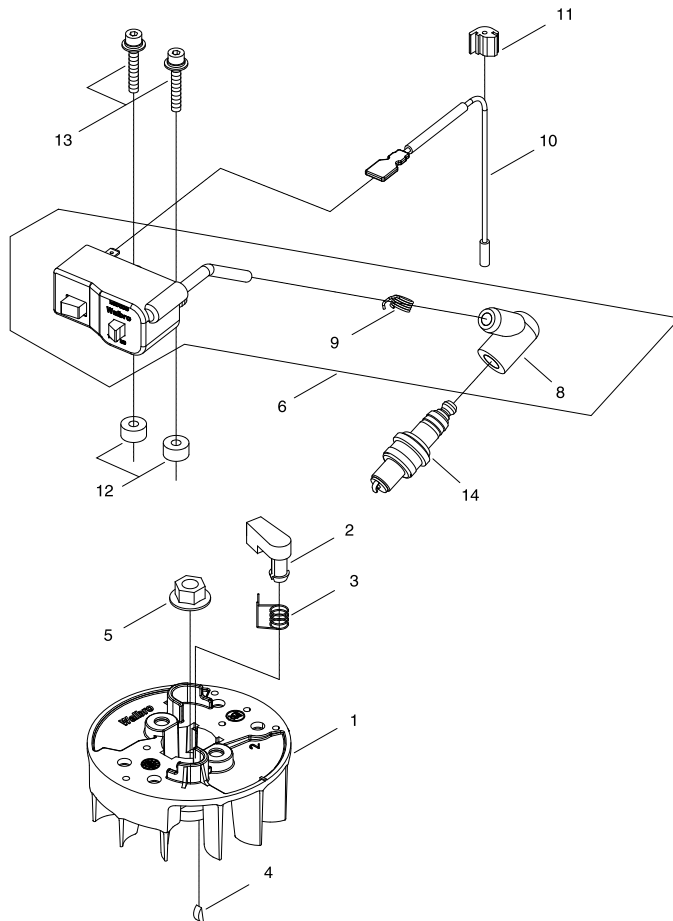
KEY	LV	PART NUMBER	Q'TY	DESCRIPTION	REMARKS	NOTE1	NOTE2
1		P021-033930	1	PISTON KIT			
2	+	A100-000710	1	PISTON			
3	+	A101-000390	2	PISTON RING			
4	+	V607-000040	1	PISTON PIN			
5	+	V580-000090	2	SNAP RING			
6	+	V554-000010	1	NEEDLE BEARING			
7	+	V392-000020	2	THRUST WASHER			
8		A011-000900	1	CRANK SHAFT COMP			
9		V505-000020	1	SEAL,OIL 12	12*22*7		
10		V505-000120	1	OIL SEAL			
11		A063-000000	1	CAM GEAR ASSY			
12	+	A622-000000	1	CAM GEAR			
13	+	A146-000000	1	WEIGHT			
14	+	V452-000610	1	COIL SPRING			
15	+	C603-000240	1	PLATE			
16	+	91449-04006	1	SCREW,TAPPING			
17		V623-000030	2	ROLLER	5*L29.8		
18		A600-000001	2	LIFTER			
19		A607-000010	2	PUSH ROD			
20		A136-000010	1	CAM GEAR COVER			
21		V109-000110	1	GASKET			
22		V202-000350	5	BOLT-SPW	M4-14		
23		V253-000540	1	SCREW			
24		V303-000120	1	COLLAR	5.5,10 T=2		
25		A603-000040	1	INTAKE VALVE			
26		A603-000050	1	EXHAUST VALVE			

3. PISTON, CRANKSHAFT



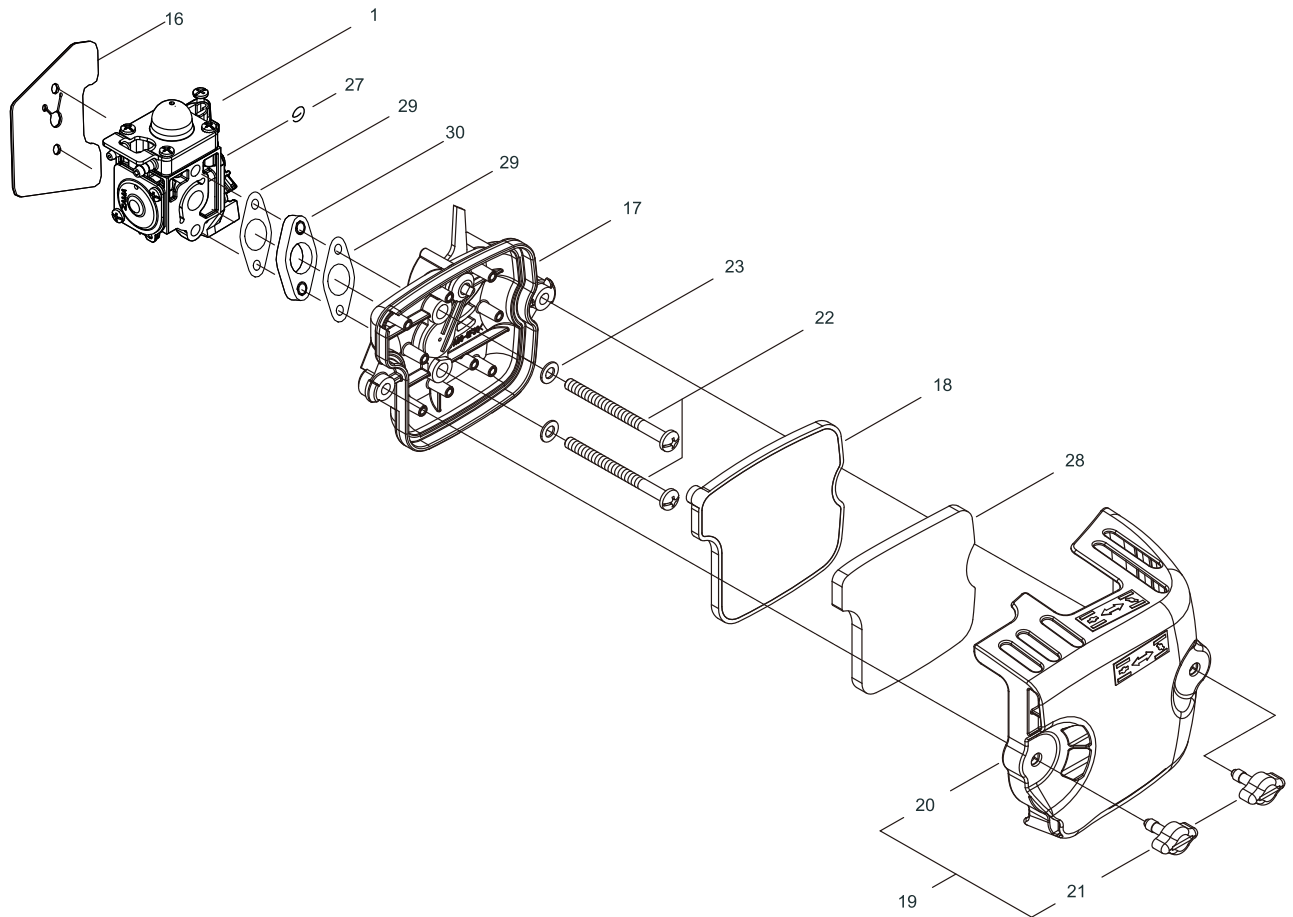
KEY	LV	PART NUMBER	Q'TY	DESCRIPTION	REMARKS	NOTE1	NOTE2
27		A604-000010	2	VALVE SPRING			
29		A610-000050	2	ROCKER ARM ASSY			
30	+	A610-000060	2	ROCKER ARM			
31	+	A613-000010	2	ADJUST SCREW			
32	+	V263-000230	2	NUT			
33		V623-000040	1	ROLLER	NTN F5*31.8		
34		A137-000020	1	ROCKER ARM COVER			
35		V109-000120	1	GASKET			
36		V202-000350	3	BOLT-SPW	M4-14		
37		A056-000470	1	CLUTCH SET			
38	+	A056-000480	1	CLUTCH SHOE ASSY			
39	++	A553-000100	2	CLUTCH SHOE			
40	++	A566-000170	1	SPRING			
41	+	A557-000040	2	BOLT			
42	+	V346-000040	2	SPRING PLATE			
43	+	V304-000150	2	WASHER			
44		A552-000130	1	CLUTCH BOSS			
45		V304-000150	1	WASHER			
46		V204-000480	1	BOLT			
47		V303-000220	1	WASHER	T0.3		
48		P021-027590	1	RETAINER SET			
28	+	A606-000040	2	RETAINER			
49	+	V392-000030	2	PLATE			

4. MAGNETO



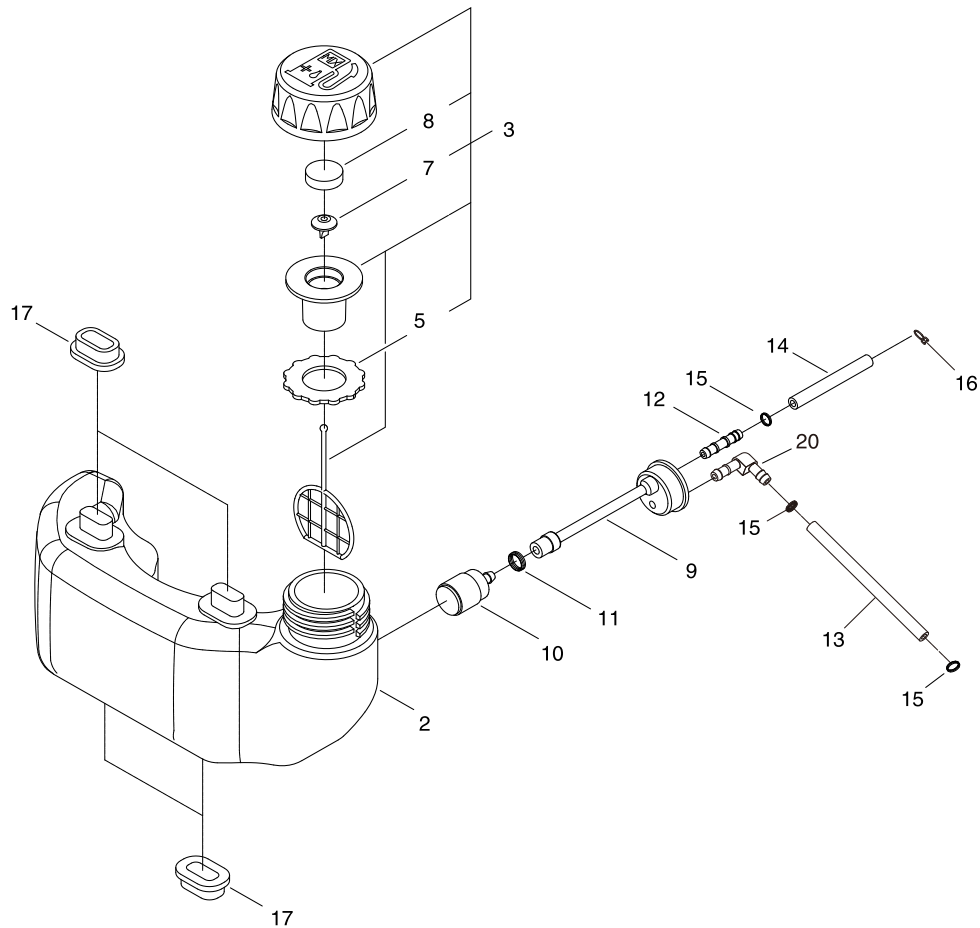
KEY	LV	PART NUMBER	Q'TY	DESCRIPTION	REMARKS	NOTE1	NOTE2
1		A409-000680	1	ROTOR			
2		A514-000190	1	RATCHET			
3		V452-000620	1	COIL SPRING			
4		93115-03010	1	KEY	3*10		
5		V265-000140	1	NUT			
6		A411-001200	1	COIL, IGNITION			
8	+	A427-000110	1	PLUG CAP			
9	+	A426-000070	1	COIL SPRING			
10		V485-001910	1	LEAD WIRE			
11		V136-000100	1	GROMMET			
12		V322-000040	2	INSULATOR			
13		V202-000360	2	BOLT-SLPW	M4*26		
14		A425-000040	1	SPARKPLUG	NGK CMR5H		

5. AIR CLEANER



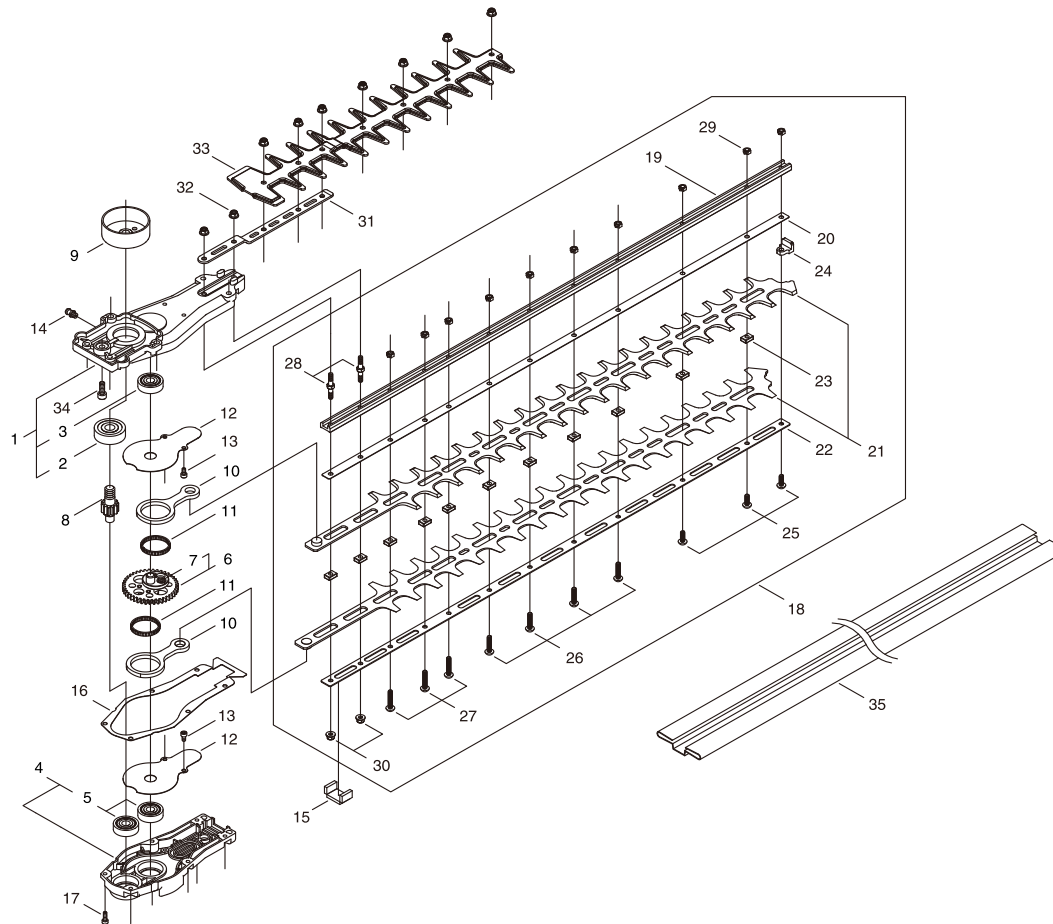
KEY	LV	PART NUMBER	Q'TY	DESCRIPTION	REMARKS	NOTE1	NOTE2
1		A021-003321	1	CARBURETOR,DIAPHRAGM			
16		V103-001310	1	GASKET,INTAKE			
17		A023-000261	1	CASE,CLEANER			
18		A226-000690	1	FILTER			
19		P021-028561	1	CLEANER COVER ASSY			
20	+	A232-000911	1	LID,CLEANER			
21	+	V299-000400	2	KNOB			
22		91581-05070	2	SCREW	ﾌﾞﾗｲﾄﾞ 5*70		
23		900603-00005	2	WASHER 5	5.5*12*0.8		
27		V490-001100	1	CLIP			
28		A226-000700	1	PREFILTER			
29		V103-001291	2	GASKET,INTAKE			
30		V376-001642	1	SPACER			

6. FUEL TANK



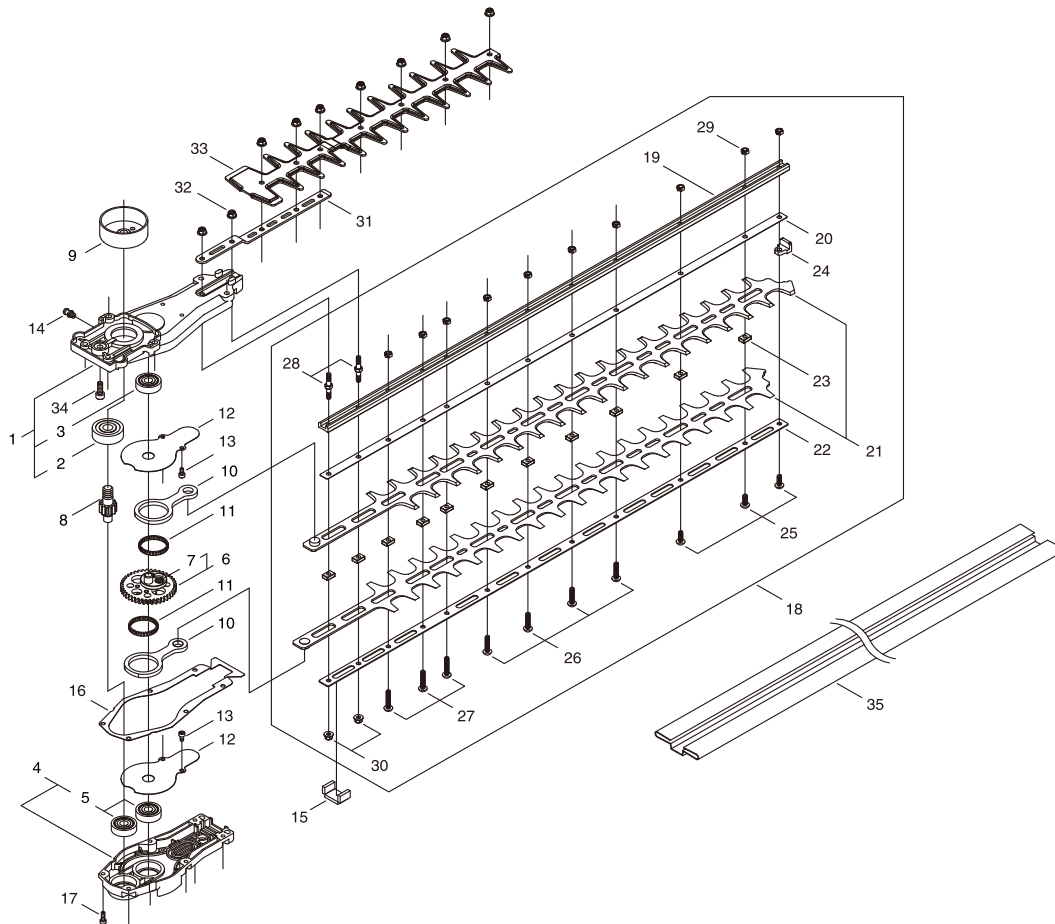
KEY	LV	PART NUMBER	Q'TY	DESCRIPTION	REMARKS	NOTE1	NOTE2
2		A350-001850	1	TANK,FUEL			
3		A033-000130	1	FUEL CAP ASSY			
5	+	V107-000050	1	GASKET			
7	+	E263-000040	1	VALVE,CHECK			
8	+	V540-000280	1	SEAL,CIRCULAR			
9		V470-001200	1	PIPE			
10		A369-000000	1	STRAINER, FUEL	125-528		
11		V490-000610	1	CLIP			
12		V186-000210	1	JOINT			
13		V471-003030	1	PIPE			
14		V471-002580	1	PIPE			
15		V490-000500	3	CLIP			
16		V490-000510	1	CLIP			
17		V420-002220	4	TANK CUSHION			
20		V186-000270	1	JOINT,PIPE			

7. GEAR CASE



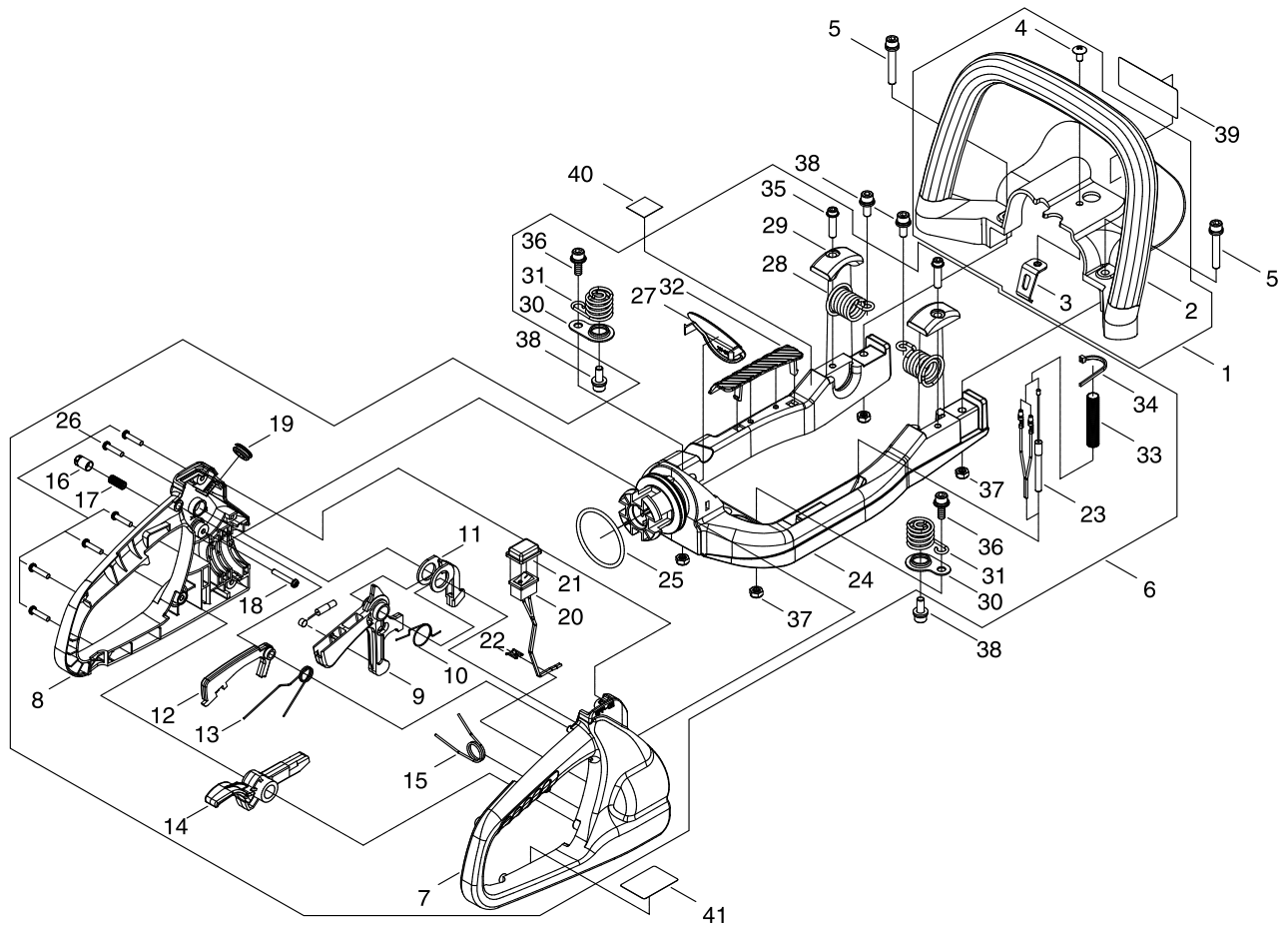
KEY	LV	PART NUMBER	Q'TY	DESCRIPTION	REMARKS	NOTE1	NOTE2
1		P021-028700	1	GEAR CASE COMP			
2	+	94002-06301	1	BEARING			
3	+	900814-06200	1	BEARING, BALL 6200	6200ZZ		
4		P021-028710	1	CASE COVER COMP			
5	+	900814-06200	2	BEARING, BALL 6200	6200ZZ		
6		V060-000060	1	GEAR COMP			
7	+	V203-001030	4	BOLT			
8		V655-000030	1	PINION SHAFT			
9		A556-000930	1	CLUTCH DRUM			
10		C532-000200	2	ROD			
11		V572-000000	2	BEARING, NEEDLE			
12		C603-000250	2	PLATE			
13		900105-04008	4	BOLT, H.S. 4*8	4*8		
14		V187-000080	1	GREASE NIPPLE			
15		V541-000200	1	SEAL			
16		V110-000100	1	GASKET			
17		900105-04014	6	BOLT, H.S. 4*14	4*14		
18		X041-000140	1	CUTTER ASSY			
19	+	X425-000510	1	GUIDE BAR			
20	+	X425-000520	1	UPPER PLATE			
21	+	X411-000980	2	BLADE			
22	+	X425-000530	1	LOWER PLATE			
23	+	V376-001350	11	SPACER			
24	+	V376-001360	1	BLOCK			
25	+	V203-001150	3	SCREW BUTTON			
26	+	V203-001040	4	SCREW BUTTON			

7. GEAR CASE



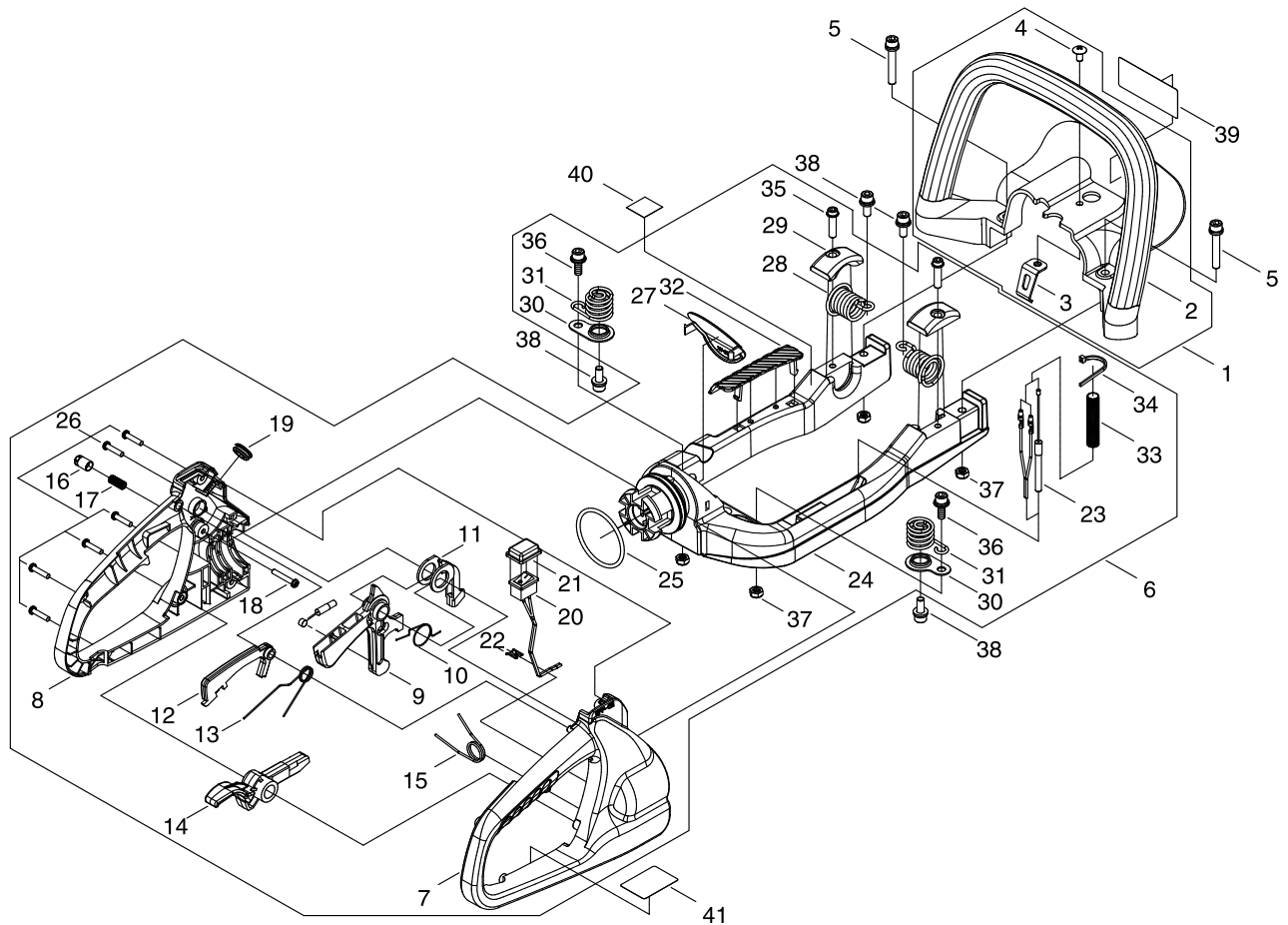
KEY	LV	PART NUMBER	Q'TY	DESCRIPTION	REMARKS	NOTE1	NOTE2
27	+	V203-001050	3	SCREW BUTTON			
28	+	V223-000020	2	BOLT			
29	+	V263-000240	10	LOCK NUT			
30	+	V263-000250	2	NUT	M5		
31		V152-002290	1	HOLDER			
32		V263-000250	9	NUT	M5		
33		X431-000060	1	PROTECTOR			
34		V204-000490	3	BOLT,6			
35		X495-000370	1	BLADE COVER			

8. HANDLE



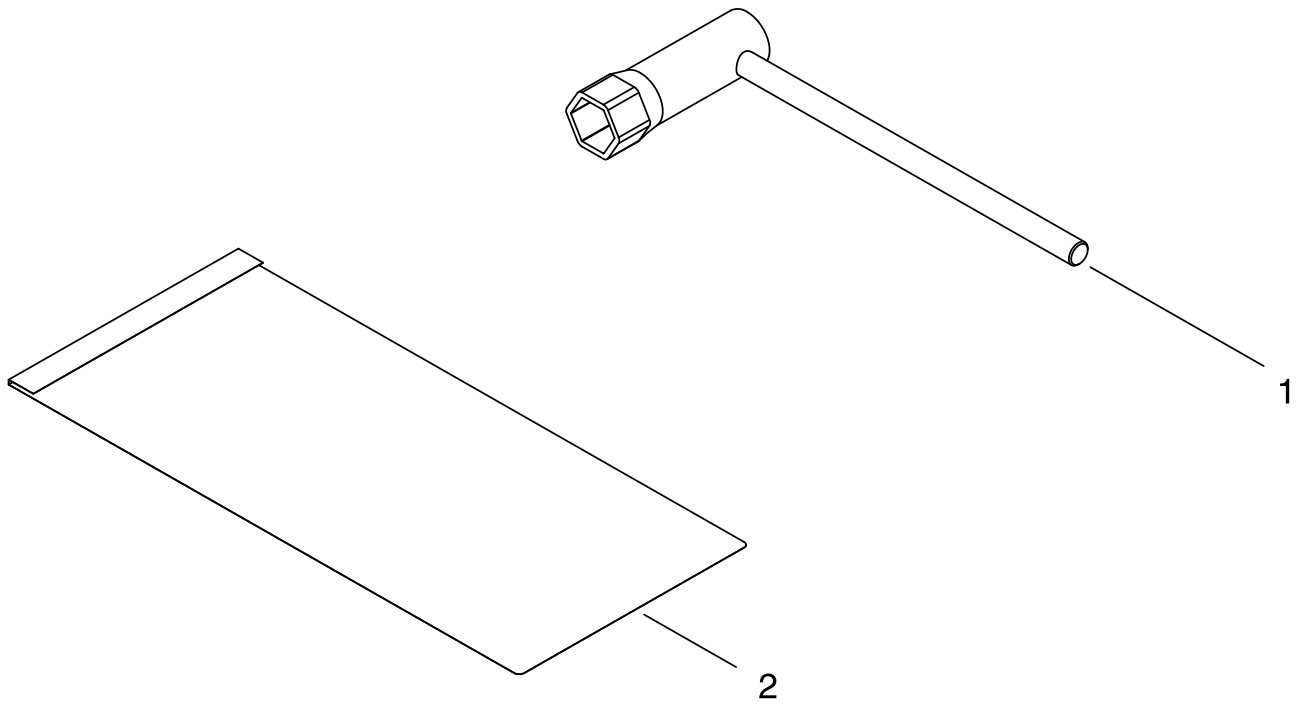
KEY	LV	PART NUMBER	Q'TY	DESCRIPTION	REMARKS	NOTE1	NOTE2
1		P021-039090	1	FRONT HANDLE ASY			
2	+	C400-000870	1	FRONT HANDLE			
3	+	C427-000040	1	STOPPER			
4	+	900209-05010	1	SCREW, 5*10	5*10		
5		V204-000450	2	BOLT SPW			
6		P021-039100	1	REAR HANDLE ASY			
7	+	C410-000660	1	HANDLE RIGHT			
8	+	C410-000670	1	HANDLE LEFT			
9	+	C450-000560	1	THROTTLE LEVER			
10	+	V452-000650	1	COIL SPRING			
11	+	C453-000370	1	SUB LEVER			
12	+	C460-000220	1	LOCK LEVER			
13	+	V452-000660	1	THROTTLE SPRING			
14	+	C661-000060	1	LOCK LEVER			
15	+	V452-000670	1	LOCK SPRING			
16	+	C463-000060	1	KNOB			
17	+	V450-000980	1	COIL SPRING			
18	+	V252-000320	1	SCREW TAPTITE			
19	+	V162-000400	1	GROMMET			
20	+	A440-001510	1	SWITCH			
21	+	A447-000060	1	SWITCH COVER			
22	+	V490-000670	1	CLIP			
23	+	V430-003860	1	CABLE, BOWDEN			
24	+	C600-001210	1	HANDLE STAY			
25	+	92501-05000	1	O-RING	G50		
26	+	V252-000330	6	SCREW TAPPING			

8. HANDLE

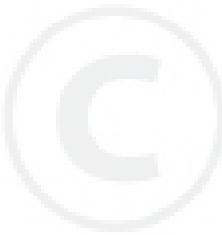


KEY	LV	PART NUMBER	Q'TY	DESCRIPTION	REMARKS	NOTE1	NOTE2
27	+	C411-000111	1	LID,HANDLE			
28	+	V450-001030	2	SPRING			
29	+	V456-000160	2	SPRING HOLDER			
30	+	V456-000150	2	PLATE			
31	+	V450-001000	2	SPRING			
32	+	C604-000490	1	COVER			
33	+	V475-005080	1	TUBE			
34	+	V495-002400	1	BAND			
35	+	V204-000710	2	BOLT PC			
36	+	V204-000550	2	BOLT SLPW			
37	+	V264-000160	4	U NUT			
38		V204-000500	4	BOLT SPW			
39		X505-003350	1	LABEL,CAUTION			
40		X505-002310	1	LABEL,CAUTION	HOT CAUTION		
41		X505-003370	1	LABEL INST			

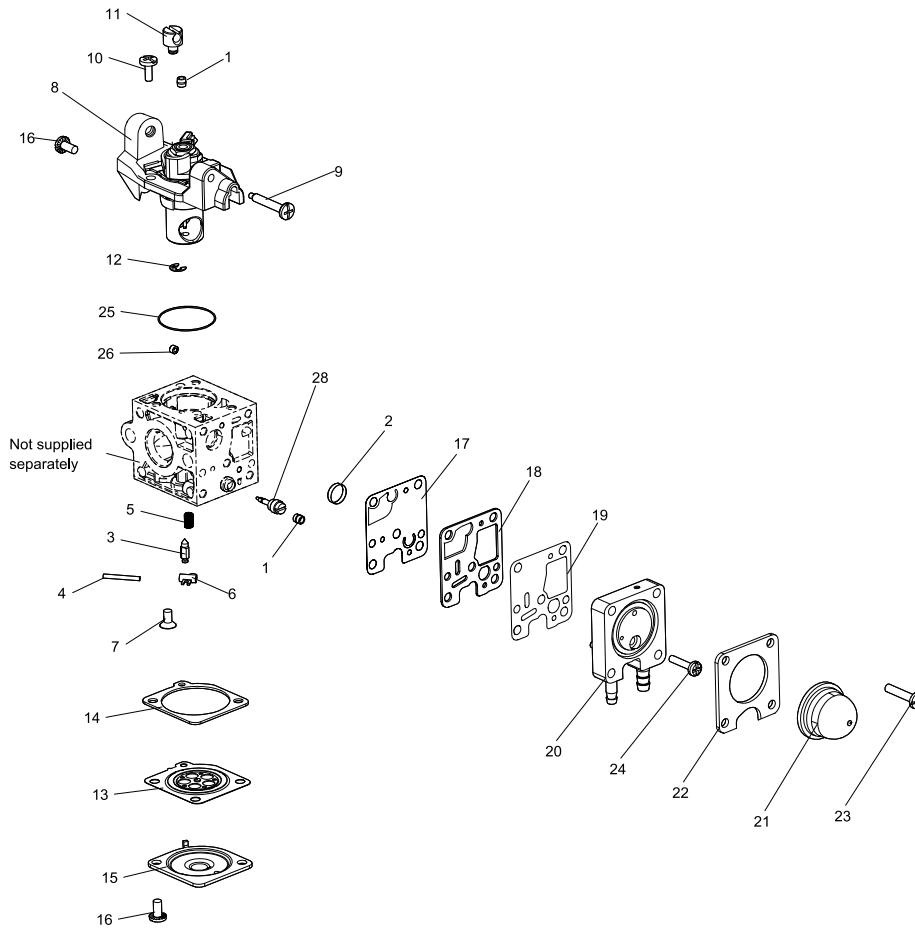
9. TOOLS



KEY	LV	PART NUMBER	Q'TY	DESCRIPTION	REMARKS	NOTE1	NOTE2
1		X602-000100	1	PLUG WRENCH			
2		X705-000130	1	POLY BAG			

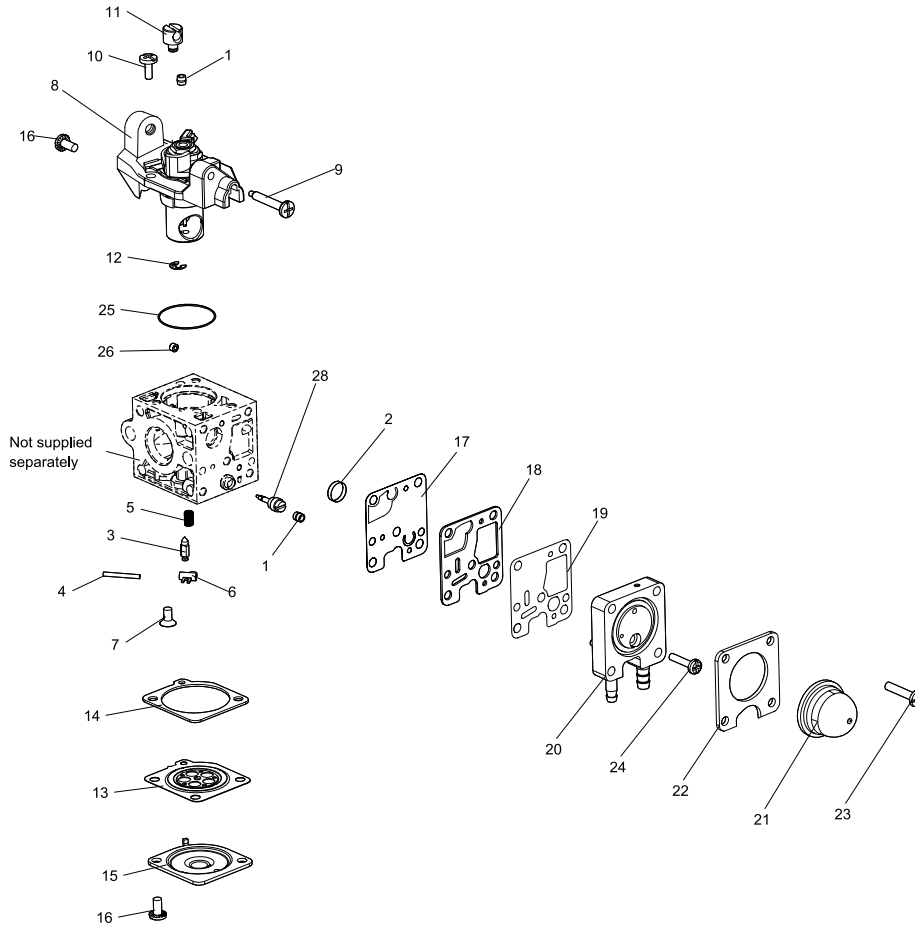


10. CARBURETOR



KEY	LV	PART NUMBER	Q'TY	DESCRIPTION	REMARKS	NOTE1	NOTE2
		A021-003321	1	CARBURETOR,DIAPHRAGM			
1	+	P005-001270	2	PLUG, H AJUST SCREW			
2	+	P005-000010	1	STRAINER			
3	+	125337-08260	1	VALVE, INLET NEEDLE			
4	+	125338-13930	1	PIN, METERING ARM			
5	+	P005-000940	1	SPRING, METER. LEVER			
6	+	125323-08260	1	ARM, VALVE			
7	+	125339-42030	1	SCREW			
8	+	P005-002140	1	COVER ASY, ROTOR			
9	+	P005-002110	1	SCREW,THROTTLEADJUST			
10	+	125344-13931	3	SCREW			
11	+	P005-002200	1	POST			
12	+	P005-000190	1	E-RING			
13	+	P005-001780	1	DIAPHRAGM			
14	+	P005-000200	1	GASKET, METERING			
15	+	125342-52130	1	COVER, DIAPHRAGM			
16	+	125344-52130	3	SCREW			
17	+	P005-000210	1	DIAPHRAGM, PUMP			
18	+	P005-000220	1	GASKET, PUMP			
19	+	P005-000230	1	SURGE, DIAPHRAGM			
20	+	P005-002130	1	BASE ASY,PRIMER			
21	+	125381-46730	1	PUMP, PRIMING			
22	+	P005-002150	1	RETAINER, PRIM. PUMP			
23	+	P005-001900	4	SCREW			
24	+	P005-000270	1	SCREW			
25	+	P005-000280	1	O-RING			

10. CARBURETOR



KEY	LV	PART NUMBER	Q'TY	DESCRIPTION	REMARKS	NOTE1	NOTE2
26	+	P005-001000	1	ROLLER, GUIDE			
28	+	P005-001260	1	SCREW,MAINN MIXTURE			



Index

Patrs Number	Key No.	Patrs Number	Key No.	Patrs Number	Key No.
125323-08260	10 - 6	A212-000040	2 - 3	C532-000200	7 - 10
125337-08260	10 - 3	A226-000690	5 - 18	C600-001210	8 - 24
125338-13930	10 - 4	A226-000700	5 - 28	C603-000240	3 - 15
125339-42030	10 - 7	A232-000911	5 - 20	C603-000250	7 - 12
125342-52130	10 - 15	A300-001251	1 - 10	C604-000490	8 - 32
125344-13931	10 - 10	A310-000390	1 - 11	C661-000060	8 - 14
125344-52130	10 - 16	A313-001391	1 - 12	E263-000040	6 - 7
125381-46730	10 - 21	A350-001850	6 - 2	P005-000010	10 - 2
900105-04008	7 - 13	A369-000000	6 - 10	P005-000190	10 - 12
900105-04012	2 - 21	A409-000680	4 - 1	P005-000200	10 - 14
900105-04014	7 - 17	A411-001200	4 - 6	P005-000210	10 - 17
900105-05012	2 - 22	A425-000040	4 - 14	P005-000220	10 - 18
900105-05016	1 - 2	A426-000070	4 - 9	P005-000230	10 - 19
900105-05016	1 - 16	A427-000110	4 - 8	P005-000270	10 - 24
900209-05010	8 - 4	A429-000130	2 - 18	P005-000280	10 - 25
900600-00005	1 - 17	A440-001510	8 - 20	P005-000940	10 - 5
900603-00005	5 - 23	A447-000060	8 - 21	P005-001000	10 - 26
900814-06200	7 - 3	A500-001030	2 - 9	P005-001260	10 - 28
900814-06200	7 - 5	A504-000100	2 - 11	P005-001270	10 - 1
91341-03010	2 - 4	A506-000340	2 - 10	P005-001780	10 - 13
91449-04006	3 - 16	A509-000310	2 - 13	P005-001900	10 - 23
91572-04006	1 - 13	A511-000160	2 - 14	P005-002110	10 - 9
91581-05070	5 - 22	A514-000190	4 - 2	P005-002130	10 - 20
91582-05022	1 - 8	A522-000040	2 - 15	P005-002140	10 - 8
92501-05000	8 - 25	A552-000130	3 - 44	P005-002150	10 - 22
93115-03010	4 - 4	A553-000100	3 - 39	P005-002200	10 - 11
94002-06301	7 - 2	A556-000930	7 - 9	P021-027390	1 - 1
A011-000900	3 - 8	A557-000040	3 - 41	P021-027590	3 - 48
A021-003321	5 - 1	A566-000170	3 - 40	P021-028561	5 - 19
A021-003321	10 -	A570-000250	2 - 20	P021-028700	7 - 1
A023-000261	5 - 17	A600-000001	3 - 18	P021-028710	7 - 4
A024-000050	1 - 3	A603-000040	3 - 25	P021-033930	3 - 1
A030-000342	1 - 9	A603-000050	3 - 26	P021-039090	8 - 1
A033-000130	6 - 3	A604-000010	3 - 27	P021-039100	8 - 6
A051-001810	2 - 8	A606-000040	3 - 28	V060-000060	7 - 6
A056-000470	3 - 37	A607-000010	3 - 19	V103-001130	1 - 7
A056-000480	3 - 38	A610-000050	3 - 29	V103-001291	5 - 29
A063-000000	3 - 11	A610-000060	3 - 30	V103-001310	5 - 16
A100-000710	3 - 2	A613-000010	3 - 31	V104-001431	1 - 14
A101-000390	3 - 3	A622-000000	3 - 12	V107-000050	6 - 5
A123-000000	2 - 5	C400-000870	8 - 2	V109-000100	2 - 6
A136-000010	3 - 20	C410-000660	8 - 7	V109-000110	3 - 21
A137-000020	3 - 34	C410-000670	8 - 8	V109-000120	3 - 35
A146-000000	3 - 13	C411-000111	8 - 27	V110-000100	7 - 16
A160-002270	2 - 17	C427-000040	8 - 3	V136-000100	4 - 11
A200-000750	2 - 1	C450-000560	8 - 9	V152-002290	7 - 31
A209-000250	1 - 5	C453-000370	8 - 11	V162-000400	8 - 19
A209-000260	1 - 6	C460-000220	8 - 12	V186-000210	6 - 12
A211-000030	2 - 2	C463-000060	8 - 16	V186-000270	6 - 20

Index

Patrs Number	Key No.	Patrs Number	Key No.	Patrs Number	Key No.
V187-000080	7 - 14	V452-000660	8 - 13		
V202-000340	2 - 7	V452-000670	8 - 15		
V202-000350	3 - 22	V456-000150	8 - 30		
V202-000350	3 - 36	V456-000160	8 - 29		
V202-000360	4 - 13	V470-001200	6 - 9		
V203-001000	1 - 15	V471-002580	6 - 14		
V203-001010	2 - 16	V471-003030	6 - 13		
V203-001020	2 - 19	V475-005080	8 - 33		
V203-001030	7 - 7	V485-001260	1 - 4		
V203-001040	7 - 26	V485-001910	4 - 10		
V203-001050	7 - 27	V490-000500	6 - 15		
V203-001150	7 - 25	V490-000510	6 - 16		
V204-000450	8 - 5	V490-000610	6 - 11		
V204-000480	3 - 46	V490-000670	8 - 22		
V204-000490	7 - 34	V490-001100	5 - 27		
V204-000500	8 - 38	V495-002400	8 - 34		
V204-000550	8 - 36	V505-000020	3 - 9		
V204-000710	8 - 35	V505-000120	3 - 10		
V223-000020	7 - 28	V540-000280	6 - 8		
V252-000320	8 - 18	V541-000200	7 - 15		
V252-000330	8 - 26	V554-000010	3 - 6		
V253-000540	3 - 23	V572-000000	7 - 11		
V253-000570	2 - 12	V580-000090	3 - 5		
V263-000230	3 - 32	V607-000040	3 - 4		
V263-000240	7 - 29	V623-000030	3 - 17		
V263-000250	7 - 30	V623-000040	3 - 33		
V263-000250	7 - 32	V655-000030	7 - 8		
V264-000160	8 - 37	X041-000140	7 - 18		
V265-000140	4 - 5	X411-000980	7 - 21		
V299-000400	5 - 21	X425-000510	7 - 19		
V303-000120	3 - 24	X425-000520	7 - 20		
V303-000220	3 - 47	X425-000530	7 - 22		
V304-000150	3 - 43	X431-000060	7 - 33		
V304-000150	3 - 45	X495-000370	7 - 35		
V322-000040	4 - 12	X504-006750	2 - 23		
V346-000040	3 - 42	X504-006761	2 - 24		
V376-001350	7 - 23	X505-002310	2 - 26		
V376-001360	7 - 24	X505-002310	8 - 40		
V376-001642	5 - 30	X505-003350	8 - 39		
V392-000020	3 - 7	X505-003370	8 - 41		
V392-000030	3 - 49	X543-003480	2 - 25		
V420-002220	6 - 17	X602-000100	9 - 1		
V430-003860	8 - 23	X705-000130	9 - 2		
V450-000980	8 - 17				
V450-001000	8 - 31				
V450-001030	8 - 28				
V452-000610	3 - 14				
V452-000620	4 - 3				
V452-000650	8 - 10				

YAMABIKO CORPORATION

7-2 SUEHIROCHO 1-CHOME, OHME, TOKYO 198-8760, JAPAN
PHONE: 81-428-32-6118. FAX: 81-428-32-6145.

shindaiwa[®]



11Kb
No. 03-380