

**shindaiwa<sup>®</sup>**

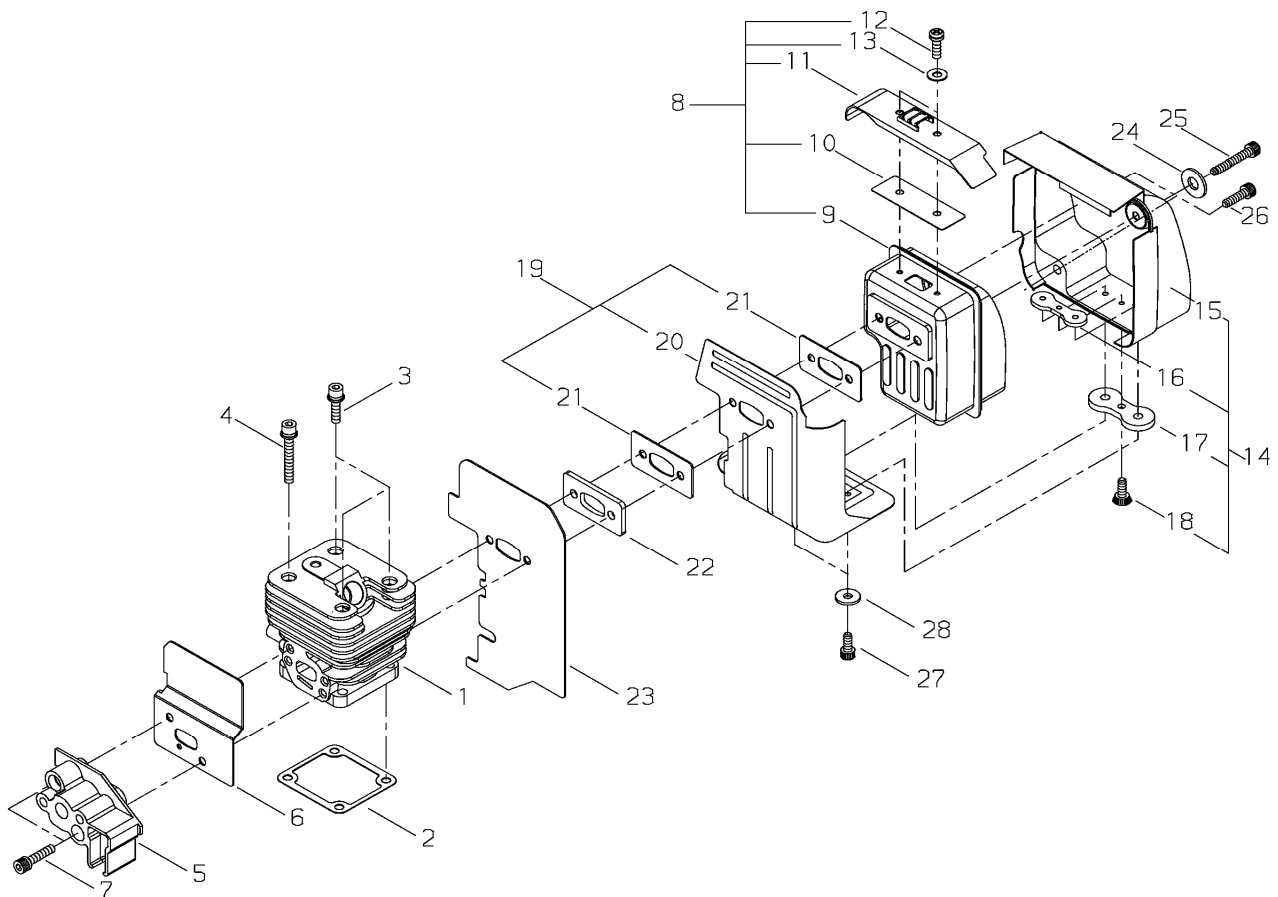
# **PARTS CATALOG**

**POWER EDGER  
LE261 EVC**



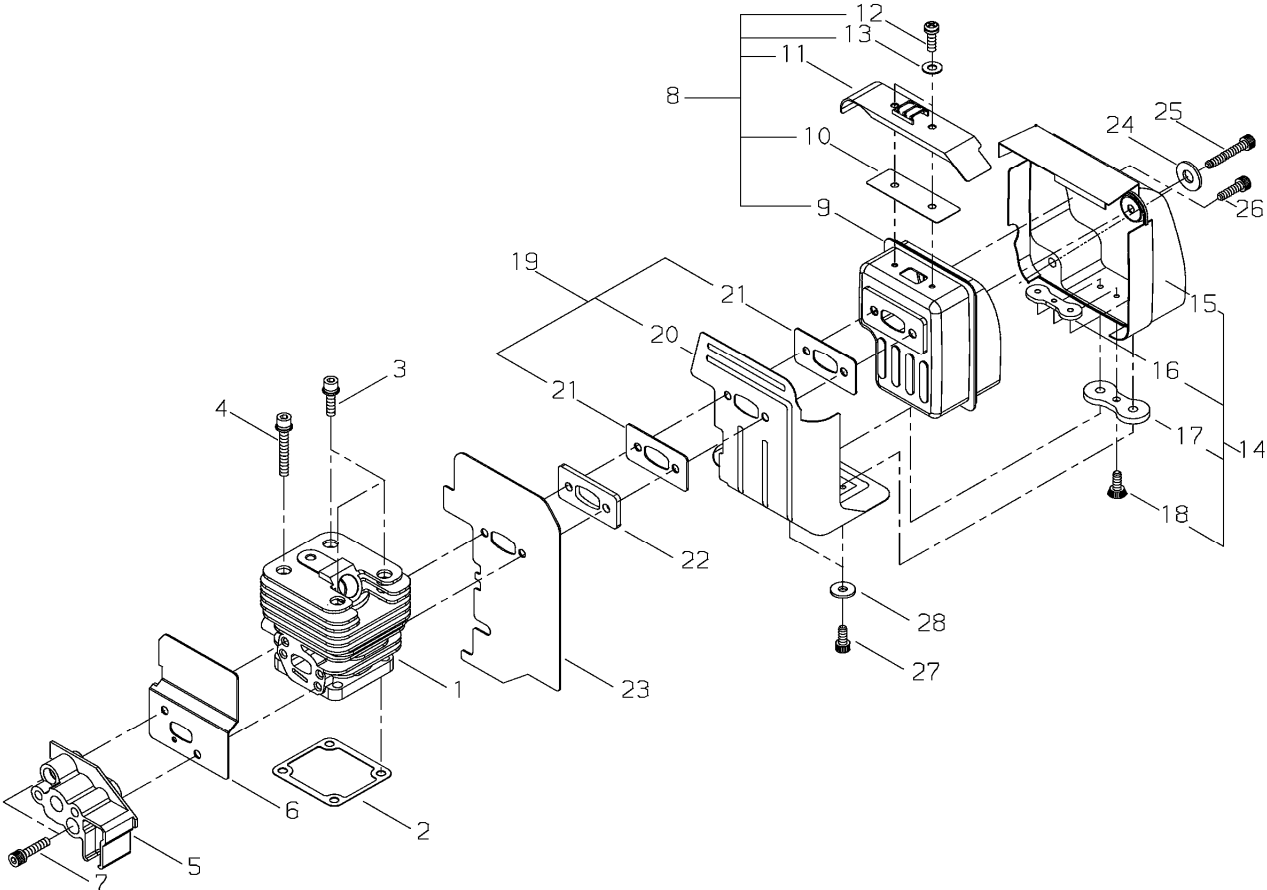
LE261 EVC

## 1. CYLINDER, MUFFLER



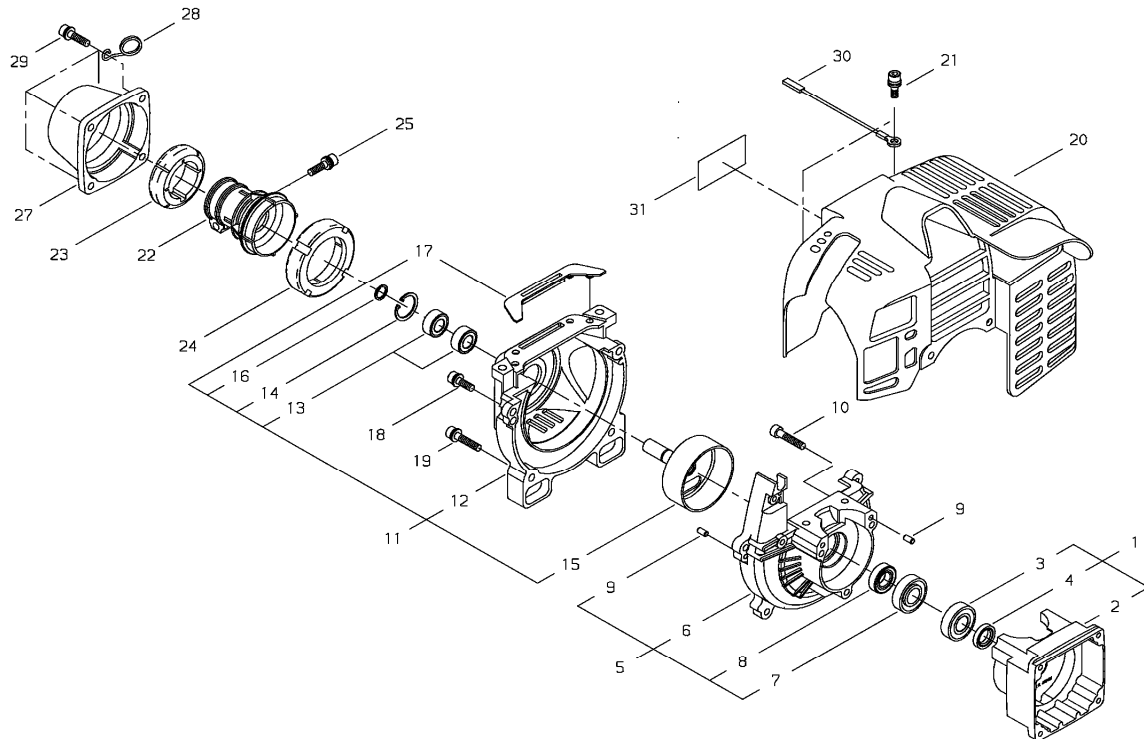
KEY	LV	PART NUMBER	Q'TY	DESCRIPTION	REMARKS	NOTE1	NOTE2
1		62028-12110	1	CYLINDER			
2		20018-12120	1	GASKET			
3		11020-05160	3	BOLT SW		M5x16	
4		11020-05350	1	BOLT SW		M5x35	
5		62028-12211	1	INSULATOR			
6		62028-12220	1	GASKET			
7		11022-05300	2	BOLT SW		M5x30	
8		62028-15010	1	MUFFLER ASSY			
9		62028-15110	1	MUFFLER			
10		62028-15360	1	SCREEN			
11		62028-15160	1	TAIL PLATE			
12		11203-04060	2	SCREW PM		M4x6	
13		01613-04080	2	WASHER			
14		62028-15410	1	MUFFLER COVER			
15		62028-15310	1	MUFFLER COVER			
16		62028-15380	1	PLATE			
17		62028-15390	1	SPACER			
18		01201-04080	1	SCREW		M4x8	
19		62028-15210	1	GASKET MUFFLER			
20		62028-15320	1	PLATE			
21		62028-15340	2	GASKET			
22		62028-15330	1	SPACER			
23		62028-15350	1	GASKET			
24		01610-05085	2	WASHER			
25		01020-05655	2	BOLT		M5x65	
26		01020-05250	1	BOLT		M5x25	

1. CYLINDER, MUFFLER



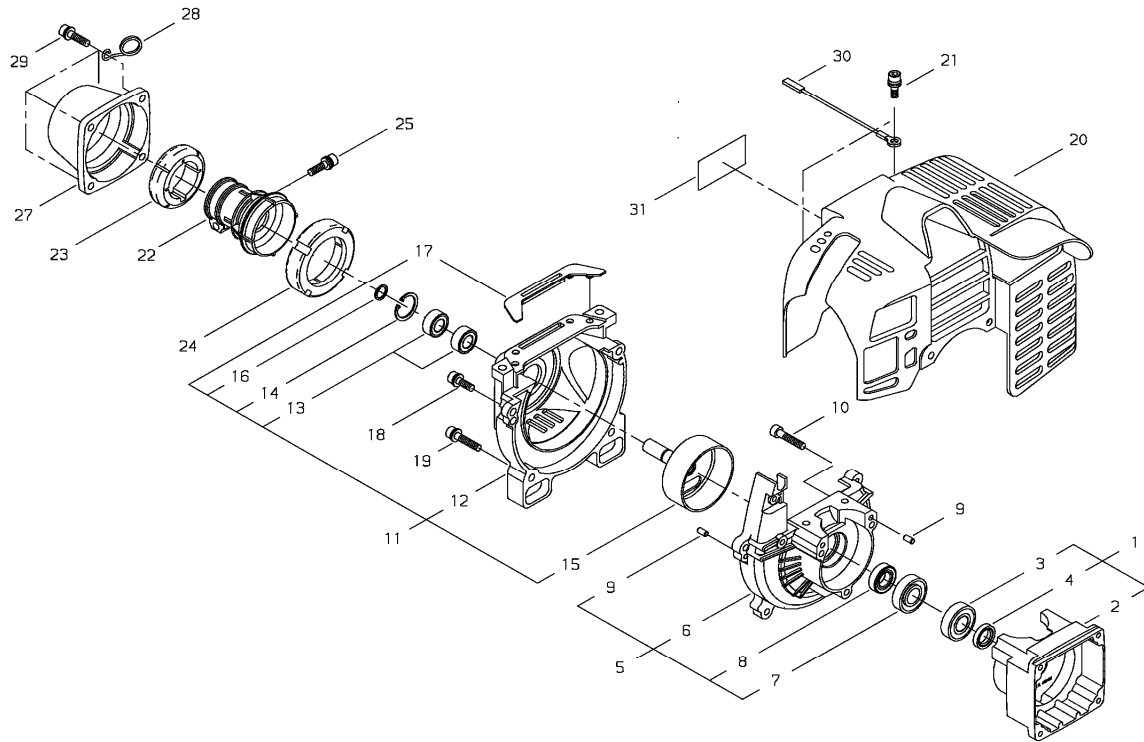
KEY	LV	PART NUMBER	Q'TY	DESCRIPTION	REMARKS	NOTE1	NOTE2
27		01020-05100	2	BOLT		M5x10	
28		15401-10010	2	COLLAR			

## 2. FANCOVER, CYLINDER COVER



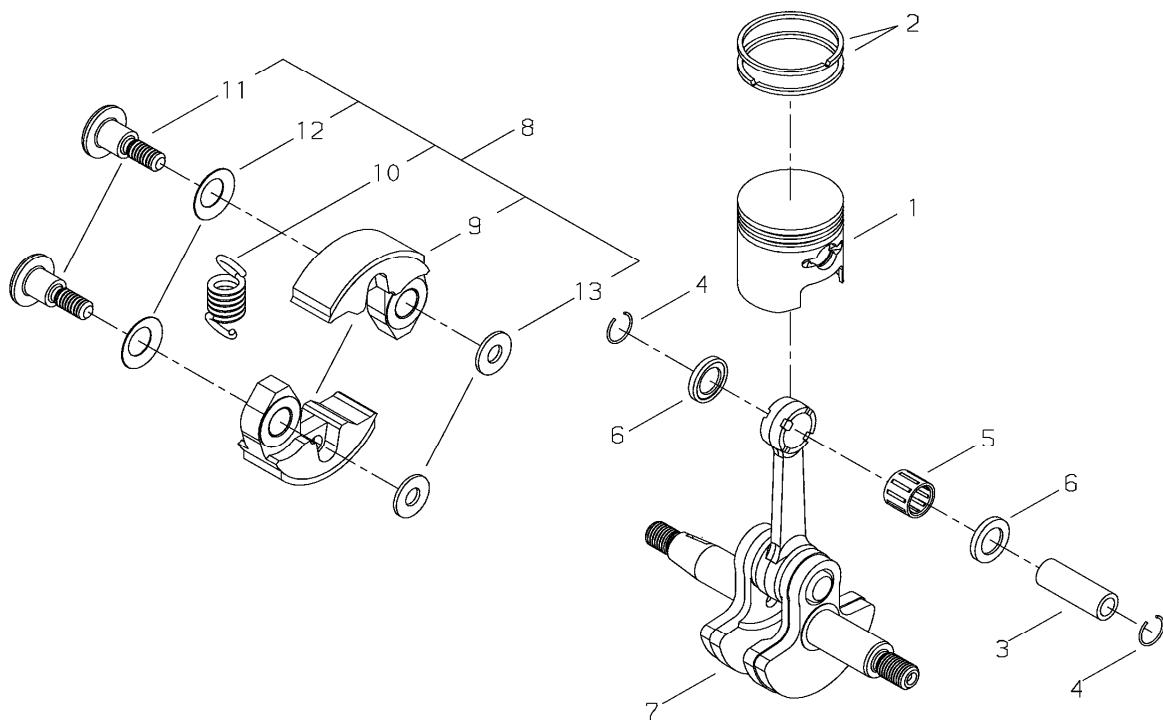
KEY	LV	PART NUMBER	Q'TY	DESCRIPTION	REMARKS	NOTE1	NOTE2
1		62071-21010	1	CRANK CASE S COMP			
2	▪	20018-21111	1	CRANK CASE S			
3	▪	12900-60010	1	BALL BEARING		6001	
4	▪	22150-21250	1	SEAL,OIL			
5		62071-21020	1	CRANK CASE M COMP			
6	▪	20018-21122	1	CRANK CASE M			
7	▪	12900-60010	1	BALL BEARING		6001	
8	▪	20000-21211	1	OIL SEAL			
9	▪	12492-40080	4	ROLLER			
10		01020-05250	3	BOLT		M5x25	
11		62706-31010	1	FAN COVER COMP			
12	▪	20134-31111	1	FAN COVER			
13	▪	02006-06000	2	BEARING		6000DDU	
14	▪	02432-26120	1	SNAP RING		φ26	
15	▪	70137-31210	1	CLUTCH DRUM			
16	▪	22000-13320	1	SNAP RING			
17	▪	20110-31130	1	CUSHION			
18		11022-05160	2	BOLT SPW		M5x16	
19		11022-05300	2	BOLT SW		M5x30	
20		62028-32110	1	CYLINDER COVER			
21		11022-05160	2	BOLT SPW		M5x16	
22		20018-31411	1	JOINT			
23		20018-31420	1	FRONT CUSHION			
24		20018-31430	1	REAR CUSHION			
25		11023-05250	1	BOLT SW		M5x25	
27		70135-31470	1	CAP			

## 2. FANCOVER, CYLINDER COVER



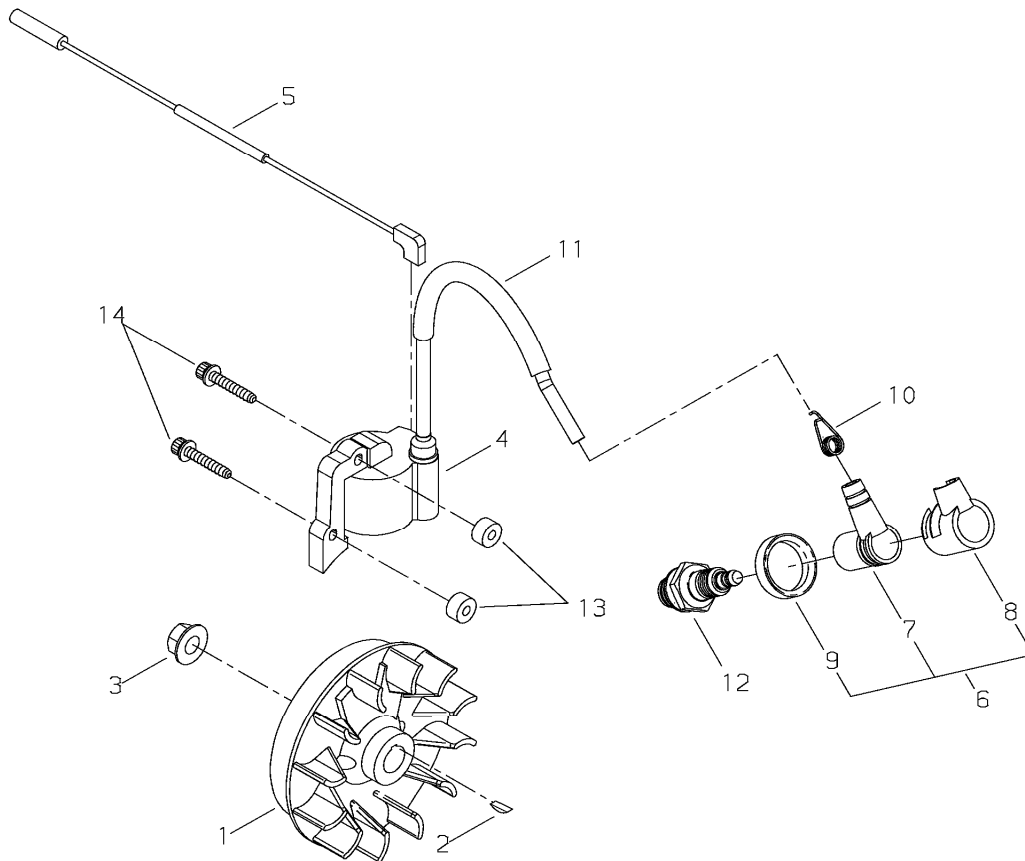
KEY	LV	PART NUMBER	Q'TY	DESCRIPTION	REMARKS	NOTE1	NOTE2
28		20024-83152	1	CABLE HOLDER			
29		11022-05200	4	BOLT SPW		M5x20	
30		70201-83130	1	CORD			
31		62706-91020	1	LABEL TRADE			

## 3. CRANKSHAFT



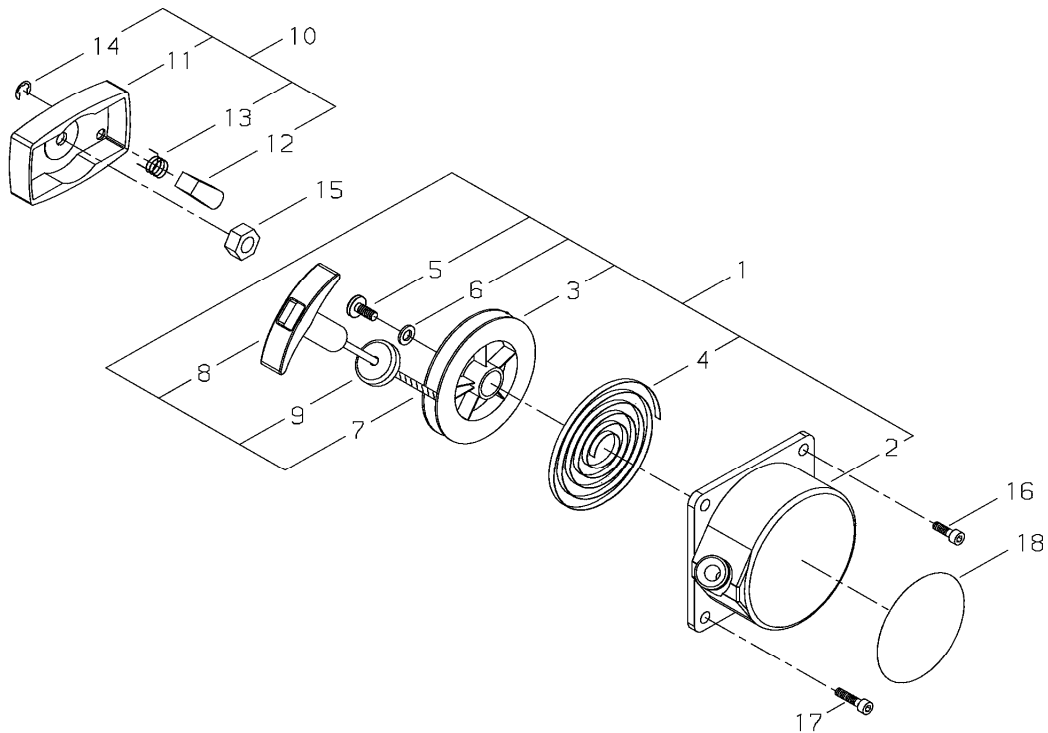
KEY	LV	PART NUMBER	Q'TY	DESCRIPTION	REMARKS	NOTE1	NOTE2
1		62028-41110	1	PISTON			
2		20000-41210	2	PISTON RING			
3		20000-41310	1	PISTON PIN			
4		20000-41320	2	SNAP RING			
5		37019-41230	1	NEEDLE BEARING			
6		37019-41240	2	THRUST WASHER			
7		20018-42000	1	CRANK SHAFT ASSY			
8		70140-51102	1	CLUTCH SHOE ASSY			
9	•	70140-51113	2	CLUTCH SHOE			
10	•	37013-51310	1	COIL SPRING			
11	•	20087-51210	2	BOLT			
12	•	20087-51231	2	SPRING PLATE			
13	•	22100-71430	2	WASHER			

## 4. MAGNETO



KEY	LV	PART NUMBER	Q'TY	DESCRIPTION	REMARKS	NOTE1	NOTE2
1		20018-71200	1	ROTOR			
2		02403-03100	1	KEY	3*10		
3		20035-71220	1	NUT			
4		20029-71600	1	COIL ASSY			
5		70201-71640	1	CORD			
6		20000-72200	1	PLUG CAP COMP			
7		20010-72221	1	PLUG CAP			
8		20000-72241	1	PLUG CAP COVER			
9		20000-72250	1	COVER BAND			
10		20000-72230	1	SPRING SPARK PLUG			
11		62028-71310	1	TUBE			
12		CJ-8Y	1	7° 5/8" CJ-8Y			
13		70030-71620	2	INSULATOR			
14		11024-04261	2	BOLT		M4x26	

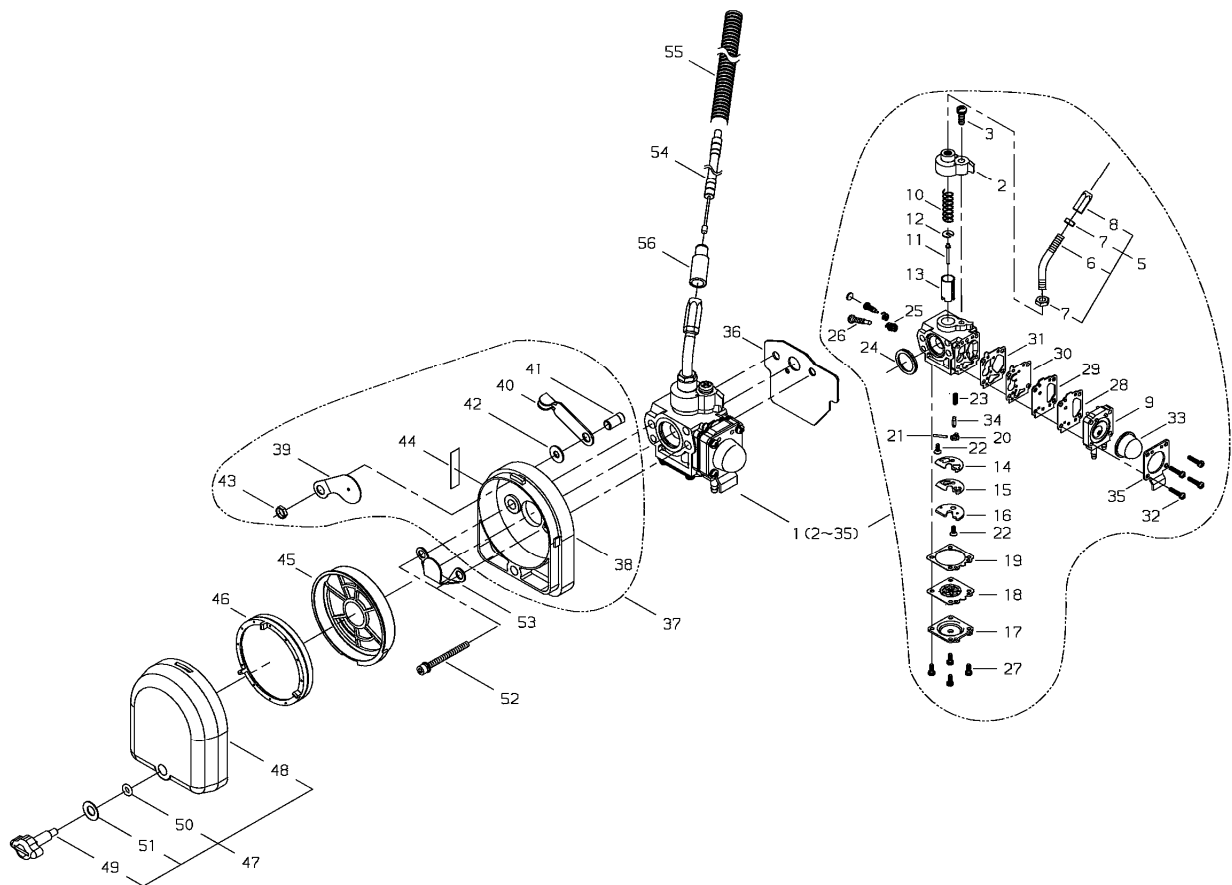
## 5. RECOIL STARTER



KEY	LV	PART NUMBER	Q'TY	DESCRIPTION	REMARKS	NOTE1	NOTE2
1		70102-75901	1	RECOIL STARETR			
2	•	70102-75111	1	STARTER CASE			
3	•	20024-75120	1	REEL			
4	•	20024-75130	1	RECOIL SPRING			
5	•	20035-75170	1	SCREW			
6	•	20024-75140	1	WASHER			
7	•	20024-75160	1	ROPE			
8	•	20024-75190	1	STARTER KNOB			
9	•	20024-75180	1	DAMPER			
10		20024-75200	1	STARTER PULLY			
11	•	20024-75210	1	STARTER PULLEY			
12	•	20024-75220	1	RATCHET			
13	•	20024-75230	1	RETURN SPRING			
14	•	20024-75240	1	E RING			
15		20035-43230	1	NUT			
16		11022-05200	2	BOLT SPW		M5x20	
17		11022-05250	2	BOLT SPW		M5x25	
18		19420-00064	1	LABEL TRADE			

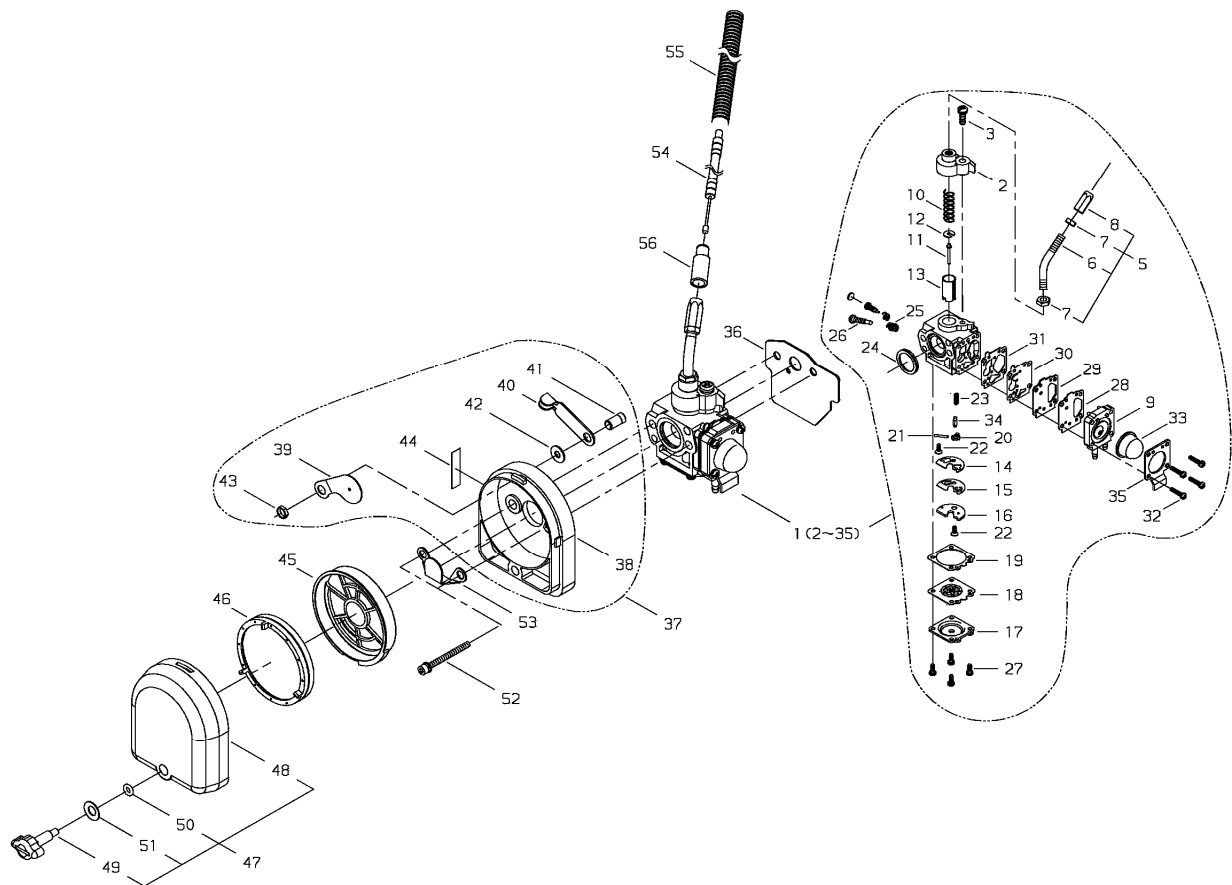


## 6. CARBURETOR



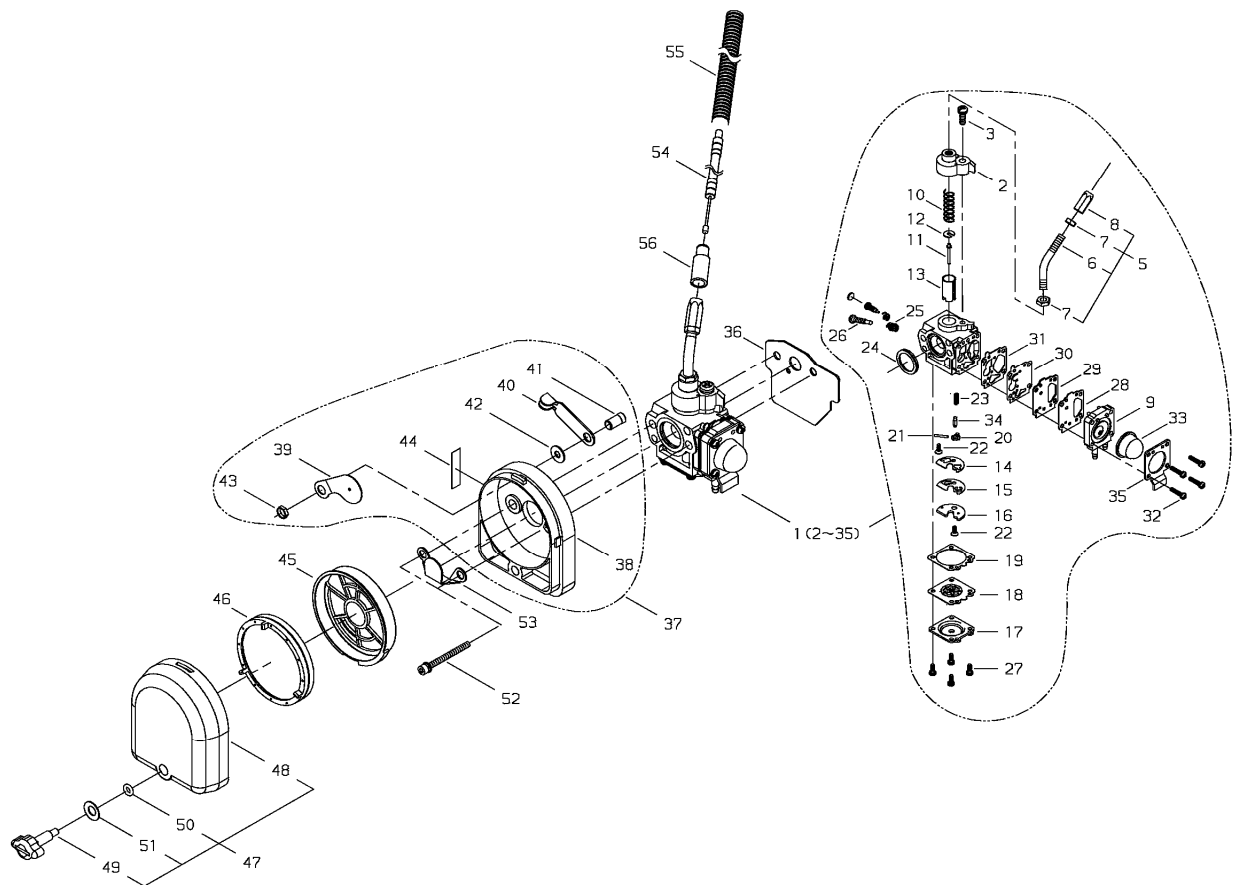
KEY	LV	PART NUMBER	Q'TY	DESCRIPTION	REMARKS	NOTE1	NOTE2
1		62028-81011	1	CARBURETOR ASSY			
2	•	70144-81340	1	BODY TOP COMP			
3	•	20019-81120	1	SCREW		M5x15	
5	•	62028-81321	1	ELBOW ASSY			
6	• •	62028-81331	1	ELBOW			
7	• •	20000-81260	2	LOCK NUT			
8	• •	20055-81810	1	CABLE ADJUSTER			
9	•	68501-81320	1	PUMP COVER ASSY			
10	•	20003-81140	1	THROTTLE SPRING			
11	•	70144-81170	1	JET NEEDLE			
12	•	20000-81150	1	SPRING RECEIVE			
13	•	20019-81182	1	THROTTLE VALVE			
14	•	20019-81580	1	GASKET			
15	•	20019-81570	1	CHECK VALVE			
16	•	20019-81560	1	PLATE			
17	•	20019-81530	1	COVER DIAPHRAGM			
18	•	68501-81380	1	DIAPHRAGM			
19	•	20019-81510	1	GASKET			
20	•	20019-81450	1	CONTROL LEVER			
21	•	20011-81460	1	PIN			
22	•	20011-81470	2	SCREW		M3x8	
23	•	20040-81430	1	SPRING			
24	•	20019-81280	1	RING GASKET			
25	•	72920-81820	1	SPRING			
26	•	20019-81310	1	SLOW STOP SCREW			
27	•	20000-81540	4	SCREW		M3x8	

## 6. CARBURETOR



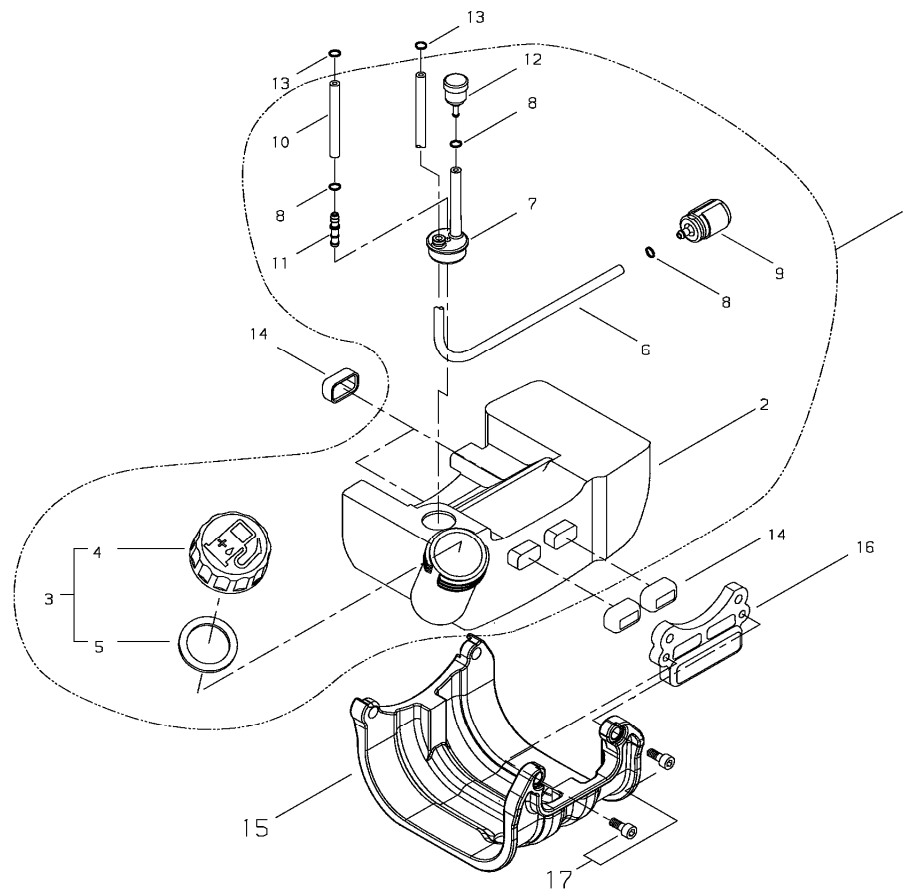
KEY	LV	PART NUMBER	Q'TY	DESCRIPTION	REMARKS	NOTE1	NOTE2
28	•	20019-81660	1	GASKET			
29	•	20019-81610	1	PUMP PLATE			
30	•	68501-81450	1	DIAPHRAGM PUMP			
31	•	20019-81630	1	GASKET			
32	•	20019-81680	4	SCREW		M3x14	
33	•	68501-81460	1	PRIMING PUMP			
34	•	20019-81440	1	NEEDLE VALVE			
35	•	68501-81470	1	PLATE			
36		62028-81210	1	GASKET CABURETOR			
37		62028-82010	1	CLEANER BODY COMP			
38	•	62028-82110	1	CLEANER BODY			
39	•	20115-82121	1	CHOKE PLATE			
40	•	20115-82130	1	CHOKE LEVER			
41	•	20110-82140	1	CHOKE SHAFT			
42	•	20024-81790	1	CONE WASHER			
43	•	11524-06211	1	U NUT			
44	•	19404-00008	1	LABEL CHOKE			
45		62028-82310	1	NET			
46		60028-98010	1	FILTER			
47		20115-81770	1	CLEANER COVER COMP			
48	•	20024-81770	1	CLEANER COVER			
49	•	20115-81780	1	KNOB CLEANER COVER			
50	•	22100-82430	1	O RING			
51	•	20024-81790	1	CONE WASHER			
52		11020-05500	2	BOLT SW		M5x50	
53		70131-81750	1	PLATE			

## 6. CARBURETOR



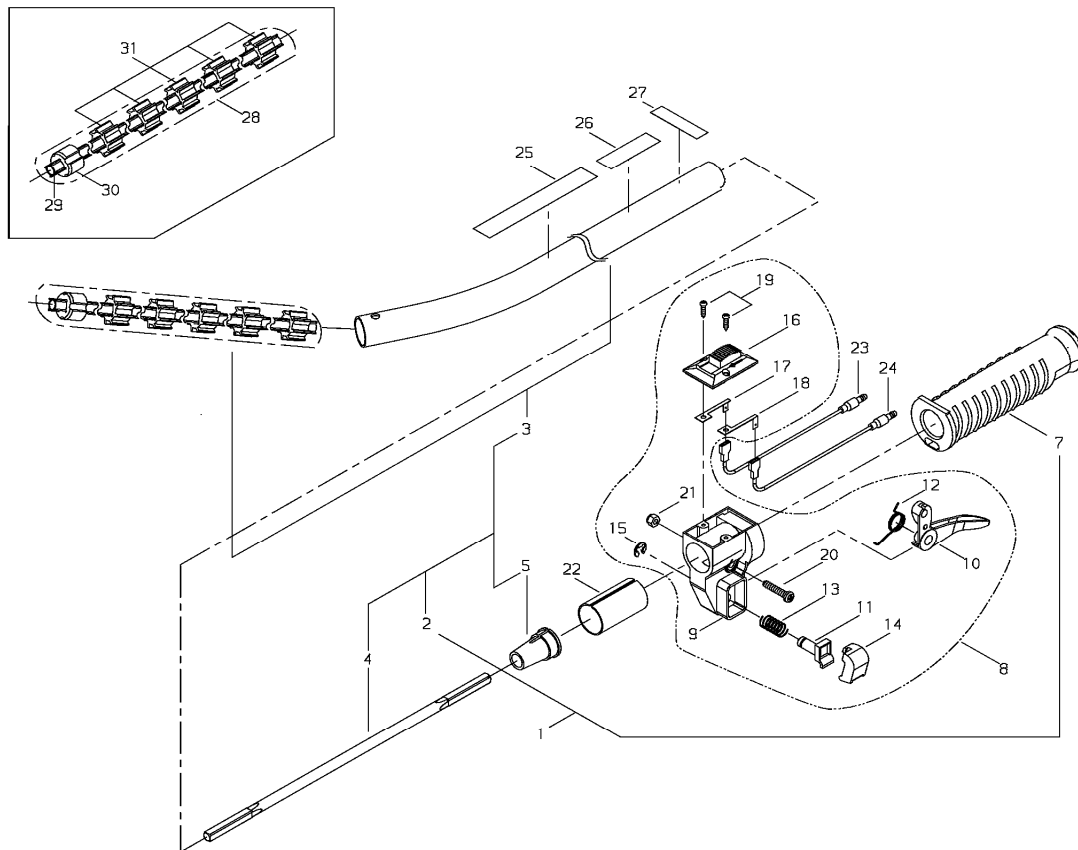
KEY	LV	PART NUMBER	Q'TY	DESCRIPTION	REMARKS	NOTE1	NOTE2
54		60028-98030	1	THROTTLE CABLE			
55		70201-83140	1	TUBE			
56		20005-83160	1	CABLE CAP			

## 7. FUEL TANK



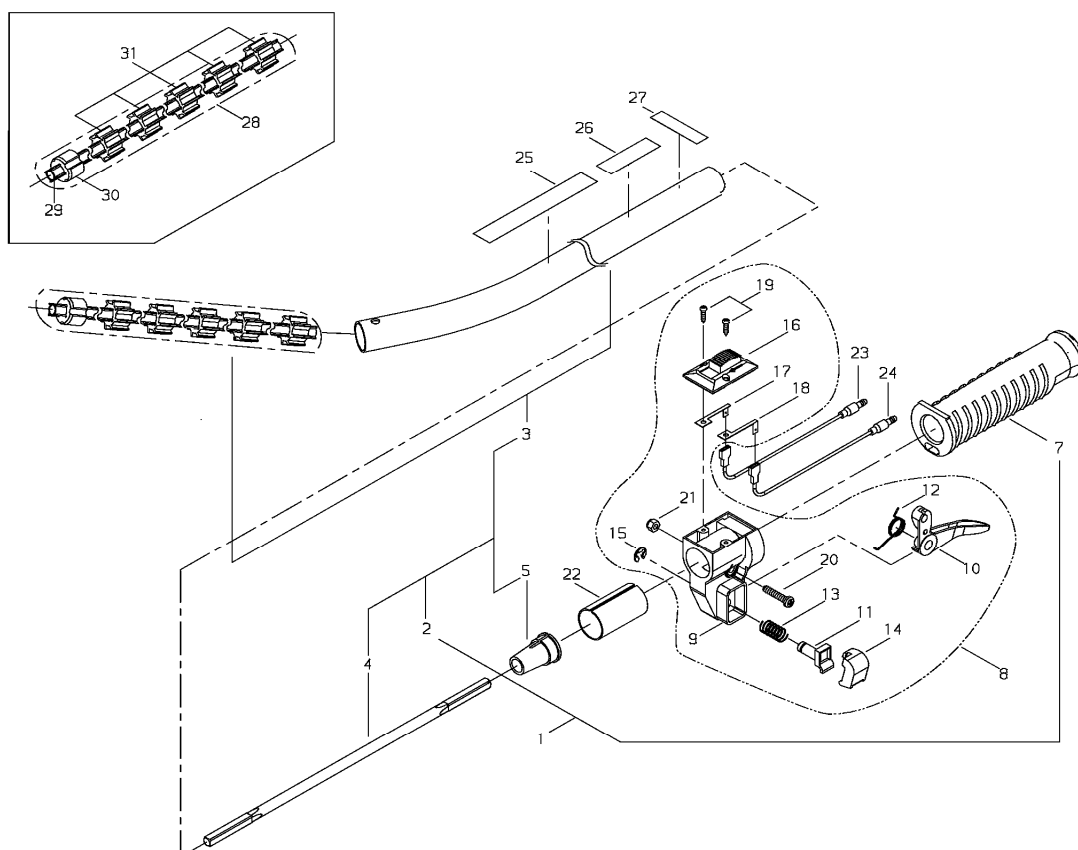
KEY	LV	PART NUMBER	Q'TY	DESCRIPTION	REMARKS	NOTE1	NOTE2
1		62118-85010	1	FUEL TANK ASSY			
2	•	62118-85110	1	FUEL TANK			
3	•	70043-85201	1	FUEL CAP SUB ASSY			
4	• •	70168-85210	1	FUEL CAP			
5	• •	20000-85221	1	GASKET			
6	•	62023-85310	1	FUEL PIPE			
7	•	62028-85310	1	GROMMET			
8	•	20020-85540	3	CLIP			
9	•	22115-85401	1	FUEL FILTER			
10	•	32003-85330	1	PIPE			
11	•	72933-85620	1	JOINT			
12	•	20035-85522	1	VALVE			
13		20020-85540	2	CLIP			
14		20018-86120	4	TANK CUSHION			
15		62902-85320	1	TANK GUARD			
16		20018-86112	1	TANK HOLDER			
17		11022-05160	2	BOLT SPW		M5x16	

## 8. OUTER PIPE



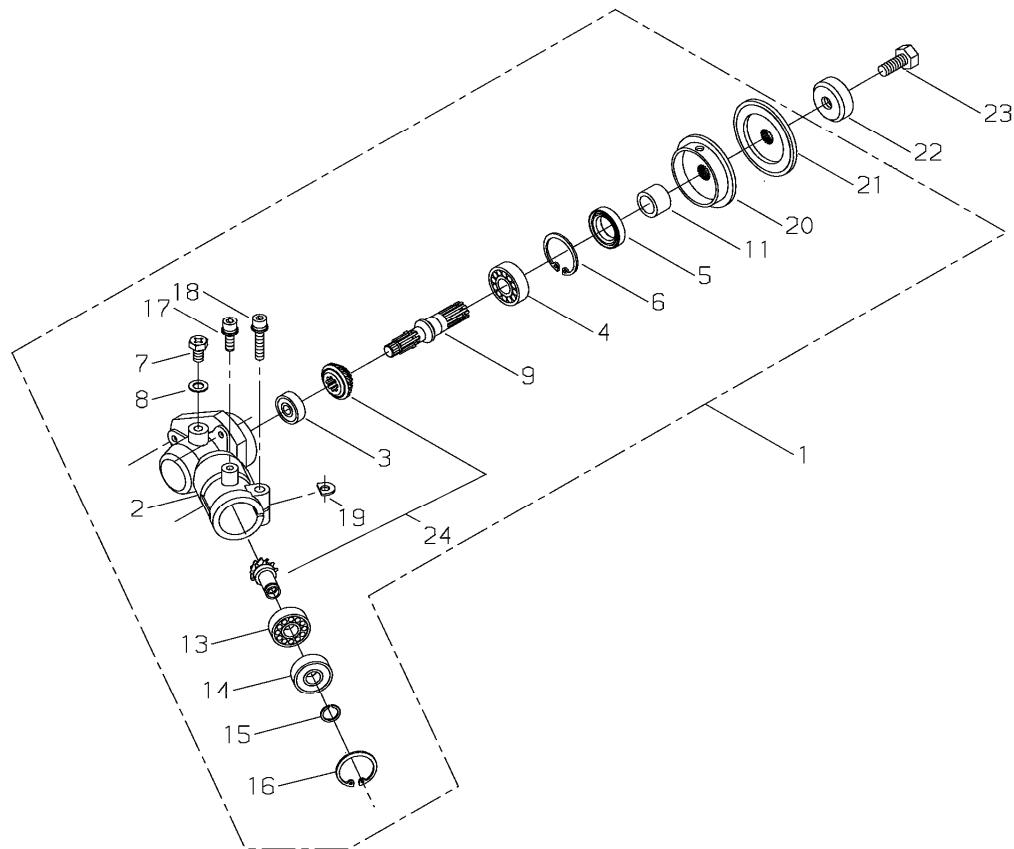
KEY	LV	PART NUMBER	Q'TY	DESCRIPTION	REMARKS	NOTE1	NOTE2
1		72951-12101	1	PIPE SUB ASSY			
2	•	72951-12191	1	PIPE COMP			
3	• •	72951-12310	1	OUTER PIPE COMP			
4	• •	72951-12410	1	FLEXIBLE SHAFT			
5	• •	72950-12130	1	SPACER			
7	•	22422-12610	1	GRIP			
8		22421-14300	1	THROTTLE LEVER ASSY			
9	•	22421-14320	1	BODY			
10	•	22421-14330	1	LEVER			
11	•	72435-12740	1	SHAFT			
12	•	72435-12750	1	RETURN SPRING			
13	•	72435-12760	1	SPRING			
14	•	72435-12770	1	BUTTON			
15	•	72435-12780	1	SNAP RING			
16	•	72447-14830	1	SWITCH COMP			
17	•	22421-14860	1	EARTH PLATE			
18	•	22421-14870	1	EARTH PLATE			
19	•	72447-14890	2	SCREW TAPPING			
20	•	11203-05250	1	SCREW PM			
21	•	72447-14950	1	NYLON NUT			
22		22036-14130	1	SPACER			
23		72560-14520	1	CORD			
24		72560-14530	1	CORD			
25		19420-00084	1	LABEL TRADE		shindaiwa,PROFES SIONAL	
26		19422-00046	1	LABEL CAUTION			

## 8. OUTER PIPE



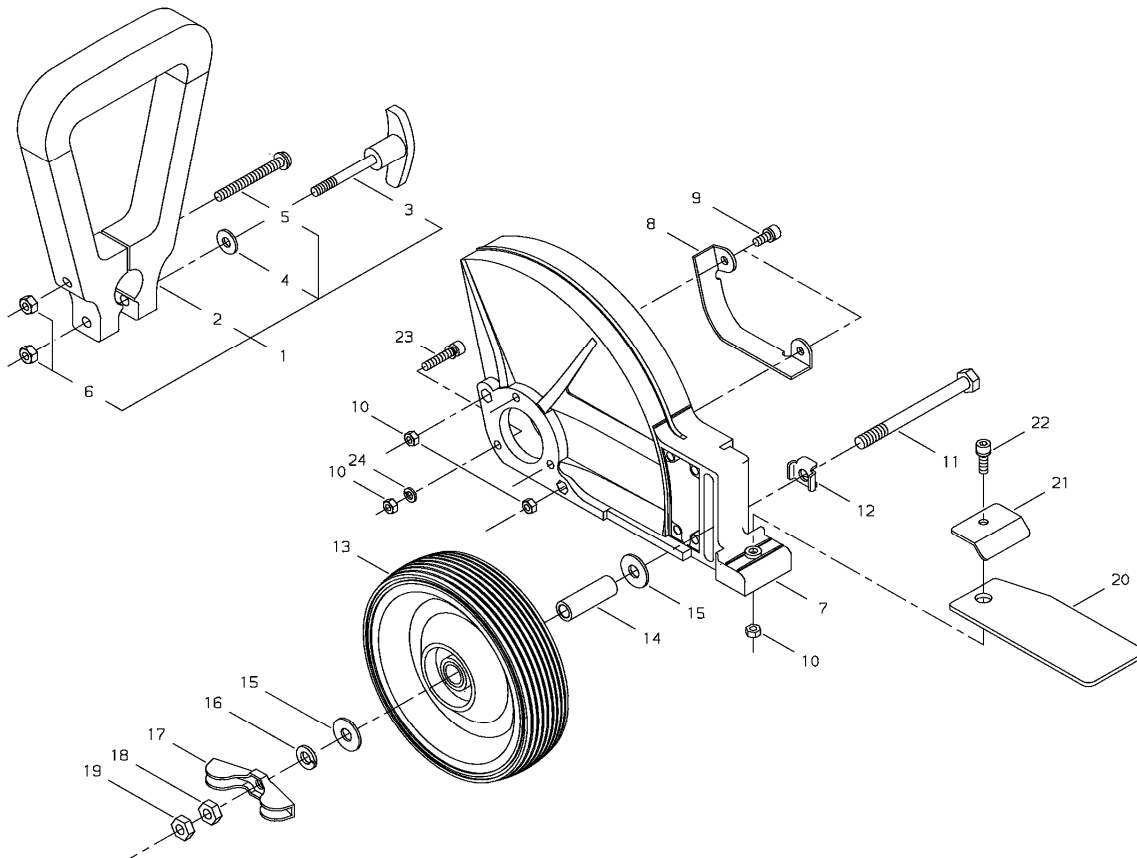
KEY	LV	PART NUMBER	Q'TY	DESCRIPTION	REMARKS	NOTE1	NOTE2
27		19401-00269	1	LABEL INST			
28		60720-98310	1	LINER ASSY			
29	•	60720-98320	1	LINER			
30	•	65010-62370	1	BUSH			
31	•	65010-62360	5	BUSH			

## 9. GEAR CASE



KEY	LV	PART NUMBER	Q'TY	DESCRIPTION	REMARKS	NOTE1	NOTE2
1		72958-13012	1	GEAR CASE SUB ASSY			
2	•	72958-13110	1	GEAR CASE			
3	•	02036-00608	1	BEARING		608DDU C3	
4	•	37074-63310	1	BEARING		6001	
5	•	22420-13140	1	OIL SEAL			
6	•	02432-28120	1	SNAP RING		φ28	
7	•	01014-06100	1	BOLT		M6x10	
8	•	01610-06080	1	WASHER		M6	
9	•	22495-13210	1	GEAR SHAFT			
11	•	22000-13230	1	COLLAR			
13	•	02000-00609	1	BEARING		609	
14	•	02002-00609	1	BEARING		609ZZ	
15	•	22420-13350	1	SNAP RING			
16	•	02432-24120	1	SNAP RING			
17	•	11022-05160	1	BOLT SPW		M5x16	
18	•	11023-05250	1	BOLT SW		M5x25	
19	•	22000-13420	1	SHIM			
20	•	22420-13510	1	HOLDER A			
21	•	37019-63170	1	HOLDER			
22		22000-13290	1	BOLT GUARD			
23		22000-13512	1	BOLT			
24	•	60715-98310	1	GEAR SET			

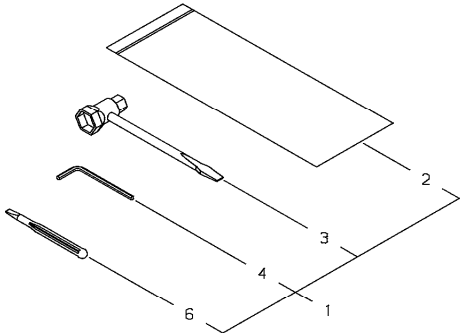
## 10. HANDLE, GUARD



KEY	LV	PART NUMBER	Q'TY	DESCRIPTION	REMARKS	NOTE1	NOTE2
1		72951-14100	1	HANDLE ASSY			
2	•	72951-14110	1	HANDLE			
3	•	72030-14120	1	KNOB			
4	•	72030-14130	1	WASHER			
5	•	72030-14141	1	SCREW			
6	•	01500-06051	2	NUT	M6		
7		72958-16113	1	GUARD			
8		72958-16210	1	PROTECTOR			
9		11020-05120	2	BOLT SW		M5x12	
10		01500-05041	6	NUT	M5	M5	
11		01000-08901	1	BOLT		M8x90	
12		72958-16321	1	LOCK PLATE			
13		72958-16331	1	WHEEL			
14		15401-10300	1	COLLAR			
15		15401-20006	2	COLLAR			
16		01600-08201	1	SPRING WASHER			
17		72958-16340	1	KNOB			
18		01500-08061	1	NUT		M8	
19		72958-16350	1	LOCK NUT			
20		72958-16411	1	FLAP			
21		72958-16421	1	PLATE			
22		11020-05160	1	BOLT SW		M5x16	
23		11023-05250	3	BOLT SW		M5x25	
24		01600-05131	3	SPRING WASHER			

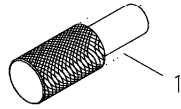


11. TOOL



KEY	LV	PART NUMBER	Q'TY	DESCRIPTION	REMARKS	NOTE1	NOTE2
1		62704-92010	1	TOOL SET			
2	•	19639-01400	1	BAG,PACKING	140*200*T0.08		
3	•	22000-91181	1	PLUG WRENCH		19x13	
4	•	09026-04001	1	HEXA WRENCH	4MM M5㉿	4mm	
6	•	62023-92010	1	SCRAPER			

12. OPTION TOOL (SHAFT)



KEY	LV	PART NUMBER	Q'TY	DESCRIPTION	REMARKS	NOTE1	NOTE2
1		60720-98330	1	ROD			



**Index**

<b>Patrs Number</b>	<b>Key No.</b>	<b>Patrs Number</b>	<b>Key No.</b>	<b>Patrs Number</b>	<b>Key No.</b>
01000-08901	10 - 11	15401-10300	10 - 14	20019-81680	6 - 32
01014-06100	9 - 7	15401-20006	10 - 15	20020-85540	7 - 8
01020-05100	1 - 27	19401-00269	8 - 27	20020-85540	7 - 13
01020-05250	1 - 26	19404-00008	6 - 44	20024-75120	5 - 3
01020-05250	2 - 10	19420-00064	5 - 18	20024-75130	5 - 4
01020-05655	1 - 25	19420-00084	8 - 25	20024-75140	5 - 6
01201-04080	1 - 18	19422-00046	8 - 26	20024-75160	5 - 7
01500-05041	10 - 10	19639-01400	11 - 2	20024-75180	5 - 9
01500-06051	10 - 6	20000-21211	2 - 8	20024-75190	5 - 8
01500-08061	10 - 18	20000-41210	3 - 2	20024-75200	5 - 10
01600-05131	10 - 24	20000-41310	3 - 3	20024-75210	5 - 11
01600-08201	10 - 16	20000-41320	3 - 4	20024-75220	5 - 12
01610-05085	1 - 24	20000-72200	4 - 6	20024-75230	5 - 13
01610-06080	9 - 8	20000-72230	4 - 10	20024-75240	5 - 14
01613-04080	1 - 13	20000-72241	4 - 8	20024-81770	6 - 48
02000-00609	9 - 13	20000-72250	4 - 9	20024-81790	6 - 42
02002-00609	9 - 14	20000-81150	6 - 12	20024-81790	6 - 51
02006-06000	2 - 13	20000-81260	6 - 7	20024-83152	2 - 28
02036-00608	9 - 3	20000-81540	6 - 27	20029-71600	4 - 4
02403-03100	4 - 2	20000-85221	7 - 5	20035-43230	5 - 15
02432-24120	9 - 16	20003-81140	6 - 10	20035-71220	4 - 3
02432-26120	2 - 14	20005-83160	6 - 56	20035-75170	5 - 5
02432-28120	9 - 6	20010-72221	4 - 7	20035-85522	7 - 12
09026-04001	11 - 4	20011-81460	6 - 21	20040-81430	6 - 23
11020-05120	10 - 9	20011-81470	6 - 22	20055-81810	6 - 8
11020-05160	1 - 3	20018-12120	1 - 2	20087-51210	3 - 11
11020-05160	10 - 22	20018-21111	2 - 2	20087-51231	3 - 12
11020-05350	1 - 4	20018-21122	2 - 6	20110-31130	2 - 17
11020-05500	6 - 52	20018-31411	2 - 22	20110-82140	6 - 41
11022-05160	2 - 18	20018-31420	2 - 23	20115-81770	6 - 47
11022-05160	2 - 21	20018-31430	2 - 24	20115-81780	6 - 49
11022-05160	7 - 17	20018-42000	3 - 7	20115-82121	6 - 39
11022-05160	9 - 17	20018-71200	4 - 1	20115-82130	6 - 40
11022-05200	2 - 29	20018-86112	7 - 16	20134-31111	2 - 12
11022-05200	5 - 16	20018-86120	7 - 14	22000-13230	9 - 11
11022-05250	5 - 17	20019-81120	6 - 3	22000-13290	9 - 22
11022-05300	1 - 7	20019-81182	6 - 13	22000-13320	2 - 16
11022-05300	2 - 19	20019-81280	6 - 24	22000-13420	9 - 19
11023-05250	2 - 25	20019-81310	6 - 26	22000-13512	9 - 23
11023-05250	9 - 18	20019-81440	6 - 34	22000-91181	11 - 3
11023-05250	10 - 23	20019-81450	6 - 20	22036-14130	8 - 22
11024-04261	4 - 14	20019-81510	6 - 19	22100-71430	3 - 13
11203-04060	1 - 12	20019-81530	6 - 17	22100-82430	6 - 50
11203-05250	8 - 20	20019-81560	6 - 16	22115-85401	7 - 9
11524-06211	6 - 43	20019-81570	6 - 15	22150-21250	2 - 4
12492-40080	2 - 9	20019-81580	6 - 14	22420-13140	9 - 5
12900-60010	2 - 3	20019-81610	6 - 29	22420-13350	9 - 15
12900-60010	2 - 7	20019-81630	6 - 31	22420-13510	9 - 20
15401-10010	1 - 28	20019-81660	6 - 28	22421-14300	8 - 8

**Index**

<b>Patrs Number</b>	<b>Key No.</b>	<b>Patrs Number</b>	<b>Key No.</b>	<b>Patrs Number</b>	<b>Key No.</b>
22421-14320	8 - 9	62118-85010	7 - 1	72951-14110	10 - 2
22421-14330	8 - 10	62118-85110	7 - 2	72958-13012	9 - 1
22421-14860	8 - 17	62704-92010	11 - 1	72958-13110	9 - 2
22421-14870	8 - 18	62706-31010	2 - 11	72958-16113	10 - 7
22422-12610	8 - 7	62706-91020	2 - 31	72958-16210	10 - 8
22495-13210	9 - 9	62902-85320	7 - 15	72958-16321	10 - 12
32003-85330	7 - 10	65010-62360	8 - 31	72958-16331	10 - 13
37013-51310	3 - 10	65010-62370	8 - 30	72958-16340	10 - 17
37019-41230	3 - 5	68501-81320	6 - 9	72958-16350	10 - 19
37019-41240	3 - 6	68501-81380	6 - 18	72958-16411	10 - 20
37019-63170	9 - 21	68501-81450	6 - 30	72958-16421	10 - 21
37074-63310	9 - 4	68501-81460	6 - 33	CJ-8Y	4 - 12
60028-98010	6 - 46	68501-81470	6 - 35		
60028-98030	6 - 54	70030-71620	4 - 13		
60715-98310	9 - 24	70043-85201	7 - 3		
60720-98310	8 - 28	70102-75111	5 - 2		
60720-98320	8 - 29	70102-75901	5 - 1		
60720-98330	12 - 1	70131-81750	6 - 53		
62023-85310	7 - 6	70135-31470	2 - 27		
62023-92010	11 - 6	70137-31210	2 - 15		
62028-12110	1 - 1	70140-51102	3 - 8		
62028-12211	1 - 5	70140-51113	3 - 9		
62028-12220	1 - 6	70144-81170	6 - 11		
62028-15010	1 - 8	70144-81340	6 - 2		
62028-15110	1 - 9	70168-85210	7 - 4		
62028-15160	1 - 11	70201-71640	4 - 5		
62028-15210	1 - 19	70201-83130	2 - 30		
62028-15310	1 - 15	70201-83140	6 - 55		
62028-15320	1 - 20	72030-14120	10 - 3		
62028-15330	1 - 22	72030-14130	10 - 4		
62028-15340	1 - 21	72030-14141	10 - 5		
62028-15350	1 - 23	72435-12740	8 - 11		
62028-15360	1 - 10	72435-12750	8 - 12		
62028-15380	1 - 16	72435-12760	8 - 13		
62028-15390	1 - 17	72435-12770	8 - 14		
62028-15410	1 - 14	72435-12780	8 - 15		
62028-32110	2 - 20	72447-14830	8 - 16		
62028-41110	3 - 1	72447-14890	8 - 19		
62028-71310	4 - 11	72447-14950	8 - 21		
62028-81011	6 - 1	72560-14520	8 - 23		
62028-81210	6 - 36	72560-14530	8 - 24		
62028-81321	6 - 5	72920-81820	6 - 25		
62028-81331	6 - 6	72933-85620	7 - 11		
62028-82010	6 - 37	72950-12130	8 - 5		
62028-82110	6 - 38	72951-12101	8 - 1		
62028-82310	6 - 45	72951-12191	8 - 2		
62028-85310	7 - 7	72951-12310	8 - 3		
62071-21010	2 - 1	72951-12410	8 - 4		
62071-21020	2 - 5	72951-14100	10 - 1		

# YAMABIKO CORPORATION

7-2 SUEHIROCHO 1-CHOME, OHME, TOKYO 198-8760, JAPAN  
PHONE: 81-428-32-6118. FAX: 81-428-32-6145.

**shindaiwa<sup>®</sup>**



EVC  
No.