

EC741S

Serial Number

38001001-38999999

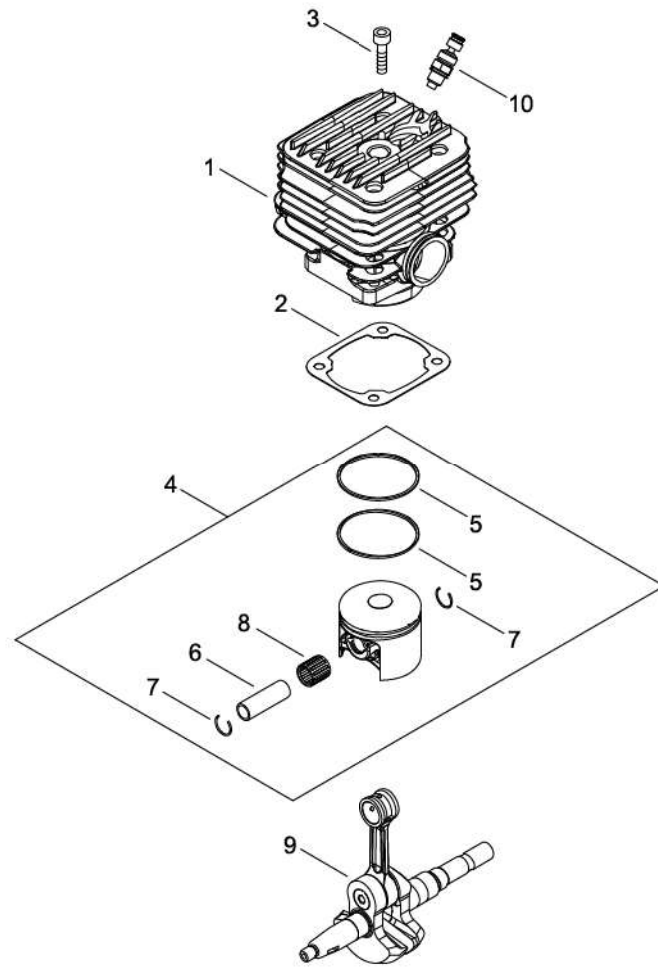
Last updated date

14/Apr/2021

TABLE OF CONTENTS

CYLINDER, PISTON, CRANKSHAFT	1
CRANKCASE	3
MAGNETO.....	5
AIR CLEANER, CARBURETOR.....	7
CARBURETOR.....	9
MUFFLER.....	11
RECOIL STARTER.....	13
HANDLE.....	15
CLUTCH, ARM COVER.....	17
ACCESSORIES	21
WATER SYSTEM KIT.....	23

CYLINDER, PISTON, CRANKSHAFT



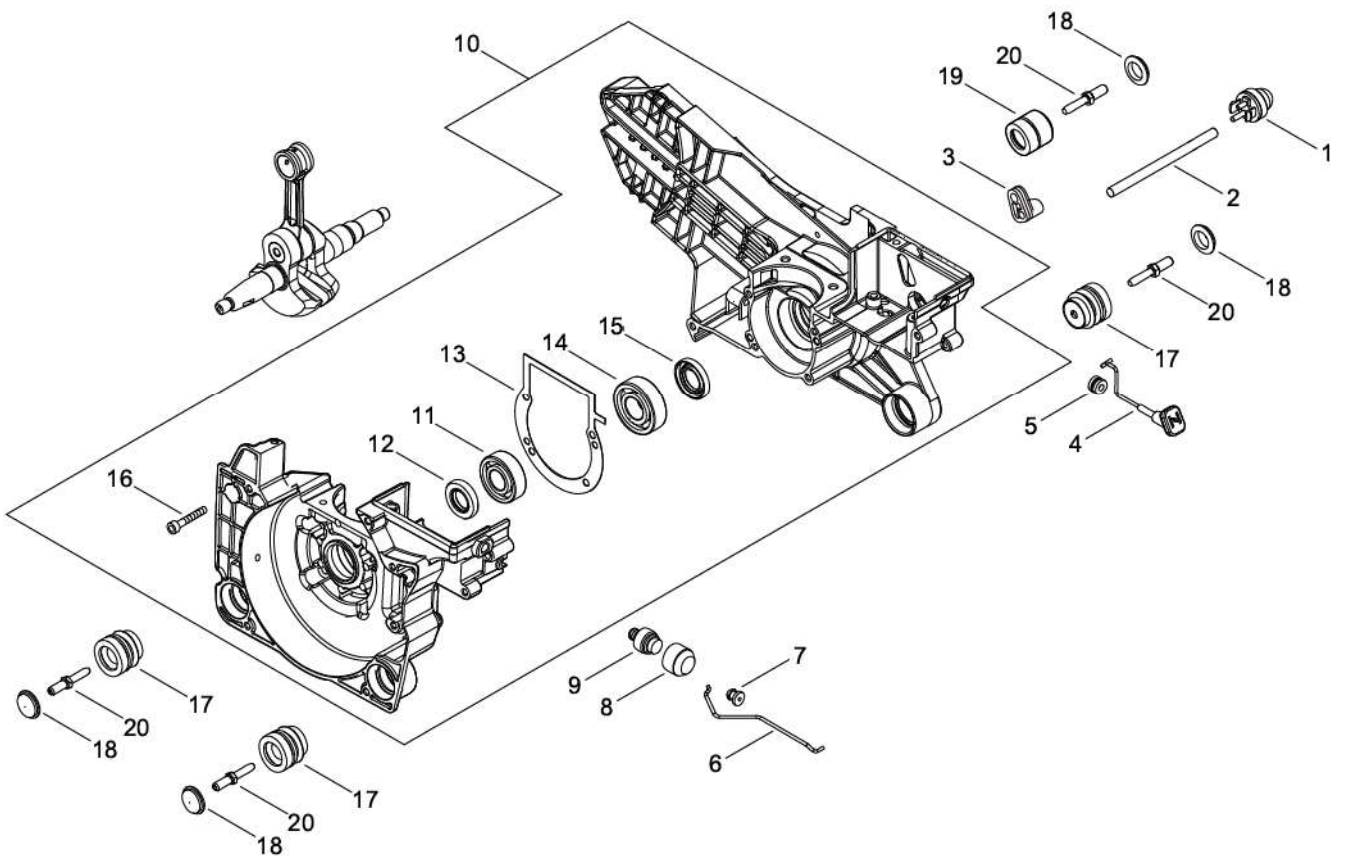
CYLINDER, PISTON, CRANKSHAFT

Key No.	LV (+)	Parts Number	Parts Description	Qty	Standard	Class
1		A130-002360	CYLINDER	1		D
2		V100-000580	GASKET	1		B
3		V204-000690	BOLT	4		C
4		P021-052650	PISTON KIT	1		
5	+	A101-000570	RING,PISTON	2		B
6	+	V610-000010	PISTON PIN	1		D
7	+	V580-000060	SNAP RING	2		C
8	+	V557-000030	BEARING,NEEDLE	1		C
9		A011-001430	CRANKSHAFT,ASY	1		D
10		A014-000130	RELEASE ASY., COMP.	1		B

Class : Consumable class

A:Fast moving parts B:Semi-fast moving parts C:Slow moving parts D:Order only as needed

CRANKCASE



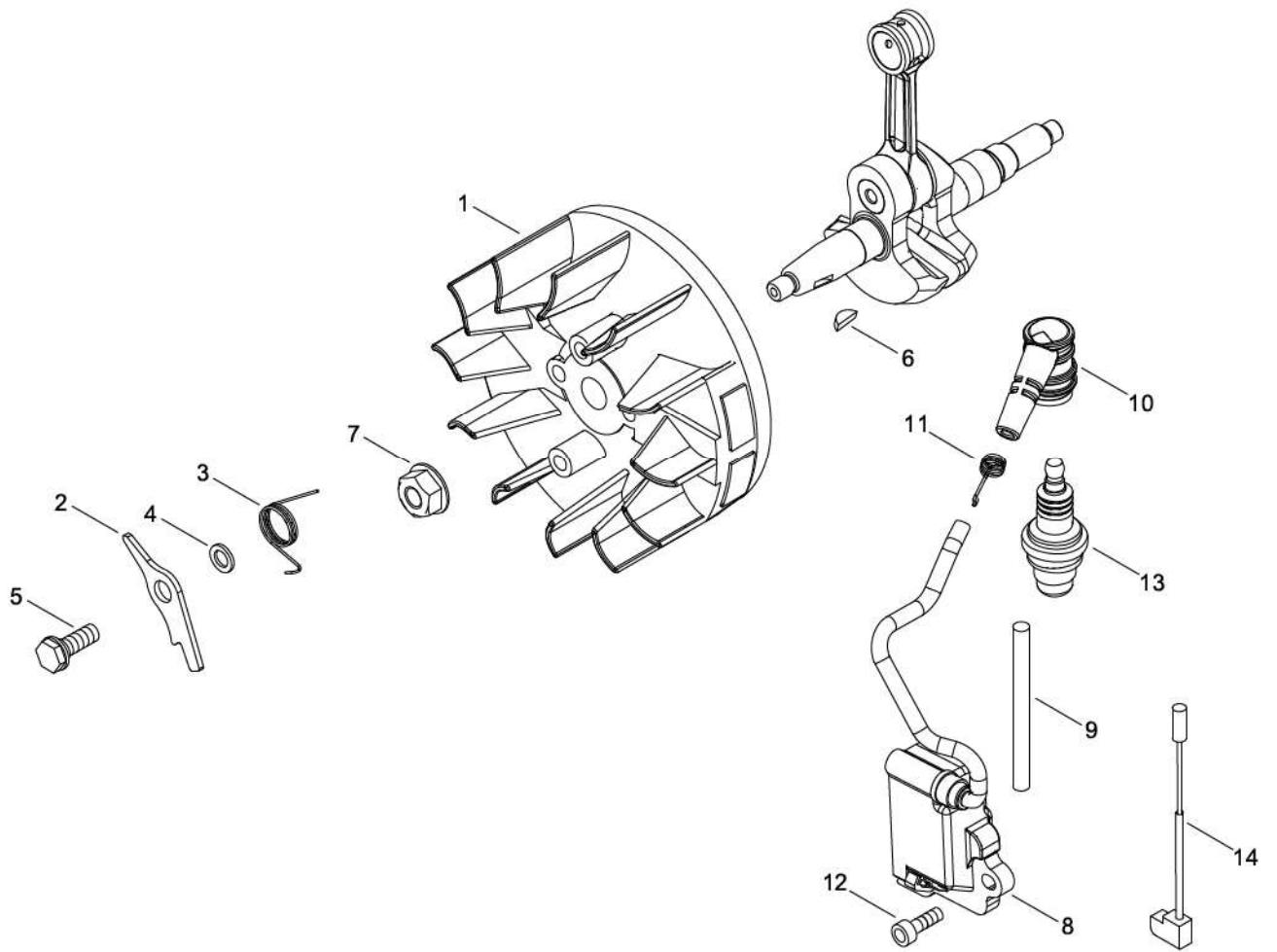
CRANKCASE

Key No.	LV (+)	Parts Number	Parts Description	Qty	Standard	Class
1		A035-000040	PUMP, FUEL	1	188-554-A	A
2		V470-001650	PIPE	1		C
3		V131-000240	GROMMET,NEEDLE	1		C
4		A240-000181	ROD, CHOKE	1		C
5		V130-000160	GROMMET CHOKE	1		C
6		C454-000530	ROD, THROTTLE	1		C
7		V133-000040	GROMMET	1		C
8		V494-000330	CAP	1		C
9		A440-001670	SWITCH	1		C
10		P100-001170	CRANKCASE SET	1		
11	+	900810-36202	BEARING, BALL	1	6202	
12	+	V508-000080	OIL SEAL	1		C
13	+	V102-000280	GASKET,CRANKCASE	1		B
14	+	94000-36203	BEARING, BALL	1	6203	
15	+	V510-000030	OIL SEAL	1		C
16	+	V203-002220	BOLT,5	6		C
17		V401-000350	CUSHION 27	3		B
18		V421-000050	PLUG 27	4		C
19		V401-000430	CUSHION 26	1	HS40	B
20		V203-001650	STOPPER BOLT	4		C

Class : Consumable class

A:Fast moving parts B:Semi-fast moving parts C:Slow moving parts D:Order only as needed

MAGNETO



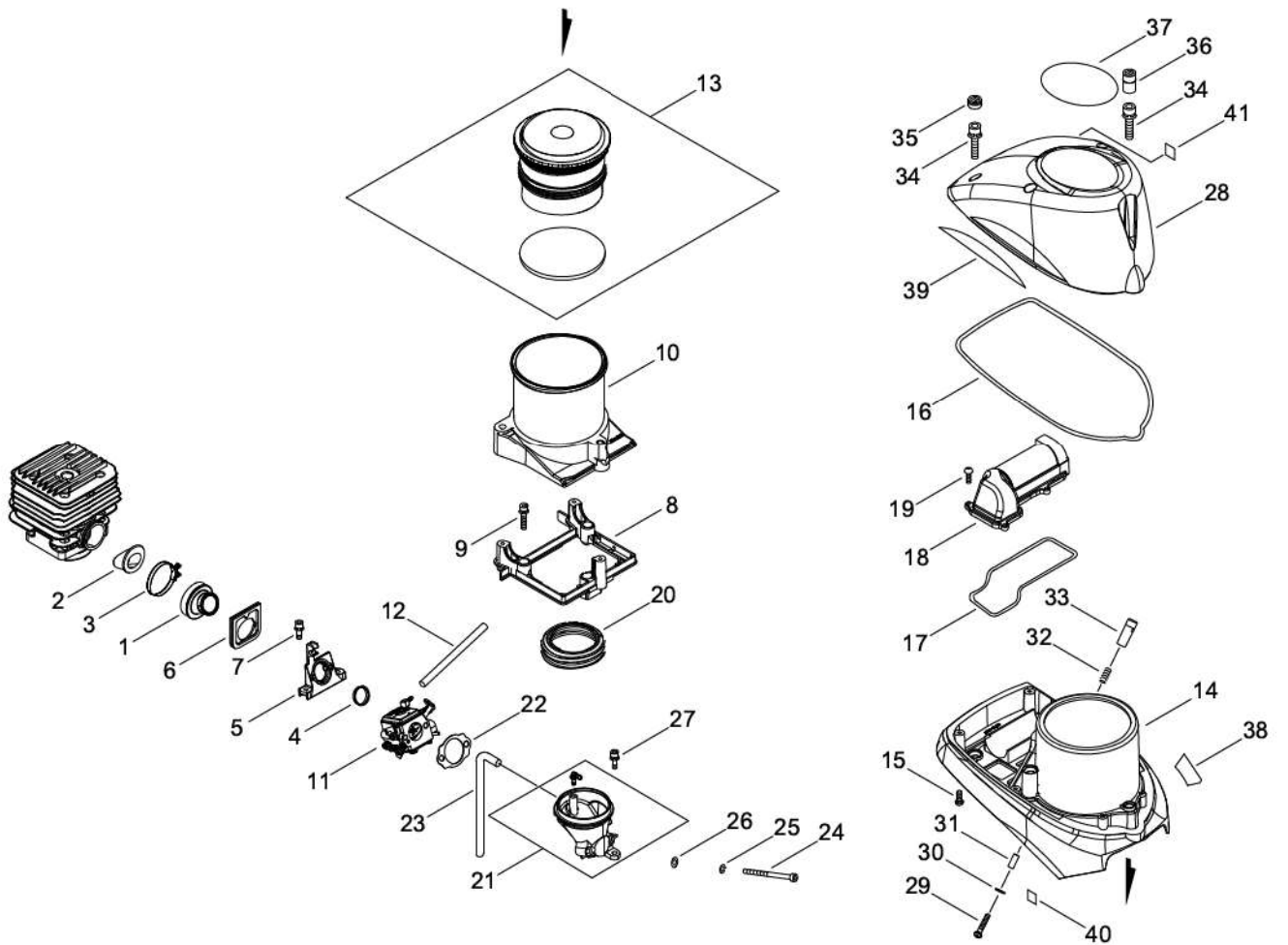
MAGNETO

Key No.	LV (+)	Parts Number	Parts Description	Qty	Standard	Class
1		A409-001041	ROTOR,MAGNETO	1	ID_UK-11801	C
2		A514-000240	RATCHET	2		C
3		V452-000990	COIL SPRING	2		B
4		V304-000300	COLLAR	2		C
5		V204-000720	BOLT	2		C
6		93115-03010	KEY, WOODRUFF	1	3*10	
7		V265-000220	NUT	1		C
8		A411-001820	COIL, IGNITION	1	ID#2670	C
9		V475-008680	TUBE	1	L=185	C
10		A427-000200	CAP,SPARK PLUG	1		C
11		A426-000010	TERMINAL,SPARKPLUG	1		C
12		V203-002210	BOLT,5	2		C
13		159010-10230	PLUG, SPARK (BPMR-7A	1	BPMR-7A	A
14		V485-002820	LEAD	1		C

Class : Consumable class

A:Fast moving parts B:Semi-fast moving parts C:Slow moving parts D:Order only as needed

AIR CLEANER, CARBURETOR



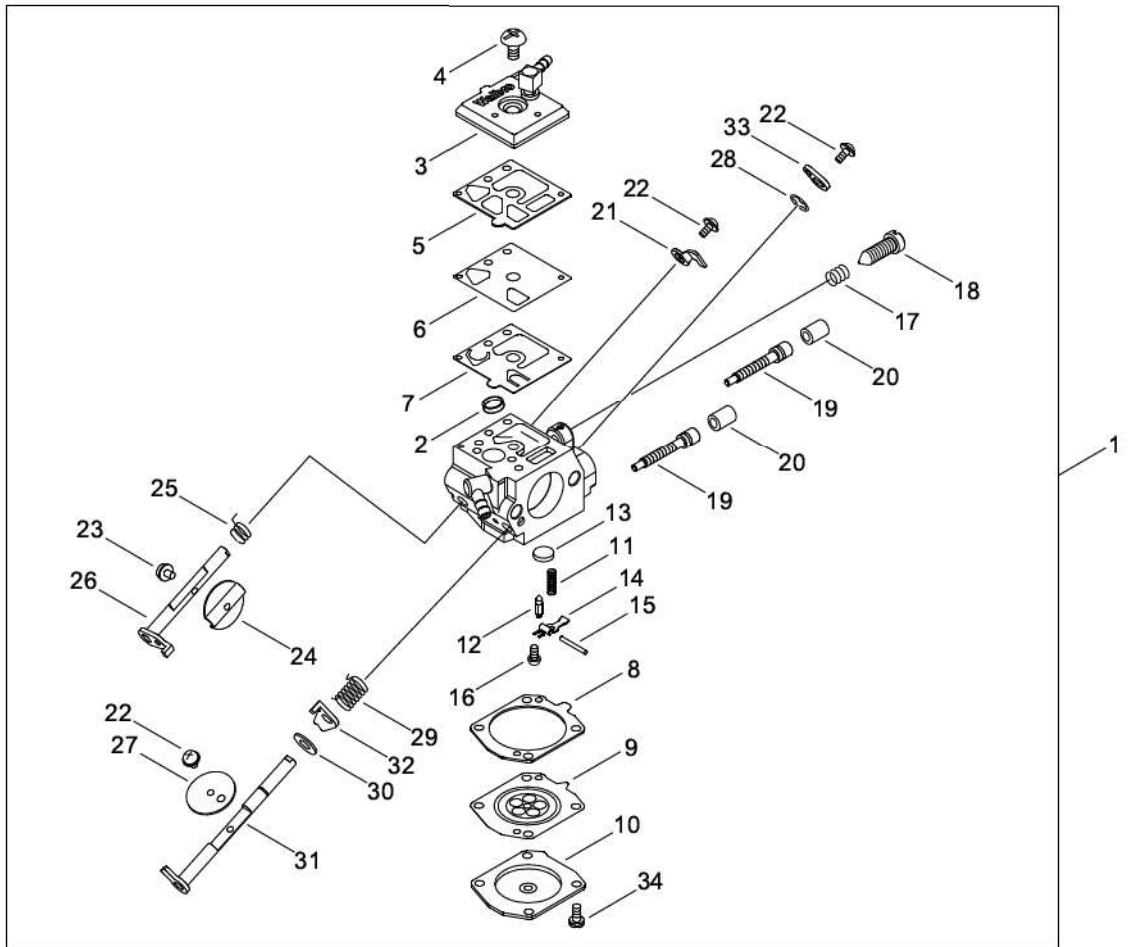
AIR CLEANER, CARBURETOR

Key No.	LV (+)	Parts Number	Parts Description	Qty	Standard	Class
1		A202-000280	BELLOWS, INTAKE	1		C
2		A239-000100	PIPE, INTAKE	1		C
3		V495-002480	BAND	1		C
4		V360-000120	SLEEVE	1		C
5		A200-001111	INSULATOR, INTAKE	1		C
6		A203-000070	SEAL	1		C
7		V203-002230	BOLT,5	2	M5X15SLPW	C
8		A163-000050	STAY,COVER	1		C
9		V203-000631	BOLT,5	3	M5X25 WSW	C
10		E616-000060	CASE,FILTER	1		D
11		A021-004950	CARBURETOR,DIAPHRAGM	1	WALBRO HDA-344	B
12		V470-001640	PULSE PIPE	1		C
13		P021-052670	AIR FILTER SET	1		
14		A232-001990	LID,CLEANER	1		C
15		V252-000630	SCREW HILO	6		C
16		A228-000080	SEAL, CLEANER	1		A
17		A228-000070	SEAL, CLEANER	1		A
18		A232-001980	LID,CLEANER	1		C
19		V252-000630	SCREW HILO	4		C
20		A203-000060	SEAL	1		C
21		P100-001411	CARBURETOR,ELBOW ASY	1		
22		V103-001270	GASKET,INTAKE	1	AF70 T0.5	A
23		V471-002800	PIPE	1		C
24		900105-05060	BOLT, H.S. 5*60	2	5*60	
25		900605-00005	WASHER, SPRING 5	2	5	
26		900600-00005	WASHER 5	2	5	
27		V203-002230	BOLT,5	1	M5X15SLPW	C
28		A160-003620	COVER,CYLINDER	1		C
29		V253-000850	SCREW TAPPING	1		C
30		900603-00005	WASHER 5	1	5.5*12*0.8	
31		V353-000740	COLLAR,5	1	5.1X6.3XL15	C
32		V450-002280	SPRING,COMPRESSION	1		B
33		A607-000040	ROD,PUSH	1		C
34		V203-002240	BOLT,5	4	M5X30 SPW	C
35		V141-000160	GROMMET,PLUG	3		B
36		V141-000170	GROMMET,PLUG	1		B
37		X505-010770	LABEL,CAUTION	1	CAUTION MARK	D
38		X524-007160	LABEL	1		D
39		X524-007060	LABEL	1	4-STAGE CLEANER	D
40		X510-001050	LABEL,SWITCH	1		D
41		X505-000001	LABEL,CAUTION	1		D

Class : Consumable class

A:Fast moving parts B:Semi-fast moving parts C:Slow moving parts D:Order only as needed

CARBURETOR



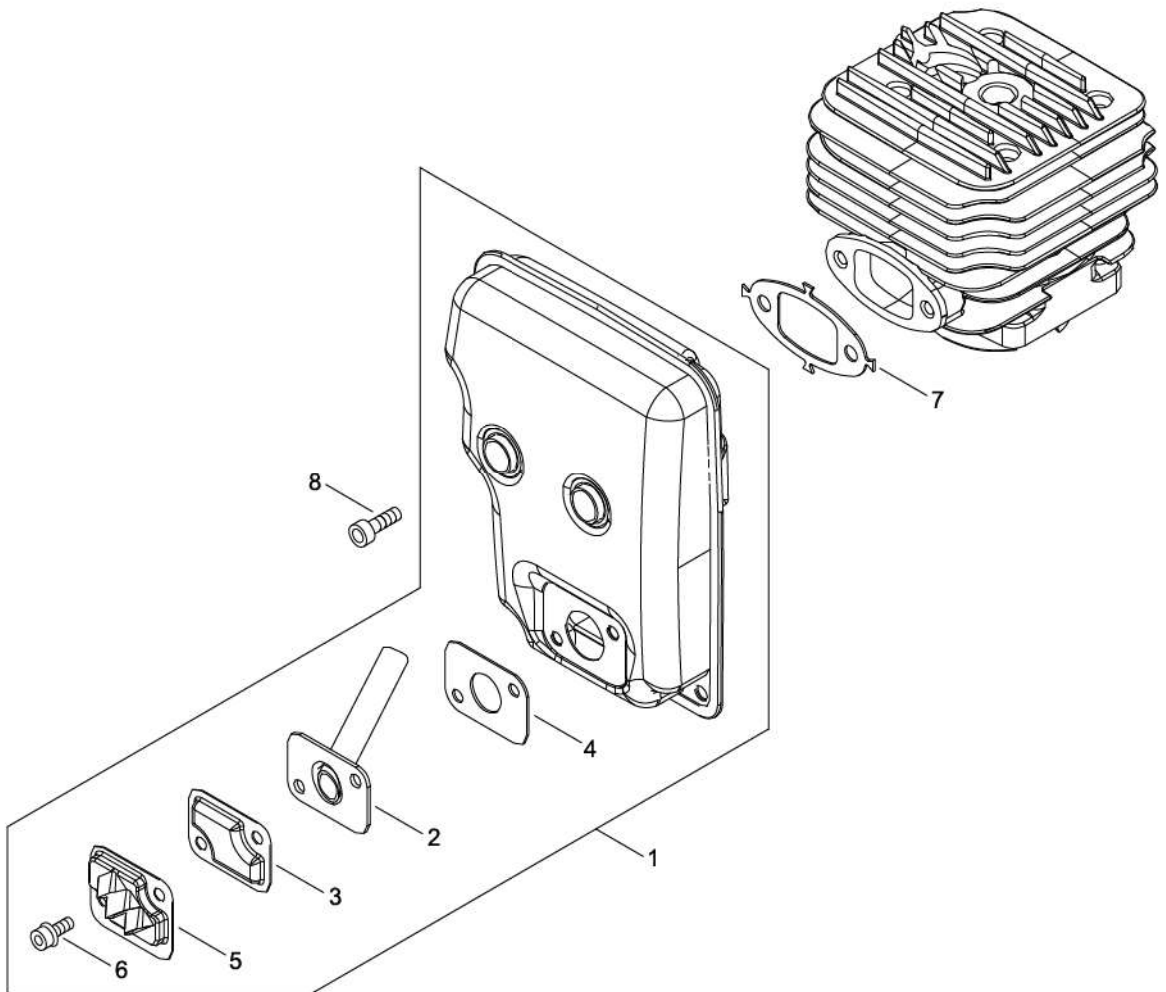
CARBURETOR

Key No.	LV (+)	Parts Number	Parts Description	Qty	Standard	Class
1		A021-004950	CARBURETOR,DIAPHRAGM	1	WALBRO HDA-344	B
2	+	123126-10631	SCREEN, INLET	1		
3	+	P003-006150	PUMP COVER ASY	1		
4	+	123110-16130	SCREW, PUMP COVER	1		
5	+	123125-12330	GASKET, FUEL PUMP	1		
6	+	P003-003150	DIAPHRAGM PUMP	1	汎	
7	+	P003-006090	DIAPHRAGM, FUEL PUMP	1		
8	+	123140-16130	GASKET, M. DIAPHRAGM	1		
9	+	P003-004920	DIAPHRAGM ASSY	1	95-649	
10	+	P003-003300	COVER DIAPHRAGM	1		
11	+	123122-16131	SPRING, METER. LEVER	1		
12	+	123137-19830	VALVE, INLET NEEDLE	1		
13	+	123146-10631	PLUG, WELCH	1		
14	+	123123-18330	LEVER, METERING	1		
15	+	123138-03930	PIN, METERING LEVER	1		
16	+	P003-005400	SCREW	1		
17	+	123133-04260	SPRING, IDLE ADJUST	1		
18	+	P003-003650	IDEL SCREW	1		
19	+	P003-006230	NEEDLE	2		D
20	+	P003-000010	LIMITER CAP	2		
21	+	123156-30830	STOP, THROTTLE	1		
22	+	123114-38830	SCREW	3		
23	+	P003-002380	SCREW	1		
24	+	123132-16130	VALVE, CHOKE	1		
25	+	P003-000560	SPRING, THRT. RETURN	1		
26	+	P003-003320	SHAFT ASSY	1		
27	+	P003-006170	VALVE, CHOKE	1		
28	+	123127-15030	RING	1		
29	+	P003-000610	SPRING	1		
30	+	123149-26030	WASHER	1		
31	+	P003-003340	SHAFT ASSY	1		
32	+	P003-000620	LEVER-FAST IDLE	1		
33	+	P003-003020	LEVER	1		
34	+	123130-02960	SCREW	4		

Class : Consumable class

A:Fast moving parts B:Semi-fast moving parts C:Slow moving parts D:Order only as needed

MUFFLER



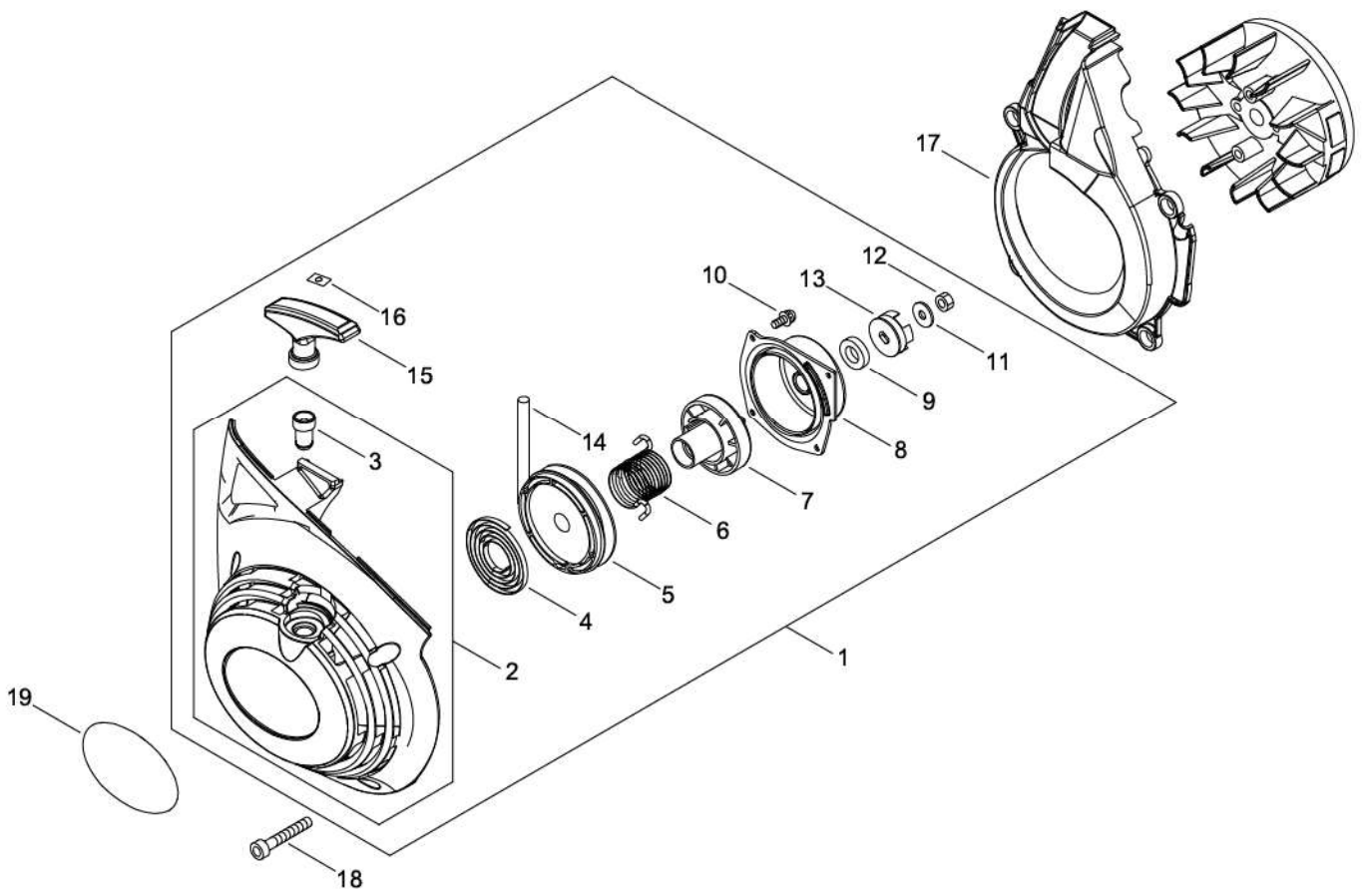
MUFFLER

Key No.	LV (+)	Parts Number	Parts Description	Qty	Standard	Class
1		P021-052680	MUFFLER ASY	1		
2	+	A312-000130	PLATE, EXHUST	1		C
3	+	A310-000530	SCREEN, ARRESTOR	1		B
4	+	V104-002260	GASKET,EXHAUST	1		A
5	+	A313-002100	GUIDE, EXHAUST	1	T0.6 ID#2620	C
6	+	91121-05010	BOLT HSH, FLANGE	2	5*10	
7		V104-002270	GASKET,EXHAUST	1		A
8		900105-06018	BOLT HSH	4	6*18	

Class : Consumable class

A:Fast moving parts B:Semi-fast moving parts C:Slow moving parts D:Order only as needed

RECOIL STARTER



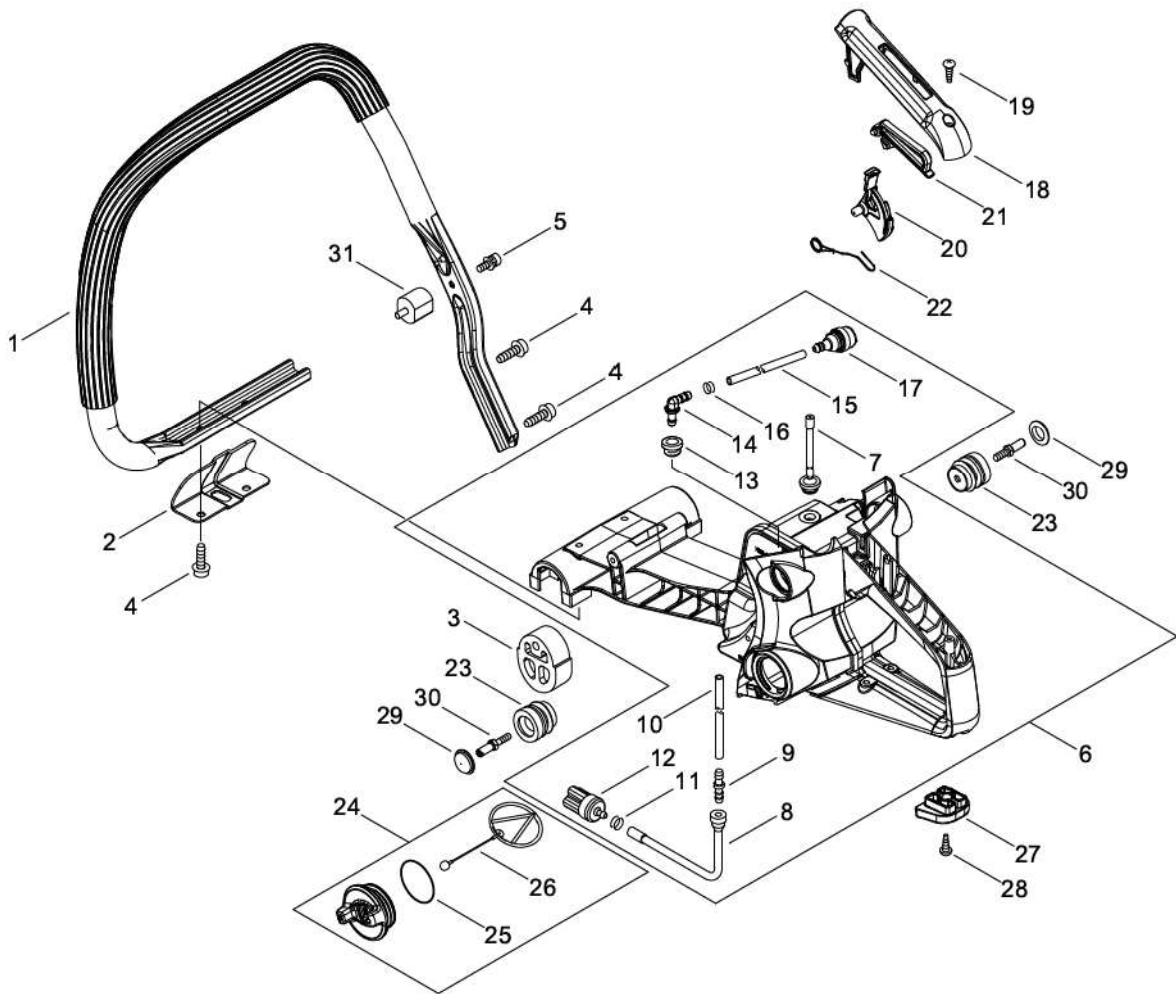
RECOIL STARTER

Key No.	LV (+)	Parts Number	Parts Description	Qty	Standard	Class
1		A051-003420	STARTER,RECOIL	1		B
2	+	P022-053020	STARTER,RECOIL	1		
3	++	P022-039940	GUIDE, ROPE	1		
4	+	P022-004680	SPRING, SPIRAL	1		
5	+	A506-000420	REEL	1		C
6	+	V452-001010	COIL SPRINNG	1		B
7	+	A501-000030	SHAFT	1		C
8	+	A519-000040	COVER	1		C
9	+	V505-000150	OIL SEAL	1		C
10	+	P022-019940	SCREW TAPPING	4	W,SW	
11	+	V304-000310	WASHER	1		C
12	+	900500-00006	NUT 6	1	6	
13	+	P022-039950	CATCHER, PAWL	1		
14	+	A509-000410	ROPE	1		B
15	+	A511-000210	KNOB RECOIL	1		C
16	+	P022-037670	STOPPER, ROPE	1		
17		A172-002970	COVER,FAN	1		C
18		V203-002240	BOLT,5	4	M5X30 SPW	C
19		X504-008380	LABEL,BRAND	1		D

Class : Consumable class

A:Fast moving parts B:Semi-fast moving parts C:Slow moving parts D:Order only as needed

HANDLE



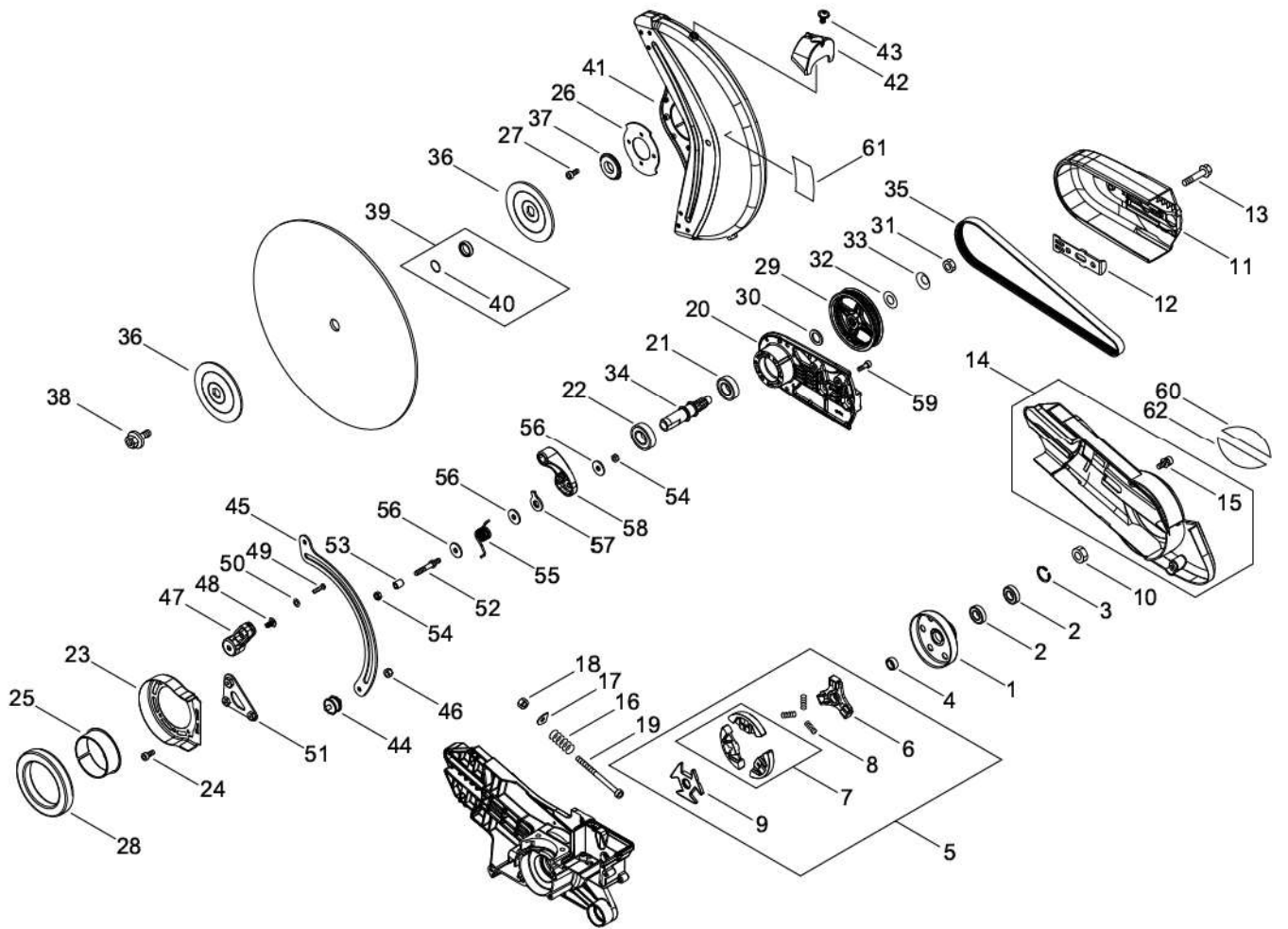
HANDLE

Key No.	LV (+)	Parts Number	Parts Description	Qty	Standard	Class
1		C400-001511	HANDLE, FRONT	1		C
2		J447-001300	GUARD	1		
3		V420-005030	CUSHION	2		B
4		V204-001290	BOLT,6	4		C
5		V203-002230	BOLT,5	1	M5X15SLPW	C
6		P100-006970	HANDLE ASY, REAR	1		
7	+	V470-002131	PIPE	1	7°パイPOUT側	C
8	+	V470-001990	PIPE	1		C
9	+	V186-000510	JOINT,PIPE	1		C
10	+	V471-003970	PIPE	1		C
11	+	V490-000500	CLIP	1		C
12	+	A369-000540	STRAINER, FUEL	1		A
13	+	V137-000131	GROMMET,FUEL	1	(株)岡山	C
14	+	V186-000530	JOINT,PIPE	1		C
15	+	V471-005400	PIPE	1	5*L255	C
16	+	V490-000580	CLIP	1		C
17	+	A356-000190	VALVE, CHECK	1		B
18		C411-000240	LID,HANDLE	1		C
19		V252-000800	SCREW HILO	1		C
20		C450-000630	THROTTLE LEVER	1		C
21		C460-000301	LOCKOUT, THROTTLE	1		C
22		V452-001620	SPRING,TORSION	1		B
23		V401-000350	CUSHION 27	2		B
24		P100-006351	CAP,FUEL ASY	1		
25	+	V581-000600	RING,O	1	P29	A
26	+	A365-000050	CONNECTOR,CAP	1		B
27		V420-005040	CUSHION	1		B
28		V252-000800	SCREW HILO	1		C
29		V421-000050	PLUG 27	2		C
30		V203-001660	STOPPER BOLT 26	2		C
31		V401-000220	CUSHION	1		B

Class : Consumable class

A:Fast moving parts B:Semi-fast moving parts C:Slow moving parts D:Order only as needed

CLUTCH, ARM COVER



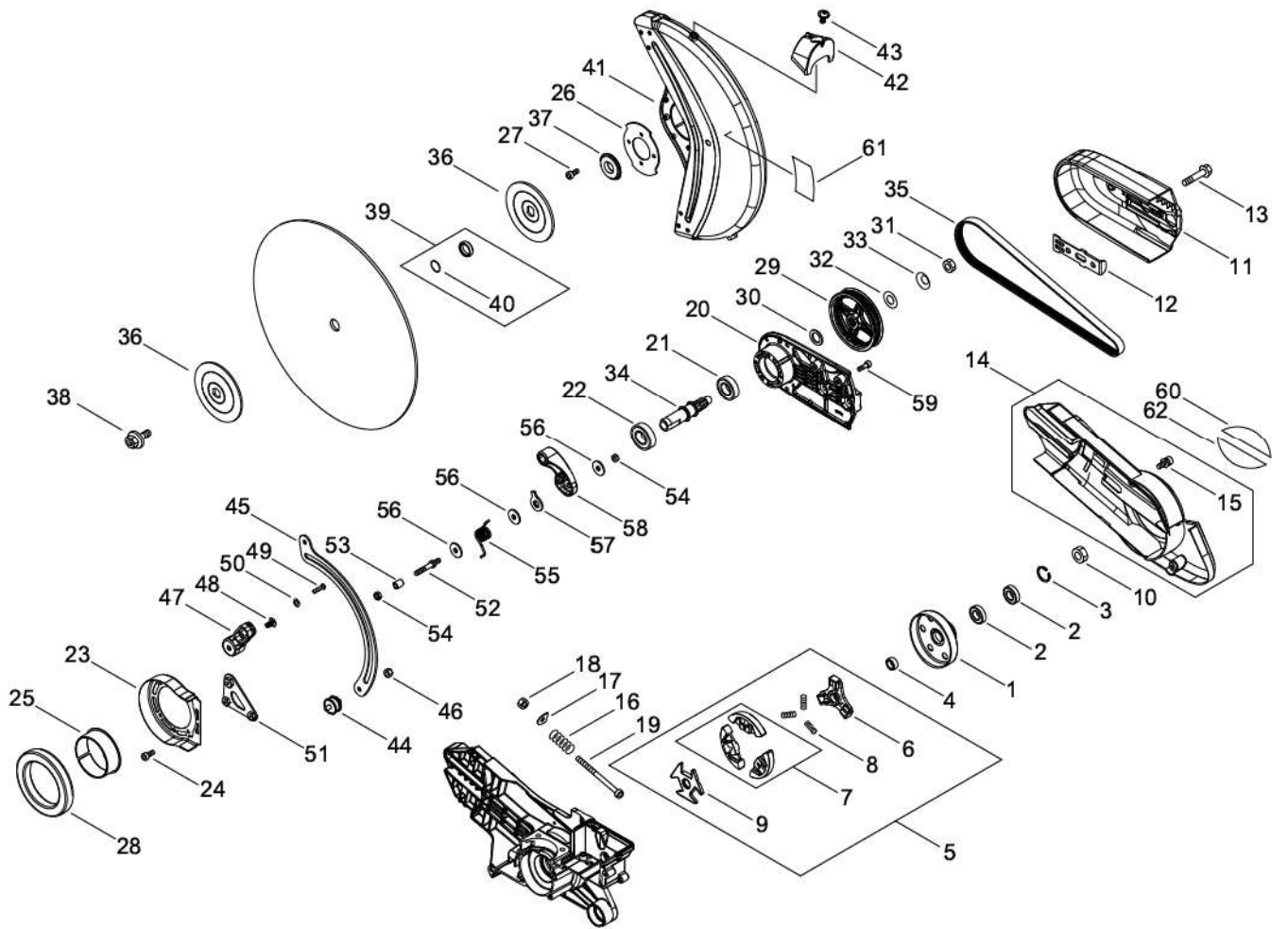
CLUTCH, ARM COVER

Key No.	LV (+)	Parts Number	Parts Description	Qty	Standard	Class
1		A556-001690	DRUM, CLUTCH	1		B
2		V592-000440	BEARING, BALL	2	6901LLH C3/L448	C
3		92419-24000	RETAINING RING, INTERNAL	1	IRTW-24	
4		V357-000390	COLLAR,12	1		C
5		A056-000850	CLUTCH ASY	1		B
6	+	A552-000480	HUB, CLUTCH	1		B
7	+	P021-052700	CLUTCH SHOE SET	1		
8	+	A566-000210	CLUTCH SPRING	3		B
9	+	A552-000300	CLUTCH BOSS B	1		B
10		V265-000560	NUT,8	1		C
11		C361-000380	COVER,CUTTER ARM	1		C
12		V150-004052	PLATE,EYE	1		C
13		V205-001231	BOLT,8	2		C
14		P100-006980	COVER,CUTTER ARM KIT	1		
15	+	V203-002350	BOLT,5	2	M5X25 SPW	C
16		V450-001240	COIL SPRING	1		B
17		V304-000290	WASHER	1		C
18		V264-000190	NUT	1		C
19		V204-001680	BOLT,6	1	M6X90	C
20		P100-001210	CASE,ASY BEARING	1		
21		900812-06202	BEARING, BALL	1	6202LLU(DDU)	
22		900812-06203	BEARING, BALL	1	6203LLU(DDU)	
23		C235-000070	CASE,SPRING	1		D
24		V203-002210	BOLT,5	4		C
25		V583-000210	SLIDE RING	1		C
26		C371-000160	PLATE,CUTTER COVER	1		C
27		V203-002210	BOLT,5	4		C
28		V583-000470	RING	1		C
29		V176-000281	PULLEY	1		C
30		V310-000130	WASHER,CIRCULAR 14	1		C
31		900502-00010	NUT	1	10	
32		V308-000120	WASHER,CIRCULAR 11	1		C
33		V347-000060	WASHER,CONICAL	1	SW-10 1H	C
34		C504-001260	SHAFT, DRIVE	1		C
35		V196-000120	DRIVE BELT	1	6PJ808	B
36		C365-000430	FLANGE, CUTTER	2		C
37		V360-000320	COLLAR,18	1		C
38		P100-001640	BOLT ASY	1		
39		P021-035070	COLLAR SET	1	20MM	
40	+	V582-000210	SNAP RING	1		C
41		P100-006930	COVER,CUTTER ASY	1		
42		M613-000310	KNOB	1		D
43		V204-001820	BOLT,6	1	M6X12	C
44		V402-000110	CUSHION,6	2		B

Class : Consumable class

A:Fast moving parts B:Semi-fast moving parts C:Slow moving parts D:Order only as needed

CLUTCH, ARM COVER



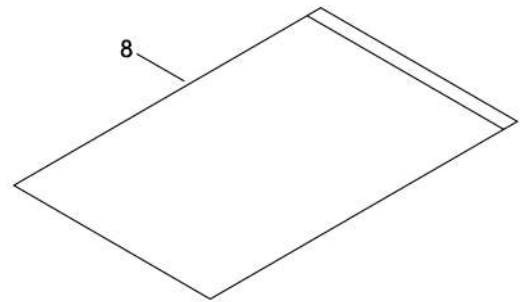
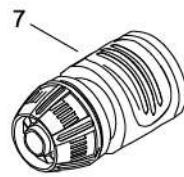
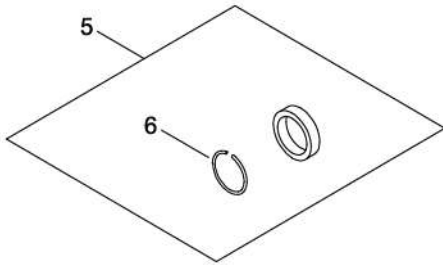
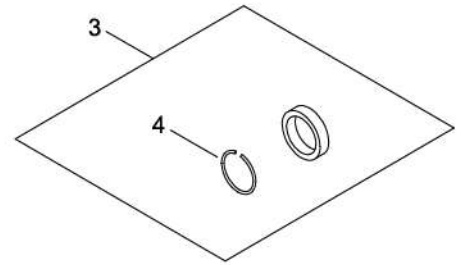
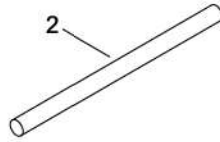
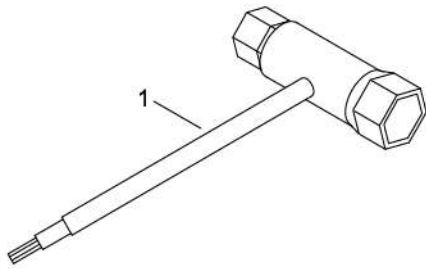
CLUTCH, ARM COVER

Key No.	LV (+)	Parts Number	Parts Description	Qty	Standard	Class
45		C371-000050	SLIDE PLATE	1		C
46		900561-00006	NUT, LOCK	2	6	
47		C442-000100	STOPPER, HAND GUARD	1		C
48		V204-001820	BOLT,6	1	M6X12	C
49		900256-04016	SCREW, TAPPING	1	4*16	
50		92204-04000	WASHER	1	4	
51		C371-000170	PLATE,CUTTER COVER	1		C
52		V204-001810	BOLT,6	1		C
53		V354-000080	COLLAR,6	1	6.2*10*12	C
54		900561-00006	NUT, LOCK	2	6	
55		V452-001820	SPRING,TORSION	1		B
56		V304-000320	COLLAR	3		C
57		M613-000320	KNOB	1		D
58		E151-000030	KNOB,LEVER	1		C
59		V203-002210	BOLT,5	2		C
60		X504-008390	LABEL,BRAND	1		D
61		X505-010780	LABEL,CAUTION	1		D
62		X543-005390	LABEL,MODEL	1	EC741S	D

Class : Consumable class

A:Fast moving parts B:Semi-fast moving parts C:Slow moving parts D:Order only as needed

ACCESSORIES



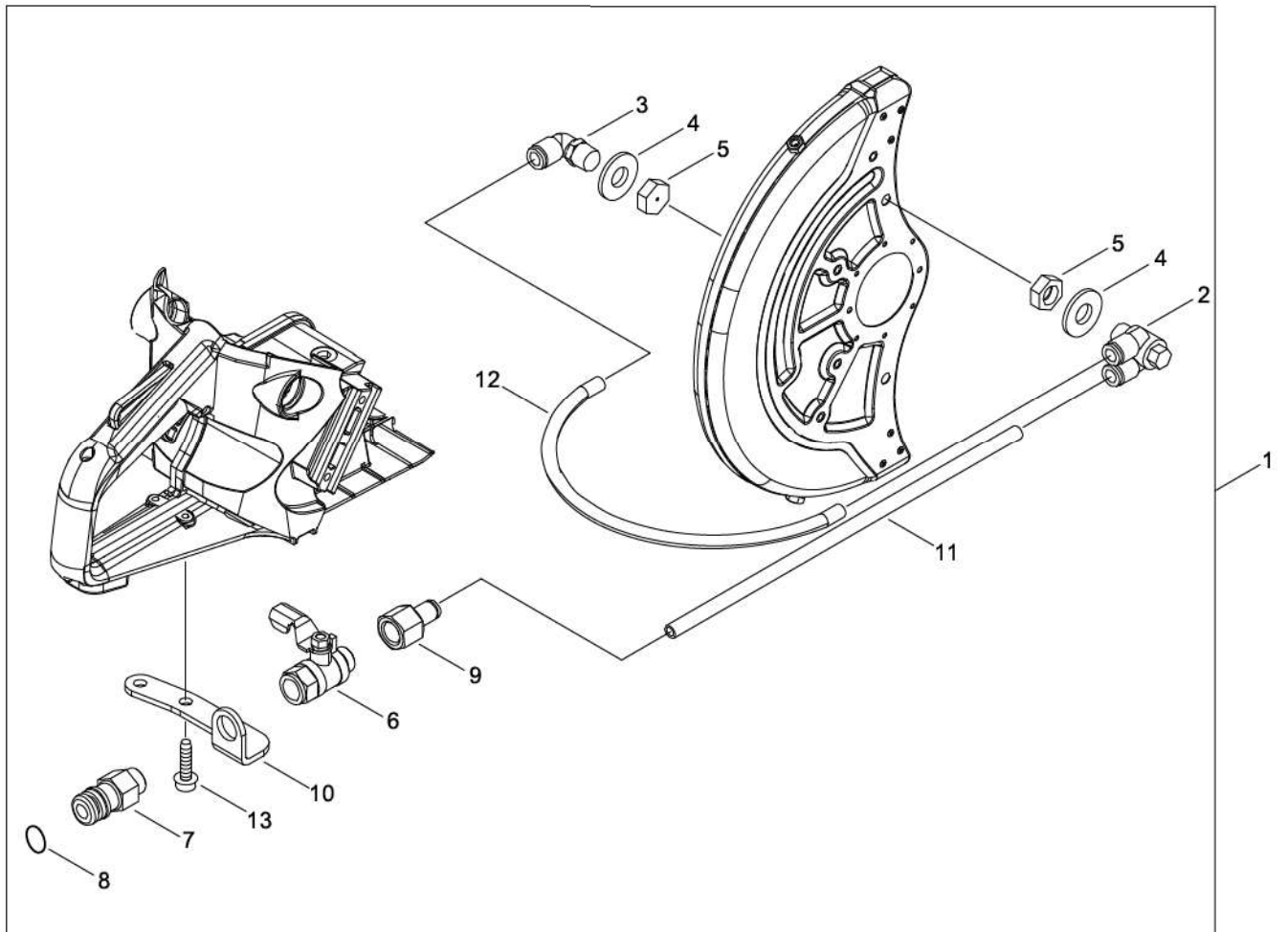
ACCESSORIES

Key No.	LV (+)	Parts Number	Parts Description	Qty	Standard	Class
1		X602-000410	TOOL,WRENCH	1	13X19MM	D
2		X606-000080	TOOL,BAR	1	5*120	D
3		P021-025860	COLLAR SET	1	22MM	
4	+	V582-000210	SNAP RING	1		C
5		P021-034830	COLLAR SET	1	25.4MM	
6	+	V582-000210	SNAP RING	1		C
7		V700-000151	COUPLER	1	18213-50	C
8		X705-000220	TOOL BAG	1		

Class : Consumable class

A:Fast moving parts B:Semi-fast moving parts C:Slow moving parts D:Order only as needed

WATER SYSTEM KIT



WATER SYSTEM KIT

Key No.	LV (+)	Parts Number	Parts Description	Qty	Standard	Class
1		P100-006940	WATER SYSTEM,KIT	1		
2	+	A373-000240	CONNECTOR, PIPE	1	KQ2Z06-01NS-X35	C
3	+	A373-000250	CONNECTOR, PIPE	1	KQ2L06-01NS-X35	C
4	+	100146-00310	WASHER (C-R)	2		C
5	+	M652-000070	NUT	2		D
6	+	E245-000190	COCK,LIQUID	1	8.5MM	C
7	+	A373-000270	CONNECTOR, PIPE	1		C
8	+	V581-000320	O RING	1		A
9	+	A373-000260	CONNECTOR, PIPE	1	KQ2F06-G02N	C
10	+	E258-000160	BRACKET,COCK	1	3.2T	C
11	+	V471-005380	PIPE	1		C
12	+	V471-005390	PIPE	1		C
13	+	V204-001290	BOLT,6	2		C

Class : Consumable class

A:Fast moving parts B:Semi-fast moving parts C:Slow moving parts D:Order only as needed

NUMERICAL PARTS INDEX

Part No	Part description	Page	Part No	Part description	Page	Part No	Part description	Page
100146-00310	WASHER (C-R)	24	A160-003620	COVER,CYLINDER	8	C400-001511	HANDLE, FRONT	16
123110-16130	SCREW, PUMP COVER	10	A163-000050	STAY,COVER	8	C411-000240	LID,HANDLE	16
123114-38830	SCREW	10	A172-002970	COVER,FAN	14	C442-000100	STOPPER, HAND GUARD	20
123122-16131	SPRING, METER. LEVER	10	A200-001111	INSULATOR, INTAKE	8	C450-000630	THROTTLE LEVER	16
123123-18330	LEVER, METERING	10	A202-000280	BELLOWS, INTAKE	8	C454-000530	ROD, THROTTLE	4
123125-12330	GASKET, FUEL PUMP	10	A203-000060	SEAL	8	C460-000301	LOCKOUT, THROTTLE	16
123126-10631	SCREEN, INLET	10	A203-000070	SEAL	8	C504-001260	SHAFT, DRIVE	18
123127-15030	RING	10	A228-000070	SEAL, CLEANER	8	E151-000030	KNOB,LEVER	20
123130-02960	SCREW	10	A228-000080	SEAL, CLEANER	8	E245-000190	COCK,LIQUID	24
123132-16130	VALVE, CHOKE	10	A232-001980	LID,CLEANER	8	E258-000160	BRACKET,COCK	24
123133-04260	SPRING, IDLE ADJUST	10	A232-001990	LID,CLEANER	8	E616-000060	CASE,FILTER	8
123137-19830	VALVE, INLET NEEDLE	10	A239-000100	PIPE, INTAKE	8	J447-001300	GUARD	16
123138-03930	PIN, METERING LEVER	10	A240-000181	ROD, CHOKE	4	M613-000310	KNOB	18
123140-16130	GASKET, M. DIAPHRAGM	10	A310-000530	SCREEN, ARRESTOR	12	M613-000320	KNOB	20
123146-10631	PLUG, WELCH	10	A312-000130	PLATE, EXHUST	12	M652-000070	NUT	24
123149-26030	WASHER	10	A313-002100	GUIDE, EXHAUST	12	P003-000010	LIMITER CAP	10
123156-30830	STOP, THROTTLE	10	A356-000190	VALVE, CHECK	16	P003-000560	SPRING, THRT. RETURN	10
159010-10230	PLUG, SPARK (BPMR-7A	6	A365-000050	CONNECTOR,CAP	16	P003-000610	SPRING	10
900105-05060	BOLT, H.S. 5*60	8	A369-000540	STRAINER, FUEL	16	P003-000620	LEVER-FAST IDLE	10
900105-06018	BOLT HSH	12	A373-000240	CONNECTOR, PIPE	24	P003-002380	SCREW	10
900256-04016	SCREW, TAPPING	20	A373-000250	CONNECTOR, PIPE	24	P003-003020	LEVER	10
900500-00006	NUT 6	14	A373-000260	CONNECTOR, PIPE	24	P003-003150	DIAPHRAGM PUMP	10
900502-00010	NUT	18	A373-000270	CONNECTOR, PIPE	24	P003-003300	COVER DIAPHRAGM	10
900561-00006	NUT, LOCK	20	A409-001041	ROTOR,MAGNETO	6	P003-003320	SHAFT ASSY	10
900600-00005	WASHER 5	8	A411-001820	COIL, IGNITION	6	P003-003340	SHAFT ASSY	10
900603-00005	WASHER 5	8	A426-000010	TERMINAL,SPARKPLUG	6	P003-003650	IDEL SCREW	10
900605-00005	WASHER, SPRING 5	8	A427-000200	CAP,SPARK PLUG	6	P003-004920	DIAPHRAGM ASSY	10
900810-36202	BEARING, BALL	4	A440-001670	SWITCH	4	P003-005400	SCREW	10
900812-06202	BEARING, BALL	18	A501-000030	SHAFT	14	P003-006090	DIAPHRAGM, FUEL PUMP	10
900812-06203	BEARING, BALL	18	A506-000420	REEL	14	P003-006150	PUMP COVER ASY	10
91121-05010	BOLT HSH, FLANGE	12	A509-000410	ROPE	14	P003-006170	VALVE, CHOKE	10
92204-04000	WASHER	20	A511-000210	KNOB RECOIL	14	P003-006230	NEEDLE	10
92419-24000	RETAINING RING, INTERNAL	18	A514-000240	RATCHET	6	P021-025860	COLLAR SET	22
93115-03010	KEY, WOODRUFF	6	A519-000040	COVER	14	P021-034830	COLLAR SET	22
94000-36203	BEARING, BALL	4	A552-000300	CLUTCH BOSS B	18	P021-035070	COLLAR SET	18
A011-001430	CRANKSHAFT,ASY	2	A552-000480	HUB, CLUTCH	18	P021-052650	PISTON KIT	2
A014-000130	RELEASE ASY., COMP.	2	A556-001690	DRUM, CLUTCH	18	P021-052670	AIR FILTER SET	8
A021-004950	CARBURETOR, DIAPHRAGM	8	A566-000210	CLUTCH SPRING	18	P021-052680	MUFFLER ASY	12
A021-004950	CARBURETOR, DIAPHRAGM	10	A607-000040	ROD,PUSH	8	P021-052700	CLUTCH SHOE SET	18
A035-000040	PUMP, FUEL	4	C235-000070	CASE,SPRING	18	P022-004680	SPRING, SPIRAL	14
A051-003420	STARTER,RECOIL	14	C361-000380	COVER,CUTTER ARM	18	P022-019940	SCREW TAPPING	14
A056-000850	CLUTCH ASY	18	C365-000430	FLANGE, CUTTER	18	P022-037670	STOPPER, ROPE	14
A101-000570	RING,PISTON	2	C371-000050	SLIDE PLATE	20	P022-039940	GUIDE, ROPE	14
A130-002360	CYLINDER	2	C371-000160	PLATE,CUTTER COVER	18	P022-039950	CATCHER, PAWL	14
			C371-000170	PLATE,CUTTER COVER	20			

NUMERICAL PARTS INDEX

Part No	Part description	Page	Part No	Part description	Page	Part No	Part description	Page
P022-053020	STARTER,RECOIL	14	V204-001820	BOLT,6	18	V475-008680	TUBE	6
P100-001170	CRANKCASE SET	4	V204-001820	BOLT,6	20	V485-002820	LEAD	6
P100-001210	CASE,ASY BEARING	18	V205-001231	BOLT,8	18	V490-000500	CLIP	16
P100-001411	CARBURETOR,ELBOW ASY	8	V252-000630	SCREW HILO	8	V490-000580	CLIP	16
P100-001640	BOLT ASY	18	V252-000800	SCREW HILO	16	V494-000330	CAP	4
P100-006351	CAP,FUEL ASY	16	V253-000850	SCREW TAPPING	8	V495-002480	BAND	8
P100-006930	COVER,CUTTER ASY	18	V264-000190	NUT	18	V505-000150	OIL SEAL	14
P100-006940	WATER SYSTEM,KIT	24	V265-000220	NUT	6	V508-000080	OIL SEAL	4
P100-006970	HANDLE ASY, REAR	16	V265-000560	NUT,8	18	V510-000030	OIL SEAL	4
P100-006980	COVER,CUTTER ARM KIT	18	V304-000290	WASHER	18	V557-000030	BEARING,NEEDLE	2
V100-000580	GASKET	2	V304-000300	COLLAR	6	V580-000060	SNAP RING	2
V102-000280	GASKET,CRANKCASE	4	V304-000310	WASHER	14	V581-000320	O RING	24
V103-001270	GASKET,INTAKE	8	V304-000320	COLLAR	20	V581-000600	RING,O	16
V104-002260	GASKET,EXHAUST	12	V308-000120	WASHER,CIRCULAR 11	18	V582-000210	SNAP RING	18
V104-002270	GASKET,EXHAUST	12	V310-000130	WASHER,CIRCULAR 14	18	V582-000210	SNAP RING	22
V130-000160	GROMMET CHOKE	4	V347-000060	WASHER,CONICAL	18	V583-000210	SLIDE RING	18
V131-000240	GROMMET,NEEDLE	4	V353-000740	COLLAR,5	8	V583-000470	RING	18
V133-000040	GROMMET	4	V354-000080	COLLAR,6	20	V592-000440	BEARING, BALL	18
V137-000131	GROMMET,FUEL	16	V357-000390	COLLAR,12	18	V610-000010	PISTON PIN	2
V141-000160	GROMMET,PLUG	8	V360-000120	SLEEVE	8	V700-000151	COUPLER	22
V141-000170	GROMMET,PLUG	8	V360-000320	COLLAR,18	18	X504-008380	LABEL,BRAND	14
V150-004052	PLATE,EYE	18	V401-000220	CUSHION	16	X504-008390	LABEL,BRAND	20
V176-000281	PULLEY	18	V401-000350	CUSHION 27	4	X505-000001	LABEL,CAUTION	8
V186-000510	JOINT,PIPE	16	V401-000350	CUSHION 27	16	X505-010770	LABEL,CAUTION	8
V186-000530	JOINT,PIPE	16	V401-000430	CUSHION 26	4	X505-010780	LABEL,CAUTION	20
V196-000120	DRIVE BELT	18	V402-000110	CUSHION,6	18	X510-001050	LABEL,SWITCH	8
V203-000631	BOLT,5	8	V420-005030	CUSHION	16	X524-007060	LABEL	8
V203-001650	STOPPER BOLT	4	V420-005040	CUSHION	16	X524-007160	LABEL	8
V203-001660	STOPPER BOLT 26	16	V421-000050	PLUG 27	4	X543-005390	LABEL,MODEL	20
V203-002210	BOLT,5	6	V421-000050	PLUG 27	16	X602-000410	TOOL,WRENCH	22
V203-002210	BOLT,5	18	V450-001240	COIL SPRING	18	X606-000080	TOOL,BAR	22
V203-002210	BOLT,5	20	V450-002280	SPRING,COMPRESSION	8	X705-000220	TOOL BAG	22
V203-002220	BOLT,5	4	V452-000990	COIL SPRING	6			
V203-002230	BOLT,5	8	V452-001010	COIL SPRING	14			
V203-002230	BOLT,5	16	V452-001620	SPRING,TORSION	16			
V203-002240	BOLT,5	8	V452-001820	SPRING,TORSION	20			
V203-002240	BOLT,5	14	V470-001640	PULSE PIPE	8			
V203-002350	BOLT,5	18	V470-001650	PIPE	4			
V204-000690	BOLT	2	V470-001990	PIPE	16			
V204-000720	BOLT	6	V470-002131	PIPE	16			
V204-001290	BOLT,6	16	V471-002800	PIPE	8			
V204-001290	BOLT,6	24	V471-003970	PIPE	16			
V204-001680	BOLT,6	18	V471-005380	PIPE	24			
V204-001810	BOLT,6	20	V471-005390	PIPE	24			
			V471-005400	PIPE	16			