

shindaiwa[®]

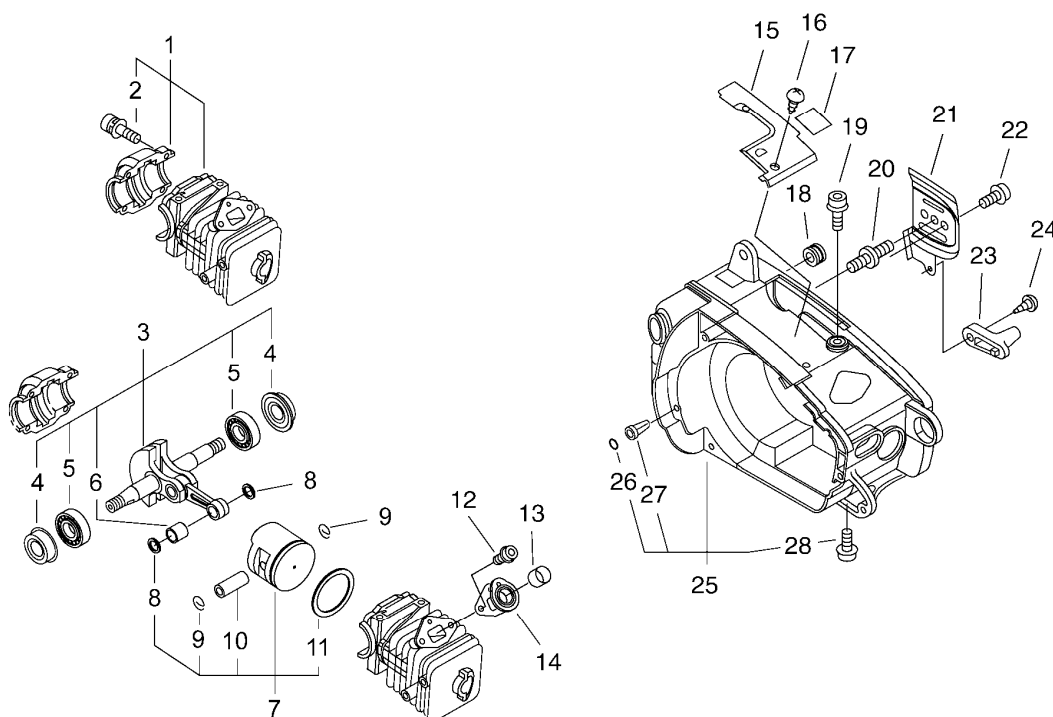
PARTS CATALOG

TOP HANDLE SAW 269TS(36)

36005301 -

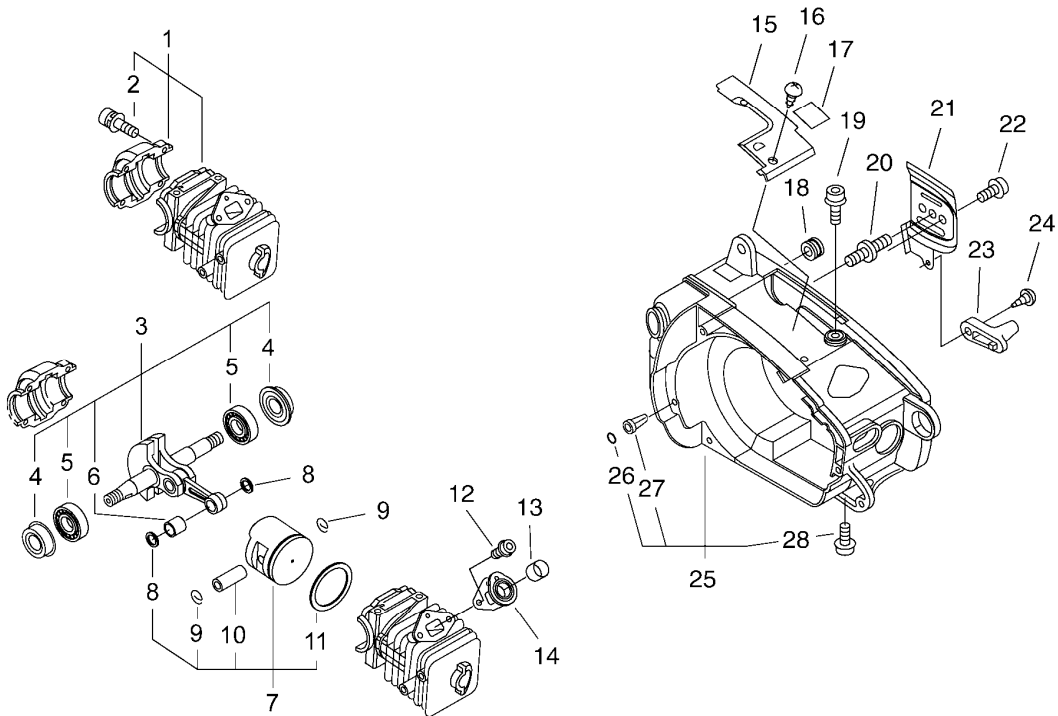
P016-000430-11Fb

1. CYLINDER, CRANKCASE, PISTON



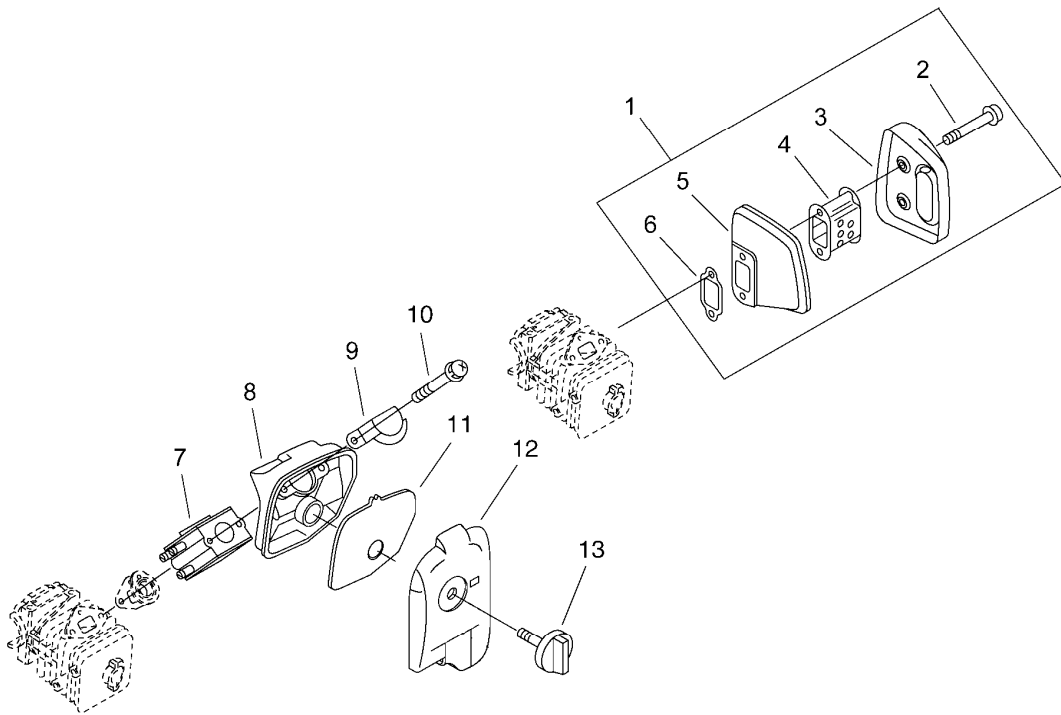
KEY	LV	PART NUMBER	Q'TY	DESCRIPTION	REMARKS	NOTE1	NOTE2
1		P021-011230	1	CRANKCASE SET			
2	+	900162-05022	4	BOLT, H.S. 5*22	5*22 W,SW		
3		P021-011221	1	CRANKSHAFT ASY			
4	+	V505-000000	2	SEAL,OIL	12*28*5.5		
5	+	900800-36001	2	BEARING, BALL 6001	6001/C3		
6	+	V553-000020	1	BEARING,NEEDLE 8	KBK8X11X8.8X4		
7		P021-002150	1	PISTON KIT			
8	+	100014-55930	2	SPACER, PISTON PIN			
9	+	100015-04630	2	CIRCLIP, PISTON PIN			
10	+	100013-22330	1	PIN, PISTON			
11	+	100011-05731	1	RING, PISTON			
12		900162-04012	2	BOLT, H.S. 4*12	4*12 W,SW		
13		V358-000021	1	COLLAR,14			
14		A202-000001	1	BELLOWS,INTAKE			
15		A127-000041	1	COVER,DUST			
16		900253-04012	2	SCREW	4*12		
17		X505-002440	1	LABEL,CAUTION			
18		163911-30130	1	PLUG			
19		900106-05016	2	BOLT, H.S. 5*16	5*16		
20		V225-000030	1	BOLT,STUD 8			
21		C305-000023	1	PLATE,SPROCKET GUARD			
22		V202-000011	2	BOLT,4	4*12		
23		433026-35430	1	CATCHER, CHAIN			
24		900253-05020	1	SCREW 5*20	5*20		
25		P021-003417	1	COVER ENGINE			

1. CYLINDER, CRANKCASE, PISTON



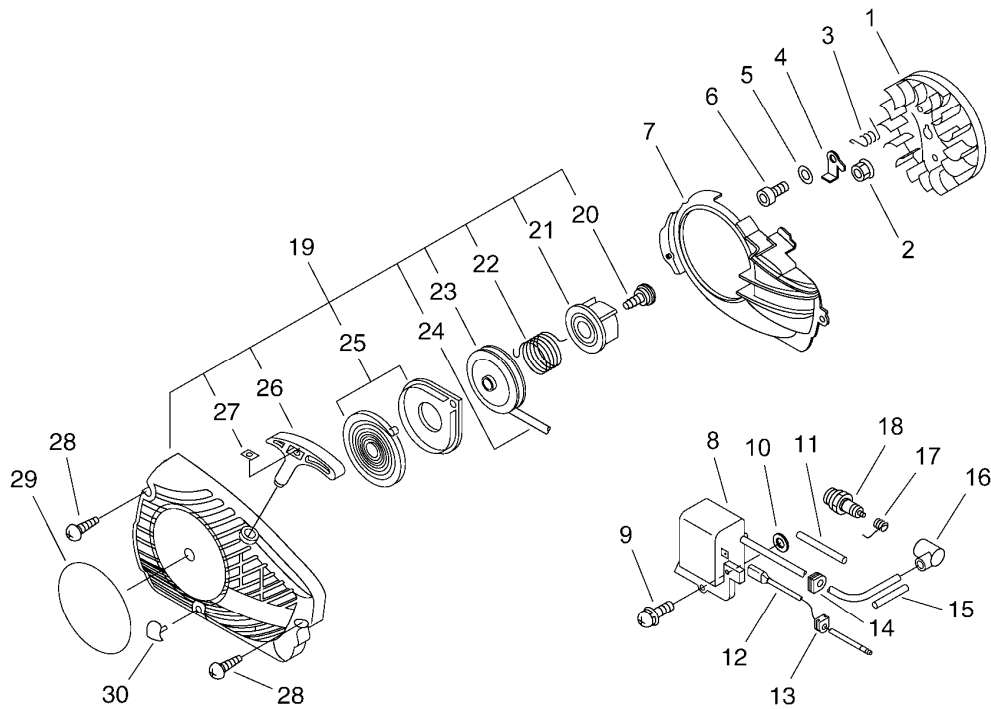
KEY	LV	PART NUMBER	Q'TY	DESCRIPTION	REMARKS	NOTE1	NOTE2
26	+	900724-00004	1	O-RING (S-4)	S-4		
27	+	436114-13930	1	VALVE, CHECK			
28	+	900106-05025	2	BOLT, H.S. 5*25	5*25		

2. AIR CLEANER, MUFFLER



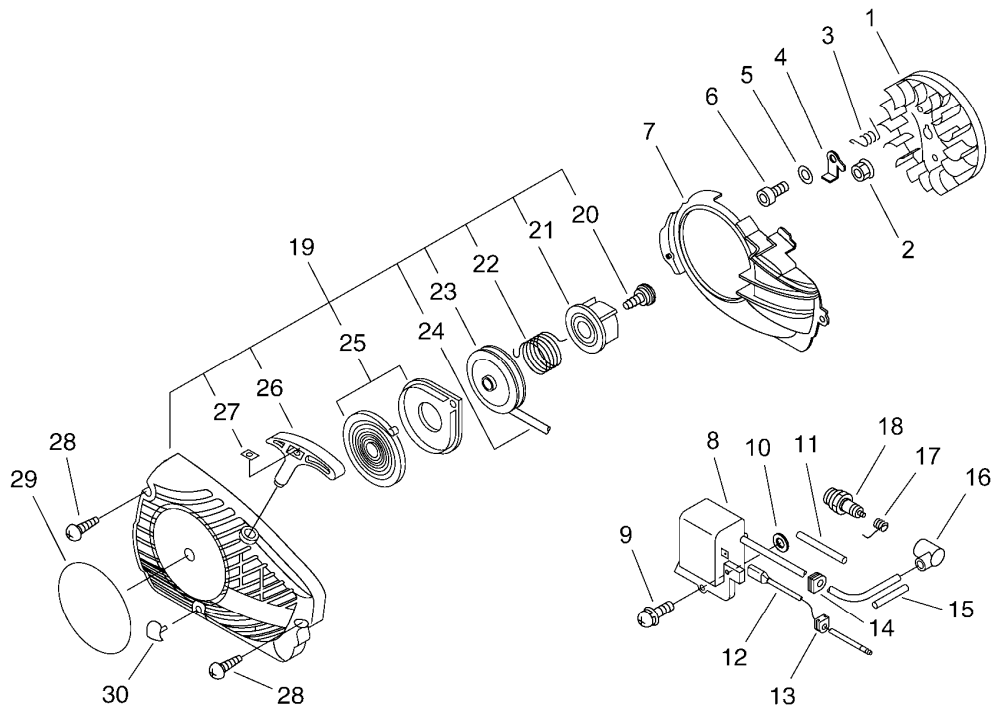
KEY	LV	PART NUMBER	Q'TY	DESCRIPTION	REMARKS	NOTE1	NOTE2
1		P021-001930	1	MUFFLER ASY			
2	+	91107-05040	2	BOLT HSH FLANGE	5*40		
3	+	A303-000000	1	LID,MUFFLER			
4	+	A301-000000	1	PLATE,MUFFLER			
5	+	A300-000130	1	MUFFLER,EXHAUST			
6	+	145510-13931	1	GASKET, MUFFLER			
7		A021-001600	1	CARBURETOR,DIAPHRAGM	WT-909		
8		A225-000025	1	CASE,CLEANER			
9		A244-000000	1	PLATE,PREVENT			
10		900238-05050	2	SCREW 5*50	5*50		
11		A226-000051	1	ELEMENT,AIR FILTER			
12		A232-000241	1	LID,CLEANER			
13		A235-000090	1	KNOB,CLEANER LID			

3. STARTER, MAGNETO



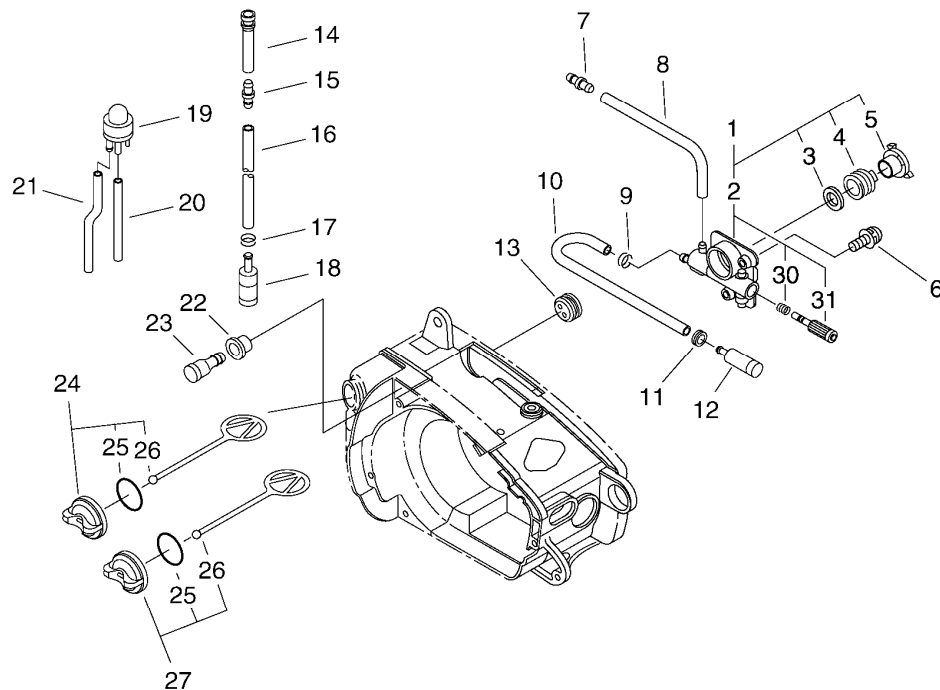
KEY	LV	PART NUMBER	Q'TY	DESCRIPTION	REMARKS	NOTE1	NOTE2
1		A409-000040	1	ROTOR,MAGNETO			
2		900515-00008	1	NUT, FLANGE 8	8		
3		V452-000030	2	SPRING,TORSION			
4		A514-000020	2	PAWL			
5		900603-00005	2	WASHER 5	5.5*12*0.8		
6		V203-000100	2	BOLT,5	M5*16		
7		A172-000112	1	COVER,FAN			
8		A411-000340	1	COIL, IGNITION	ID#10475		
9		900238-05022	2	SCREW 5*22	5*22		
10		150117-16430	2	SPACER			
11		V475-001900	1	TUBE	7*8.6*30		
12		V485-000140	1	LEAD			
13		156114-07320	1	GROMMET			
14		156110-04920	1	BUSHING			
15		V475-003550	1	TUBE	HST-10 7*8.6*50		
16		A427-000013	1	CAP, SPARK PLUG			
17		A426-000010	1	TERMINAL, SPARK PLUG			
18		159010-10230	1	PLUG, SPARK (BPMR-7A)	BPMR-7A		
19		A051-002460	1	STARTER, RECOIL			
20	+	177236-61830	1	SCREW			
21	+	A507-000110	1	CATCHER, PAWL			
22	+	V452-001320	1	SPRING, TORSION			
23	+	A506-000460	1	REEL, ROPE			
24	+	P022-006220	1	ROPE			
25	+	P022-001330	1	SPRING KIT, REWIND			

3. STARTER, MAGNETO



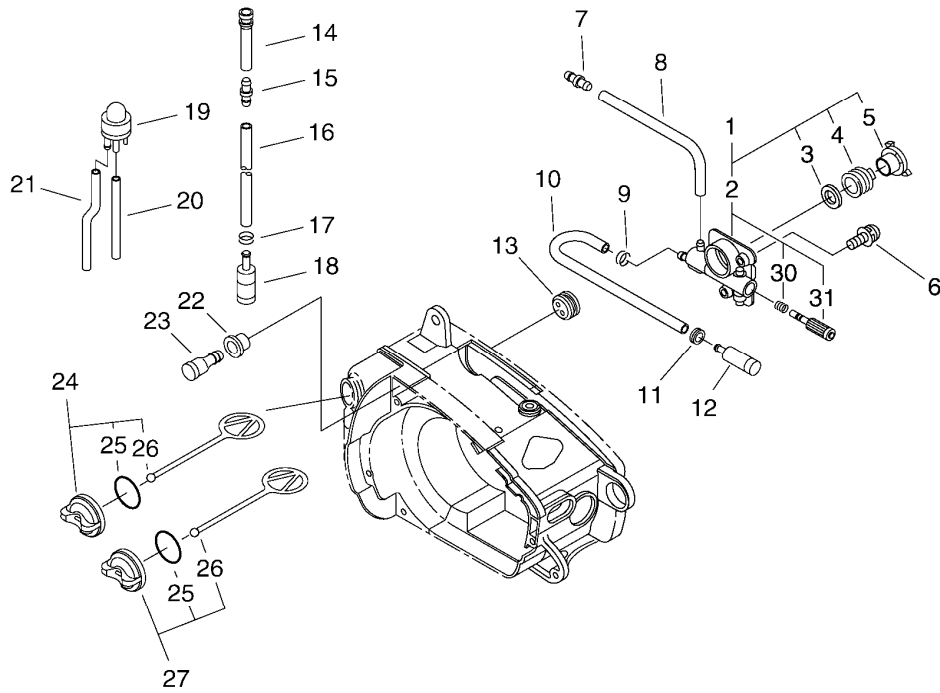
KEY	LV	PART NUMBER	Q'TY	DESCRIPTION	REMARKS	NOTE1	NOTE2
26	+	P022-001320	1	GRIP, STARTER			
27	+	177246-11120	1	CLIP, STARTER ROPE			
28		900256-04016	3	SCREW 4*16			
29		X503-009010	1	LABEL,MODEL	SDK 269TS		
30		V162-000180	1	PLUG			

4. FUEL TANK



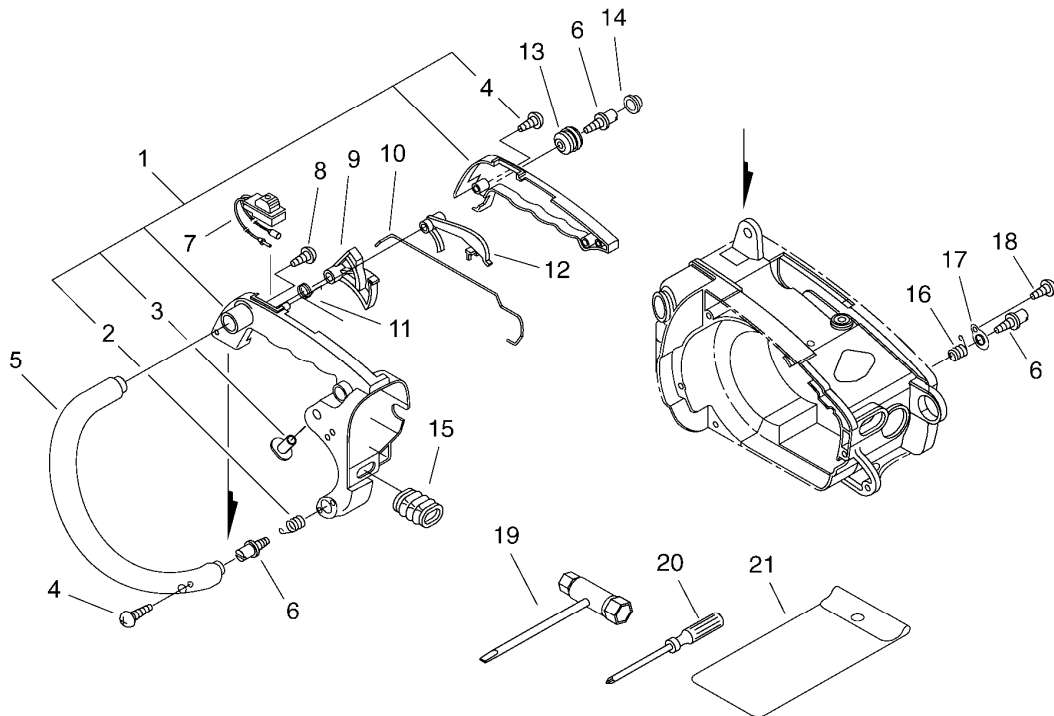
KEY	LV	PART NUMBER	Q'TY	DESCRIPTION	REMARKS	NOTE1	NOTE2
1		P021-033920	1	AUTO-OILER ASY			
2	+	C022-000080	1	AUTO-OILER ASSEMBLY			
30	++	P003-005140	1	SPRING			
31	++	P003-005130	1	SHAFT ASY-PLUNGER			
3	+	V308-000030	1	WASHER,CIRCULAR 11	10.5*17.4*1.8		
4	+	V652-000030	1	GEAR,WORM			
5	+	V356-000290	1	COLLAR,10			
6		900238-04012	2	SCREW 4*12	4*12		
7		V187-000010	1	NIPPLE			
8		132012-11960	1	PIPE 3*6*45	3*6*45 NBR		
9		132013-26630	1	CLIP	6.5MM		
10		132010-22130	1	PIPE, FUEL	3*6*150L NBR		
11		132115-01461	1	GROMMET			
12		436205-02832	1	STRAINER, OIL			
13		132115-44330	1	GROMMET			
14		V470-000320	1	PIPE			
15		V186-000020	1	JOINT,PIPE			
16		V471-001230	1	PIPE	3*5*210 NBR		
17		132013-09820	1	CLIP	6MM		
18		131205-14930	1	STRAINER,FUEL			
19		123181-39130	1	PUMP, PRIMER			
20		V471-001260	1	PIPE	2.4*5*150		
21		V471-001250	1	PIPE	2.4*5*250		
22		V137-000000	1	GROMMET,FUEL			
23		131300-56431	1	VENT ASSEMBLY, FUEL			

4. FUEL TANK



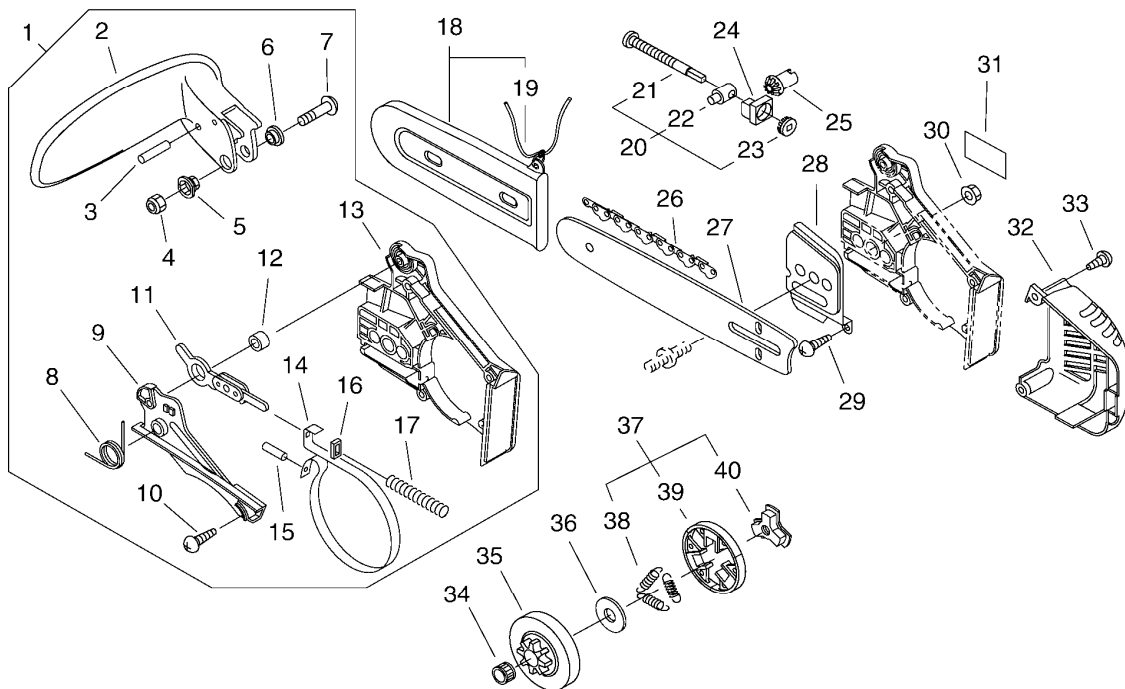
KEY	LV	PART NUMBER	Q'TY	DESCRIPTION	REMARKS	NOTE1	NOTE2
24		P021-005601	1	FUEL CAP ASY			
25	+	900720-00018	1	O-RING 18	P-18		
26	+	A365-000050	1	CONNECTOR,CAP			
27		P021-005581	1	OIL CAP ASY			
25	+	900720-00018	1	O-RING 18	P-18		
26	+	A365-000050	1	CONNECTOR,CAP			

5. HANDLE



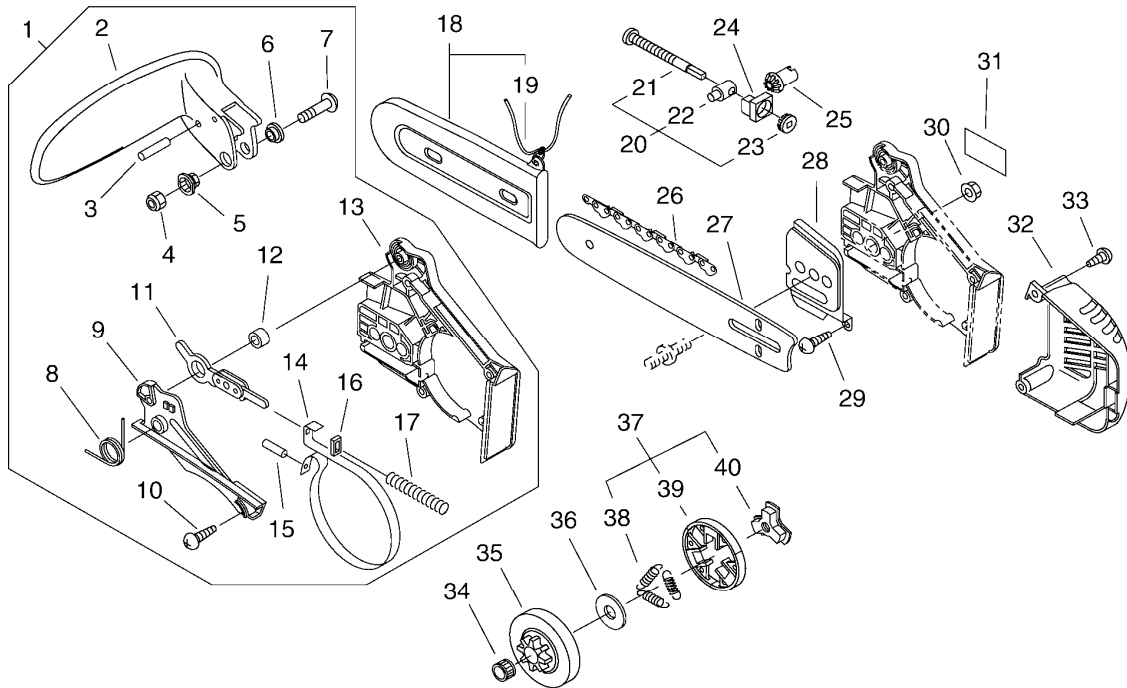
KEY	LV	PART NUMBER	Q'TY	DESCRIPTION	REMARKS	NOTE1	NOTE2
1		P021-007355	1	HANDLE SET, REAR			
2	+	V450-000340	1	SPRING, COMPRESSION	ES		
3	+	130020-33330	2	NUT			
4	+	900256-04016	4	SCREW 4*16			
4		900256-04016	2	SCREW 4*16			
5		C400-000050	1	HANDLE, FRONT			
6		V202-000000	3	BOLT, 4			
7		A440-000371	1	SWITCH, ON OFF			
8		900253-05020	1	SCREW 5*20	5*20		
9		C450-000160	1	TRIGGER, THROTTLE			
10		C454-000051	1	ROD, THROTTLE			
11		V452-000010	1	SPRING, TORSION			
12		C460-000041	1	LOCKOUT, THROTTLE			
13		100921-39131	1	CUSHION			
14		100918-15130	1	CAP			
15		A239-000000	1	PIPE, INTAKE			
16		V450-000080	1	SPRING, COMPRESSION			
17		V150-000420	1	PLATE, EYE			
18		900253-04012	1	SCREW	4*12		
19		895410-02830	1	WRENCH, W/S. DRIVER			
20		895812-03930	1	DRIVER, SCREW 50			
21		898510-39130	1	BAG, TOOL			

6. CLUTCH, SPROCKET, CHAIN BRAKE



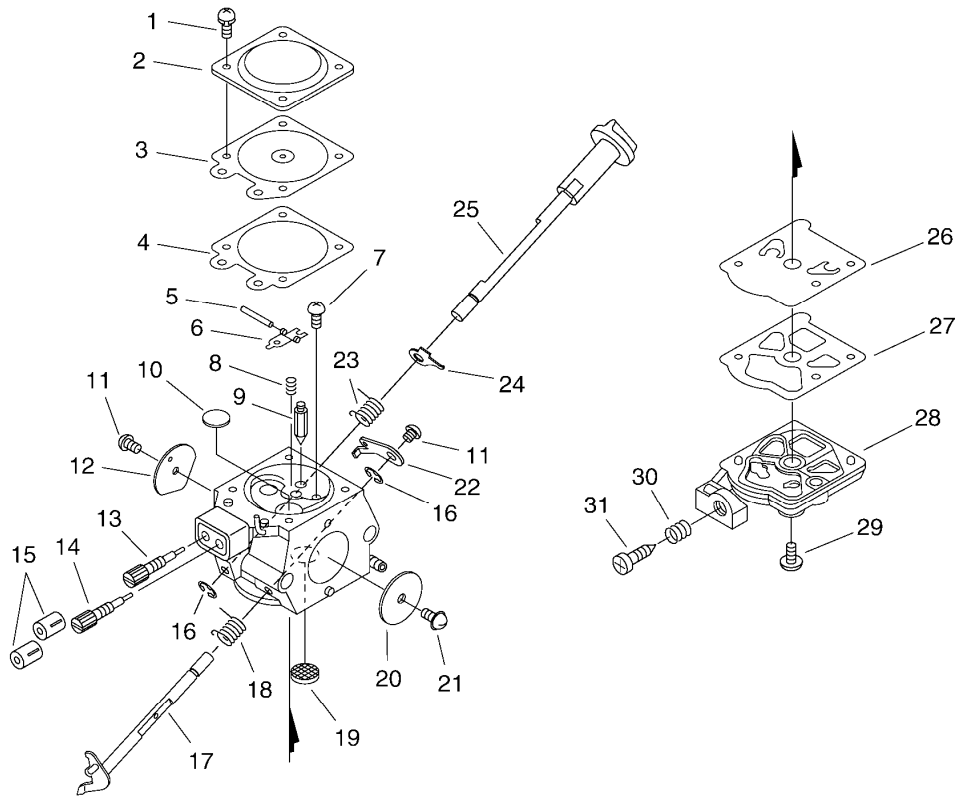
KEY	LV	PART NUMBER	Q'TY	DESCRIPTION	REMARKS	NOTE1	NOTE2
1		C032-000184	1	BRAKE,ASM CHAIN			
2	+	C320-000082	1	LEVER,BRAKE			
3	+	900330-30260	2	ROLLER 3*26	3*26		
4	+	900562-50005	1	LOCKNUT 5	5		
5	+	V353-000060	1	COLLAR,5			
6	+	433167-39130	1	SPACER			
7	+	91318-05032	1	SCREW	5*32		
8	+	V452-000110	1	SPRING,TORSION			
9	+	C345-000094	1	COVER,BRAKE			
10	+	900253-04012	2	SCREW	4*12		
11	+	C334-000070	1	CONNECTOR,BRAKE			
12	+	433116-35430	1	SPACER 8	8*12*9		
13	+	C300-000231	1	GUARD,SPROCKET			
14	+	C328-000020	1	BAND,BRAKE			
15	+	93050-30098	1	ROLLER	F3*9.8		
16	+	V376-000450	1	SPACER			
17	+	V450-000070	1	SPRING,COMPRESSION			
18		P021-003210	1	SCABBARD,CHAIN			
19	+	A509-000020	1	ROPE			
20		P021-000063	1	TENSIONER,CHAIN ASY			
21	+	V203-000021	1	BOLT,5			
22	+	C309-000030	1	TENSIONER,CHAIN			
23	+	V651-000011	1	GEAR,BEVEL			
24		V355-000270	1	COLLAR,8			
25		V651-000001	1	GEAR,BEVEL			
26		X221-000000	1	CHAIN,SAW	91VG-40E		

6. CLUTCH, SPROCKET, CHAIN BRAKE



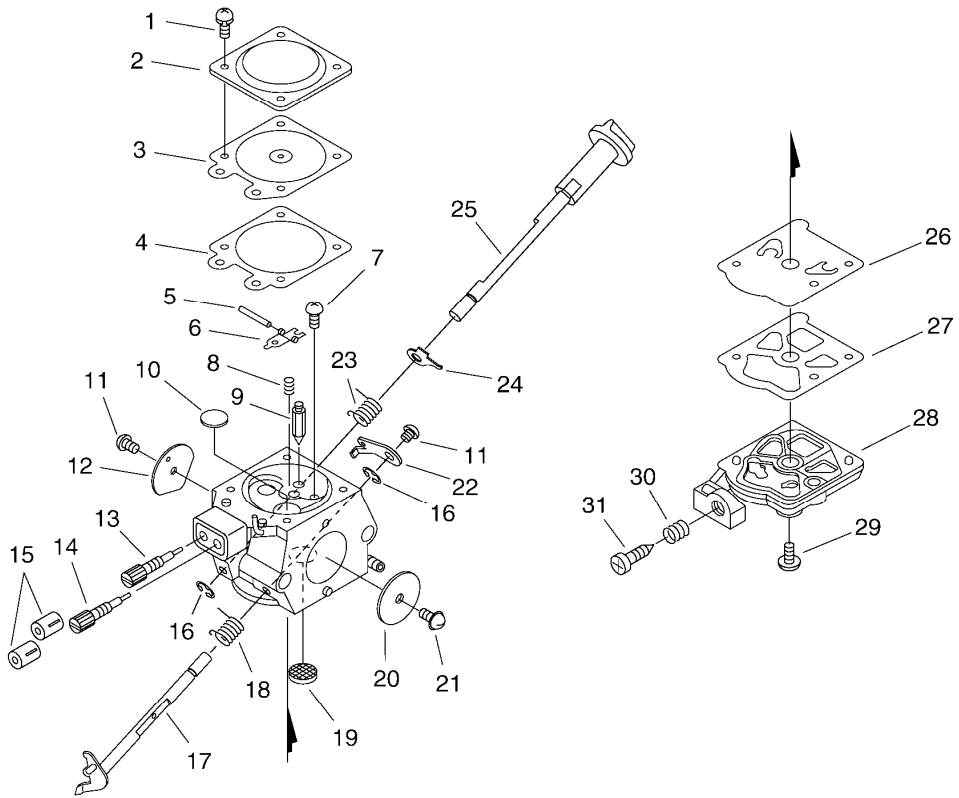
KEY	LV	PART NUMBER	Q'TY	DESCRIPTION	REMARKS	NOTE1	NOTE2
27		X121-000080	1	BAR,GUIDE 25			
28		C305-000031	1	PLATE,SPROCKET GUARD			
29		900253-04010	1	SCREW 4*10	4*10		
30		433019-12330	1	NUT, FLANGE 8	M-8		
31		X504-000810	1	LABEL,BRAND	SDK 269TS		
32		A320-000270	1	COVER,MUFFLER			
33		900253-04016	2	SCREW 4*16	4*16		
34		175012-35630	1	BEARING, NEEDLE	10*13*10		
35		A556-000091	1	DRUM,CLUTCH	3/8A		
36		A551-000010	1	PLATE,CLUTCH			
37		A056-000030	1	CLUTCH			
38	+	V451-000150	3	SPRING,TENSION			
39	+	P021-001950	1	CLUTCH SHOE SET			
40	+	A552-000020	1	HUB,CLUTCH			

7. CARBURETOR



KEY	LV	PART NUMBER	Q'TY	DESCRIPTION	REMARKS	NOTE1	NOTE2
		A021-001600	1	CARBURETOR,DIAPHRAGM	WT-909		
1	+	123130-02960	4	SCREW			
2	+	123142-03930	1	COVER, M. DIAPHRAGM			
3	+	123141-03930	1	DIAPHRAGM, METERING			
4	+	123140-27230	1	GASKET,M. DIAPHRAGM			
5	+	123138-03930	1	PIN, METERING LEVER			
6	+	123123-03930	1	LEVER, METERING			
7	+	123139-03930	1	SCREW, M. LEVER PIN			
8	+	123122-03660	1	SPRING, METER. LEVER			
9	+	123137-19830	1	VALVE, INLET NEEDLE			
10	+	123146-10631	1	PLUG, WELCH			
11	+	123114-38830	2	SCREW			
12	+	123132-35430	1	VALVE, CHOKE			
13	+	123120-03661	1	NEEDLE			
14	+	123118-02261	1	NEEDLE			
15	+	P003-000010	2	LIMITER CAP			
16	+	123127-15030	2	RING			
17	+	P003-001300	1	SHAFT, THROTTLE			
18	+	123113-37530	1	SPRING, THROTTLE RTN			
19	+	123126-10631	1	SCREEN, INLET			
20	+	123116-05960	1	VALVE, THROTTLE			
21	+	123114-05260	1	SCREW			
22	+	P003-000380	1	THROTTLE, LEVER			
23	+	P003-001470	1	SPRING			
24	+	P003-001510	1	LEVER-FAST IDLE			
25	+	P003-001170	1	SHAFT-CHOKE(MOLD)			

7. CARBURETOR



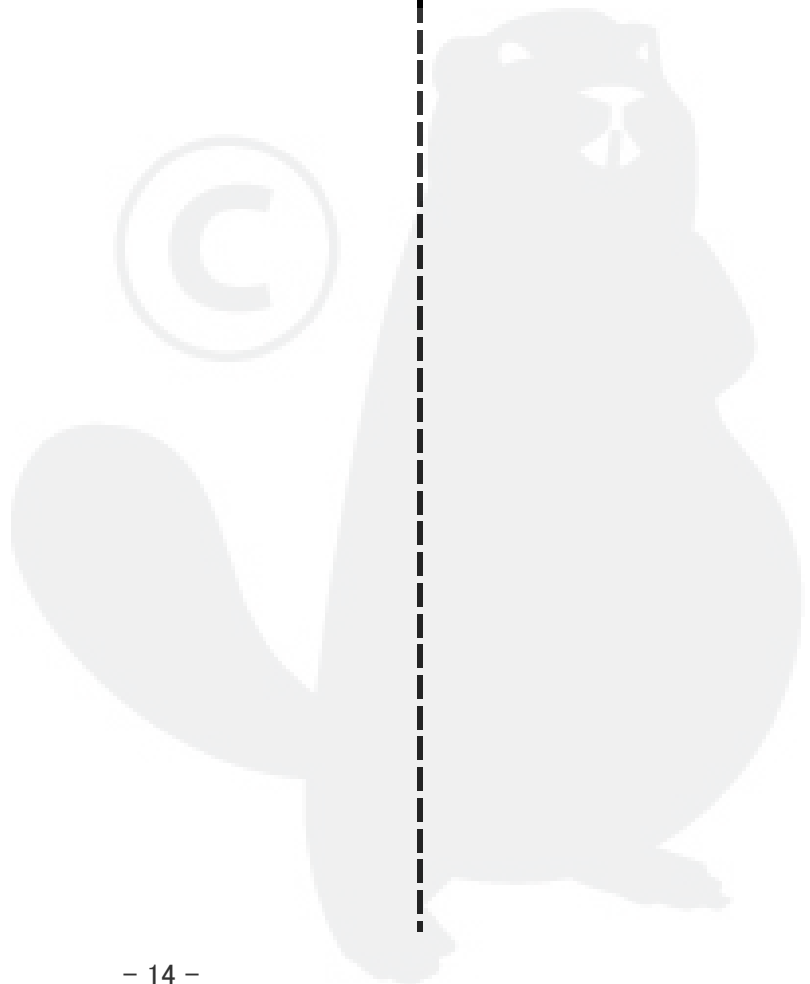
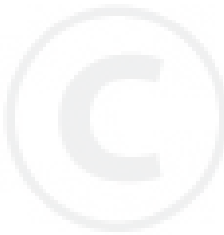
KEY	LV	PART NUMBER	Q'TY	DESCRIPTION	REMARKS	NOTE1	NOTE2
26	+	123112-15030	1	DIAPHRAGM, FUEL PUMP			
27	+	123125-15030	1	GASKET, FUEL PUMP			
28	+	123124-24430	1	COVER, FUEL PUMP			
29	+	123110-03930	1	SCREW, PUMP COVER			
30	+	123133-04260	1	SPRING, IDLE ADJUST			
31	+	123134-04260	1	SCREW, IDLE ADJUST			

Index

Patrs Number	Key No.	Patrs Number	Key No.	Patrs Number	Key No.
100011-05731	1 - 11	177246-11120	3 - 27	A239-000000	5 - 15
100013-22330	1 - 10	433019-12330	6 - 30	A244-000000	2 - 9
100014-55930	1 - 8	433026-35430	1 - 23	A300-000130	2 - 5
100015-04630	1 - 9	433116-35430	6 - 12	A301-000000	2 - 4
100918-15130	5 - 14	433167-39130	6 - 6	A303-000000	2 - 3
100921-39131	5 - 13	436114-13930	1 - 27	A320-000270	6 - 32
123110-03930	7 - 29	436205-02832	4 - 12	A365-000050	4 - 26
123112-15030	7 - 26	895410-02830	5 - 19	A365-000050	4 - 26
123113-37530	7 - 18	895812-03930	5 - 20	A409-000040	3 - 1
123114-05260	7 - 21	898510-39130	5 - 21	A411-000340	3 - 8
123114-38830	7 - 11	900106-05016	1 - 19	A426-000010	3 - 17
123116-05960	7 - 20	900106-05025	1 - 28	A427-000013	3 - 16
123118-02261	7 - 14	900162-04012	1 - 12	A440-000371	5 - 7
123120-03661	7 - 13	900162-05022	1 - 2	A506-000460	3 - 23
123122-03660	7 - 8	900238-04012	4 - 6	A507-000110	3 - 21
123123-03930	7 - 6	900238-05022	3 - 9	A509-000020	6 - 19
123124-24430	7 - 28	900238-05050	2 - 10	A514-000020	3 - 4
123125-15030	7 - 27	900253-04010	6 - 29	A551-000010	6 - 36
123126-10631	7 - 19	900253-04012	1 - 16	A552-000020	6 - 40
123127-15030	7 - 16	900253-04012	5 - 18	A556-000091	6 - 35
123130-02960	7 - 1	900253-04012	6 - 10	C022-000080	4 - 2
123132-35430	7 - 12	900253-04016	6 - 33	C032-000184	6 - 1
123133-04260	7 - 30	900253-05020	1 - 24	C300-000231	6 - 13
123134-04260	7 - 31	900253-05020	5 - 8	C305-000023	1 - 21
123137-19830	7 - 9	900256-04016	3 - 28	C305-000031	6 - 28
123138-03930	7 - 5	900256-04016	5 - 4	C309-000030	6 - 22
123139-03930	7 - 7	900256-04016	5 - 4	C320-000082	6 - 2
123140-27230	7 - 4	900330-30260	6 - 3	C328-000020	6 - 14
123141-03930	7 - 3	900515-00008	3 - 2	C334-000070	6 - 11
123142-03930	7 - 2	900562-50005	6 - 4	C345-000094	6 - 9
123146-10631	7 - 10	900603-00005	3 - 5	C400-000050	5 - 5
123181-39130	4 - 19	900720-00018	4 - 25	C450-000160	5 - 9
130020-33330	5 - 3	900720-00018	4 - 25	C454-000051	5 - 10
131205-14930	4 - 18	900724-00004	1 - 26	C460-000041	5 - 12
131300-56431	4 - 23	900800-36001	1 - 5	P003-000010	7 - 15
132010-22130	4 - 10	91107-05040	2 - 2	P003-000380	7 - 22
132012-11960	4 - 8	91318-05032	6 - 7	P003-001170	7 - 25
132013-09820	4 - 17	93050-30098	6 - 15	P003-001300	7 - 17
132013-26630	4 - 9	A021-001600	2 - 7	P003-001470	7 - 23
132115-01461	4 - 11	A021-001600	7 -	P003-001510	7 - 24
132115-44330	4 - 13	A051-002460	3 - 19	P003-005130	4 - 31
145510-13931	2 - 6	A056-000030	6 - 37	P003-005140	4 - 30
150117-16430	3 - 10	A127-000041	1 - 15	P021-000063	6 - 20
156110-04920	3 - 14	A172-000112	3 - 7	P021-001930	2 - 1
156114-07320	3 - 13	A202-000001	1 - 14	P021-001950	6 - 39
159010-10230	3 - 18	A225-000025	2 - 8	P021-002150	1 - 7
163911-30130	1 - 18	A226-000051	2 - 11	P021-003210	6 - 18
175012-35630	6 - 34	A232-000241	2 - 12	P021-003417	1 - 25
177236-61830	3 - 20	A235-000090	2 - 13	P021-005581	4 - 27

Index

Patrs Number	Key No.	Patrs Number	Key No.	Patrs Number	Key No.
P021-005601	4 - 24				
P021-007355	5 - 1				
P021-011221	1 - 3				
P021-011230	1 - 1				
P021-033920	4 - 1				
P022-001320	3 - 26				
P022-001330	3 - 25				
P022-006220	3 - 24				
V137-000000	4 - 22				
V150-000420	5 - 17				
V162-000180	3 - 30				
V186-000020	4 - 15				
V187-000010	4 - 7				
V202-000000	5 - 6				
V202-000011	1 - 22				
V203-000021	6 - 21				
V203-000100	3 - 6				
V225-000030	1 - 20				
V308-000030	4 - 3				
V353-000060	6 - 5				
V355-000270	6 - 24				
V356-000290	4 - 5				
V358-000021	1 - 13				
V376-000450	6 - 16				
V450-000070	6 - 17				
V450-000080	5 - 16				
V450-000340	5 - 2				
V451-000150	6 - 38				
V452-000010	5 - 11				
V452-000030	3 - 3				
V452-000110	6 - 8				
V452-001320	3 - 22				
V470-000320	4 - 14				
V471-001230	4 - 16				
V471-001250	4 - 21				
V471-001260	4 - 20				
V475-001900	3 - 11				
V475-003550	3 - 15				
V485-000140	3 - 12				
V505-000000	1 - 4				
V553-000020	1 - 6				
V651-000001	6 - 25				
V651-000011	6 - 23				
V652-000030	4 - 4				
X121-000080	6 - 27				
X221-000000	6 - 26				
X503-009010	3 - 29				
X504-000810	6 - 31				
X505-002440	1 - 17				



YAMABIKO CORPORATION

7-2 SUEHIROCHO 1-CHOME, OHME, TOKYO 198-8760, JAPAN
PHONE: 81-428-32-6118. FAX: 81-428-32-6145.

shindaiwa[®]



11Fb
No. 64-219