

Shindaiwa Illustrated Parts List

285s EC1 Chainsaw

CYLINDER.....	2
CRANKCASE.....	3
CYLINDER COVER / CLEANER COVER / REAR HANDLE / FUEL FILTER.....	4
PISTON.....	5
CLUTCH / CLUTCH COVER / OIL PIPE / CHAIN COVER.....	6 - 7
ROTOR.....	8
RECOIL STARTER.....	9
CARBURETOR / AIR CLEANER.....	10
PULLER.....	11
TOOL SET.....	11

www.shindaiwa.com

11975 SW Herman Road

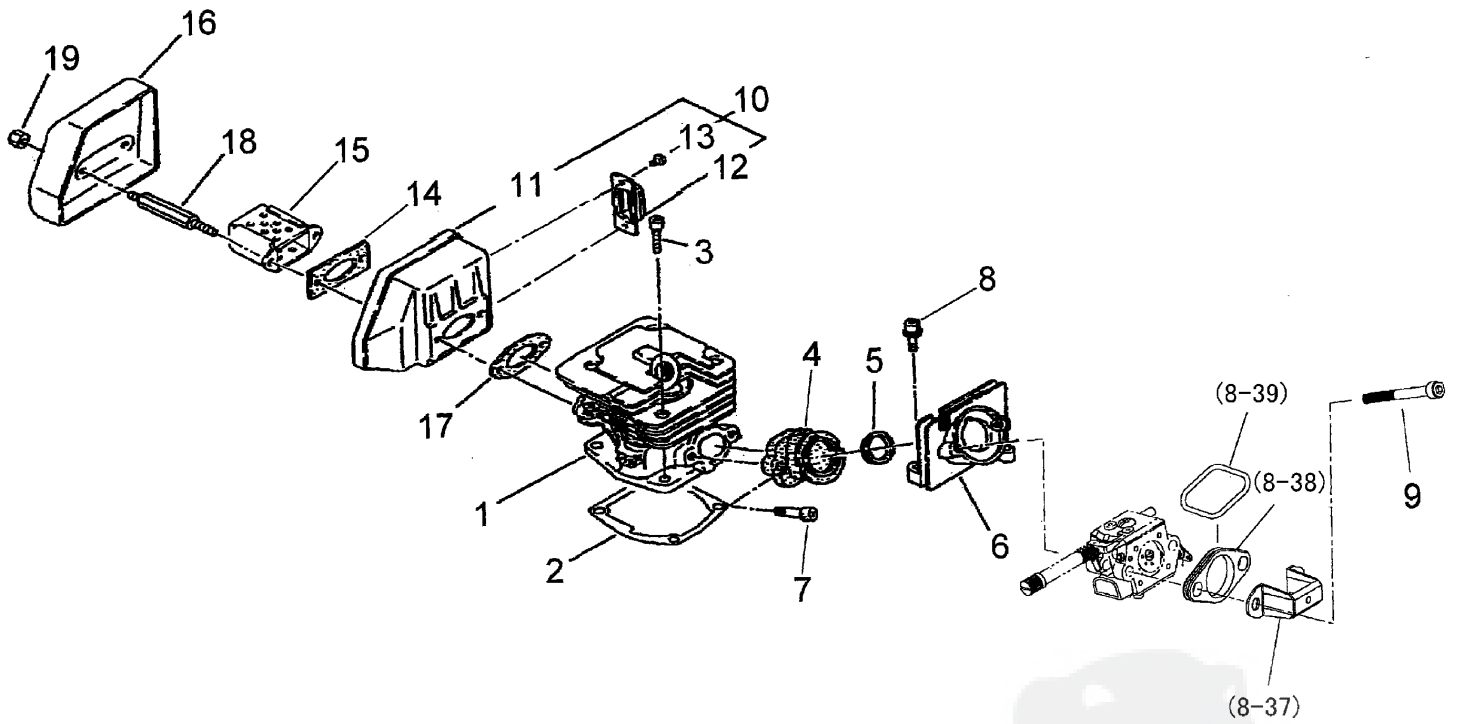
Tualatin, Oregon 97062, U.S.A.

1 + 503.692.3070 • fax 1 + 503.692.6696 •

shindaiwa

CYLINDER

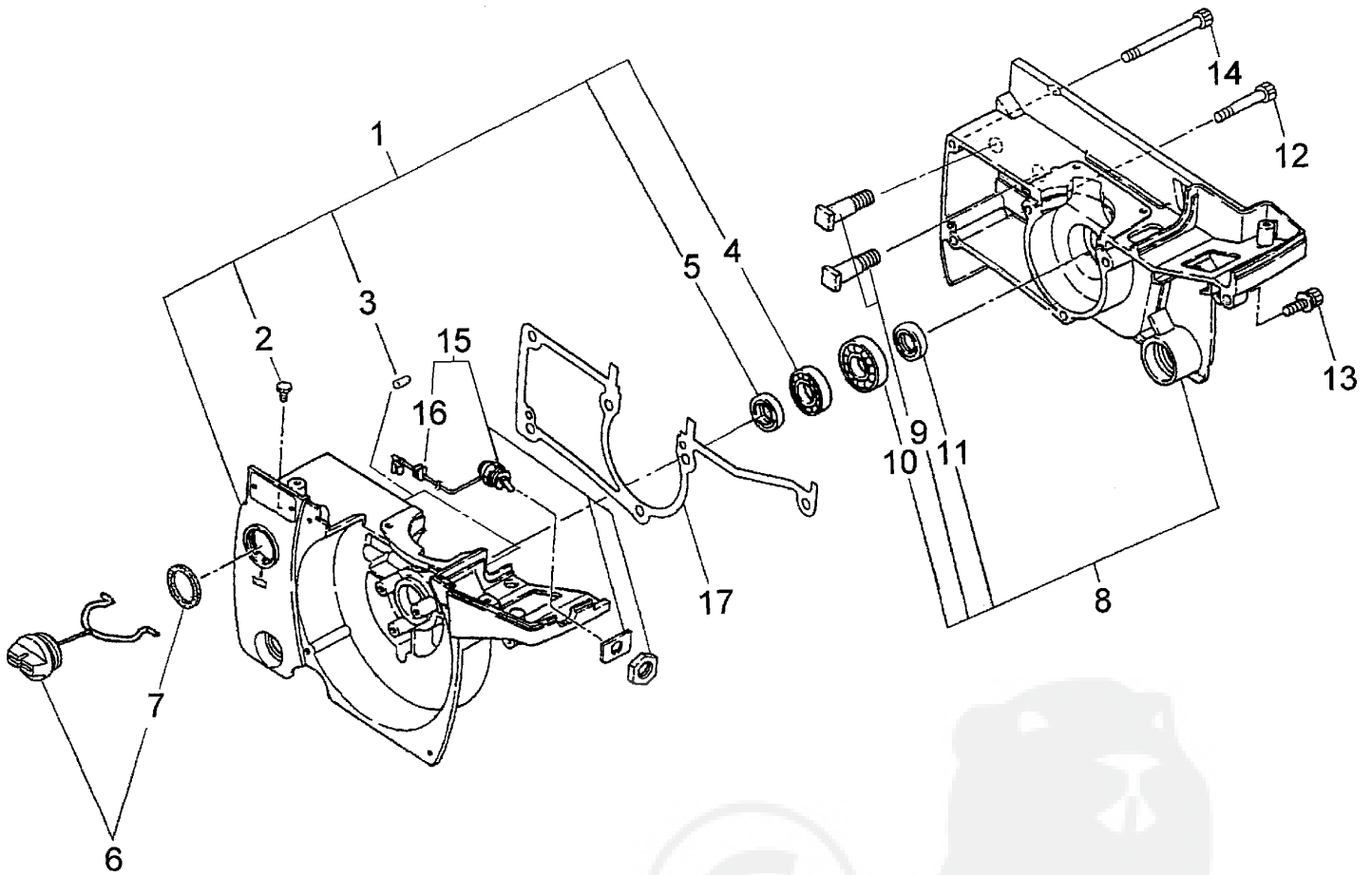
ILLUSTRATION 1 - REV 10/05



Ref. No	Part No.	Part Name	Q'ty
1-1	39300-12110	CYLINDER	1
2	22154-12120	GASKET CYLINDER	1
3	22154-12130	BOLT	4
4	22156-12152	BOOT	1
5	22156-14140	SLEEVE	1
6	22177-12170	BRACKET	1
7	11060-04121	BOLT ADHESIVE	2
8	11060-04141	BOLT ADHESIVE	2
9	11060-05500	BOLT ADHESIVE	2
10	22154-15100	BASE MUFFLER SUB ASSEMBLY	1
11	22154-15110	*BASE MUFFLER	1
12	22154-15130	*TAIL PLATE	1
13	11203-04060	*SCREW PM	2
14	22154-15140	PLATE MUFFLER	1
15	22154-15150	PIPE MUFFLER	1
16	72303-15180	COVER MUFFLER	1
17	22154-15211	GASKET MUFFLER	1
18	72303-15410	BOLT	2
19	20011-12260	NUT	2

CRANKCASE

ILLUSTRATION 2 - REV 10/05

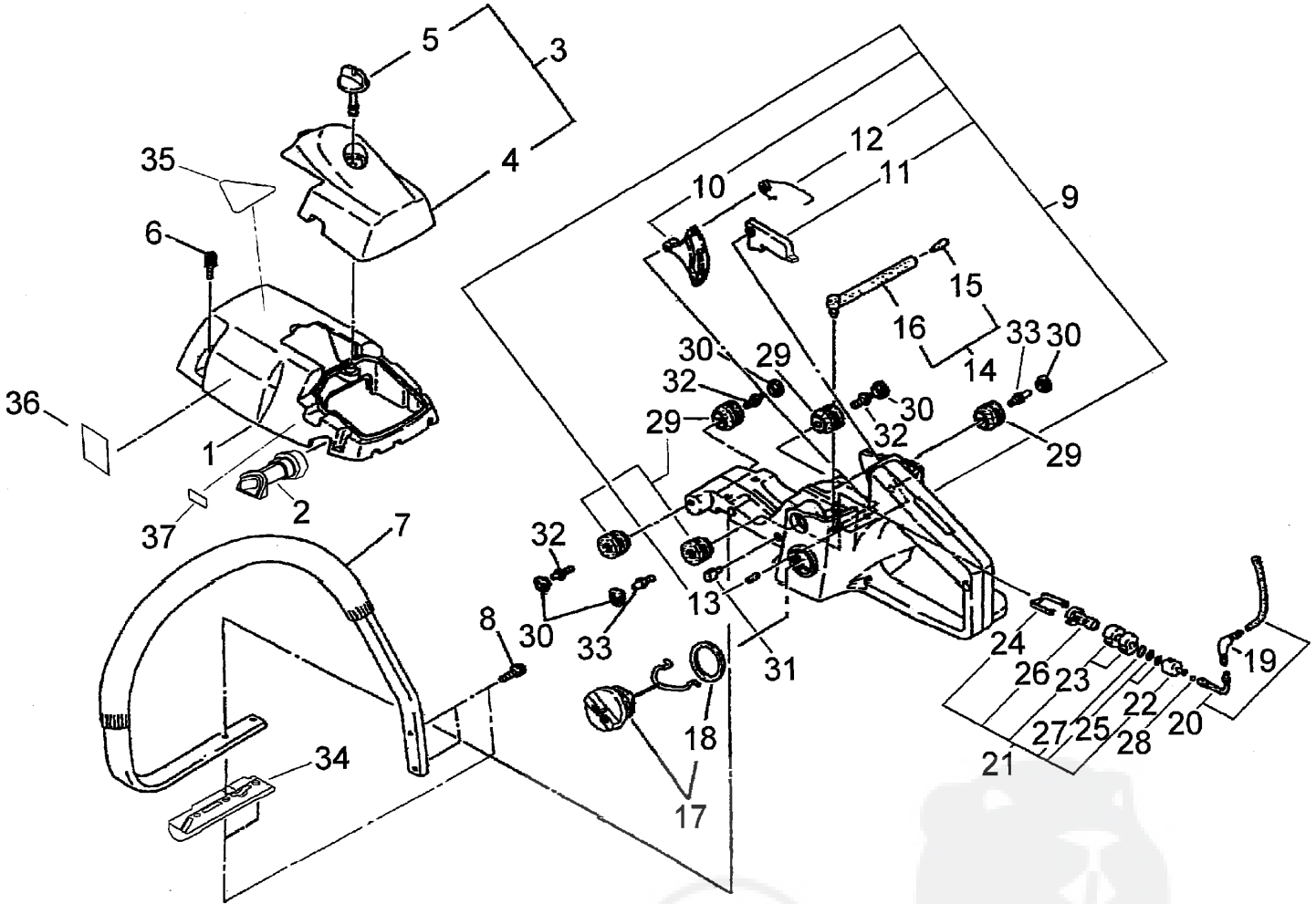


Ref. No	Part No.	Part Name	Q'ty
2-1	22165-21201	CRANKCASE M COMP.	1
2	22115-57120	*VALVE OIL TANK	1
3	12492-40080	*ROLLER	2
4	12900-60010	*BEARING	1
5	22150-21250	*OIL SEAL	1
6	72320-31403	CAP ASSEMBLY	1
7	22160-21351	*GASKET CAP	1
8	22165-21502	CRANKCASE COMP.	1
9	22120-12260	*BOLT BAR	2
10	12900-62010	*BEARING	1
11	22150-21250	*OIL SEAL	1
12	11060-05300	BOLT ADHESIVE	3
13	11060-05182	BOLT ADHESIVE	1
14	11060-05450	BOLT ADHESIVE	2
15	22180-22100	SWITCH ASSEMBLY	1
16	22156-22150	*GROMMET	1
17	39035-21310	GASKET CASE	1

* Denotes item is part of an assembly ** Denotes item is part of a sub-assembly

CYLINDER COVER / CLEANER COVER / REAR HANDLE / FUEL FILTER

ILLUSTRATION 3 - REV 10/05

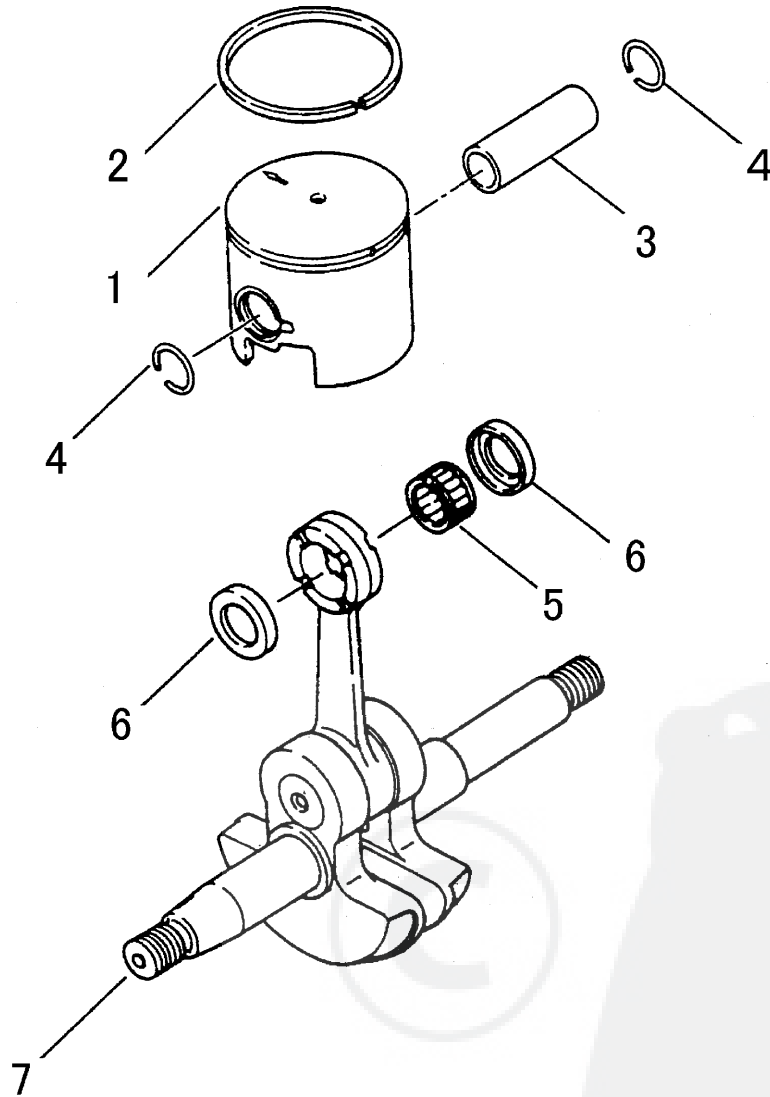


Ref. No	Part No.	Part Name	Q'ty
3-1	39006-31020	CYLINDER COVER	1
2	69022-31310	GROMMET	1
3	39006-31031	CLEANER COVER SUB ASSEMBLY	1
4	39006-31040	*CLEANER COVER	1
5	22155-82520	*KNOB CLEANER COVER	1
6	11060-04160	BOLT ADHESIVE	1
7	22156-32111	FRONT HANDLE	1
8	11044-04180	BOLT TAPPING	4
9	69018-32030	REAR HANDLE SUB ASSEMBLY	1
10	22154-33320	*THROTTLE LEVER	1
11	69018-32250	*LOCK LEVER	1
12	17520-11300	*COIL SPRING	1
13	12420-40255	*SPRING PIN	2
14	22154-33900	BREATHER ASSEMBLY	1
15	22155-33950	*ELEMENT	1
16	22154-33940	*PIPE	1
17	22197-33802	CAP ASSEMBLY	1
18	22160-21351	*GASKET CAP	1

Ref. No	Part No.	Part Name	Q'ty
19	22155-33930	JOINT	1
20	22159-34110	FUEL PIPE	1
21	22115-85401	FUEL FILTER SUB ASSEMBLY	1
22	22128-85410	*FUEL LINE WEIGHT	1
23	22128-85421	*FILTER	2
24	22128-85440	*CLIP FILTER	1
25	22118-85460	*SCREEN	2
26	22128-85470	*SLEEVE	1
27	22128-85480	*RING	1
28	20020-85540	CLIP	1
29	22154-33731	CUSHION 22	5
30	22154-33740	PLUG 22	5
31	22154-33750	SUPPORTER	1
32	22156-33750	BOLT HILO	3
33	22154-33761	STOP BOLT 22	2
34	39300-34310	STAND	1
35	19402-00083	LABEL CAUTION	1
36	19404-00035	LABEL DECIBEL	1
37	19401-00094	LABEL INST	1

PISTON

ILLUSTRATION 4 - REV 10/05

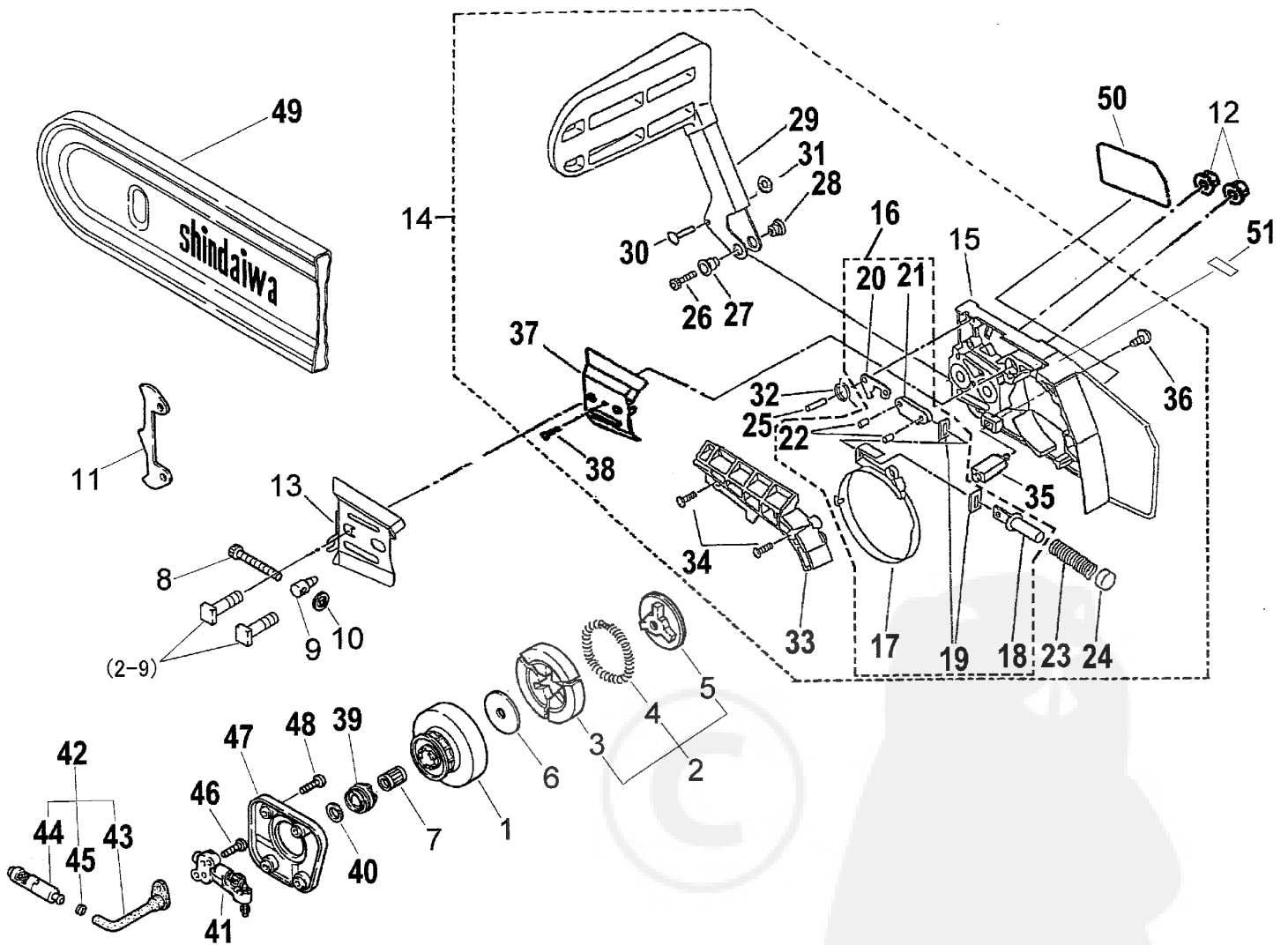


Ref. No	Part No.	Part Name	Q'ty
4-1	22154-41110	PISTON	1
2	22100-41210	PISTON RING	1
3	20010-41310	PISTON PIN	1
4	22100-41230	SNAP RING	2
5	20010-41330	NEEDLE BEARING	1
6	22156-41340	THRUST WASHER	2
7	22154-42000	CRANKSHAFT ASSEMBLY	1

* Denotes item is part of an assembly ** Denotes item is part of a sub-assembly

CLUTCH / CLUTCH COVER / OIL PIPE / CHAIN COVER

ILLUSTRATION 5 - REV 10/05



CLUTCH / CLUTCH COVER / OIL PIPE / CHAIN COVER

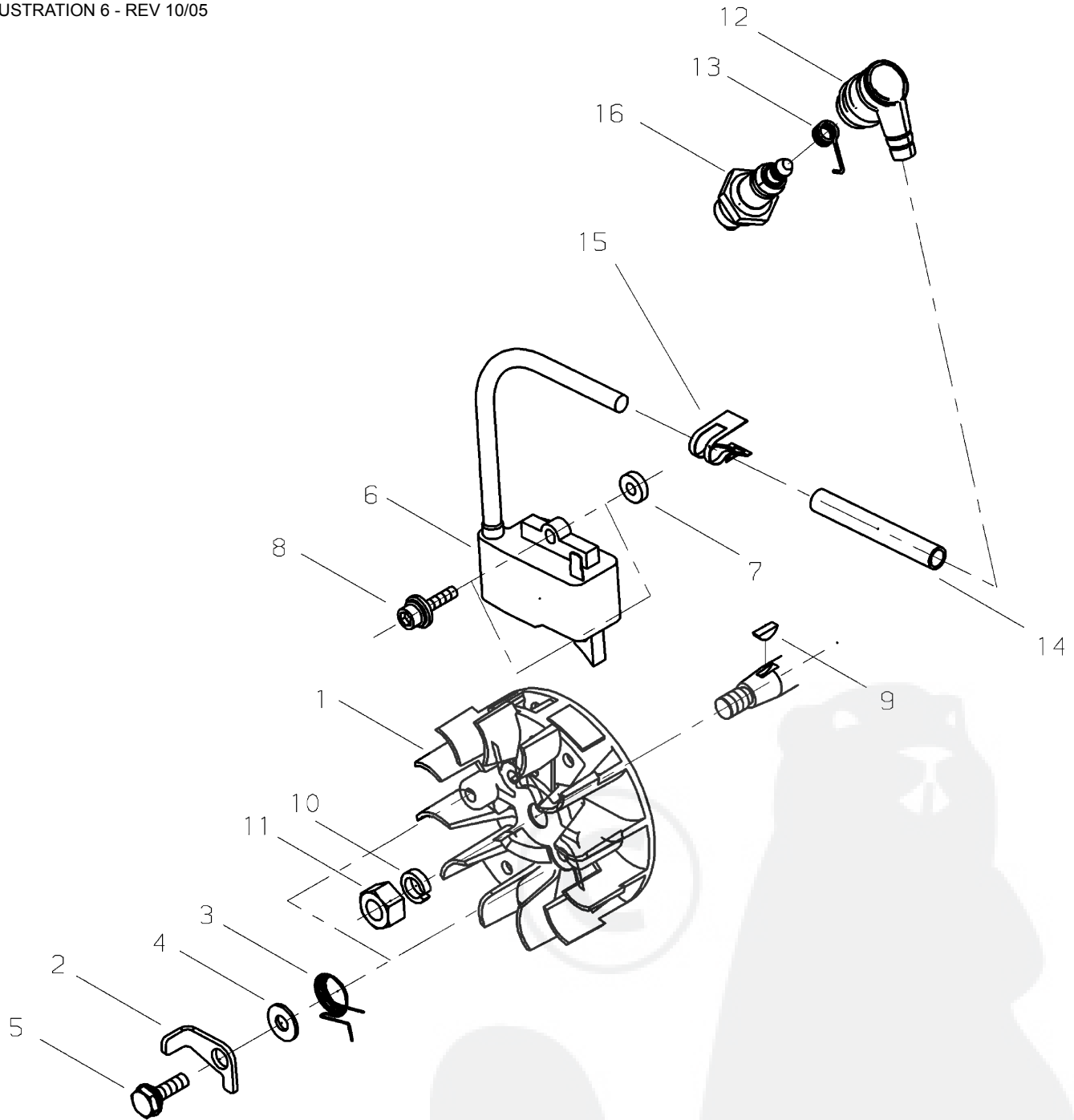
ILLUSTRATION 5 - REV 10/05

Ref. No	Part No.	Part Name	Q'ty
5- 1	22163-51110	CLUTCH DRUM	1
2	72348-51200	CLUTCH ASSEMBLY	1
3	72348-51220	*CLUTCH SHOE	3
4	22102-51230	*CLUTCH SPRING	1
5	22154-51240	*CLUTCH BOSS B	1
6	22154-51250	CLUTCH BOSS A	1
7	22102-51310	NEEDLE BEARING	1
8	22154-52421	SLIDE SCREW	1
9	22150-52440	SLIDE PIECE	1
10	22154-52450	PUSH NUT	1
11	22154-52530	SPIKE	1
12	22182-52411	NUT	2
13	39300-52130	GUIDE PLATE	1
14	69018-53012	CLUTCH COVER ASSEMBLY	1
15	39006-53024	*CLUTCH COVER	1
16	39020-53320	*BRAKE BAND COMP.	1
17	72345-54210	**BRAKE BAND	1
18	72316-54220	**HOLDER SPRING	1
19	72316-54310	**ADJUST PLATE	2
20	22173-54561	**INNER LEVER	1
21	72316-54570	**TIE STRAP	1
22	12492-40080	**ROLLER	2
23	72346-54230	*BRAKE SPRING	1
24	72316-54240	*STOPPER	1
25	12492-40140	*ROLLER	1
26	01020-04120	*BOLT	1

Ref. No	Part No.	Part Name	Q'ty
27	69018-53310	*HOLDER	1
28	39309-53320	*NUT LEVER	1
29	72316-54511	*LEVER	1
30	69018-53320	*PIN LEVER	1
31	23115-63160	*NUT	1
32	72316-54580	*SPRING LEVER	1
33	72327-54610	*COVER	1
34	01270-04122	*SCREW TAPPING	2
35	22154-54611	*CHAIN CATCHER	1
36	01275-03102	*SCREW TRUSS T	1
37	22159-54160	*GUIDE PLATE B	1
38	01270-04082	*SCREW TAPPING	1
39	22154-55110	GEAR	1
40	22154-55120	THRUST PLATE	1
41	22154-55200	OIL PUMP ASSEMBLY	1
42	22154-55301	OIL PIPE ASSEMBLY	1
43	22154-55310	*OIL PIPE	1
44	22154-55330	*OIL FILTER	1
45	22154-85540	*CLIP OIL	1
46	11205-04120	SCREW ADHESIVE	2
47	22154-56110	PUMP COVER	1
48	11205-04120	SCREW ADHESIVE	4
49	19600-44100	CHAIN COVER	1
50	69022-91320	LABEL TRADE	1
51	19401-00093	LABEL INST	1

ROTOR

ILLUSTRATION 6 - REV 10/05

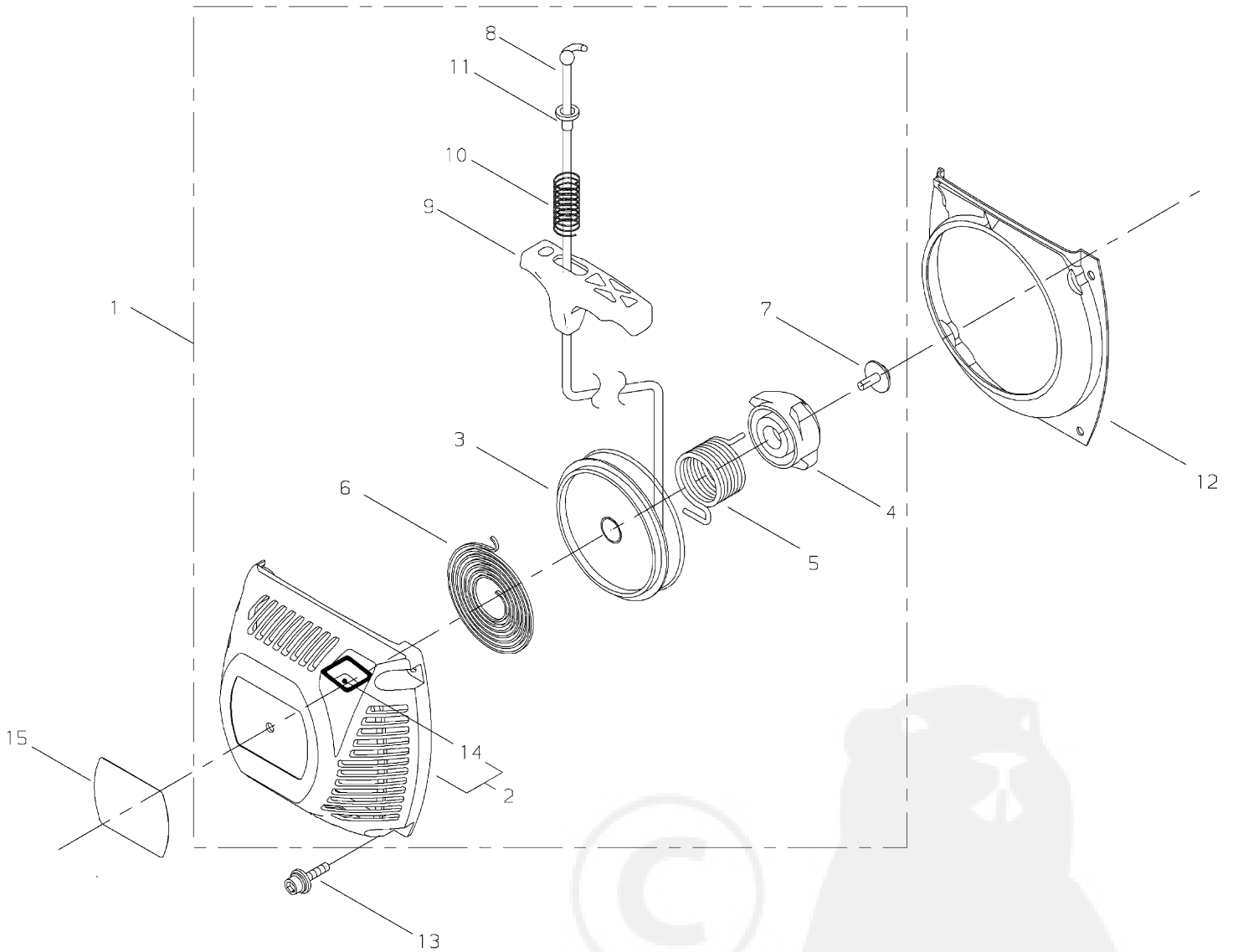


Ref. No	Part No.	Part Name	Q'ty
6-1	39300-71110	ROTOR	1
2	22182-71412	RATCHET	2
3	22182-71421	SPRING RATCHET	2
4	22182-71430	WASHER	2
5	22182-71440	BOLT	2
6	39300-71020	COIL ASSEMBLY	1
7	22154-71811	INSULATOR	2
8	11022-04200	BOLT SPW	2

Ref. No	Part No.	Part Name	Q'ty
9	02403-03100	KEY	1
10	01600-08201	SPRING WASHER	1
11	22100-43231	NUT	1
12	22160-72220	PLUG CAP	1
13	22154-72230	SPRING PLUG	1
14	70064-72110	TUBE	1
15	22154-72240	CLIP	1
16	13000-13507	SPARK PLUG BPMR7A	1

RECOIL STARTER

ILLUSTRATION 7 - REV 10/05

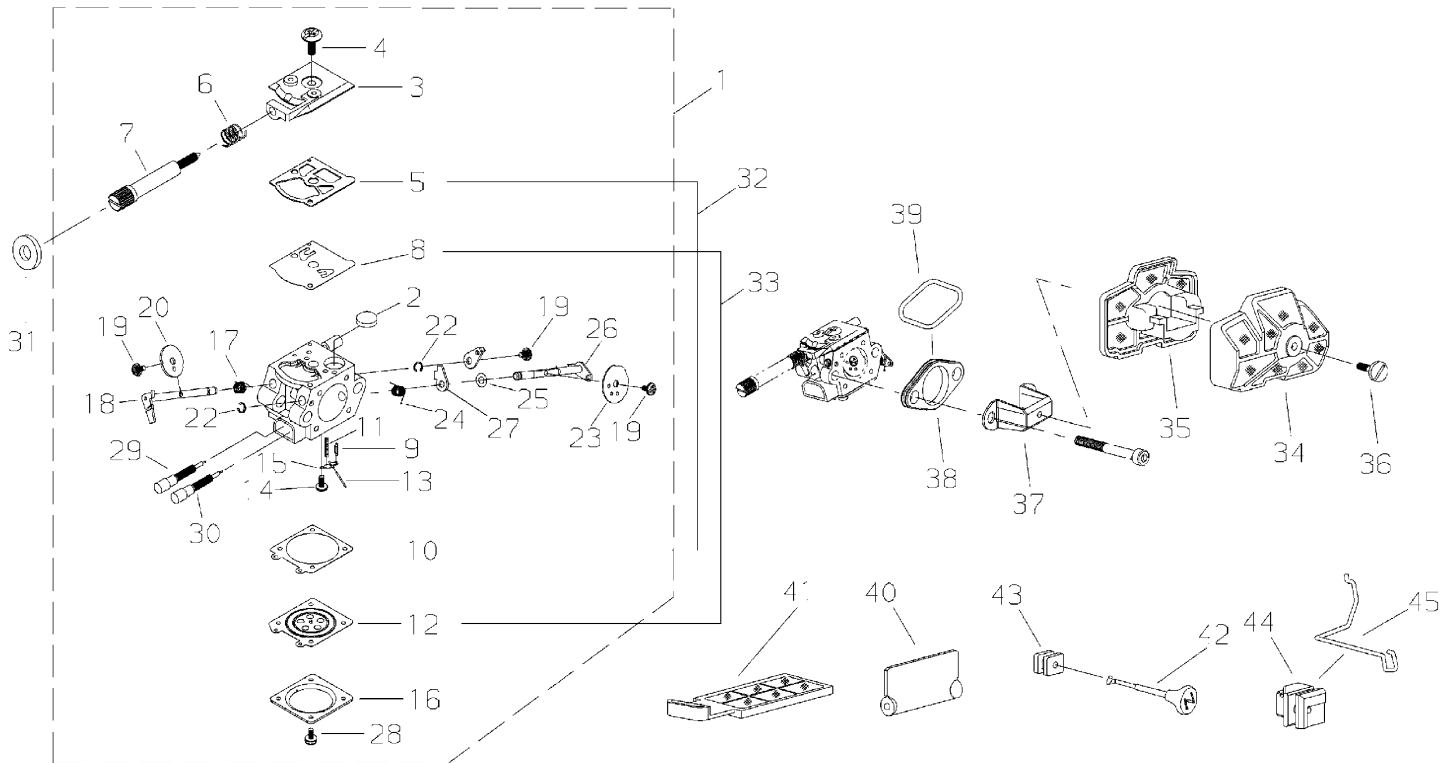


Ref. No	Part No.	Part Name	Q'ty
7-1	39300-75010	RECOIL STARTER ASSEMBLY	1
2	39300-75110	*STARTER CASE	1
14	22182-75120	**GUIDE	1
3	39300-75121	*REEL	1
4	39300-75311	*CAM	1
5	39300-75320	*COIL SPRING	1
6	39300-75130	*RECOIL SPRING	1
7	39300-75330	*SCREW	1
8	39300-75140	*ROPE	1
9	39300-75150	*KNOB	1
10	39300-75340	*COIL SPRING	1
11	39300-75350	*SPACER	1
12	39300-75210	AIR PLATE	1
13	11022-04200	BOLT ADHESIVE	4
15	69022-91330	LABEL TRADE	1

* Denotes item is part of an assembly ** Denotes item is part of a sub-assembly

CARBURETOR / AIR CLEANER

ILLUSTRATION 8 - REV 10/05

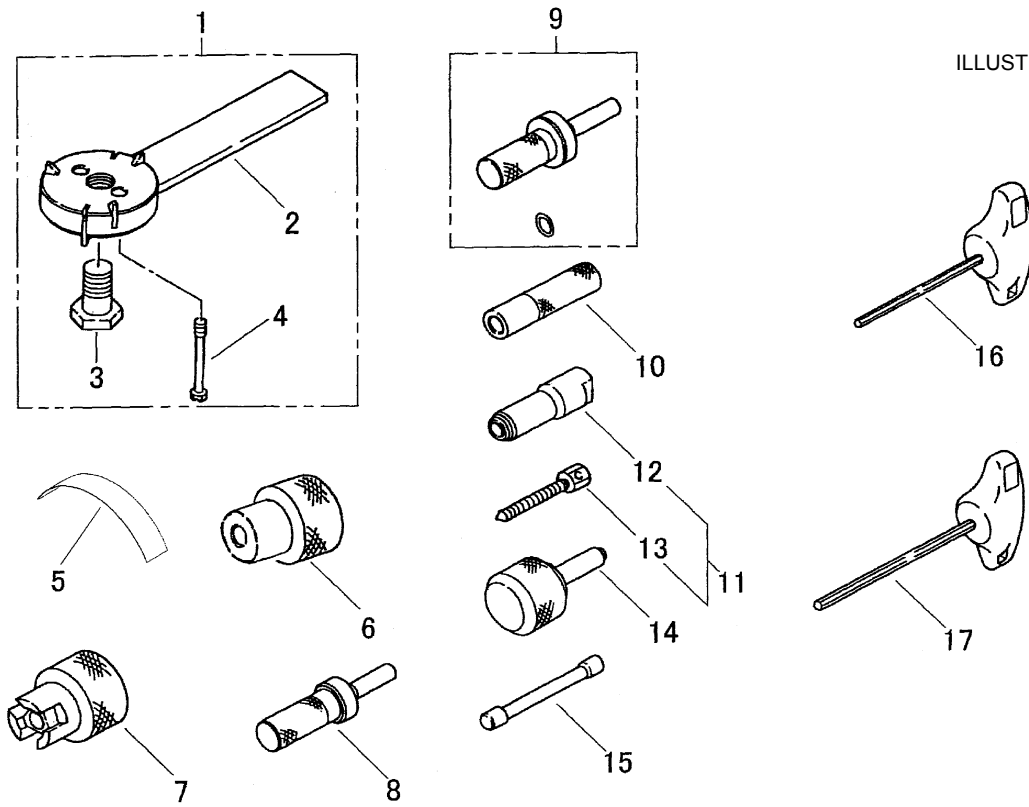


Ref. No	Part No.	Part Name	Q'ty
8-1	69022-81010	CARBURETOR ASSEMBLY	1
2	70030-81380	*SCREEN	1
3	22156-81120	*PUMP COVER ASSEMBLY	1
4	22100-81130	*SCREW	1
5	22128-81140	*GASKET PUMP COVER	1
6	22156-81420	*SPRING IDLE	1
7	22156-81410	*IDLE SCREW	1
8	22128-81150	*DIAPHRAGM PUMP	1
9	20036-81440	*NEEDLE VALVE	1
10	39300-81320	*GASKET	1
11	72342-81270	*SPRING LEVER	1
12	22100-81260	*DIAPHRAGM ASSEMBLY	1
13	22100-81250	*PIN	1
14	22100-81240	*SCREW	1
15	22100-81230	*LEVER	1
16	22100-81280	*COVER DIAPHRAGM	1
17	22100-81410	*SPRING SHAFT	1
18	69018-81310	*SHAFT ASSEMBLY	1
19	20803-81150	*SCREW	3
20	22164-81340	*THROTTLE VALVE	1
22	70030-81390	*ERING	2
23	39007-81320	*CHOKE VALVE	1
24	22180-81460	*SPRING CHOKE	1
25	20036-81185	*WASHER	1

Ref. No	Part No.	Part Name	Q'ty
26	22180-81740	*SHAFT ASSEMBLY	1
27	22180-81471	*LEVER	1
28	22100-81351	*SCREW	4
29	69022-81320	*NEEDLE	1
30	69022-81330	*NEEDLE	1
31	22156-81440	SEAL COLLAR	1
32	39300-98320	GASKET SET	1
5	22128-81140	*GASKET PUMP COVER	1
10	39300-81320	*GASKET	1
33	22128-81910	DIAPHRAGM KIT	1
8	22128-81150	*DIAPHRAGM PUMP	1
12	22100-81260	*DIAPHRAGM ASSEMBLY	1
34	69018-82323	AIR CLEANER UPPER	1
35	69018-82333	AIR CLEANER LOWER	1
36	69018-82361	SCREW	1
37	69018-82340	BRACKET	1
38	69018-82350	BRACKET	1
39	02304-02242	O-RING	1
40	22154-82320	SHUTTER	1
41	22154-82310	AIR CLEANER	1
42	22180-82121	CHOKE ROD	1
43	22180-82130	GROMMET CHOKE	1
44	22154-82150	GROMMET ROD	1
45	69018-83323	THROTTLE ROD	1

PULLER

ILLUSTRATION 10 - REV 10/05

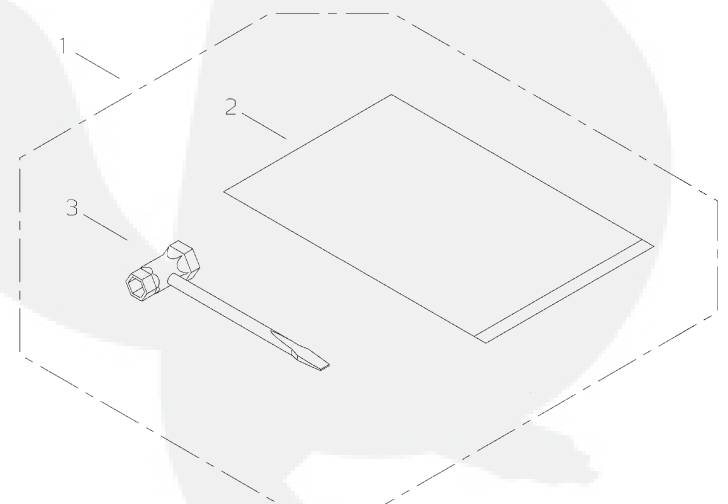


Ref. No	Part No.	Part Name	Q'ty
10- 1	22154-96100	PULLER ASSEMBLY	1
2	22154-96110	*PULLER	1
3	22100-96121	*CENTER BOLT	1
4	22102-96130	*BOLT	2
5	20000-96210	AIR GAP GAUGE	1
6	22154-96220	SET GAUGE	1
7	22154-96410	HOLDER	1
8	22154-96420	ROD OIL SEAL	1
9	22154-96430	ROD BEARING	1

Ref. No	Part No.	Part Name	Q'ty
10	22154-96440	ROD OIL SEAL OUT	1
11	22150-96600	PULLER M ASSEMBLY	1
12	22150-96610	*PULLER M	1
13	22150-96620	*BOLT	1
14	22154-96460	PLUG BUSH	1
15	22155-96240	PISTON STOPPER	1
16	22155-96521	T WRENCH 4	1
17	22155-96531	T WRENCH 5	1

TOOL SET

ILLUSTRATION 9 - REV 10/05



Ref. No	Part No.	Part Name	Q'ty
9- 1	69022-92310	TOOL SET	1
2	19639-01100	*POLY BAG	1
3	22000-91181	*PLUG WRENCH	1

* Denotes item is part of an assembly ** Denotes item is part of a sub-assembly



shindaiwa

www.shindaiwa.com

11975 SW Herman Road, Tualatin, Oregon 97062, U.S.A.

1 + 503.692.3070 • fax 1 + 503.692.6696 •

Item #xxxx Effective 10/05