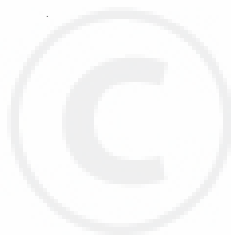


shindaiwa

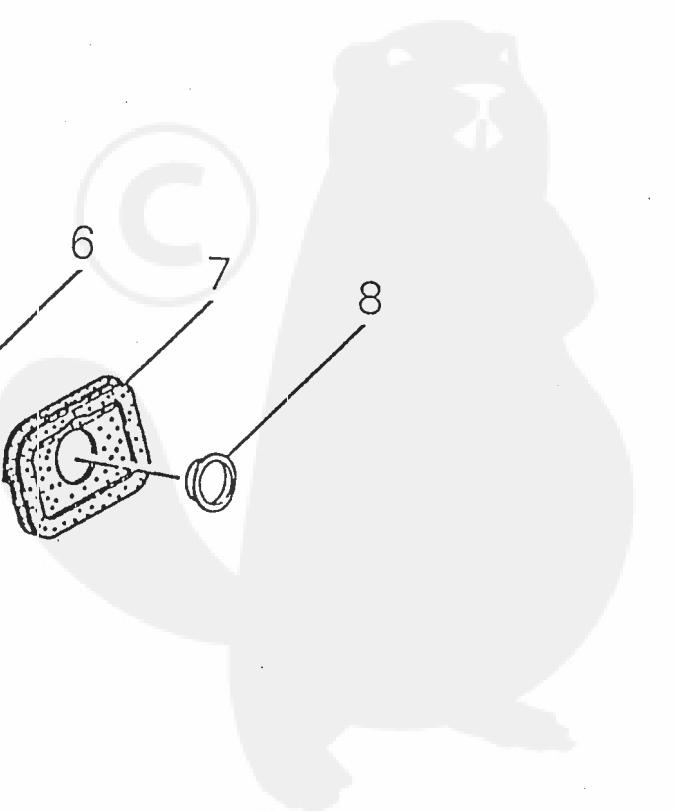
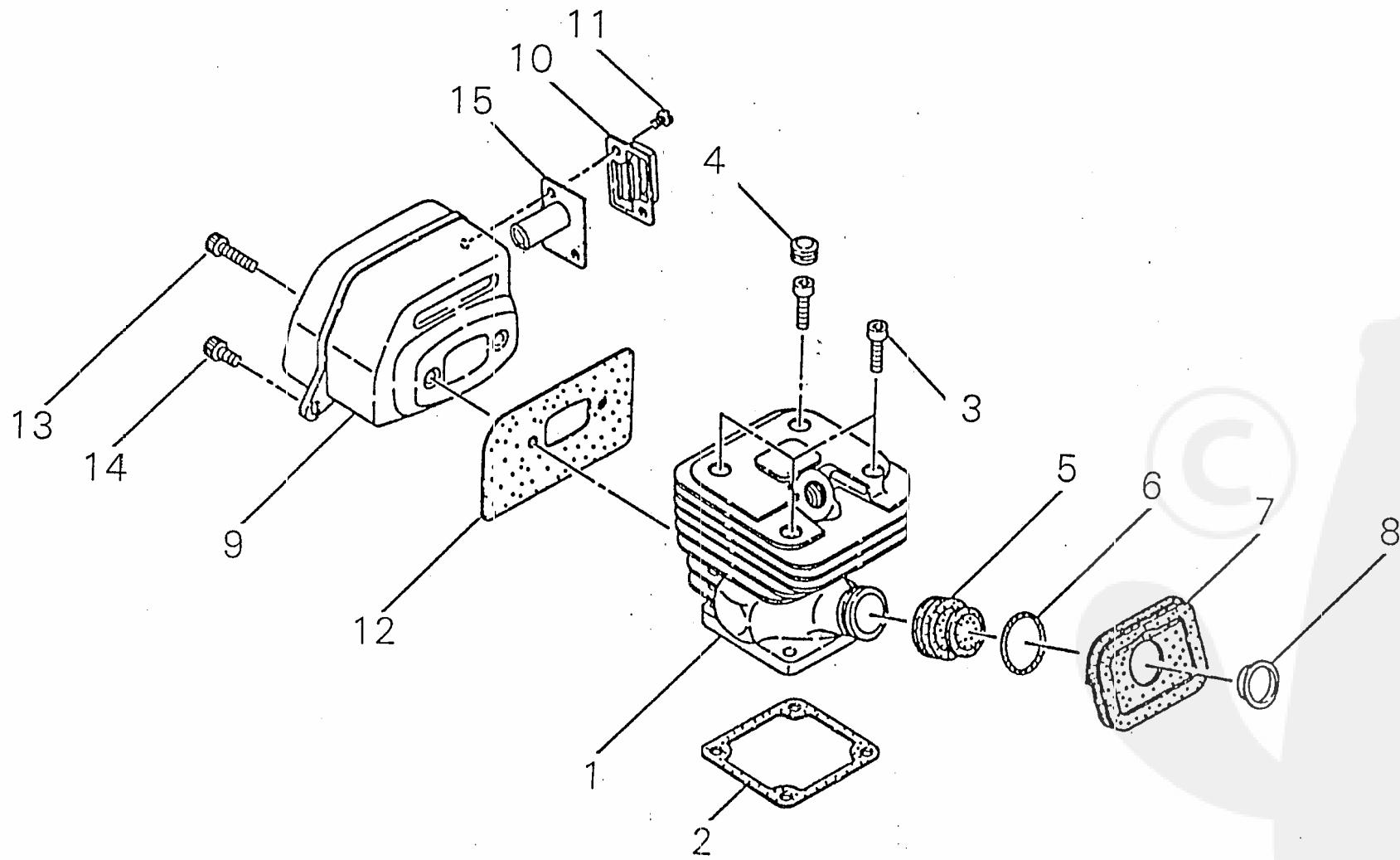
PARTS PRICE LIST

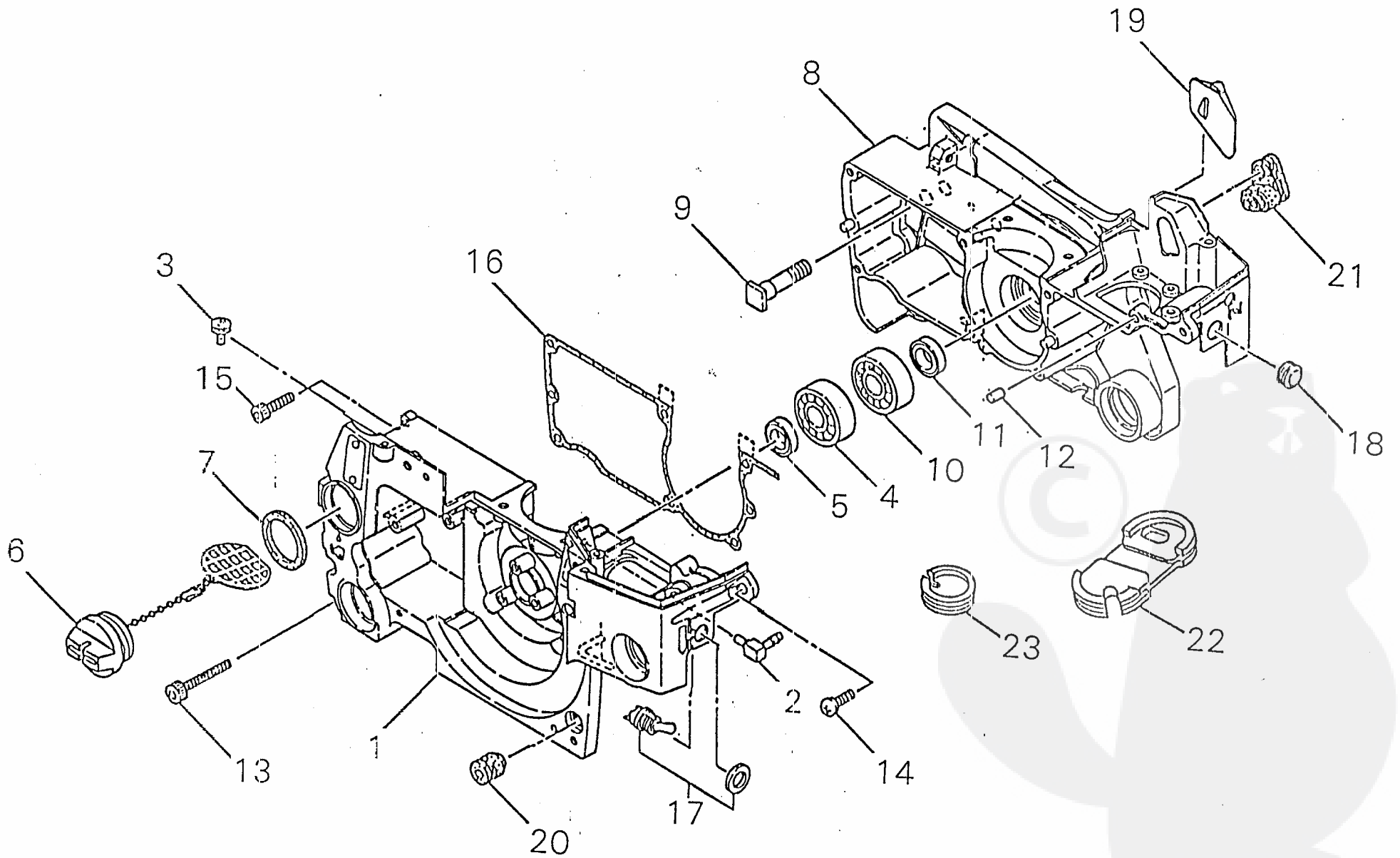
4 8 8



SHIN-DAIWA KOGYO CO., LTD.

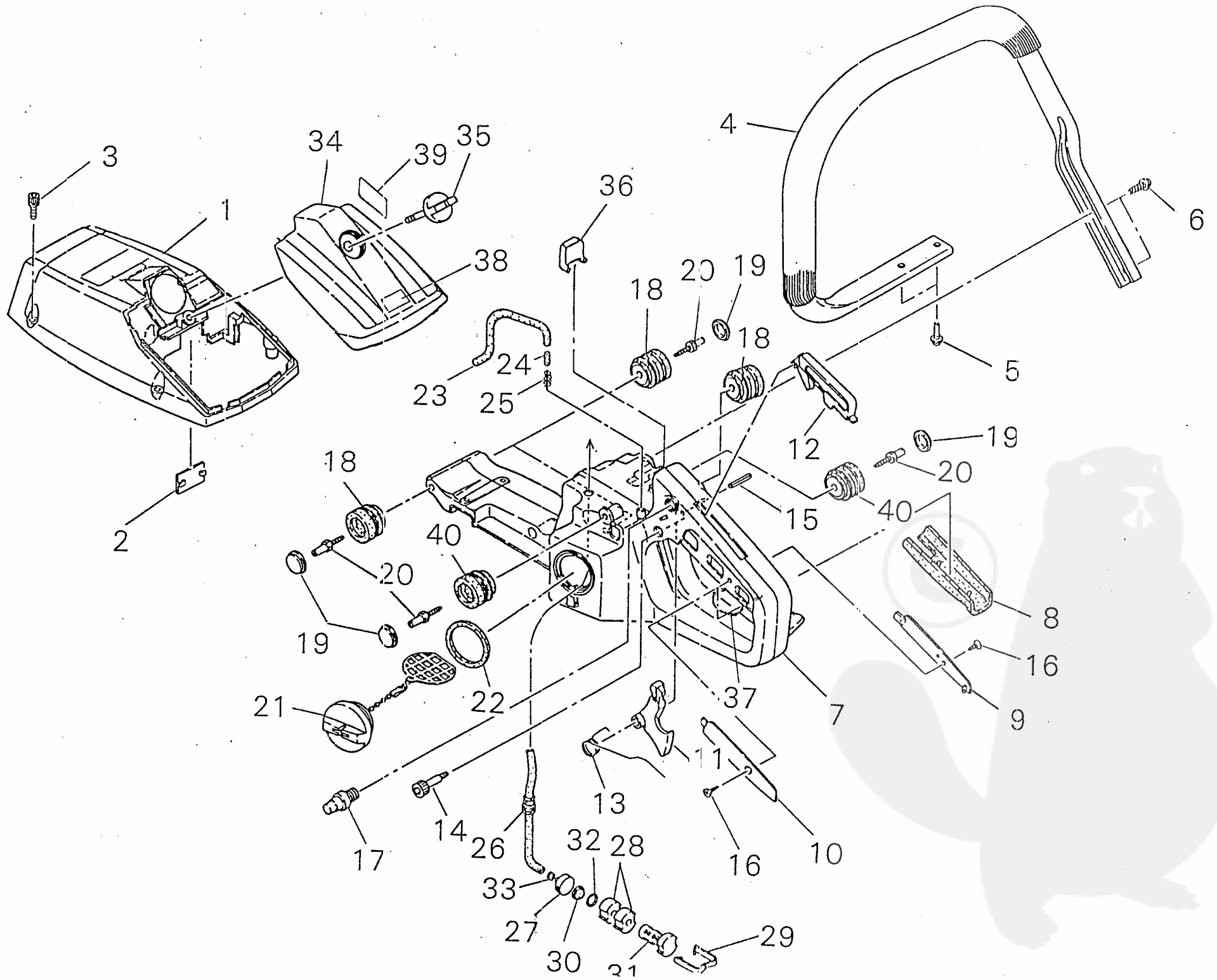
MAY. - 9. 1991





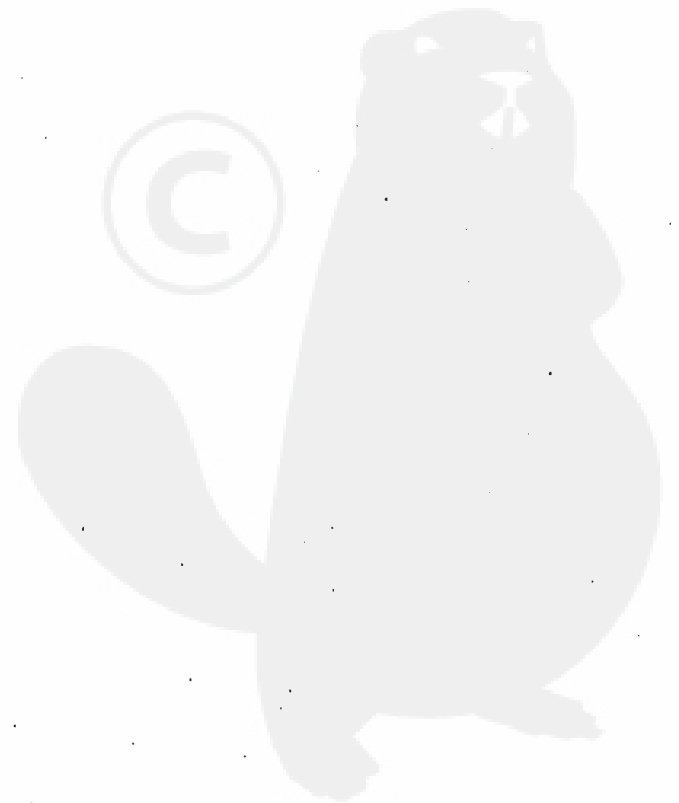
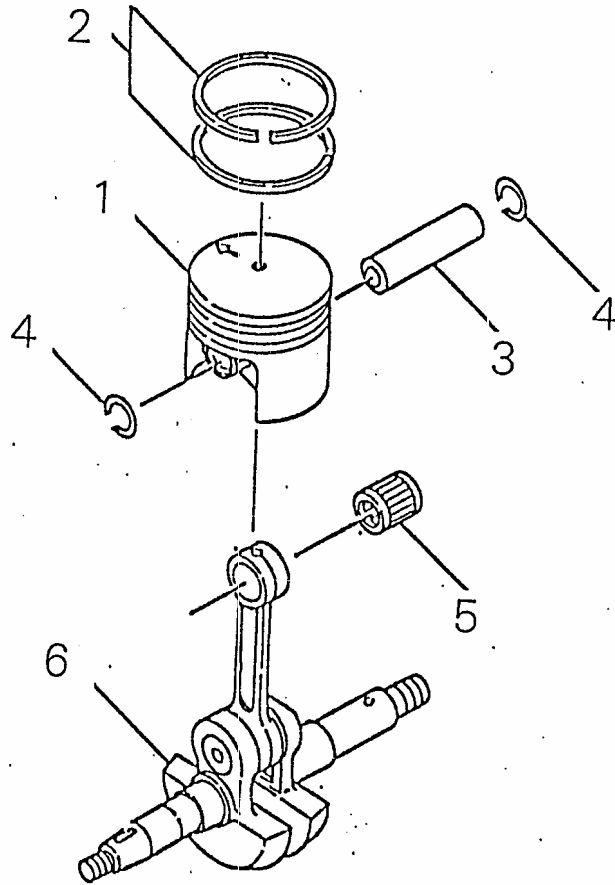
PRICE: (ST)

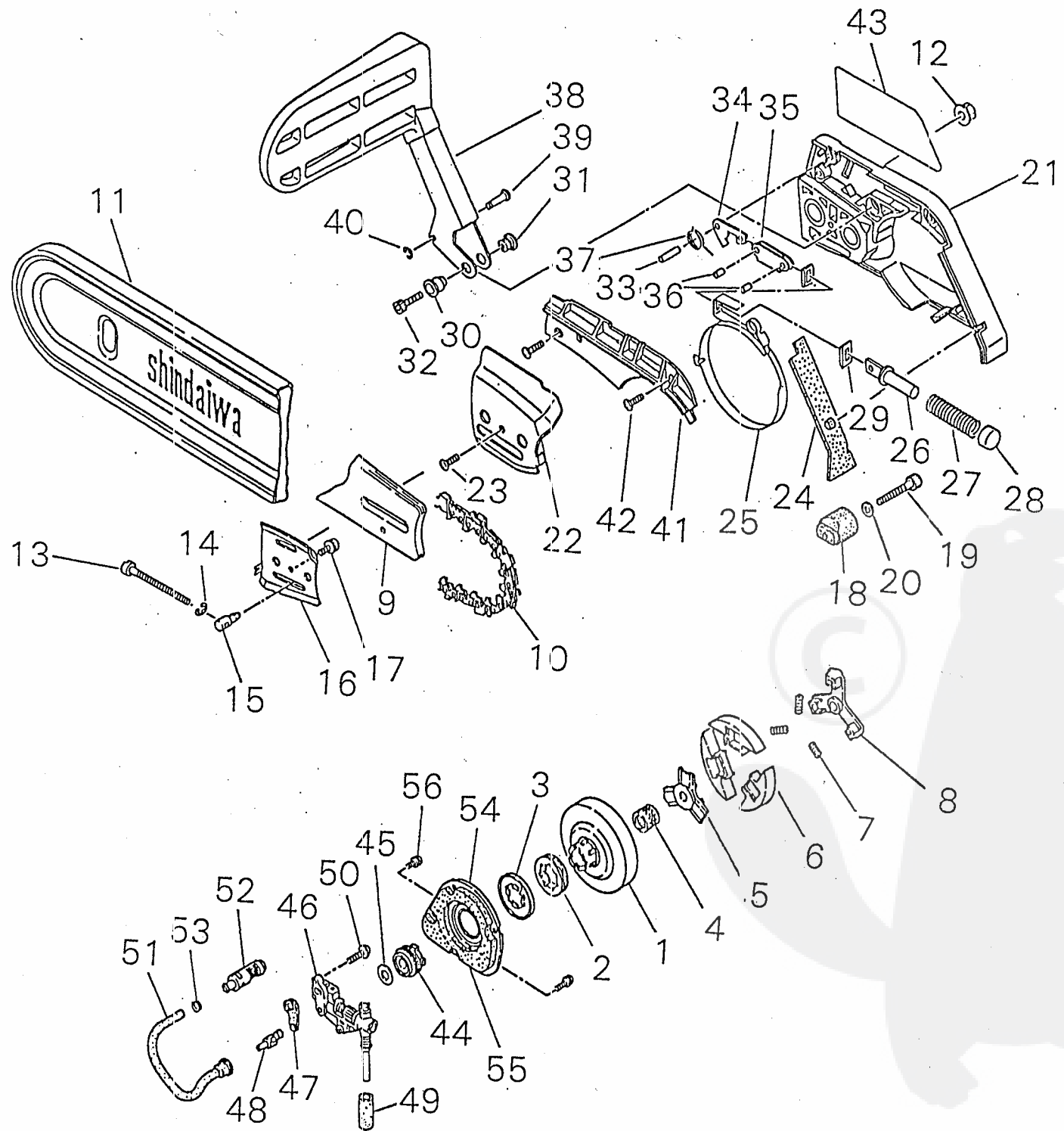
Ref. No.	Part No.	Part Name	Q'ty	Remarks
2-	22160-21202	CRANK CASE M COMP	1	
1	22160-21212	• CRANK CASE M	1	
2	22150-21220	• PULSE JOINT	1	
3	22115-57120	• VALVE OIL TANK	1	
4	02030-06201	• BEARING	1	
5	22150-21250	• OIL SEAL	1	
6	22160-21302	• OIL CAP ASSY	1	
7	22160-21351	• GASKET CAP	1	
	72312-21501	CRANK CASE C COMP	1	
8	22160-21511	• CRANK CASE C	1	
9	72312-21520	• BOLT BAR	2	
10	02030-06201	• BEARING	1	
11	22150-21250	• OIL SEAL	1	
12	20000-21140	• DAWEL PIN	3	
16	22160-21720	GASKET CASE	1	
13	22157-21750	BOLT	4	
14	22157-21760	SCREW PM	1	
15	22157-12130	BOLT	2	
17	72312-22100	SWITCH ASSY	1	
18	22160-22220	PLUG SWITCH	1	
19	22160-22250	STOPPER H	1	
20	22160-33730	SUPPORTER	1	
21	22160-82150	GROMMET CARBURETOR	1	
22	72312-22260	GROMMET A	1	
23	72312-22270	GROMMET B	1	



PRICE:(ST)

Ref. No.	Part No.	Part Name	Q'ty	emarks
3-	22160-31000	COVER ASSY #	1	
1	22160-31110	• CYLINDER COVER	1	
2	22160-31120	• PLUG	1	
3	22160-31150	• BOLT SW	3	
4	22160-32110	FRONT HANDLE	1	
5	22160-32210	SCREW PC	2	
6	22160-32220	SCREW PC	2	
	22160-33103	REAR HANDLE SUB ASSY	1	
7	22157-33200	• REAR HANDLE	1	
8	22160-33310	• GRIP	1	
9	22160-33320	• PLATE R	1	
10	22160-33330	• PLATE L	1	
11	22160-33351	• THROTTLE LEVER	1	
12	22160-33360	• LOCK LEVER	1	
13	22160-33370	• SPRING LEVER	1	
14	22160-33380	• BOLT LEVER	1	
15	12420-40255	• SPRING PIN	1	
16	11202-40120	• SCREW HILO	2	
17	22160-33401	• STOPPER ASSY	1	
36	22160-33590	• STOPPER R	1	
21	22160-33801	• FUEL CAP ASSY	1	
22	22160-33821	•• GASKET	1	
	22160-33901	• BREATHER ASSY	1	
23	22160-33910	•• PIPE BREATHER	1	
24	22157-33950	•• ELEMENT	1	
25	22160-33920	•• SPRING	1	
	22160-34100	• FUEL PIPE ASSY	1	
26	22160-34110	•• FUEL PIPE	1	
	22115-85401	•• FUEL FILTER SUB ASSY	1	
27	22128-85410	•• WEIGHT FUEL	1	
28	22128-85421	•• FILTER	2	
29	22128-85440	•• CLIP FILTER	1	
30	22118-85460	•• SCREEN	2	
31	22128-85470	•• SLEEVE	1	
32	22128-85480	•• RING	1	
33	20020-85540	•• CLIP	1	
18	22160-33710	CUSHION 27	3	
19	22160-33720	PLUG 27	5	



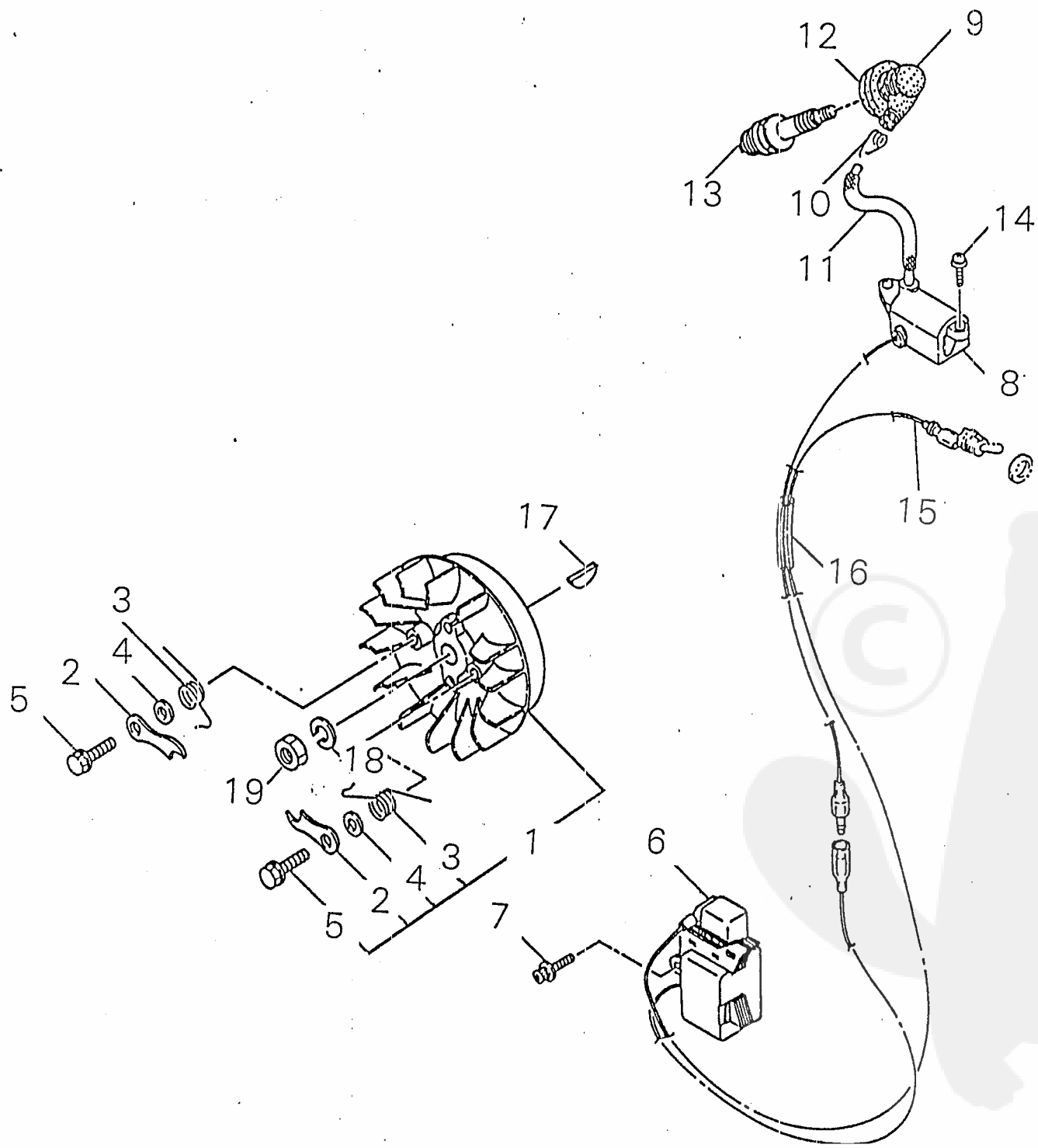


PRICE: (ST)

Ref. No.	Part No.	Part Name	Q'ty	Remarks
5-	22160-51501	CLUTCH DRUM ASSY	1	
1	22160-51511	• CLUTCH DRUM	1	
2	22131-98120	• RIM	1	
3	22160-51530	• COVER	1	
4	22100-51310	NEEDLE BEARING	1	
	22160-51200	CLUTCH ASSY	1	
5	22160-51210	• CLUTCH BOSS A	1	
6	22160-51220	• CLUTCH SHOE	3	
7	22160-51230	• CLUTCH SPRING	3	
8	22160-51240	• CLUTCH BOSS B	1	
9	72316-52120	GUIDE BAR	1	
10	18075-00560	SAW CHAIN	1	
11	72124-52311	PROTECTOR	1	
12	22154-52410	NUT	2	
13	72316-53310	SLIDE SCREW	1	
14	72316-53320	SNAP RING	1	
15	22150-52440	SLIDE PIECE	1	
16	72316-54150	GUIDE PLATE C	1	
17	22160-56150	SCREW PM SW	1	
18	22160-52510	CHAIN CATCHER	1	
19	22155-12190	BOLT	1	
20	01611-05100	WASHER	1	
	72316-54010	• BRAKE ASSY	1	
	72316-54190	• CLUTCH COVER SUB ASSY	1	
21	72316-54110	•• CLUTCH COVER	1	
22	72316-54160	•• GUIDE PLATE D	1	
23	01270-04082	•• SCREW TAPPING	1	
24	72316-54170	•• PROTECTOR	1	
25	72316-54210	• BRAKE BAND	1	
26	72316-54220	• HOLDER SPRING	1	
27	72316-54230	• BRAKE SPRING	1	
28	72316-54240	• STOPPER	1	
29	72316-54310	• ADJUST PLATE	2	
30	72316-54520	• HOLDER	1	
31	72316-54530	• NUT LEVER	1	
32	01020-04120	• BOLT	1	
33	72316-54550	• DAWEL PIN	1	
34	72316-54560	• INNER LEVER	1	

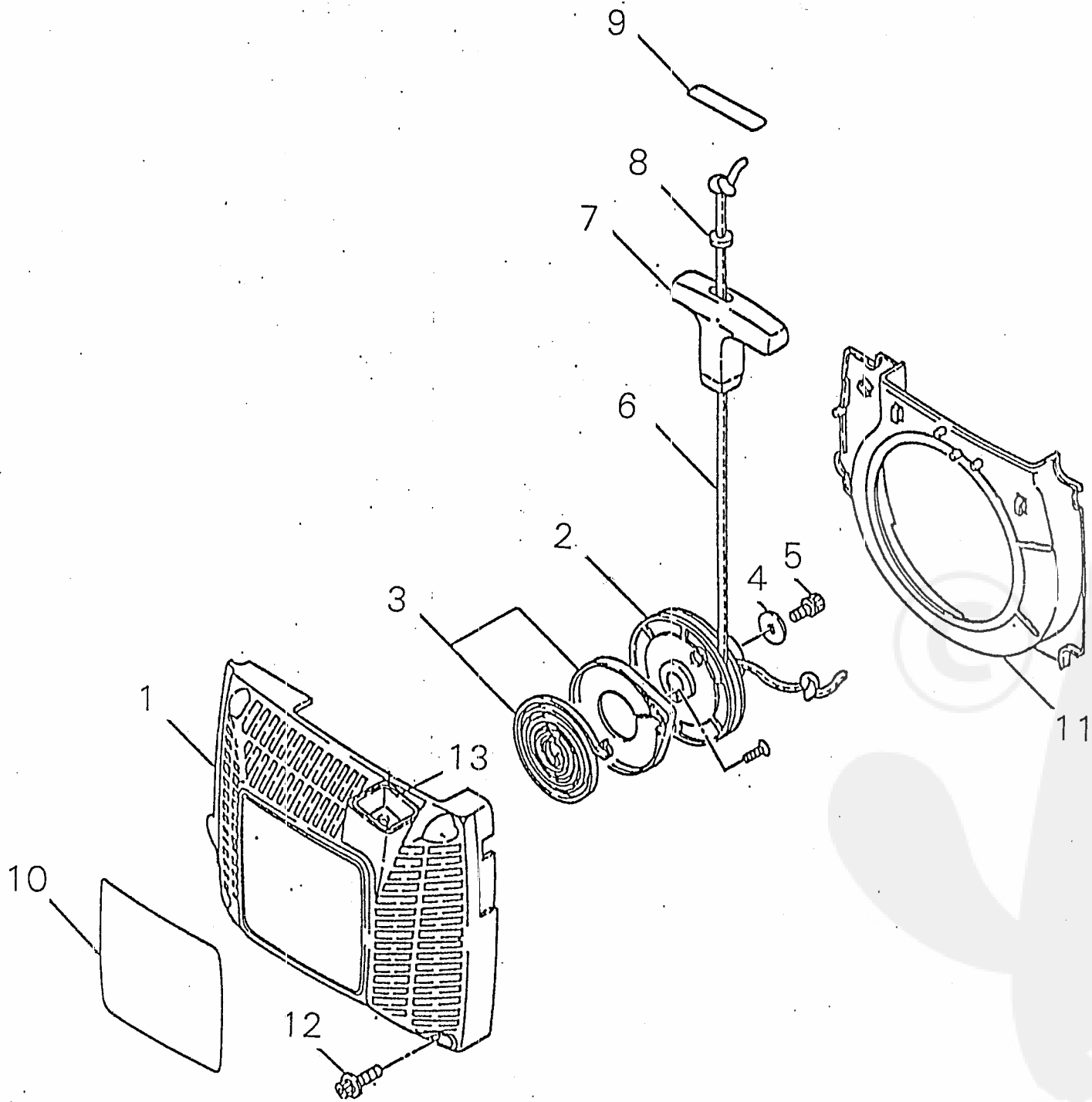
PRICE: (ST)

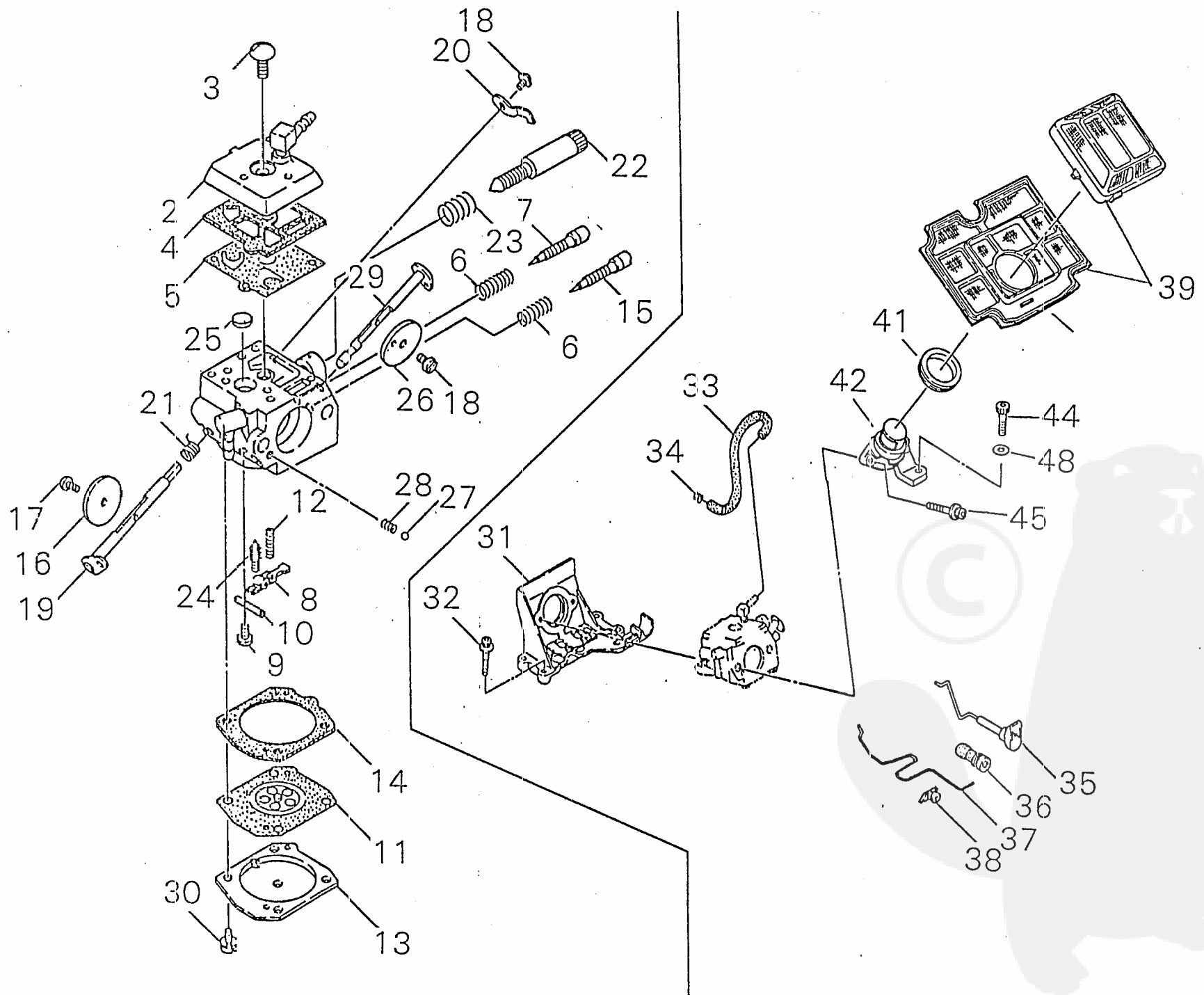
Ref. No.	Part No.	Part Name	Q'ty	Remarks
5- 35	72316-54570	• TIF STRAP	1	
36	70030-21140	• DAWEL PIN	2	
37	72316-54580	• SPRING LEVER	1	
38	72316-54510	• LEVER	1	
39	72316-54540	• PIN LEVER	1	
40	02434-30060	• SNAP RING	1	
41	72316-54610	• COVER	1	
42	01270-04122	• SCREW TAPPING	2	
43	72317-54140	NAME PLATE C	1	
44	22154-55110	GEAR	1	
45	22154-55120	THRUST PLATE	1	
46	22150-55202	OIL PUMP ASSY	1	
47	22150-55411	GASKET PUMP	1	
48	22160-55420	ELBOW	1	
49	22155-55430	FILTER	1	
50	11205-04160	SCREW PM	2	
	22160-55300	OIL PIPE ASSY	1	
51	22160-55310	• OIL PIPE	1	
52	22160-57360	• OIL FILTER	1	
53	22100-57370	• CRIP OIL FILTER	1	
54	22160-56110	PUMP COVER	1	
55	22160-56120	MAT	1	
56	22160-56150	SCREW PM SW	4	



PRICE: (ST)

Ref. No.	Part No.	Part Name	Q'ty	Remarks
6-	1 22160-71100	ROTOR ASSY	1	
	2 22100-71410	• RATCHET	2	
	3 22100-71420	• SPRING RATCHET	2	
	4 22100-71430	• WASHER	2	
	5 22140-71440	• BOLT	2	
	6 22160-71510	EXCITE COIL	1	
	7 11024-04200	BOLT SW	2	
	22160-71900	IGNITION COIL ASSY #	1	
	8 22160-71700	• IGNITION COIL	1	
	9 22160-72220	• PLUG CAP	1	
	10 22154-72230	• SPRING PLUG	1	
	11 22160-72240	• TUBE	1	
	12 22160-72260	• SEAL CAP	1	
	13 13000-13507	SPARK PLUG	1	
	14 11205-04160	SCREW PM	2	
	15 22160-71520	CORD	1	
	16 22160-71530	TUBE	1	
	17 22100-43210	KEY	1	
	18 01600-08201	SPRING WASHER	1	
	19 22100-43231	NUT	1	





PRICE:(ST)

Ref. No	Part No.	Part Name	Q'ty	Remarks
8-	22160-81001	CARBURETOR ASSY	1	
2	22150-81120	• PUMP COVER ASSY	1	
3	22100-81130	• SCREW	1	
4	22150-81140	• GASKET PUMP	1	
5	22150-81150	• DIAPHRAGM PUMP	1	
6	22160-81160	• SPRING NEEDLE	2	
7	22160-81170	• L NEEDLE	1	
8	22150-81230	• LEVER	1	
9	22100-81240	• SCREW	1	
10	22100-81250	• PIN	1	
11	22150-81260	• DIAPHRAGM ASSY	1	
12	22100-81270	• SPRING LEVER	1	
13	22150-81280	• COVER DAIPHFRAGM	1	
14	22150-81290	• GASKET DIAPHRAGM	1	
30	22100-81351	• SCREW ASSY	4	
15	22160-81330	• H NEEDLE	1	
16	22100-81340	• THROTTLE VALVE	1	
17	22150-81420	• SCREW ASSY	1	
18	22100-81360	: SCREW	2	
19	22160-81371	• SHAFT ASSY	1	
20	22160-81390	• STOPPER	1	
21	22150-81430	• RETURN SPRING	1	
22	22156-81410	• IDEL SCREW	1	
23	22156-81420	• SPRING IDLE	1	
24	20036-81440	• NEEDLE VALVE	1	
25	70030-81380	• SCREEN	1	
26	22160-81710	• CHOKE VAI VF	1	
27	22150-81720	• BALL	1	
28	22150-81730	• SPRING	1	
29	22160-81740	• SHAFT ASSY	1	
31	22160-82110	MOUNT	1	
32	11024-04160	BOLT SLPW	4	
	22160-82200	PULSE PIPE COMP	1	
33	22160-82210	• PULSE PIPE	1	
34	22150-82140	• CLIP PULSE	1	
35	22160-82311	CHOKE ROD	1	
36	22160-82321	GROMMET CHOKE	1	
37	22160-82350	THROTTLE ROD	1	

