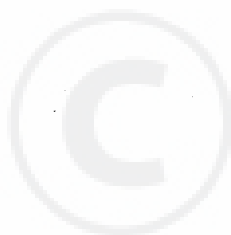


PARTS PRICE LIST

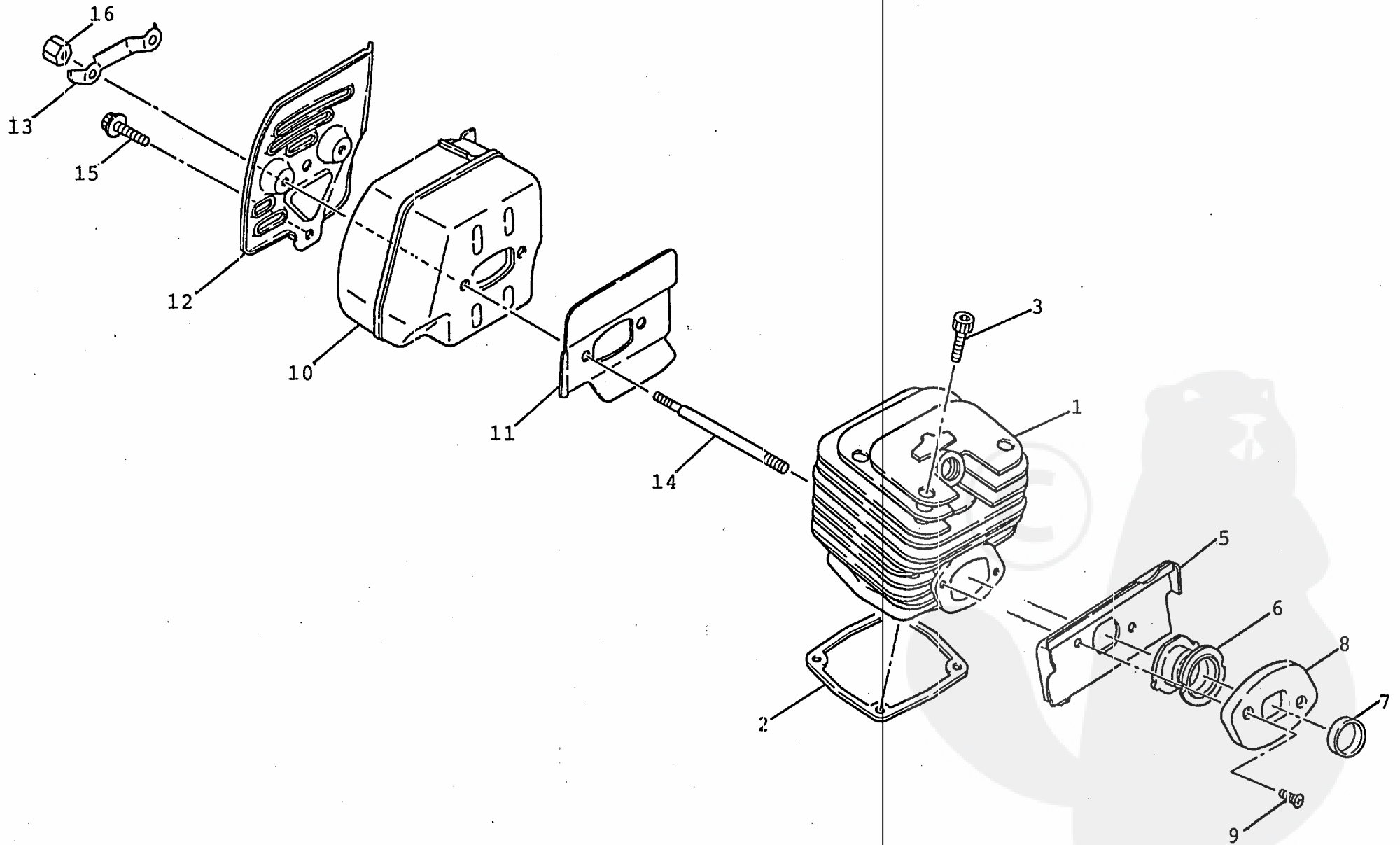
SHINDAIWA

Model: 695



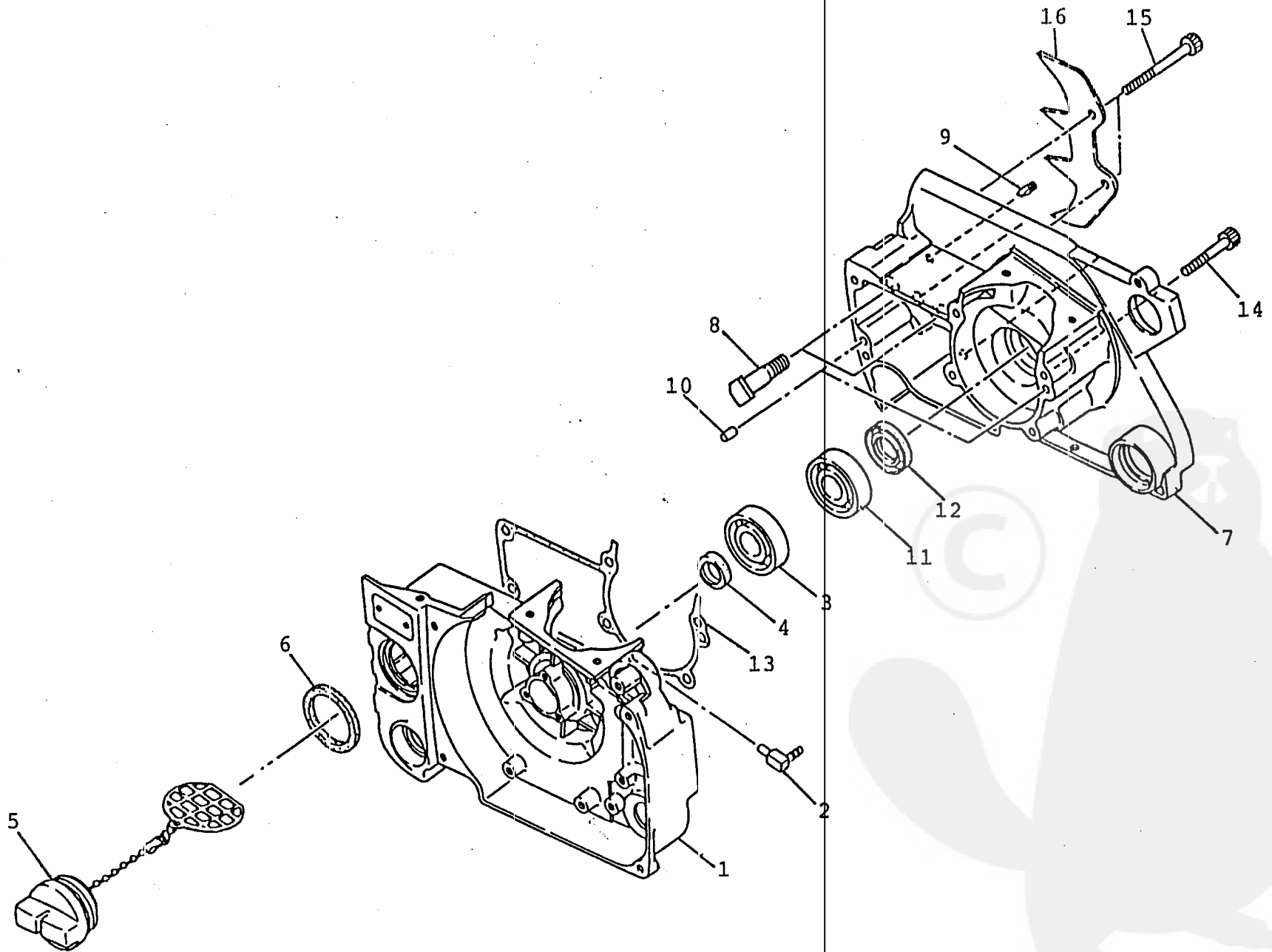
Shin-Daiwa Kogyo Co., Ltd.

SEP. 9TH, 1988



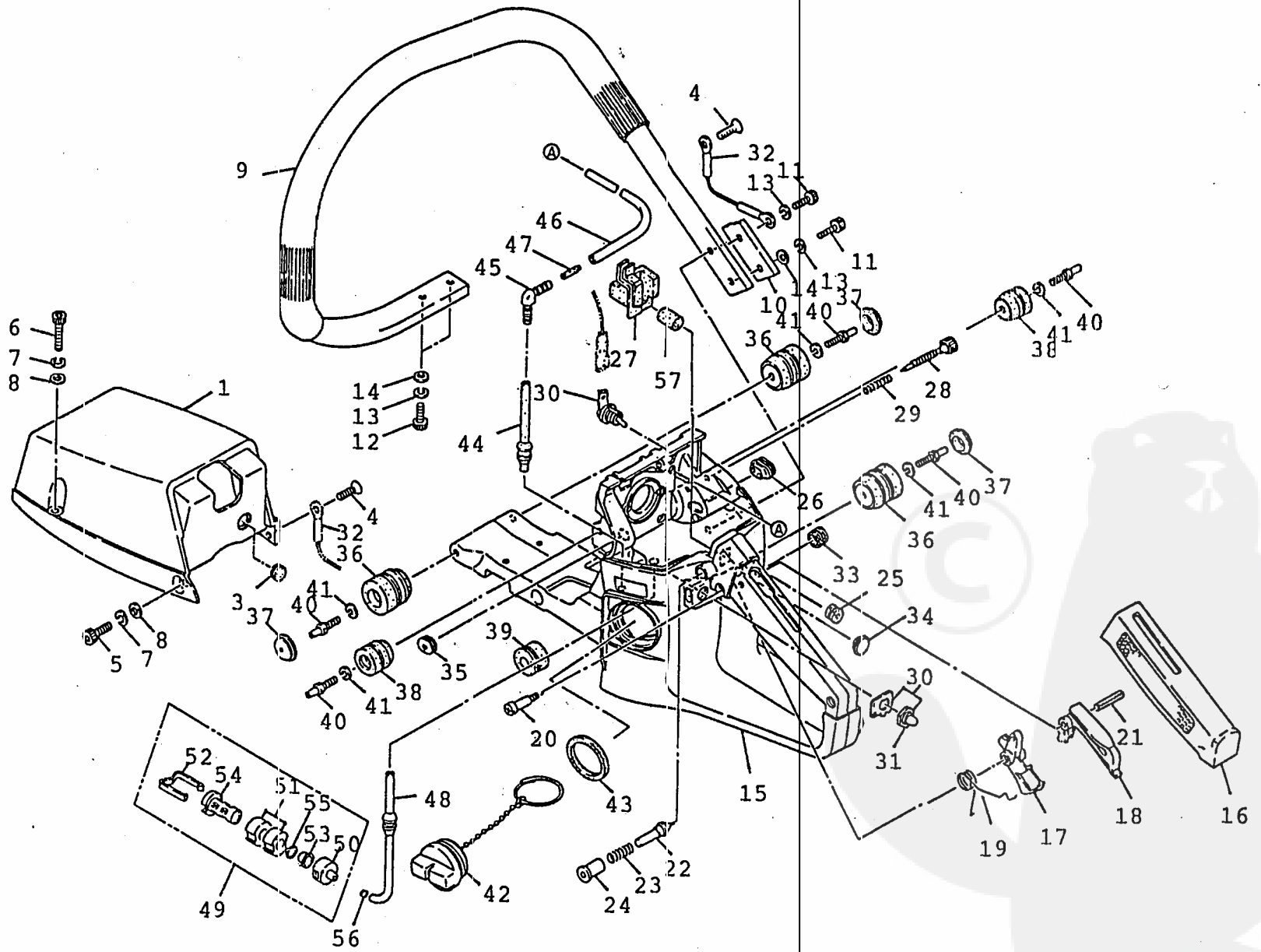
1. CYLINDER
MUFFLER

Ref. No	Part No.	Part Name	Qty	Unit	Remarks
1-	1 22155-12110	CYLINDER	1		-12/11
	2 22150-12120	GASKET	1		
	3 22155-12190	BOLT	4		
	5 22155-12140	BAFFLE PLATE	1		
	6 22150-12151	BOOT	1		
	7 22150-12170	SLEEV	1		
	8 22150-12180	BRACKET	1		
	9 01201-04160	SCREW	2		
	72231-15005	MUFFLER-A	1		
	10 72231-15107	• MUFFLER-SA	1		
	11 22155-15210	• GASKET MUFFLER	1		
	12 22155-15310	• MUFFLER GUARD	1		
	13 22155-15420	• LOCK PLATE	1		
	14 22150-15412	• BOLT	2		
	15 22155-15441	• BOLT	2		
	16 20011-12260	• NUT	2		



2. CRANKCASE

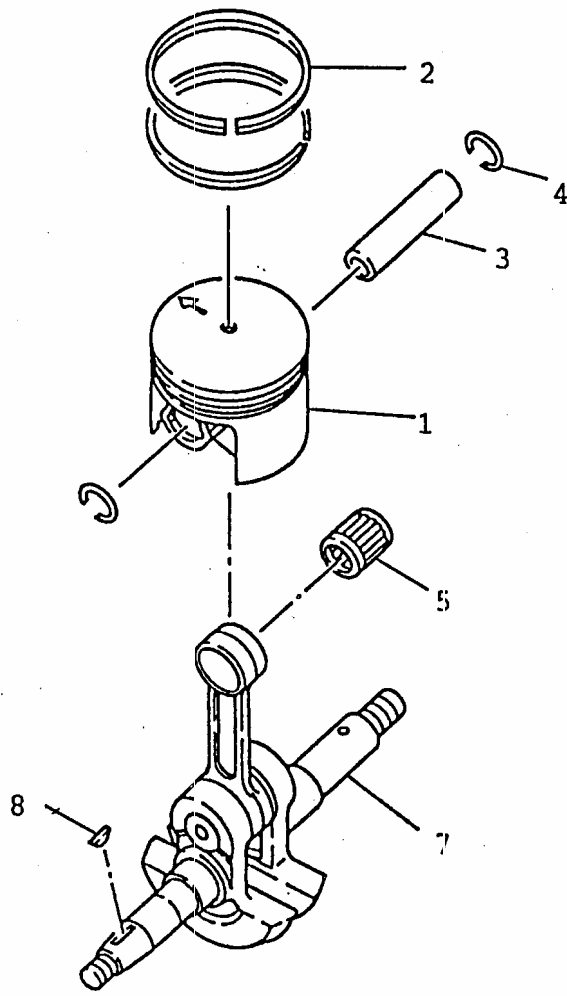
Ref. No	Part No.	Part Name	Q'ty	Remarks
2-	22155-21001	CRANKCASE-A	1	
	22155-21101	• CRANKCASE,M-SA	1	
	22155-21201	•• CRANKCASE,M-C	1	
1	22150-21212	∴ CRANK CASE,M	1	
2	22150-21220	∴ PULSE JOINT	1	
3	02030-06202	∴ BEARING	1	
4	22155-21250	∴ OIL SEAL	1	
5	22155-21300	•• OIL CAP-A	1	
6	22150-21340	∴ GASKET	1	
	22155-21500	• CASE,C-C	1	
7	22150-21511	•• CASE,C	1	
8	22150-21521	•• BOLT,BAR	2	
9	22150-21610	•• VALVE,OIL	1	
10	20000-21140	•• DAWEL PIN	2	
11	02030-06202	•• BEARING	1	
12	22155-21630	•• OIL SEAL	1	
13	22150-21711	• GASKET,CASE	1	
14	01020-05350	• BOLT	4	
15	01020-05500	• BOLT	2	
16	72230-52630	SPIKE	1	



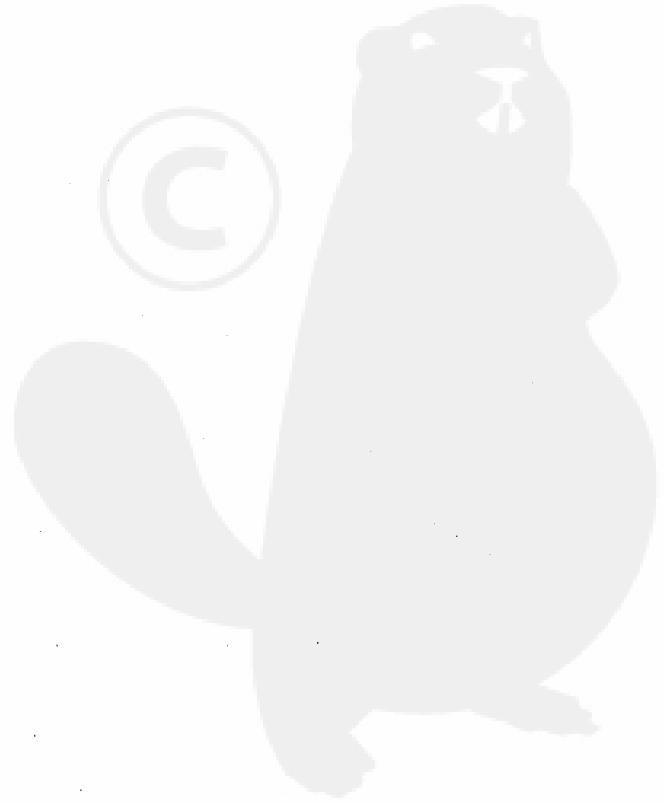
3. HANDLE

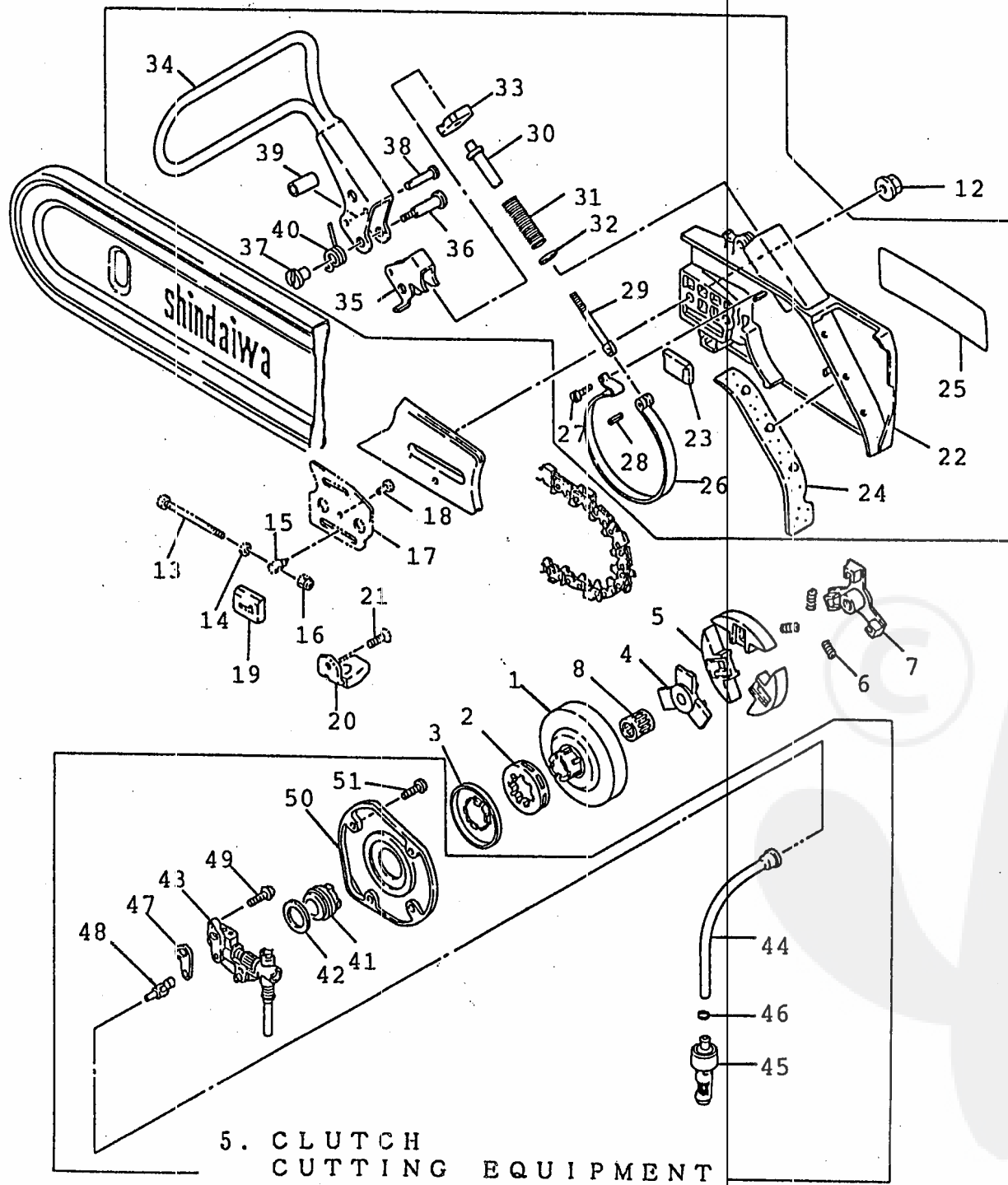
Ref. No	Part No.	Part Name	Q'ty	Remarks
3- 1	22155-31110	COVER	1	
3	22102-32140	PLUG BRACKET	1	
4	22155-31310	SCREW	1	
5	01020-05160	BOLT	1	
6	01020-05250	BOLT	1	
7	01600-05131	SPRING WASHER	2	
8	01610-05080	WASHER	2	
9	22150-32112	FRONT HANDLE	1	
10	22150-32120	BRACKET	1	
11	22155-32190	BOLT	2	
12	01020-05160	BOLT	2	
13	01600-05131	SPRING WASHER	4	
14	01610-05080	WASHER	3	
	22150-33101	REARHANDLE-SA	1	
15	22150-33201	• REAR HANDLE-C	1	
16	22150-33310	• GRIP,HANDLE	1	
17	22150-33321	• THROTTLE LEVER	1	
18	22150-33331	• LOCK LEVER	1	
19	22150-33340	• SPRING LEVER	1	
20	22150-33360	• BOLT,LEVER	1	
21	02427-50225	• SPRING PIN	1	
22	72171-33170	• STOPPER	1	
23	22100-33180	• SPRING	1	
24	22100-33190	• KNOB STOPPER	1	
25	22150-33410	GROMMET,CHOK	1	
26	22150-33420	GROMMET,CARB	1	
27	22150-33430	GROMMET,ROD	1	
28	22155-33450	ADJUST SCREW	1	
29	22155-33460	SPRING ADJUST	1	
30	22155-33501	SWITCH-A	1	
31	22155-33530	• NUT	1	
32	22150-33610	EARTH CORD	1	
33	72930-12150	GROMMET,A	1	
34	22150-33630	PLUG	1	
35	22150-33640	GROMMET	1	
36	22155-33710	CUSHION 26	3	
37	22150-33720	PLUG,(26)	3	
38	72230-33730	CUSHION 22	2	

Ref. No.	Part No.	Part Name	Q'ty	Remarks
3- 59	22150-33740	PLUG 22	2	
39	22150-33750	SUPPORTER	1	
60	22150-33761	STOP BOLT,22	2	
40	22150-33770	STOPPER BOLT 26	3	
41	01600-05131	SPRING WASHER	5	
42	22155-33801	FUEL CAP-A	1	
43	22150-21340	GASKET	1	
	22155-33900	BREATHER-A	1	
44	22150-33920	PIPE	1	
	22155-33990	BREATHER-SA	1	
45	22155-33930	JOINT	1	
46	22150-33940	PIPE BREATHER	1	
47	22155-33950	ELEMENT	1	
	22150-34101	FUEL PIPE-A	1	
48	22150-34110	FUEL PIPE	1	
49	22115-85401	FUEL FILTER-SA	1	
50	22128-85410	WEIGHT FUEL	1	
51	22128-85421	FILTER	2	
52	22128-85440	CLIP FILTER	1	
53	22118-85460	SCREEN	2	
54	22128-85470	SLEEVE	1	
55	22128-85480	RING	1	
56	20020-85540	CLIP	1	
57	72231-33440	ELEMENT,ROD	1	



4. PISTON
CRANKSHAFT

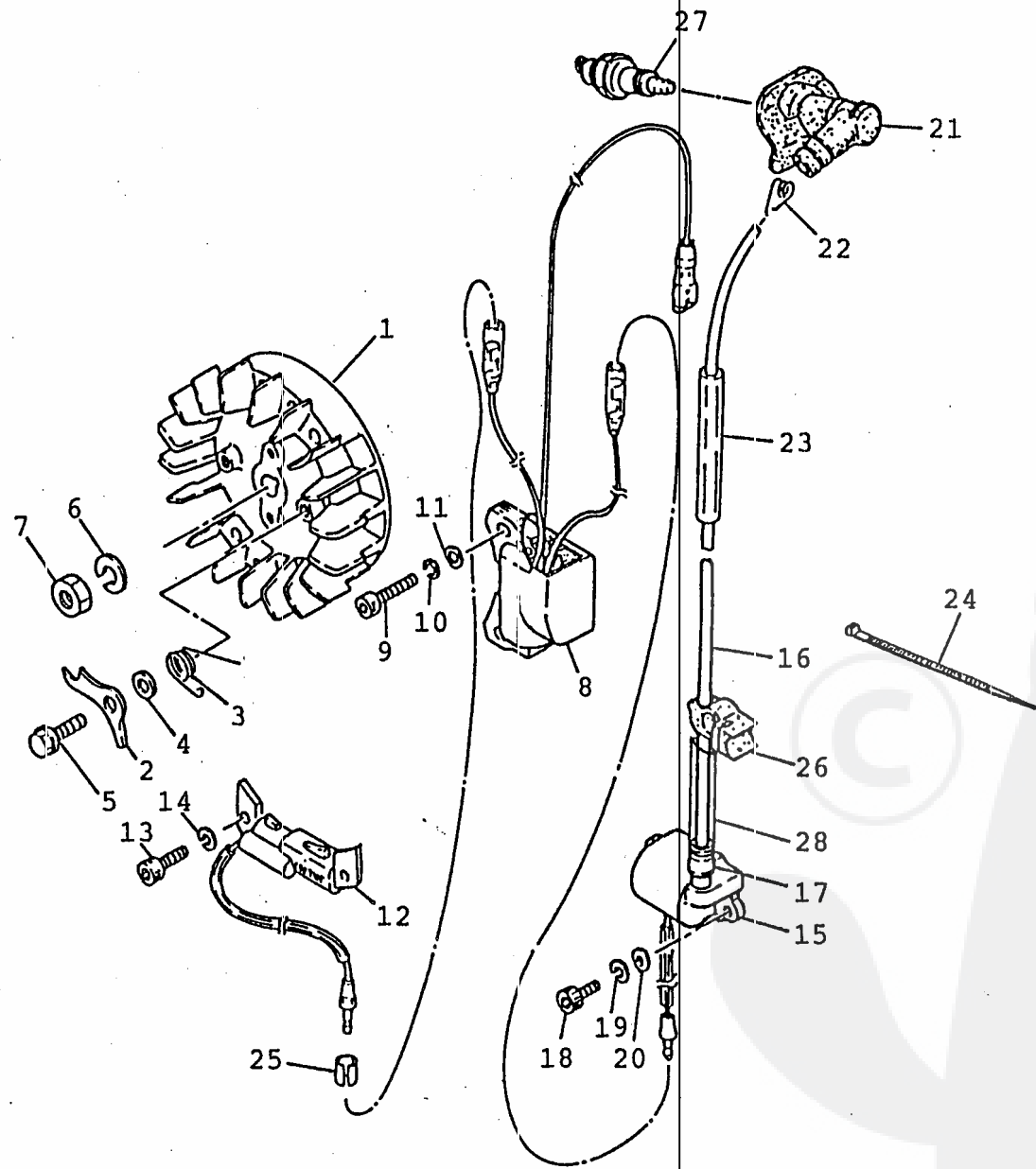




5. CLUTCH CUTTING EQUIPMENT

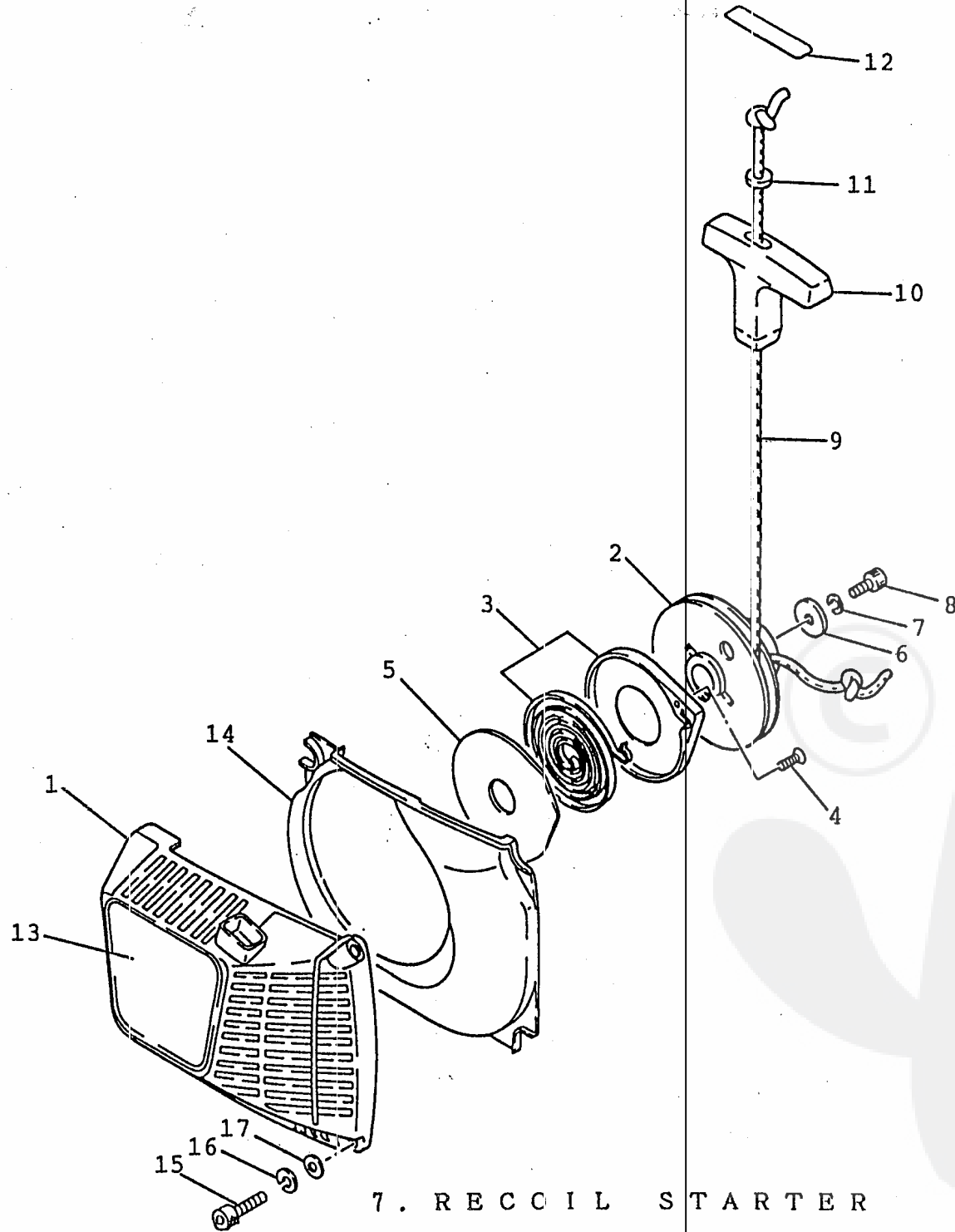
Ref. No	Part No.	Part Name	Q'ty	Remarks
5-	22155-51500	CLUTCH DRUM-A	1	
1	22150-51510	CLUTCH DRUM	1	
2	22150-51520	• RIM	1	
3	22155-51530	• COVER	1	
52	22155-51550	FILTER B	1	
	22155-51200	CLUTCH-A	1	
4	22155-51210	• CLUTCH BOSS A	1	
5	22155-51220	• CLUTCH SHOE	3	
6	22150-51230	• CLUTCH SPRING	3	
7	22155-51240	• CLUTCH BOSS B	1	
8	22150-51310	BEARING	1	
9	72268-52720	GUIDE BAR (18")	1	
10	18039-00640	SAW CHAINE (73LG-64E)	1	
11	22150-52310	PROTECTOR	1	
12	22150-52411	NUT	2	
13	22155-53310	SLIDE SCREW	1	
14	01610-05080	WASHER	1	
15	22150-52440	SLIDE PIECE	1	
16	22100-53330	LOCK NUT	1	
17	22150-52460	MOUNT GUARD	1	
18	11205-04100	SCREW-PM	1	
19	22150-52470	CHAIN PAT	1	
20	22155-52510	CHAIN CATCHER	1	
21	01201-05120	SCREW	1	
	72282-54000	BRAKE ASSY	1	
	72282-54900	CLUTCH COVER SUB ASSY	1	
	22155-54100	• CLUTCH COVER-SA	1	
22	22150-54111	• COVER	1	
23	22150-52470	• CHAIN PAT	1	
24	22150-54160	• PROTECTOR	1	
25	72282-54140	• NAME PLATE-C	1	
26	22150-54211	• BRAKE BAND	1	
27	22120-54220	• BOLT BAND	1	
28	02427-40125	• PIN	1	
29	22150-54311	• ADJUST ROD	1	
30	22150-54320	• ADJUST SCREW	1	
31	22150-54330	• BREAK SPRING	1	
32	22150-54340	• WASHER	1	

Ref. No	Part No.	Part Name	Q'ty	Remarks
5- 33	22150-54410	• BROCK	1	
34	72231-54510	• LEVER	1	
35	22150-54520	• INNER LEVER	1	
36	72231-54580	• BOLT, LEVER	1	
37	72231-54590	• NUT, LEVER	1	
38	72231-54610	• STOPPER PIN	1	
39	72231-54620	• COLLAR	1	
40	22150-54630	• SPRING, LEVER	1	
41	22155-55110	GEAR	1	
42	22150-55120	THRUST PLATE	1	
43	22150-55202	OIL PUMP ASSY	1	
	22150-55302	OIL PIPE-A	1	
44	22150-55312	OIL PIPE	1	
45	22150-57361	• OIL FILTER	1	
46	22100-57370	• CRIP, OIL FILTER	1	
47	22150-55411	GASKET, PUMP	1	
48	22150-55421	ELBOW	1	
49	11205-04160	SCREW-PM	2	
53	22155-55430	FILTER	1	
50	22155-56100	PUMP COVER -SA	1	
51	11205-04100	SCREW-PM	4	



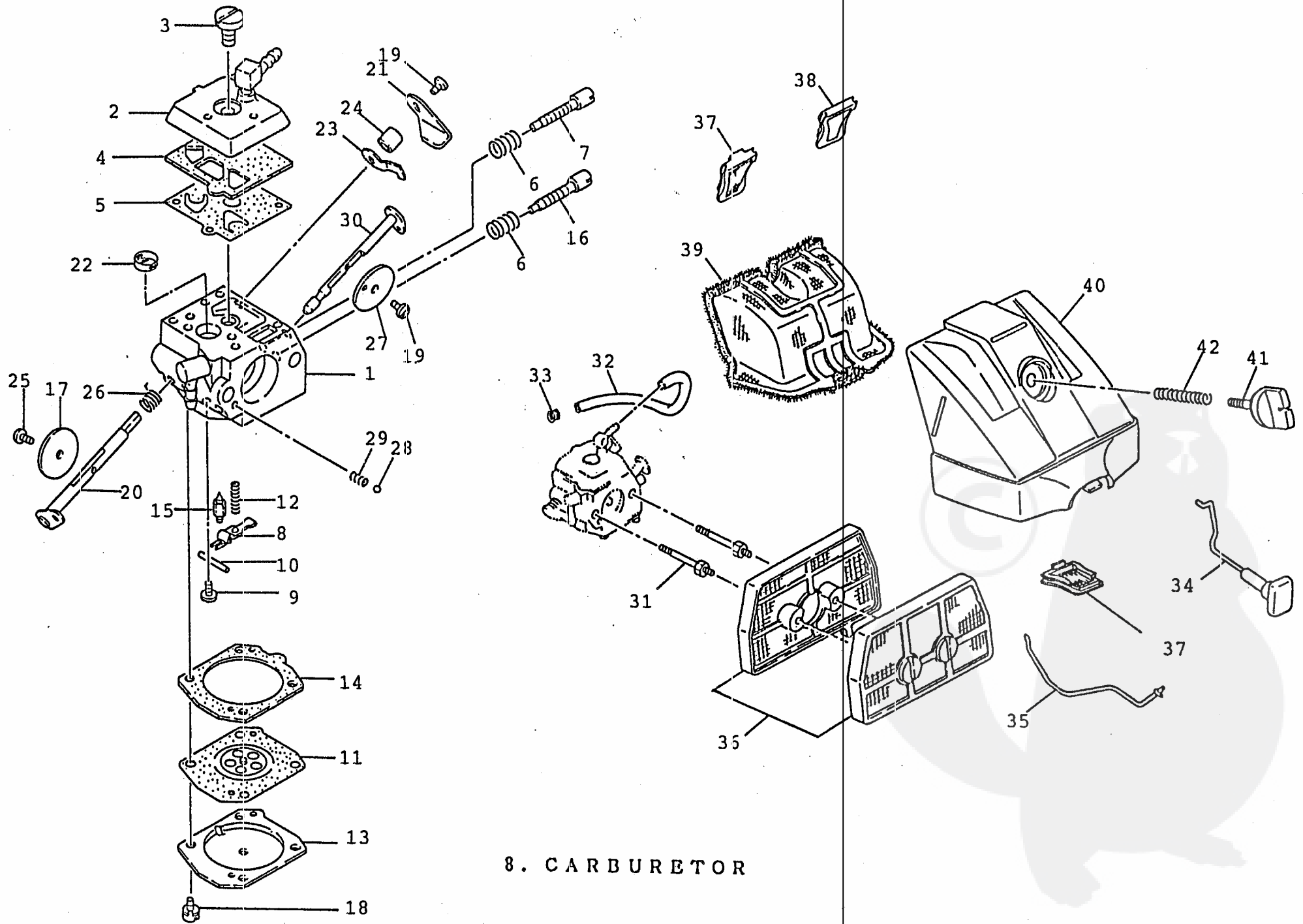
6. MAGNETO

Ref. No	Part No.	Part Name	Q'ty	Remarks
6-	22155-71101	ROTOR-A	1	
1	22155-71111	• ROTOR	1	
2	22150-71120	• RATCHET	2	
3	22155-71130	• SPRING	2	
4	22100-71430	• WASHER	2	
5	22100-71441	• BOLT	2	
6	01600-08201	SPRING WASHER	1	
7	22100-43231	NUT	1	
8	72231-71510	COIL	1	
9	01020-05200	BOLT	2	
10	01600-05131	SPRING WASHER	2	
11	01610-05080	WASHER	2	
12	22155-71600	PULSER COIL	1	
13	01020-04140	BOLT	2	
14	01600-04101	SPRING WASHER	2	
	22150-71700	IGNITION COIL	1	
15	22150-71710	• IGNITION COIL	1	
16	22150-71720	• CORD	1	
17	22150-71730	• CAP	1	
18	01020-04140	BOLT	2	
19	01600-04101	SPRING WASHER	2	
20	20010-71650	WASHER	2	
21	22155-72220	PLUG CAP	1	
22	20000-72230	SPRING PLUG	1	
23	22155-72250	PIPE CORD	1	
24	20040-83150	CLAMP	2	
26	22155-72270	GROMMET H	1	
27	22155-73110	SPARK PLUG	1	NGK BDMR7A 13000-13507
28	22155-72280	PIPE CORD B	1	



7. RECCIL STARTER

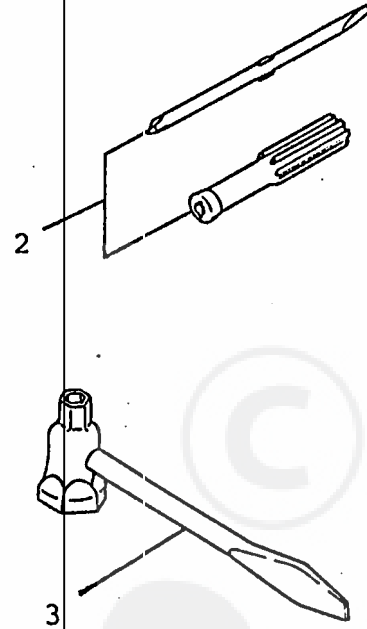
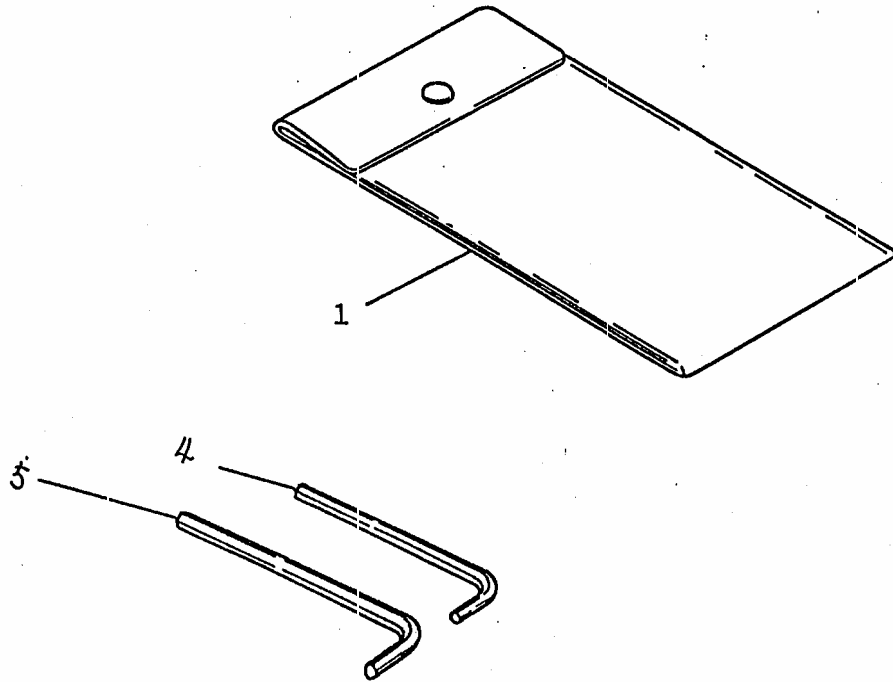
Ref. No	Part No.	Part Name	Q'ty	Remarks
7-	72282-75000	RECOIL STARTER ASSY	1	72269-75000
	72282-75900	• RECOIL STARTER -SA	1	" - 75900
	22152-75100	∴ STATER-SA	1	72230-7510A
1	22150-75211	∴ RECOIL CASE	1	
2	22150-75310	∴ REEL	1	
3	22155-75410	∴ RECOIL SPRING	1	
4	01201-03100	∴ SCREW	1	
5	22150-75431	∴ SLIDE PLATE	1	
6	22150-75450	∴ WASHER	1	
7	01600-05131	∴ SPRING WASHER	1	
8	01020-05120	∴ BOLT	1	
9	22150-75510	∴ ROPE	1	
10	22150-75520	∴ KNOB,RECOIL	1	
11	22150-75530	∴ STOPPER,KNOB	1	
12	20010-75230	∴ TAPE	1	
13	72282-75230	∴ NAME PLATE-R	1	
14	22155-75610	• AIR PLATE	1	
15	01020-05200	• BOLT	4	
16	01600-05131	• SPRING WASHER	4	
17	01610-05080	• WASHER	4	



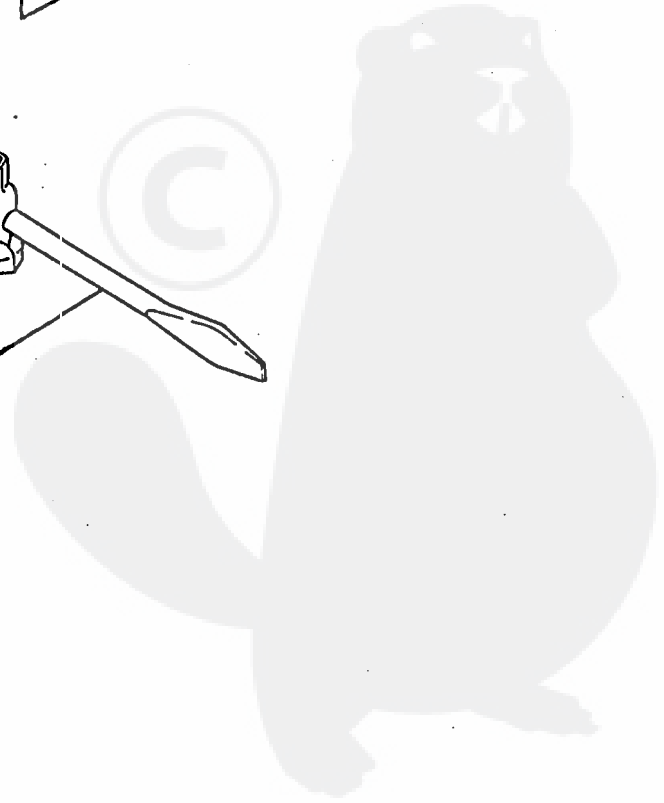
8. CARBURETOR

Ref. No	Part No.	Part Name	Q'ty	Remarks
8-	22150-81001	CARBURETOR-A	1	
1	22150-81110	• BODY-A	1	
2	22150-81120	• PUMP COVER-A	1	
3	22150-81130	• SCREW	1	
4	22150-81140	• GASKET	1	
5	22150-81150	• DIAPHRAGM	1	
6	22100-81160	• SPRING L	2	
7	22150-81170	• L,NEEDLE	1	
8	22150-81230	• LEVER	1	
9	22100-81240	• SCREW	1	
10	22100-81250	PIN	1	
11	22150-81260	• DIAPHRAGM-A	1	
12	22150-81270	• SPRING	1	
13	22150-81280	• COVER	1	
14	22150-81290	• GASKET	1	
15	20036-81440	• NEEDLE VALVE	1	
16	22150-81331	• H,NEEDLE	1	
17	22150-81340	• THROTTLE VALVE	1	
18	22100-81351	• SCREW	4	
19	22100-81360	• SCREW	2	
20	22150-81370	• SHAFT-A	1	
21	22150-81380	• THROTTLE LEVER	1	
22	70030-81380	• SCREEN	1	
23	22150-81390	• STOPPER	1	
24	22150-81410	• SPACER	1	
25	22150-81420	• SCREW-A	1	
26	22150-81430	• RETURN SPRING	1	
27	22150-81710	• CHOKE VALVE	1	
28	22150-81720	• BALL	1	
29	22150-81730	• SPRING	1	
30	22150-81740	• SHAFT-A	1	
31	22150-82610	BOLT CARB	2	
32	22155-82111	PULSE PIPE	1	
33	22150-82140	CLIP PIPE	1	
34	22150-82120	CHOKE ROD	1	
35	22150-82130	THROTTLE ROD	1	
36	22150-82301	AIR CLEANER-C	1	
37	22150-82411	SUB CLEANER	2	

Ref. No.	Part No.	Part Name	Q'ty	Remarks
8- 38	22150-82420	PLUG	1	
39	72231-82450	DUST CREAMER	1	
	22155-82501	COVER-A	1	
40	22155-82510	• CLEANER COVER	1	
41	22155-82520	• KNOB CLEANER COVER	1	
42	22150-82530	• SPRING	1	
	22150-81930	GASKET KIT	1	
4	22150-81140	• GASKET	1	
14	22150-81290	• GASKET	1	
	22150-81940	DIAPHRAGM KIT	1	
5	22150-81150	• DIAPHRAGM	1	
11	22150-81260	• DIAPHRAGM-A	1	



9. TOOL



Ref. No	Part No.	Part Name	Q'ty	Remarks
9-	72297-91000	TOOL SET	1	
1	22154-91110	• TOOL BAG	1	
2	22150-91160	• DRIVER	1	
3	22150-91410	• PLUG WRENCH	1	
4	22100-91551	• WRENCH 3	1	
5	22100-91561	• WRENCH 4	1	