

PARTS PRICE LIST

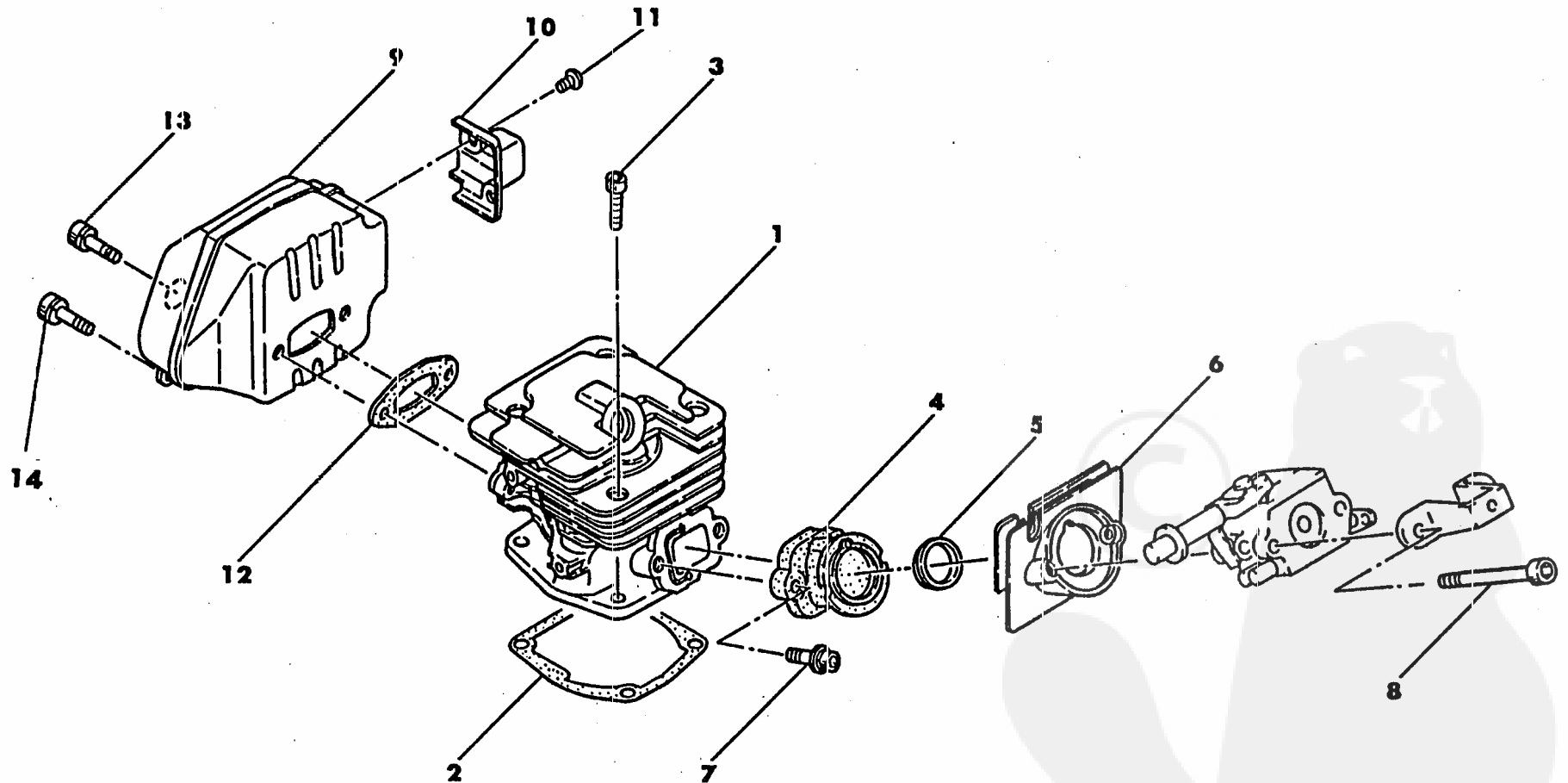
SHINDAIWA

Model: 360



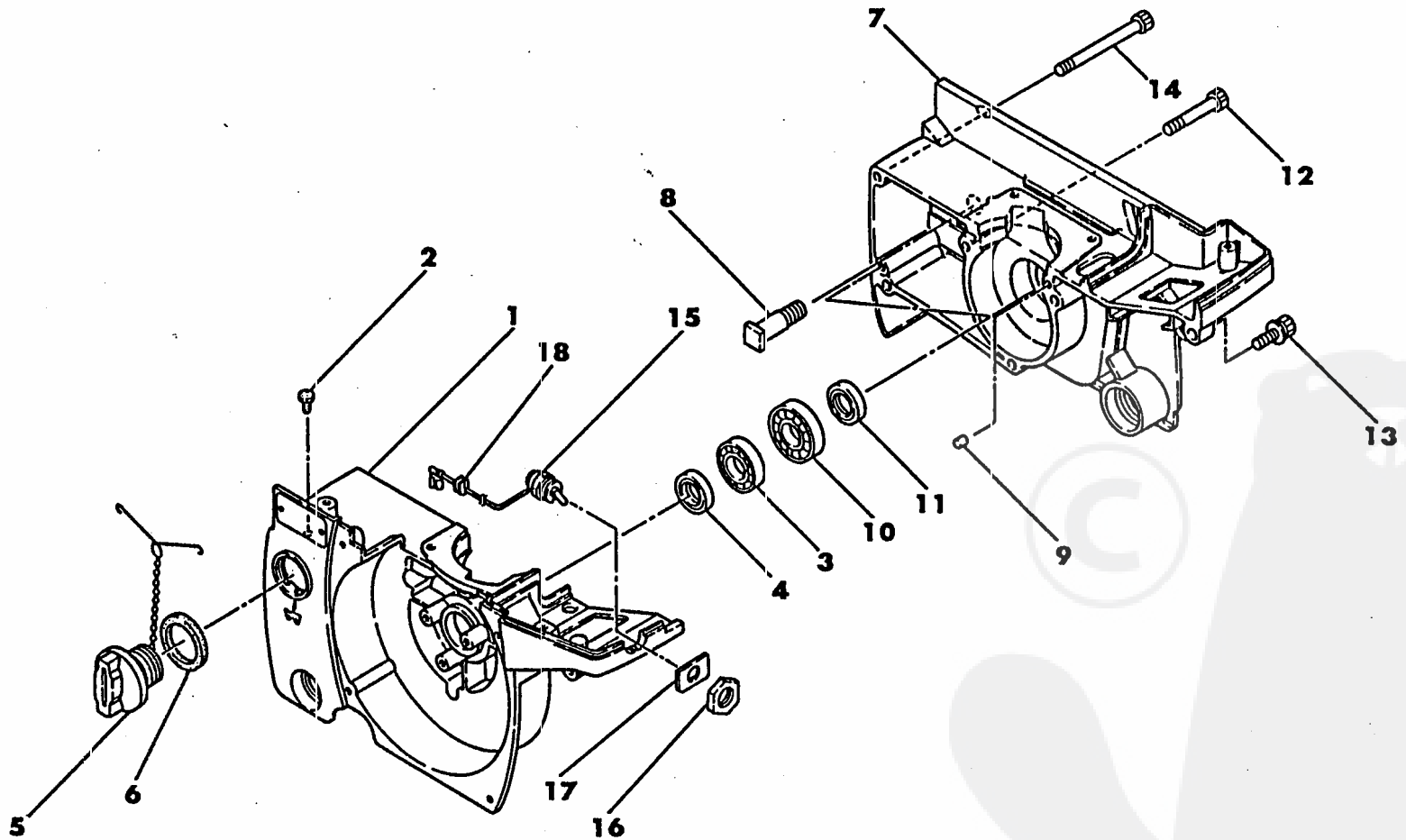
Shin-Daiwa Kogyo Co., Ltd.

SEP. 9TH, 1988



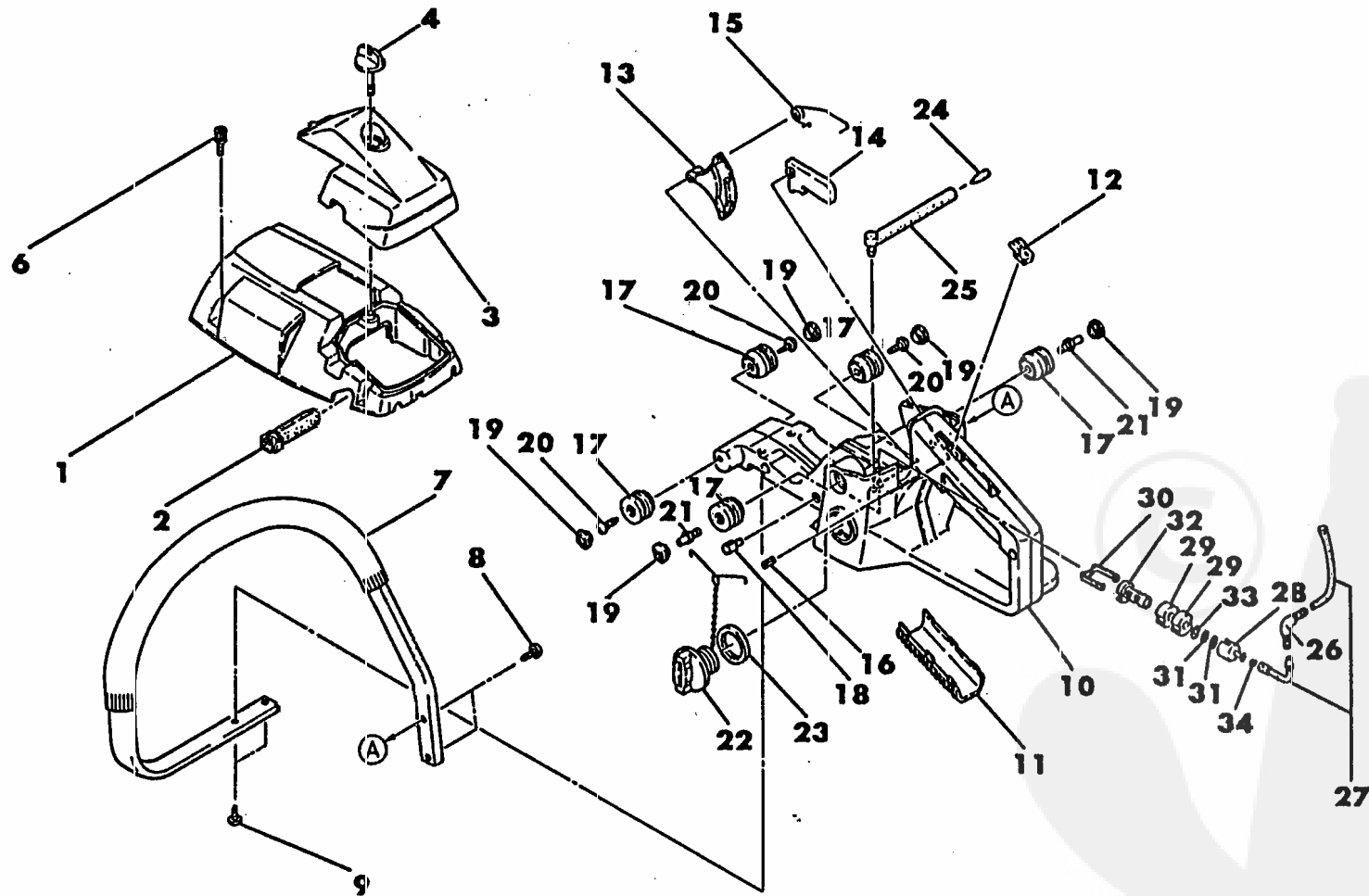
1. CYLINDER  
MUFFLER





2. CRANK CASE





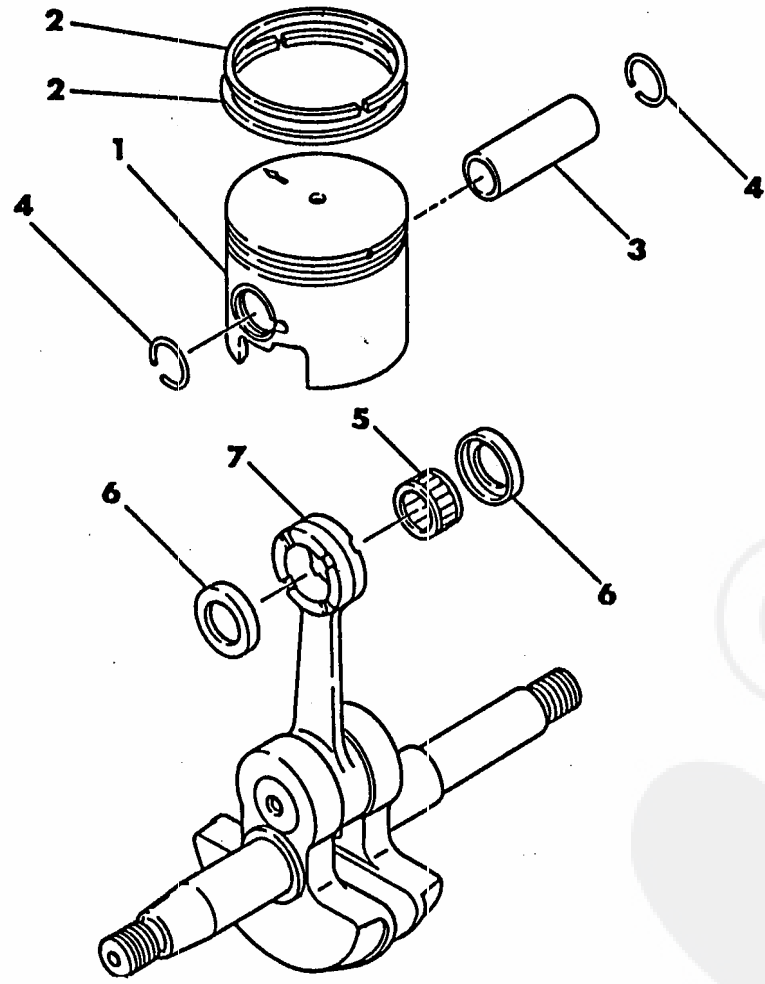
3. HANDLE

Ref. No	Part No.	Part Name	Q'ty	Unit Price	Remarks
3-	22156-31100	COVER-SA	1		
1	22156-31110	• CYLINDER COVER	1		
2	22156-31120	• GROMMET,HL	1		
	72297-31200	CLEANER COVER -A	1		
3	22156-31210	• CLEANER COVER	1		
4	22155-82520	• KNOB CLEANER COVER	1		
6	11022-04160	BOLT-SPW	3		
7	22156-32110	• FRONT HANDLE	1		
8	11029-50160	• BOLT,HILO	2		
9	11029-50200	• BOLT,HILO	2		
	22156-33100	REAR HANDLE -SA	1		
10	22156-33200	• REAR HANDLE	1		
11	22156-33230	• GRIP	1		
12	22154-33310	• SLIDE STOPPER	1		
13	22154-33320	• THROTTLE LEVER	1		
14	22154-33330	• LOCK LEVER	1		
15	22154-33340	• SPRING LEVER	1		
16	12420-40255	• PIN	2		
17	22154-33730	CUSHION,22	5		
18	22154-33750	SUPPORTER	1		
19	22154-33740	PLUG,22	5		
20	11029-50160	BOLT,HILO	3		
21	22154-33760	STOP BOLT,22	2		
	22156-33800	FUEL CAP-A	1		
22	22154-33810	• CAP	1		
23	22100-85281	• GASKET FUEL	1		
	22154-33900	BREATHER-A	1		
24	22155-33950	• ELEMENT	1		
25	22154-33940	• PIPE	1		
26	22155-33930	JOINT	1		
	22156-34100	FUEL PIPE-A	1		
27	22154-34110	• FUEL PIPE	1		
	22115-85401	• FUEL FILTER-SA	1		
28	22128-85410	• WEIGHT FUEL	1		
29	22128-85421	• FILTER	2		
30	22128-85440	• CLIP FILTER	1		
31	22118-85460	• SCREEN	2		
32	22128-85470	• SLEEVE	1		

PARTS LIST 360/VK-13 (72297-00000)  
SHIN-DAIWA KOGYO CO, LTD



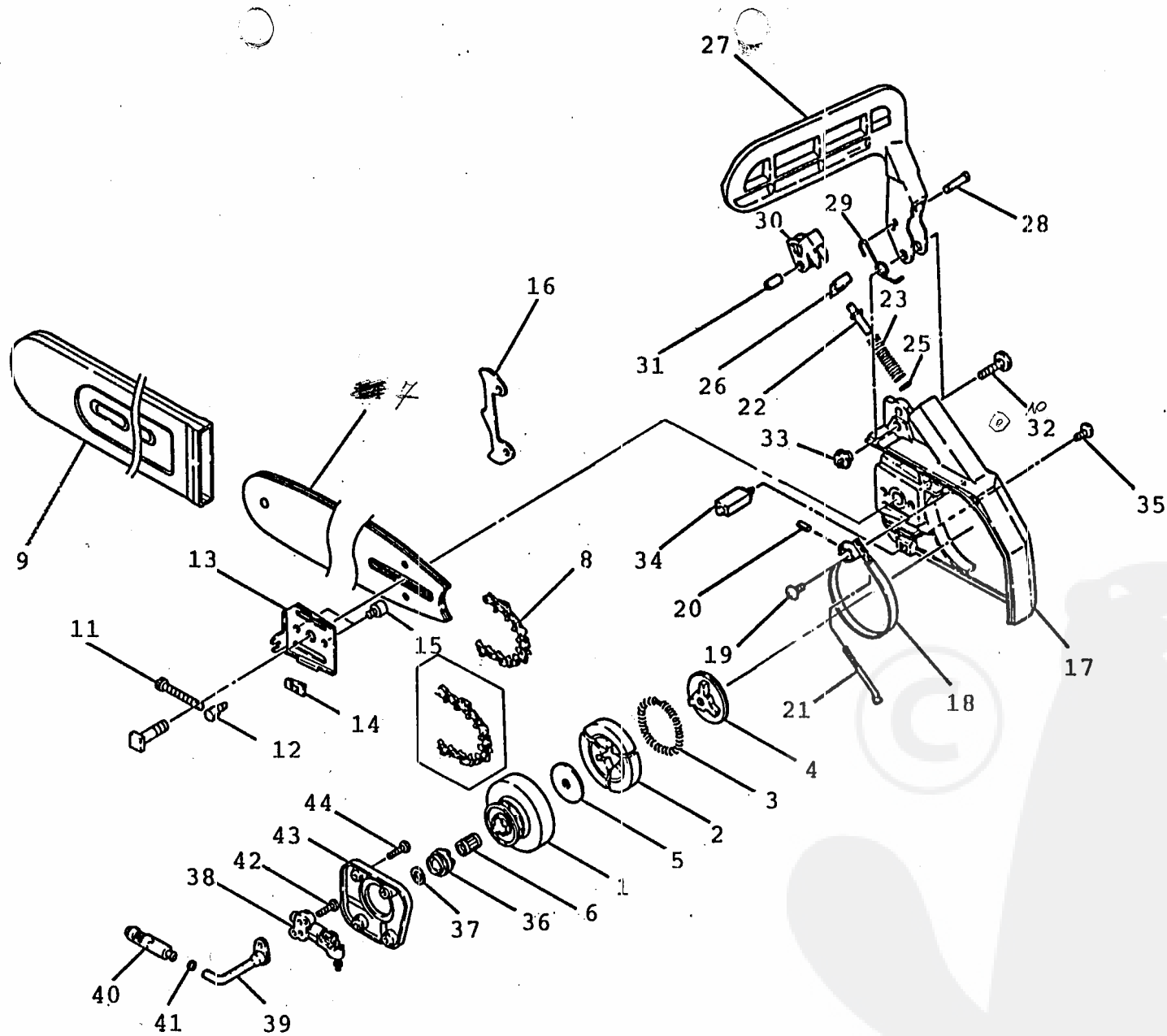




4. PISTON  
CRANK SHAFT



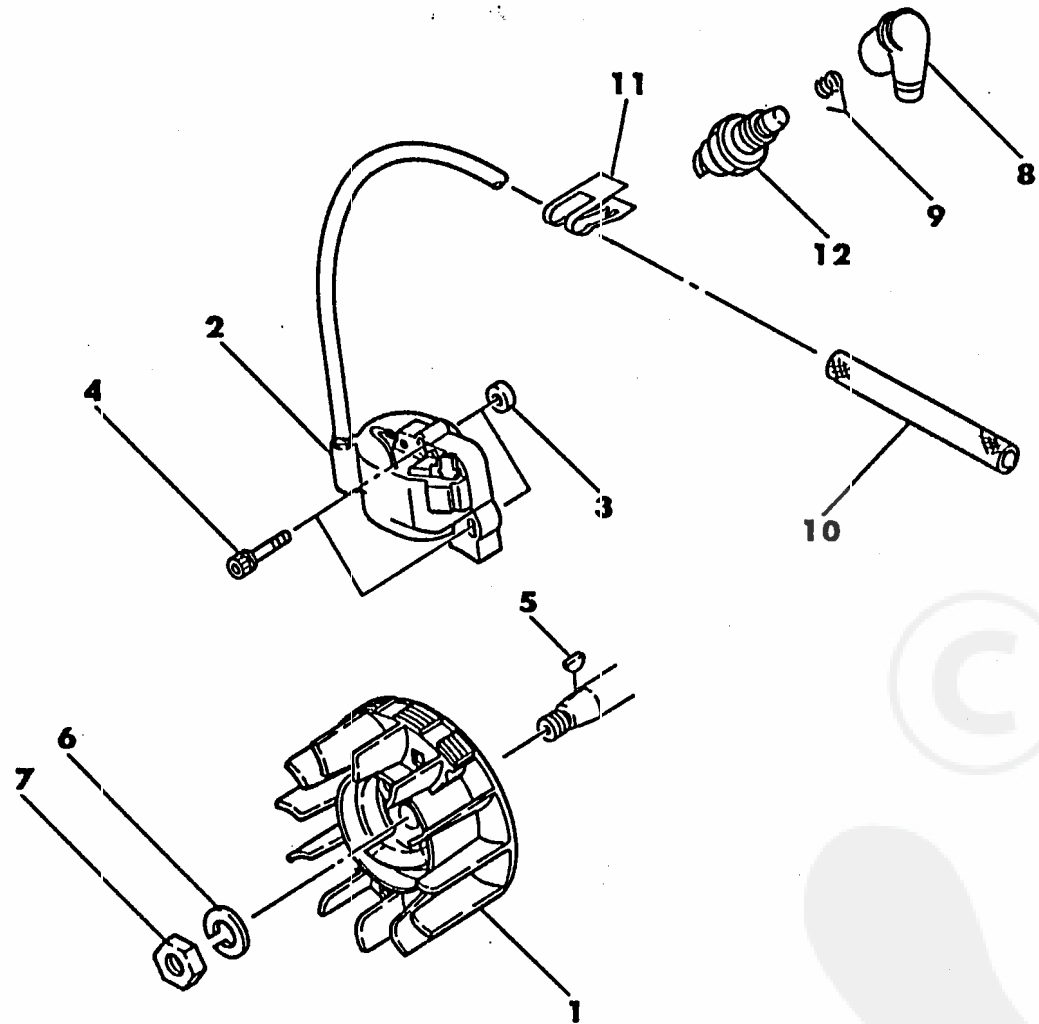




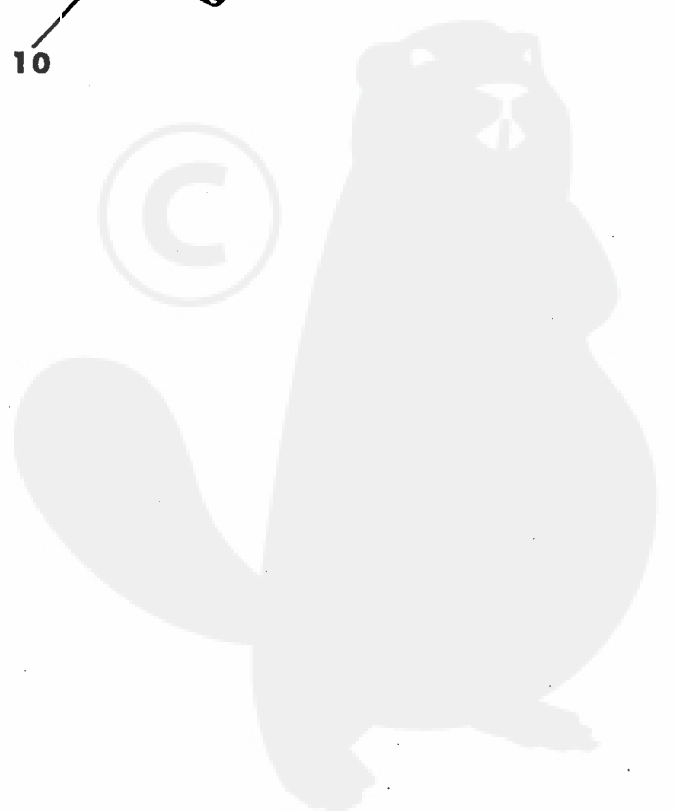
5. CLUTCH  
BRAKE

Ref. No	Part No.	Part Name	Qty	Unit Price	Remarks
5- 1	22156-97170	CLUTCH DRUM	1		
	22154-51200	CLUTCH ASSY	1		
2	22154-51220	• CLUTCH SHOE	3		
3	22102-51230	• CLUTCH SPRING	1		
4	22154-51240	• CLUTCH BOSS B	1		
5	22154-51250	CLUTCH BOSS A	1		
6	22102-51310	NEEDLE BEARING	1		
7	72297-52110	GUIDE BAR	1		
8	18075-00560	SAW CHAINE	1		
9	72124-52310	PROTECTOR	1		
10	22154-52410	NUT	1		
11	22154-52420	SLIDE SCREW	1		
12	22150-52440	SLIDE PIECE	1		
13	22154-52460	MAUNT GUARD	1		
14	22154-52470	CHAIN PAT	1		
15	22154-52490	PIN BAR	2		
16	22154-52530	SPIKE	1		
	72288-54100	BRAKE ASSY	1		
17	22154-54110	• COVER	1		
18	22156-54210	• BRAKE BAND	1		
19	01275-05102	• SCREW TRUSS C	1		
20	02427-40125	• PIN	1		
21	22156-54310	• ADJUST ROD	1		
22	22156-54320	• ADJUST SCREW	1		
23	22156-54330	• BRAKE SPRING	1		
25	01613-06100	• WASHER	1		
26	22156-54410	• BLOCK	1		
27	72288-54510	• LEVER	1		
28	22156-54520	• STOPPER PIN	1		
29	22154-54540	• RELIEF SPRING	1		
30	22156-54560	• LEVER-C	1		
31	22156-54570	• PIN LEVER	1		
32	22154-54580	• BOLT LEVER	1		
33	22154-54590	• NUT LEVER	1		
34	22154-54610	• CHAIN CATCHER	1		
35	01275-03082	• SCREW TRUSS T	1		
36	22154-55110	GEAR	1		
37	22154-55120	THRUST PLATE	1		

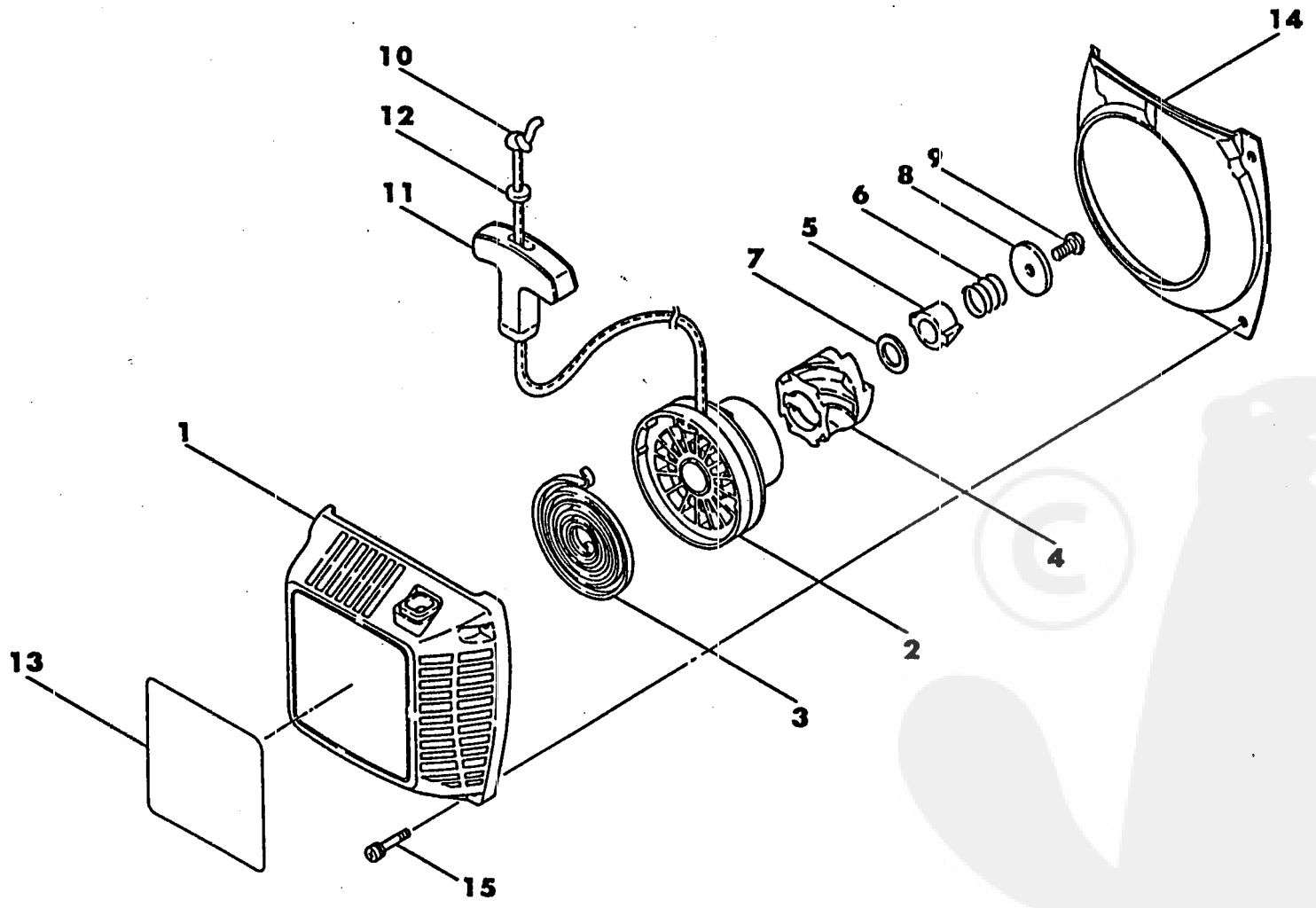




6. MAGNETO



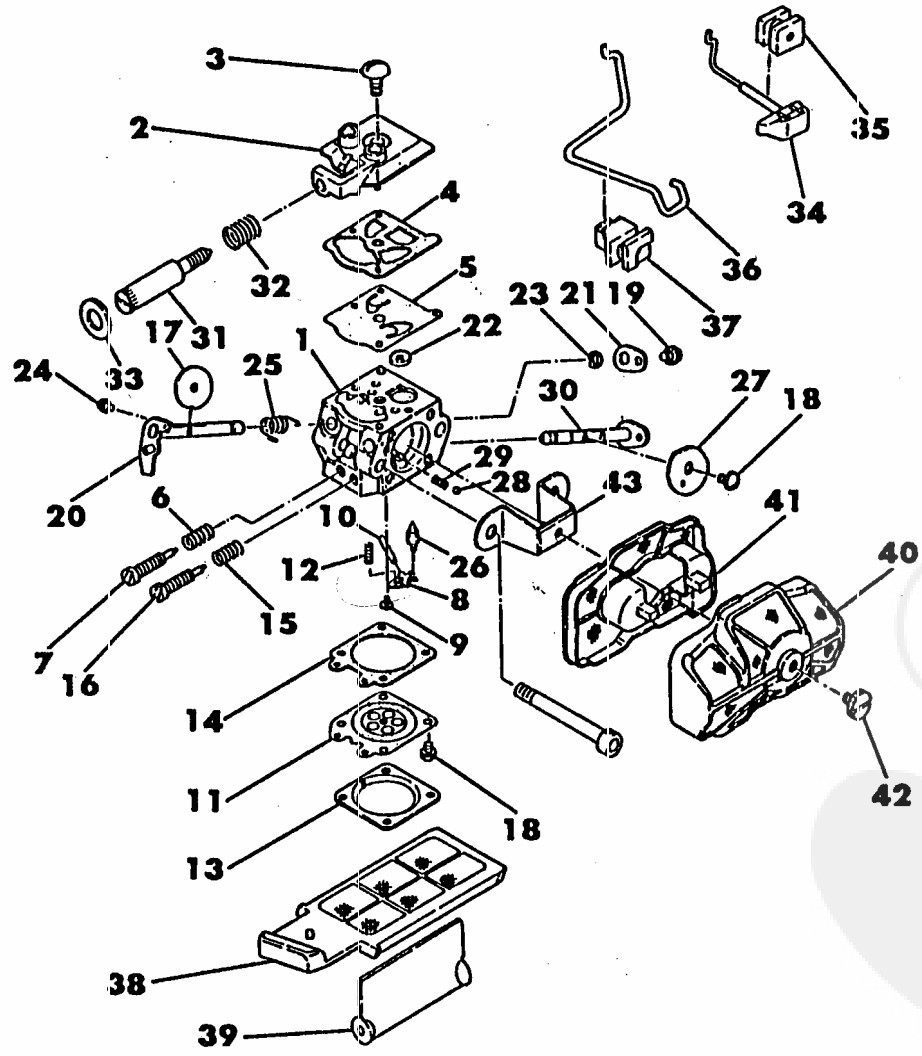




7. S T A R T E R



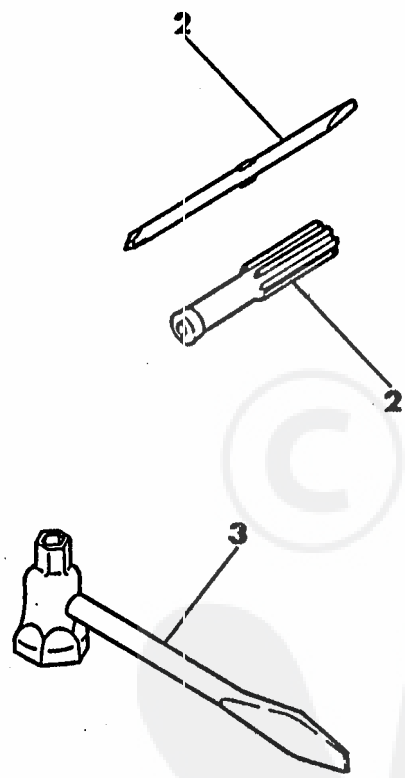
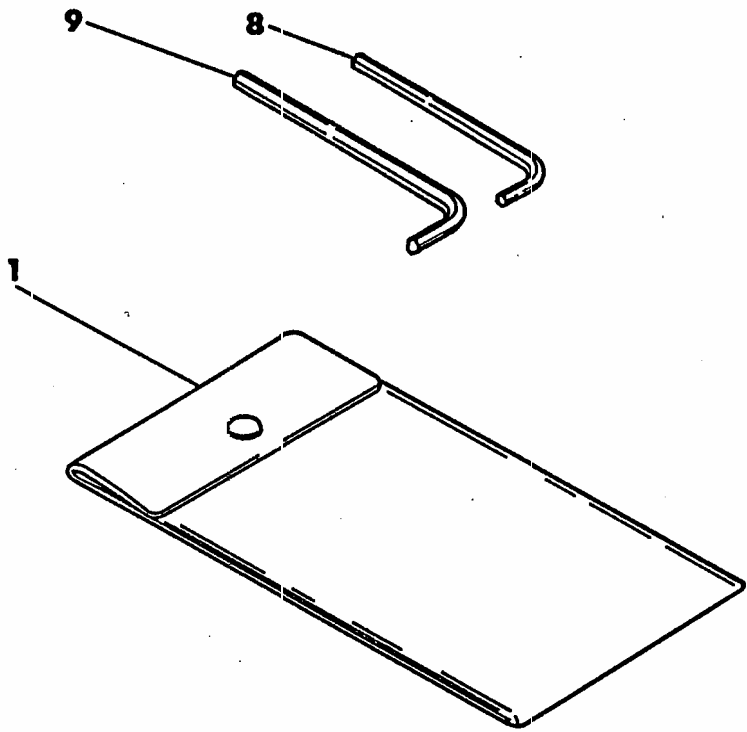




8. CARBURETOR

Ref. No	Part No.	Part Name	Q'ty	Remarks
8-	22156-81000	CARBURETOR ASSY	1	
1	22156-81110	• BODY-ASSY	1	
2	22156-81120	• PUMP COVER ASSY	1	
3	22100-81130	• SCREW	1	
4	22128-81140	• GASKET COVER	1	
5	22128-81150	• DIAPHRAGM	1	
6	22156-81160	• SPRING,L,NEEDLE	1	
7	22156-81170	• L NEEDLE	1	
8	22100-81230	• LEVER	1	
9	22100-81240	• SCREW	1	
10	22100-81250	• PIN	1	
11	22100-81260	• DIAPHRAGM-A	1	
12	22120-81270	• SPRING LEVER	1	
13	22100-81280	• COVER	1	
14	22100-81290	• GASKET	1	
15	22156-81320	• SPRING,H,N	1	
16	22156-81330	• H-NEEDLE	1	
17	22104-81340	• THROTTLE VALVE	1	
18	22100-81351	• SCREW	4	
19	22100-81360	• SCREW	2	
20	22156-81370	• SHAFT-A	1	
21	22156-81380	• THROTTLE LEVER	1	
22	70030-81380	• SCREEN	1	
23	70030-81390	• E RING	1	
24	22150-81420	• SCREW-A	1	
25	22100-81410	• SPRING SHAFT	1	
26	20036-81440	• NEEDLE VALVE	1	
27	22156-81710	• CHOKE VALVE	1	
28	22150-81720	• BALL	1	
29	22150-81730	• SPRING	1	
30	22156-81740	• SHAFT-A	1	
31	22156-81410	• IDLE SCREW	1	
32	22156-81420	• SPRING IDLE	1	
33	22156-81440	• SEAL COLLER	1	
34	22156-82120	CHOKE ROD	1	
35	22156-82130	GROMMET,CHOKE	1	
36	22156-82140	THROTTLE ROD	1	
37	22154-82150	GROMMET ROD	1	





9. T O O L

