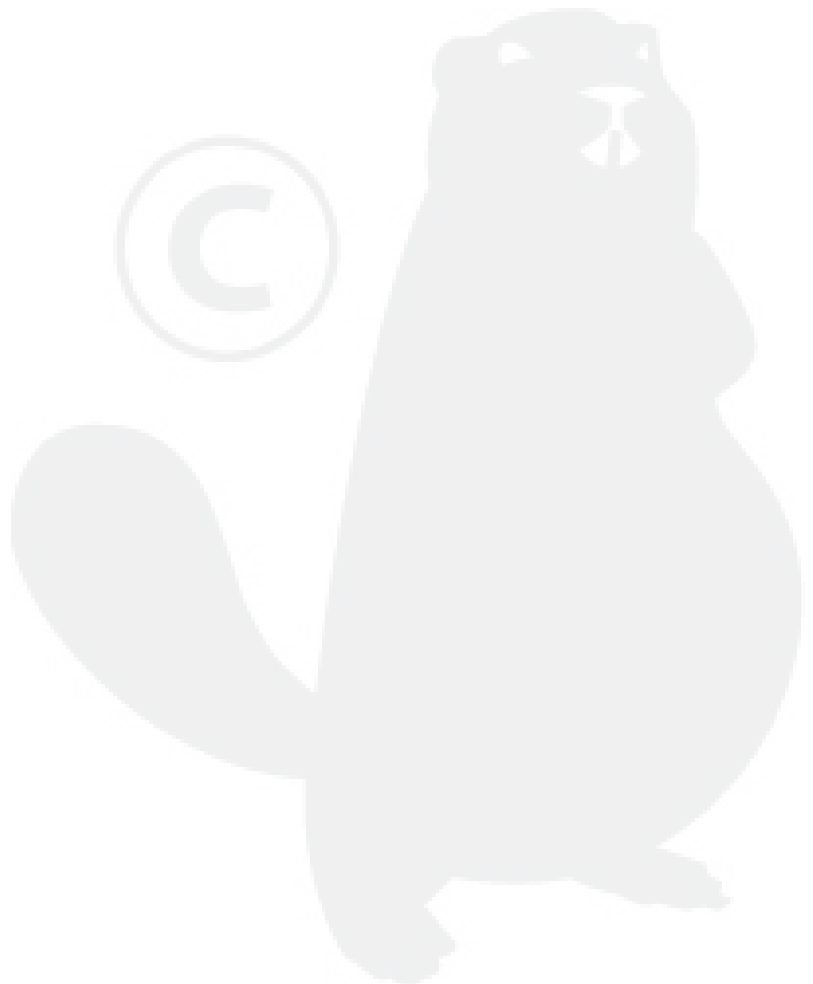
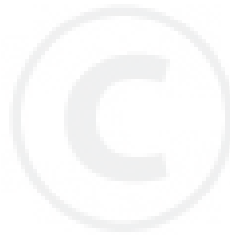
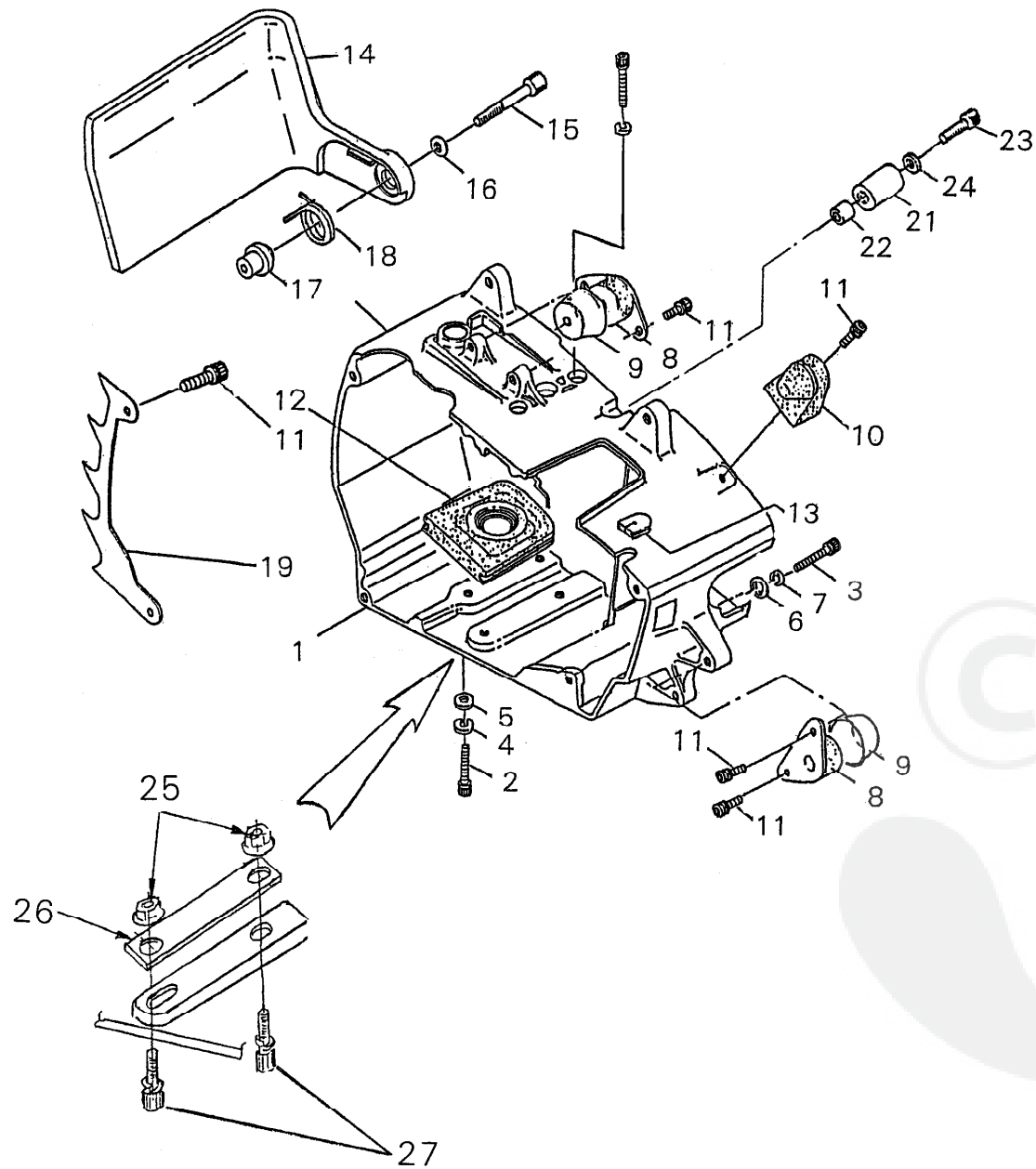
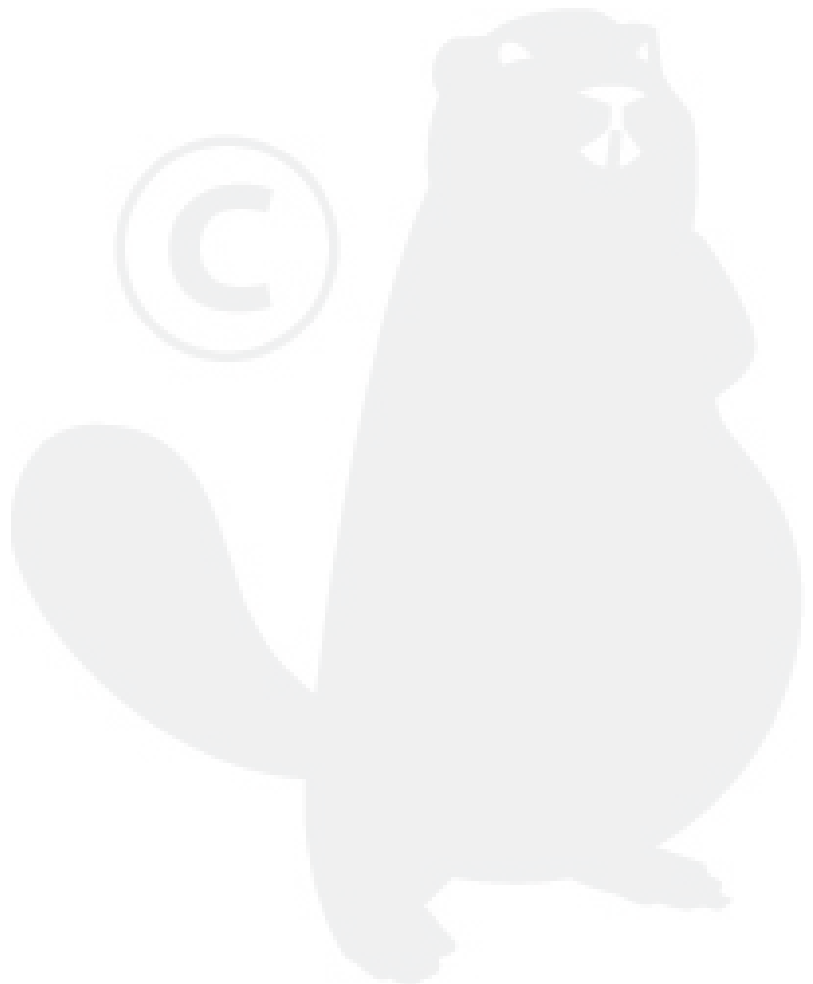
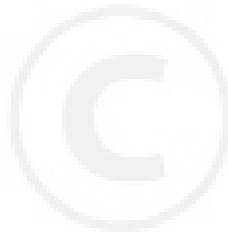


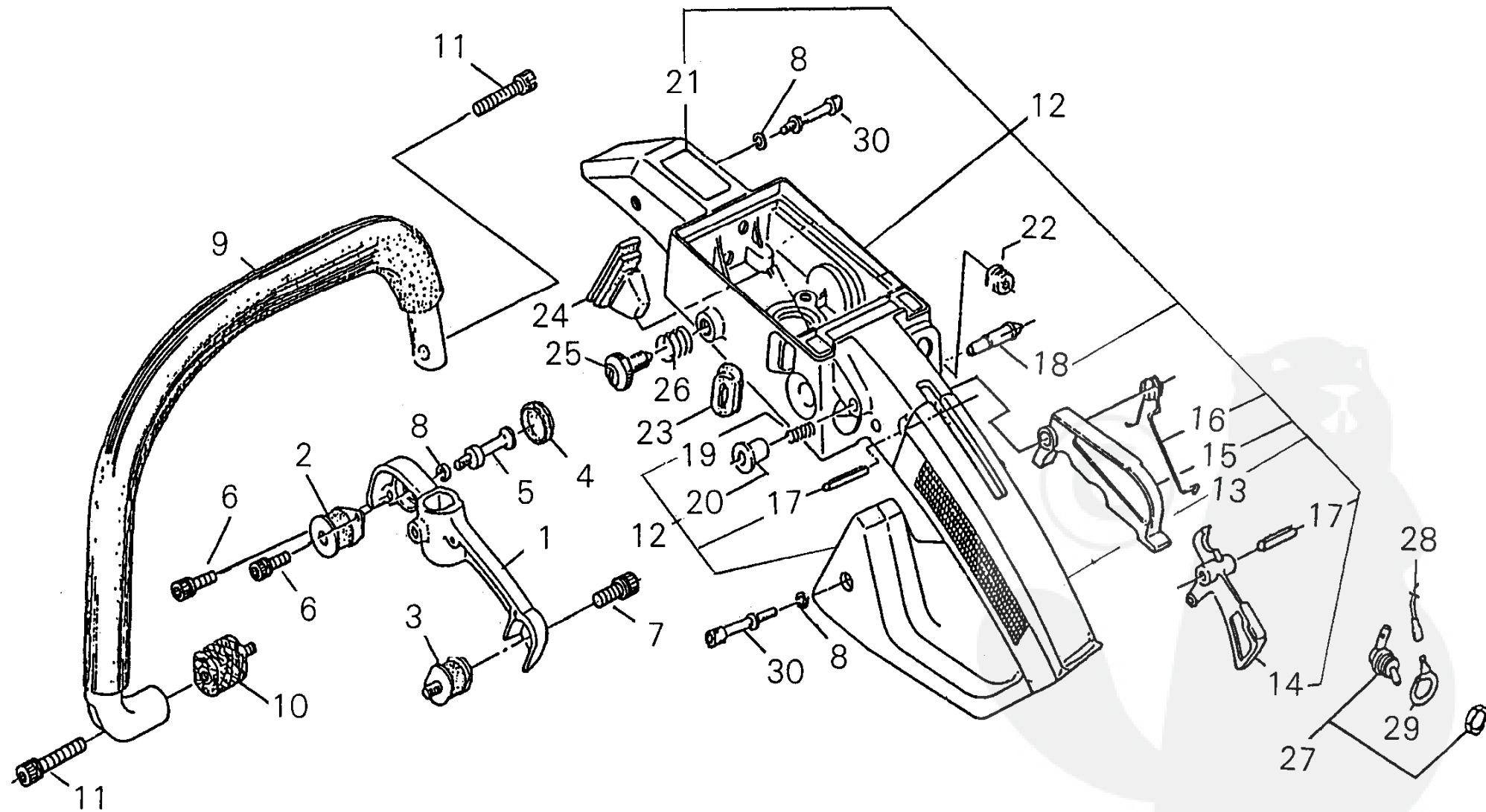
Ref. No	Part No.	Part Name	Q`ty
1- 1	22115-12111	CYLINDER	1
2	22106-12201	CRANKCASEASSY	1
3	22106-12230	*OILPIPECRANKCASE	1
4	22102-12241	*ELBOWCRANK	1
5	22102-12250	*PULSEJOINT	1
6	22120-12260	*BOLTBAR	2
7	01020-05180	BOLT	4
8	22136-14130	BOOT	1
9	11205-04140	SCREWPM	2
10	22104-15001	MUFFLERASSY	1
11	22104-15110	*BASEMUFFLER	1
12	22104-15120	*COVERMUFFLER	1
13	22120-15130	*PIPEMUFFLER	1
14	22115-15210	*GASKETMUFFLER	1
15	22100-31210	*WASHER	2
16	01020-05450	*BOLT	2



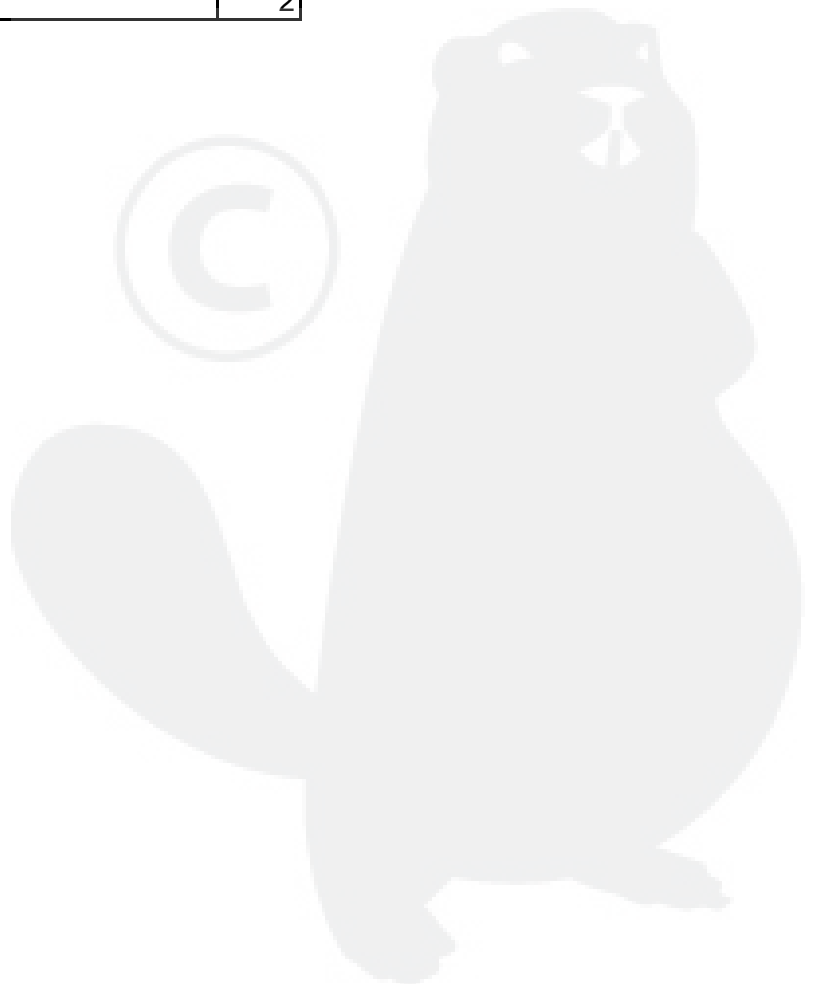
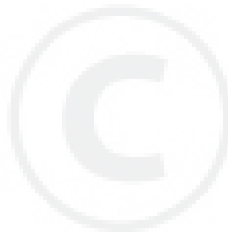


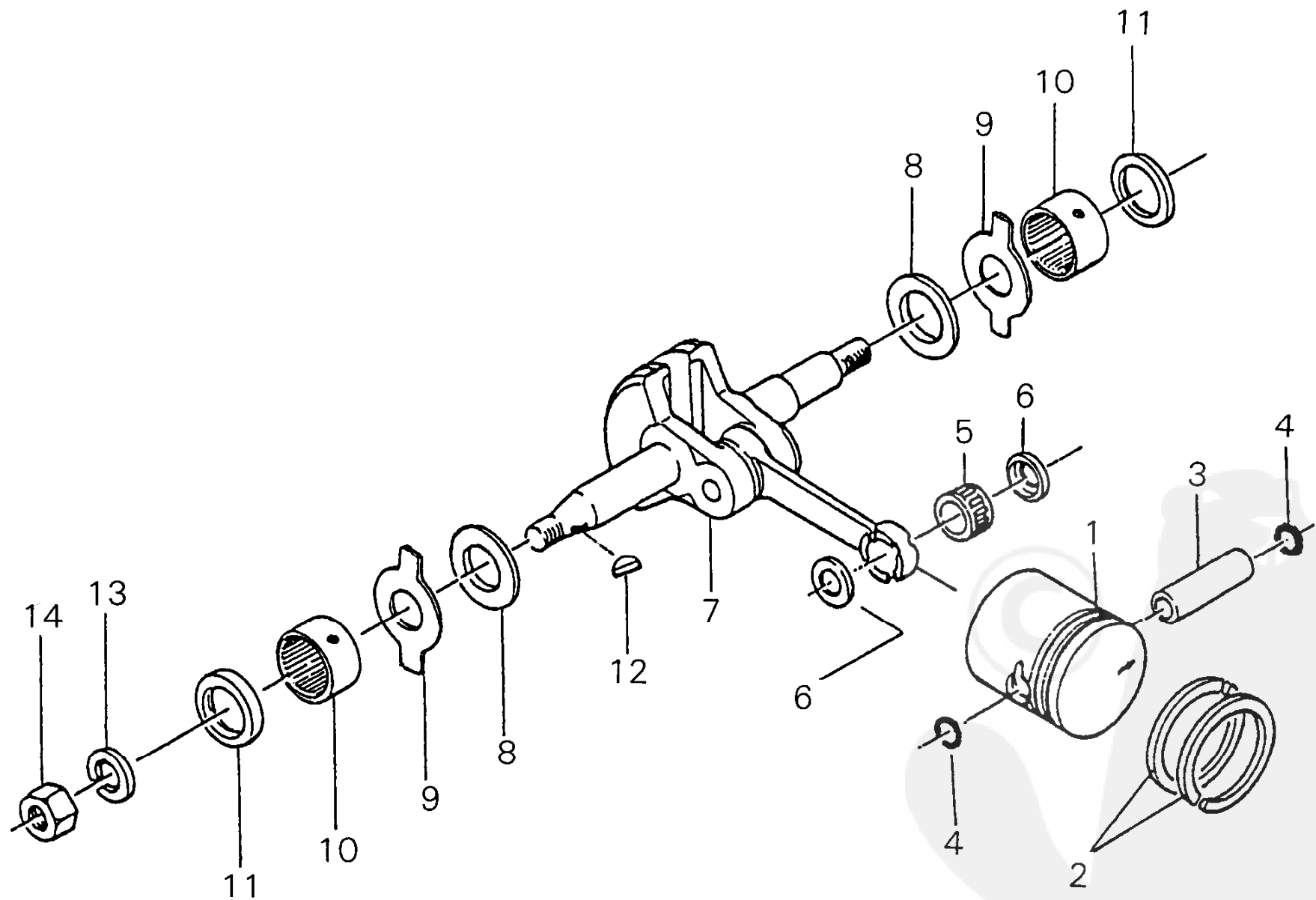
2- 1	22104-31112	ENGINECOVER	1
1	72105-31110	ENGINECOVER	1
2	01020-05180	BOLT	4
3	01020-06250	BOLT	1
4	01600-05131	SPRINGWASHER	4
5	01610-05080	WASHER	4
6	01610-06080	WASHER	1
7	01600-06151	SPRINGWASHER	1
8	22100-31310	MOUNT	2
9	22100-31320	MOUNTHOLDER	2
10	72229-31410	SIDECUSHION	2
11	11020-05120	BOLTSW	8
12	22100-31510	SEAL	1
13	22100-31531	GROMMET	1
14	22104-31611	FRONTGUARD	1
15	11020-05450	BOLTSW	1
16	22104-31620	WASHER	1
17	22104-31630	COLLAR	1
18	22104-31640	SPRINGLEVER	1
19	22118-57610	SPIKE	1
21	22122-53410	CHAINCATCHER	1
22	22122-53420	BUSH	1
23	11020-05250	BOLTSW	1
24	22100-31210	WASHER	1
25	11526-04112	FLANGENUT	2
26	22104-31710	PLATE	1
27	11020-04100	BOLTSW	2





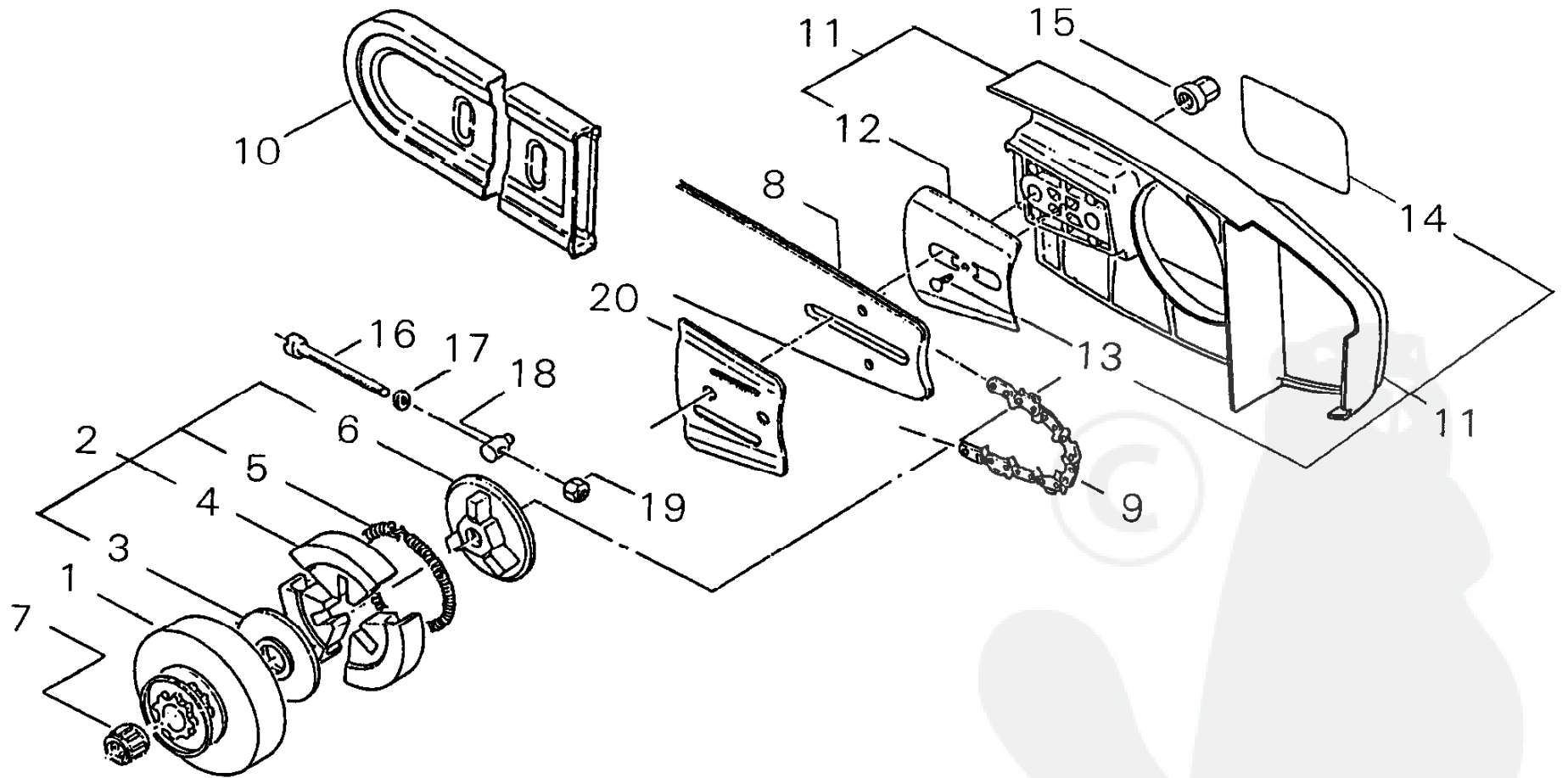
3- 1	22104-32110	BRACKET	1
2	22104-32120	CUSHION22	1
3	22102-32130	CUSHION18A	1
4	22102-32140	PLUGBRACKET	1
5	22102-32181	BOLTBRACKET	1
6	11020-04100	BOLTSW	2
7	11022-05120	BOLTSPW	1
8	01600-05131	SPRINGWASHER	3
9	22104-32152	FRONTHANDLE	1
10	22135-32160	CUSHION22B	1
11	11022-05250	BOLTSPW	2
12	22104-33103	REARHANDLESUBASSY	1
13	22104-33121	*GRIPHANDLE	1
14	22104-33130	*THROTTLELEVER	1
15	22104-33140	*LOCKLEVER	1
16	22106-33150	*SPRINGLEVER	1
17	12420-50205	*SPRINGPIN	2
18	22104-33170	*STOPPER	1
19	22100-33180	*SPRING	1
20	22100-33190	*KNOBSTOPPER	1
21	22100-33210	*CAUTIONPLATEA	1
22	22100-33310	GROMMETA	2
23	22100-33320	GROMMETCARBURETOR	1
24	22100-33331	GROMMETROD	1
25	22122-33410	ADJUSTSCREW	1
26	22122-33420	SPRINGADJUST	1
27	72171-33500	SWITCHASSY	1
28	72171-33611	EARTHCORD	1
29	72171-33620	EARTHPLATE	1
30	22100-33810	BOLT	2





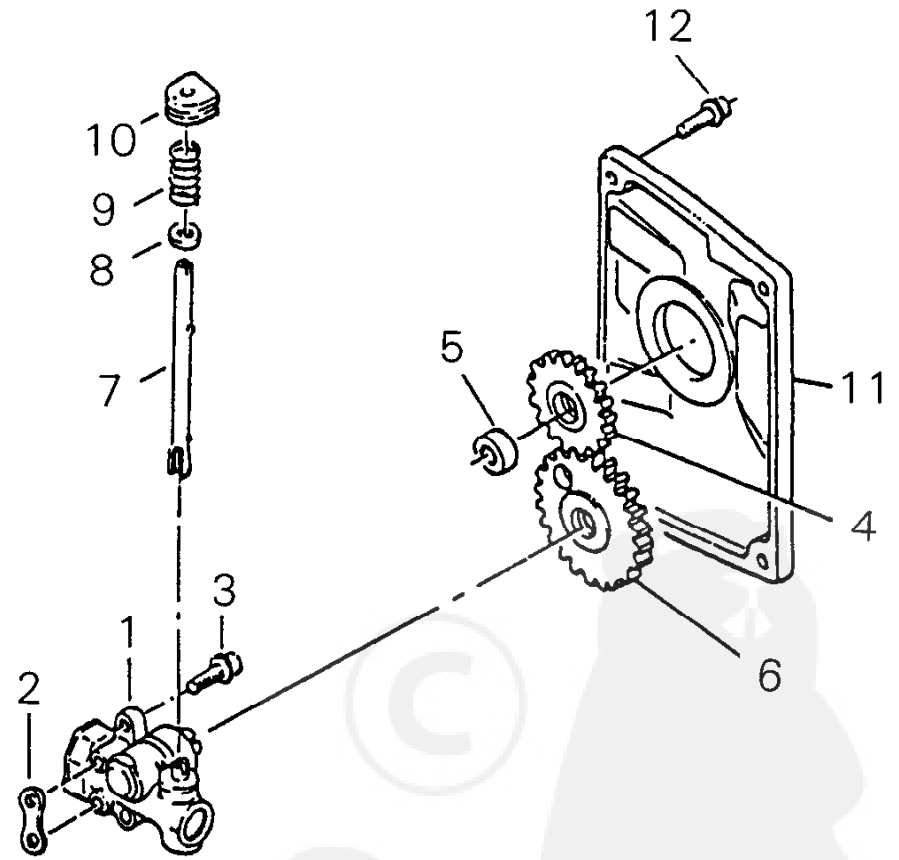
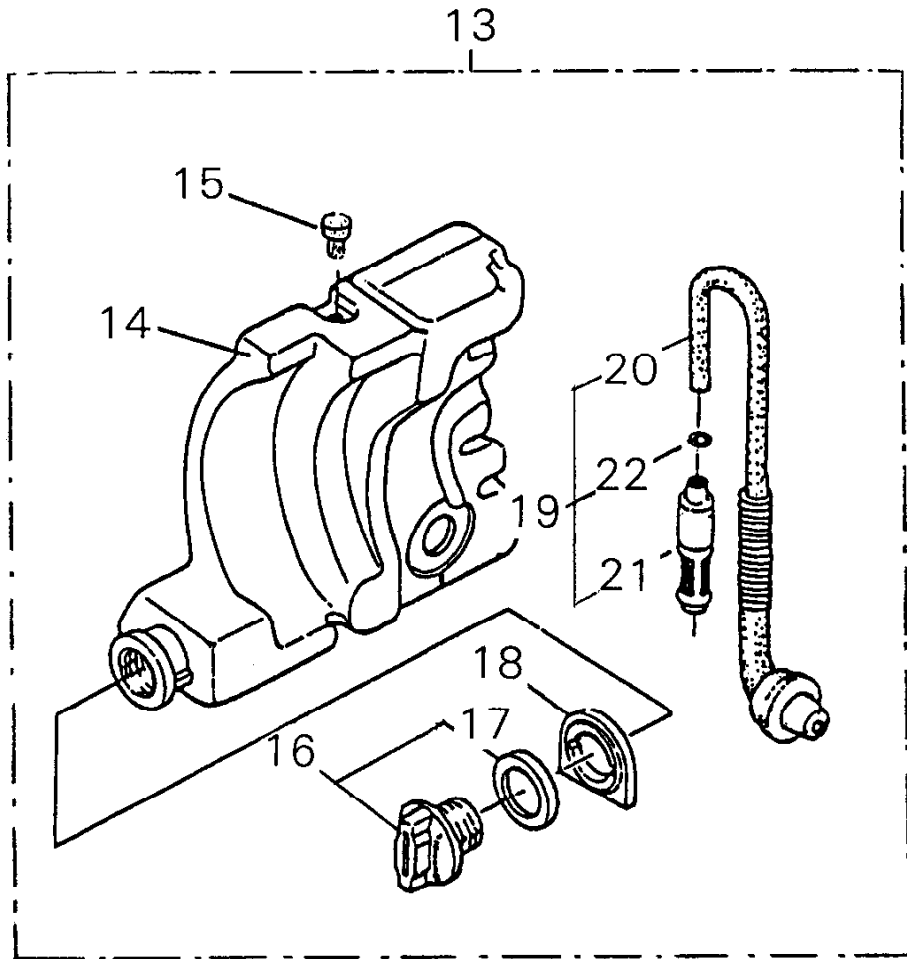
4- 1	22104-41110	PISTON	1
2	22104-41210	PISTONRING	2
3	22100-41220	PISTONPIN	1
4	22100-41230	SNAPRING	2
5	20010-41330	NEEDLEBEARING	1
6	22156-41340	THRUSTWASHER	2
7	22128-42002	CRANKSHAFTASSY	1
8	22102-43110	THRUSTWASHER	2
9	22100-43150	SIDEPLATEB	2
10	22100-43160	NEEDLEBEARINGM	2
11	22100-43170	OILSEAL	2
12	02403-03100	KEY	1
13	01600-08201	SPRINGWASHER	1
14	22100-43231	NUT	1



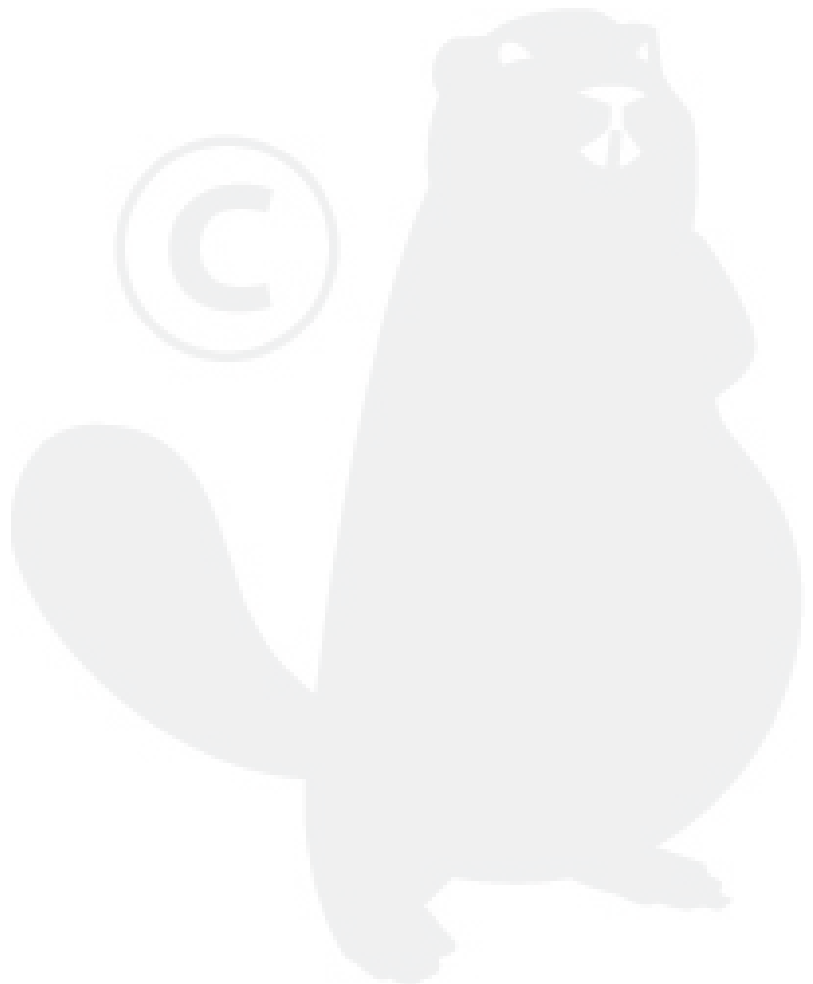
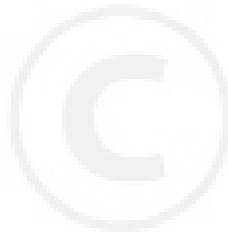


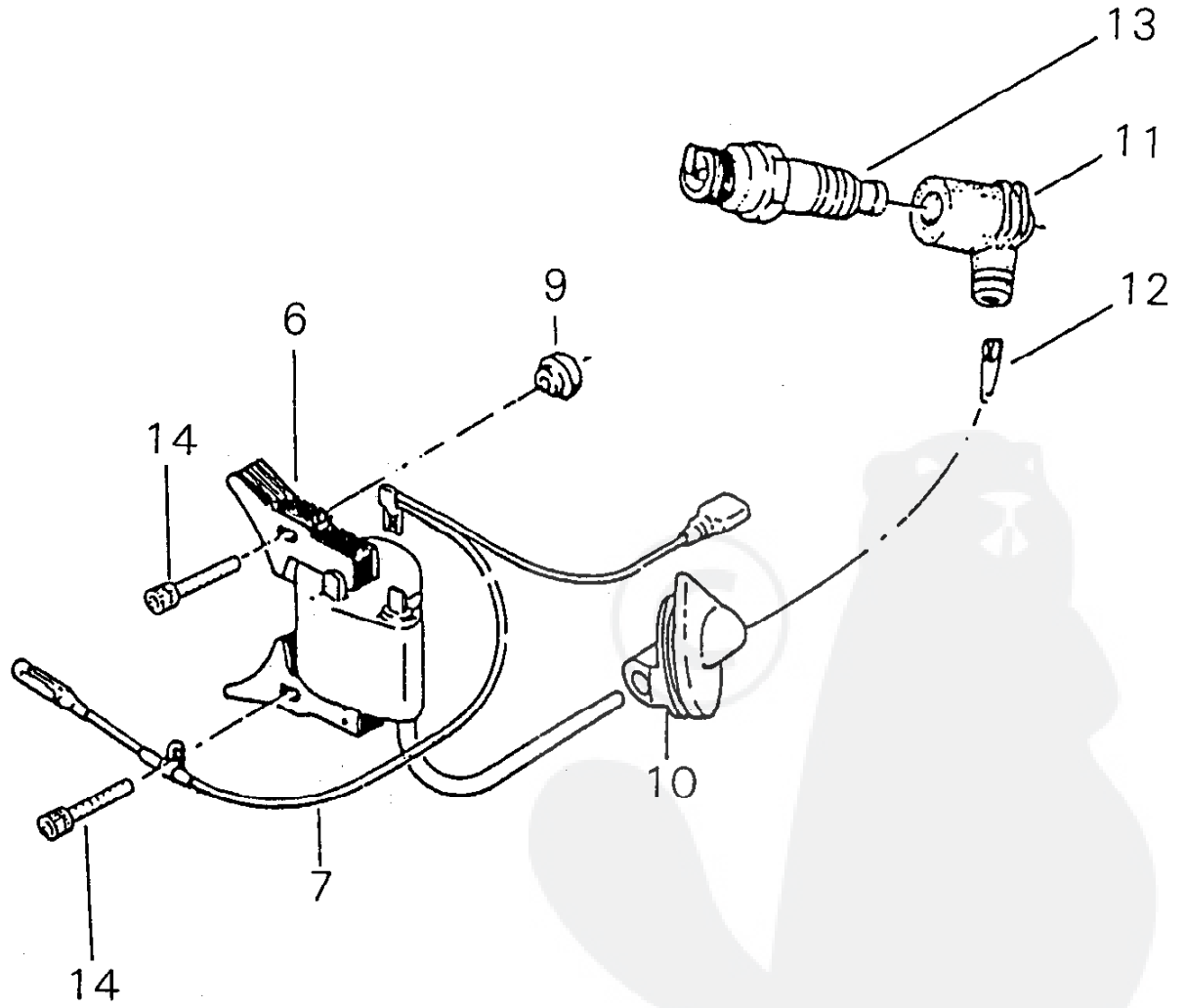
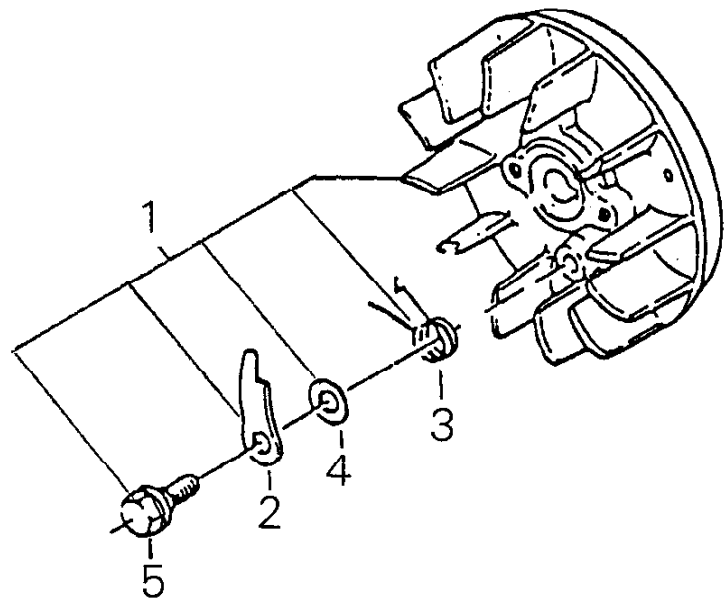
5- 1	22102-51112	CLUTCHDRUM	1
2	22104-51200	CLUTCHASSY	1
3	22102-51210	*CLUTCHBOSSA	1
4	22100-51220	*CLUTCHSHOE	3
5	22102-51230	*CLUTCHSPRING	1
6	22104-51240	*CLUTCHBOSSB	1
7	22102-51310	NEEDLEBEARING	1
8	22103-52112	GUIDEBAR16-5	1
9	18020-00860	SAWCHAIN	1
10	19600-74100	CHAINCOVER	1
11	22104-53100	CLUTCHCOVERSUBASSY	1
12	22104-53120	*GUIDEPLATEB	1
13	17100-29640	*PARKERRIVET	1
14	72139-53131	*NAMEPLATEA	1
15	22120-53210	NUT	2
16	22155-53310	SLIDESCREW	1
17	01610-05080	WASHER	1
18	22100-53320	SLIDEPIECE	1
19	22100-53330	LOCKNUT	1
20	22118-53340	GUIDEPLATEA	1





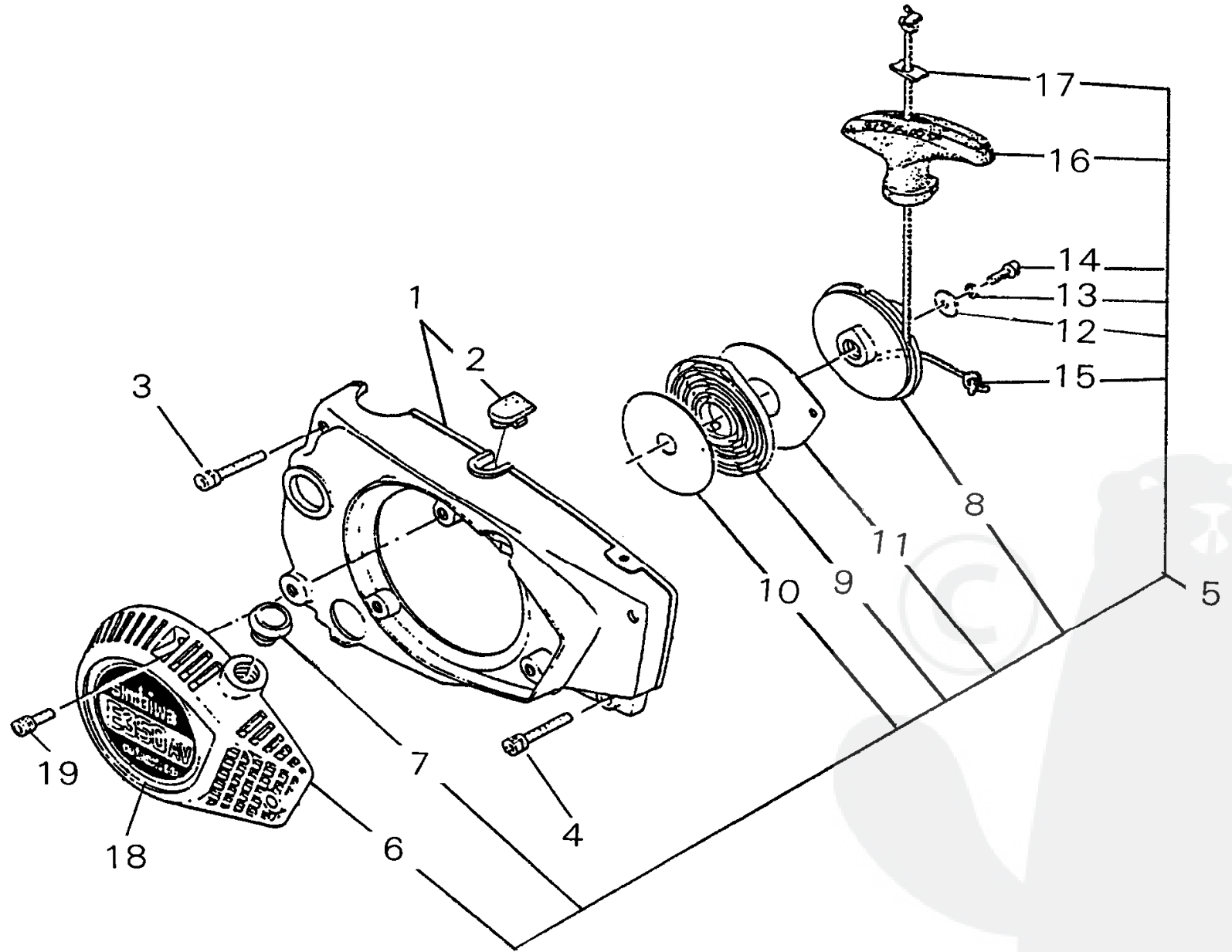
6- 1	22136-55200	OILPUMPASSY	1
2	22100-55310	GASKETOILPUMP	1
3	11206-04140	SCREWPMSPW	2
4	22102-55130	PINION	1
5	22102-55141	COLLAR	1
6	22100-55121	GEAR	1
7	22100-55610	SHAFTOILPUMP	1
8	01610-04050	WASHER	1
9	22100-55640	SPRING	1
10	22100-55650	GROMMETOILPUMP	1
11	22104-56110	PUMPCOVER	1
12	11205-04140	SCREWPM	5
13	22115-57000	OILTANKASSY	1
14	22104-57111	*OILTANK	1
15	22115-57120	*VALVEOILTANK	1
16	22122-57200	*OILCAPASSY	1
17	22100-57230	**GASKETOILCAP	1
18	22122-57240	*TANKSUPPORTOIL	1
19	22122-57301	*OILPIPEASSY	1
20	22122-57311	**OILPIPE	1
21	22100-57365	**OILFILTER	1
22	22100-57370	**CRIPOILFILTER	1



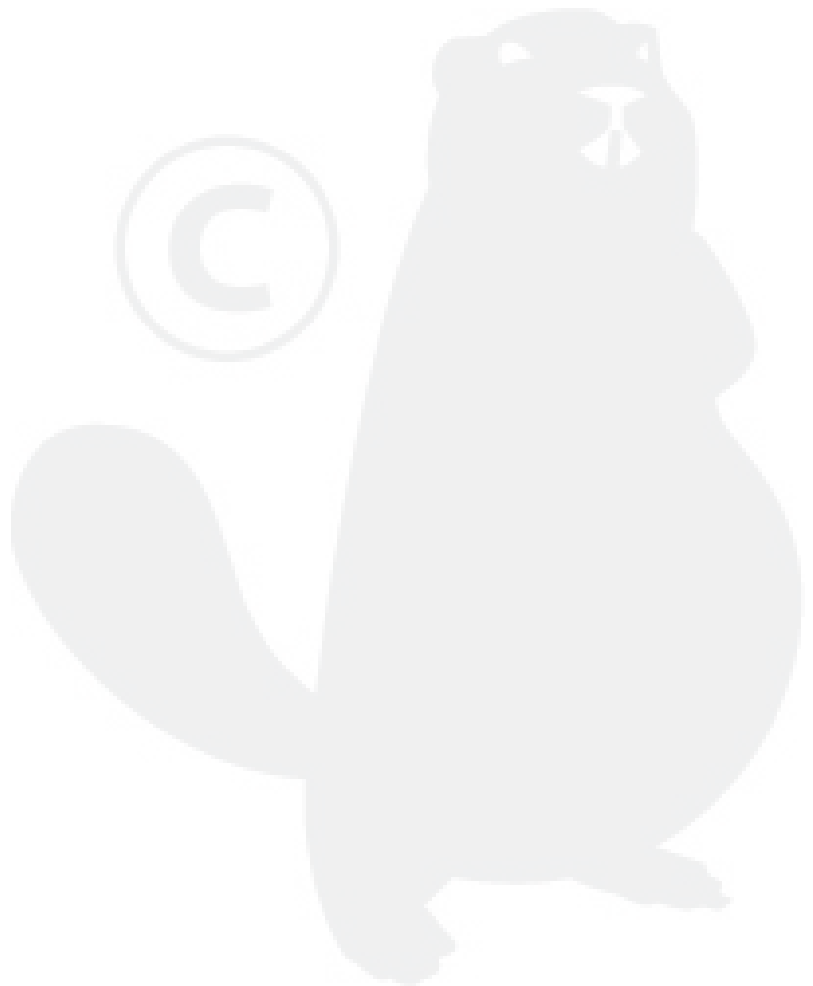


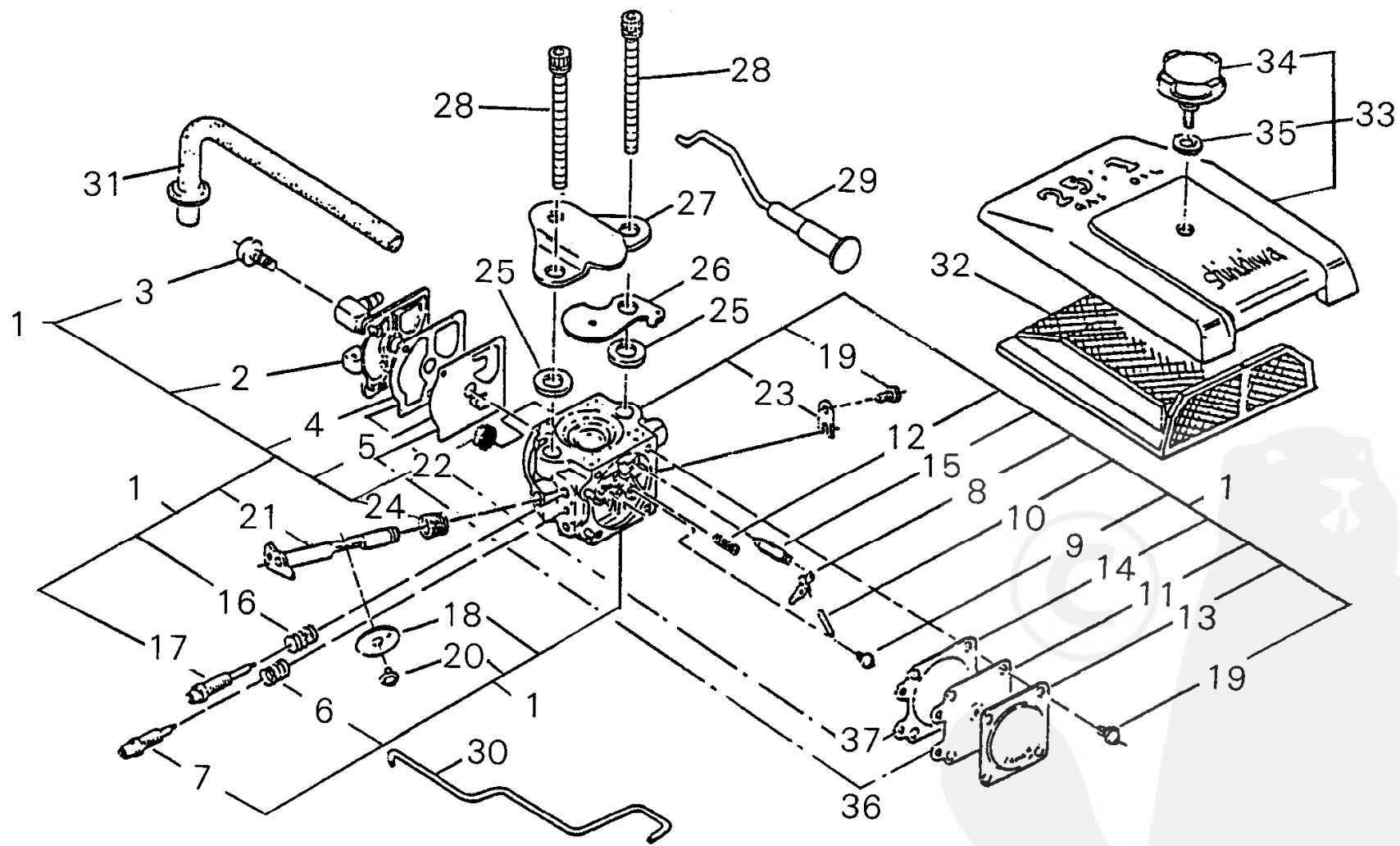
7- 1	22104-71100	ROTORASSY	1
2	22100-71410	*RATCHET	2
3	22100-71420	*SPRINGRATCHET	2
4	22100-71430	*WASHER	2
5	22100-71441	*BOLT	2
6	22104-71610	COILASSY	1
7	22104-71620	LEADWIRE	1
9	22100-72110	SPACERCOIL	2
10	22104-72210	GROMMET	1
11	22104-72220	PLUGCAP	1
12	20000-72230	SPRINGSPARKPLUG	1
13	CJ8Y	SPARKPLUG	1
14	11020-04240	BOLTSW	2



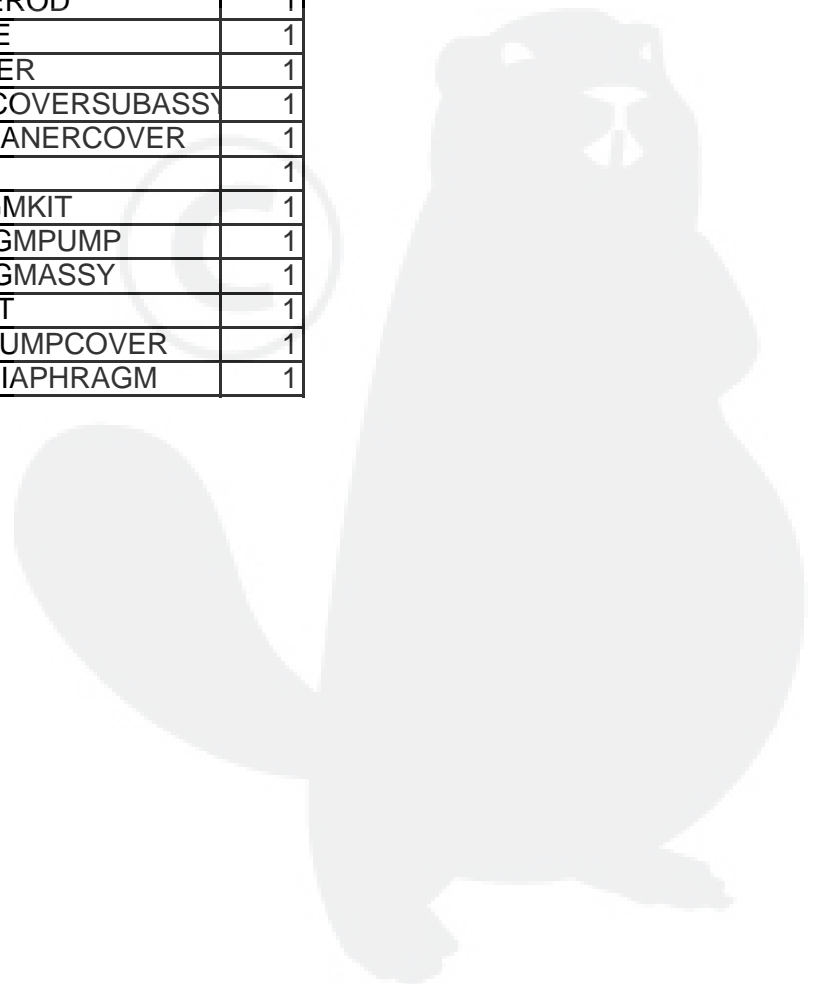


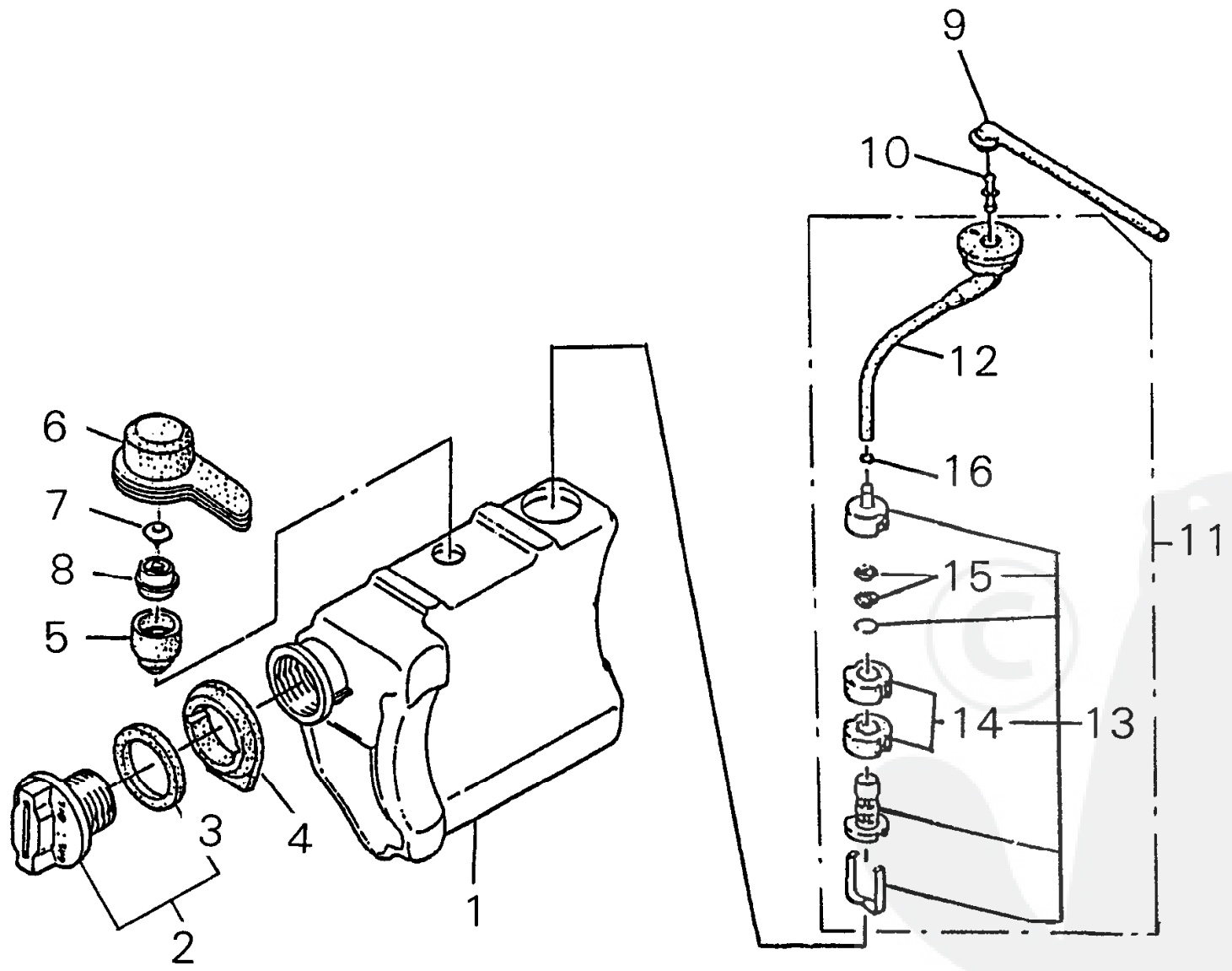
8- 1	22115-75100	FANCOVERSUBASSY	1
2	72171-75160	*PLUGRECOIL	1
3	11022-04350	BOLTSPW	3
4	11022-04240	BOLTSPW	1
5	22115-76100	RECOILSTARTERSUBASSY	1
6	22115-76111	*RECOILCASE	1
7	22104-75130	*GUIDE	1
8	22104-76210	*REEL	1
9	22104-75310	*RECOILSPRING	1
10	22104-75330	*PLATEA	1
11	22104-75340	*PLATEB	1
12	22104-75350	*WASHER	1
13	01600-04101	*SPRINGWASHER	1
14	01020-04100	*BOLT	1
15	22104-75411	*ROPE	1
16	22104-75420	*KNOBRECOIL	1
17	22104-75430	*STOPPERKNOB	1
18	72116-76121	NAMEPLATEB	1
19	11022-04140	BOLTSPW	3





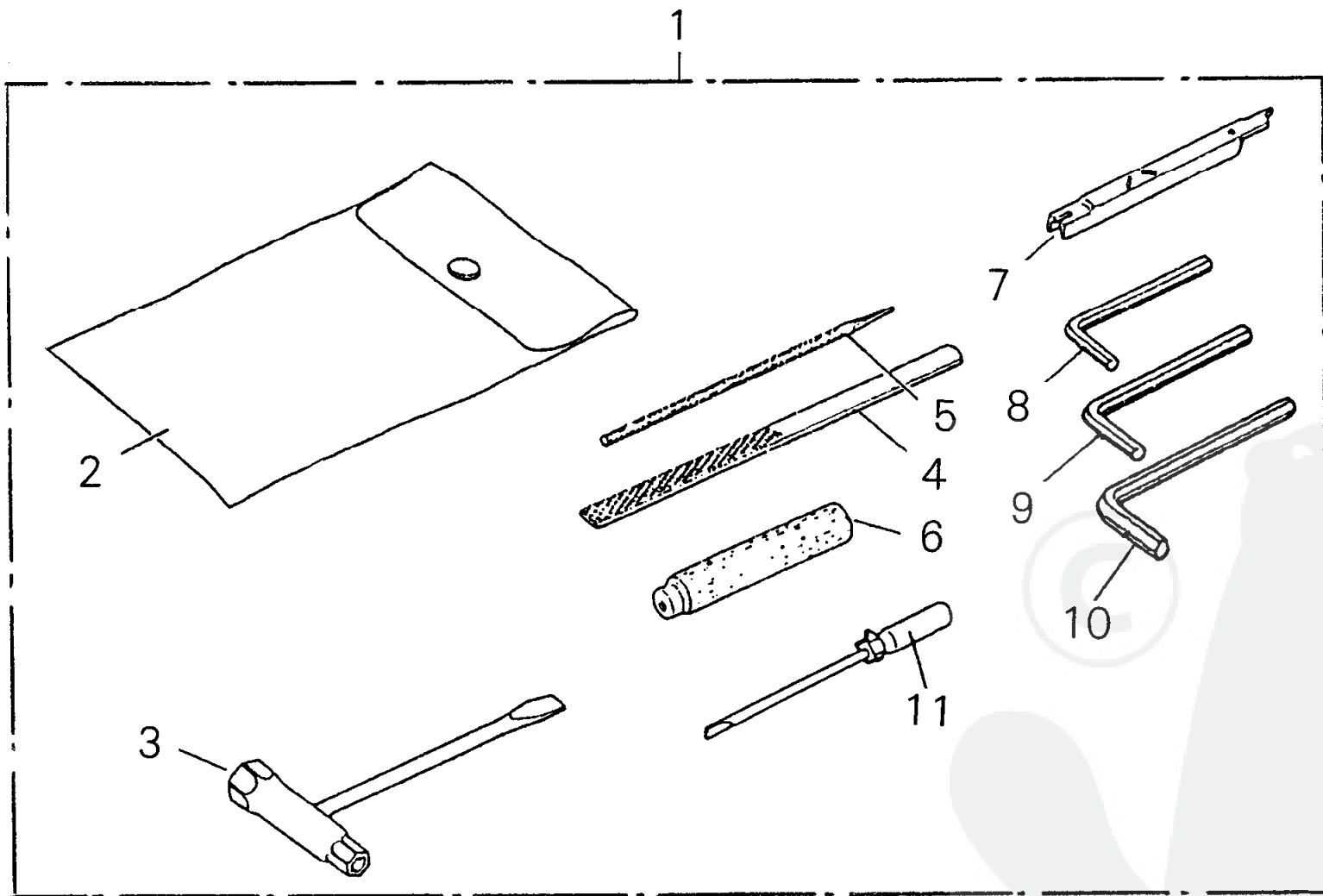
9- 1	22104-81000	CARBURETORASSY	1
2	22128-81120	*PUMPCOVERASSY	1
3	22100-81130	*SCREW	1
4	22128-81140	*GASKETPUMPCOVER	1
5	22128-81150	*DIAPHRAGMPUMP	1
6	22100-81160	*SPRINGIDLENEEDLE	1
7	22104-81170	*LNEEDLE	1
8	22100-81230	*LEVER	1
9	22100-81240	*SCREW	1
10	22100-81250	*PIN	1
11	22100-81260	*DIAPHRAGMASSY	1
12	22104-81270	*SPRINGLEVER	1
13	22100-81280	*COVERDIAPHRAGM	1
14	22100-81290	*GASKETDIAPHRAGM	1
15	22100-81310	*NEEDLEVALVE	1
16	22100-81320	*SPRINGHNEEDLE	1
17	22104-81330	*HNEEDLE	1
18	22104-81340	*THROTTLEVALVE	1
19	22100-81351	*SCREW	5
20	22100-81360	*SCREW	1
21	22100-81370	*SHAFTASSY	1
22	22128-81380	*SCREEN	1
23	22100-81390	*CLIPSHAFT	1
24	22100-81410	*SPRINGSHAFT	1
25	22100-82110	WASHERCARBURETOR	2
26	22120-82120	SHUTTERPLATE	1
27	22128-82130	BRACKETCARBURETOR	1
28	11020-05400	BOLTSW	2
29	22102-82140	CHOKEROD	1
30	22115-82210	THROTTLE ROD	1
31	22104-82220	PULSEPIPE	1
32	22128-82310	AIRCLEANER	1
33	22128-82400	CLEANERCOVERSUBASSY	1
34	22128-82420	*KNOBCLEANERCOVER	1
35	22100-82430	*ORING	1
36	22128-81910	DIAPHRAGMKIT	1
5	22128-81150	*DIAPHRAGMPUMP	1
11	22100-81260	*DIAPHRAGMASSY	1
37	22128-81920	GASKETKIT	1
4	22128-81140	*GASKETPUMPCOVER	1
14	22100-81290	*GASKETDIAPHRAGM	1





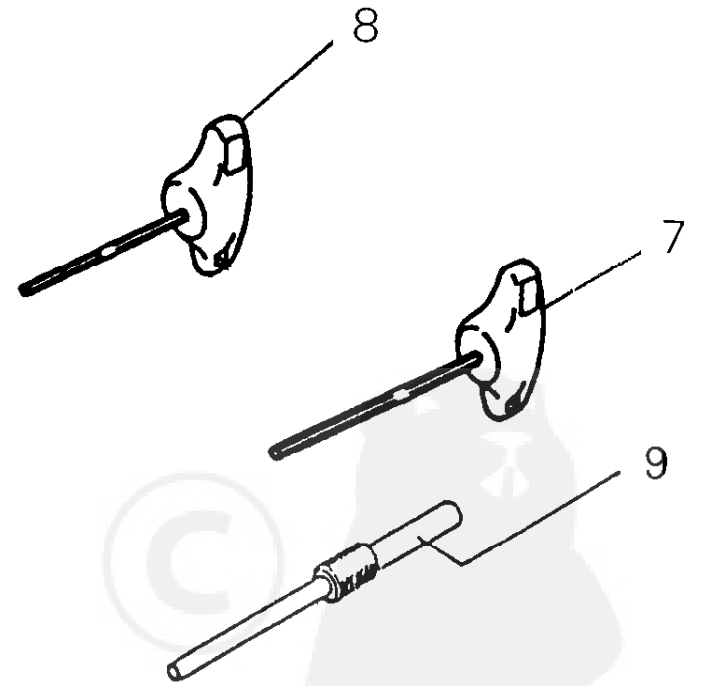
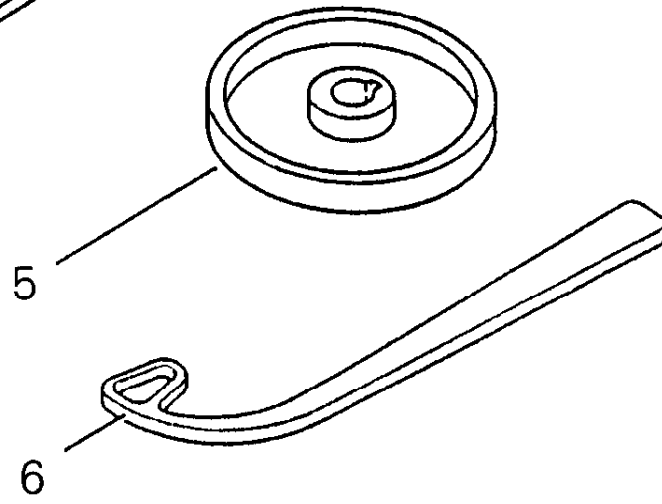
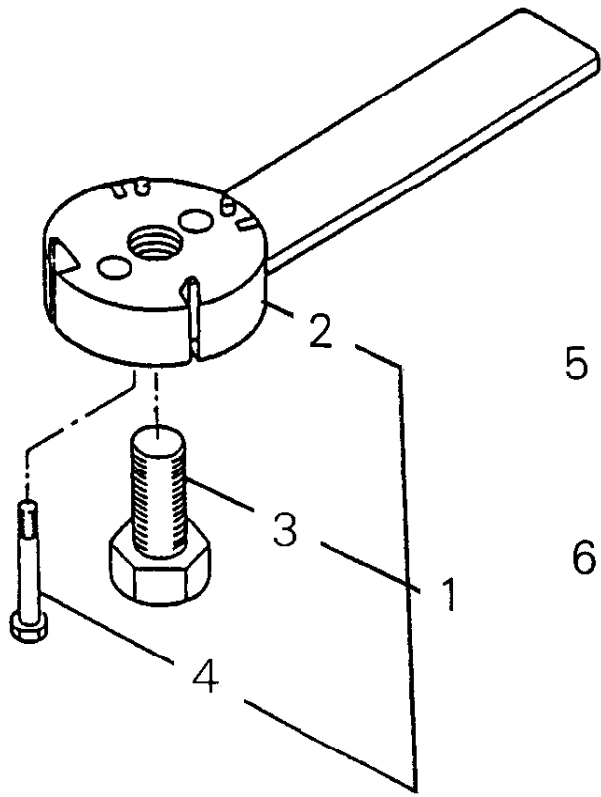
10- 1	22104-85111	FUELTANK	1
2	22122-85200	FUELCAPASSY	1
3	22100-85281	*GASKETFUELCAP	1
4	22122-85230	TANKSUPPORTFUEL	1
5	22122-85240	HOLDERVERVALVE	1
6	22122-85250	CAPBREATHER	1
7	22100-85260	VALVEFUEL	1
8	22122-85270	RETAINERBREATHER	1
9	22104-85310	FUELPIPE	1
10	22100-85320	JOINTFUEL	1
11	22115-85301	SUCTIONPIPEASSY	1
12	22128-85330	*SUCTIONPIPE	1
13	22115-85401	*FUELFILTERSUBASSY	1
14	22128-85421	**FILTER	2
15	22118-85460	**SCREEN	2
16	20020-85540	*CLIP	1





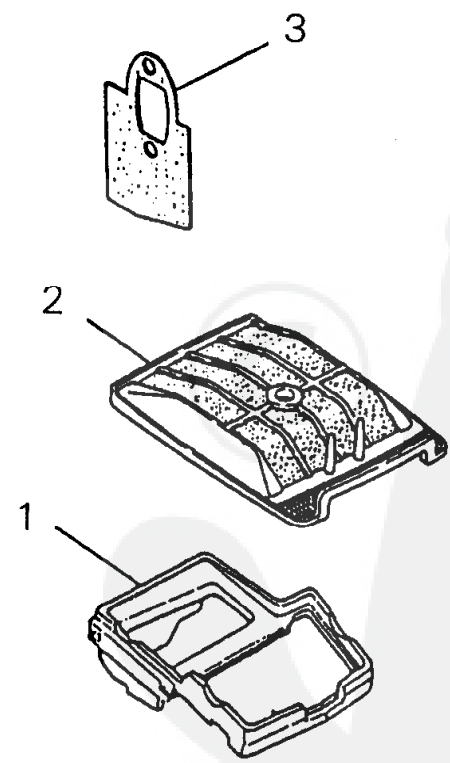
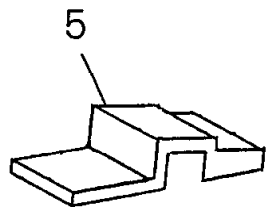
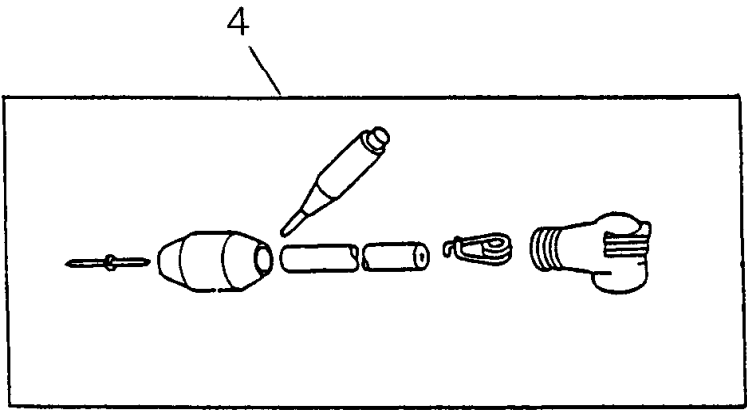
11- 1	22115-91002	TOOLSET	1
2	19639-01700	*TOOLBAG	1
3	22102-91410	*PLUGWRENCH	1
4	22100-91510	*FILE	1
5	22102-91520	*FILE	1
6	22102-91530	*GRIP	1
7	22120-91540	*GAUGE	1
8	09026-03001	*HEXAWRENCH	1
9	09026-04001	*HEXAWRENCH	1
10	09026-05001	*HEXAWRENCH	1
11	22150-91160	*DRIVER	1





12- 1	22104-96100	PULLERASSY	1
2	22104-96110	*PULLER	1
3	22100-96121	*CENTERBOLT	1
4	22102-96130	*BOLT	2
5	22102-96211	SETGAUGE	1
6	22100-96410	STOPPER	1
7	22155-96521	TWRENCH4	1
8	22155-96531	TWRENCH5	1
9	22102-96530	SETPIN	1





13- 1	22102-97510	AIRDUCT	1
2	22128-97520	AIRCLEANERASSY	1
3	22102-97540	GASKETMUFFLER	1
4	22104-97800	REPAIRKIT	1
5	22115-97560	TANKSTOPPER	1
901	22161-93112	MANUAL	1
902	22104-94204	PACKAGEE350AV	1

