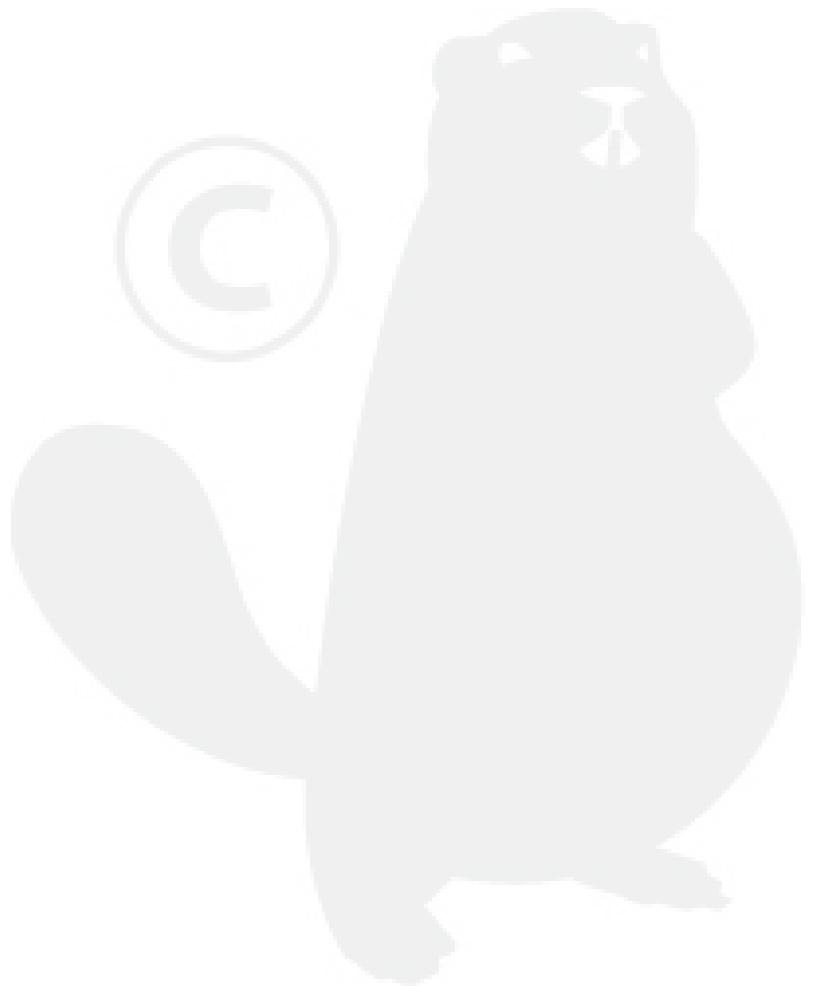
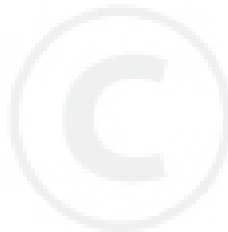
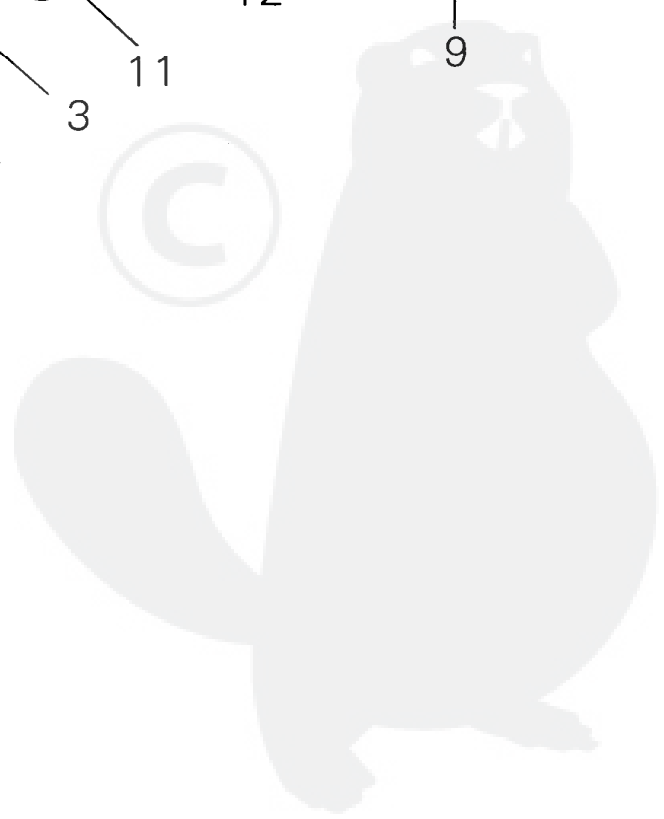
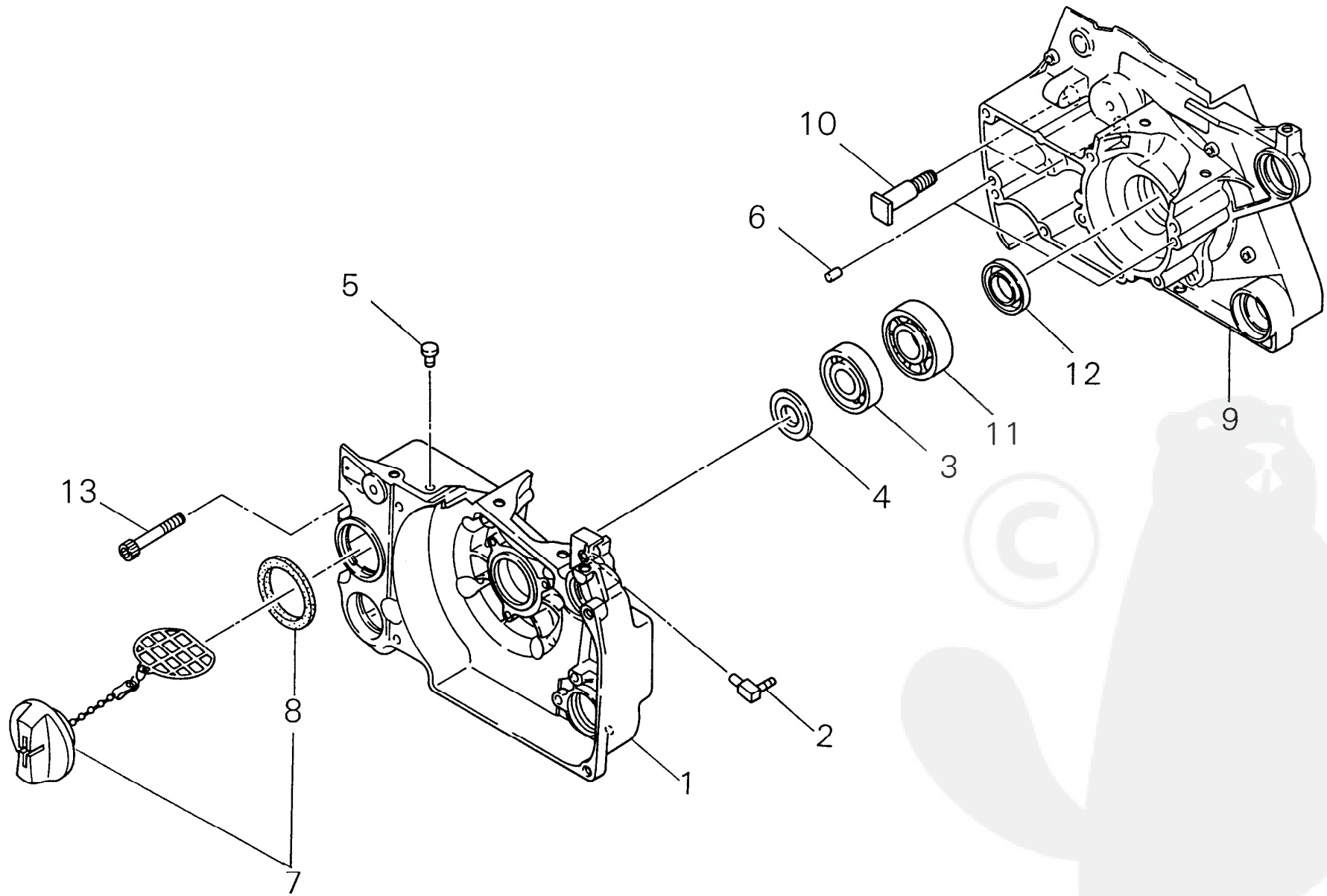
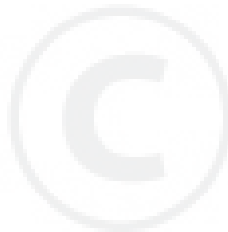


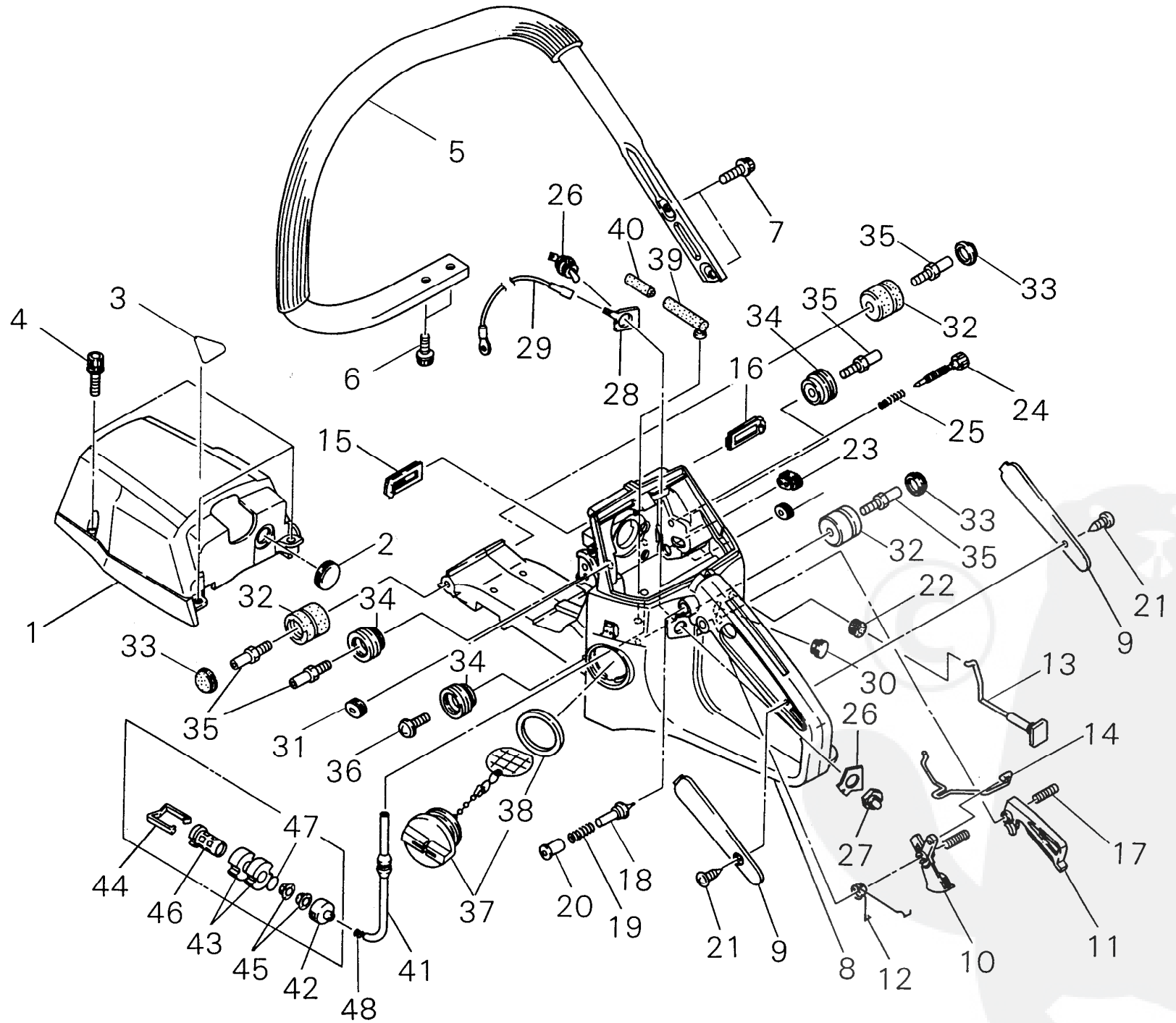
Ref. No	Part No.	Part Name	Q'ty
1- 1	22169-12111	CYLINDER	1
2	22169-12120	GASKETCYLINDER	1
3	22169-12190	BOLT	4
4	22169-12140	BAFFLEPLATE	1
5	22150-12152	BOOT	1
6	22150-12170	SLEEVE	1
7	22150-12180	BRACKET	1
8	01201-04160	SCREW	2
	72332-15102	MUFFLERSUBASSY	1
9	72332-15112	*MUFFLER	1
10	72332-15130	*TAILPIPE	1
11	22169-15170	*TAILPLATE	1
12	11203-05080	*SCREWPM	2
13	22169-15212	GASKETMUFFLER	1
14	22169-15220	BOLT	4



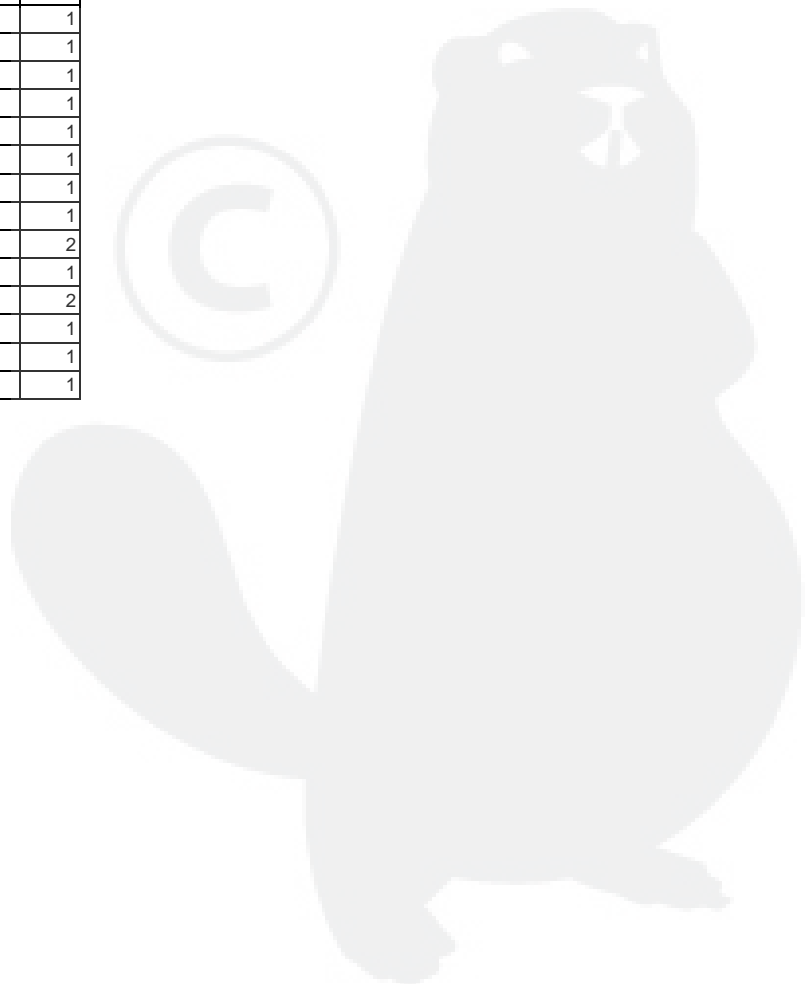
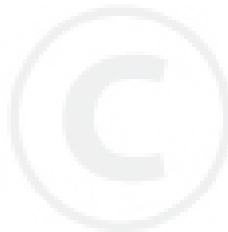


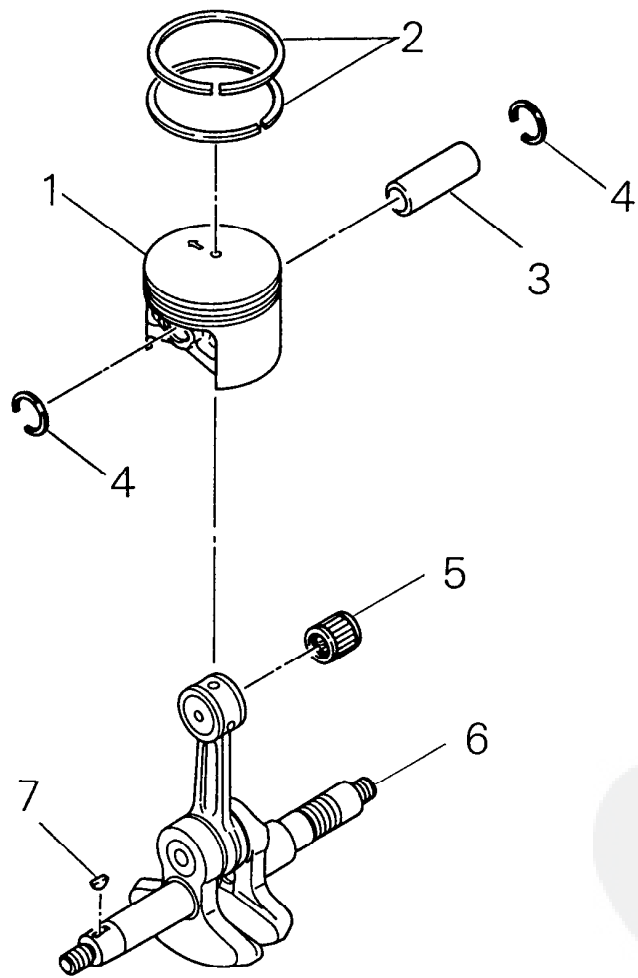
2-	22169-21203	CRANKCASEMCOMP	1
1	22169-21212	*CRANKCASEM	1
2	22150-21220	*PULSEJOINT	1
3	02030-06202	*BEARING	1
4	22155-21630	*OILSEAL	1
5	22115-57120	*VALVEOILTANK	1
6	12492-50100	*ROLLER	2
7	22169-21300	CAPASSY	1
8	22160-33821	*GASKET	1
	22169-21503	CRANKCASECCOMP	1
9	22169-21512	*CRANKCASEC	1
10	22169-21520	*BOLTBAR	2
11	02030-06203	*BEARING	1
12	22169-21630	*OILSEAL	1
13	22169-21910	BOLT	7



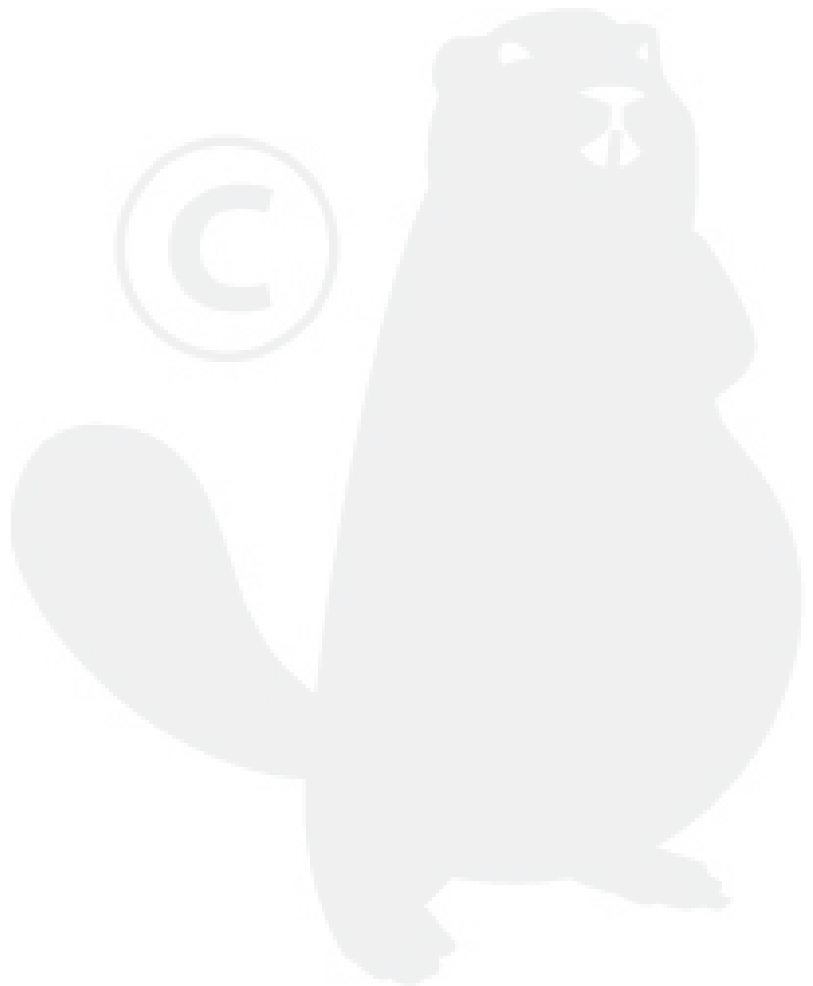


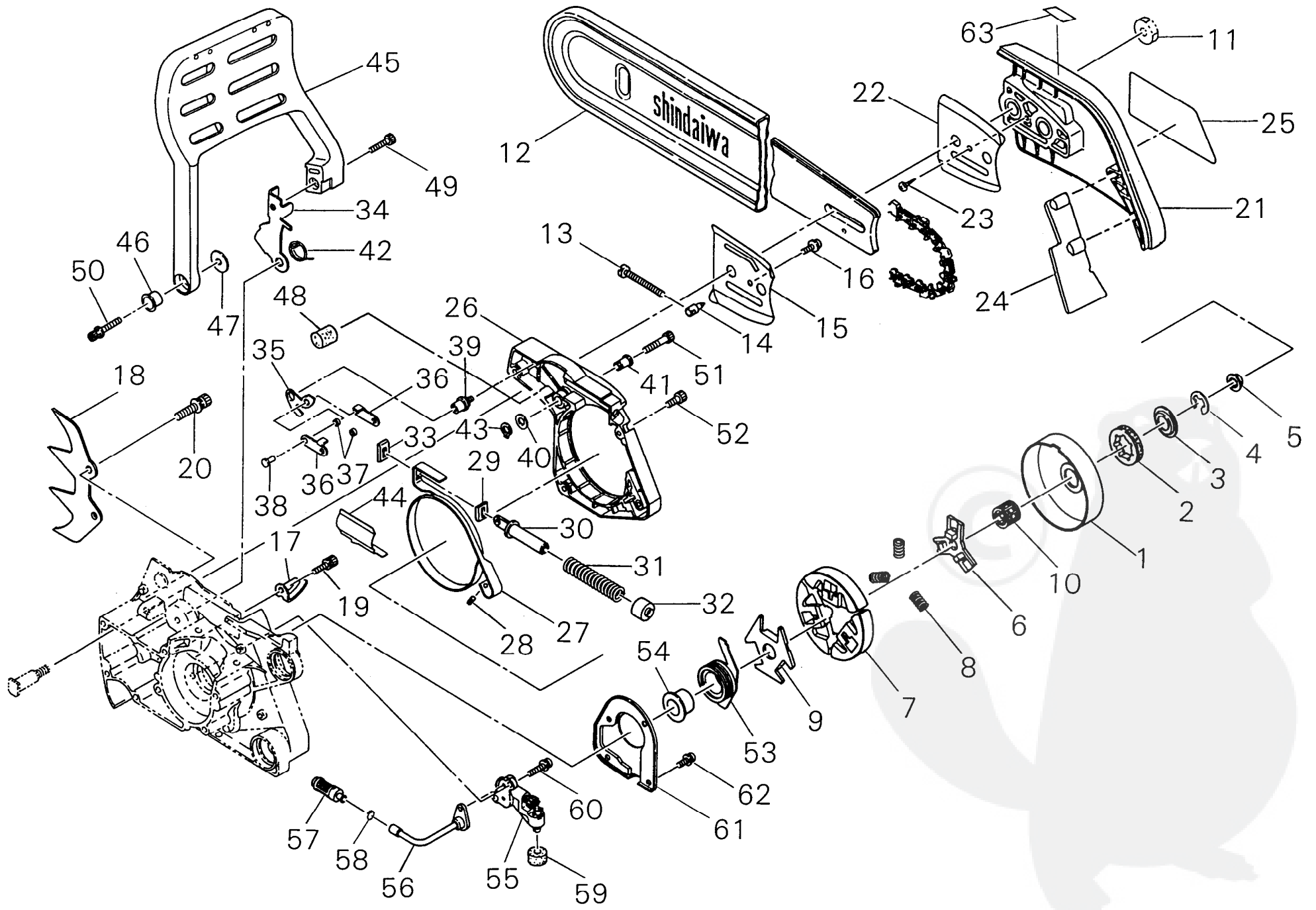
3-1	22169-31110	CYLINDERCOVER	1
2	22102-32140	PLUGBRACKET	1
3	19402-00083	LABELCAUTION	1
4	22169-31250	BOLTSPW	3
5	22169-32112	FRONTHANDLE	1
6	22169-32210	BOLTPC	2
7	22169-32220	BOLTPC	2
	22169-33102	REARHANDLESUBASSY	1
8	22169-33201	*REARHANDLE	1
9	22169-33310	*PLATEGRIP	2
10	22169-33321	*THROTTLELEVER	1
11	22169-33330	*LOCKLEVER	1
12	22150-33340	*SPRINGLEVER	1
13	22150-82120	*CHOKEROD	1
14	22169-33360	*THROTTLE ROD	1
15	22169-33380	*SUBCLEANER	1
16	22169-33390	*PLUG	1
17	12420-50284	*SPRINGPIN	2
18	72171-33170	*STOPPER	1
19	22100-33180	*SPRING	1
20	22100-33190	*KNOBSTOPPER	1
21	01280-04102	*SCREWTAPPING	2
22	22150-33410	GROMMETCHOKE	1
23	22150-33420	GROMMETCARBURETOR	1
24	22155-33450	ADJUSTSCREW	1
25	22155-33460	SPRINGADJUST	1
26	22155-33501	SWITCHASSY	1
27	22155-33530	*NUT	1
28	22169-33540	EARTHPLATE	1
29	22169-33550	EARTHCORD	1
30	22150-33630	PLUG	1
31	22150-33640	GROMMET	2
32	72332-33710	CUSHION26	3
33	22150-33720	PLUG26	3
34	72332-33740	CUSHION	3
35	22169-33770	STOPPERBOLT	5
36	22160-32210	SCREWPC	1
37	22160-33801	CAPASSY	1
38	22160-33821	*GASKET	1
39	22169-33940	PIPE	1
40	22157-33950	ELEMENT	1
41	22169-34110	FUELPIPE	1
	22169-35400	FUELFILTERSUBASSY	1
42	22128-85410	*WEIGHTFUEL	1
43	22169-35420	*FILTER	2
44	22128-85440	*CLIPFILTER	1
45	22118-85460	*SCREEN	2
46	22128-85470	*SLEEVE	1
47	22128-85480	*RING	1
48	20020-85540	CLIP	1





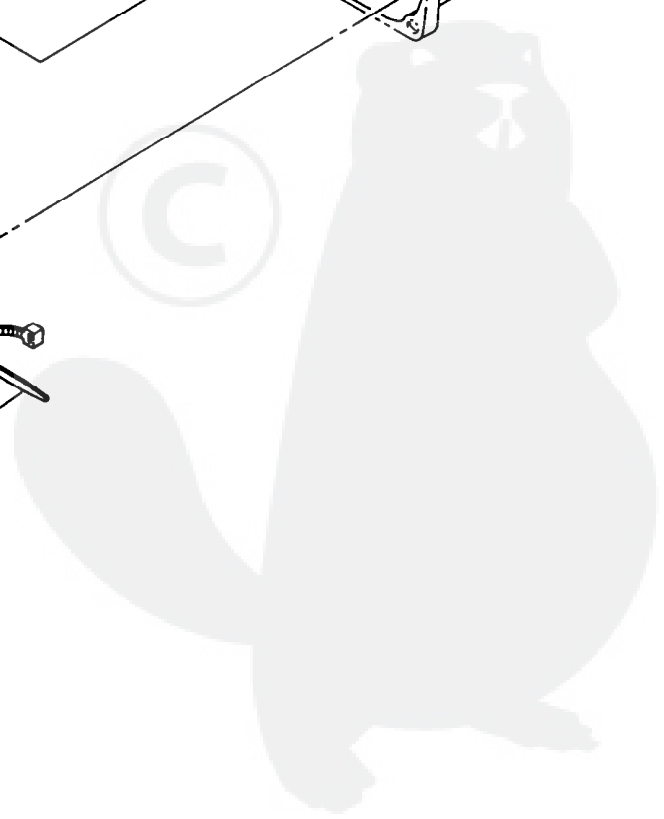
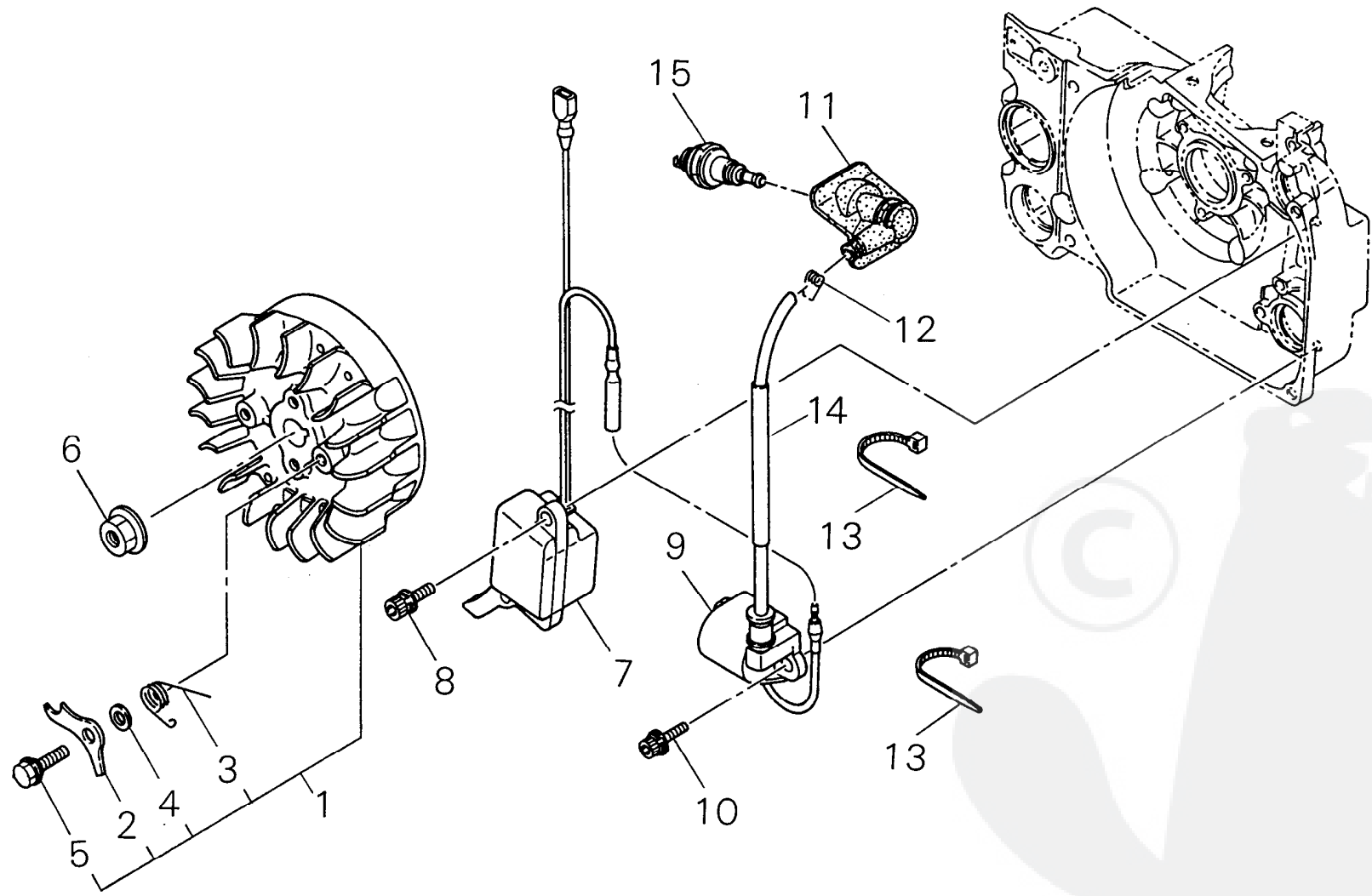
4-1	22169-41111	PISTON	1
2	22169-41210	PISTONRING	2
3	22169-41220	PISTONPIN	1
4	22155-41230	SNAPRING	2
5	22155-41281	BEARINGSE	1
6	22169-42000	CRANKSHAFTASSY	1
7	02403-03100	KEY	1



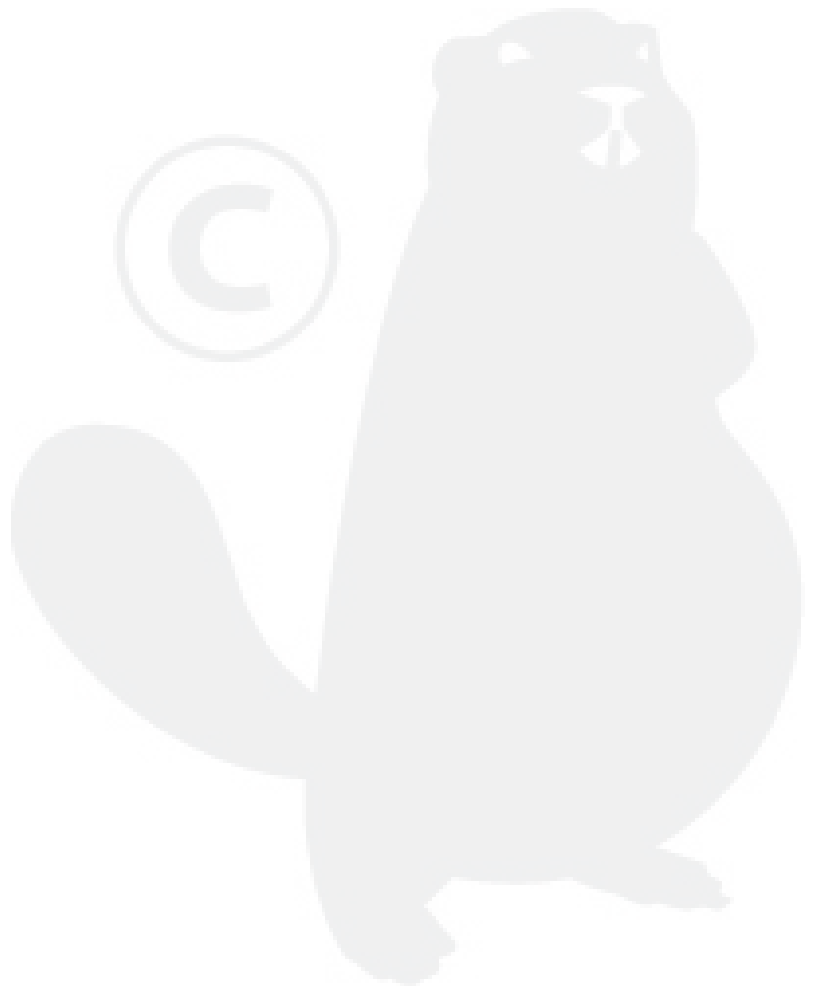


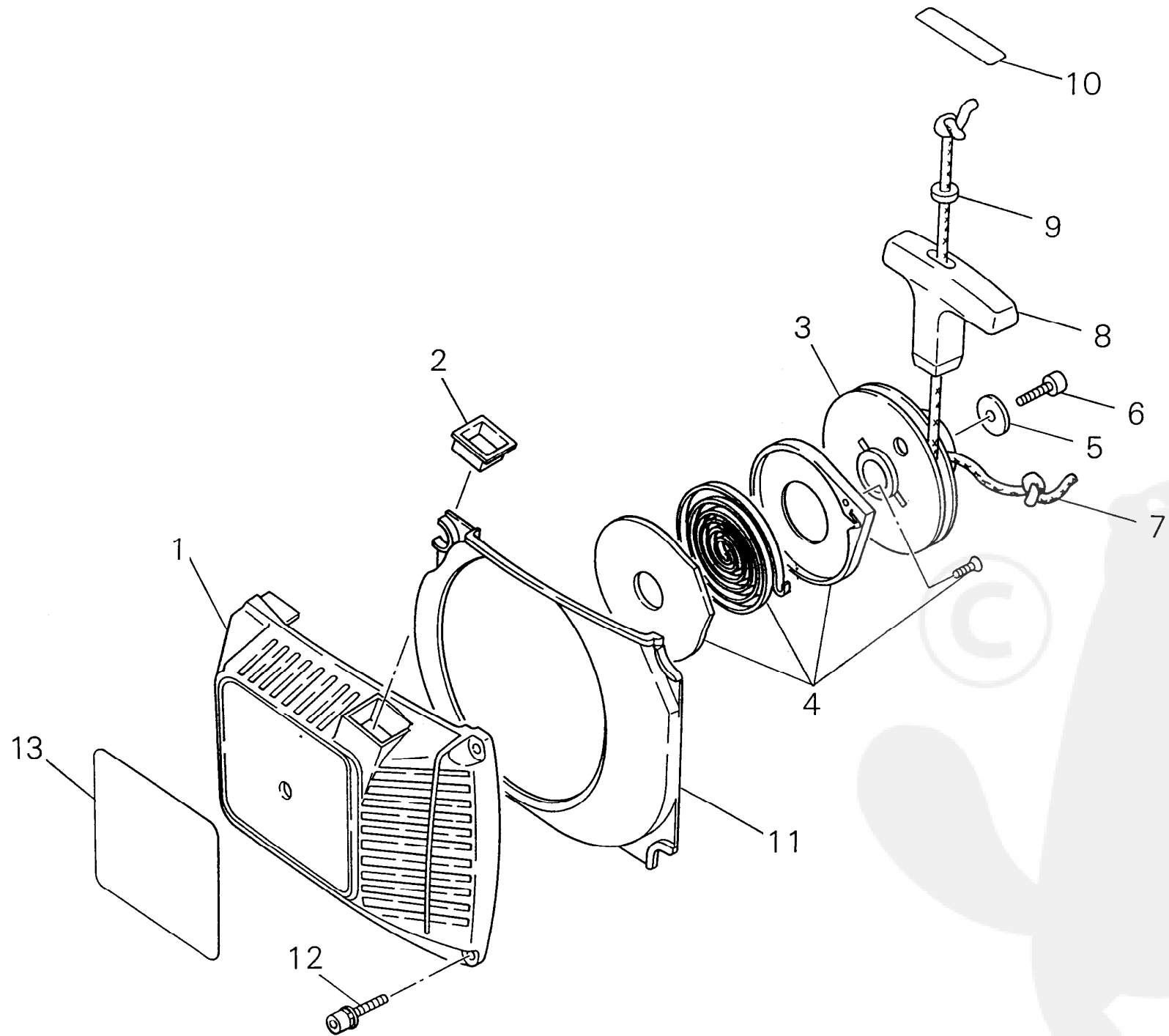
5-	22169-51100	CLUTCHDRUMASSY	1
1	22169-51110	*CLUTCHDRUM	1
2	22150-51520	*RIM	1
3	22169-51130	*WASHER	1
4	22169-51140	*SNAPRING	1
5	22169-51170	*NUT	1
	72332-51200	CLUTCHASSY	1
6	22169-51210	*CLUTCHBOSSA	1
7	72332-51220	*CLUTCHSHOE	3
8	22150-51230	*CLUTCHSPRING	3
9	22169-51240	*CLUTCHBOSSB	1
10	22150-51310	BEARING	1
11	22154-52410	NUT	2
12	19600-84100	CHAINCOVER	1
13	22169-53310	SLIDESCREW	1
14	22150-52440	SLIDEPIECE	1
15	22169-52460	GUIDEPLATEA	1
16	11205-04100	SCREWMPW	1
17	22169-52510	CHAINCATCHER	1
18	22150-97320	LONGSPIKE	1
19	11022-05200	BOLTSPW	1
20	22157-12130	BOLT	2
21	22169-53111	CLUTCHCOVER	1
22	22169-53120	GUIDEPLATEB	1
23	01280-04102	SCREWTAPPING	1
24	22169-53140	PROTECTOR	1
25	22169-92170	NAMEPLATEC	1
	72339-54100	BRAKEASSY	1
26	22169-54112	*BRAKEHOLDER	1
27	72332-54210	*BRAKEBAND	1
28	02427-40105	*PIN	1
29	72316-54310	*ADJUSTPLATE	1
30	72332-54321	*SPRINGHOLDER	1
31	72316-54230	*BRAKESPRING	1
32	22169-54340	*STOPPER	1
33	72332-54350	*ADJUSTPLATE	1
34	72332-54510	*LEVER	1
35	72332-54520	*INNERLEVER	1
36	22169-54540	*TIESTRAP	2
37	22169-54550	*COLLER	2
38	22169-54570	*RIBET	2
39	22169-54580	*BOLTLEVER	1
40	01613-08160	*WASHER	1
41	22169-54620	*SPACER	1
42	22169-54630	*SPRINGLEVER	1
43	02430-08080	*SNAPRING	1
44	22169-54640	*SPRINGCOVER	1
45	72332-54650	*GUARD	1
46	22169-54660	*SPACER	1
47	22169-54670	*WASHER	1
48	22169-54690	*STOPPER	1
49	11022-05200	*BOLTSPW	1
50	11022-05200	*BOLTSPW	1
51	01020-05250	*BOLT	1
52	01020-04120	*BOLT	4
53	22169-55110	GEAR	1
54	22169-55130	COLLER	1
55	22169-55200	OILPUMPASSY	1
56	22169-55310	OILPIPE	1
57	22169-57360	OILFILTER	1
58	22154-85540	CLIPOIL	1
59	22169-55430	FILTER	1
60	11205-04160	SCREWPM	2
61	22169-56110	PUMPCOVER	1
62	11205-04100	SCREWMPW	4
63	19401-00093	LABELINST	1





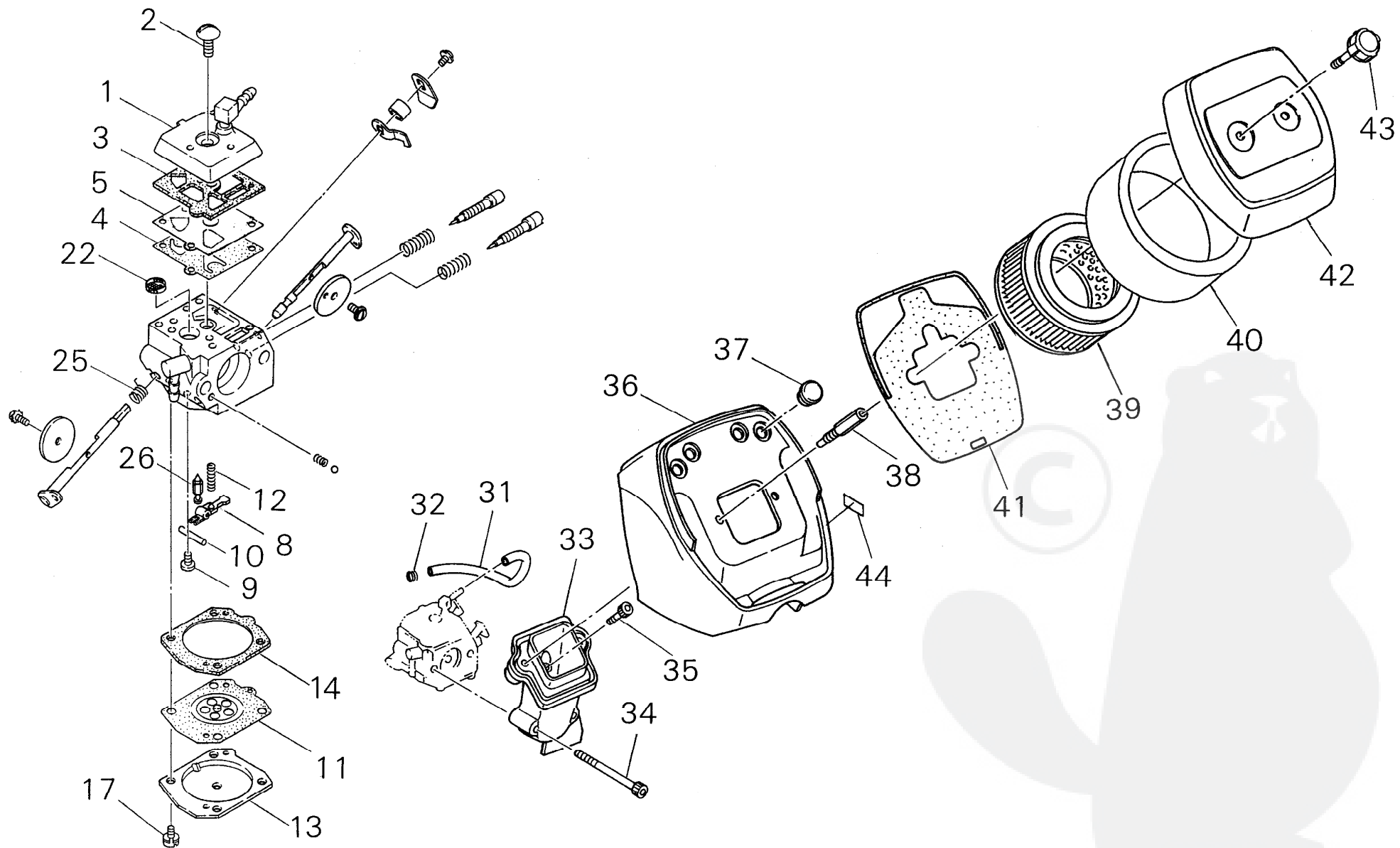
6-1	22169-71100	ROTORASSY	1
2	22150-71120	*RATCHET	2
3	22155-71130	*SPRINGRACHET	2
4	22100-71430	*WASHER	2
5	22100-71441	*BOLT	2
6	22169-71460	NUT	1
7	22169-71510	EXCITECOIL	1
8	11022-05200	BOLTSPW	2
9	22169-71700	IGNITIONCOIL	1
10	11022-04160	BOLTSPW	2
11	22169-72220	PLUGCAP	1
12	20000-72230	SPRINGSPARKPLUG	1
13	15210-12305	BAND	2
14	22155-72280	PIPECORDB	1
15	13000-13507	SPARKPLUGBPMR7A	1



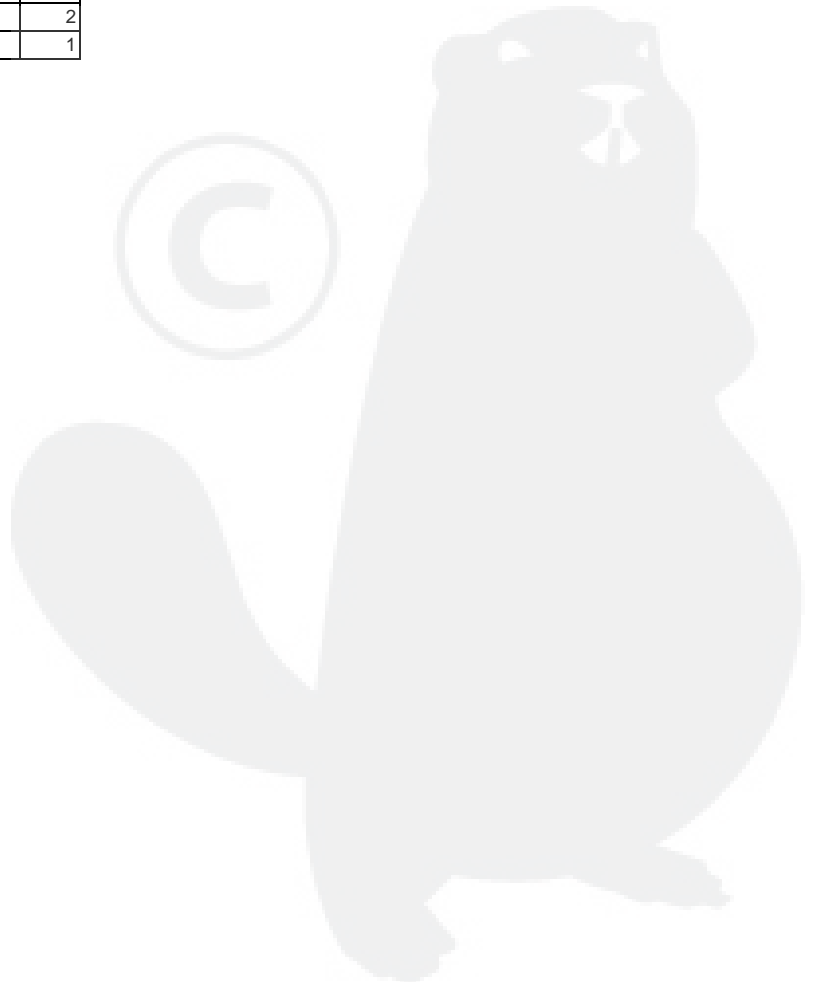


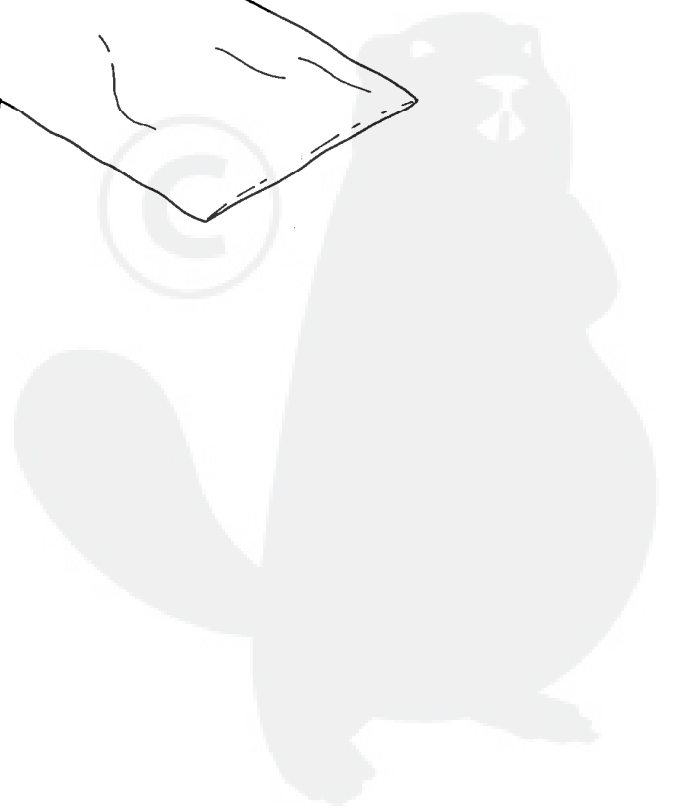
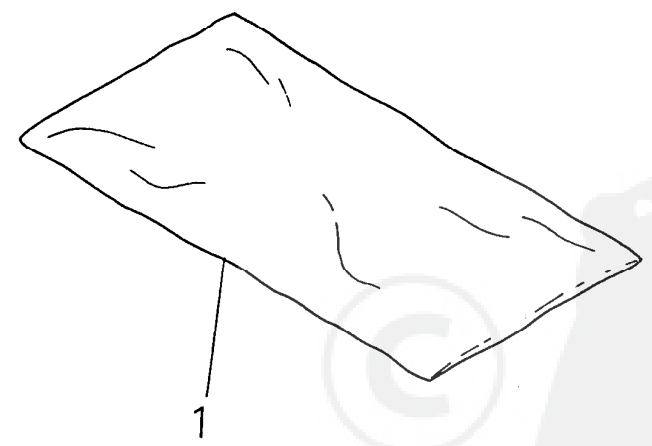
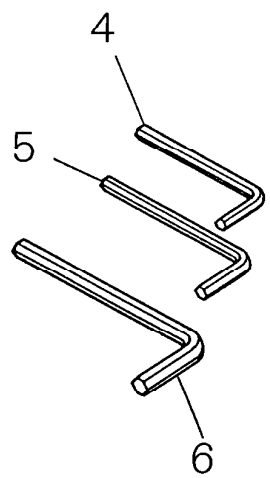
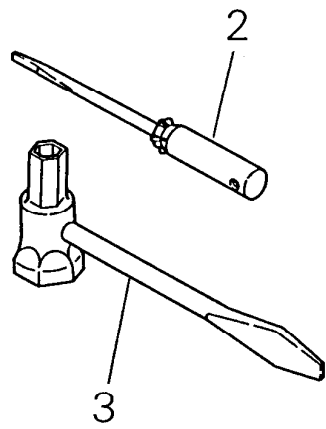
7-	22169-75101	RECOILSTARTERSUBASSY	1
1	22169-75211	*RECOILCASE	1
2	22169-75230	**GUIDE	1
3	22150-75310	*REEL	1
4	22155-75410	*RECOILSPRINGASSY	1
5	22150-75450	*WASHER	1
6	01020-05120	*BOLT	1
7	22150-75510	*ROPE	1
8	22150-75520	*KNOBRECOIL	1
9	22150-75530	*STOPPERKNOB	1
10	20010-75230	*TAPE	1
11	22169-75610	AIRPLATE	1
12	22169-31250	BOLTSPW	4
13	22169-92180	NAMEPLATER	1



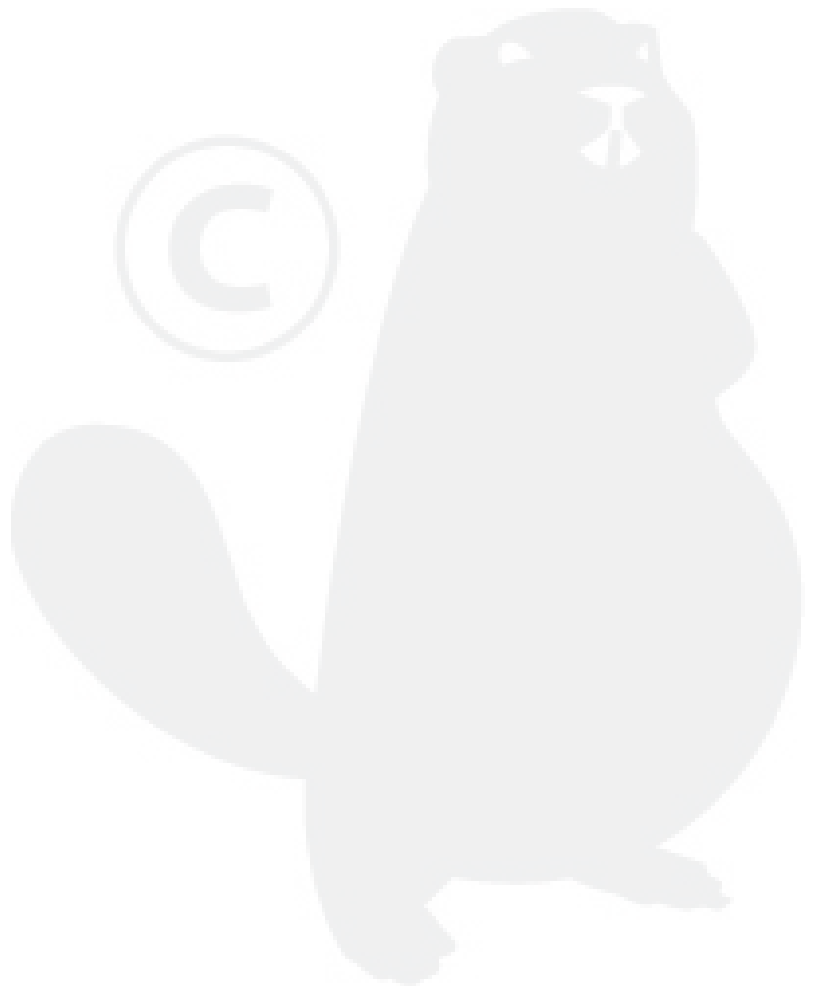


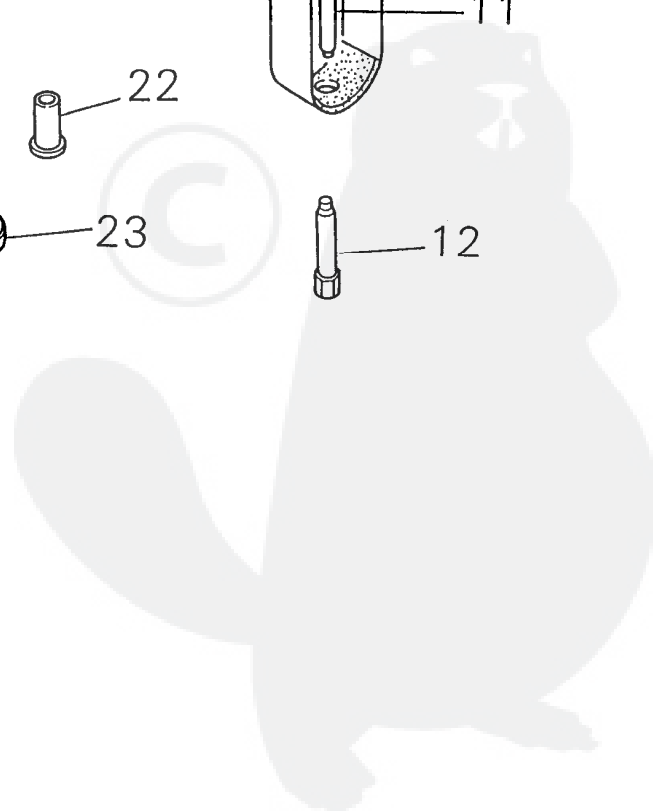
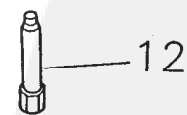
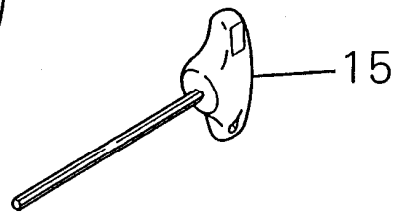
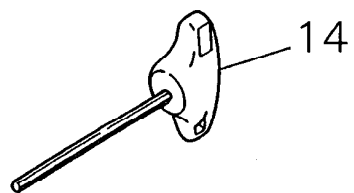
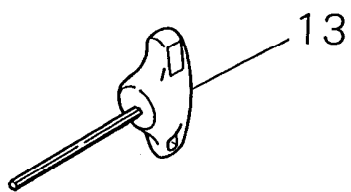
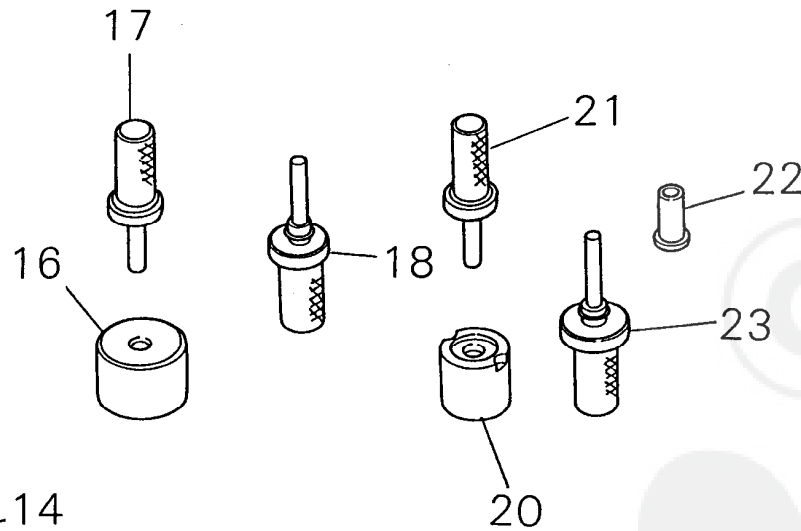
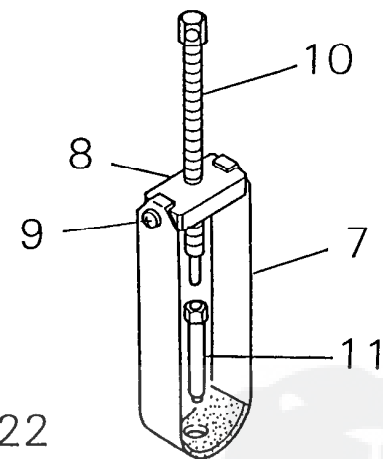
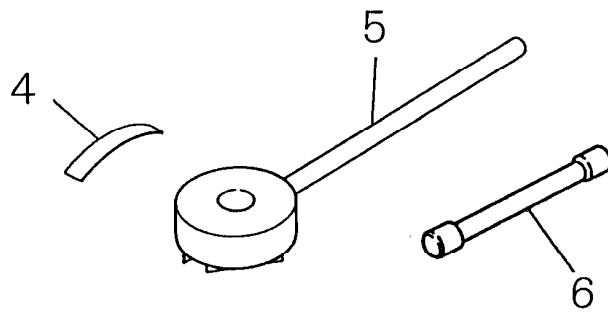
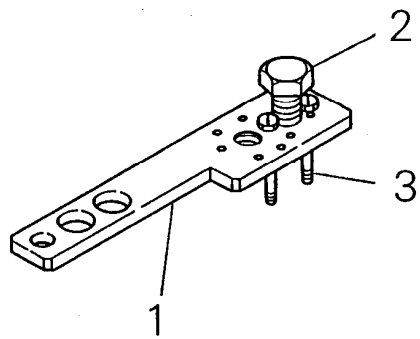
8-	22169-81000	CARBURETORASSY	1
1	22150-81120	*PUMPCOVERASSY	1
2	22150-81130	*SCREW	1
3	22150-81140	*GASKETPUMP	1
4	22169-81150	*DIAPHRAGMPUMP	1
5	22169-81180	*DIAPHRAGMPUMP	1
8	22150-81230	*LEVER	1
9	22100-81240	*SCREW	1
10	22100-81250	*PIN	1
11	22150-81260	*DIAPHRAGMASSY	1
12	22150-81270	*SPRINGLEVER	1
13	22150-81280	*COVERDAIPHRAGM	1
14	22150-81290	*GASKETDIAPHRAGM	1
17	22100-81351	*SCREW	4
22	70030-81380	*SCREEN	1
25	22150-81430	*RETURNSPRING	1
26	20036-81440	*NEEDLEVALVE	1
	22150-81930	GASKETKIT	1
3	22150-81140	*GASKETPUMP	1
14	22150-81290	*GASKETDIAPHRAGM	1
	22169-81940	DIAPHRAGMKIT	1
4	22169-81150	*DIAPHRAGMPUMP	1
5	22169-81180	*DIAPHRAGMPUMP	1
11	22150-81260	*DIAPHRAGMASSY	1
31	22155-82111	PULSEPIPE	1
32	22150-82140	CLIPPULSE	1
33	22169-82210	ELBOW	1
34	11021-05650	BOLT	2
35	11022-05200	BOLTSPW	1
36	22169-82251	CLEANERBASE	1
37	22150-33630	PLUG	4
38	22169-82271	BOLT	2
39	22169-82310	FILTER	1
40	72330-82320	PREFILTER	1
41	72332-82330	SILENCER	1
42	22169-82410	CLEANERCOVER	1
43	22169-82420	KNOBCLEANERCOVER	2
44	19401-00094	LABELINST	1





9-	72330-91000	TOOLSET	1
1	19639-01100	*POLYBAG	1
2	22150-91160	*DRIVER	1
3	22167-91410	*PLUGWRENCH	1
4	09026-03001	*HEXAWRENCH	1
5	09026-04001	*HEXAWRENCH	1
6	09026-05001	*HEXAWRENCH	1





10-	22150-96101	PULLERASSY	1
1	20000-96114	*LEVER	1
2	22100-96121	*CENTERBOLT	1
3	22102-96130	*BOLT	2
4	22155-96220	AIRGAPGAUGE	1
5	22169-96580	PULLER	1
6	22155-96240	PISTONSTOPPER	1
	22169-96300	PULLERASSY	1
7	22155-96310	*PULLER	1
8	22155-96320	*BOSS	1
9	11204-06120	*SCREWPM	2
10	22155-96340	*BOLT	1
11	22169-96350	*PINADAPTER	1
12	22169-96360	*GUIDEPIN	1
13	22155-96521	TWRENCH4	1
14	22155-96531	TWRENCH5	1
15	22155-96540	TWRENCH6	1
16	22169-96410	HOLDERM	1
17	22169-96420	RODOILSEALM	1
18	22169-96430	ROD6202	1
20	22169-96440	HOLDERC	1
21	22169-96450	RODOILSEALC	1
22	22169-96460	COLLAROILSEAL	1
23	22169-96470	ROD6203	1

